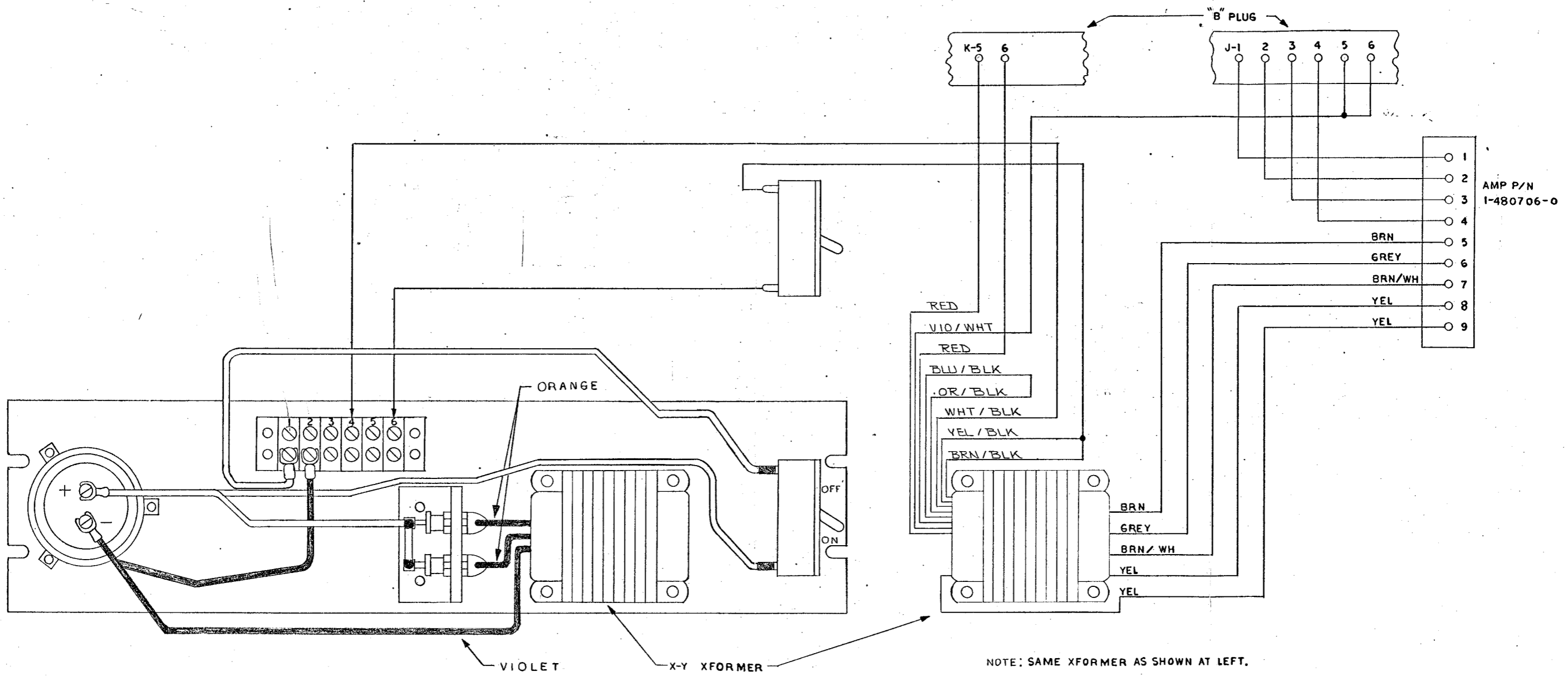


SYM	REVISIONS DESCRIPTION	DATE	APPROVED



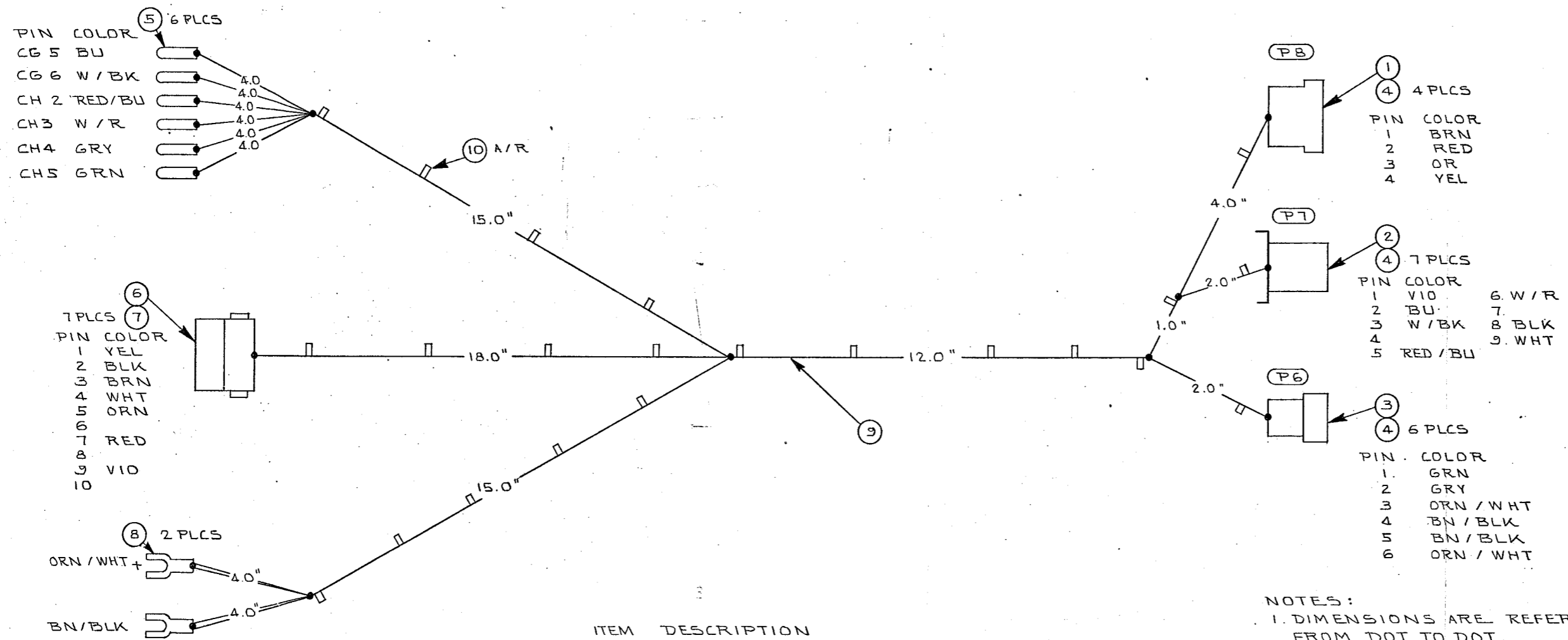
NOTE: SAME XFORMER AS SHOWN AT LEFT.

OUTSTANDING ECNs	

UNLESS OTHERWISE SPECIFIED DIMENSIONS ARE IN INCHES TOLERANCES ON: ANGLES = ±1° X = ±.1 XX = ±.03 SURFACE FINISH = .3XX ± .005	DO NOT SCALE DRAWING DRAWN BY: <i>John M...</i> DATE: <i> </i> CHECKED: <i> </i> ENGINEER: <i>John M...</i> PROJECT ENGINEER: <i> </i> FINISH: <i> </i>	Atari, Inc. 1265 Borregas Avenue Sunnyvale, Calif. 94086 A Warner Communications Company
NEXT ASSY: <i> </i> USED ON: <i> </i> APPLICATION: <i> </i>	TITLE: <b>MODIFIED WIRING DIAGRAM</b> AUXILIARY PWR SUPPLY	SIZE: <b>D</b> DRAWING NO. <i> </i> REV: <i> </i> SCALE: <i> </i> SHEET: <i> </i> OF: <i> </i>

NOTICE TO ALL PERSONS RECEIVING THIS DRAWING  
 CONFIDENTIAL: Reproduction Forbidden without the specific written permission of Atari Inc., Los Gatos, California. This drawing is only conditionally issued, and neither receipt nor possession thereof confers or transfers any right in, or license to use, the subject matter of the drawing or any design or technical information shown therein, nor any right to reproduce this drawing or any part thereof, except for manufacture by vendors for Atari Incorporated and for manufacture under the corporation's written license, no right to reproduce this drawing is granted or the subject matter thereof unless by written agreement with or written permission from the corporation.

SYM	REVISIONS DESCRIPTION	DATE	APPROVED
A	PROTOTYPE RELEASE	9/6/76	



- ITEM DESCRIPTION
- ① PLUG HOUSING 4 CKT MOLEX # 03-09-2042
  - ② PLUG HOUSING 9 CKT MOLEX # 03-09-2091
  - ③ PLUG HOUSING 6 CKT MOLEX # 03-09-2062
  - ④ MALE CONTACT MOLEX # 02-09-2103 (14-20)
  - ⑤ ITT CANNON DL 110238-39
  - ⑥ MATE-N-LOCK AMP 1-480339-0
  - ⑦ MALE CONTACT AMP 60618-1
  - ⑧ CRIMP TERM HH SMITH 4890
  - ⑨ WIRE STRANDED TINNED COPPER UL1015 18AWG
  - ⑩ TIE WRAP (MINIATURE)

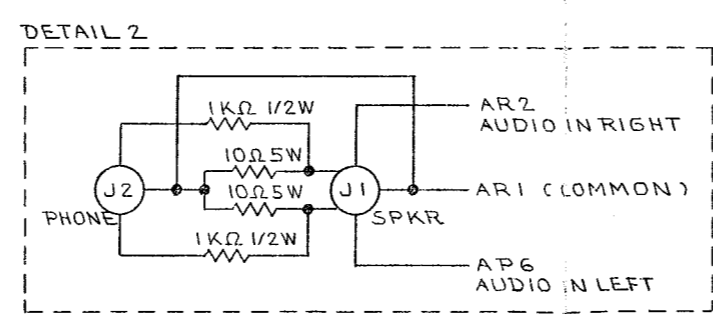
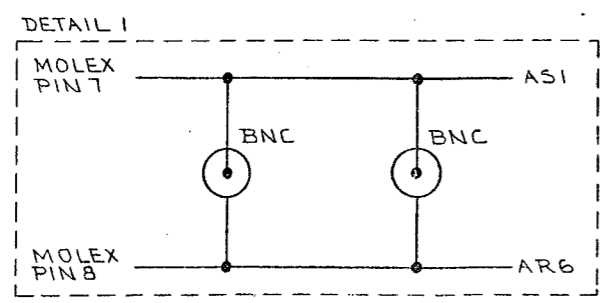
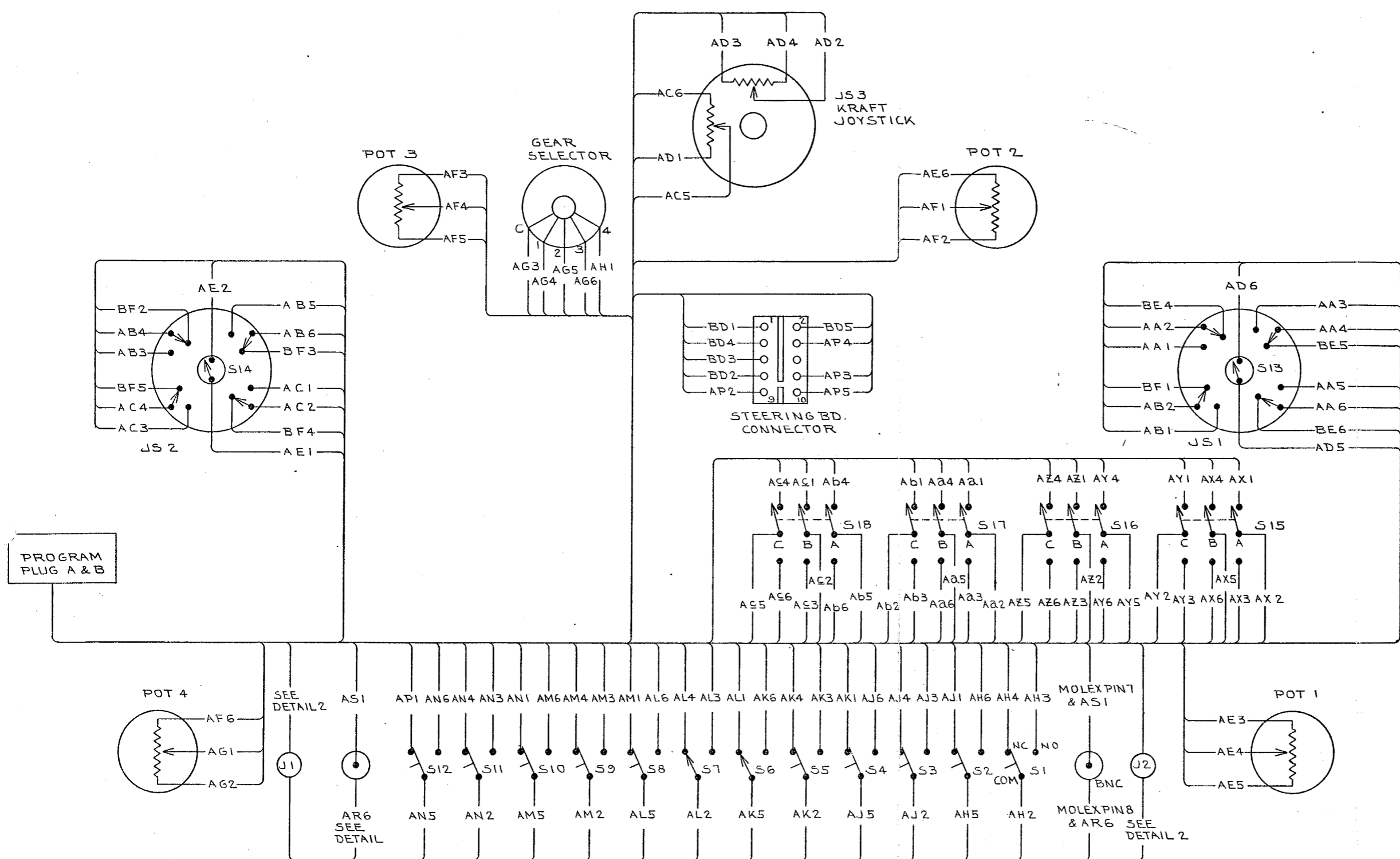
NOTES:  
 1. DIMENSIONS ARE REFERENCED FROM DOT TO DOT.  
 2. INSTALL TIEWRAP AS SHOWN  
 3. ○ DENOTES STATION NUMBER (REFERENCE DESIGNATION)

OUTSTANDING ECNs	

UNLESS OTHERWISE SPECIFIED DIMENSIONS ARE IN INCHES TOLERANCES:	DO NOT SCALE DRAWING	Atari, Inc. 1265 Borregas Avenue Sunnyvale, Calif. 94086 Warner Communications Company
ANGLES ± 1° SURFACE FINISH ✓ MATERIAL: SEE P/L FINISH: NONE	DRAWN BY: S. Chung 9/6/79 DATE: 9/6/79 CHECKED: ENGINEER: PROJECT ENGINEER: MFG ENGINEER:	

NOTICE TO ALL PERSONS RECEIVING THIS DRAWING  
 CONFIDENTIAL. Reproduction Forbidden without the specific written permission of Atari Inc., Los Gatos, California. This drawing is only conditionally issued, and neither receipt nor possession thereof confers or transfers any right in, or license to use, the subject matter of the drawing or any design or technical information shown thereon, nor any right to reproduce this drawing or any part thereof, except for manufacture by vendors for Atari Incorporated and for manufacture under the corporation's written license, no right to reproduce this drawing is granted on the subject matter thereof unless by written agreement with or written permission from the corporation.

SYM	REVISIONS DESCRIPTION	DATE	APPROVED




UNLESS OTHERWISE SPECIFIED DIMENSIONS ARE IN INCHES TOLERANCES OF: ANGLES ± 1° X ± 0.1 XX ± 0.05 XXX ± 0.005
MATERIAL:
FINISH:

DO NOT SCALE DRAWING	
DRAWN BY	DATE
CHECKED	
ENGINEER	
PROJECT ENGINEER	
MFG ENGINEER	

OUTSTANDING ECNS


Atari, Inc.  
1265 Borregas Avenue  
Sunnyvale, Calif. 94085  
A Warner Communications Company

**ATARI**

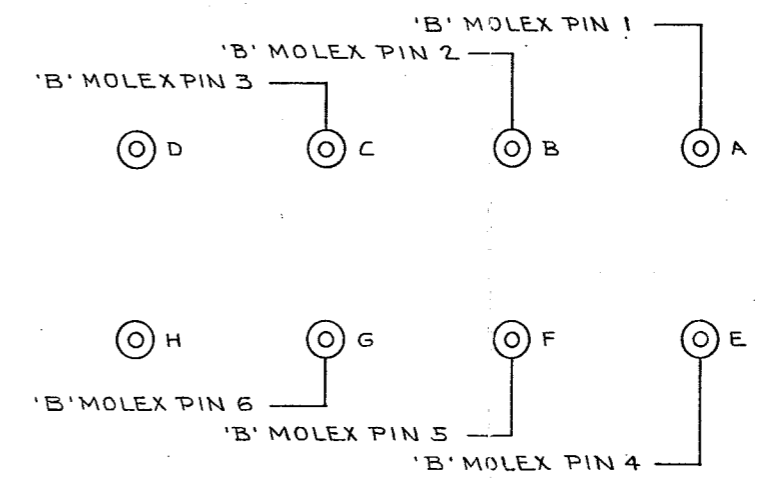
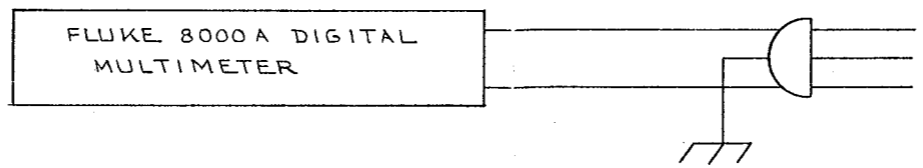
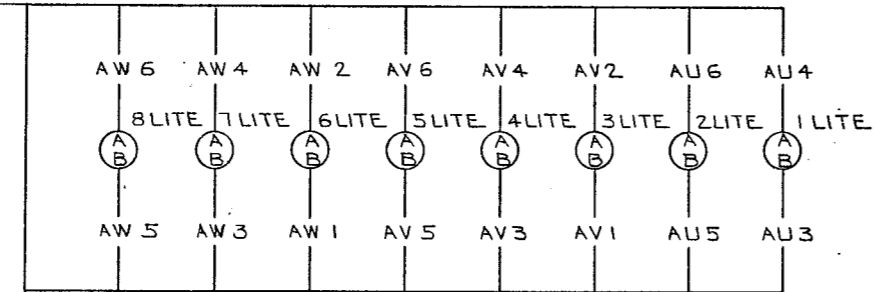
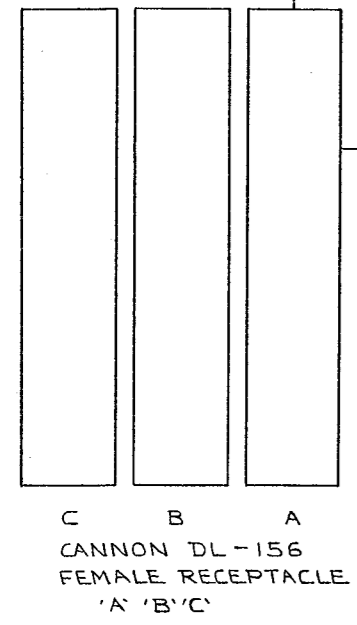
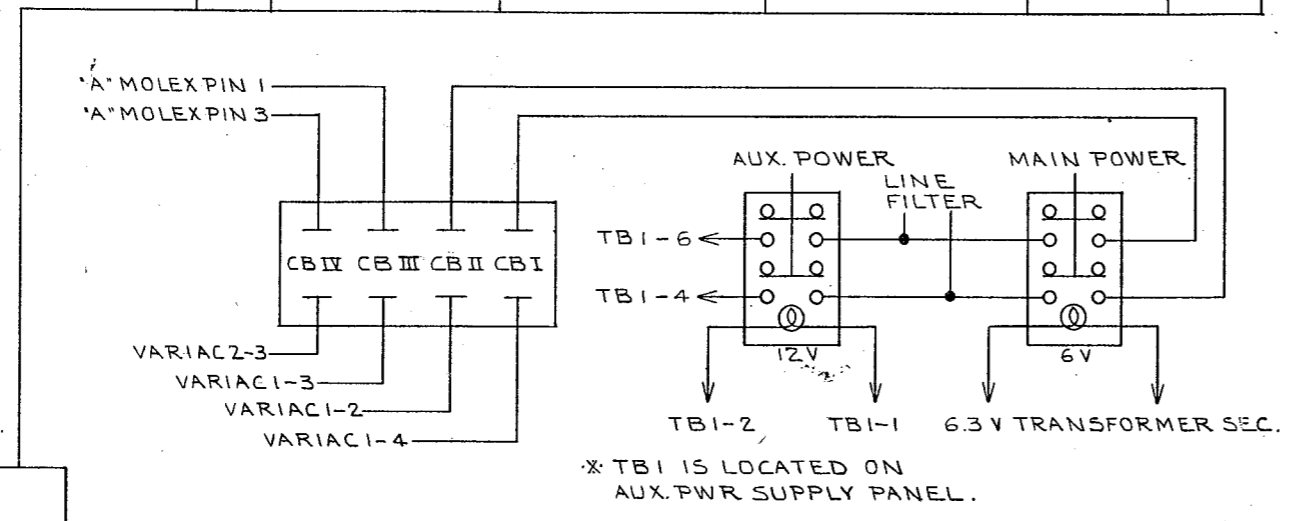
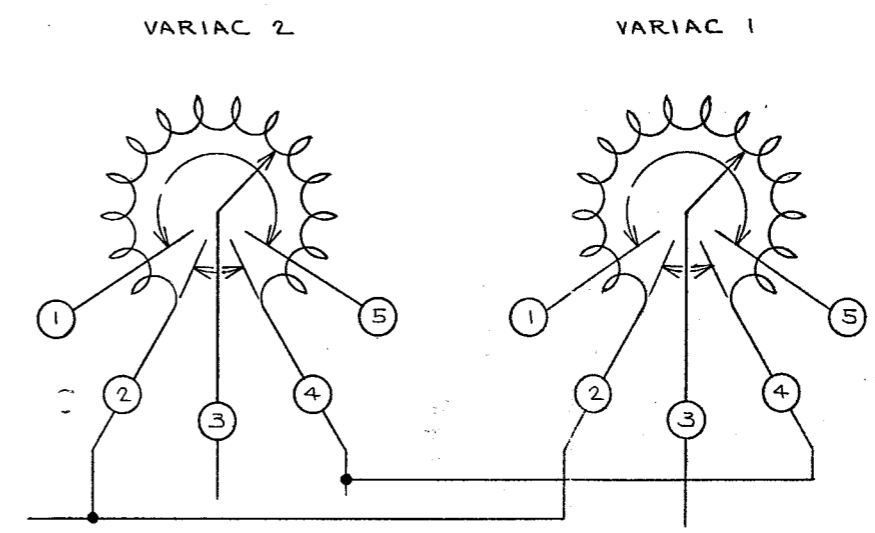
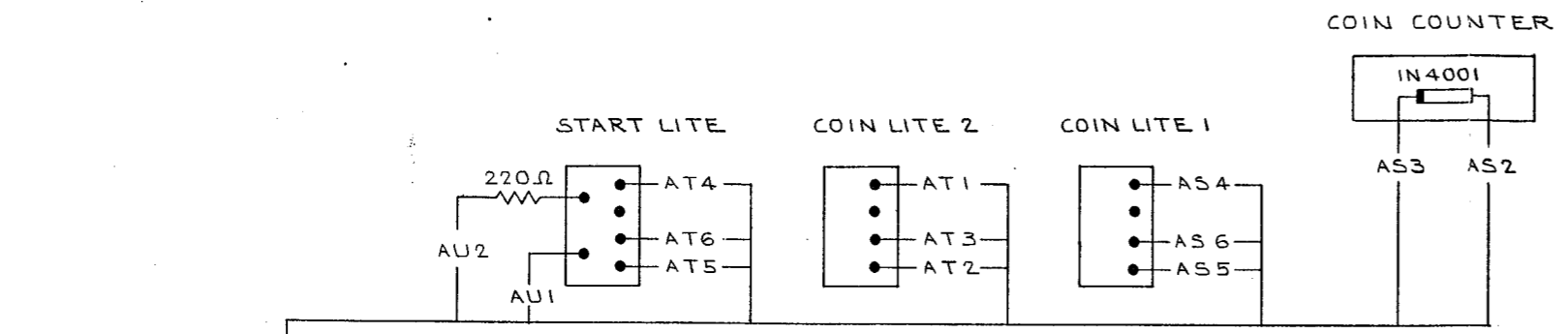
TITLE  
WIRING DIAGRAM  
CONTROL PANEL  
CTS-1

SIZE	DRAWING NO	REV
D		A

SCALE ~ SHEET OF

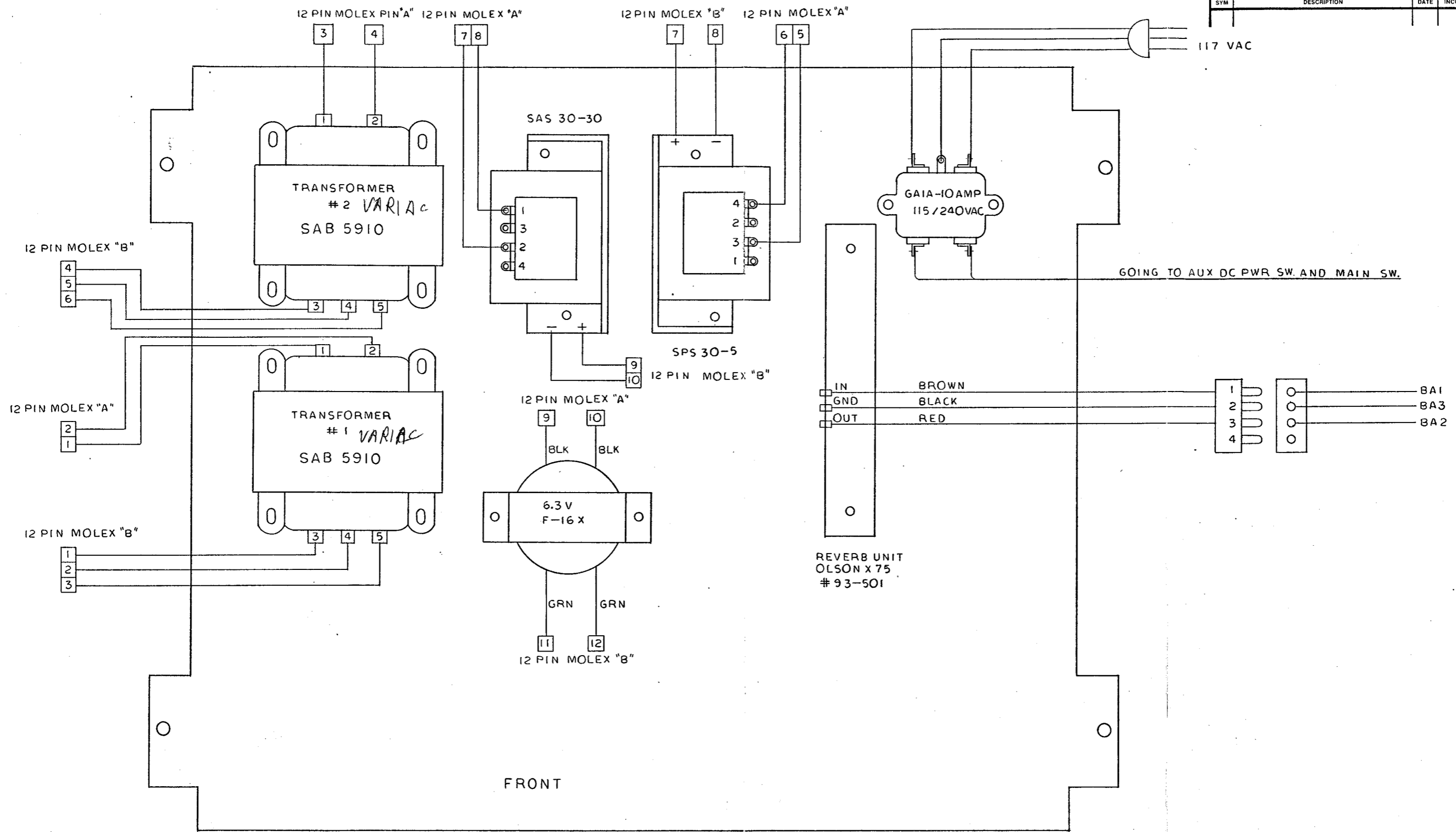
NOTICE TO ALL PERSONS RECEIVING THIS DRAWING  
CONFIDENTIAL: Reproduction Forbidden without the specific written permission of Atari, Inc., Los Gatos, California. This drawing is only conditionally issued, and neither receipt nor possession thereof confers or transfers any right in, or license to use, the subject matter of the drawing or any design or technical information shown thereon, nor any right to reproduce this drawing or any part thereof, except for manufacture by vendors for Atari Incorporated and for manufacture under the corporation's written license, no right to reproduce this drawing is granted or the subject matter thereof unless by written agreement with or written permission from the corporation.

REVISIONS					
SYM	DESCRIPTION	DATE	INCRP	CHECK	APPROVED



<table border="1"> <tr> <td>NEXT ASSY</td> <td>FIRST USED ON</td> </tr> <tr> <td> </td> <td> </td> </tr> <tr> <td>OUTSTANDING ECNS</td> <td> </td> </tr> <tr> <td> </td> <td> </td> </tr> </table>	NEXT ASSY	FIRST USED ON			OUTSTANDING ECNS				<p>DO NOT SCALE DRAWING</p> <p>UNLESS OTHERWISE SPECIFIED DIMENSIONS ARE IN INCHES</p> <p>TOLERANCES ON:</p> <p>ANGLES ±1°</p> <p>SURFACE FINISH ✓</p> <p>MATERIAL:</p> <p>FINISH:</p>	<table border="1"> <tr> <td>DRAWN BY</td> <td>DATE</td> </tr> <tr> <td>Checked by <i>Schung</i></td> <td>1/25</td> </tr> <tr> <td>CHECKED BY</td> <td>DATE</td> </tr> <tr> <td>ENGR, MECH</td> <td>DATE</td> </tr> <tr> <td>ENGR, ELECT</td> <td>DATE</td> </tr> <tr> <td>INDUSTRIAL DESIGN</td> <td>DATE</td> </tr> <tr> <td>HARNES DESIGN</td> <td>DATE</td> </tr> <tr> <td>PROJECT ENGR</td> <td>DATE</td> </tr> <tr> <td>MFG ENGR</td> <td>DATE</td> </tr> </table>	DRAWN BY	DATE	Checked by <i>Schung</i>	1/25	CHECKED BY	DATE	ENGR, MECH	DATE	ENGR, ELECT	DATE	INDUSTRIAL DESIGN	DATE	HARNES DESIGN	DATE	PROJECT ENGR	DATE	MFG ENGR	DATE	<p>Atari, Inc. 1265 Borregas Avenue Sunnyvale, Calif. 94088</p> <p>ATARI</p> <p>TITLE WIRING DIAGRAM MASTER PWR PANEL CTS-1.</p> <table border="1"> <tr> <td>SIZE</td> <td>DRAWING NO.</td> <td>REV</td> </tr> <tr> <td>D</td> <td> </td> <td>B</td> </tr> </table>	SIZE	DRAWING NO.	REV	D		B
NEXT ASSY	FIRST USED ON																																		
OUTSTANDING ECNS																																			
DRAWN BY	DATE																																		
Checked by <i>Schung</i>	1/25																																		
CHECKED BY	DATE																																		
ENGR, MECH	DATE																																		
ENGR, ELECT	DATE																																		
INDUSTRIAL DESIGN	DATE																																		
HARNES DESIGN	DATE																																		
PROJECT ENGR	DATE																																		
MFG ENGR	DATE																																		
SIZE	DRAWING NO.	REV																																	
D		B																																	

REVISIONS					
SYM	DESCRIPTION	DATE	INCP	CHECK	APPROV

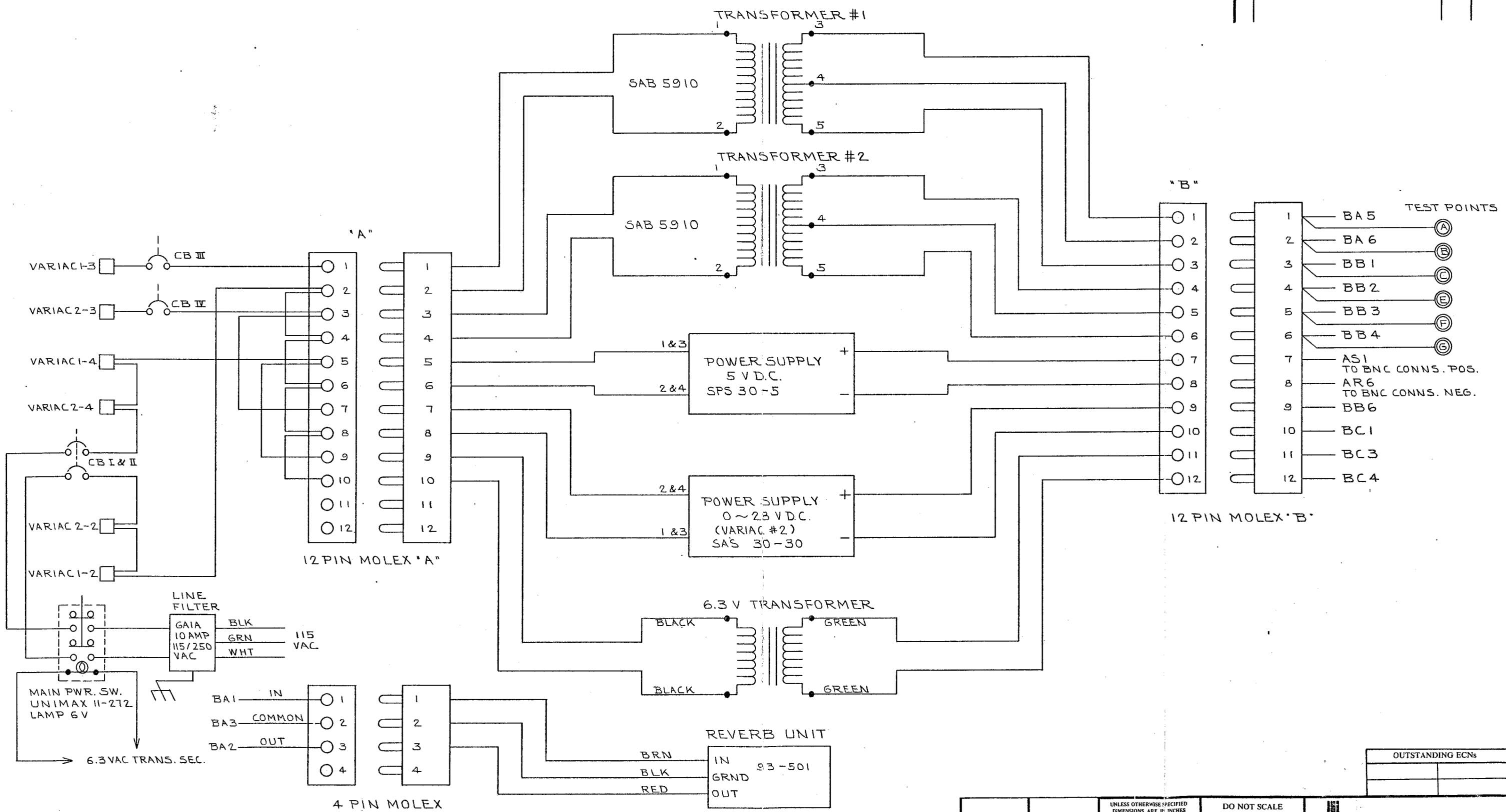


DO NOT SCALE DRAWING	DRAWN BY <i>S. Chung</i>	DATE 3/12	<p>Atari, Inc. 1265 Borregas Avenue Sunnyvale, Calif. 94088</p>
UNLESS OTHERWISE SPECIFIED DIMENSIONS ARE IN INCHES TOLERANCES ON:	CHECKED BY	DATE	
ANGLES ±1°	ENGR. MECH	DATE	TITLE POWER SUPPLY COMPONENT LOCATION
SURFACE FINISH	ENGR. ELECT	DATE	CTS-1
MATERIAL:	INDUSTRIAL DESIGN	DATE	SIZE D
FINISH:	HARNESS DESIGN	DATE	DRAWING NO.
NOTICE TO ALL PERSONS RECEIVING THIS DRAWING CONFIDENTIAL: Reproduction forbidden without the specific written permission of Atari, Inc., Sunnyvale, California. This drawing is only conditionally issued, and neither receipt nor possession thereof confers or transfers any right in, or license to use, the subject matter of the drawing or any design or technical information shown thereon, nor any right to reproduce this drawing or any part thereof, except for manufacture by vendors of Atari, Incorporated and for manufacture under the corporation's written license, no right to reproduce this drawing is granted or the subject matter thereof unless by written agreement with or written permission from the corporation.	PROJECT ENGR	DATE	REV
	MFG ENGR	DATE	SCALE
			SHEET OF

DRAWING NO. SHEET 1/1

C B A

SYM	REVISIONS DESCRIPTION	DATE	APPROVED

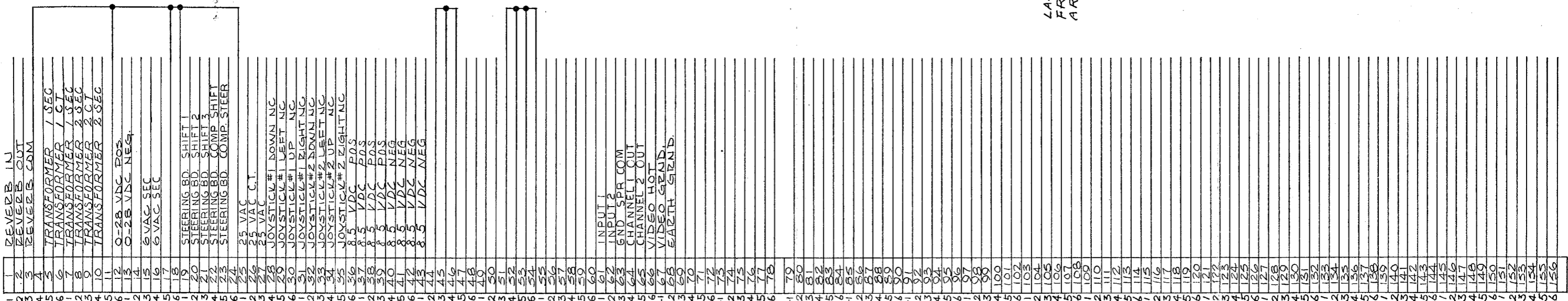


OUTSTANDING ECNs	

UNLESS OTHERWISE SPECIFIED DIMENSIONS ARE IN INCHES TOLERANCES IN:		DO NOT SCALE DRAWING		 Atari, Inc. 1285 Borregas Avenue Sunnyvale, Calif. 94086 A Warner Communications Company
ANGLES ± 1°	3/4 ± .1	DRAWN BY	DATE	
SURFACE FINISH	2/3 ± .005	S. Chung, 12/20		TITLE
MATERIAL:		CHECKED		POWER SUPPLY WIRING DIAGRAM CTS-1
FINISH:		ENGINEER		SIZE
NOTICE TO ALL PERSONS RECEIVING THIS DRAWING CONFIDENTIAL: Reproduction Forbidden without the specific written permission of Atari, Inc., Los Gatos, California. This drawing is only conditionally issued and neither receipt nor possession thereof confers or transfers any right in, or license to use, the subject matter of the drawing or any design or technical information shown thereon, nor any right to reproduce this drawing or any part thereof, except for manufacture by vendors for Atari Incorporated and for manufacture under the corporation's written license. No right to reproduce this drawing is granted or the subject matter thereof unless by written agreement with or written permission from the corporation.		PROJECT ENGINEER		DRAWING NO.
		MFG ENGINEER		REV
		SCALE		SHEET
				OF

PIN LOCATION

PIN LOCATION



5 CONTACT JUMPER

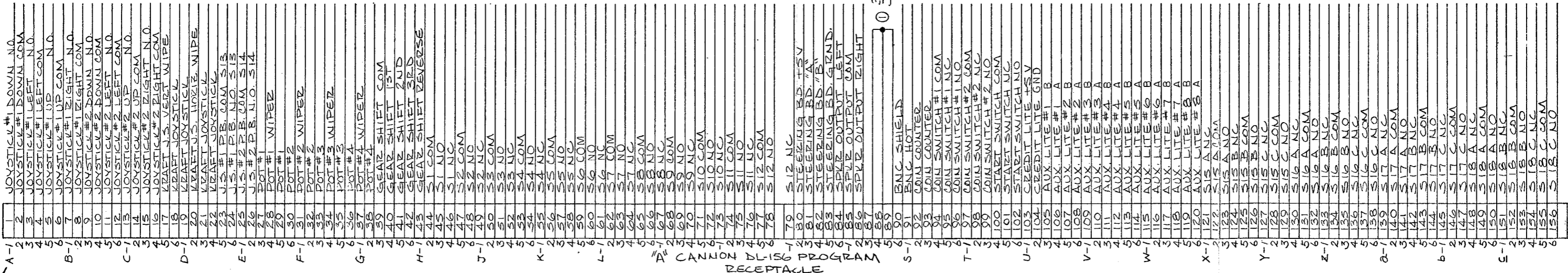
3 CONTACT JUMPER

4 CONTACT JUMPER

LAST 88 PINS FROM 69 TO 156 ARE FOR PROGRAMMING

CANNON DL-156 PROGRAM RECEPTACLE

3 CONTACT JUMPER



CANNON DL-156 PROGRAM RECEPTACLE

REVISIONS				
SYM	DESCRIPTION	INITIALS and DATE		
		DRFTG	CHECK	ENGRG

D

C

B

A

DRAWING NO. SHEET REV.

NOTICE TO ALL PERSONS RECEIVING THIS DRAWING  
 CONFIDENTIAL: Reproduction Forbidden without the specific written permission of Atari Inc., Los Gatos, California. This drawing is only conditionally issued, and neither receipt nor possession thereof confers or transfers any right in, or title to, or the subject matter of the drawing or any design or technical information shown thereon, nor any right to reproduce this drawing or any part thereof, except for manufacture by vendors for Atari Incorporated and for manufacture under the corporation's written license, no right to reproduce this drawing is granted or the subject matter thereof unless by written agreement with or written permission from the corporation.

NEXT ASSY	USED ON
APPLICATION	

INTERPRET THIS DRAWING PER USASI Y145  
 UNLESS OTHERWISE SPECIFIED DIMENSIONS ARE IN INCHES TOLERANCES ON:  
 FRACTIONS = +1/16 . . . +.3  
 ANGLES = ±0° . . . ±.03  
 SURFACE FINISH . . . xxx . . . .010

DRAWN BY: TIM DATE: SEPT 83  
 CHECKED: S. Chung DESIGN ENGINEER  
 PROJECT ENGINEER  
 DOCUMENT CONTROL  
 APPROVED: DSR

ATARI INCORPORATED  
 14600 Winchester Boulevard  
 Los Gatos, California 95030

ATARI

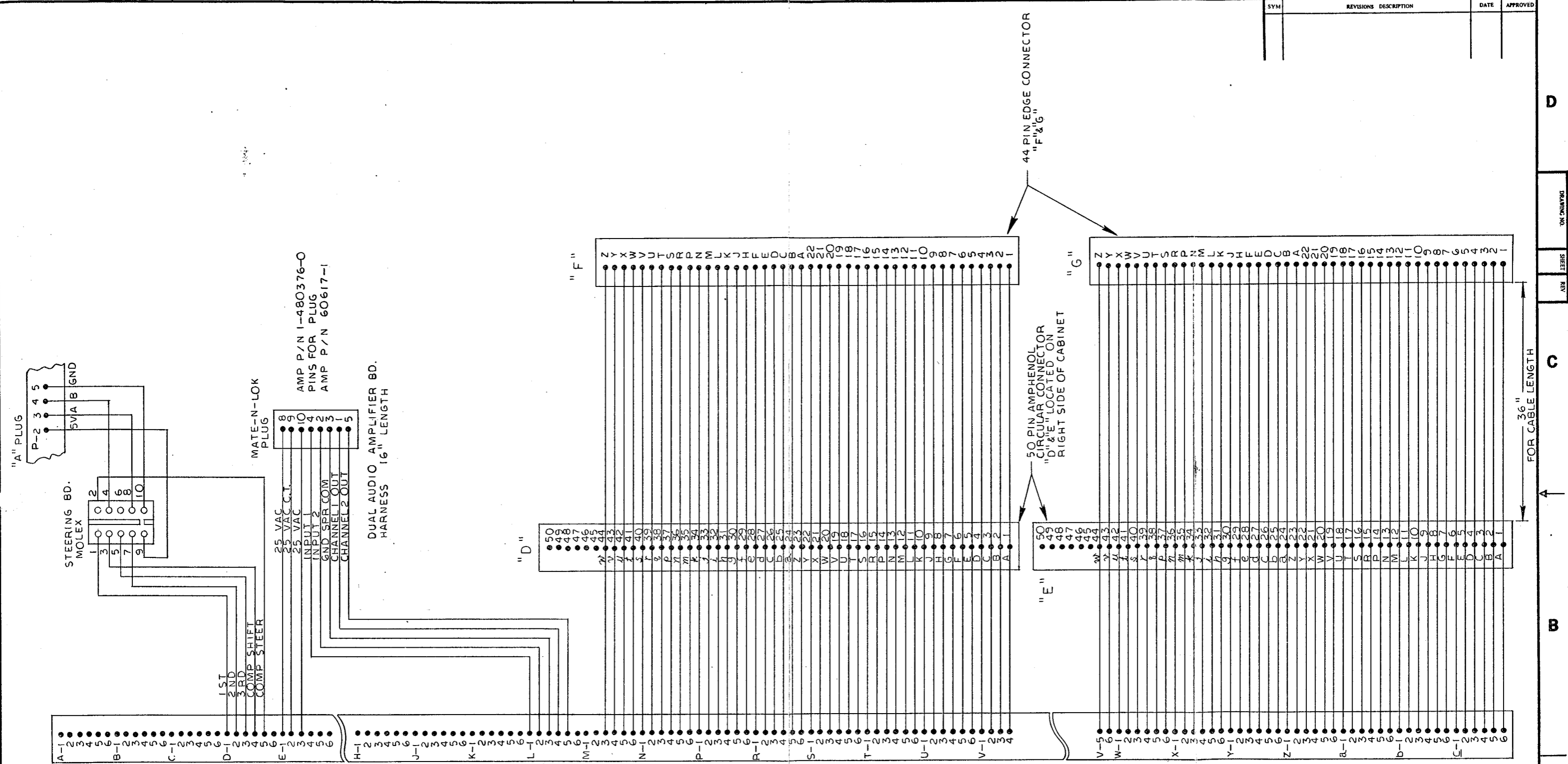
TITLE: PROGRAM PLUG WIZING DIAGRAM

SCALE: N/A

DRAWING NO. REV D

SHEET 1 OF 1

SYM	REVISIONS	DESCRIPTION	DATE	APPROVED



CANNON DL-156 PROGRAM RECEPTACLE  
"B" RECEPTACLE

NEXT ASSY	USED ON
APPLICATION	

UNLESS OTHERWISE SPECIFIED DIMENSIONS ARE IN INCHES TOLERANCE: ON	
ANGLES = 45°	.x = ±.1
SURFACE FINISH	.xx = ±.03
	.xxx = ±.005
MATERIAL:	
FINISH:	

DO NOT SCALE DRAWING	
DRAWN BY	DATE
CHECKED	
ENGINEER	
PROJECT ENGINEER	
MFG ENGINEER	

Atari, Inc.  
1265 Borregas Avenue  
Sunnyvale, Calif. 94086  
A Warner Communications Company

**ATARI**

TITLE  
HARNES DIAGRAM  
CTS-1 **OLD**

SIZE	DRAWING NO.	REV
D		C
SCALE	N/A	SHEET 1 OF 1

NOTICE TO ALL PERSONS RECEIVING THIS DRAWING  
CONFIDENTIAL: Reproduction Forbidden without the specific written permission of Atari Inc., Los Gatos, California. This drawing is only conditionally issued, and neither receipt nor possession thereof confers or transfers any right to, or license to use, the subject matter of the drawing or any design or technical information shown thereon, nor any right to reproduce this drawing or any part thereof, except for manufacture by vendors for Atari Incorporated and for manufacture under the corporation's written license, no right to reproduce this drawing is granted or the subject matter thereof unless by written agreement with or written permission from the corporation.

D  
C  
B  
A

DRAWING NO.  
SHEET  
REV

A



NOTICE TO ALL PERSONS RECEIVING THIS DRAWING  
 CONFIDENTIAL. Reproduction Forbidden without the specific written permission of Atari Inc., Los Gatos, California. This drawing is only conditionally issued, and neither receipt nor possession thereof confers or transfers any right in, or license to use, the subject matter of the drawing or any design or technical information shown thereon, nor any right to reproduce the drawing or any part thereof, except for manufacture by vendors for Atari Incorporated and for manufacture under the corporation's written license. No right to reproduce the drawing is granted or the subject matter thereof unless by written agreement with or written permission from the corporation.

REVISIONS				
ZONE	SYM	DESCRIPTION	DATE	APPROVED

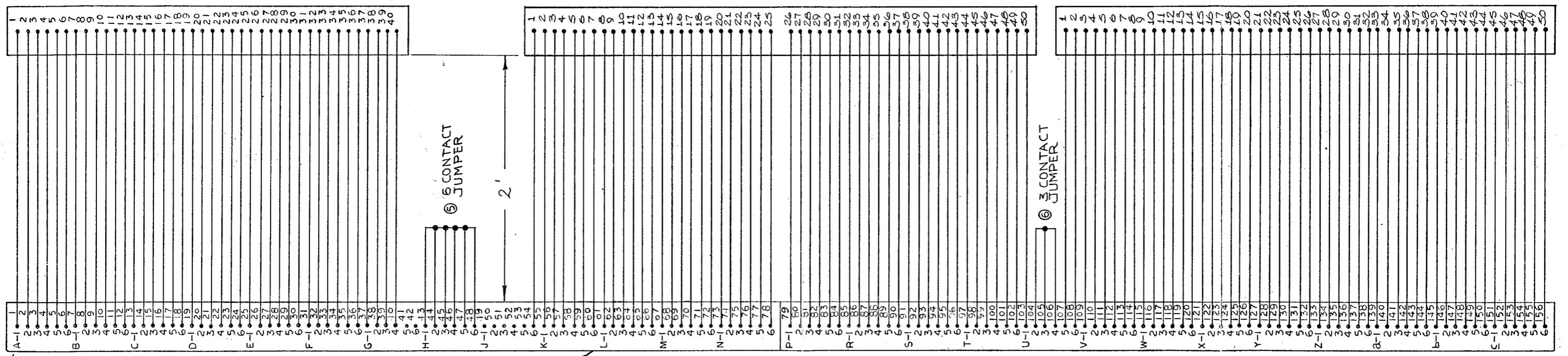
L1-L20  
 See last page

S19-538  
 See last page

P3  
 MINIATURE DUALATCH  
 #58227 H

P2  
 CANNON CONNECTOR DDC-50'S

P1  
 CANNON CONNECTOR DDC-50'S



CANNON DL-156 PROGRAM RECEPTACLE  
 "C" RECEPTACLE

PIN LOCATION

OUTSTANDING ECNs	

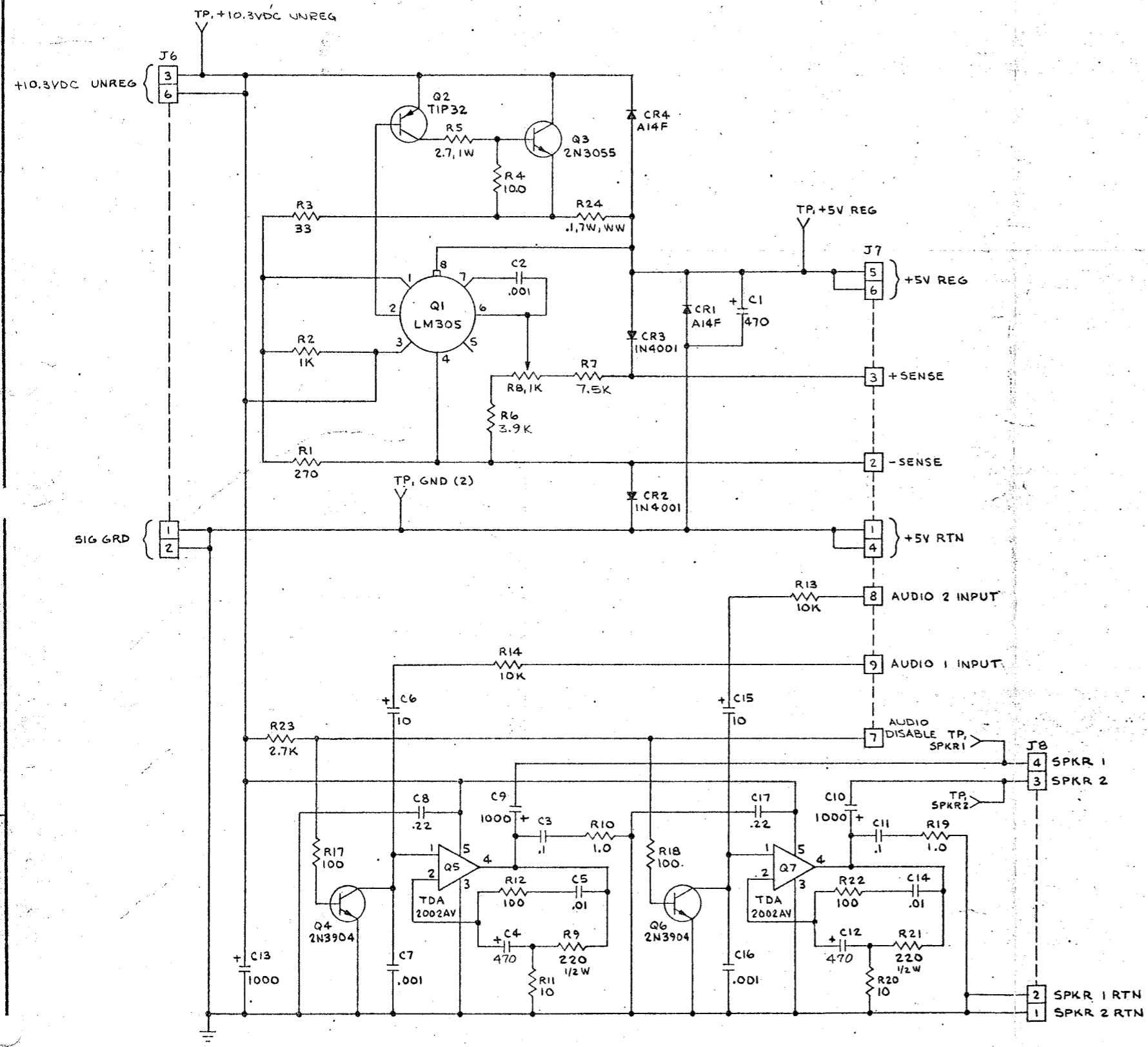
NOTES: UNLESS OTHERWISE SPECIFIED

NEXT ASSY	USED ON
APPLICATION	

UNLESS OTHERWISE SPECIFIED DIMENSIONS ARE IN INCHES TOLERANCES ON:	DO NOT SCALE DRAWING
ANGLES ± 4° SURFACE FINISH	DRAWN BY DATE
MATERIAL:	CHECKED ENGINEER
FINISH:	PROJECT ENGINEER
	MFG ENGINEER

		ATARI INCORPORATED 14600 Winchester Boulevard Los Gatos, California 95030
TITLE <b>PROGRAM PLUG "C"          WIRING DIAGRAM          CTS-1 OLD</b>		
SIZE	DRAWING NO.	REV
D		A
SHEET / OF /		

REVISIONS					
SYM	DESCRIPTION	DATE	INCRP	CHECK	APPROVED
I	PRE-PROD RELEASE				
A	PRODUCTION RELEASE	5/5/79			J.S.M.
B	REV PER ECN 7331	2/28/79			J.S.M.
C	REV PER ECN 7358	2/28/79			J.S.M.
D	REV PER ECN 7379, 7462, 7520	7/2/79			J.S.M.



*Bob Mullenberg*

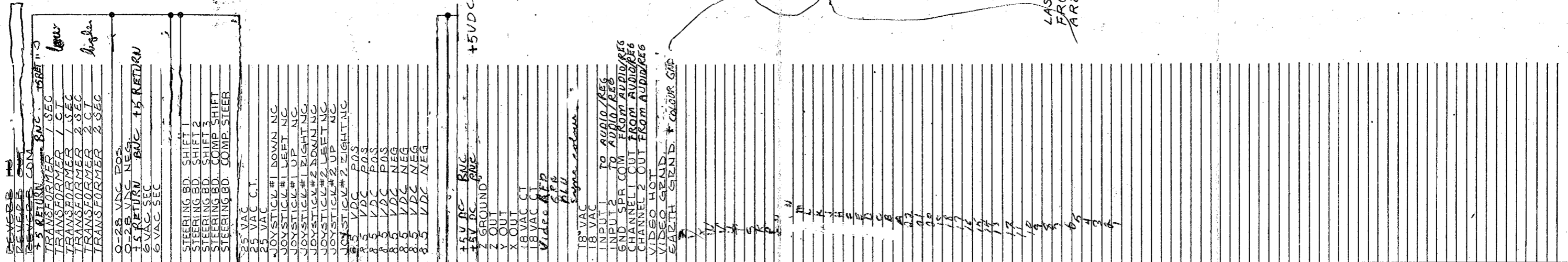
UNIVERSAL	DO NOT SCALE DRAWING	DATE: 2/28/79	 Atari, Inc. 1265 Borregas Avenue Sunnyvale, Calif. 94086 A Warner Communications Company
NEXT ASSY	FIRST USED ON	CHECKED BY: [Signature]	
OUTSTANDING ECNs	UNLESS OTHERWISE SPECIFIED DIMENSIONS ARE IN INCHES TOLERANCES ON:	ENGR. MECH	TITLE: SCHEMATIC, REGULATOR/AUDIO P.C. BD
	ANGLES: ±1°	ENGR. ELECT	SIZE: D
	SURFACE FINISH: ✓	INDUSTRIAL DESIGN	DRAWING NO.: O34485-01
	MATERIAL:	HARNESS DESIGN	REV: D
	FINISH:	PROJECT ENGR: [Signature]	SCALE: NONE
		MEG ENGR: [Signature]	SHEET 1 OF 1

SHORTED REVERB

5 CONTACT JUMPER

3 CONTACT JUMPER

LAST 88 PINS FROM 69 TO 156 ARE FOR PROGRAMMING

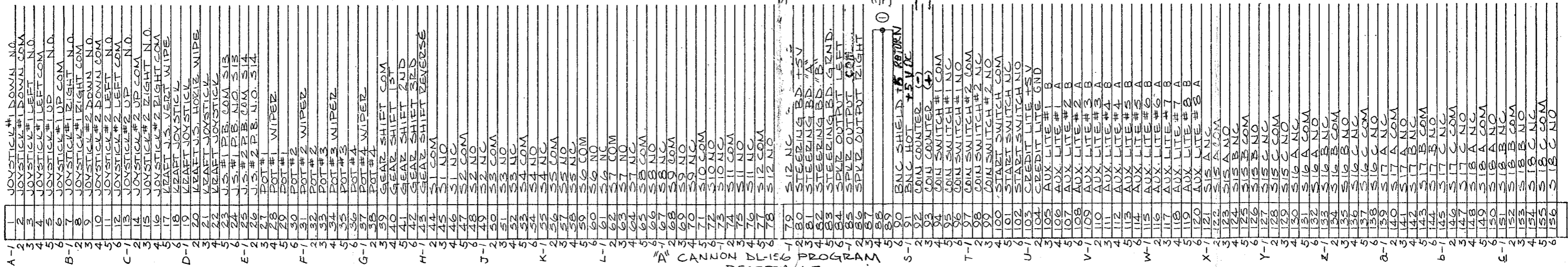


PIN LOCATION

PIN LOCATION

REVISIONS			INITIALS and DATE		
SYM	DESCRIPTION		DRFTG	CHECK	ENGRG
I	PROTOTYPE RELEASE				
A	PRODUCTION RELEASE				
B	MODIFIED FOR X-Y MONITOR				

sc 8/3



PIN LOCATION

NOTICE TO ALL PERSONS RECEIVING THIS DRAWING  
 CONFIDENTIAL: Reproduction Forbidden without the specific written permission of Atari Inc., Los Gatos, California. This drawing is only conditionally issued, and neither receipt nor possession thereof confers or transfers any right in, or license to use, the subject matter of the drawing or any design or technical information shown thereon, nor any right to reproduce this drawing or any part thereof, except for manufacture by vendors for Atari Incorporated and for manufacture under the corporation's written license, no right to reproduce this drawing is granted or the subject matter thereof unless by written agreement with or written permission from the corporation.

NEXT ASSY	USED ON
APPLICATION	

INTERPRET THIS DRAWING PER USASI Y14.5	DRAWN BY <b>TIM</b>	DATE <b>SEPT 83</b>	<p>ATARI INCORPORATED 14600 Winchester Boulevard Los Gatos, California 95030</p>
UNLESS OTHERWISE SPECIFIED DIMENSIONS ARE IN INCHES TOLERANCES ON:	CHECKED	DESIGN ENGINEER	
FRACTIONS = 1/16 .x = .1 ANGLES = 45° .xx = .03 SURFACE FINISH .xxx = .010	PROJECT ENGINEER	DOCUMENT CONTROL	
MATERIAL:	APPROVED <b>DSR</b>	SCALE <b>N/A</b>	
TITLE <b>MODIFIED PROGRAM PLUG WIZING DIAGRAM</b>		DRAWING NO.	

DRAWING ON SHEET REV

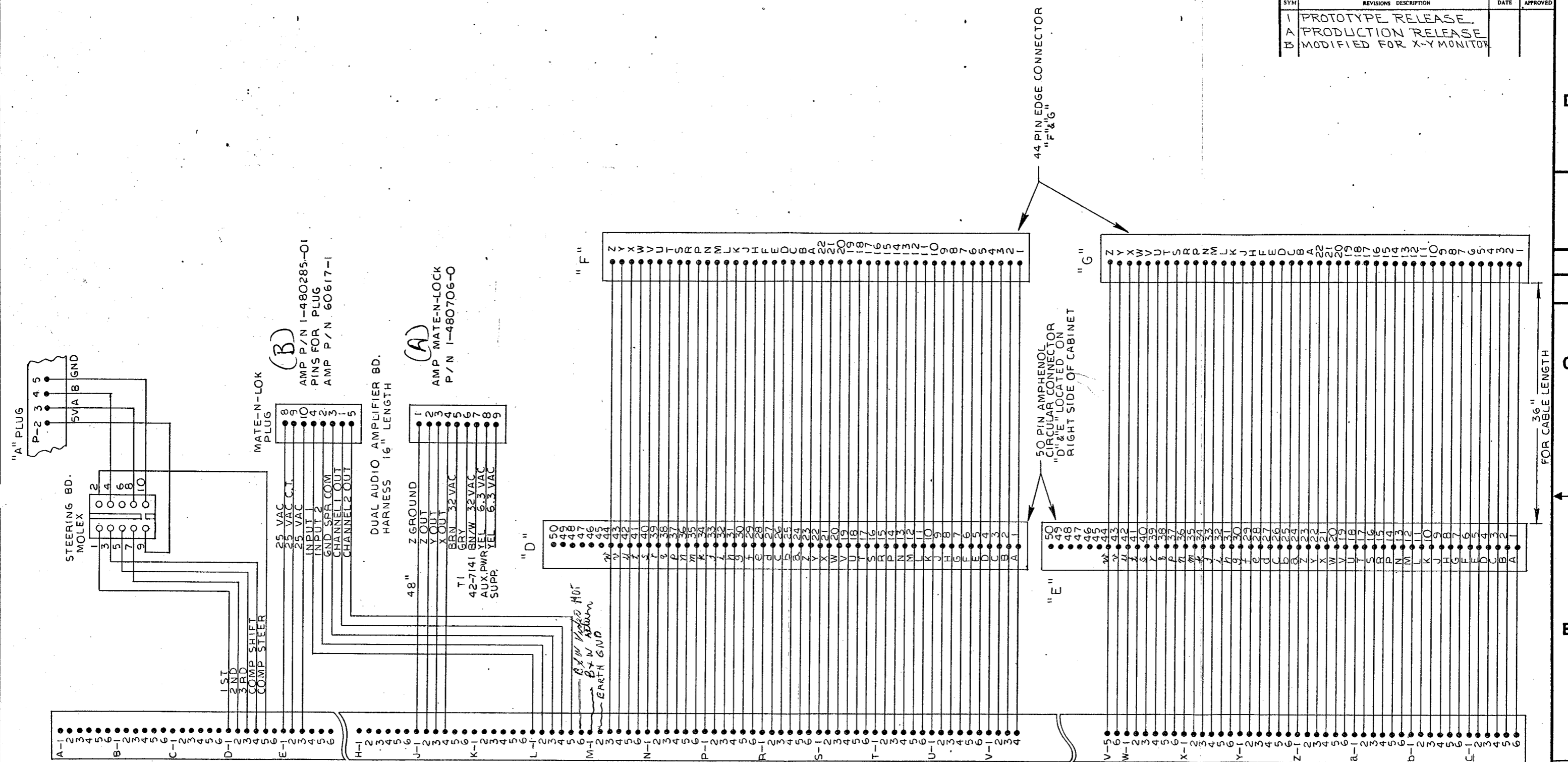
A

D

C

B

SYM	REVISIONS	DESCRIPTION	DATE	APPROVED
1		PROTOTYPE RELEASE		
A		PRODUCTION RELEASE		
B		MODIFIED FOR X-Y MONITOR		



CANNON DL-156 PROGRAM RECEPTACLE  
"B" RECEPTACLE

NEXT ASSY		USED ON	APPLICATION	UNLESS OTHERWISE SPECIFIED DIMENSIONS ARE IN INCHES TOLERANCES ON: ANGLES = ±1° SURFACE FINISH: XXXX ±.03	DO NOT SCALE DRAWING	<p>Atari, Inc. 1265 Borregas Avenue Sunnyvale, Calif. 94086 A Warner Communications Company</p>
DRAWN BY: SCHUNG 6.20		CHECKED:	MATERIAL:	FINISH:	DATE: 6.20	
NOTICE TO ALL PERSONS RECEIVING THIS DRAWING: CONFIDENTIAL. Reproduction Forbidden without the specific written permission of Atari Inc., Los Gatos, California. This drawing is only conditionally issued, and neither receipt nor possession thereof confers or transfers any right in, or license to use, the subject matter of the drawing or any design or technical information shown thereon, nor any right to reproduce this drawing or any part thereof, except for manufacture by vendors for Atari Incorporated and for manufacture under the corporation's written license, no right to reproduce this drawing is granted on the subject matter thereof unless by written agreement with or written permission from the corporation.		PROJECT ENGINEER: [Signature]		ENGINEER: [Signature]		SIZE: D SCALE: N/A SHEET: 1 OF 1

OUTSTANDING ECNs	

DRAWING NO. SHEET 1 OF 1

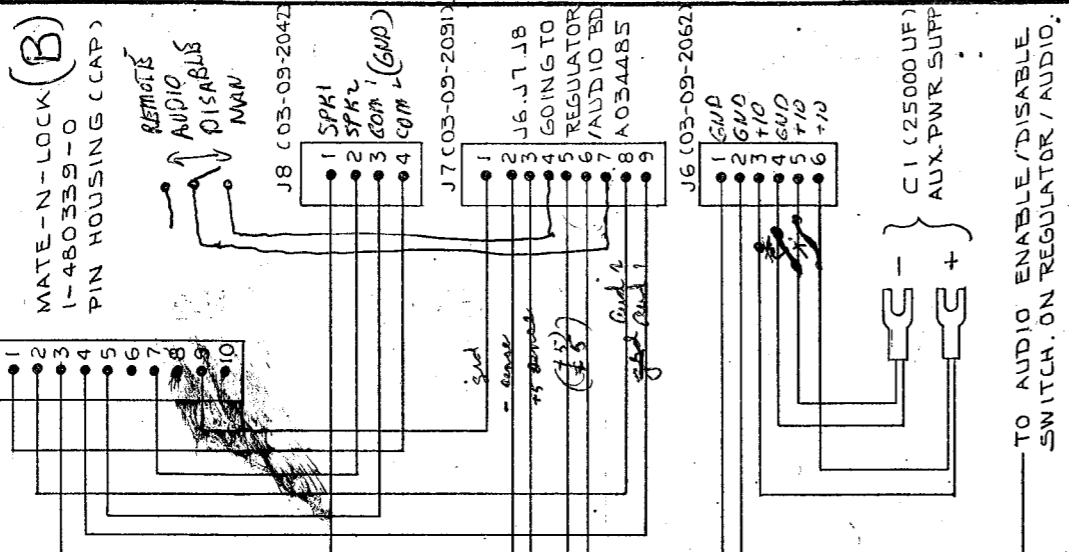
FOR CABLE LENGTH 36"

A

A

D

NOTICE TO ALL PERSONS RECEIVING THIS DRAWING  
 CONFIDENTIAL. Reproduction Forbidden without the specific written permission of Atari Inc., Los Gatos, California. This drawing is only conditionally issued, and neither receipt nor possession thereof confers or transfers any right in, or license to use, the subject matter of the drawing or any design or technical information shown thereon, nor any right to reproduce this drawing or any part thereof, except for manufacture by vendors for Atari Incorporated and for manufacture under the corporation's written license, no right to reproduce this drawing is granted on the subject matter thereof unless by written agreement with or written permission from the corporation.

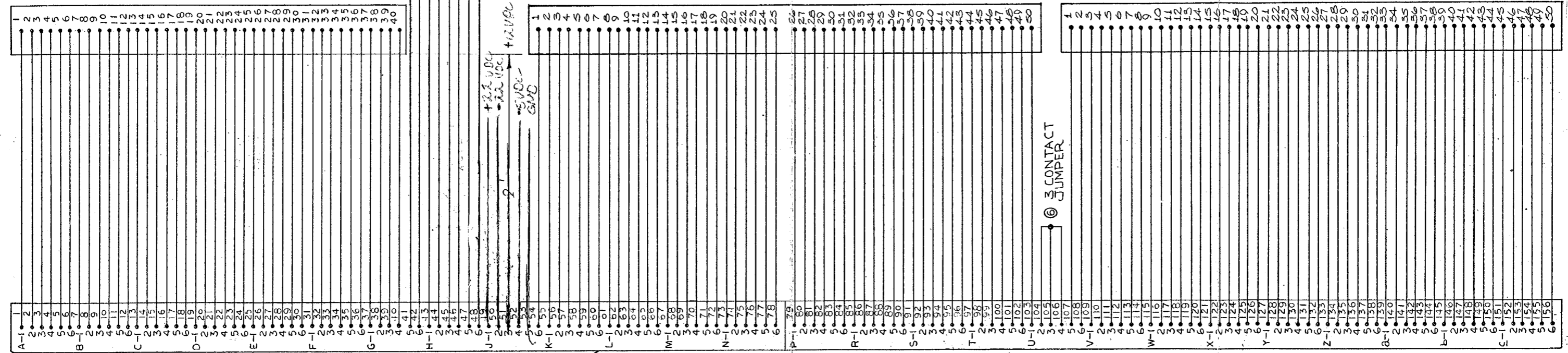


REVISIONS				
ZONE	SYM	DESCRIPTION	DATE	APPROVED
1		PROTOTYPE RELEASE		
A		PRODUCTION RELEASE		
B		MODIFIED FOR X-Y MONITOR	8/23	ML

P3  
 MINIATURE DUALATCH  
 #58227 H

P2  
 CANNON CONNECTOR DDC-50'S

P1  
 CANNON CONNECTOR DDC-50'S



CANNON DL-156 PROGRAM RECEPTACLE  
 "C" RECEPTACLE

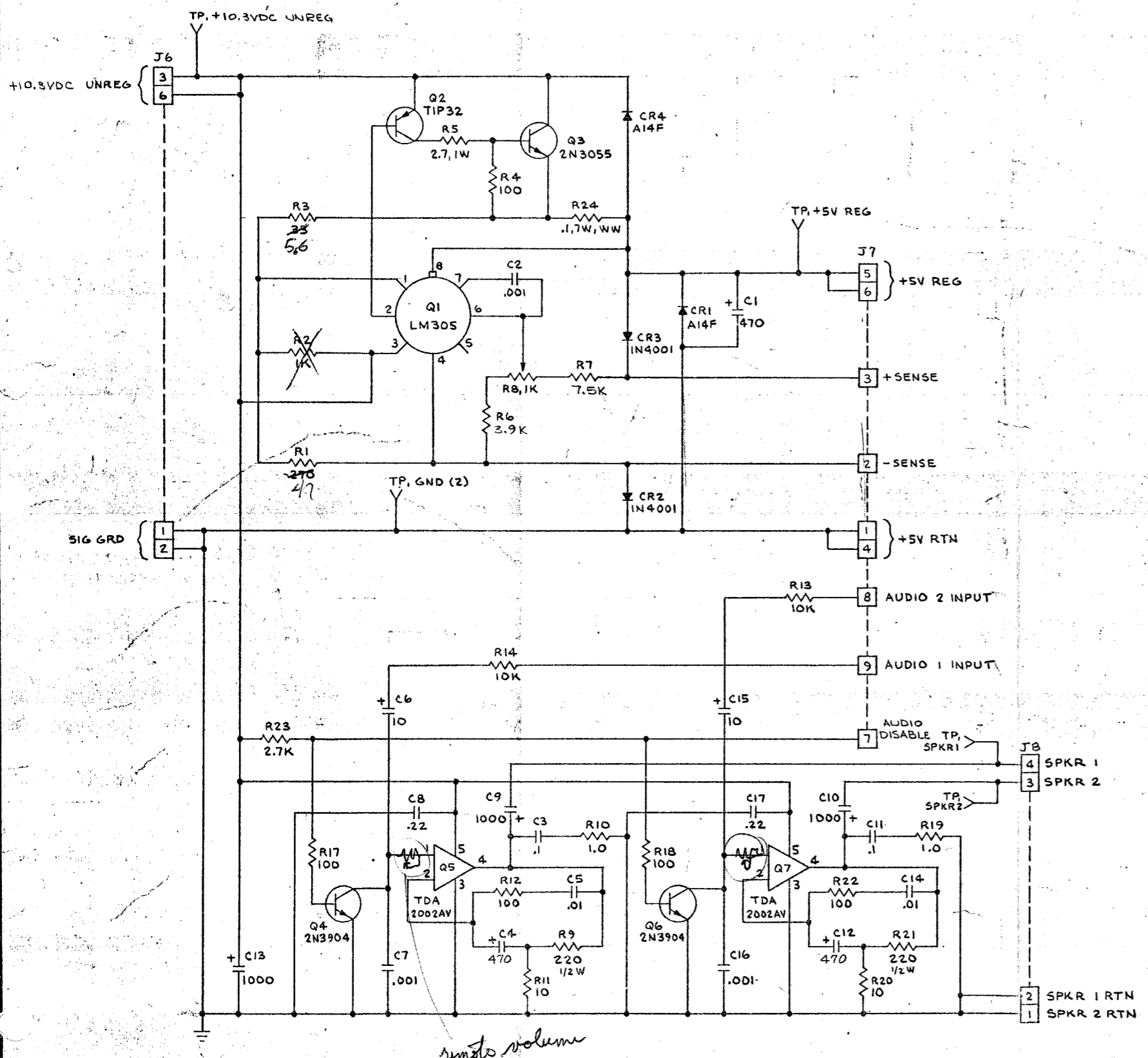
PIN LOCATION

OUTSTANDING ECNs	

NOTES: UNLESS OTHERWISE SPECIFIED

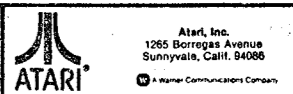
UNLESS OTHERWISE SPECIFIED DIMENSIONS ARE IN INCHES TOLERANCES: .XXX ± .01 .XX ± .03 SURFACE FINISH: XXX ± .010	DO NOT SCALE DRAWING	ATARI INCORPORATED 14600 Winchester Boulevard Los Gatos, California 95030
	MATERIAL:	
FINISH:	CHECKED: [Signature] PROJECT ENGINEER: [Signature] MFG ENGINEER: [Signature]	DATE: 8/23/78 DRAWING NO: D REV: B
NEXT ASSY:      USED ON:      APPLICATION:	SIZE: D      SHEET: 1 OF 1	

REVISIONS				
SYM	DESCRIPTION	DATE	INCRP	CHECK APPROVED
I	PRE-PROD RELEASE			
A	PRODUCTION RELEASE	5/31/79		J.S./M
B	REV PER ECN 7331	2/2/79		J.S./M
C	REV PER ECN 7358	2/2/79		J.S./M
D	REV PER ECN 7379, 7462, 7520	1/2/79		J.S./M



*remote volume*

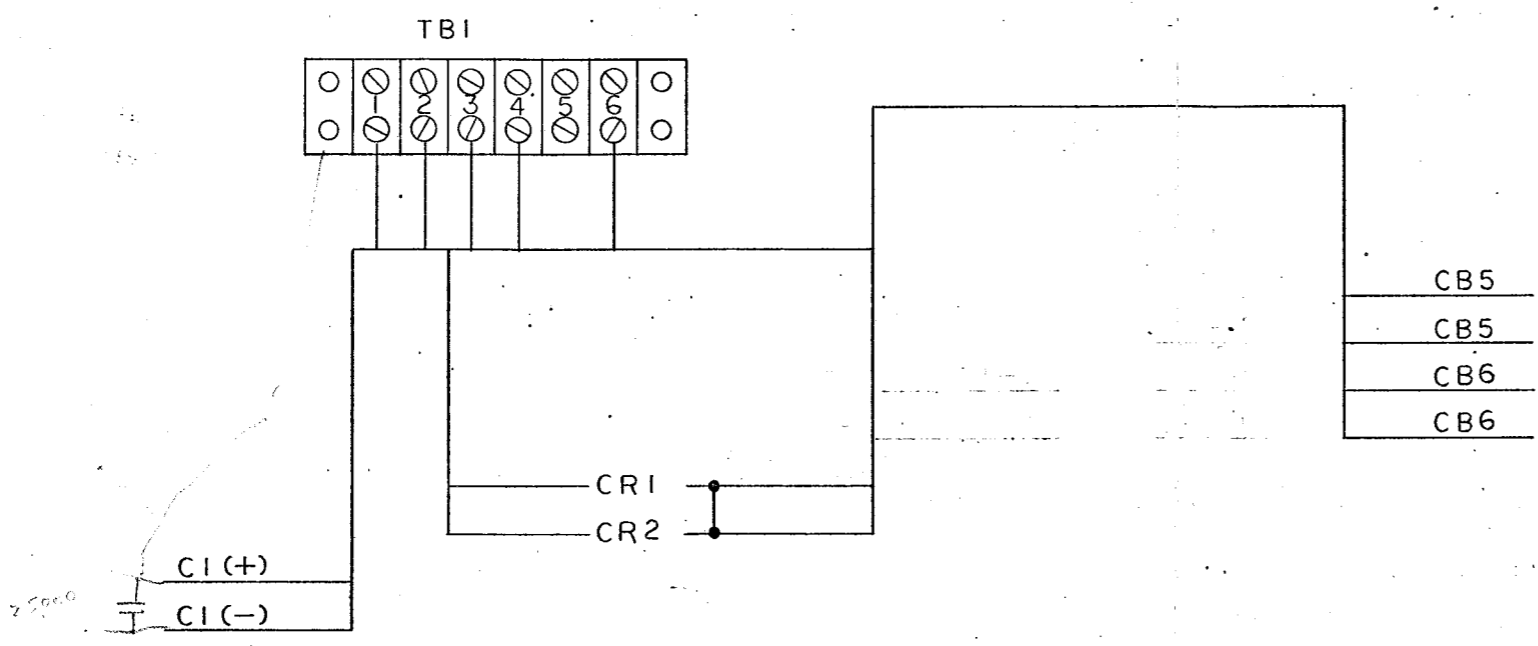
UNIVERSAL		DO NOT SCALE DRAWING	DRAWN BY <i>WLD</i>	DATE <i>2/2/79</i>
NEXT ASSY	FIRST USED ON	UNLESS OTHERWISE SPECIFIED DIMENSIONS ARE IN INCHES TOLERANCES ON:	CHECKED BY	DATE
OUTSTANDING ECNs		ANGLES .1" .2" .5" .1"	ENGR, MECH	DATE
		SURFACE FINISH .0005	ENGR, ELECT	DATE
NOTICE TO ALL PERSONS RECEIVING THIS DRAWING: CONFIDENTIAL: Reproduction forbidden without the specific written permission of Atari, Inc., Sunnyvale, California. This drawing is only conditionally issued, and neither receipt nor possession thereof confers or transfers any right in, or license to use, the subject matter of the drawing or any design or technical information shown thereon, nor any right to reproduce this drawing or any part thereof, except for manufacture by vendors of Atari, Incorporated and for manufacture under the corporation's written license. No right to reproduce this drawing is granted or the subject matter thereof unless by written agreement with or written permission from the corporation.		MATERIAL:	INDUSTRIAL DESIGN	DATE
		FINISH:	HARNESS DESIGN	DATE
PROJECT ENGR	DATE	PROJECT ENGR	DATE	SIZE
<i>J. Shaw</i>	<i>1 MAR 79</i>	<i>J. Shaw</i>	<i>1 MAR 79</i>	<b>D</b>
MEG ENGR	DATE	MEG ENGR	DATE	DRAWING NO.
<i>Tom Link</i>	<i>5/31/79</i>	<i>Tom Link</i>	<i>5/31/79</i>	<b>034485-01</b>
		SCALE	NONE	SHEET
				<b>1</b> OF <b>1</b>



**SCHMATIC, REGULATOR/AUDIO P.C. BD**

SYM	REVISIONS DESCRIPTION	DATE	APPROVED
1	PROTOTYPE RELEASE		
A	PRODUCTION RELEASE		
B	MODIFIED FOR X-Y MONITOR	8/23	

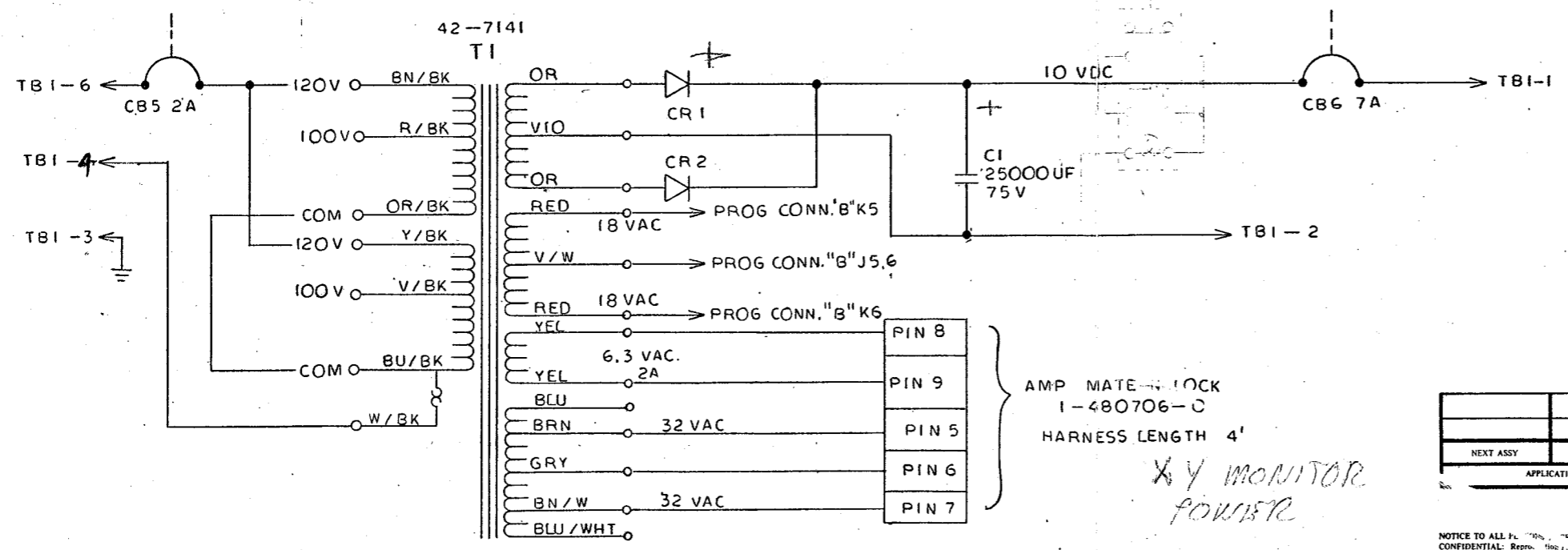
WIRING DIAGRAM



- CB5
- CB5
- CB6
- CB6

WIRE ROUTING LIST

FROM	TO	DIA	LENGTH
TBI-1	CB6	14 AWG	15"
TBI-2	CI (-)	14 "	11"
TBI-3	GND	16 "	6"
TBI-4	TI-4 <sup>W/BK</sup>	16 "	11"
TBI-5			
TBI-6	CB5	16 "	14"
TBI-2	TI-VIO	14 "	15"
CI (+)	CR1 (+)	14 "	15"
CR2 (A)	TB-1	14 "	15"
CB6	TB-1	16 "	15"
TI-OR	CR1 (A)	16 "	15"
TI-	TI-	16 AWG BUSSWIRE	3"
TI-OR	CR2	16 AWG	17"
CR1 (C)	CR2 (C)	16 AWG BUSSWIRE	2"



OUTSTANDING ECNs	

UNLESS OTHERWISE SPECIFIED DIMENSIONS ARE IN INCHES TOLERANCES ON:		DO NOT SCALE DRAWING		<p>Atari, Inc. 1265 Borregas Avenue Sunnyvale, Calif. 94086 A Warner Communications Company</p>
ANGLES - 45°	.x = .1 .xx = .05	DRAWN BY	DATE	
SURFACE FINISH		S. Chung 11/10		<p>TITLE: MODIFIED SCHEMATIC &amp; WIRING DIAGRAM AUXILIARY PWR SUPPLY</p>
MATERIAL:		ENGINEER	DATE	
FINISH:		PROJECT ENGINEER	DATE	<p>SIZE: D DRAWING NO. REV</p>
NOTICE TO ALL: THIS DRAWING IS CONFIDENTIAL. Reproduction without the specific written permission of Atari, Inc. is prohibited. This drawing is only conditional, non-patentable information shown thereon, and is not to be used, copied, or reproduced in any form or by any means, electronic or mechanical, including photocopying, recording, or by any information storage and retrieval system, without the prior written permission of Atari, Inc.		MFG ENGINEER		<p>SCALE: SHEET OF</p>

X-Y MONITOR POWER