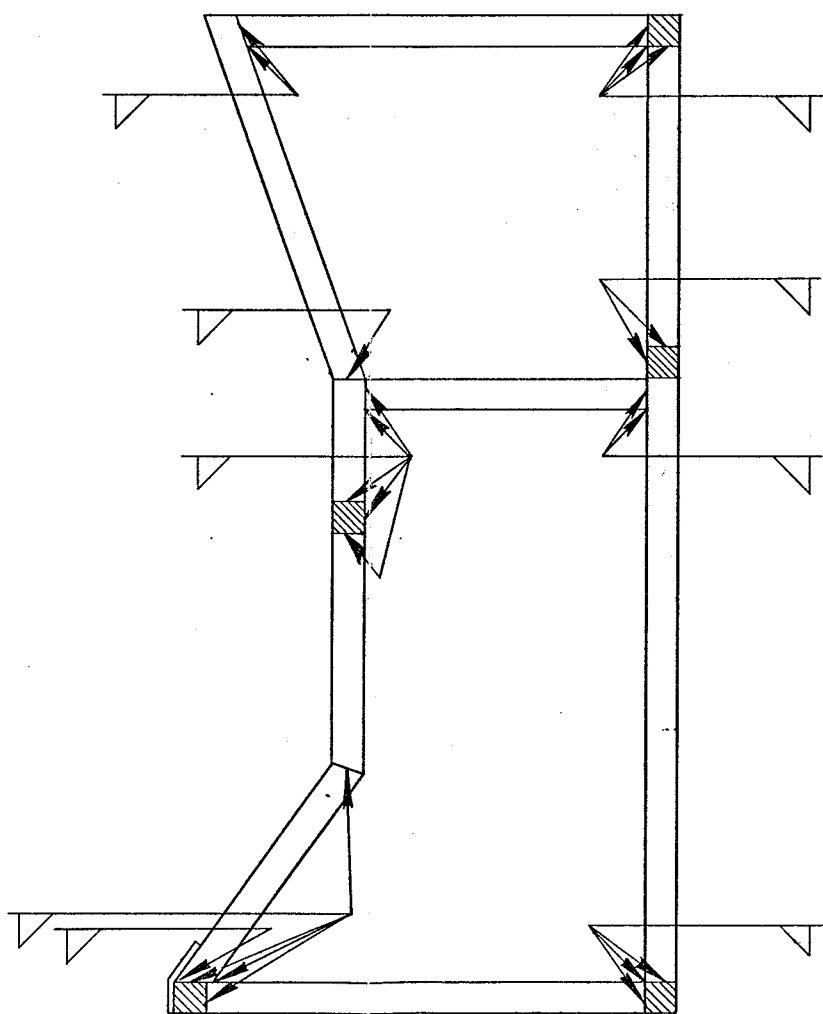
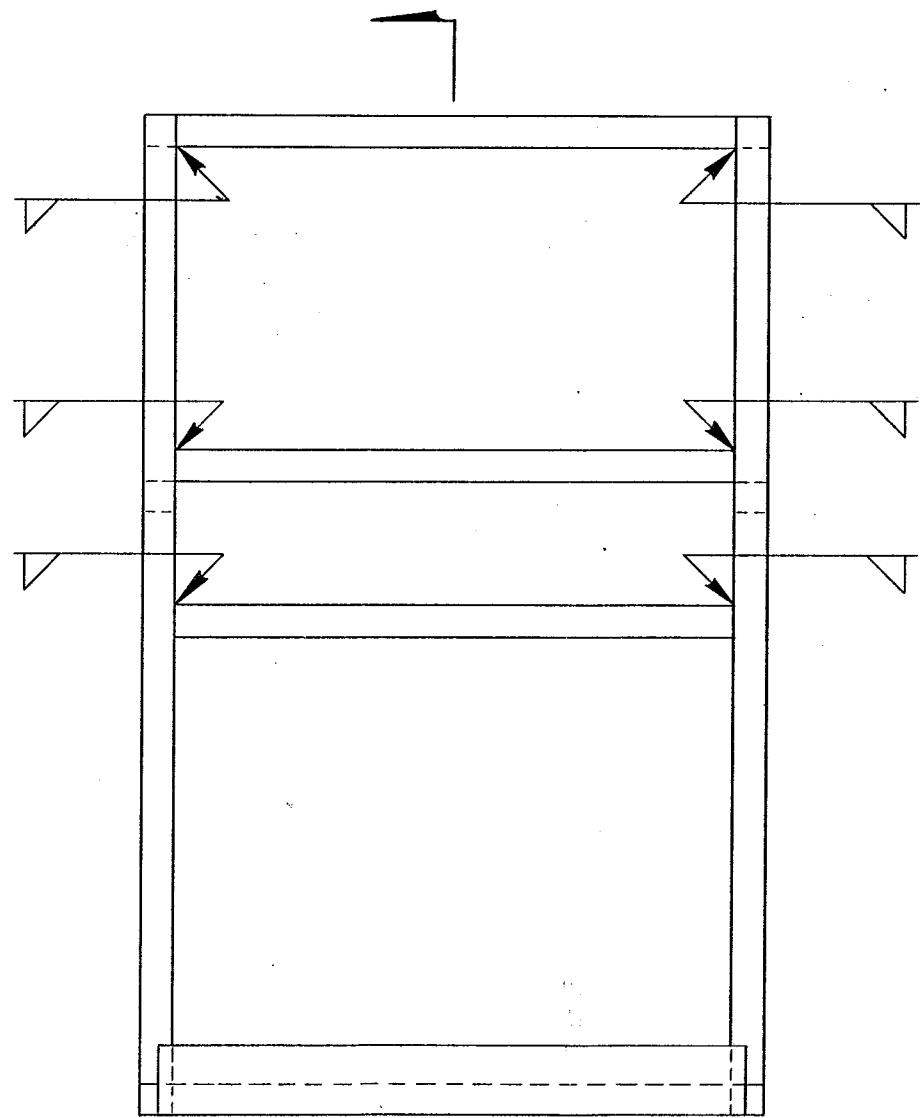
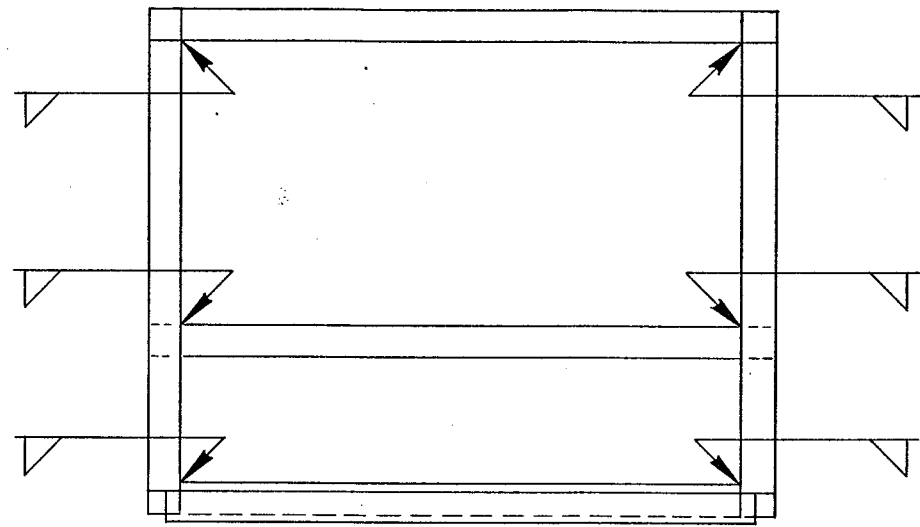



SYM	REVISIONS DESCRIPTION	DATE	APPROVED



SECTION
A-A
LEFT SIDE
RIGHT SIDE MIRROR IMAGE

NOTE:
1. ALL WELDS NOT TO OVERHANG
EXTERIOR EDGES.

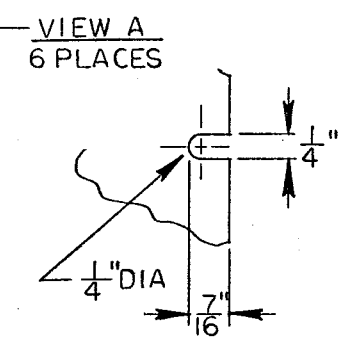
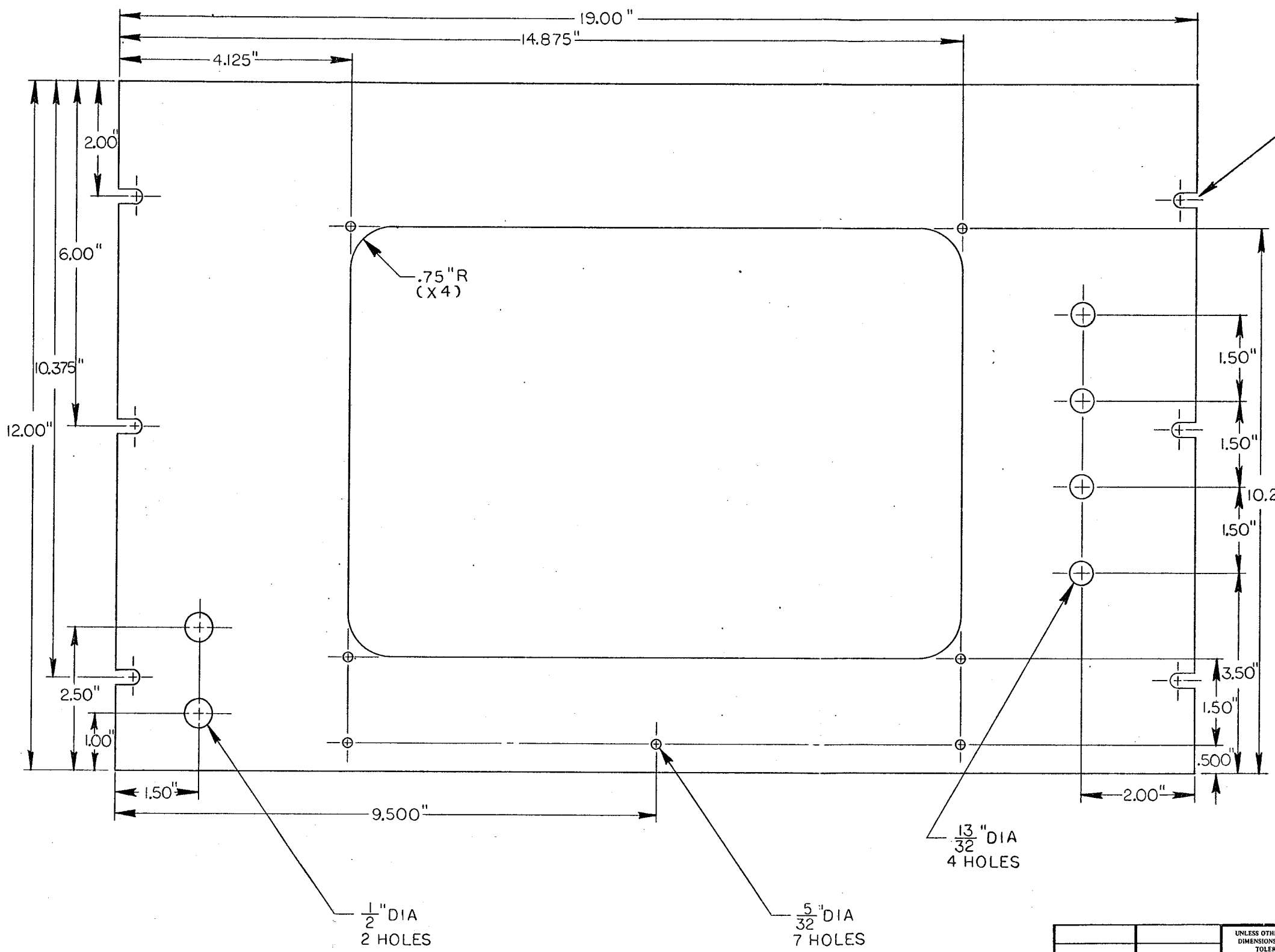
OUTSTANDING ECNs	

<small>UNLESS OTHERWISE SPECIFIED DIMENSIONS ARE IN INCHES TOLERANCES (IN):</small> ANGLES ± 1° Δ = Δ .1 SURFACE FINISH ✓ .125 ± .03 <small>MATERIAL:</small> <small>FINISH:</small>	DO NOT SCALE DRAWING DRAWN BY DATE <i>S. Chung 7.17</i>	 Atari, Inc. 1265 Borregas Avenue Sunnyvale, Calif. 94086 <small>A Warner Communications Company</small>	
	CHECKED ENGINEER		<small>TITLE</small> TUBULAR MODULAR WELDING LOCATION CTS-1
	PROJECT ENGINEER MFG ENGINEER	<small>SIZE</small> D	<small>REVISIONS</small> REV A
	<small>SCALE</small> 3/1	<small>DRAWING NO.</small>	<small>SHEET</small> <small>OF</small>

NOTICE TO ALL PERSONS RECEIVING THIS DRAWING
CONFIDENTIAL: Reproduction Forbidden without the specific written permission of Atari, Inc., Los Gatos, California. This drawing is only conditionally issued, and neither receipt nor possession thereof confers or transfers any right in, or license to use, the subject matter of the drawing or any design or technical information shown thereon, nor any right to reproduce this drawing or any part thereof, except for manufacture by vendors for Atari Incorporated and for manufacture under the corporation's written license, no right to reproduce this drawing is granted or the subject matter thereof unless by written agreement with or written permission from the corporation.

DRAWING NO. SHEET REV. A

SYM	REVISIONS DESCRIPTION	DATE	APPROVED

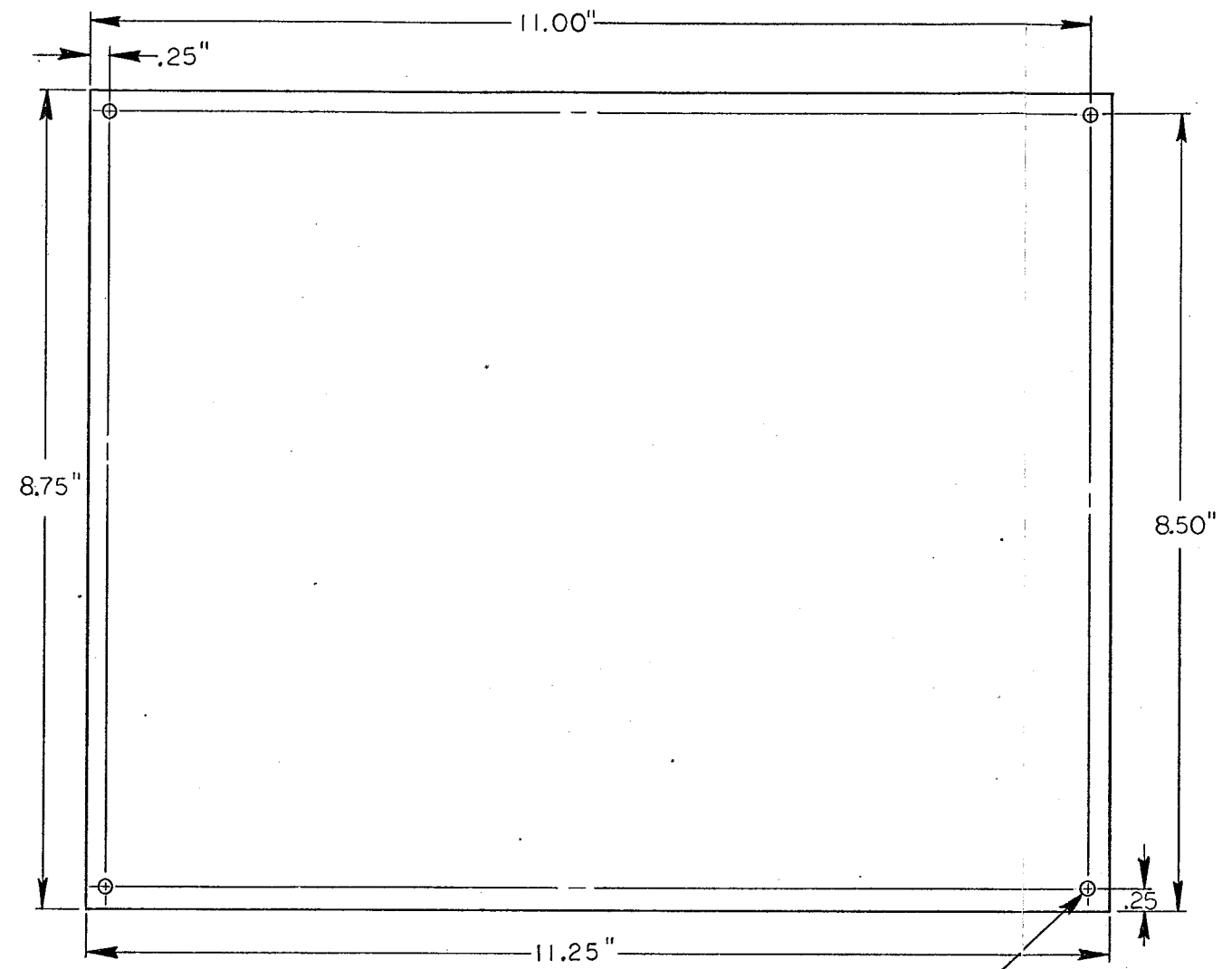


- NOTES:
1. MATERIAL IS .119" C.R.S.
 2. VERTICAL DIMENSIONS OF NOTCHED DETAIL ARE THE SAME AS THOSE TO LEFT OF PANEL
 3. SILKSCREEN PER ARTWORK #
USE WHITE PAINT COMPATIBLE WITH BASE COAT TO PREVENT FLAKING.
 4. BREAK SHARP CORNERS, EDGES AND REMOVE ALL BURRS.
 5. FINISH: CHARCOAL PAINT.

OUTSTANDING ECNs	

UNLESS OTHERWISE SPECIFIED DIMENSIONS ARE IN INCHES TOLERANCES ON: ANGLES = ±1° SURFACE FINISH ✓ .xx ± .005		DO NOT SCALE DRAWING	Atari, Inc. 1265 Borregas Avenue Sunnyvale, Calif. 94086 A Warner Communications Company						
NEXT ASSY	USED ON	DRAWN BY S. Chung		DATE 7 5 78					
APPLICATION		MATERIAL: SEE NOTE 1	TITLE TV MODULE FRONT PANEL CUT OUT CTS-1						
NOTICE TO ALL PERSONS RECEIVING THIS DRAWING CONFIDENTIAL: Reproduction Forbidden without the specific written permission of Atari Inc., Los Gatos, California. This drawing is only conditionally issued, and neither receipt nor possession thereof confers or transfers any right in, or license to use, the subject matter of the drawing or any design or technical information shown thereon, nor any right to reproduce this drawing or any part thereof, except for manufacture by vendors for Atari Incorporated and for manufacture under the corporation's written license, no right to reproduce this drawing is granted or the subject matter thereof unless by written agreement with or written permission from the corporation.		FINISH: SEE NOTE 5	<table border="1"> <tr> <td>SIZE D</td> <td>DRAWING NO.</td> <td>REV B</td> </tr> <tr> <td>SCALE</td> <td>SHEET</td> <td>OF</td> </tr> </table>	SIZE D	DRAWING NO.	REV B	SCALE	SHEET	OF
SIZE D	DRAWING NO.	REV B							
SCALE	SHEET	OF							

SYM	REVISIONS	DESCRIPTION	DATE	APPROVED



5/32" DIA
4 HOLES

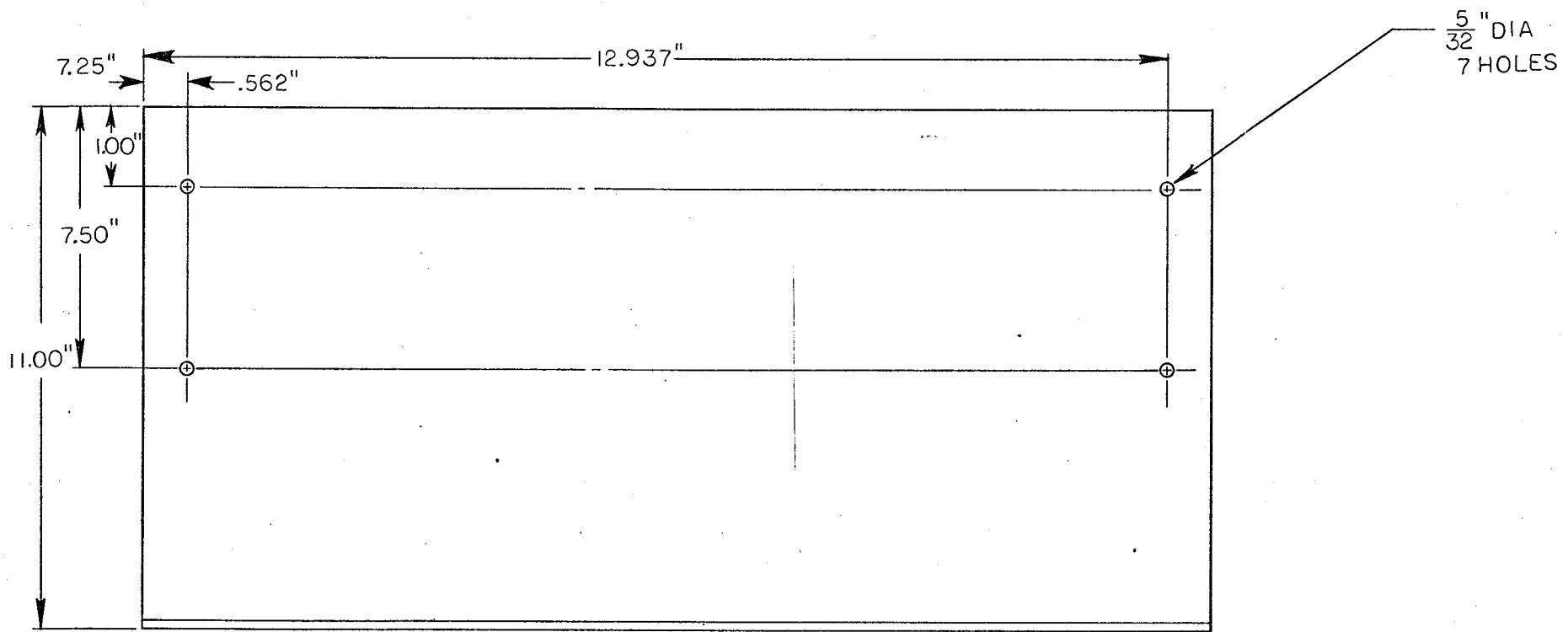
OUTSTANDING ECNs	

<table border="1"> <tr> <td>NEXT ASSY</td> <td>USED ON</td> </tr> <tr> <td colspan="2">APPLICATION</td> </tr> </table>		NEXT ASSY	USED ON	APPLICATION		UNLESS OTHERWISE SPECIFIED DIMENSIONS ARE IN INCHES TOLERANCES ON: ANGLES = ±1° X = ±.1 XX = ±.03 XXX = ±.005 SURFACE FINISH ✓	DO NOT SCALE DRAWING DRAWN BY <i>S. Chung</i> DATE <i>7.5.78</i> CHECKED ENGINEER PROJECT ENGINEER MFG ENGINEER	Atari, Inc. 1265 Borregas Avenue Sunnyvale, Calif. 94086 A Warner Communications Company ATARI
NEXT ASSY	USED ON							
APPLICATION								
MATERIAL: 1/8" PLEXIGLASS TYPE 2074 LIGHT BLUE FINISH:		TITLE PLASTIC SCREEN TV MODULE FRONT PANEL CTS-1						
NOTICE TO ALL PERSONS RECEIVING THIS DRAWING <small>CONFIDENTIAL: Reproduction Forbidden without the specific written permission of Atari Inc., Los Gatos, California. This drawing is only conditionally issued, and neither receipt nor possession thereof confers or transfers any right in, or license to use, the subject matter of the drawing or any design or technical information shown thereon, nor any right to reproduce this drawing or any part thereof, except for manufacture by vendors for Atari Incorporated and for manufacture under the corporation's written license. No right to reproduce this drawing is granted or the subject matter thereof unless by written agreement with or written permission from the corporation.</small>		SIZE D	DRAWING NO. SCALE 1/1 SHEET 1 OF 1	REV B				

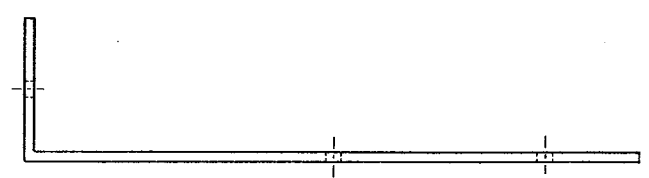
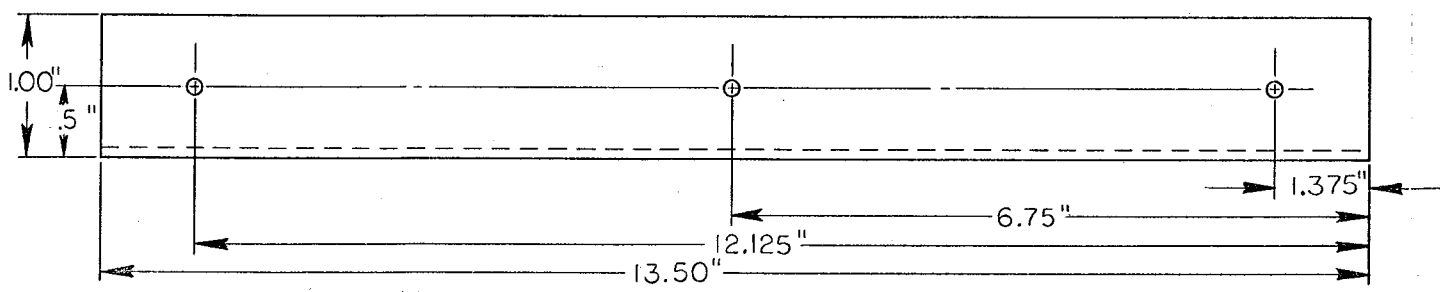
D
C
B
A

DRAWING NO.
SHEET
REV


SYM	REVISIONS DESCRIPTION	DATE	APPROVED



- NOTES:
1. MATERIAL IS .119" C.R.S.
 2. BREAK SHARP CORNERS, EDGES, AND REMOVE ALL BURRS.
 3. FINISH: CHARCOAL PAINT.



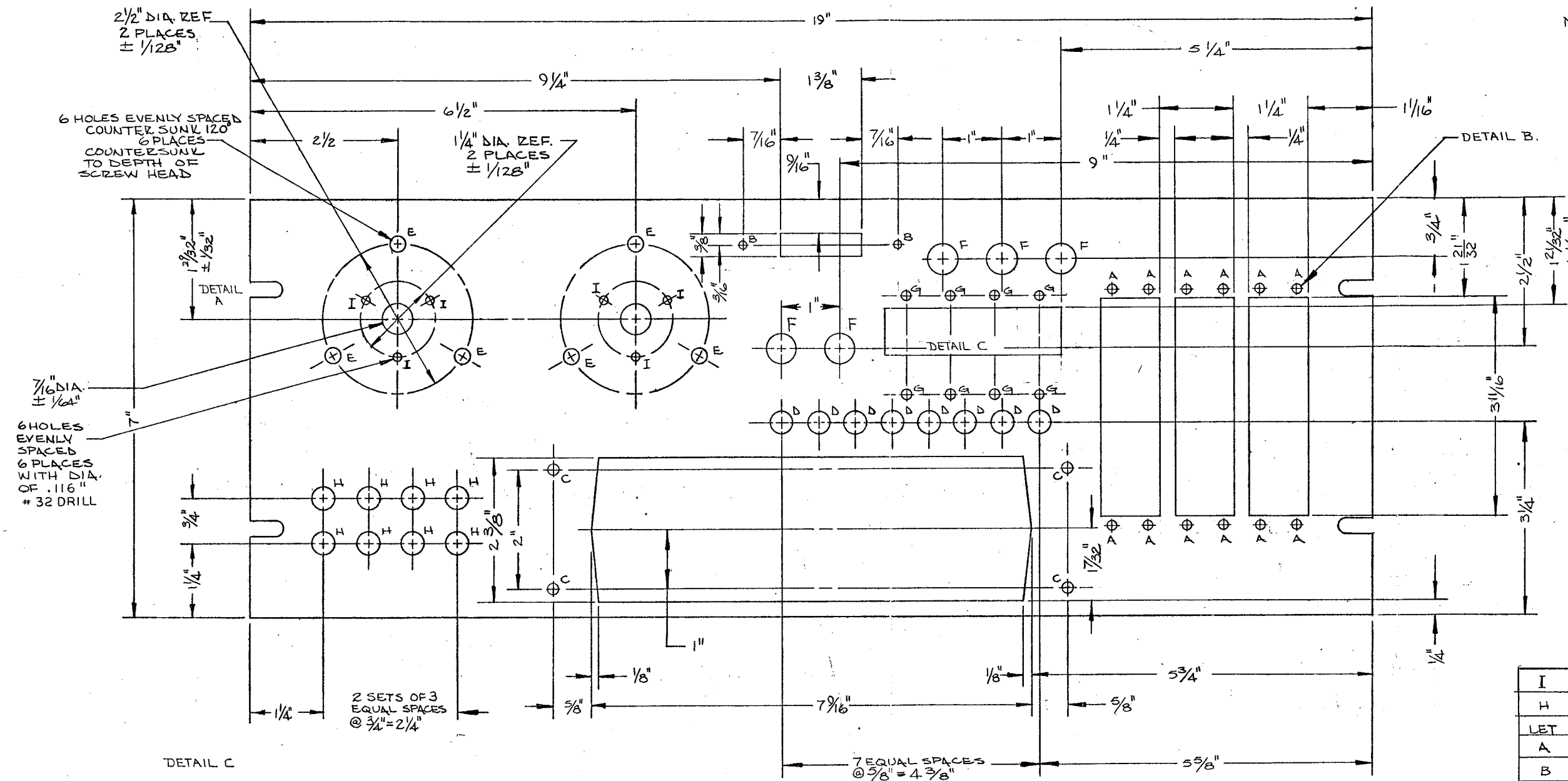
OUTSTANDING ECNs

UNLESS OTHERWISE SPECIFIED DIMENSIONS ARE IN INCHES TOLERANCES ON:	DO NOT SCALE DRAWING	 Atari, Inc. 1285 Borregas Avenue Sunnyvale, Calif. 94086 A Warner Communications Company
ANGLES = 45° .5 = ± .1 .25 = ± .03 SURFACE FINISH ✓ .004 = ± .005	DRAWN BY: <i>S. Chung</i> DATE: 3.17.78	
APPLICATION	MATERIAL: SEE NOTE 1	TITLE: TV MODULE BRACKET CTS-1
NEXT ASSY USED ON CHECKED ENGINEER	PROJECT ENGINEER MFG ENGINEER	SIZE: D SCALE: 1/1
NOTICE TO ALL PERSONS RECEIVING THIS DRAWING CONFIDENTIAL: Reproduction Forbidden without the specific written permission of Atari Inc., Los Gatos, California. This drawing is only conditionally issued, and neither receipt nor possession thereof confers or transfers any right in, or license to use, the subject matter of the drawing or any design or technical information shown thereon, nor any right to reproduce the drawing or any part thereof, except for manufacture by vendors for Atari Incorporated and for manufacture under the corporation's written license, no right to reproduce this drawing is granted or the subject matter thereof unless by written agreement with or written permission from the corporation.		DRAWING NO. _____ REV B

DRAWING NO. SHEET REV. A B C D

REVISIONS			INITIALS and DATE		
SYM	DESCRIPTION		INITIALS and DATE		
			DRAFT	CHECK	ENGR

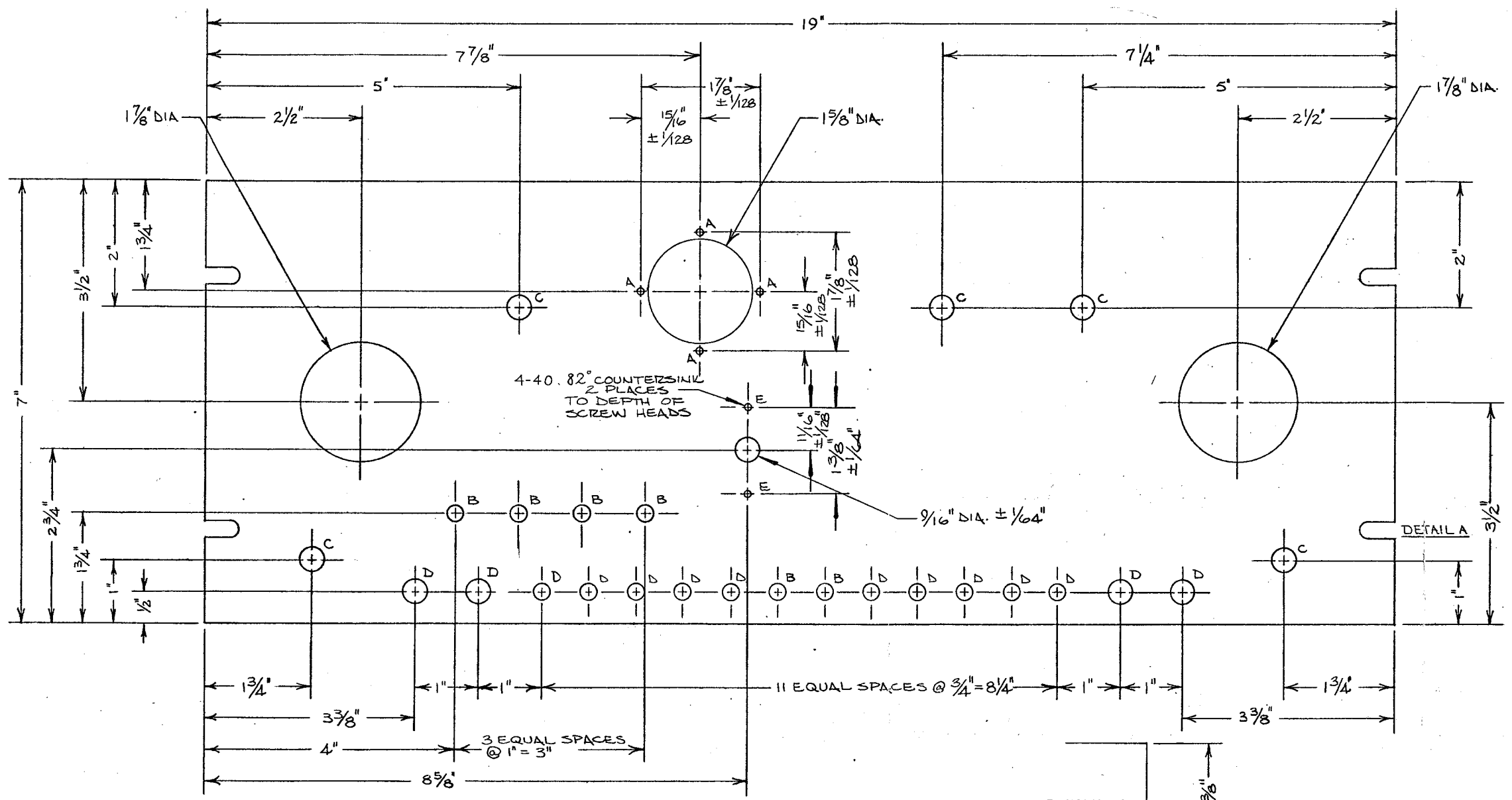
NOTES:
 1. MATERIAL IS .119" C.R.S.
 2. BREAK SHARP CORNERS, EDGES, AND REMOVE ALL BURRS.
 3. SILKSCREEN PER ARTWORK
 # USE WHITE PAINT COMPATIBLE WITH BASE COAT TO PREVENT FLAKING.



LET	QUAN.	DIA.
I	6	#43
H	8	5/16"
A	12	9/64"
B	2	1/8"
C	4	1/4"
D	8	3/8"
E	6	1/4"
F	5	1/2"
G	8	5/32"

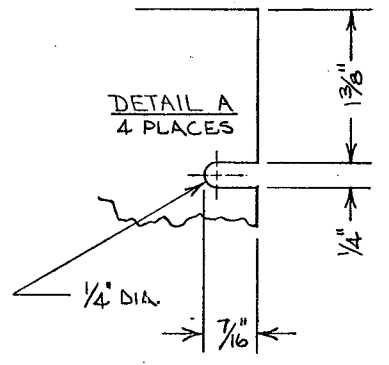
INTERPRET THIS DRAWING PER USASI Y14.5	DRAWN BY S. Chung	DATE 8.26	ATARI INCORPORATED 14600 Winchester Boulevard Los Gatos, California 95030
UNLESS OTHERWISE SPECIFIED DIMENSIONS ARE IN INCHES TOLERANCES ON:	CHECKED	DESIGN ENGINEER	
FRACTIONS = +1/16 ANGLES = 45° SURFACE FINISH = .03	PROJECT ENGINEER	DOCUMENT CONTROL	TITLE MASTER POWER PANEL CTS-1
MATERIAL: .119" CRS	APPROVED DSR	SIZE D	DRAWING NO. C
NOTICE TO ALL PERSONS RECEIVING THIS DRAWING CONFIDENTIAL: Reproduction Forbidden without the specific written permission of Atari Inc., Los Gatos, California. This drawing is only conditionally issued, and neither receipt nor possession thereof confers or transfers any right in, or license to use, the subject matter of the drawing or any design or technical information shown therein, nor any right to reproduce this drawing or any part thereof, except for manufacture by vendors for Atari Incorporated and for manufacture under the corporation's written license, no right to reproduce this drawing is granted or the subject matter thereof unless by written agreement with or written permission from the corporation.	NEXT ASSY	USED ON	SCALE 1/1
APPLICATION			SHEET 1 OF 1

REVISIONS				
SYM	DESCRIPTION	INITIALS and DATE		
		DRFTG	CHECK	ENGRG



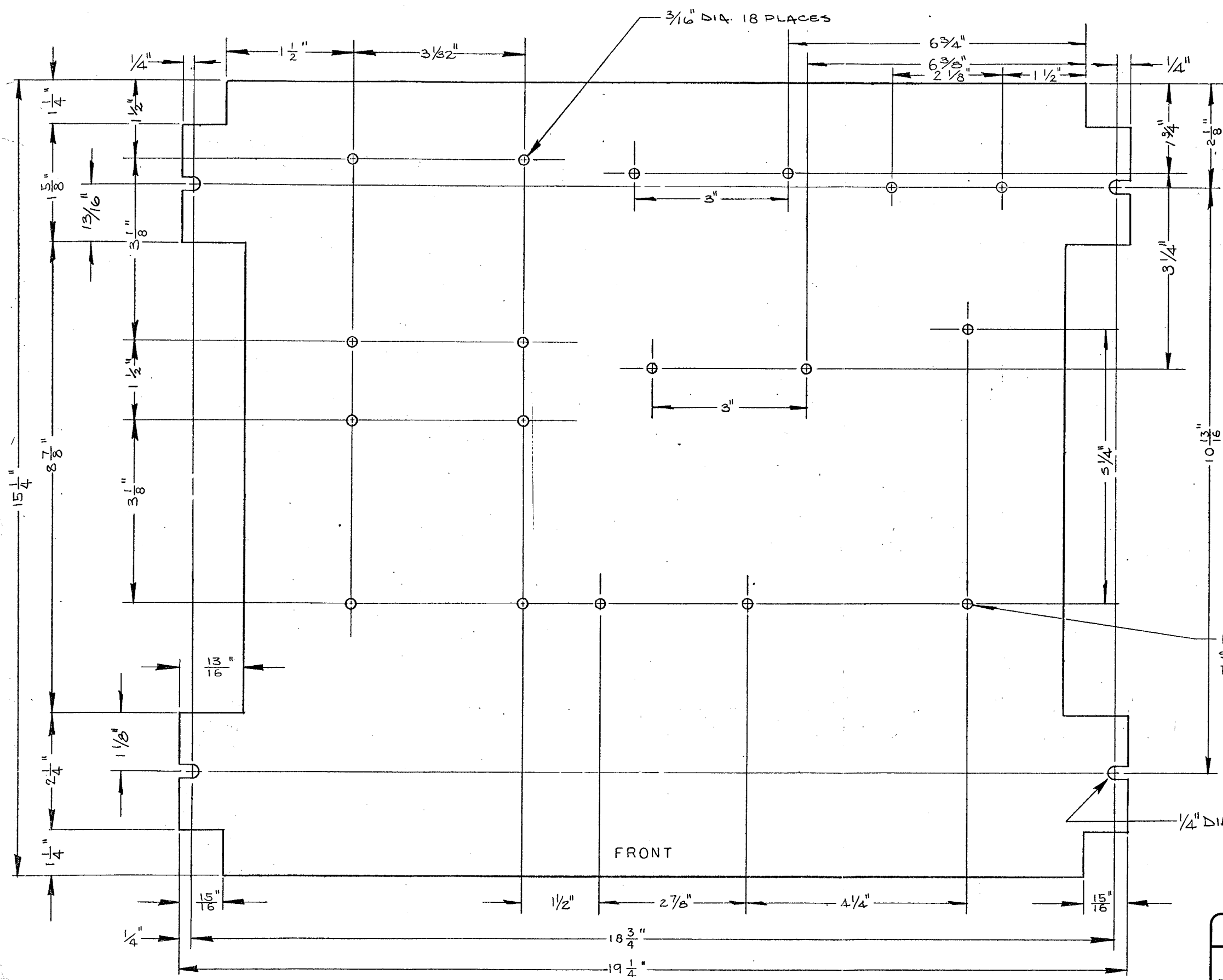
NOTES:
 1. MATERIAL IS .119" C.R.S.
 2. BREAK SHARP CORNERS, EDGES, AND REMOVE ALL BURRS.
 3. SILKSCREEN PER ARTWORK
 # USE WHITE PAINT COMPATIBLE WITH BASE COAT TO PREVENT FLAKING.

LTZ	QTY	DIA
A	4	3/32"
B	6	1/4"
C	5	3/8"
D	14	1/2"
E	2	9/64" ± 1/64"



NOTICE TO ALL PERSONS RECEIVING THIS DRAWING
 CONFIDENTIAL: Reproduction Forbidden without the specific written permission of Atari Inc., Los Gatos, California. This drawing is only conditionally issued, and neither receipt nor possession thereof confers or transfers any right in, or license to use, the subject matter of the drawing or any design or technical information shown thereon; nor any right to reproduce this drawing or any part thereof, except for manufacture by vendors for Atari Incorporated and for manufacture under the corporation's written license, no right to reproduce this drawing is granted or the subject matter thereof unless by written agreement with or written permission from the corporation.

INTERPRET THIS DRAWING PER USASI Y14.2	DRAWN BY <i>S. Chung</i>	DATE 8.12	 ATARI INCORPORATED 14600 Winchester Boulevard Los Gatos, California 95030
UNLESS OTHERWISE SPECIFIED DIMENSIONS ARE IN INCHES TOLERANCES ON: FRACTIONS = ± 1/16 .x = ± .1 ANGLES = ± 1° .xx = ± .03 SURFACE FINISH .xxx = ± .010	CHECKED	DESIGN ENGINEER	
MATERIAL: SEENOTE 1	PROJECT ENGINEER	DOCUMENT CONTROL	SIZE D
NEXT ASSY	APPROVED <i>DSR</i>	SCALE 1/1	DRAWING NO. SHEET 1 OF 1



REVISIONS			
SYM	DESCRIPTION	INITIALS and DATE	
		DRFTG	CHECK ENGRG

- NOTES:
1. PANEL MATERIAL IS .119" C.R.S.
 2. PANEL IS AN ISOMETRIC EQUALITY FROM LEFT AND RIGHT.
 3. BREAK SHARP CORNERS, EDGES AND REMOVE ALL BURRS.
 4. FINISH: CHARCOAL PAINT


LOCATIONS FOR SPACERS FOR REVERB. UNIT

1/4" DIA. 4 PLACES

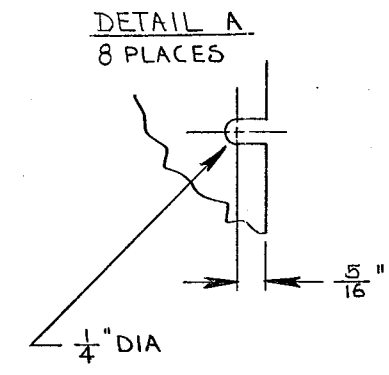
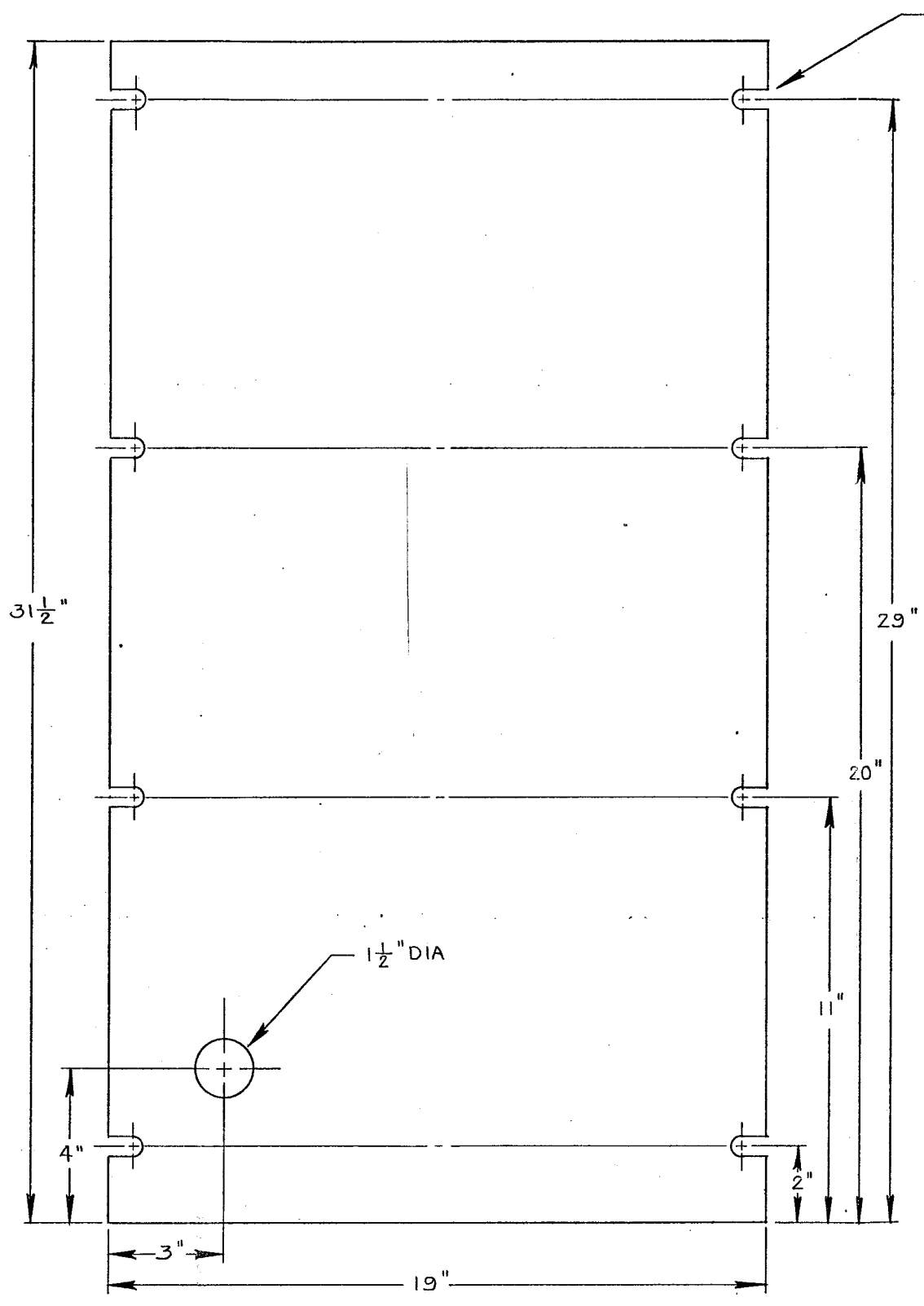
FRONT

NOTICE TO ALL PERSONS RECEIVING THIS DRAWING
 CONFIDENTIAL: Reproduction Forbidden without the specific written permission of Atari Inc., Los Gatos, California. This drawing is only conditionally issued, and neither receipt nor possession thereof confers or transfers any right in, or license to use, the subject matter of the drawing or any design or technical information shown thereon, nor any right to reproduce this drawing or any part thereof, except for manufacture by vendors for Atari Incorporated and for manufacture under the corporation's written license, no right to reproduce this drawing is granted or the subject matter thereof unless by written agreement with or written permission from the corporation.

APPLICATION	NEXT ASSY	USED ON

INTERPRET THIS DRAWING PER USASI Y14.5	DRAWN BY SC	DATE 6.27.78	 ATARI INCORPORATED 14600 Winchester Boulevard Los Gatos, California 95030
	UNLESS OTHERWISE SPECIFIED DIMENSIONS ARE IN INCHES TOLERANCES ON:	CHECKED	
FRACTIONS = +1/16 - .001	DESIGN ENGINEER		TITLE BOTTOM PANEL HOLE LOCATION CTS-1
ANGLES = ±1°	PROJECT ENGINEER		SIZE D
SURFACE FINISH ✓ .001 ✓ .010	DOCUMENT CONTROL		DRAWING NO.
MATERIAL: SEE NOTE 1	APPROVED DSP		REV E
			SCALE 1/1
			SHEET 1 OF 1

REVISIONS				
SYM	DESCRIPTION	INITIALS and DATE		
		DRFTG	CHECK	ENGRG



- NOTES:
1. PANEL MATERIAL IS .059" C.R.S.
 2. BREAK SHARP CORNERS, EDGES, AND REMOVE ALL BURRS.
 3. FINISH: PAINT ORANGE COLOR.

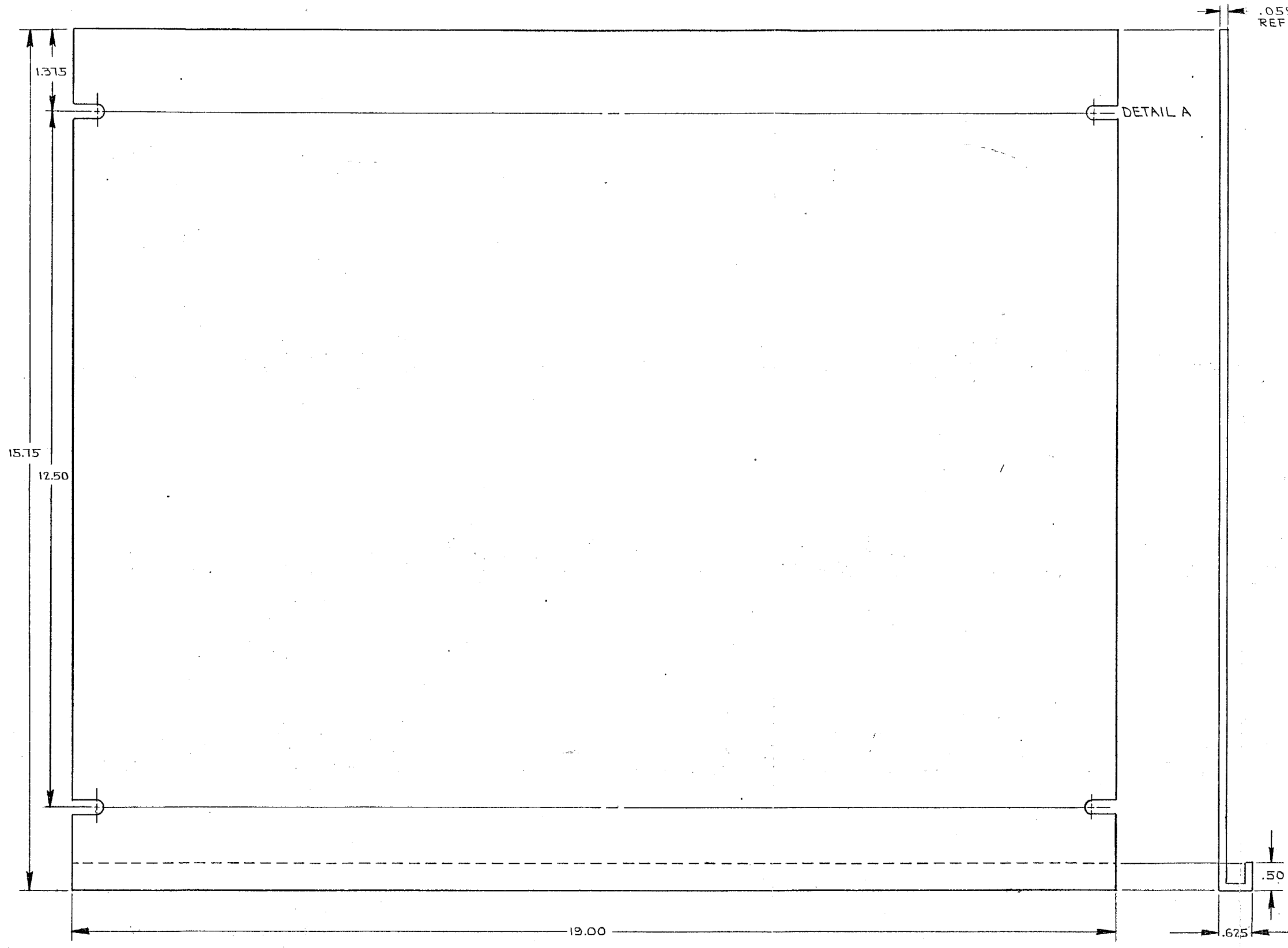
NOTICE TO ALL PERSONS RECEIVING THIS DRAWING
 CONFIDENTIAL: Reproduction Forbidden without the specific written permission of Atari Inc., Los Gatos, California. This drawing is only conditionally issued, and neither receipt nor possession thereof confers or transfers any right in, or license to use, the subject matter of the drawing or any design or technical information shown thereon, nor any right to reproduce this drawing or any part thereof, except for manufacture by vendors for Atari Incorporated and for manufacture under the corporation's written license. No right to reproduce this drawing is granted or the subject matter thereof unless by written agreement with or written permission from the corporation.

APPLICATION	USED ON	NEXT ASSY

INTERPRET THIS DRAWING PER USASI Y14.5	DRAWN BY <i>S. Chung</i> 6.13	DATE 6.13	ATARI INCORPORATED 14600 Winchester Boulevard Los Gatos, California 95030
UNLESS OTHERWISE SPECIFIED DIMENSIONS ARE IN INCHES TOLERANCES ON:	CHECKED	DESIGN ENGINEER	
FRACTIONS = ±1/16	PROJECT ENGINEER	DOCUMENT CONTROL	TITLE BACK PANEL CTS-1
ANGLES = ±1°	APPROVED		SIZE D
SURFACE FINISH			DRAWING NO.
SEE NOTE 1			SCALE 1/2
			REV A
			SHEET 1 OF 1

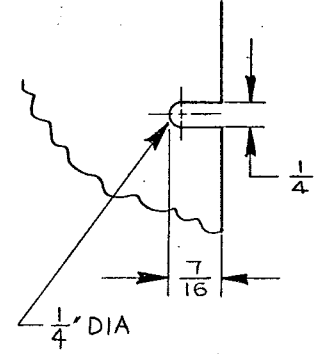
D
C
B
A

DRAWING NO.
SHEET
REV



REVISIONS			INITIALS and DATE		
SYM	DESCRIPTION		DRFTG	CHECK	ENGRG

DETAIL A
4 PLACES



- NOTES:
1. MATERIAL IS .059" C.R.S
 2. BREAK SHARP CORNERS, EDGES AND REMOVE ALL BURRS.
 3. FINISH: PAINT, ORANGE COLOR

NOTICE TO ALL PERSONS RECEIVING THIS DRAWING
 CONFIDENTIAL: Reproduction Forbidden without the specific written permission of Atari Inc., Los Gatos, California. This drawing is only conditionally loaned, and neither receipt nor possession thereof confers or transfers any right in, or license to use, the subject matter of the drawing or any design or technical information shown thereon, nor any right to reproduce this drawing or any part thereof, except for manufacture under the corporation's written license, no right to reproduce this drawing is granted or the subject matter thereof unless by written agreement with or written permission from the corporation.

APPLICATION	NEXT ASSY	USED ON

INTERPRET THIS DRAWING PER USASI Y14.5

UNLESS OTHERWISE SPECIFIED DIMENSIONS ARE IN INCHES TOLERANCE: ON:

FRACTIONS = +1/16 X = +.1
 ANGLES = ±1° X = +.03
 SURFACE FINISH ✓ X = +.010

MATERIAL:
 SEE NOTE 1

DRAWN BY: S.C. 9/29/75
 DATE: 9/29/75

CHECKED:

DESIGN ENGINEER:

PROJECT ENGINEER:

DOCUMENT CONTROL:

APPROVED: DSR

ATARI INCORPORATED
 14600 Winchester Boulevard
 Los Gatos, California 95030

TITLE: TOP PANEL FOR T.V. MODULE CTS-1

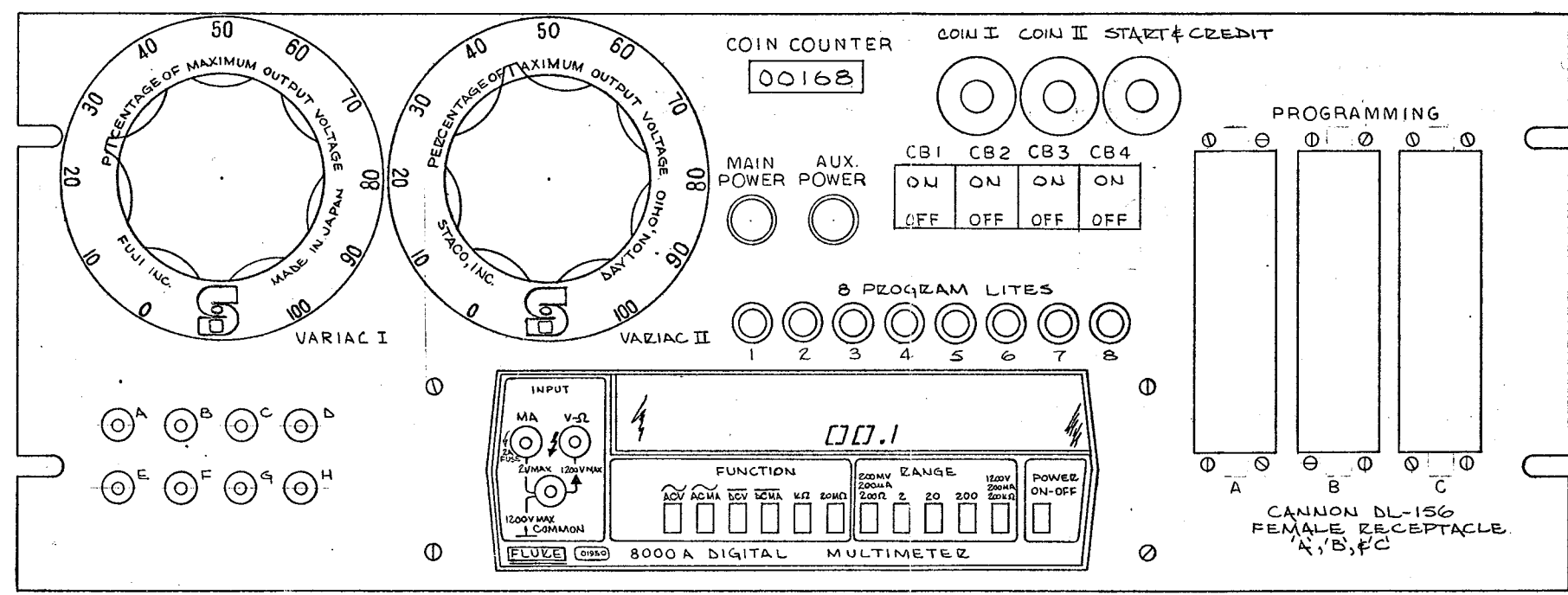
SIZE: D DRAWING NO. REV: C

SCALE: 1/1 SHEET 1 OF 1

DRAWING NO.
 SHEET
 REV


A

REVISIONS				
SYM	DESCRIPTION	INITIALS and DATE		
		DRFTG	CHECK	ENGRG

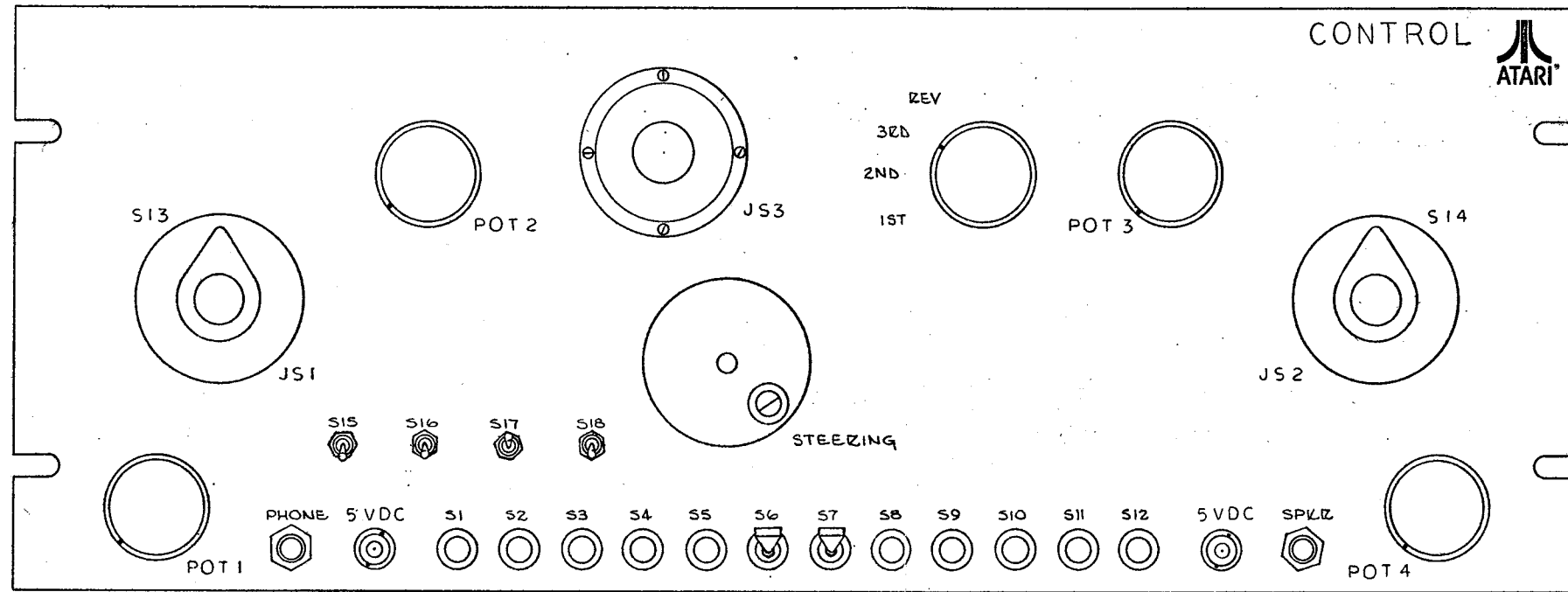


NOTICE TO ALL PERSONS RECEIVING THIS DRAWING
 CONFIDENTIAL: Reproduction Forbidden without the specific written permission of Atari Inc., Los Gatos, California. This drawing is only conditionally issued, and neither receipt nor possession thereof confers or transfers any right in, or license to use, the subject matter of the drawing or any design or technical information shown thereon, nor any right to reproduce this drawing or any part thereof, except for manufacture by vendors for Atari Incorporated and for manufacture under the corporation's written license. No right to reproduce this drawing is granted or the subject matter thereof unless by written agreement with or written permission from the corporation.

APPLICATION	NEXT ASSY	USED ON

INTERPRET THIS DRAWING PER USAS1 Y14.5	DRAWN BY TIM	DATE SEPT 8	 ATARI INCORPORATED 14600 Winchester Boulevard Los Gatos, California 95030
UNLESS OTHERWISE SPECIFIED DIMENSIONS ARE IN INCHES TOLERANCES ON:	CHECKED <i>S. Chung</i>	DESIGN ENGINEER	
FRACTIONS = 1/16	PROJECT ENGINEER	DOCUMENT CONTROL	TITLE MASTER POWER PANEL COMPONENT LOCATION CTS-1
ANGLES = 45°	APPROVED <i>DSR</i>		SIZE D
SURFACE FINISH ✓ .125 ± .010			DRAWING NO.
			SCALE 1/1
			SHEET

REVISIONS				
SYM	DESCRIPTION	INITIALS and DATE		
		DFTG	CHECK	ENGRG



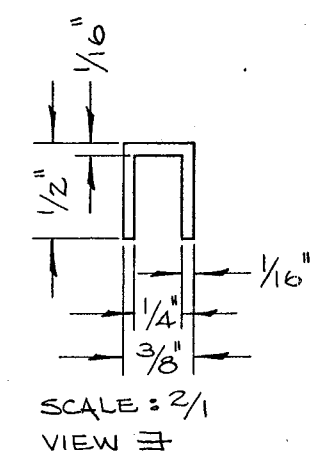
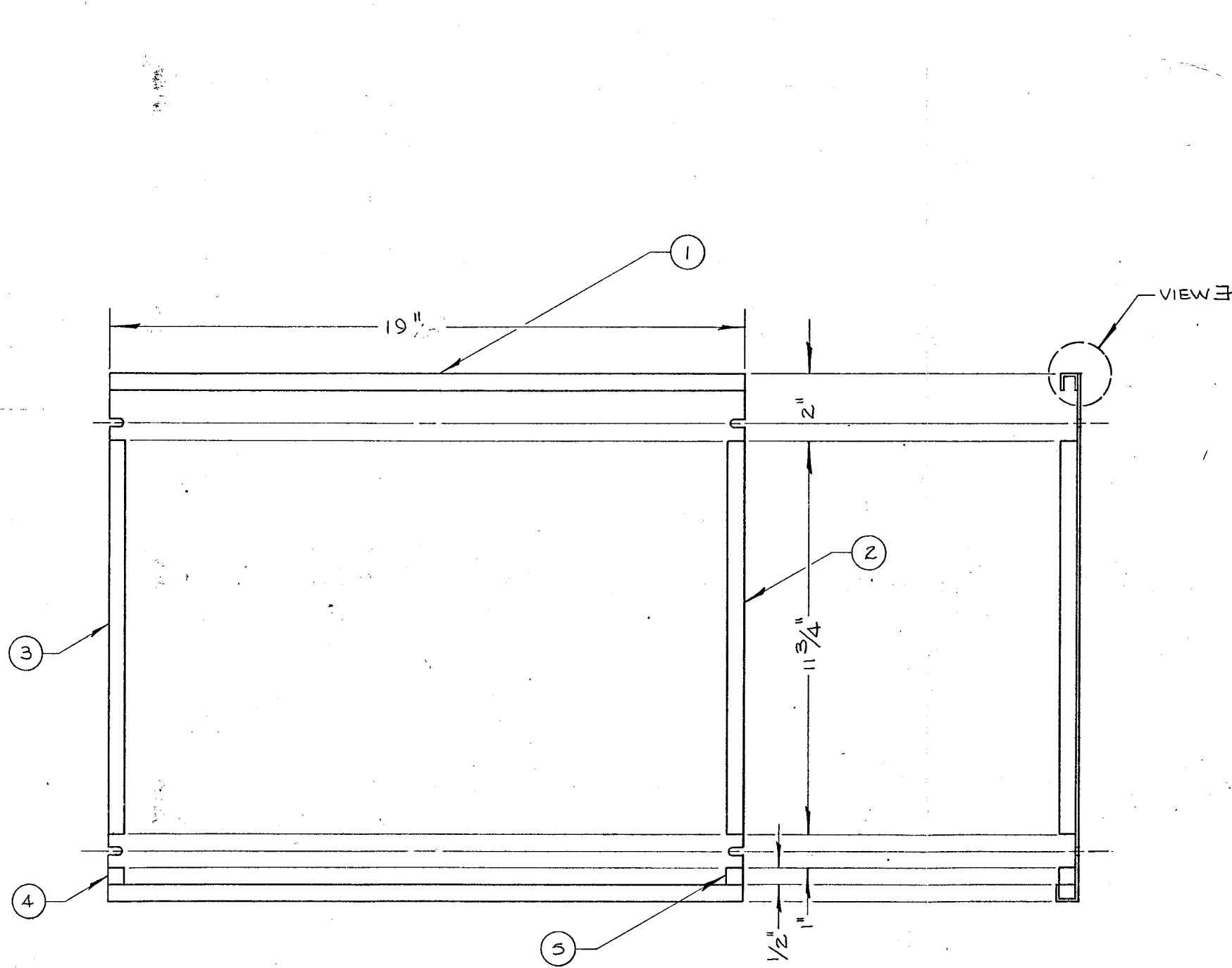
NOTICE TO ALL PERSONS RECEIVING THIS DRAWING
 CONFIDENTIAL: Reproduction Forbidden without the specific written permission of Atari Inc., Los Gatos, California. This drawing is only conditionally issued, and neither receipt nor possession thereof confers or transfers any right in, or license to use, the subject matter of the drawing or any design or technical information shown thereon, nor any right to reproduce this drawing or any part thereof, except for manufacture by vendors for Atari Incorporated and for manufacture under the corporation's written license, no right to reproduce this drawing is granted on the subject matter thereof unless by written agreement with or written permission from the corporation.

APPLICATION	USED ON

INTERPRET THIS DRAWING PER USASI Y14.5 UNLESS OTHERWISE SPECIFIED DIMENSIONS ARE IN INCHES TOLERANCES ON: FRACTIONS = ±1/16 x = ±.1 ANGLES = ±1° .xx = ±.03 SURFACE FINISH ✓ .xxx = ±.010	DRAWN BY TIM	DATE Aug 21	ATARI INCORPORATED 14600 Winchester Boulevard Los Gatos, California 95030	
	CHECKED <i>S. Chung</i> DESIGN ENGINEER	PROJECT ENGINEER		TITLE CONTROL PANEL COMPONENT LOCATION CTS-1
	MATERIAL:	DOCUMENT CONTROL		APPROVED DSR
	SIZE D	DRAWING NO.		REVISION A
SCALE N/A	SHEET 1	OF		

NOTICE TO ALL PERSONS RECEIVING THIS DRAWING
 CONFIDENTIAL. Reproduction Forbidden without the specific written permission of Atari Inc., Los Gatos, California. This drawing is only conditionally issued, and neither receipt nor possession thereof confers or transfers any right in, or license to use, the subject matter of the drawing or any design or technical information shown thereon, nor any right to reproduce this drawing or any part thereof, except for manufacture by vendors for Atari Incorporated and for manufacture under the corporation's written license, no right to reproduce the drawing is granted or the subject matter thereof unless by written agreement with or written permission from the corporation.

REVISIONS				
ZONE	SYM	DESCRIPTION	DATE	APPROVED



NOTE:
 1. (1)(2)(3)(4)(5) ARE SPACERS WITH SPECS SHOWN IN VIEW F.
 2. SPACERS TO BE ADHERED TO T.V. TOP WITH TWO WAY TAPE.
 3. SPACERS WHEN PLACED SHOULD HAVE OPEN END FACING TOWARDS CENTER.

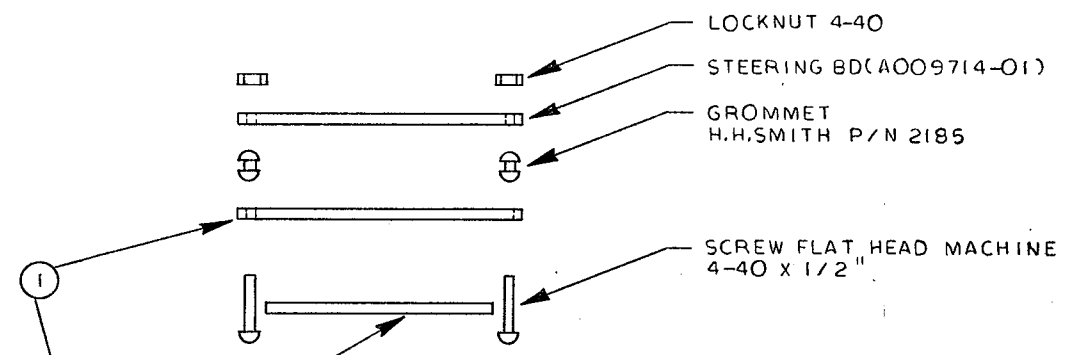
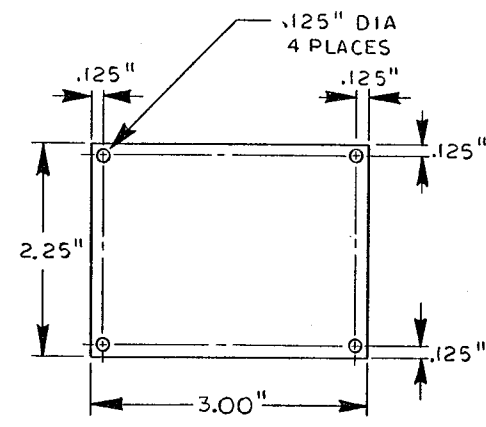
OUTSTANDING ECNs	

NOTES: UNLESS OTHERWISE SPECIFIED

UNLESS OTHERWISE SPECIFIED DIMENSIONS ARE IN INCHES TOLERANCES ON: ANGLES = ±1° SURFACE FINISH ✓ .03 ✓ .010	DO NOT SCALE DRAWING	ATARI INCORPORATED 14600 Winchester Boulevard Los Gatos, California 95030
	DRAWN BY TIM	
MATERIAL:	CHECKED:	TITLE SPACER LOCATION ON T.V. TOP
FINISH:	ENGINEER:	
NEXT ASSY:	PROJECT ENGINEER:	SIZE D DRAWING NO. _____ REV A
USED ON:	MFG ENGINEER:	SCALE 1/2 SHEET 1 OF 1
APPLICATION:		

SYM	REVISIONS DESCRIPTION	DATE	APPROVED

STEERING BOARD MOUNTING BLOCKS



NOTES:
 THE MATERIAL
 ① 1/8" PHENOLIC
 ② DOUBLE SIDE TAPE

BEARING. PRELOAD SPRING SV-9 P214

BRASS BUSHING 1/8" ID.-3/16" OD. GROOVE B6-9

SPACER SS 2-35 P216

STAINLESS ST. GROUND SHAFT S4-17 P192 SEE DETAIL A

RETAINER RING Q1-25 P201

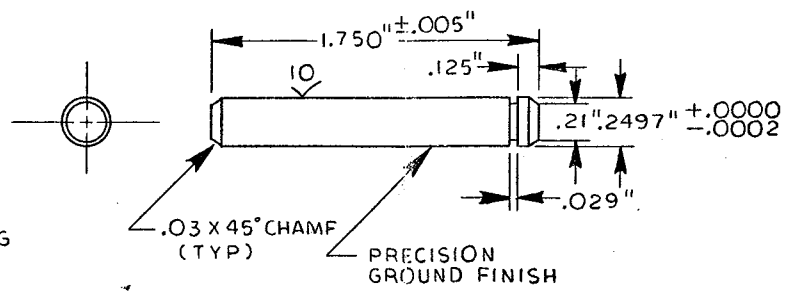
LIGHT HUB 000616

INT. RETAINER RING Q4-62 P202

BALL BEARING B1-9 P203

BEARING MOUNTING PLATE BC 22-3T P146

HAND CRANK. CN2-9 P153



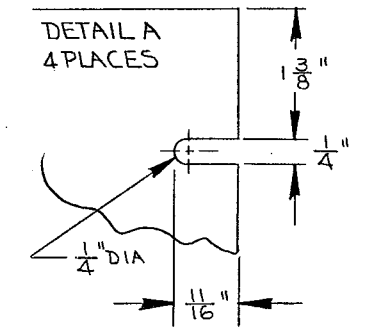
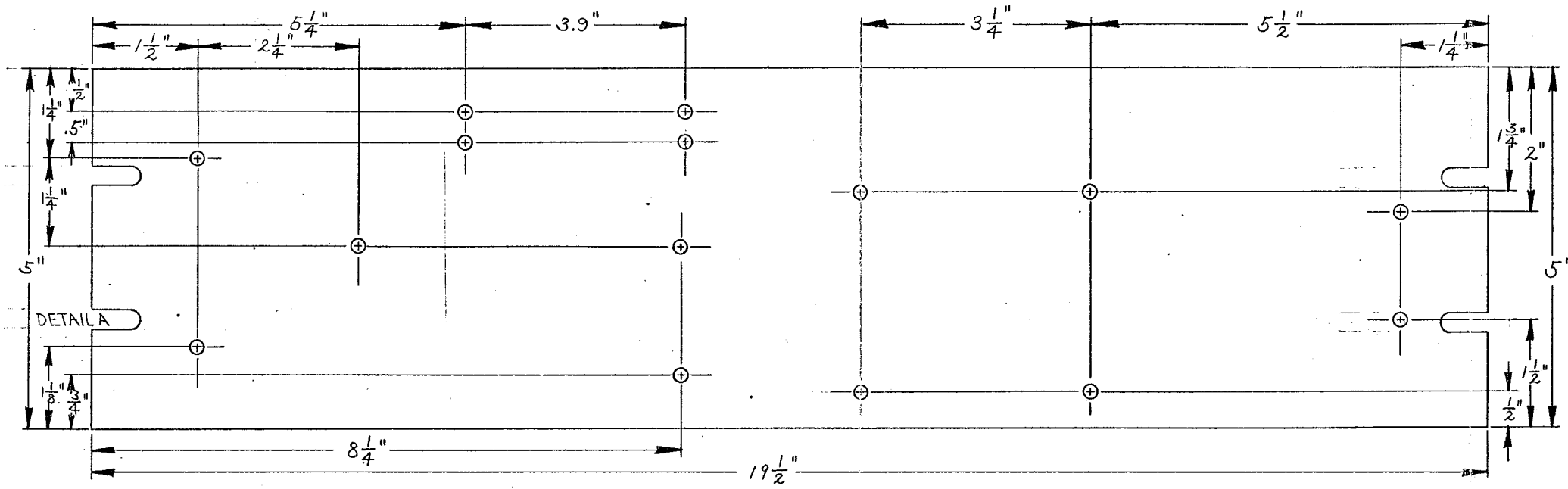
DETAIL A

OUTSTANDING ECNs	

UNLESS OTHERWISE SPECIFIED DIMENSIONS ARE IN INCHES TOLERANCES (IN): ANGLES = ±.1° SURFACE FINISH ✓ MATERIAL: FINISH:	DO NOT SCALE DRAWING DRAWN BY: S. Chung 12/18 CHECKED: ENGINEER: PROJECT ENGINEER: MFG ENGINEER:	Atari, Inc. 1265 Borregas Avenue Sunnyvale, Calif. 94086 A Warner Communications Company
NOTICE TO ALL PERSONS RECEIVING THIS DRAWING CONFIDENTIAL: Reproduction Forbidden without the specific written permission of Atari Inc., Los Gatos, California. This drawing is only conditionally issued, and neither receipt nor possession thereof confers or transfers any right in, or license to use, the subject matter of the drawing or any design or technical information shown thereon, nor any right to reproduce this drawing or any part thereof, except for manufacture by vendors for Atari Incorporated and for manufacture under the corporation's written license. No right to reproduce this drawing is granted or the subject matter thereof unless by written agreement with or written permission from the corporation.	TITLE STEERING ASSEMBLY PICTORIAL CTS-1	SIZE: D DRAWING NO.: REV: B

NOTICE TO ALL PERSONS RECEIVING THIS DRAWING
 CONFIDENTIAL. Reproduction Forbidden without the specific written permission of Atari Inc., Los Gatos, California. This drawing is only conditionally issued, and neither receipt nor possession thereof confers or transfers any right in, or license to use, the subject matter of the drawing or any design or technical information shown thereon, nor any right to reproduce this drawing or any part thereof, except for manufacture by vendors for Atari Incorporated and for manufacture under the corporation's written license, no right to reproduce this drawing is granted or the subject matter thereof unless by written agreement with or written permission from the corporation.

REVISIONS				
ZONE	SYM	DESCRIPTION	DATE	APPROVED




- NOTES:
1. MATERIAL IS 1/8" MILD STEEL.
 2. BREAK SHARP CORNERS, EDGES, AND REMOVE ALL BURRS.
 3. ALL HOLES ARE 3/16" DIA.
 4. FINISH IS CAUSTIC ETCH FLAT BLACK.

OUTSTANDING ECNs	

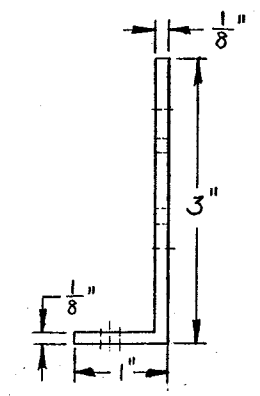
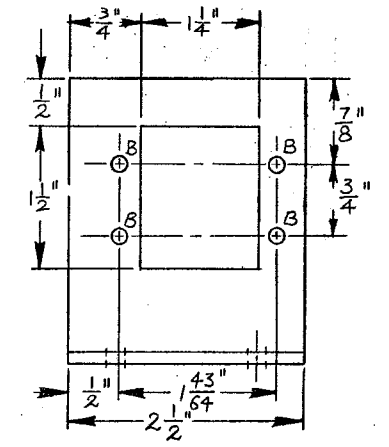
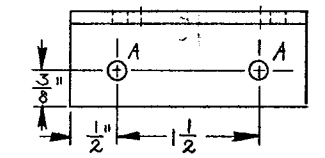
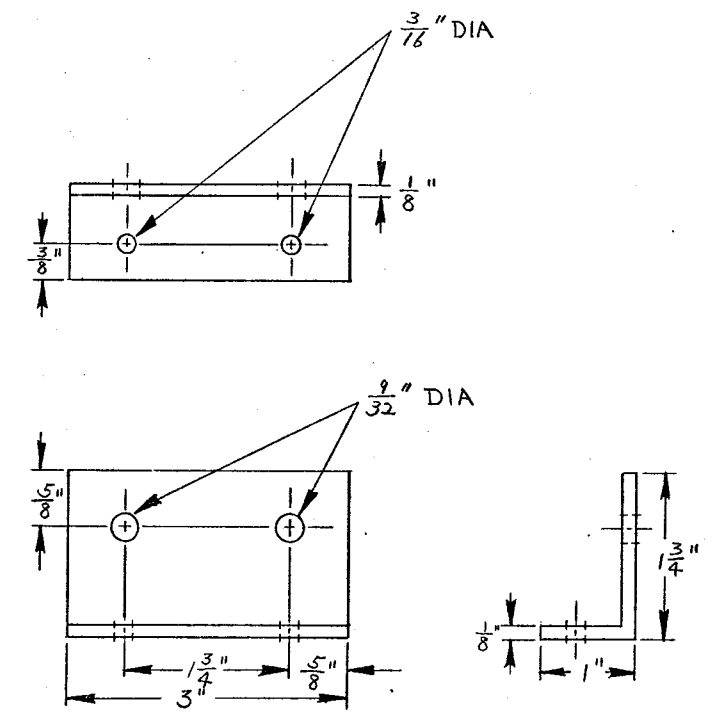
NOTES: UNLESS OTHERWISE SPECIFIED

APPLICATION	USED ON

UNLESS OTHERWISE SPECIFIED DIMENSIONS ARE IN INCHES TOLERANCES ON: ANGLES = ±1° SURFACE FINISH ✓ .xxx = .010	DO NOT SCALE DRAWING	 ATARI INCORPORATED 14600 Winchester Boulevard Los Gatos, California 95030
	DRAWN BY: <i>AC</i> DATE: <i>Aug 30</i> CHECKED: _____ ENGINEER: _____ PROJECT ENGINEER: _____ MFG ENGINEER: _____	
MATERIAL: SEE NOTE 1	FINISH: SEE NOTE 4	SIZE: D DRAWING NO.: AUX-001 REV: A SCALE: 1/1 SHEET OF: 1

NOTICE TO ALL PERSONS RECEIVING THIS DRAWING
 CONFIDENTIAL. Reproduction Forbidden without the specific written permission of Atari Inc., Los Gatos, California. This drawing is only conditionally issued, and neither receipt nor possession thereof confers or transfers any right in, or license to use, the subject matter of the drawing or any design or technical information shown thereon, nor any right to reproduce the drawing or any part thereof, except for manufacture by vendor for Atari Incorporated and for manufacture under the corporation's written license, no right to reproduce this drawing is granted on the subject matter thereof unless by written agreement with or written permission from the corporation.

REVISIONS				
ZONE	SYM	DESCRIPTION	DATE	APPROVED




LTR	QTY	DIA
A	2	3/16"
B	4	5/32"

- NOTES :
1. MATERIAL IS FORMED OR EXTRUDED 1/8" ALUMINUM.
 2. BREAK SHARP CORNERS, EDGES AND REMOVE ALL BURRS.
 3. FINISH: CHARCOAL PAINT.

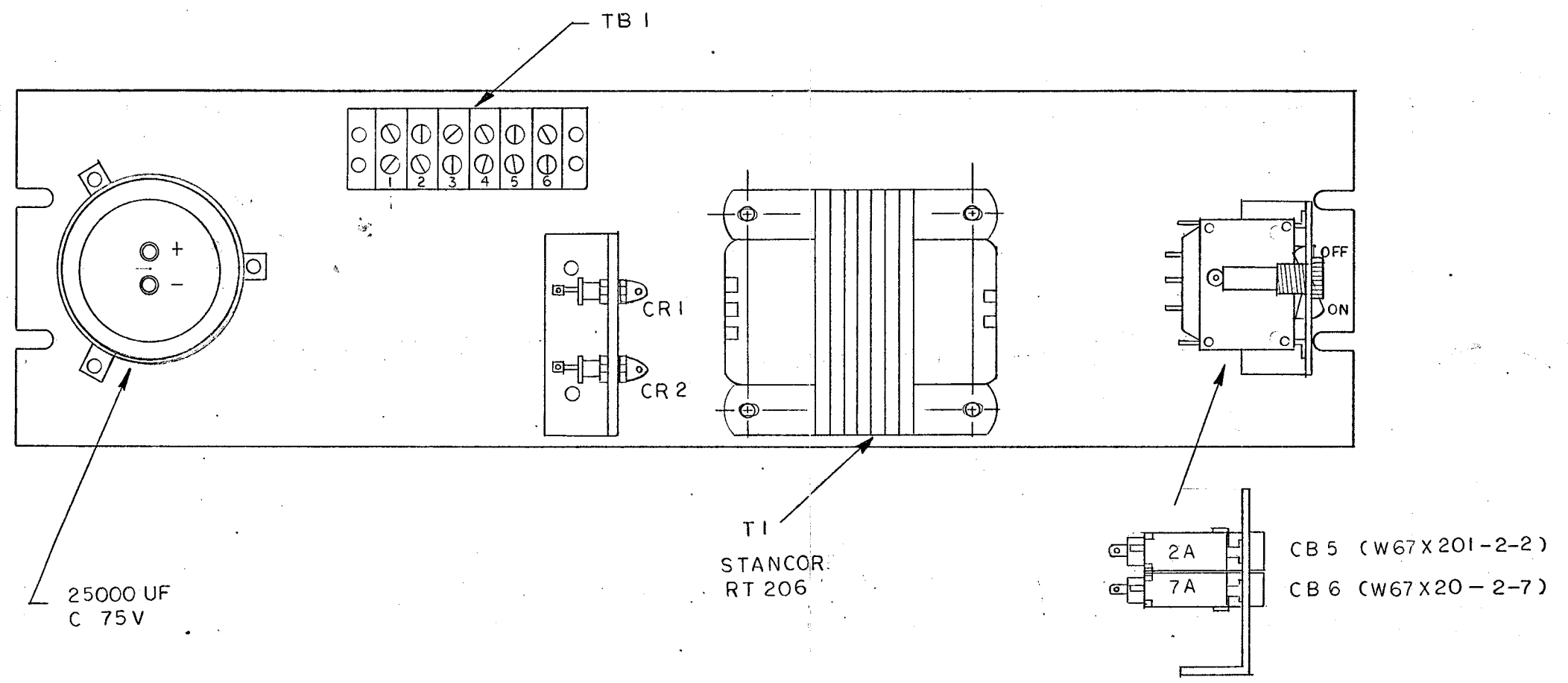
OUTSTANDING ECNs	

NOTES: UNLESS OTHERWISE SPECIFIED

UNLESS OTHERWISE SPECIFIED DIMENSIONS ARE IN INCHES TOLERANCES ON: ANGLES = ±1° SURFACE FINISH: .x = A.1 .xx = A.03 .xxx = A.010	DO NOT SCALE DRAWING	 ATARI INCORPORATED 14600 Winchester Boulevard Los Gatos, California 95030
	DRAWN BY: <i>Sec. Aug. 1976</i>	
MATERIAL: SEE NOTES	CHECKED:	TITLE: DIODE & CIRCUIT BREAKER MOUNTING BRACKETS AUXILIARY POWER SUPPLY
FINISH: SEE NOTES	ENGINEER:	PROJECT ENGINEER:
SIZE: D	APPLICATION:	MFG ENGINEER:
DRAWING NO.: AUX-002	SCALE:	REV: B
SHEET: 1	OF:	

NOTICE TO ALL PERSONS RECEIVING THIS DRAWING
 CONFIDENTIAL. Reproduction Forbidden without the specific written permission of Atari Inc., Los Gatos, California. This drawing is only conditionally issued, and neither receipt nor possession thereof confers or transfers any right in, or license to use, the subject matter of the drawing or any design or technical information shown thereon, nor any right to reproduce this drawing or any part thereof, except for manufacture by vendors for Atari Incorporated and for manufacture under the corporation's written license, no right to reproduce this drawing is granted or the subject matter thereof unless by written agreement with or written permission from the corporation.

REVISIONS				
ZONE	SYM	DESCRIPTION	DATE	APPROVED



OUTSTANDING ECNs	

NOTES: UNLESS OTHERWISE SPECIFIED

UNLESS OTHERWISE SPECIFIED DIMENSIONS ARE IN INCHES TOLERANCES ON: ANGLES = ±1° SURFACE FINISH = .010	DO NOT SCALE DRAWING		ATARI INCORPORATED 14600 Winchester Boulevard Los Gatos, California 95030	
	DRAWN BY <i>Tom</i>	DATE Aug 31, 76		TITLE AUXILIARY POWER SUPPLY COMPONENT LOCATION
	CHECKED	ENGINEER		PROJECT ENGINEER
	MATERIAL:			MFG ENGINEER
FINISH:		SIZE D	DRAWING NO. AUX-003	
NEXT ASSY		USED ON	REV B	
APPLICATION		SHEET OF		

