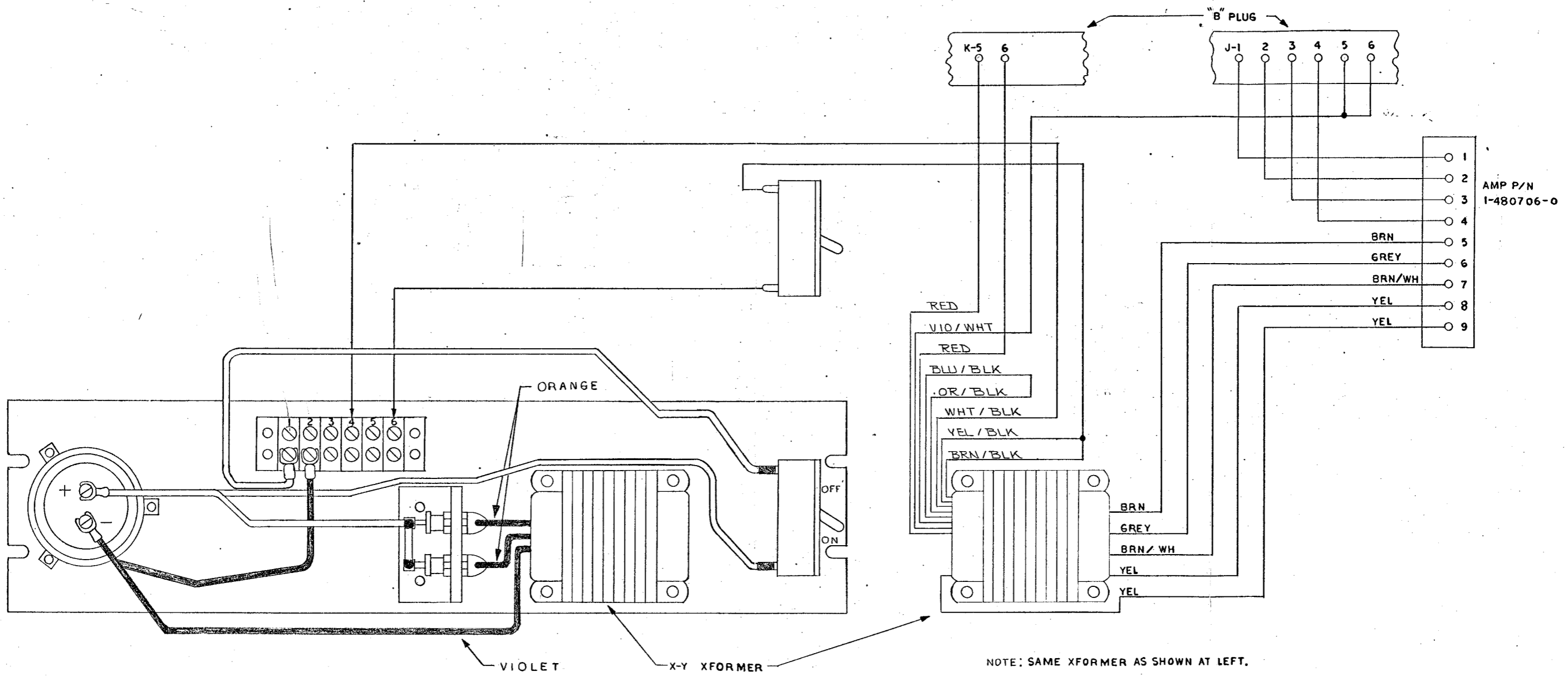


SYM	REVISIONS DESCRIPTION	DATE	APPROVED



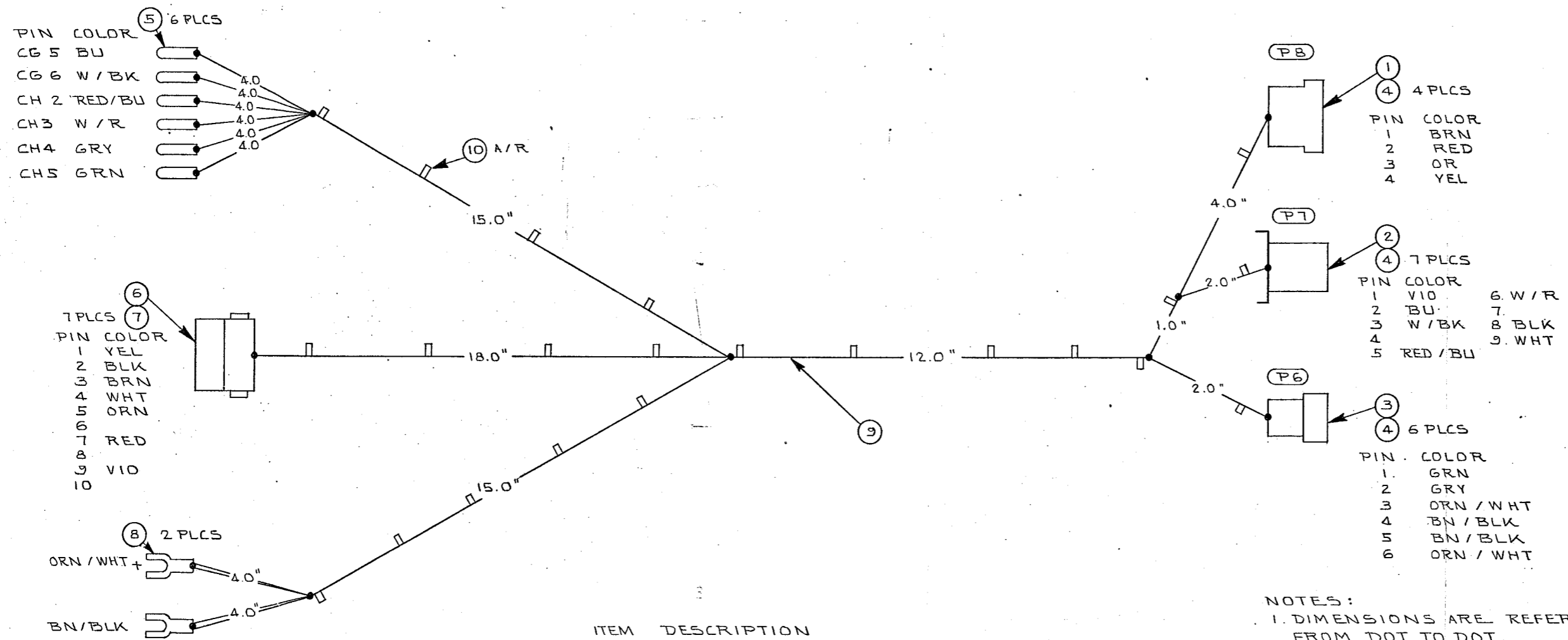
NOTE: SAME XFORMER AS SHOWN AT LEFT.

OUTSTANDING ECNs	

UNLESS OTHERWISE SPECIFIED DIMENSIONS ARE IN INCHES TOLERANCES ON: ANGLES = ±1° X .X ± .1 XX ± .03 SURFACE FINISH .XXX ± .005 MATERIAL: FINISH:	DO NOT SCALE DRAWING DRAWN BY: <i>John M...</i> DATE: CHECKED: ENGINEER: <i>John M...</i> PROJECT ENGINEER: <i>John M...</i> ENGINEER:	Atari, Inc. 1265 Borregas Avenue Sunnyvale, Calif. 94086 A Warner Communications Company ATARI TITLE: MODIFIED WIRING DIAGRAM AUXILIARY PWR SUPPLY SIZE: D DRAWING NO. REV: SCALE: SHEET OF:
---	--	---

NOTICE TO ALL PERSONS RECEIVING THIS DRAWING
 CONFIDENTIAL: Reproduction Forbidden without the specific written permission of Atari Inc., Los Gatos, California. This drawing is only conditionally issued, and neither receipt nor possession thereof confers or transfers any right in, or license to use, the subject matter of the drawing or any design or technical information shown thereon, nor any right to reproduce this drawing or any part thereof, except for manufacture by vendors for Atari Incorporated and for manufacture under the corporation's written license, no right to reproduce this drawing is granted or the subject matter thereof unless by written agreement with or written permission from the corporation.

SYM	REVISIONS DESCRIPTION	DATE	APPROVED
A	PROTOTYPE RELEASE	9/6/76	



- ITEM DESCRIPTION
- ① PLUG HOUSING 4 CKT MOLEX # 03-09-2042
 - ② PLUG HOUSING 9 CKT MOLEX # 03-09-2091
 - ③ PLUG HOUSING 6 CKT MOLEX # 03-09-2062
 - ④ MALE CONTACT MOLEX # 02-09-2103 (14-20)
 - ⑤ ITT CANNON DL 110238-39
 - ⑥ MATE-N-LOCK AMP 1-480339-0
 - ⑦ MALE CONTACT AMP 60618-1
 - ⑧ CRIMP TERM HH SMITH 4890
 - ⑨ WIRE STRANDED TINNED COPPER UL1015 18AWG
 - ⑩ TIE WRAP (MINIATURE)

NOTES:

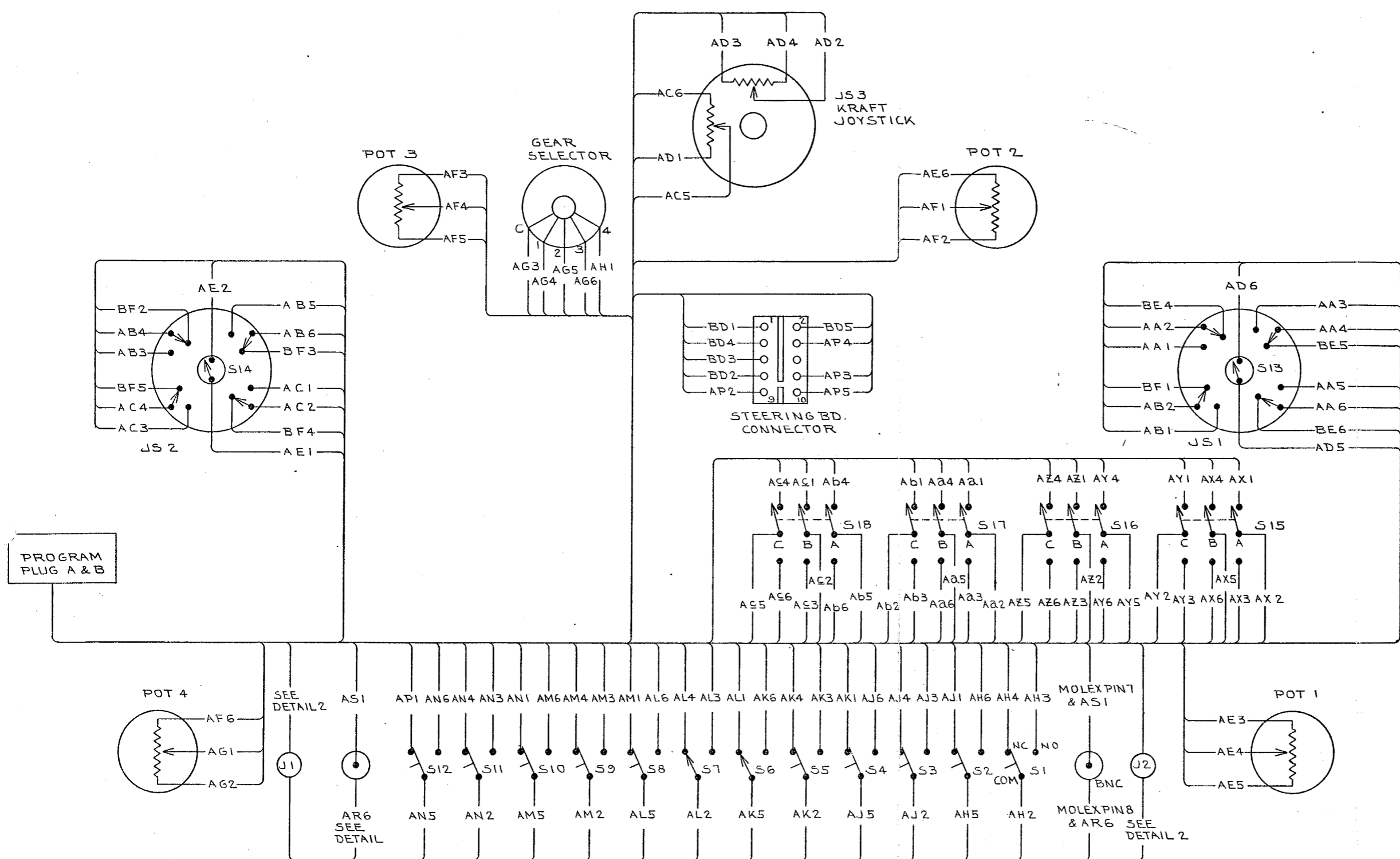
1. DIMENSIONS ARE REFERENCED FROM DOT TO DOT.
2. INSTALL TIEWRAP AS SHOWN
3. ○ DENOTES STATION NUMBER (REFERENCE DESIGNATION)

OUTSTANDING ECNs

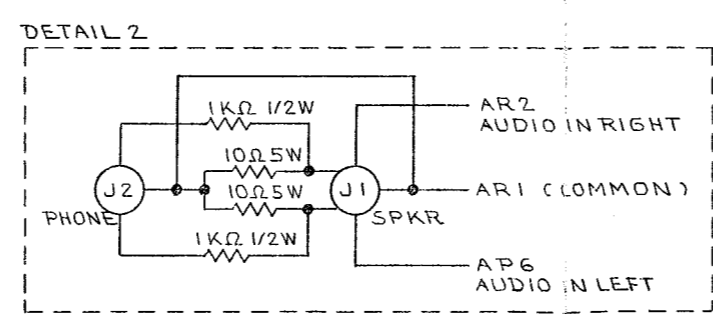
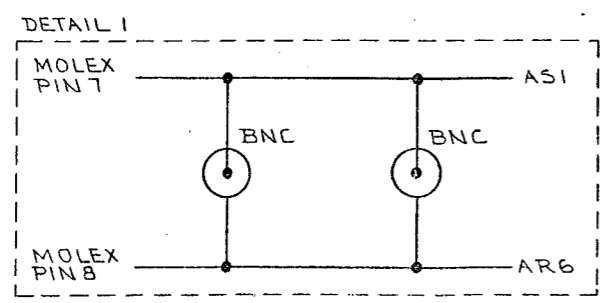
UNLESS OTHERWISE SPECIFIED DIMENSIONS ARE IN INCHES TOLERANCES:	DO NOT SCALE DRAWING	<p>Atari, Inc. 1265 Borregas Avenue Sunnyvale, Calif. 94086 A Warner Communications Company</p>
ANGLES ± 1° SURFACE FINISH ✓ MATERIAL: SEE P/L	DRAWN BY: S. Chung 9/6/79 DATE: 9/6/79 CHECKED: [Signature] ENGINEER: [Signature] PROJECT ENGINEER: [Signature] MFG ENGINEER: [Signature]	
FINISH: NONE	SCALE: ~	REV: A

NOTICE TO ALL PERSONS RECEIVING THIS DRAWING: CONFIDENTIAL. Reproduction Forbidden without the specific written permission of Atari Inc., Los Gatos, California. This drawing is only conditionally issued, and neither receipt nor possession thereof confers or transfers any right in, or license to use, the subject matter of the drawing or any design or technical information shown thereon, nor any right to reproduce this drawing or any part thereof, except for manufacture by vendors for Atari Incorporated and for manufacture under the corporation's written license, no right to reproduce this drawing is granted on the subject matter thereof unless by written agreement with or written permission from the corporation.

SYM	REVISIONS DESCRIPTION	DATE	APPROVED



PROGRAM PLUG A & B



OUTSTANDING ECNS

--	--

UNLESS OTHERWISE SPECIFIED DIMENSIONS ARE IN INCHES TOLERANCES OF:
 ANGLES ±1°
 SURFACE FINISH ✓
 MATERIAL:
 FINISH:

DO NOT SCALE DRAWING
 DRAWN BY: S. Chung 1.10
 CHECKED:
 ENGINEER:
 PROJECT ENGINEER:
 MFG ENGINEER:

ATARI
 Atari, Inc.
 1265 Borregas Avenue
 Sunnyvale, Calif. 94085
 A Warner Communications Company

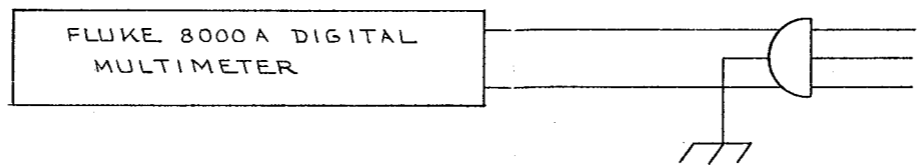
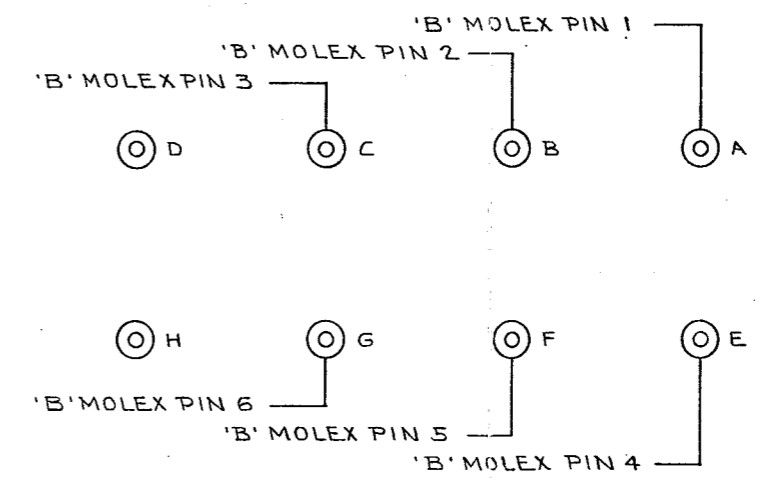
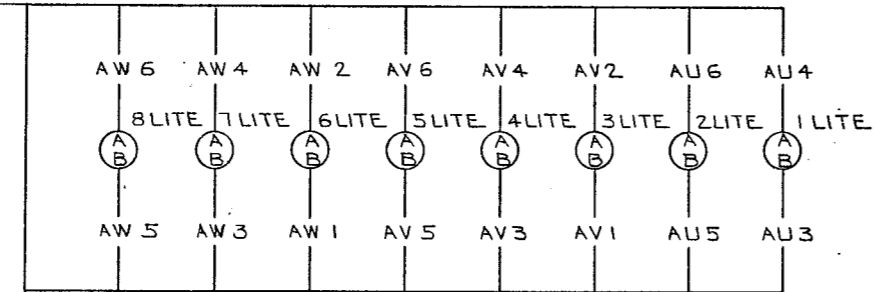
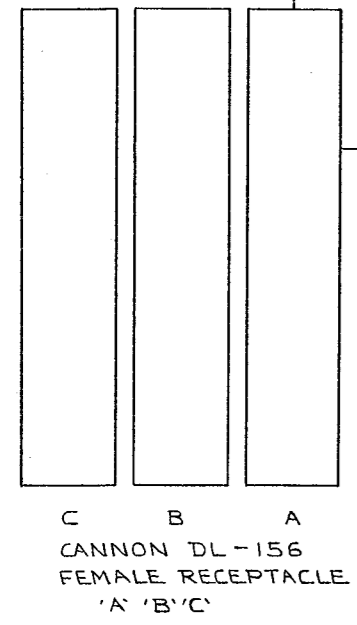
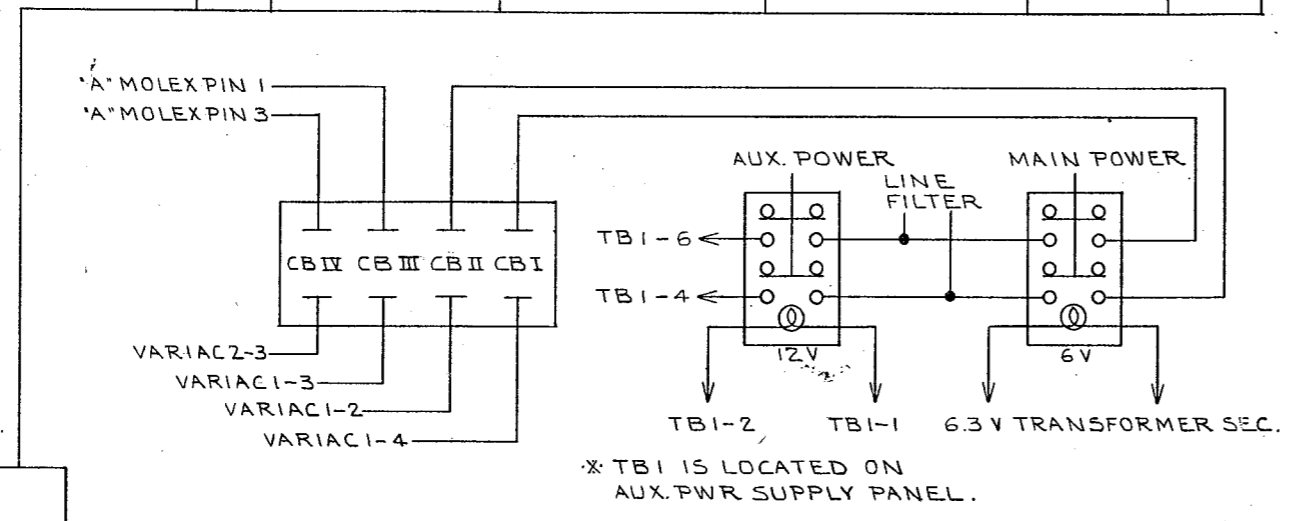
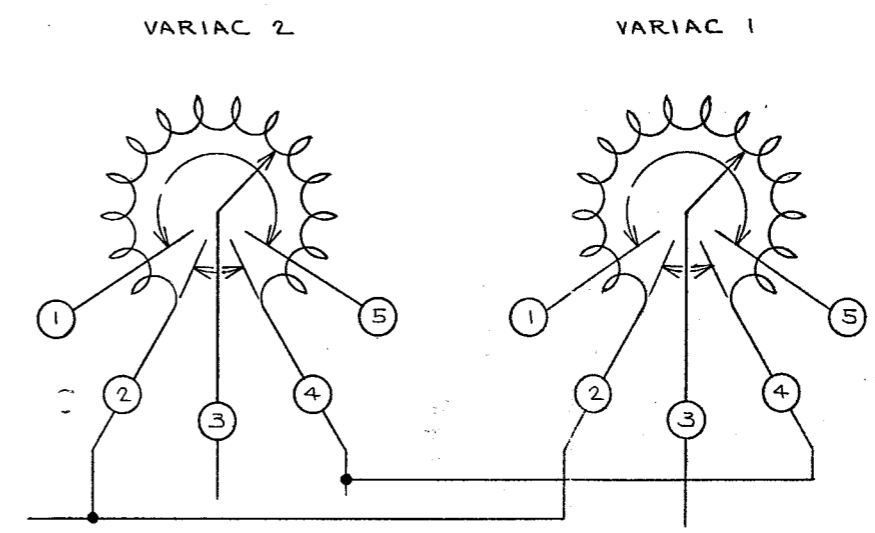
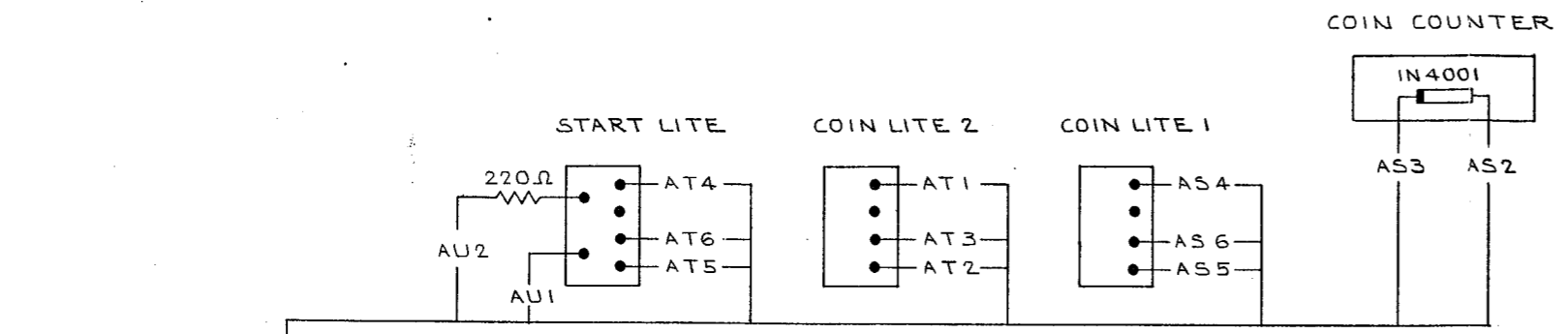
TITLE: WIRING DIAGRAM CONTROL PANEL CTS-1

SIZE: D DRAWING NO: REV: A

SCALE: ~ SHEET: OF:

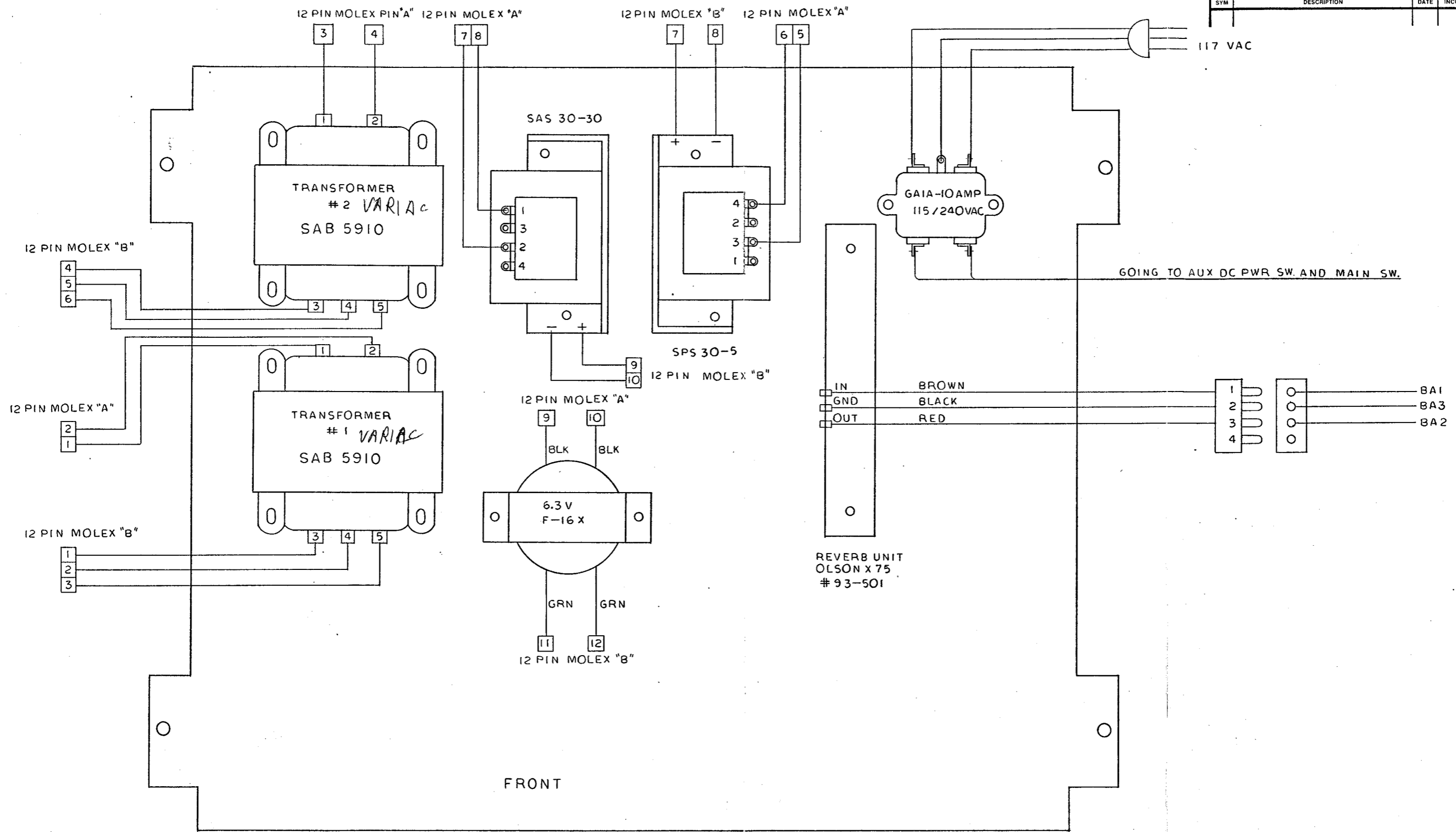
NOTICE TO ALL PERSONS RECEIVING THIS DRAWING
 CONFIDENTIAL: Reproduction Forbidden without the specific written permission of Atari, Inc., Los Gatos, California. This drawing is only conditionally issued, and neither receipt nor possession thereof confers or transfers any right in, or license to use, the subject matter of the drawing or any design or technical information shown thereon, nor any right to reproduce this drawing or any part thereof, except for manufacture by vendors for Atari Incorporated and for manufacture under the corporation's written license, no right to reproduce this drawing is granted or the subject matter thereof unless by written agreement with or written permission from the corporation.

REVISIONS					
SYM	DESCRIPTION	DATE	INCRP	CHECK	APPROVED



DO NOT SCALE DRAWING	DRAWN BY <i>Schung</i> 1/25	DATE	 Atari, Inc. 1285 Borregas Avenue Sunnyvale, Calif. 94088 A Atari Communications Company
UNLESS OTHERWISE SPECIFIED DIMENSIONS ARE IN INCHES TOLERANCES ON:	CHECKED BY	DATE	
ANGLES ±1°	ENGR, MECH	DATE	TITLE WIRING DIAGRAM MASTER PWR PANEL CTS-1
SURFACE FINISH ✓	ENGR, ELECT	DATE	SIZE D
MATERIAL:	INDUSTRIAL DESIGN	DATE	DRAWING NO.
FINISH:	HARNESS DESIGN	DATE	REV B
NOTICE TO ALL PERSONS RECEIVING THIS DRAWING CONFIDENTIAL: Reproduction forbidden without the specific written permission of Atari, Inc., Sunnyvale, California. This drawing is only conditionally issued, and neither receipt nor possession thereof confers or transfers any right in, or license to use, the subject matter of the drawing or any design or technical information shown thereon, nor any right to reproduce this drawing or any part thereof, except for manufacture by vendors of Atari, incorporated and for manufacture under the corporation's written license, no right to reproduce this drawing is granted or the subject matter thereof unless by written agreement with or written permission from the corporation.	PROJECT ENGR	DATE	SCALE
	MFG ENGR	DATE	SHEET OF

REVISIONS					
SYM	DESCRIPTION	DATE	INCP	CHECK	APPROV

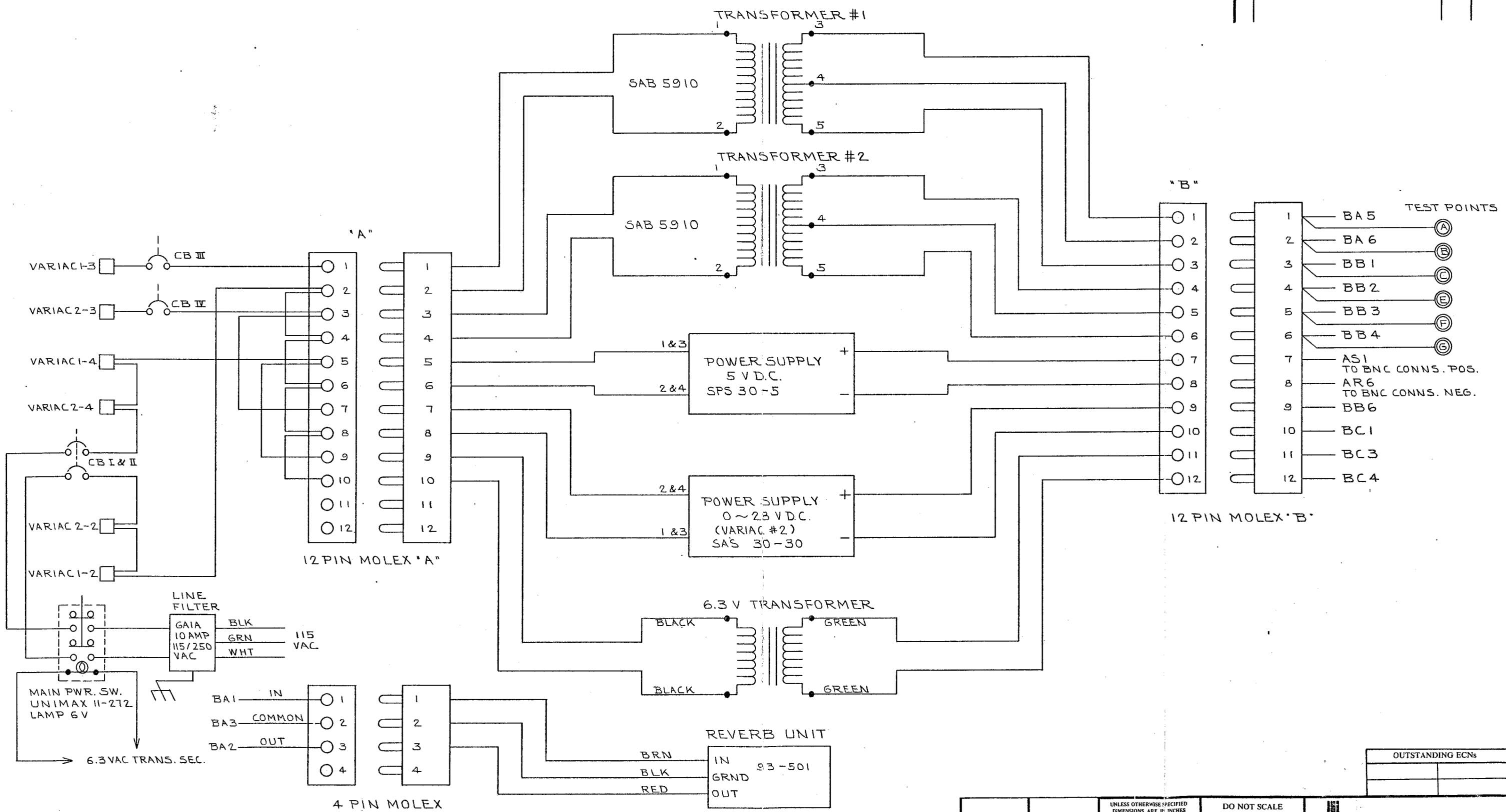


DO NOT SCALE DRAWING	DRAWN BY <i>S. Chung</i>	DATE 3/12	<p>Atari, Inc. 1265 Borregas Avenue Sunnyvale, Calif. 94088</p>
UNLESS OTHERWISE SPECIFIED DIMENSIONS ARE IN INCHES TOLERANCES ON:	CHECKED BY	DATE	
ANGLES ±1°	ENGR. MECH	DATE	TITLE POWER SUPPLY COMPONENT LOCATION
SURFACE FINISH	ENGR. ELECT	DATE	CTS-1
MATERIAL:	INDUSTRIAL DESIGN	DATE	SIZE D
FINISH:	HARNESS DESIGN	DATE	DRAWING NO.
NOTICE TO ALL PERSONS RECEIVING THIS DRAWING CONFIDENTIAL: Reproduction forbidden without the specific written permission of Atari, Inc., Sunnyvale, California. This drawing is only conditionally issued, and neither receipt nor possession thereof confers or transfers any right in, or license to use, the subject matter of the drawing or any design or technical information shown thereon, nor any right to reproduce this drawing or any part thereof, except for manufacture by vendors of Atari, Incorporated and for manufacture under the corporation's written license, no right to reproduce this drawing is granted or the subject matter thereof unless by written agreement with or written permission from the corporation.	PROJECT ENGR	DATE	REV
	MFG ENGR	DATE	SCALE
			SHEET OF

DRAWING NO. SHEET REV.

C B A

SYM	REVISIONS DESCRIPTION	DATE	APPROVED



TEST POINTS

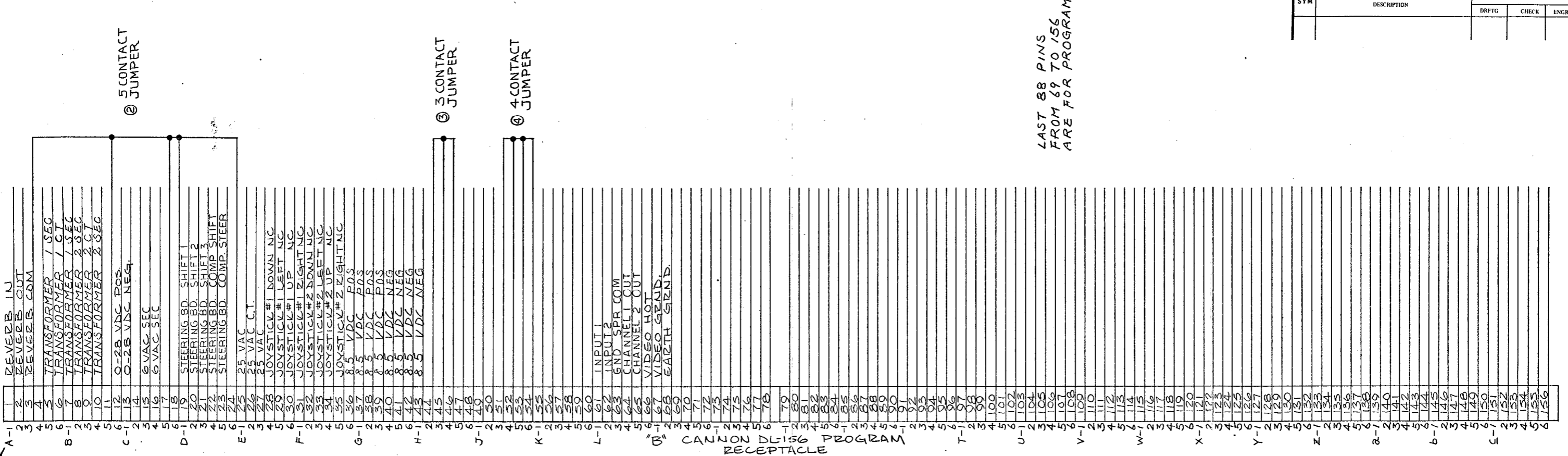
1	BA 5	(A)
2	BA 6	(B)
3	BB 1	(C)
4	BB 2	(E)
5	BB 3	(F)
6	BB 4	(G)
7	AS1 TO BNC CONNS. POS.	
8	AR6 TO BNC CONNS. NEG.	
9	BB 6	
10	BC 1	
11	BC 3	
12	BC 4	

OUTSTANDING ECNs	

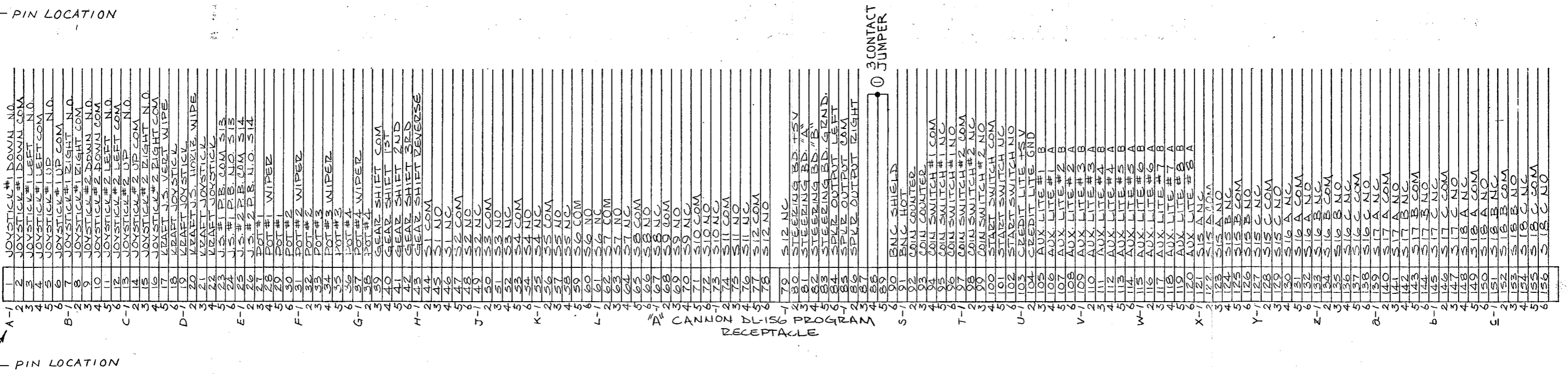
UNLESS OTHERWISE SPECIFIED DIMENSIONS ARE IN INCHES TOLERANCES IN:		DO NOT SCALE DRAWING		<p>Atari, Inc. 1285 Borregas Avenue Sunnyvale, Calif. 94086 A Warner Communications Company</p>
ANGLES ± 1°	3/16 ± .01	DRAWN BY	DATE	
SURFACE FINISH	2X ± .005	S. Chung, 12/20		TITLE
MATERIAL:		CHECKED		POWER SUPPLY WIRING DIAGRAM
FINISH:		ENGINEER		CTS-1
NOTICE TO ALL PERSONS RECEIVING THIS DRAWING: CONFIDENTIAL. Reproduction Forbidden without the specific written permission of Atari, Inc., Los Gatos, California. This drawing is only conditionally issued and neither receipt nor possession thereof confers or transfers any right in, or license to use, the subject matter of the drawing or any design or technical information shown thereon, nor any right to reproduce this drawing or any part thereof, except for manufacture by vendors for Atari Incorporated and for manufacture under the corporation's written license. No right to reproduce this drawing is granted or the subject matter thereof unless by written agreement with or written permission from the corporation.		PROJECT ENGINEER		SIZE
		MFG ENGINEER		D
		SCALE		DRAWING NO.
				REV
				B
				SHEET
				OF

DRAWING NO. SHEET REV

SYM	DESCRIPTION	INITIALS and DATE		
		DFTG	CHECK	ENGR



LAST 88 PINS
FROM 69 TO 156
ARE FOR PROGRAMMING

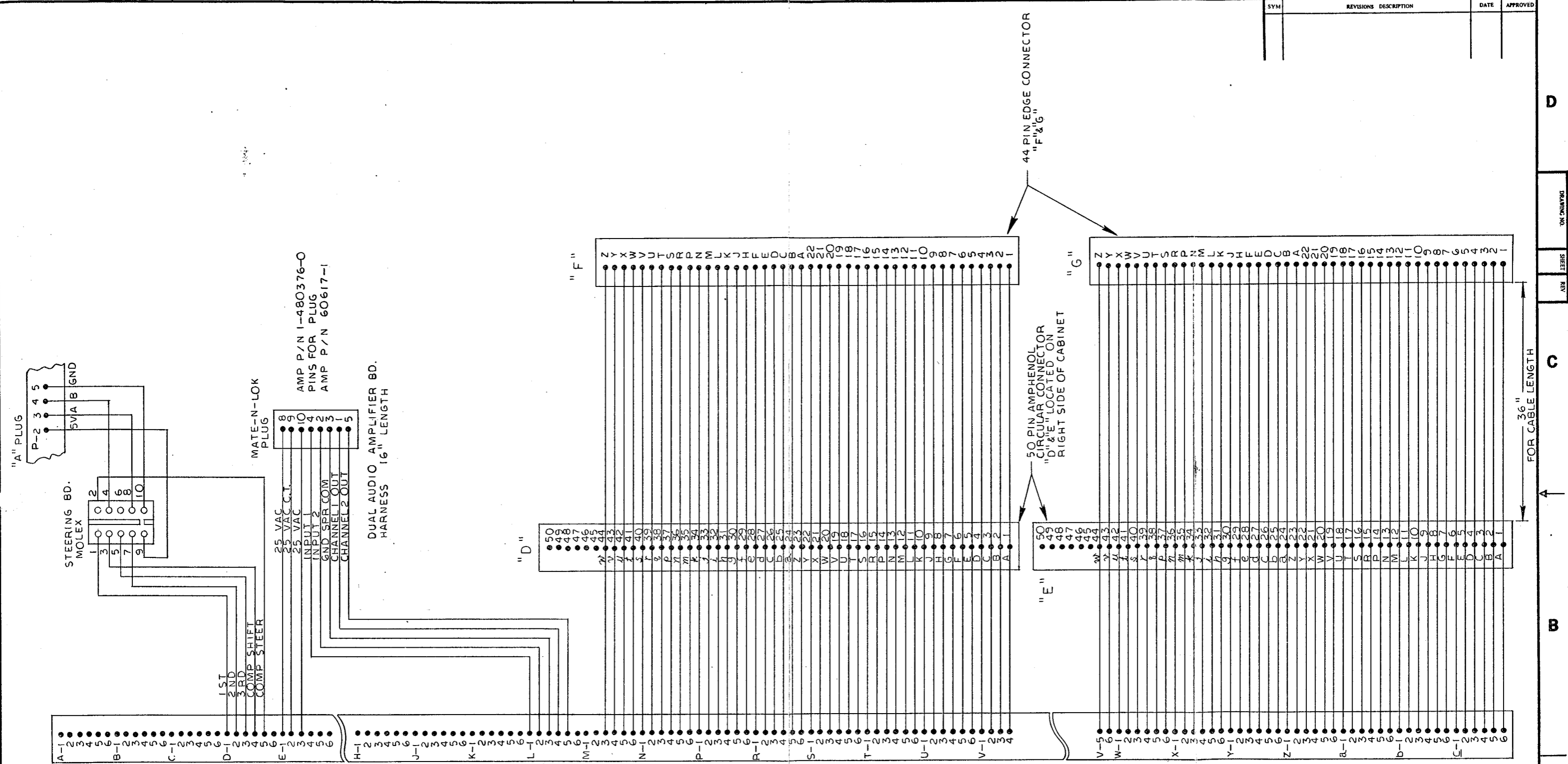


NOTICE TO ALL PERSONS RECEIVING THIS DRAWING
CONFIDENTIAL: Reproduction Forbidden without the specific written permission of Atari Inc., Los Gatos, California. This drawing is only conditionally issued, and neither receipt nor possession thereof confers or transfers any right in, or title to use, the subject matter of the drawing or any design or technical information shown thereon, nor any right to reproduce this drawing or any part thereof, except for manufacture by vendors for Atari Incorporated and for manufacture under the corporation's written license, no right to reproduce this drawing is granted or the subject matter thereof unless by written agreement with or written permission from the corporation.

INTERPRET THIS DRAWING PER USASI Y14.5	DRAWN BY TIM	DATE SEPT 83
UNLESS OTHERWISE SPECIFIED DIMENSIONS ARE IN INCHES TOLERANCES ON:	CHECKED S. Chung	DESIGN ENGINEER
FRACTIONS = 1/16 . . . = .0625 ANGLES = 15° = .03 SURFACE FINISH = .xxx . . . = .010	PROJECT ENGINEER	
MATERIAL:	DOCUMENT CONTROL	
	APPROVED DSR	
NEXT ASSY	USED ON	
APPLICATION		

ATARI INCORPORATED 14600 Winchester Boulevard Los Gatos, California 95030	
TITLE PROGRAM PLUG WIRING DIAGRAM	REV D
SCALE N/A	SHEET 1 OF 1

SYM	REVISIONS	DESCRIPTION	DATE	APPROVED



DRAWING NO. SHEET REV. FOR CABLE LENGTH

CANNON DL-156 PROGRAM RECEPTACLE
"B" RECEPTACLE

NEXT ASSY		USED ON		APPLICATION		UNLESS OTHERWISE SPECIFIED DIMENSIONS ARE IN INCHES TOLERANCE: ON: ANGLES = ±1° .X = ±.1 .XX = ±.03 SURFACE FINISH ✓ .XXX = ±.005		DO NOT SCALE DRAWING DRAWN BY: <i>SCHUNG</i> DATE: <i>6.20</i>		Atari, Inc. 1265 Borregas Avenue Sunnyvale, Calif. 94086 A Warner Communications Company	
MATERIAL:		FINISH:		PROJECT ENGINEER		MFG ENGINEER		CHECKED		TITLE HARNESS DIAGRAM CTS-1 <i>OLD</i>	
NOTICE TO ALL PERSONS RECEIVING THIS DRAWING CONFIDENTIAL: Reproduction Forbidden without the specific written permission of Atari Inc., Los Gatos, California. This drawing is only conditionally issued, and neither receipt nor possession thereof confers or transfers any right to, or license to use, the subject matter of the drawing or any design or technical information shown thereon, nor any right to reproduce this drawing or any part thereof, except for manufacture by vendors for Atari Incorporated and for manufacture under the corporation's written license, no right to reproduce this drawing is granted or the subject matter thereof unless by written agreement with or written permission from the corporation.		SIZE D		DRAWING NO.		REV C		SCALE N/A		SHEET 1 OF	

OUTSTANDING ECNs	

NOTICE TO ALL PERSONS RECEIVING THIS DRAWING
 CONFIDENTIAL. Reproduction Forbidden without the specific written permission of Atari Inc., Los Gatos, California. This drawing is only conditionally issued, and neither receipt nor possession thereof confers or transfers any right in, or license to use, the subject matter of the drawing or any design or technical information shown thereon, nor any right to reproduce the drawing or any part thereof, except for manufacture by vendors for Atari Incorporated and for manufacture under the corporation's written license. No right to reproduce the drawing is granted or the subject matter thereof unless by written agreement with or written permission from the corporation.

REVISIONS				
ZONE	SYM	DESCRIPTION	DATE	APPROVED

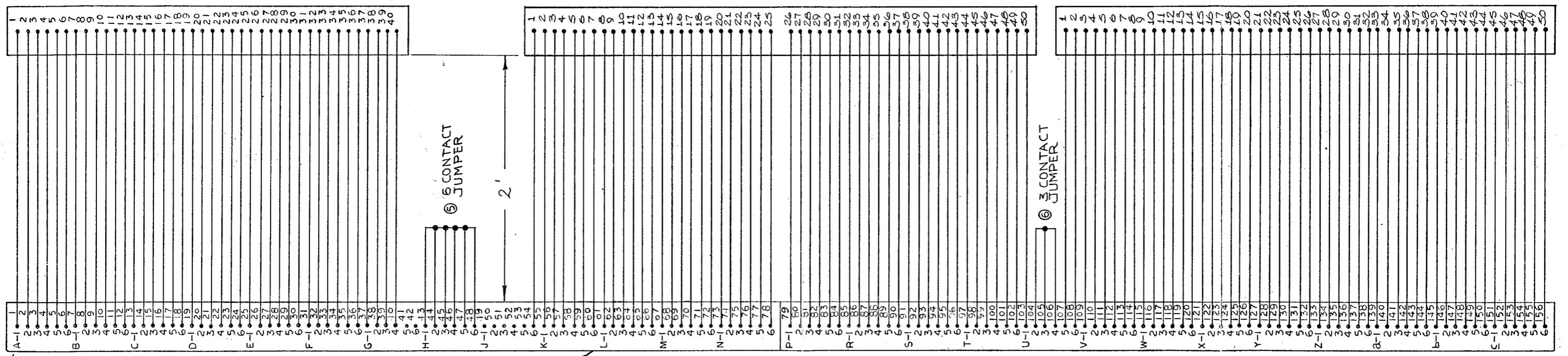
L1-L20
 See last page

S19-538
 See last page

P3
 MINIATURE DUALATCH
 #58227 H

P2
 CANNON CONNECTOR DDC-50'S

P1
 CANNON CONNECTOR DDC-50'S



CANNON DL-156 PROGRAM RECEPTACLE
 "C" RECEPTACLE

PIN LOCATION

OUTSTANDING ECNs	

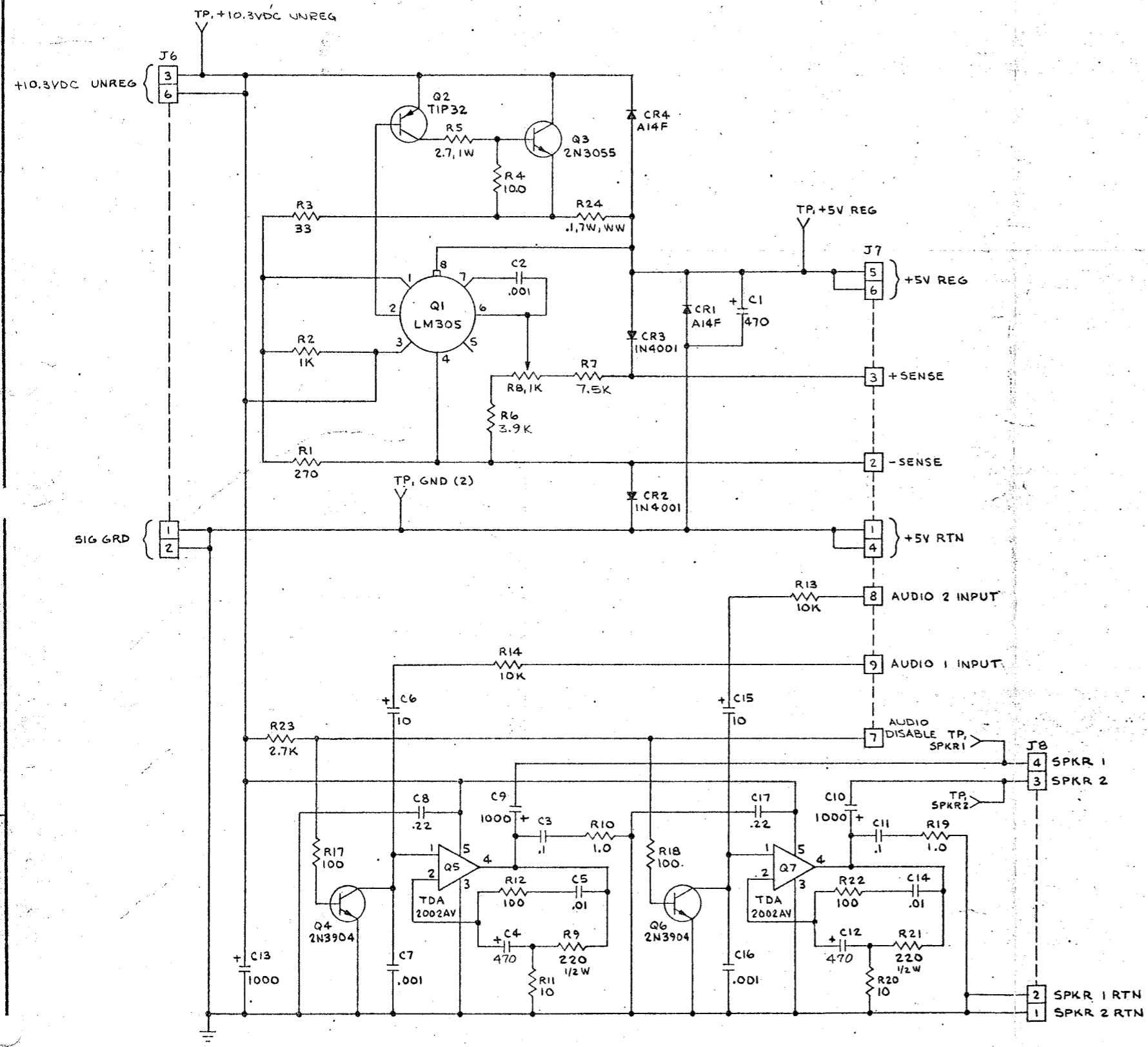
NOTES: UNLESS OTHERWISE SPECIFIED

NEXT ASSY	USED ON
APPLICATION	

UNLESS OTHERWISE SPECIFIED DIMENSIONS ARE IN INCHES TOLERANCES ON: ANGLES ± 1° SURFACE FINISH ✓	DO NOT SCALE DRAWING DRAWN BY SC DATE 3/20/76 CHECKED [Signature] ENGINEER PROJECT ENGINEER MFG ENGINEER
MATERIAL:	FINISH:

ATARI INCORPORATED 14600 Winchester Boulevard Los Gatos, California 95030	
TITLE PROGRAM PLUG "C" WIRING DIAGRAM CTS-1 OLD	
SIZE	REV
D	A
SHEET / OF /	

REVISIONS					
SYM	DESCRIPTION	DATE	INCRP	CHECK	APPROVED
I	PRE-PROD RELEASE				
A	PRODUCTION RELEASE	5/5/79			J.S./M
B	REV PER ECN 7331	2/2/79			J.S./M
C	REV PER ECN 7358	2/2/79			J.S./M
D	REV PER ECN 7379, 7462, 7520	7/2/79			J.S./M



Bob Mullenberg

UNIVERSAL	DO NOT SCALE DRAWING	DATE: 2/2/79	 Atari, Inc. 1265 Borregas Avenue Sunnyvale, Calif. 94086 A Warner Communications Company
NEXT ASSY	FIRST USED ON	CHECKED BY: [Signature]	
OUTSTANDING ECNs	UNLESS OTHERWISE SPECIFIED DIMENSIONS ARE IN INCHES TOLERANCES ON:	ENGR. MECH	TITLE: SCHEMATIC, REGULATOR/AUDIO P.C. BD
	ANGLES: ±1°	ENGR. ELECT	SIZE: D
	SURFACE FINISH: ✓	INDUSTRIAL DESIGN	DRAWING NO.: O34485-01
	MATERIAL:	HARNESS DESIGN	REV: D
	FINISH:	PROJECT ENGR: [Signature]	SCALE: NONE
		MEG ENGR: [Signature]	SHEET 1 OF 1

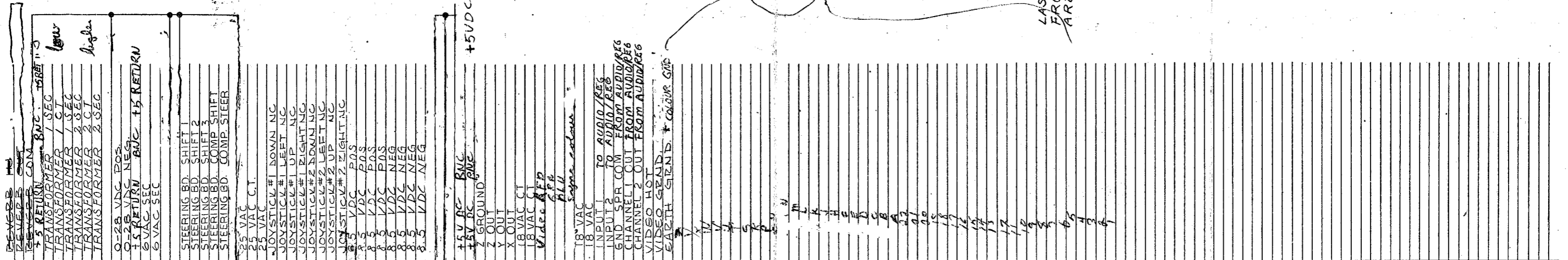
SHORTED REVERB

5 CONTACT JUMPER

3 CONTACT JUMPER

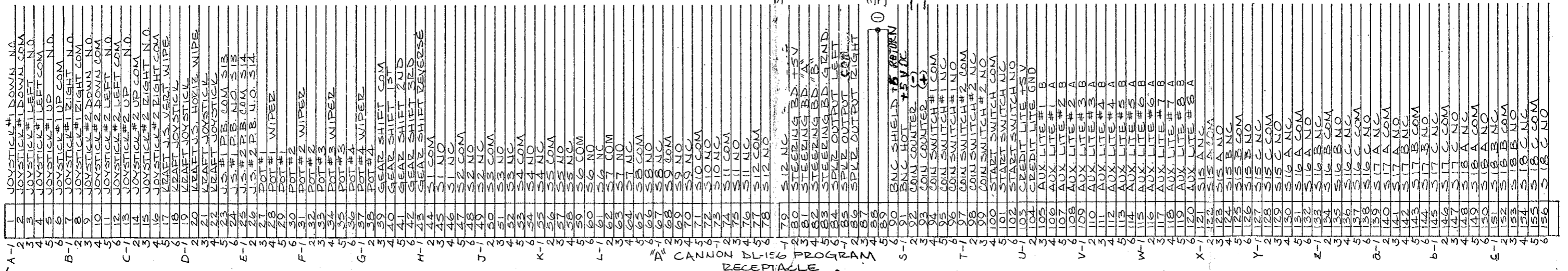
LAST 88 PINS FROM 69 TO 156 ARE FOR PROGRAMMING

REVISIONS			
SYM	DESCRIPTION	INITIALS and DATE	
		DRFTG	ENGRG
I	PROTOTYPE RELEASE		
A	PRODUCTION RELEASE		
B	MODIFIED FOR X-Y MONITOR	sc	8/73



PIN LOCATION

PIN LOCATION



CANNON DL-156 PROGRAM RECEPTACLE

CANNON DL-156 PROGRAM RECEPTACLE

5 CONTACT JUMPER

3 CONTACT JUMPER

NOTICE TO ALL PERSONS RECEIVING THIS DRAWING
 CONFIDENTIAL: Reproduction Forbidden without the specific written permission of Atari Inc., Los Gatos, California. This drawing is only conditionally issued, and neither receipt nor possession thereof confers or transfers any right in, or license to use, the subject matter of the drawing or any design or technical information shown thereon, nor any right to reproduce this drawing or any part thereof, except for manufacture by vendors for Atari Incorporated and for manufacture under the corporation's written license, no right to reproduce this drawing is granted or the subject matter thereof unless by written agreement with or written permission from the corporation.

NEXT ASSY	USED ON
APPLICATION	

INTERPRET THIS DRAWING PER USASI Y14.5	DRAWN BY TIM	DATE SEPT 83	<p>ATARI INCORPORATED 14600 Winchester Boulevard Los Gatos, California 95030</p>
UNLESS OTHERWISE SPECIFIED DIMENSIONS ARE IN INCHES TOLERANCES ON:	CHECKED	DESIGN ENGINEER	
FRACTIONS = 1/16, .1, .1, .1 ANGLES = 1/16, .1, .1, .1 SURFACE FINISH = .1, .1, .1	PROJECT ENGINEER	DOCUMENT CONTROL	<p>TITLE MODIFIED PROGRAM PLUG WIZING DIAGRAM</p>
MATERIAL:	APPROVED DSR	SCALE N/A	<p>SIZE D</p> <p>DRAWING NO.</p> <p>REV E</p>

D

C

B

A

8

7

6

5

4

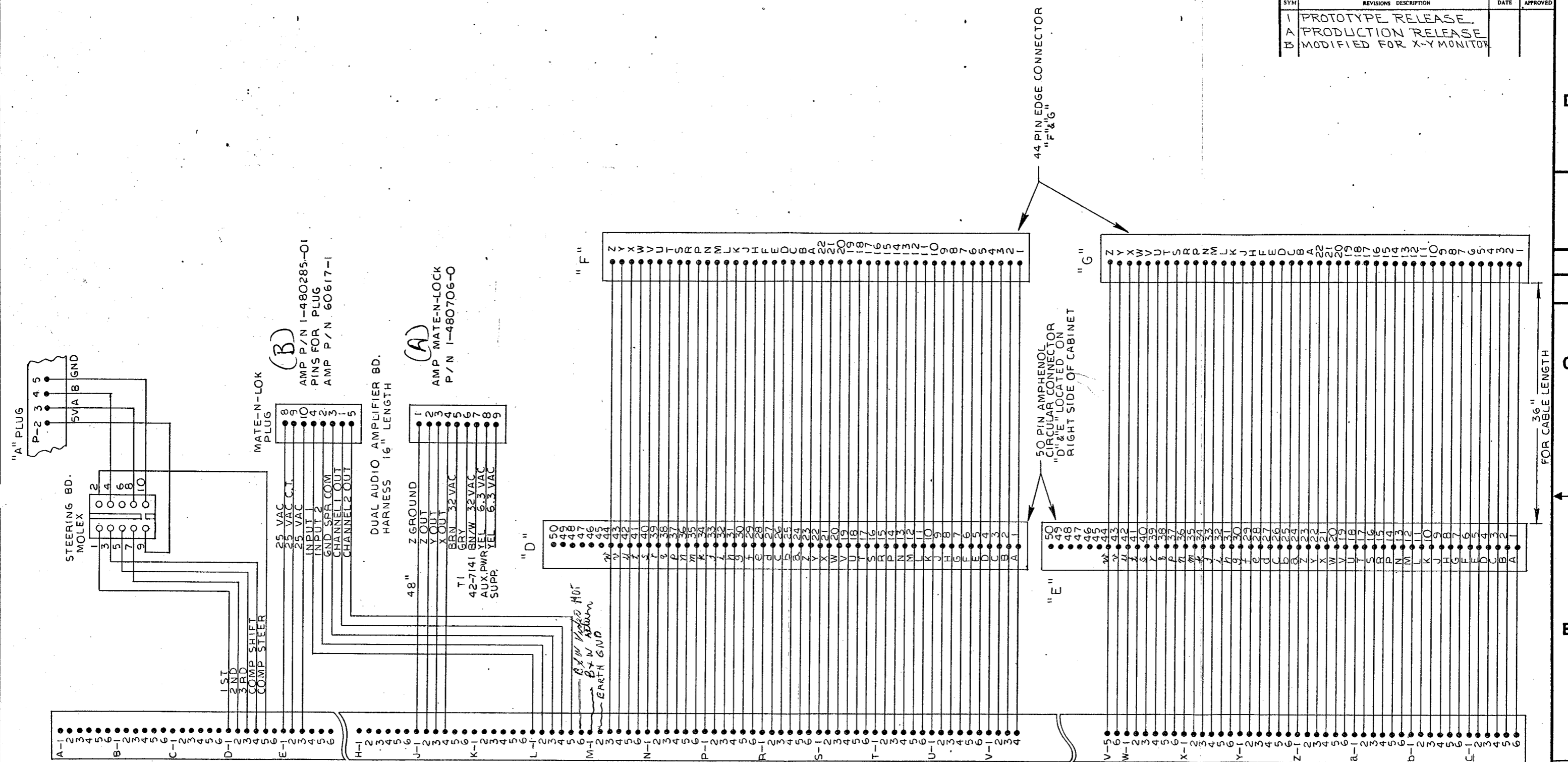
3

2

1

DRAWING NO. SHEET REV

SYM	REVISIONS	DESCRIPTION	DATE	APPROVED
1		PROTOTYPE RELEASE		
A		PRODUCTION RELEASE		
B		MODIFIED FOR X-Y MONITOR		



CANNON DL-156 PROGRAM RECEPTACLE
"B" RECEPTACLE

NEXT ASSY		USED ON	APPLICATION	UNLESS OTHERWISE SPECIFIED DIMENSIONS ARE IN INCHES TOLERANCES ON: ANGLES = ±1° SURFACE FINISH: XXXX ±.03	DO NOT SCALE DRAWING	DRAWN BY: <i>SCHUNG</i> DATE: <i>6.20</i>	<p>Atari, Inc. 1265 Borregas Avenue Sunnyvale, Calif. 94086 A Warner Communications Company</p>
MATERIAL:				FINISH:	CHECKED:	PROJECT ENGINEER: <i>[Signature]</i>	
NOTICE TO ALL PERSONS RECEIVING THIS DRAWING: CONFIDENTIAL. Reproduction Forbidden without the specific written permission of Atari Inc., Los Gatos, California. This drawing is only conditionally issued, and neither receipt nor possession thereof confers or transfers any right in, or license to use, the subject matter of the drawing or any design or technical information shown thereon, nor any right to reproduce this drawing or any part thereof, except for manufacture by vendors for Atari Incorporated and for manufacture under the corporation's written license, no right to reproduce this drawing is granted on the subject matter thereof unless by written agreement with or written permission from the corporation.				SCALE: N/A		SHEET: 1 OF 1	REV: D

OUTSTANDING ECNs	

DRAWING NO. SHEET 1 OF 1

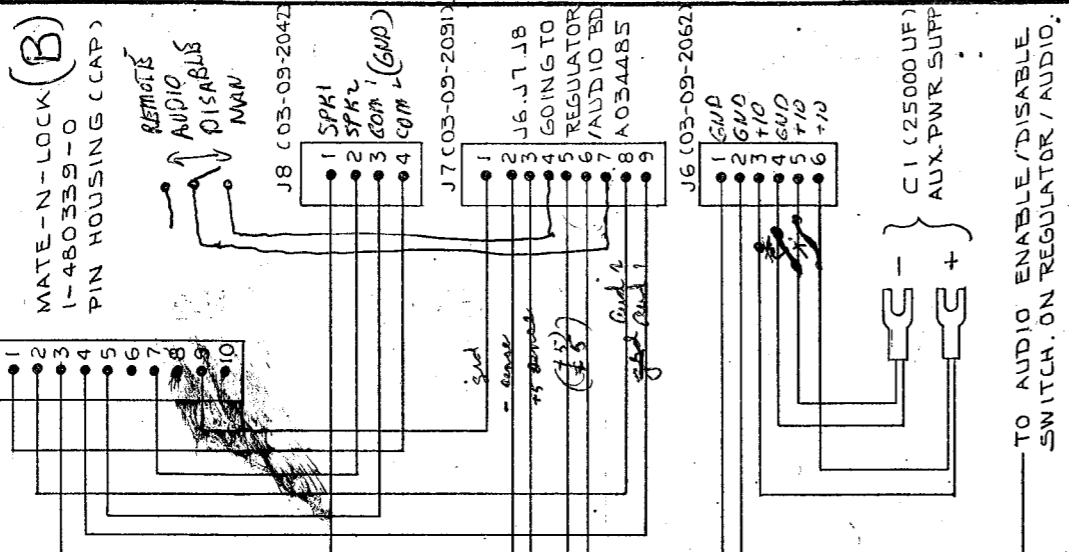
FOR CABLE LENGTH 36"

B

A

D

NOTICE TO ALL PERSONS RECEIVING THIS DRAWING
 CONFIDENTIAL. Reproduction Forbidden without the specific written permission of Atari Inc., Los Gatos, California. This drawing is only conditionally issued, and neither receipt nor possession thereof confers or transfers any right in, or license to use, the subject matter of the drawing or any design or technical information shown thereon, nor any right to reproduce this drawing or any part thereof, except for manufacture by vendors for Atari Incorporated and for manufacture under the corporation's written license, no right to reproduce this drawing is granted on the subject matter thereof unless by written agreement with or written permission from the corporation.

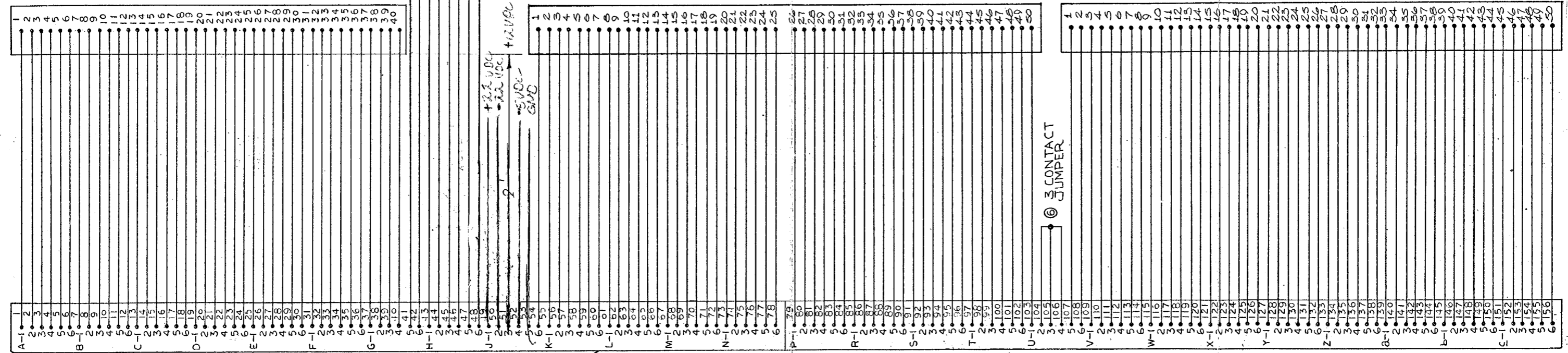


REVISIONS				
ZONE	SYM	DESCRIPTION	DATE	APPROVED
1		PROTOTYPE RELEASE		
A		PRODUCTION RELEASE		
B		MODIFIED FOR X-Y MONITOR	8/23	ML

P3
 MINIATURE DUALATCH
 #58227 H

P2
 CANNON CONNECTOR DDC-50'S

P1
 CANNON CONNECTOR DDC-50'S



PIN LOCATION

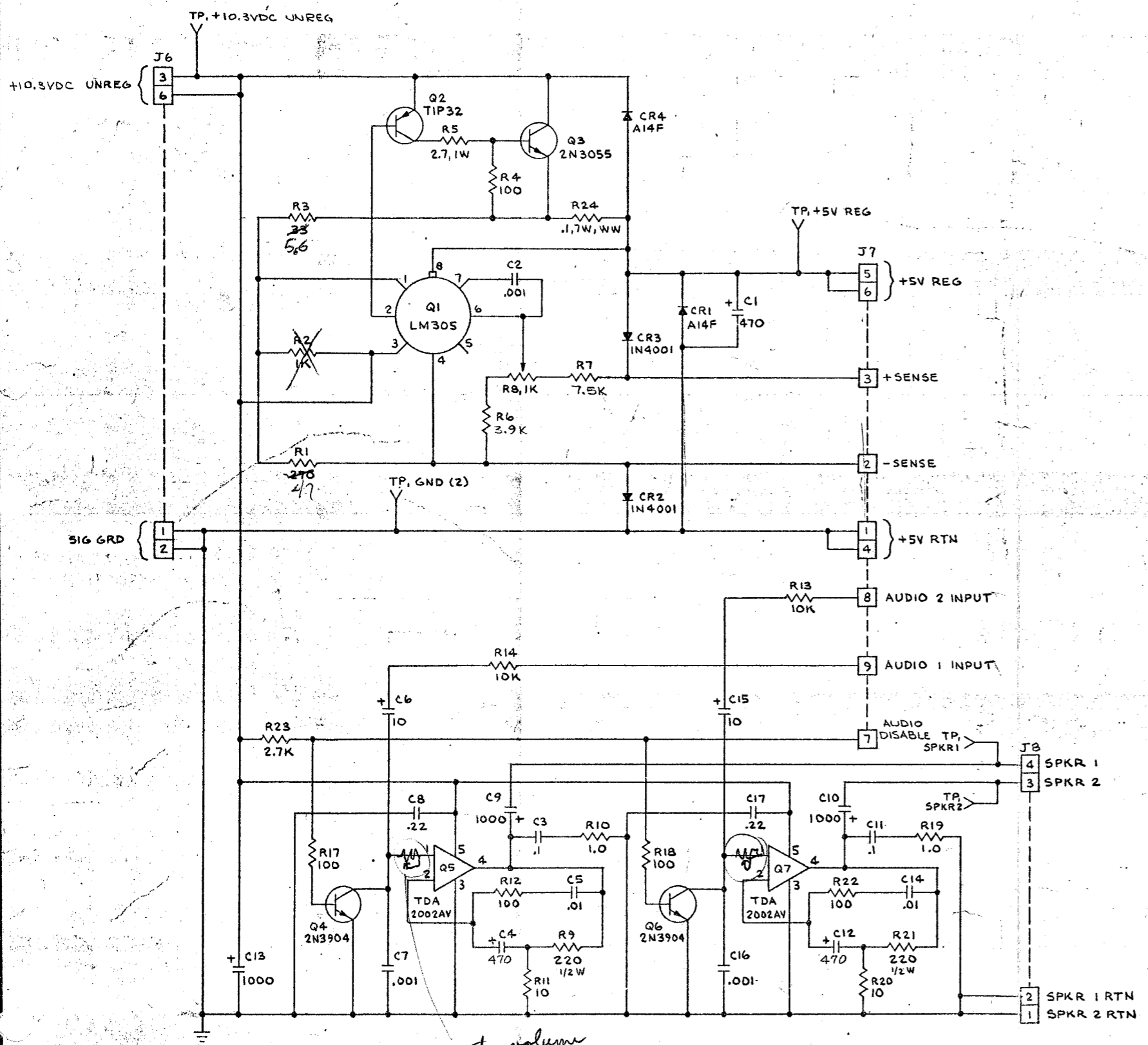
CANNON DL-156 PROGRAM RECEPTACLE
 "C" RECEPTACLE

OUTSTANDING ECNs	

NOTES: UNLESS OTHERWISE SPECIFIED

UNLESS OTHERWISE SPECIFIED DIMENSIONS ARE IN INCHES TOLERANCES: .XXX ± .01 .XX ± .03 SURFACE FINISH: XXX ± .010	DO NOT SCALE DRAWING	ATARI INCORPORATED 14600 Winchester Boulevard Los Gatos, California 95030
	MATERIAL:	
FINISH:	CHECKED: [Signature] ENGINEER: [Signature] PROJECT ENGINEER: [Signature] MFG ENGINEER: [Signature]	SIZE: D DRAWING NO. REV: B
NEXT ASSY: USED ON: APPLICATION:	DATE: 8/23/78	SHEET 1 OF 1

REVISIONS					
SYM	DESCRIPTION	DATE	INCRP	CHECK	APPROVED
I	PRE-PROD RELEASE				
A	PRODUCTION RELEASE	5/31/79			J.S./M
B	REV PER ECN 7331	2/2/79			J.S./M
C	REV PER ECN 7358	2/2/79			J.S./M
D	REV PER ECN 7379, 7462, 7520	11/2/79			J.S./M

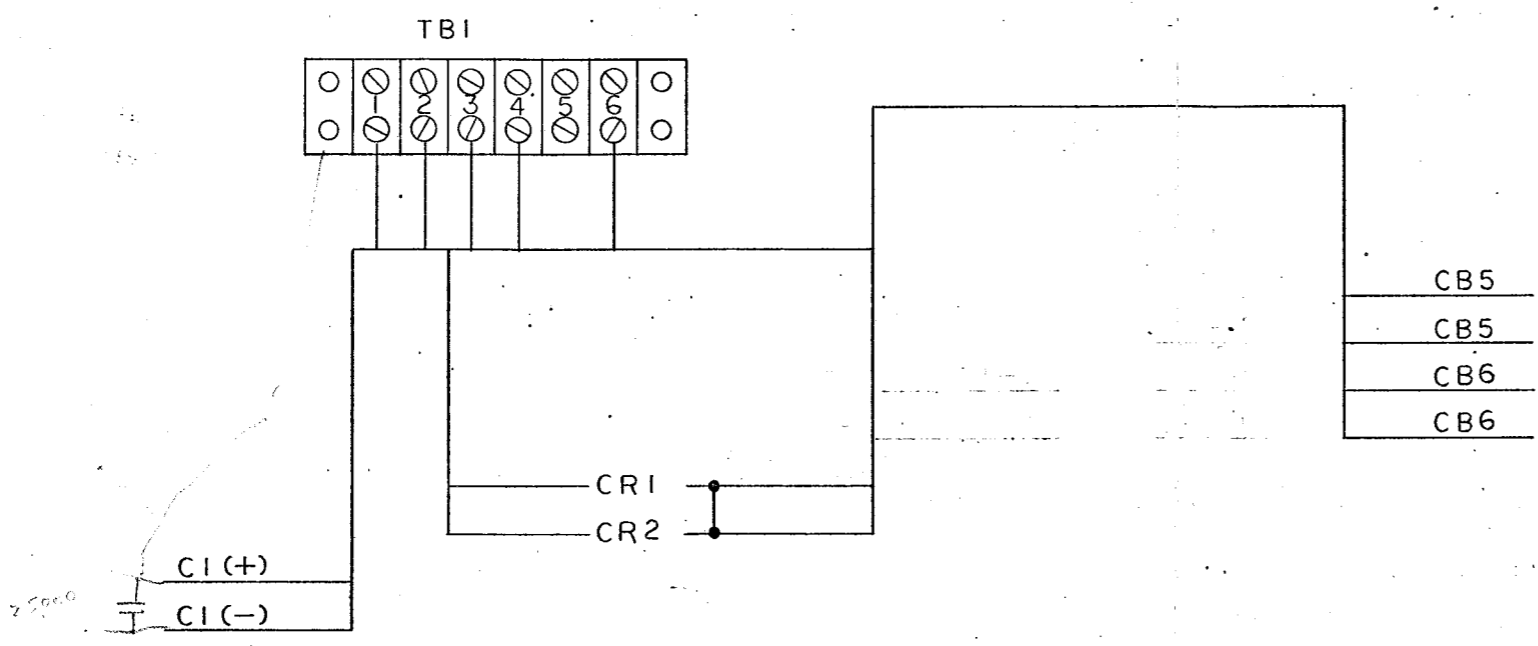


remote volume

UNIVERSAL		DO NOT SCALE DRAWING		DRAWN BY		ATARI	
NEXT ASSY	FIRST USED ON	UNLESS OTHERWISE SPECIFIED DIMENSIONS ARE IN INCHES TOLERANCES ON:	ANGLES	CHECKED BY	DATE	DATE	1265 Borrogas Avenue Sunnyvale, Calif. 94086
OUTSTANDING ECNS		MATERIAL:	SURFACE FINISH	ENGR, MECH	DATE	DATE	ATARI COMMUNICATIONS COMPANY
		FINISH:		ENGR, ELECT	DATE	DATE	TITLE
				INDUSTRIAL DESIGN	DATE	DATE	SCHMATIC, REGULATOR/AUDIO P.C. BD
				HARNES DESIGN	DATE	DATE	SIZE
				PROJECT ENGR	DATE	DATE	D
				MEG ENGR	DATE	DATE	D
							SCALE NONE
							SHEET 1 OF 1

SYM	REVISIONS DESCRIPTION	DATE	APPROVED
1	PROTOTYPE RELEASE		
A	PRODUCTION RELEASE		
B	MODIFIED FOR X-Y MONITOR	8/23	

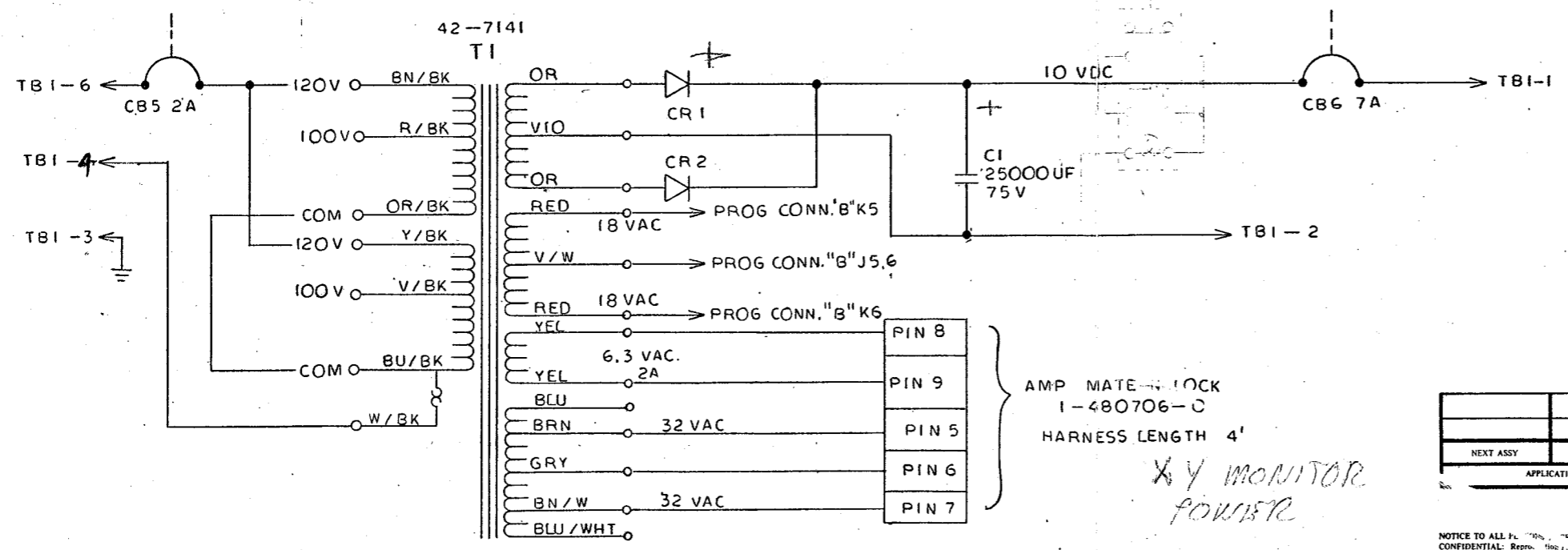
WIRING DIAGRAM



- CB5
- CB5
- CB6
- CB6

WIRE ROUTING LIST

FROM	TO	DIA	LENGTH
TBI-1	CB6	14 AWG	15"
TBI-2	C1 (-)	14 "	11"
TBI-3	GND	16 "	6"
TBI-4	TI-4 ^{W/BK}	16 "	11"
TBI-5			
TBI-6	CB5	16 "	14"
TBI-2	TI-VIO	14 "	15"
C1 (+)	CR1 (+)	14 "	15"
CR2 (A)	TB-1	14 "	15"
CB6	TB-1	16 "	15"
TI-OR	CR1 (A)	16 "	15"
TI-	TI-	16 AWG BUSSWIRE	3"
TI-OR	CR2	16 AWG	17"
CR1 (C)	CR2 (C)	16 AWG BUSSWIRE	2"



AMP MATE LOCK
1-480706-C
HARNESS LENGTH 4'
X-Y MONITOR POWER

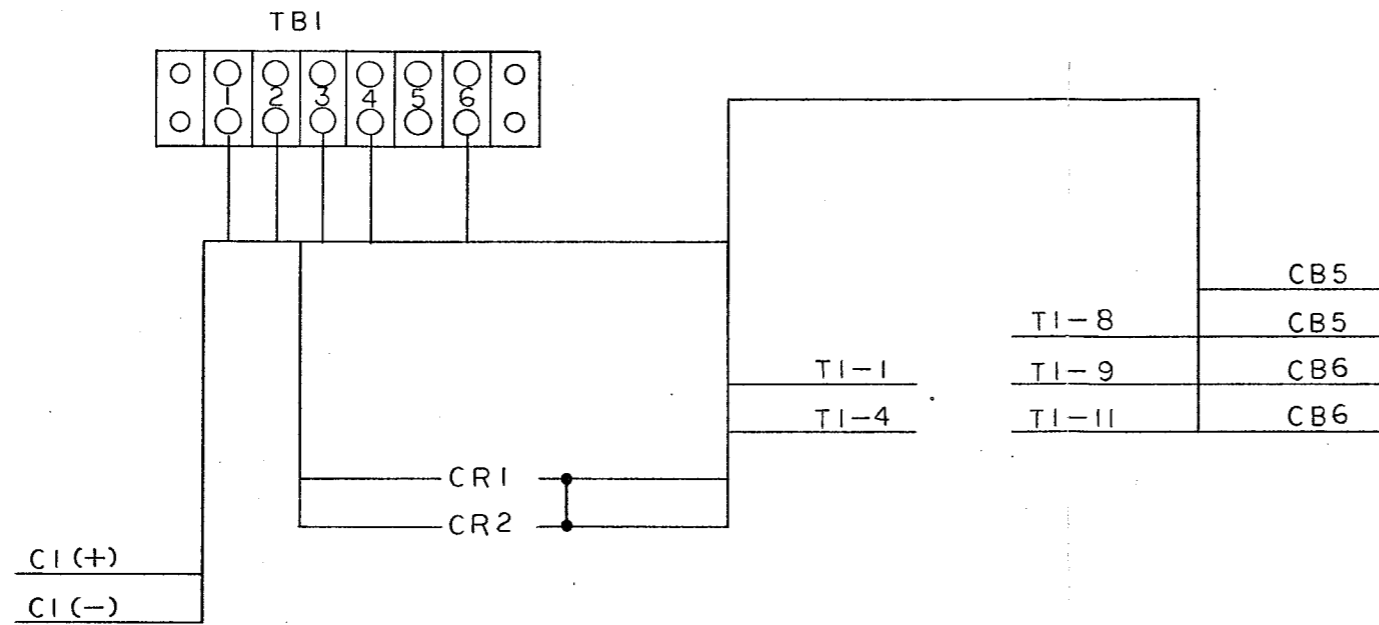
OUTSTANDING ECNs	

UNLESS OTHERWISE SPECIFIED DIMENSIONS ARE IN INCHES TOLERANCES ON:		DO NOT SCALE DRAWING		<p>Atari, Inc. 1265 Borregas Avenue Sunnyvale, Calif. 94086 A Warner Communications Company</p>
ANGLES - 45°	.x = .1 .xx = .05	DRAWN BY	DATE	
SURFACE FINISH		S. Chung 11/10		<p>TITLE MODIFIED SCHEMATIC & WIRING DIAGRAM AUXILIARY PWR SUPPLY</p>
MATERIAL:		ENGINEER	PROJECT ENGINEER	
FINISH:		MFG ENGINEER		<p>SIZE D DRAWING NO. REV</p> <p>SCALE SHEET OF</p>

NOTICE TO ALL: THIS DRAWING IS THE PROPERTY OF ATARI, INC. IT IS TO BE USED ONLY FOR THE PROJECT AND FOR WHICH IT WAS DESIGNED. IT IS NOT TO BE REPRODUCED OR TRANSMITTED IN ANY FORM OR BY ANY MEANS, ELECTRONIC OR MECHANICAL, INCLUDING PHOTOCOPYING, RECORDING, OR BY ANY INFORMATION STORAGE AND RETRIEVAL SYSTEM, WITHOUT THE WRITTEN PERMISSION OF ATARI, INC.

SYM	REVISIONS DESCRIPTION	DATE	APPROVED

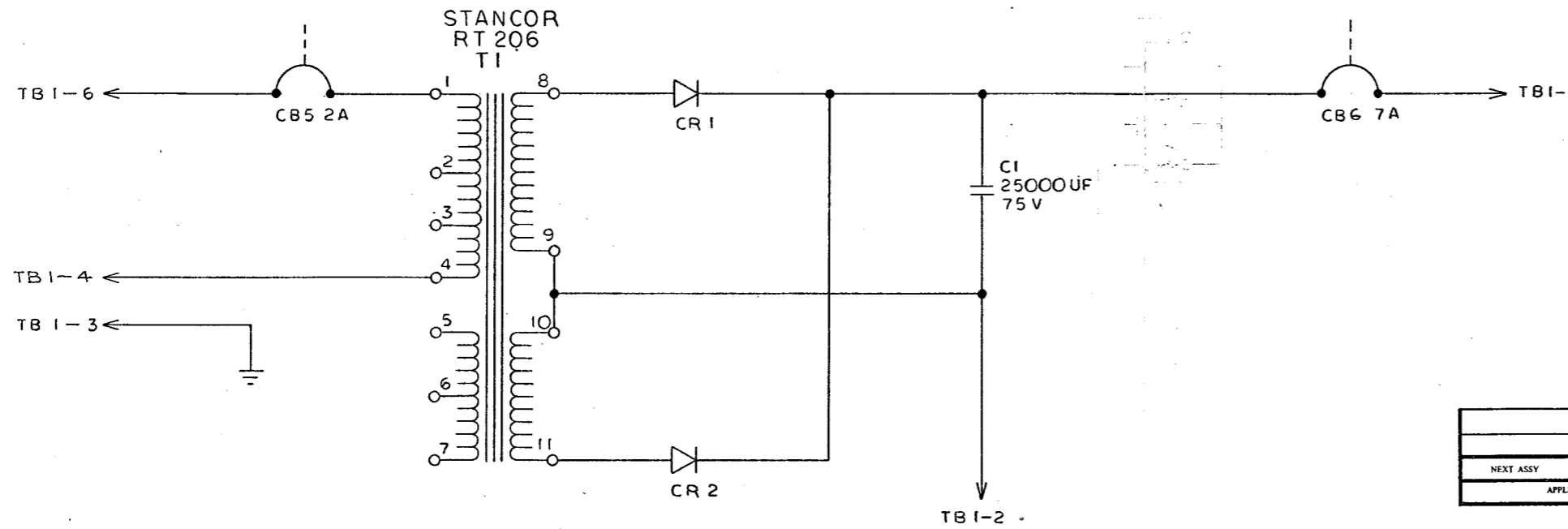
WIRING DIAGRAM



Revised

WIRE ROUTING LIST

FROM	TO	DIA	LENGTH
TBI-1	CB6	14 AWG	15"
TBI-2	CI (-)	14 "	11"
TBI-3	GND	16 "	6"
TBI-4	TI-4	16 "	11"
TBI-5			
TBI-6	CB5	16 "	14"
TBI-2	TI-9	14 "	15"
CI (+)	CR1 (+)	14 "	15"
CR2	TI-1	14 "	15"
CB1	TI-1	16 "	15"
TI-8	CR1	16 "	15"
TI-10	TI-9	16 AWG BUSSWIRE	3"
TI-11	CR2	16AWG	17"
CR1	CR2	16AWG BUSSWIRE	2"



OUTSTANDING ECNs	

<p>UNLESS OTHERWISE SPECIFIED DIMENSIONS ARE IN INCHES TOLERANCES ON:</p> <p>ANGLES - ±1°</p> <p>SURFACE FINISH ✓</p> <p>MATERIAL:</p> <p>FINISH:</p>	<p>DO NOT SCALE DRAWING</p> <p>DRAWN BY: S. Chung DATE: 11.10</p> <p>CHECKED:</p> <p>ENGINEER:</p> <p>PROJECT ENGINEER:</p> <p>MFG ENGINEER:</p>	<p>Atari, Inc. 1265 Borregas Avenue Sunnyvale, Calif. 94086 A Warner Communications Company</p> <p>TITLE: SCHEMATIC & WIRING DIAGRAM AUXILIARY PWR SUPPLY</p> <p>SIZE: D DRAWING NO.: AUX - 004 REV: B</p> <p>SCALE: SHEET: OF:</p>
---	--	---

NOTICE TO ALL PERSONS RECEIVING THIS DRAWING
CONFIDENTIAL: Reproduction Forbidden without the specific written permission of Atari Inc., Los Gatos, California. This drawing is only conditionally issued, and neither receipt, nor possession thereof confers or transfers any right in, or license to use, the subject matter of the drawing or any design or technical information shown thereon, nor any right to reproduce this drawing or any part thereof, except for manufacture by vendors for Atari Incorporated and for manufacture under the corporation's written license, no right to reproduce this drawing is granted or the subject matter thereof unless by written agreement with or written permission from the corporation.

DRAWING NO. SHEET REV. A B C D

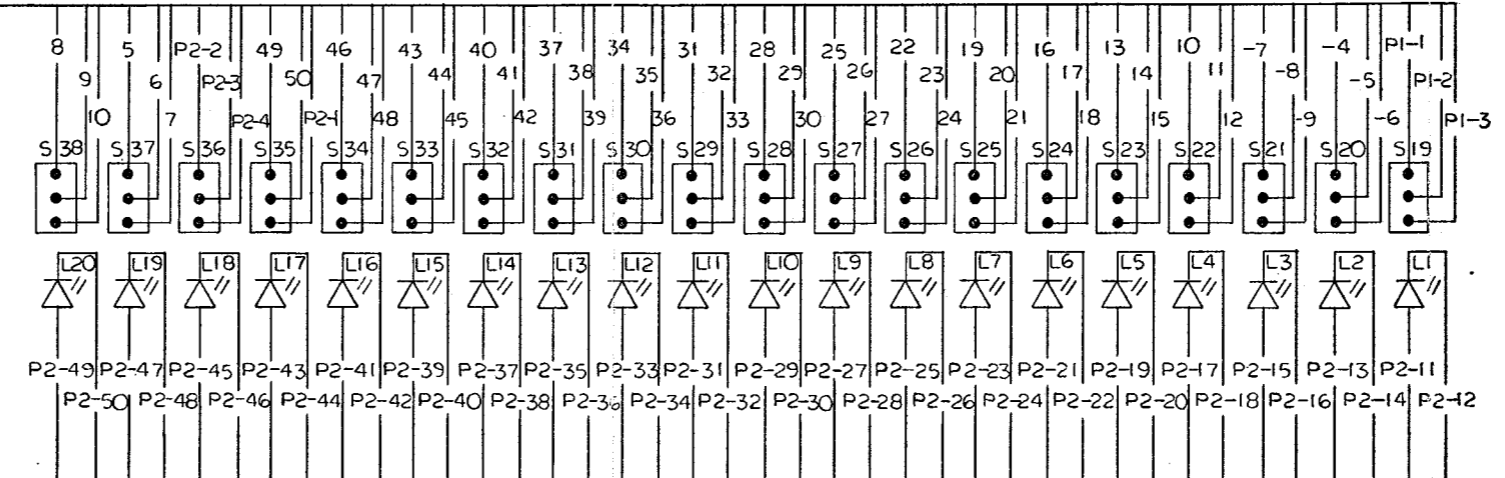
SYM	REVISIONS DESCRIPTION	DATE	APPROVED

PIA

1
2
3
4
5
6
7
8
9
10
11
12
13
14
15
16
17
18
19
20
21
22
23
24
25
26
27
28
29
30
31
32
33
34
35
36
37
38
39
40
41
42
43
44
45
46
47
48
49
50

P2A

1
2
3
4
5
6
7
8
9
10
11
12
13
14
15
16
17
18
19
20
21
22
23
24
25
26
27
28
29
30
31
32
33
34
35
36
37
38
39
40
41
42
43
44
45
46
47
48
49
50



NOTES:

- 1) PIA & P2A : 50 PIN CONNECTOR P/N 2-89595-1
- 2) SWITCH : JMT - 131
- 3) LED : CD 93 - RCB 0510
- 4) LAMP HOLDER : 910-401X - 231 XX
- 5) ALL WIRES ARE STRANDED, TINNED COPPER 22 AWG
- 6) TIE WRAP (MINIATURE). USE TIE WRAPS AS REQUIRE.
- 7) A WIRE ROUTING LIST IS NOT REQUIRED FOR THIS HARNESS.

OUTSTANDING ECNs	

NEXT ASSY	USED ON	UNLESS OTHERWISE SPECIFIED DIMENSIONS ARE IN INCHES TOLERANCES ON: ANGLES = ±1° .1 = ±.1 .XX = ±.05 SURFACE FINISH ✓ .XXX = ±.005	DO NOT SCALE DRAWING	Atari, Inc. 1265 Borregas Avenue Sunnyvale, Calif. 94086 A Warner Communications Company
	APPLICATION		DRAWN BY DATE <i>S. Chung 12.4.78</i>	
MATERIAL: SEE NOTES		FINISH:	CHECKED	TITLE EXPANSION MODULE A WIRING DIAGRAM CTS-1
NOTICE TO ALL PERSONS RECEIVING THIS DRAWING CONFIDENTIAL: Reproduction Forbidden without the specific written permission of Atari Inc., Los Gatos, California. This drawing is only conditionally issued, and neither receipt nor possession thereof confers or transfers any right in, or license to use, the subject matter of the drawing or any design or technical information shown thereon, nor any right to reproduce this drawing or any part thereof, except for manufacture by vendors for Atari Incorporated and for manufacture under the corporation's written license, no right to reproduce this drawing is granted or the subject matter thereof unless by written agreement with or written permission from the corporation.		PROJECT ENGINEER	ENGINEER	SIZE D
		MFG ENGINEER	PROJECT ENGINEER	DRAWING NO.
			MFG ENGINEER	REV A
				SCALE
				SHEET OF