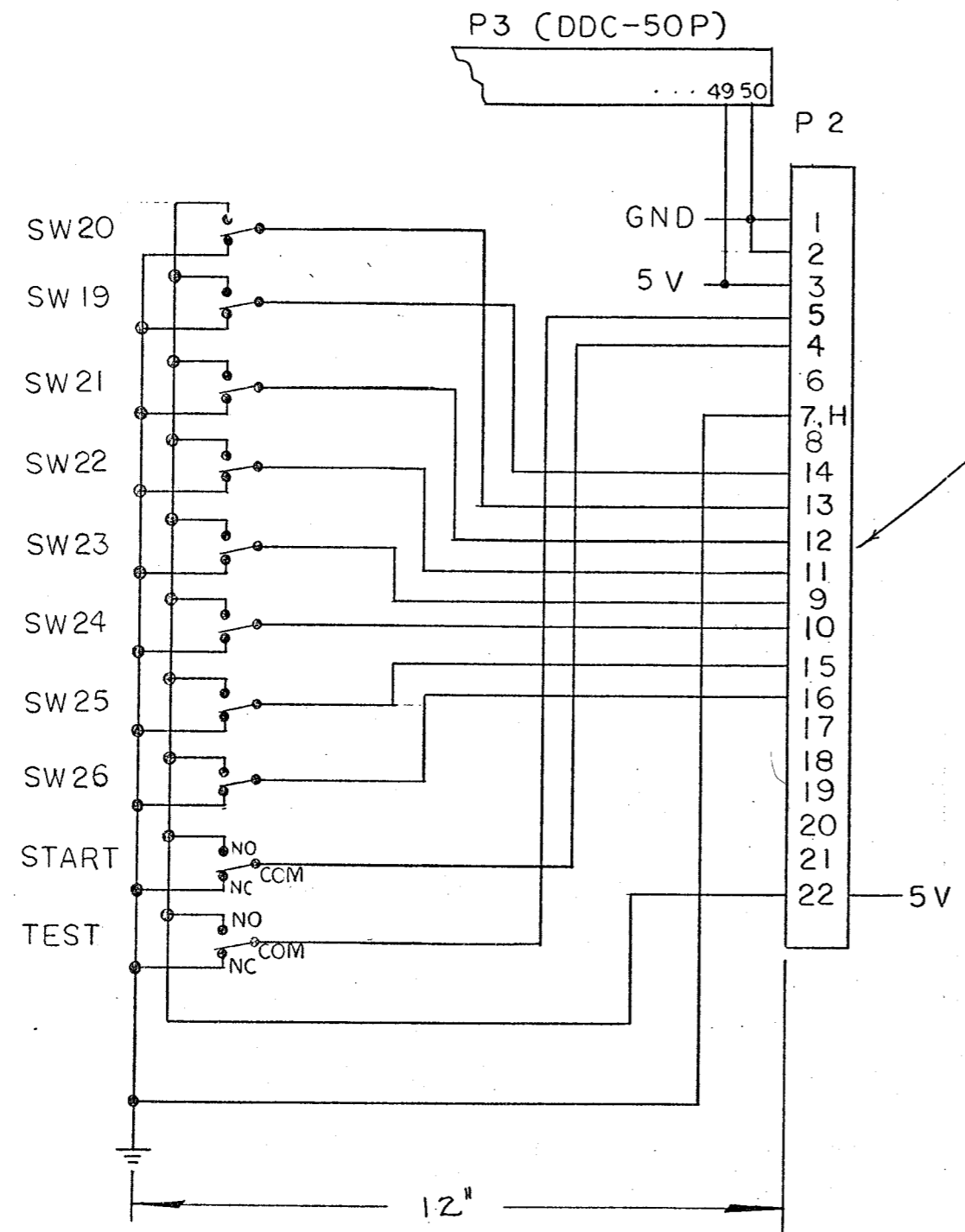


TO ALL PERSONS RECEIVING THIS DRAWING
 ESSENTIAL: Reproduction Forbidden without the spe-
 cial permission of Atari Inc., Los Gatos, California.
 This drawing is only conditionally issued, and neither receipt
 hereof confers or transfers any right in, or
 use, the subject matter of the drawing or any design
 information shown thereon, nor any right to re-
 produce or copy any part thereof, except for manufac-
 ture for Atari Incorporated and for manufacture
 under written license, no right to reproduce
 or the subject matter thereof unless by
 or written permission from the cor-

REVISIONS				
ZONE	SYM	DESCRIPTION	DATE	APPROVED



44 PIN EDGE CONN.

NOTE:
 1. WIRING TO BE IN LENGTHS OF 12", INDIVIDUALLY CUT TO CONFORM TO A UNIFORM HARNESS.

OUTSTANDING ECNs	

UNLESS OTHERWISE SPECIFIED DIMENSIONS ARE IN INCHES TOLERANCES ON: ANGLES = ±1° SURFACE FINISH ✓ .xxx = ±.010	DO NOT SCALE DRAWING	ATARI INCORPORATED 14600 Winchester Boulevard Los Gatos, California 95030
	DRAWN BY: <i>AC</i> DATE: 6/2/76	
MATERIAL:	CHECKED:	SIZE: C DRAWING NO. C0010 REV: B
FINISH:	ENGINEER:	SCALE: SHEET 1 OF 3
NEXT ASSY:	PROJECT ENGINEER:	
USED ON:	MFG ENGINEER:	
APPLICATION:		

NOTES: UNLESS OTHERWISE SPECIFIED

4

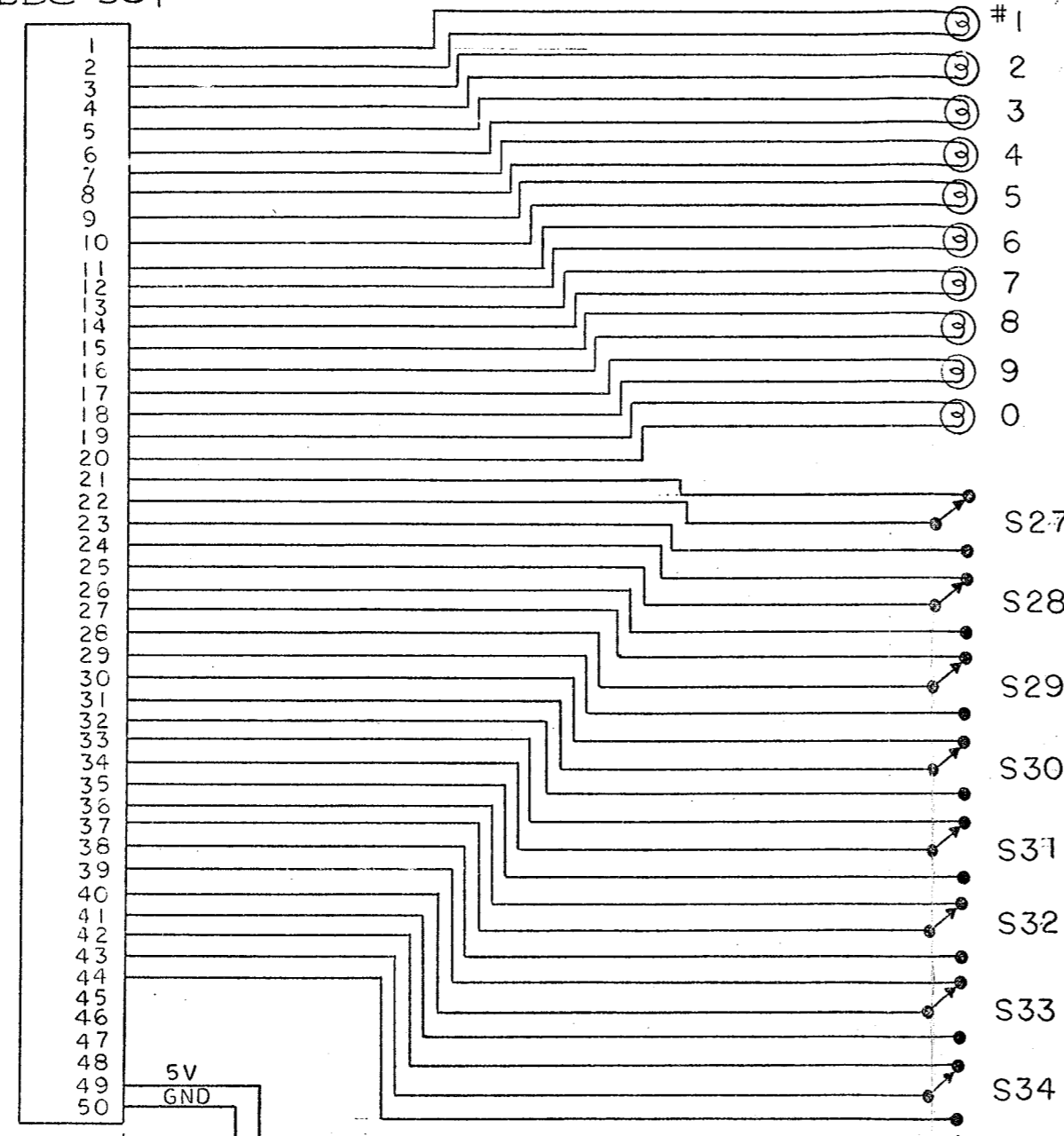
3

2

1

NOTICE TO ALL PERSONS RECEIVING THIS DRAWING
 CONFIDENTIAL: Reproduction Forbidden without the specific written permission of Atari Inc., Los Gatos, California. This drawing is only conditionally issued, and neither receipt nor possession thereof confers or transfers any right in, or license to use, the subject matter of the drawing or any design or technical information shown thereon, nor any right to reproduce this drawing or any part thereof, except for manufacture by vendors for Atari Incorporated and for manufacture under Atari's written license, no right to reproduce this drawing or any part thereof unless by Atari's written permission from the company.

ITT 7614
 DDC-50P



REVISIONS				
ZONE	SYM	DESCRIPTION	DATE	APPROVED

D

DRAWING NO.

SHEET

REV

C

NOTE:
 1. WIZING TO BE IN LENGTHS OF 10", INDIVIDUALLY CUT TO COMFORM TO A UNIFORM HARNESS.
 2. DDC-50S TO BE DESIGNATED P3.

OUTSTANDING ECNs	

B

NOTES: UNLESS OTHERWISE SPECIFIED

P2 (44 PIN EDGE CONN.)

UNLESS OTHERWISE SPECIFIED DIMENSIONS ARE IN INCHES TOLERANCES ON: ANGLES = ±1° SURFACE FINISH ✓ .xx = ±.03 .xxx = ±.010	DO NOT SCALE DRAWING	ATARI INCORPORATED 14600 Winchester Boulevard Los Gatos, California 95030
	DRAWN BY: <i>sc</i> DATE: 6/3/76	
MATERIAL:	CHECKED:	SIZE: C DRAWING NO.: 00011 REV: A
FINISH:	PROJECT ENGINEER:	SCALE: SHEET 2 OF 3
NEXT ASSY: USED ON:	MFG ENGINEER:	
APPLICATION:		

A

4

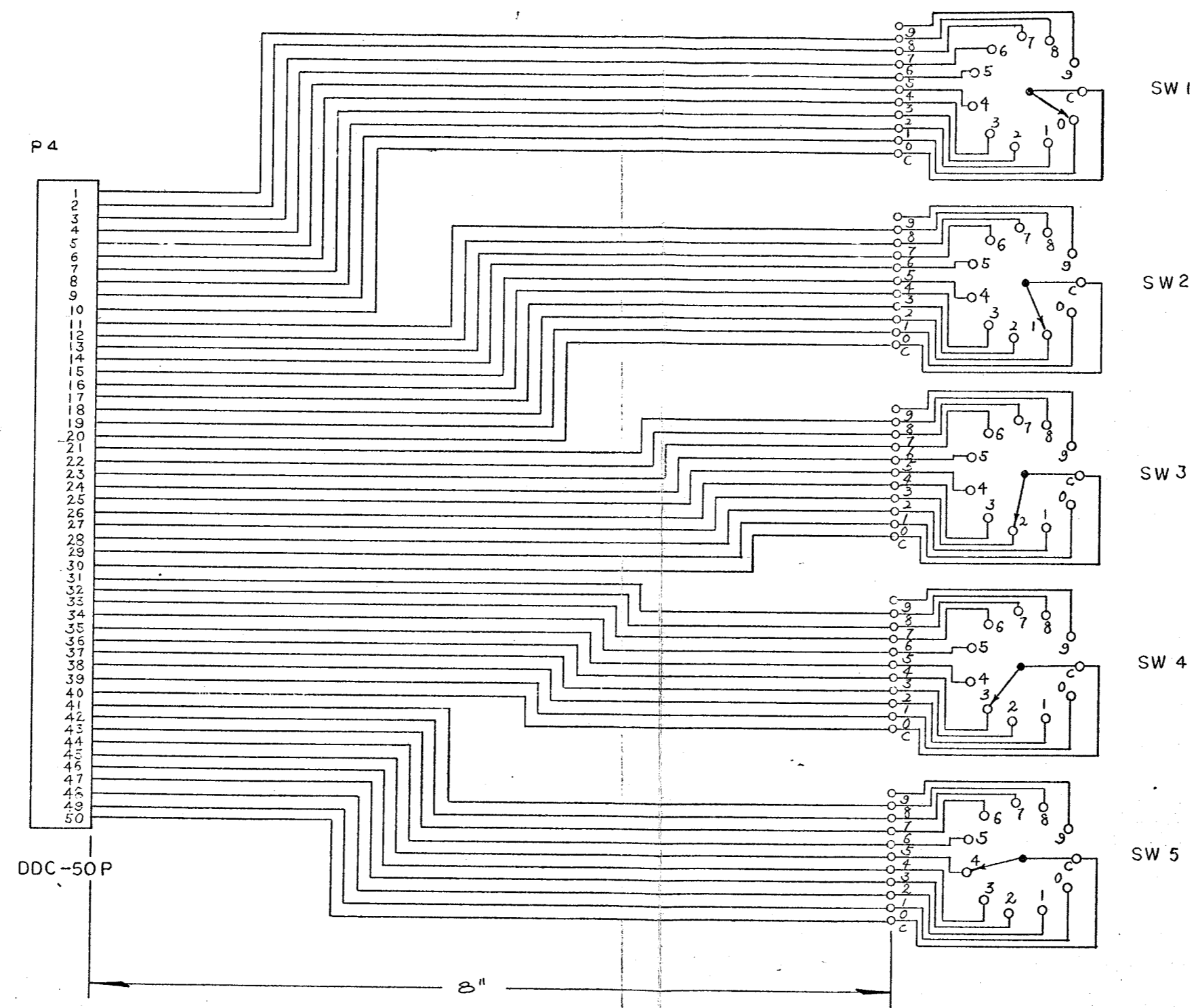
3

2

1

NOTICE TO ALL PERSONS RECEIVING THIS DRAWING
 CONFIDENTIAL. Reproduction Forbidden without the specific written permission of Atari Inc., Los Gatos, California. This drawing is only conditionally issued, and neither receipt nor possession thereof confers or transfers any right to, or license to use, the subject matter of the drawing or any design or technical information shown thereon, nor any right to reproduce this drawing or any part thereof, except for manufacture by vendor for Atari Incorporated and for manufacture under the corporation's written license. No right to reproduce this drawing or the subject matter thereof unless by written agreement with or written permission from the corporation.

REVISIONS				
ZONE	SYM	DESCRIPTION	DATE	APPROVED



NOTE:
 1. WIRING TO BE IN LENGTHS OF 8", INDIVIDUALLY CUT TO CONFORM TO A UNIFORM HARNESS.
 2. DDC-SOP TO BE DESIGNATED P4

OUTSTANDING ECNS	

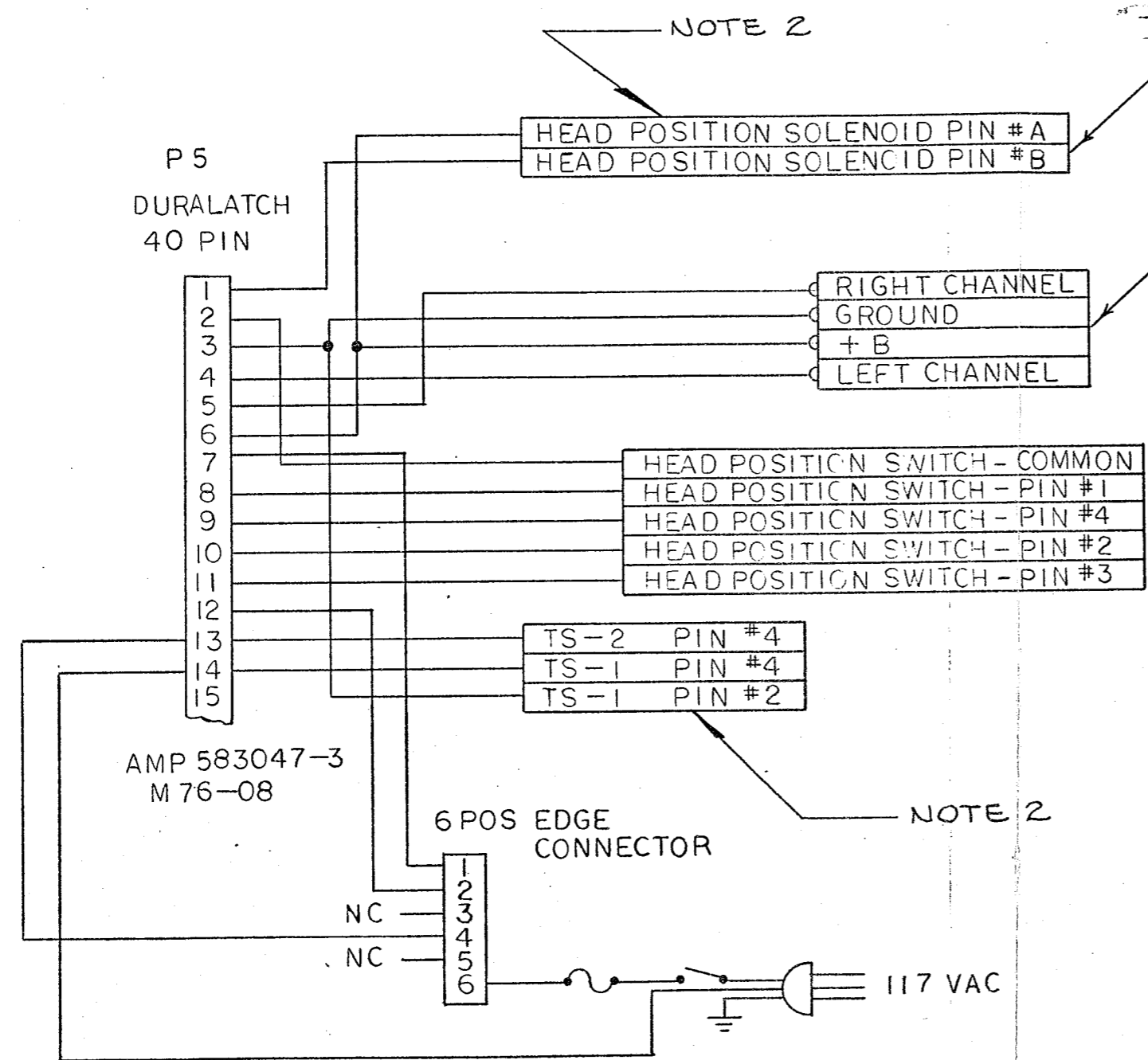
NOTES: UNLESS OTHERWISE SPECIFIED

UNLESS OTHERWISE SPECIFIED DIMENSIONS ARE IN INCHES TOLERANCES ON: .X .X .J ANGLES .X1° SURFACE FINISH .XXX .X .010	DO NOT SCALE DRAWING	ATARI INCORPORATED 14600 Winchester Boulevard Los Gatos, California 95030
	DRAWN BY: <i>sc</i> DATE: 6/14/76	
MATERIAL:	CHECKED:	SIZE: D DRAWING NO: 00012 REV: A
FINISH:	PROJECT ENGINEER:	SCALE:
NEXT ASSY:	USED ON:	SHEET 3 OF 3
APPLICATION:	MFG ENGINEER:	SHEET 3 OF 3

D
 DRAWING NO.
 SHEET
 REV
 C
 B
 A

ATTENTION TO ALL PERSONS RECEIVING THIS DRAWING
 CONFIDENTIAL: Reproduction Forbidden without the spe-
 cial permission of Atari Inc., Los Gatos, California.
 This drawing is only conditionally issued, and neither receipt
 hereof nor use thereof confers or transfers any right in, or
 title to, the subject matter of the drawing or any design
 or technical information shown thereon, nor any right to re-
 produce this drawing or any part thereof, except for manufac-
 turing purposes for Atari Incorporated and for manufacture
 of or for use of Atari's products, without the written license,
 or the subject matter thereof unless by
 Atari Inc. or its written permission from the cor-
 poration.

REVISIONS				
ZONE	SYM	DESCRIPTION	DATE	APPROVED



CUT WHITE WIRE

ELECTRONICS PCB

NOTE:
 1. WIRING TO BE IN LENGTHS OF 8", INDIVIDUALLY CUT TO CONFORM TO A UNIFORM HARNESS.
 2. SAME AS NOTE 1, BUT LENGTHS OF 10".
 3. DURALATCH TO BE DESIGNATED AS P5

OUTSTANDING ECNs	

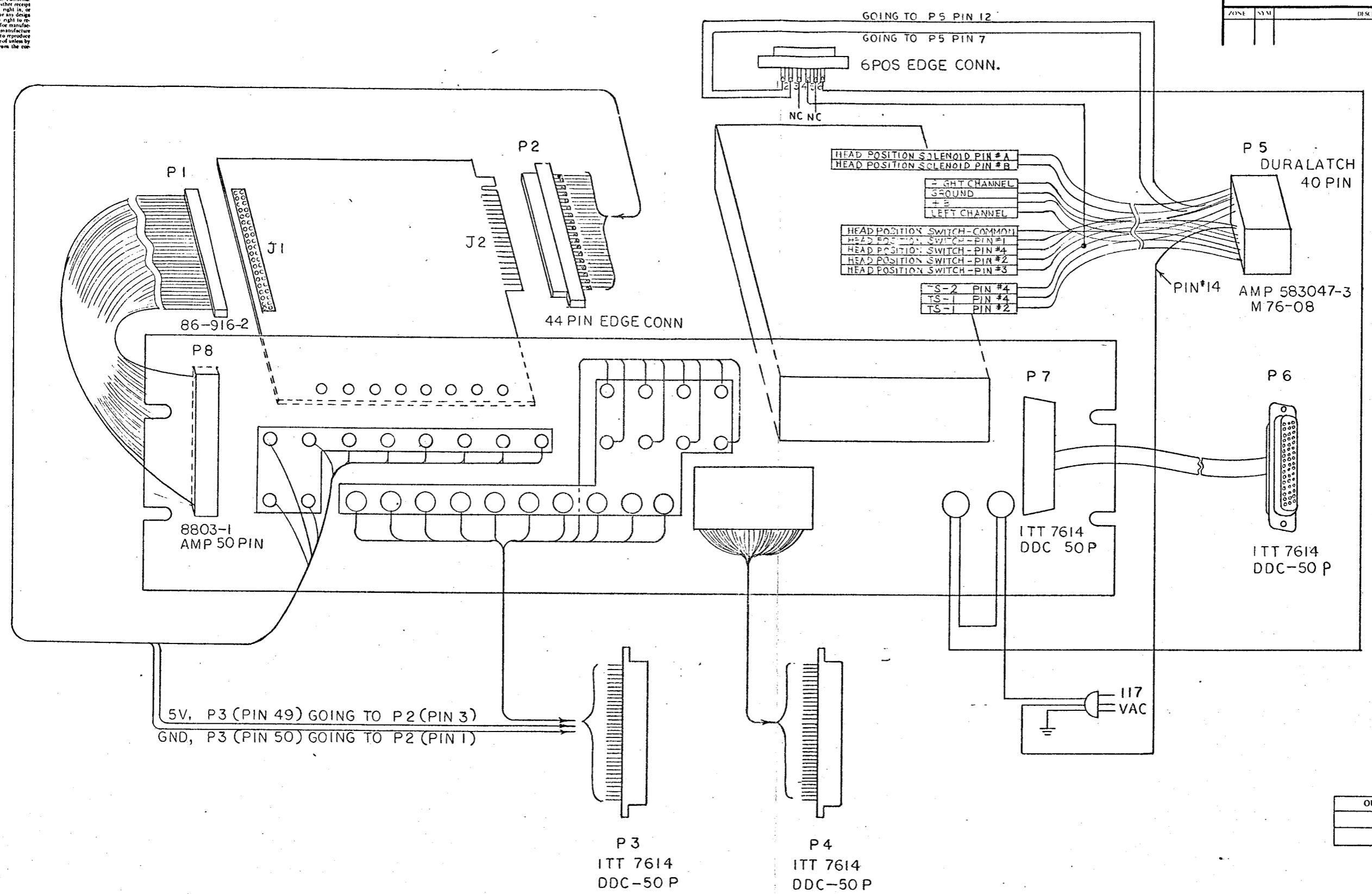
UNLESS OTHERWISE SPECIFIED DIMENSIONS ARE IN INCHES TOLERANCES ON: ANGLES = ±1° SURFACE FINISH ✓ .xxx ± .010	DO NOT SCALE DRAWING	ATARI INCORPORATED 14600 Winchester Boulevard Los Gatos, California 95030
	DRAWN BY <i>de</i> DATE <i>6/2/76</i>	
MATERIAL:	CHECKED	SIZE C DRAWING NO.
FINISH:	ENGINEER	REV A
NEXT ASSY USED ON APPLICATION	PROJECT ENGINEER	SCALE <i>N/A</i> SHEET OF
MFG ENGINEER	MFG ENGINEER	SHEET OF

NOTES: UNLESS OTHERWISE SPECIFIED

D
 DRAWING NO.
 SHEET
 REV
 C
 B
 A

NOTICE TO ALL PERSONS RECEIVING THIS DRAWING
 CONFIDENTIAL. Reproduction forbidden without the specific written permission of Atari Inc., Los Gatos, California. The drawing is sold conditionally, and neither receipt nor possession thereof confers or transfers any right in, or license to use, the subject matter of the drawing or any design or technical information shown thereon, nor any right to reproduce the drawing or any part thereof, except for manufacture by vendors for Atari Incorporated and for manufacture under the corporation's written license, no right to reproduce this drawing is granted or the subject matter thereof unless by written agreement with or written permission from the corporation.

REVISIONS				
ZONE	SYM	DESCRIPTION	DATE	APPROVED



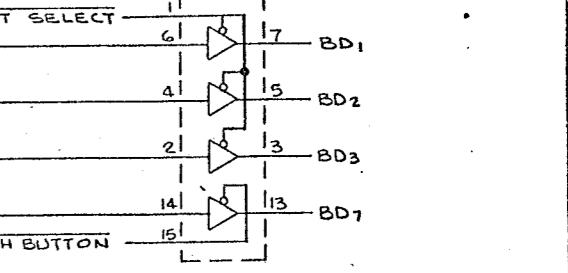
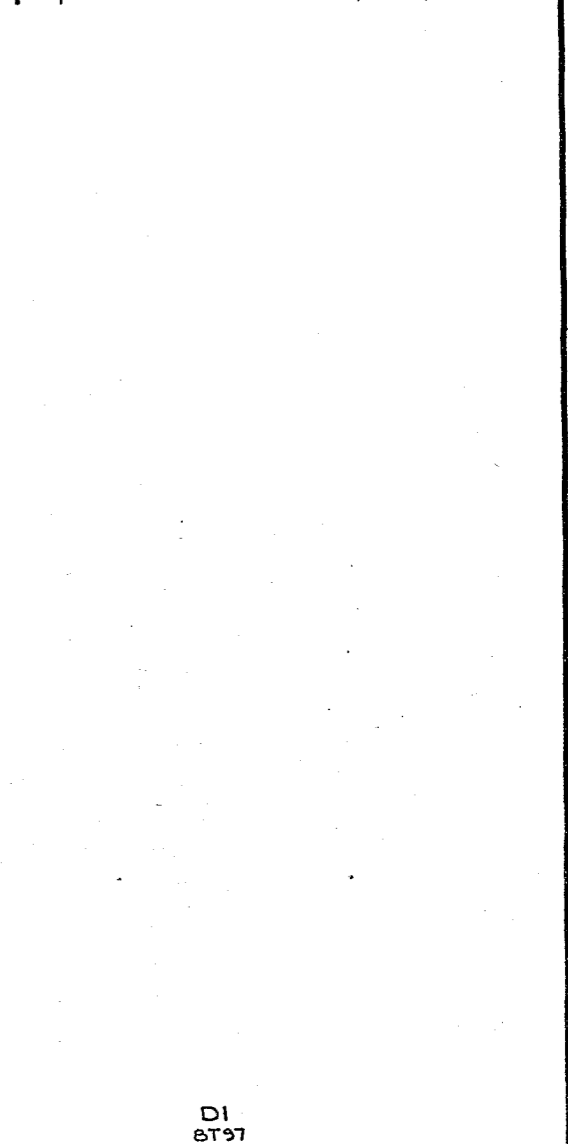
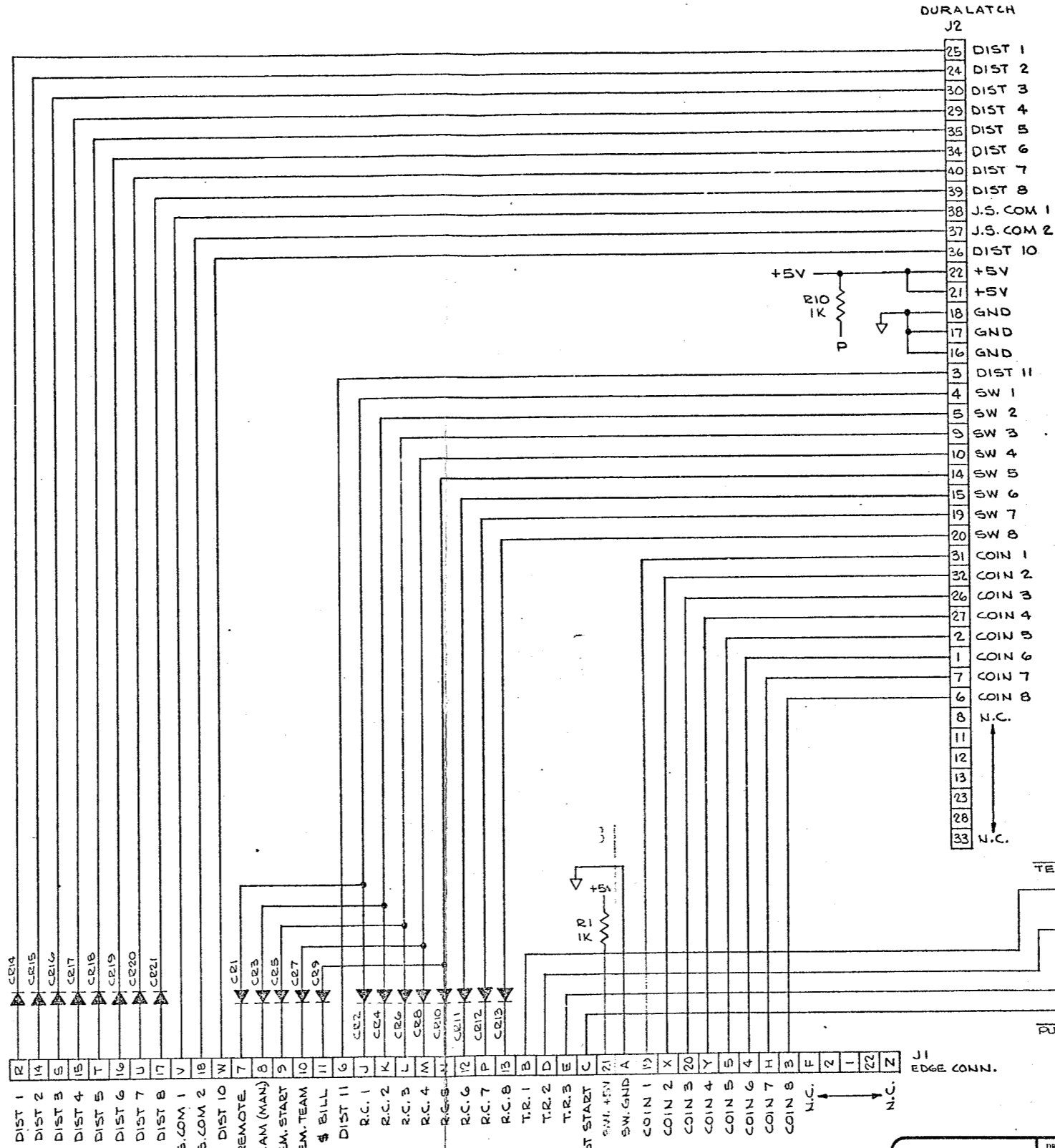
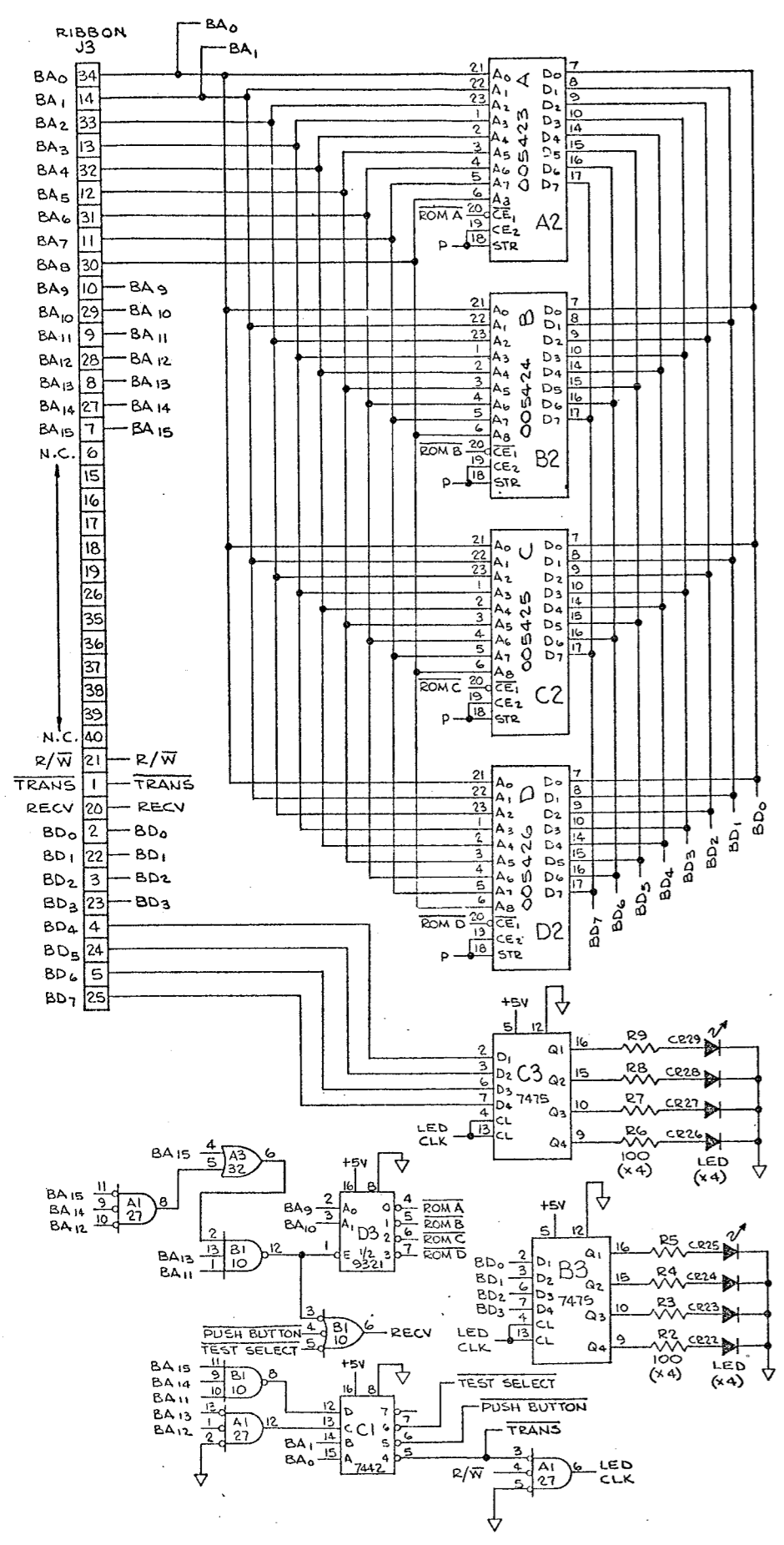
OUTSTANDING ECNs	

UNLESS OTHERWISE SPECIFIED DIMENSIONS ARE IN INCHES TOLERANCES ON: ANGLES = ±1° .5" ± .1 SURFACE FINISH .125" ± .03 .250" ± .010	DO NOT SCALE DRAWING DRAWN BY: <i>AC</i> DATE: <i>JUN 23</i>		ATARI INCORPORATED 14600 Winchester Boulevard Los Gatos, California 95030
	MATERIAL:	CHECKED:	
FINISH:	PROJECT ENGINEER:	MFG ENGINEER:	SIZE: D DRAWING NO: N/A SCALE: N/A
APPLICATION:	NEXT ASSY:	USED ON:	SHEET A OF A

NOTES: UNLESS OTHERWISE SPECIFIED

D
 DRAWING NO.
 SHEET
 REV
 C
 B
 A

SYM	DESCRIPTION	INITIALS and DATE		
		DRFTG	CHECK	ENGRG
A	PRODUCTION RELEASE	2/25/76	[Signature]	DRE



INTERPRET THIS DRAWING PER USASI V14.5	DRAWN BY <i>Slade</i> 2/25/76	DATE 2/25/76	 ATARI INCORPORATED 14600 Winchester Boulevard Los Gatos, California 95030
	UNLESS OTHERWISE SPECIFIED DIMENSIONS ARE IN INCHES TOLERANCES ON:	CHECKED	
FRACTIONS = 1/16 x .001	PROJECT ENGINEER <i>Don Peterson</i>	3/25/76	TITLE SCHEMATIC, EXPANSION TEST BD
ANGLES = 45°	DOCUMENT CONTROL		SIZE D
SURFACE FINISH = .001	APPROVED <i>[Signature]</i>		DRAWING NO 005175
MATERIAL:			REV A
			SCALE
			SHEET 1 OF 1

NOTICE TO ALL PERSONS RECEIVING THIS DRAWING
CONFIDENTIAL: Reproduces Formulas without the specific written permission of Atari Inc., Los Gatos, California. This drawing is only valid for use in the manufacture of the product described herein and no part of it may be reproduced or transmitted in any form or by any means electronic, mechanical, photocopying, recording, or by any information storage and retrieval system, without the prior written permission of Atari Inc., Los Gatos, California.

APPLICATION	TANK B
DATE	USED ON