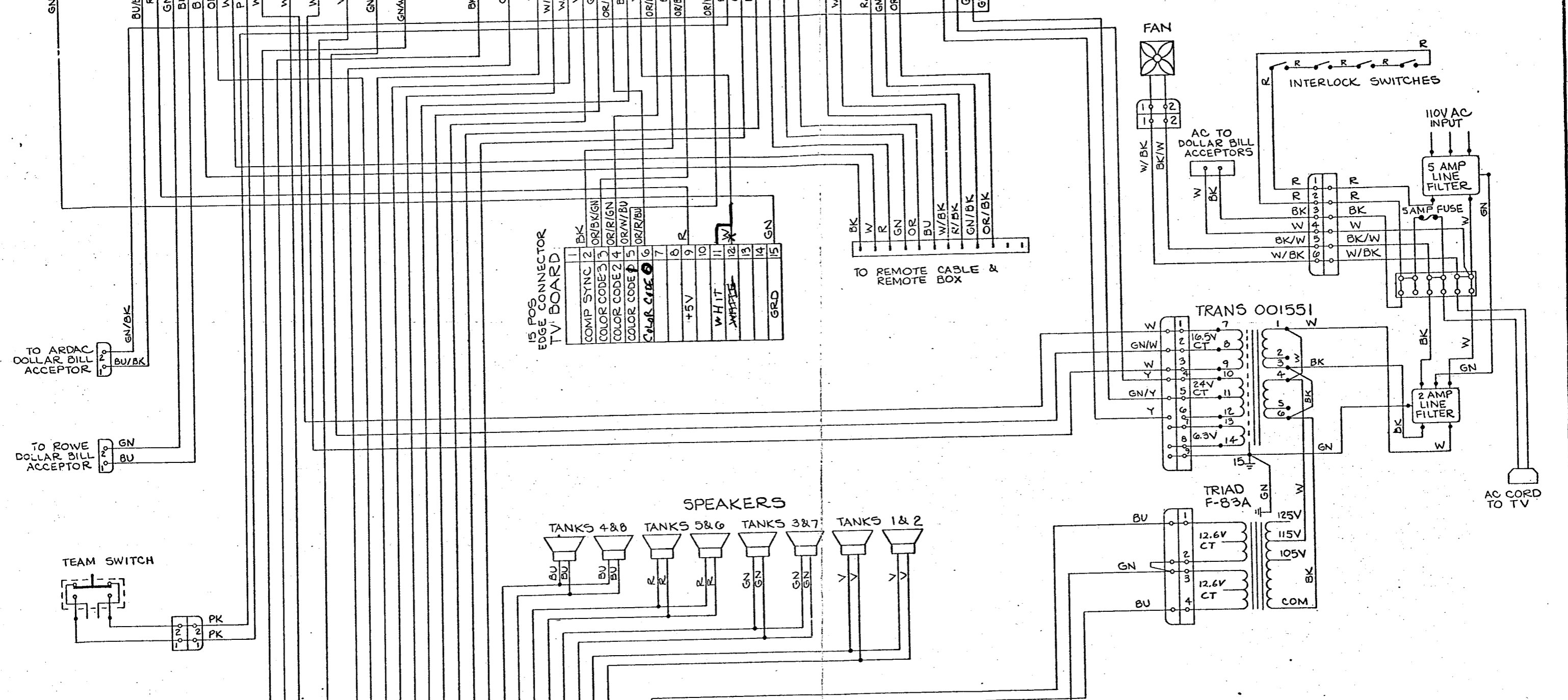


POS  
EDGE CONNECTOR  
GAME BOARD

1	GRD
A	GRD
2	GRD
B	GRD
3	GRD
C	GRD
4	ARDAC CREDIT
D	+5V TV
5	ROWE GRD
E	ROWE CREDIT
F	DIST II
G	BUGLE
H	DIST 10
I	TEAM SW
J	16.5V AC 1
K	16.5V AC 1
L	16.5V AC 1
M	16.5V AC 2
N	16.5V AC 2
O	16.5V AC 2
P	16.5V CT
Q	16.5V CT
R	16.5V CT
S	16.5V CT
T	16.5V CT
U	16.5V CT
V	16.5V CT
W	16.5V CT
X	16.5V CT
Y	16.5V CT
Z	16.5V CT
AA	EXPLOSION
AB	CRASH
AC	2V
AD	BBAZ
AE	ATTRACT
AF	BBDO
AG	BBAO
AH	COLOR CODE 0
AI	BBAI
AJ	WHITE VIDEO
AK	COLOR CODE 2
AL	COMP SYNC
AM	COLOR CODE 3
AN	COLOR CODE 1
AO	TEAM SW
AP	LOCK
AQ	MOTOR
AR	SW G
AS	SW 2
AT	SW 5
AV	SW 7
AW	SW 8
AX	COMP VIDEO
AY	SW 1
AZ	SW 3
BA	SW 4
BB	ANTENNA
BC	24V AC 1
BD	24V AC 2
BE	24V CT
BF	ARDAC GRD

REVISIONS

SYM	DESCRIPTION	DATE	INITIALS AND DATE
A	PROD. REL.	3-17-76	ED BRR

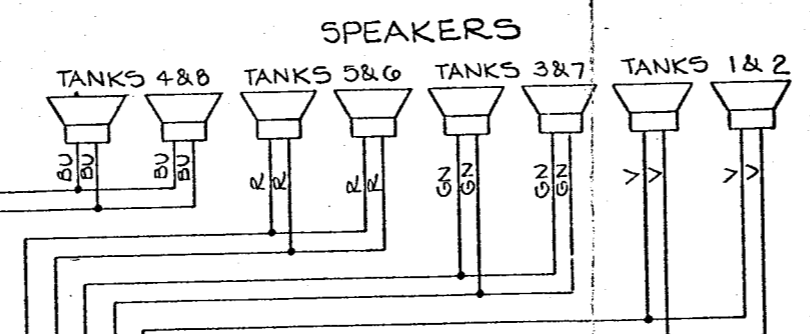


4-4 POS  
EDGE CONNECTOR  
AUDIO BOARD

1	GN/W
2	BK/W
3	W
4	W
5	GN
6	OR
7	Y
8	W/R
9	W/BU
10	B
11	GN
12	V
13	BK
14	GN
15	BU
16	BU
17	R
18	R
19	GN
20	GN
21	V
22	V
23	BU
24	BU
25	BU
26	BU
27	GN
28	GN
29	V
30	V
31	BU
32	BU
33	BU
34	GN
35	GN
36	CT
37	EXPLOSION
38	16.5V AC 1
39	16.5V AC 1
40	16.5V AC 1
41	16.5V AC 2
42	16.5V AC 2
43	16.5V AC 2
44	16.5V CT
45	16.5V CT
46	16.5V CT
47	16.5V CT
48	16.5V CT
49	16.5V CT
50	16.5V CT
51	16.5V CT
52	16.5V CT
53	16.5V CT
54	16.5V CT
55	16.5V CT
56	16.5V CT
57	16.5V CT
58	16.5V CT
59	16.5V CT
60	16.5V CT
61	16.5V CT
62	16.5V CT
63	16.5V CT
64	16.5V CT
65	16.5V CT
66	16.5V CT
67	16.5V CT
68	16.5V CT
69	16.5V CT
70	16.5V CT
71	16.5V CT
72	16.5V CT
73	16.5V CT
74	16.5V CT
75	16.5V CT
76	16.5V CT
77	16.5V CT
78	16.5V CT
79	16.5V CT
80	16.5V CT
81	16.5V CT
82	16.5V CT
83	16.5V CT
84	16.5V CT
85	16.5V CT
86	16.5V CT
87	16.5V CT
88	16.5V CT
89	16.5V CT
90	16.5V CT
91	16.5V CT
92	16.5V CT
93	16.5V CT
94	16.5V CT
95	16.5V CT
96	16.5V CT
97	16.5V CT
98	16.5V CT
99	16.5V CT
100	16.5V CT

15 POS  
EDGE CONNECTOR  
TV BOARD

1	BK
2	OR/BK/GN
3	OR/R/GN
4	OR/W/BU
5	OR/R/BU
6	OR/R/BU
7	OR/R/BU
8	R
9	R
10	R
11	W
12	W
13	GN
14	GN
15	GN



NOTICE TO ALL PERSONS RECEIVING THIS DRAWING  
 CONFIDENTIAL: Reproduction of this drawing without the specific written permission of Atari Inc., San Jose, California, is prohibited. This drawing is a preliminary design and neither the dimensions nor the tolerances are final. It is intended for use as a guide only. The subject matter of this drawing is the property of Atari Inc. and is not to be reproduced in any form without the written permission of Atari Inc. for reproduction by third parties for their own use. For manufacturer under the corporation's name, it is not to be reproduced in any form without the written permission of Atari Inc. for reproduction by third parties for their own use.

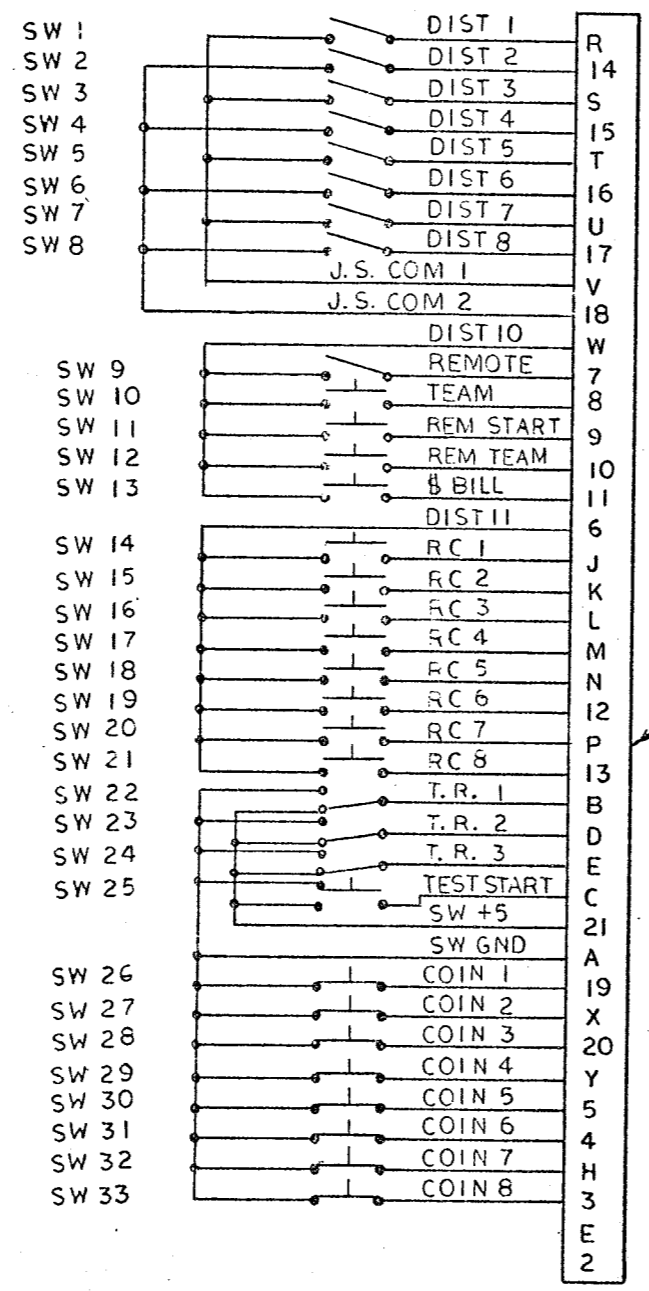
APPROVED	DATE
BY: [Signature]	3-18-76

INTERPRET THIS DRAWING PER USASI Y145 UNLESS OTHERWISE SPECIFIED DIMENSIONS ARE IN INCHES TOLERANCES ON: FRACTIONS = ±1/16    .3 = ±.2 ANGLES = ±1°    .38 = ±.01 SURFACE FINISH = .0005 A. 010	DRAWN BY: BRR CHECKED: DESIGN ENGINEER: [Signature] PROJECT ENGINEER: [Signature]	ATARI INCORPORATED 14600 Winchester Boulevard Los Gatos, California 95030
	MATERIAL: TANK 8	
NEXT ASSY: [Blank] USED ON: [Blank]	APPROVED: [Signature]	SIZE: D DRAWING NO: A005158 SCALE: 1:1 SHEET 1 OF 2

DRAWING NO. A005158  
 SHEET 1 OF 2  
 REV A

NOTICE TO ALL PERSONS RECEIVING THIS DRAWING  
 CONFIDENTIAL: Reproduction Forbidden without the specific written permission of Atari Inc., Los Gatos, California. This drawing is only conditionally issued, and neither receipt nor possession thereof confers or transfers any right in, or license to use, the subject matter of the drawing or any design or technical information shown thereon, nor any right to reproduce this drawing or any part thereof, except for manufacture by vendors for Atari Incorporated and for manufacture under the corporation's written license, no right to reproduce this drawing is granted or the subject matter thereof unless by written consent with or written permission from the corporation.

REVISIONS				
ZONE	SYM	DESCRIPTION	DATE	APPROVED



44 PIN EDGE CONNECTOR

OUTSTANDING ECNs	

D

DRAWING NO.

SHEET

REV

C

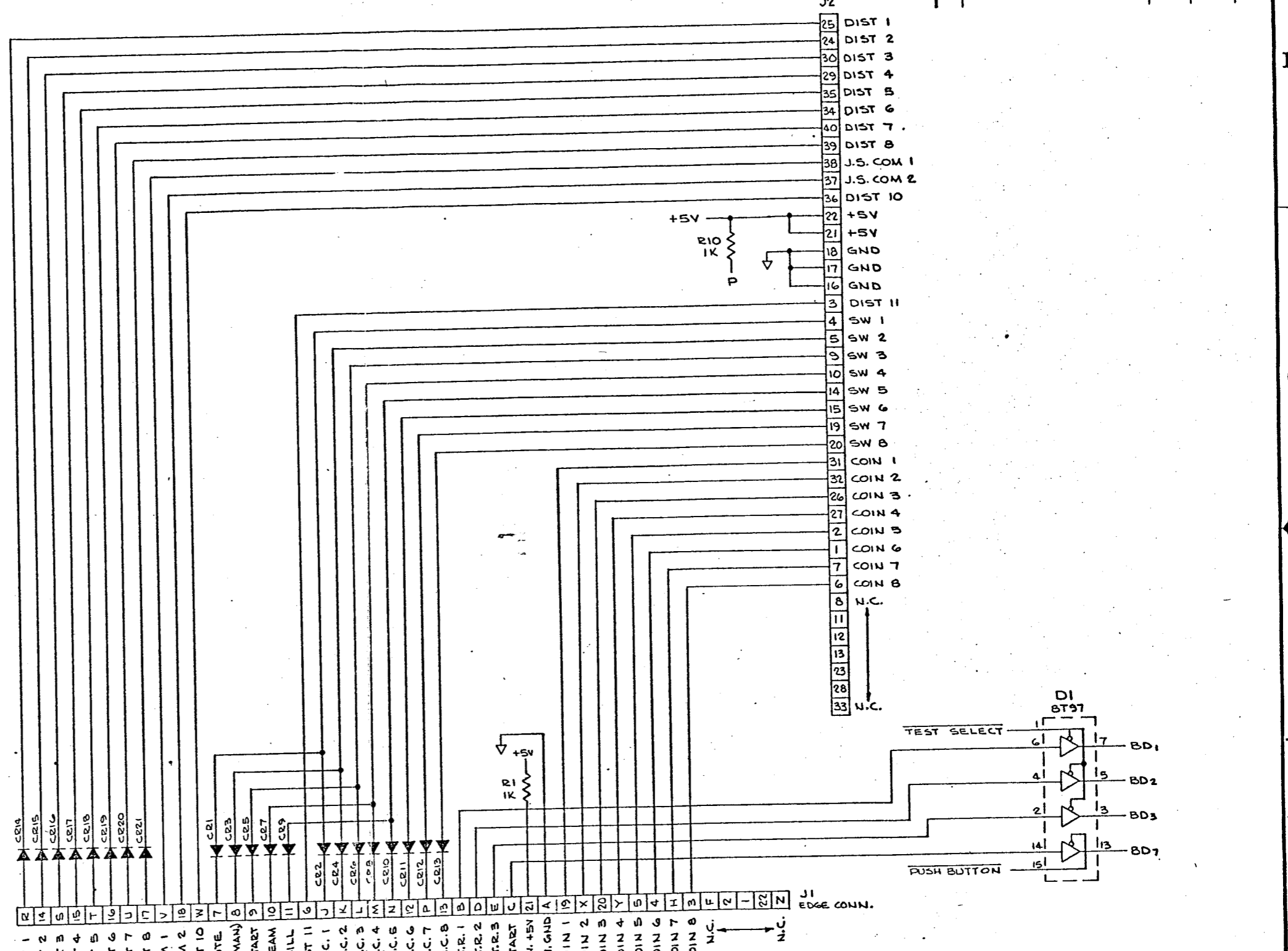
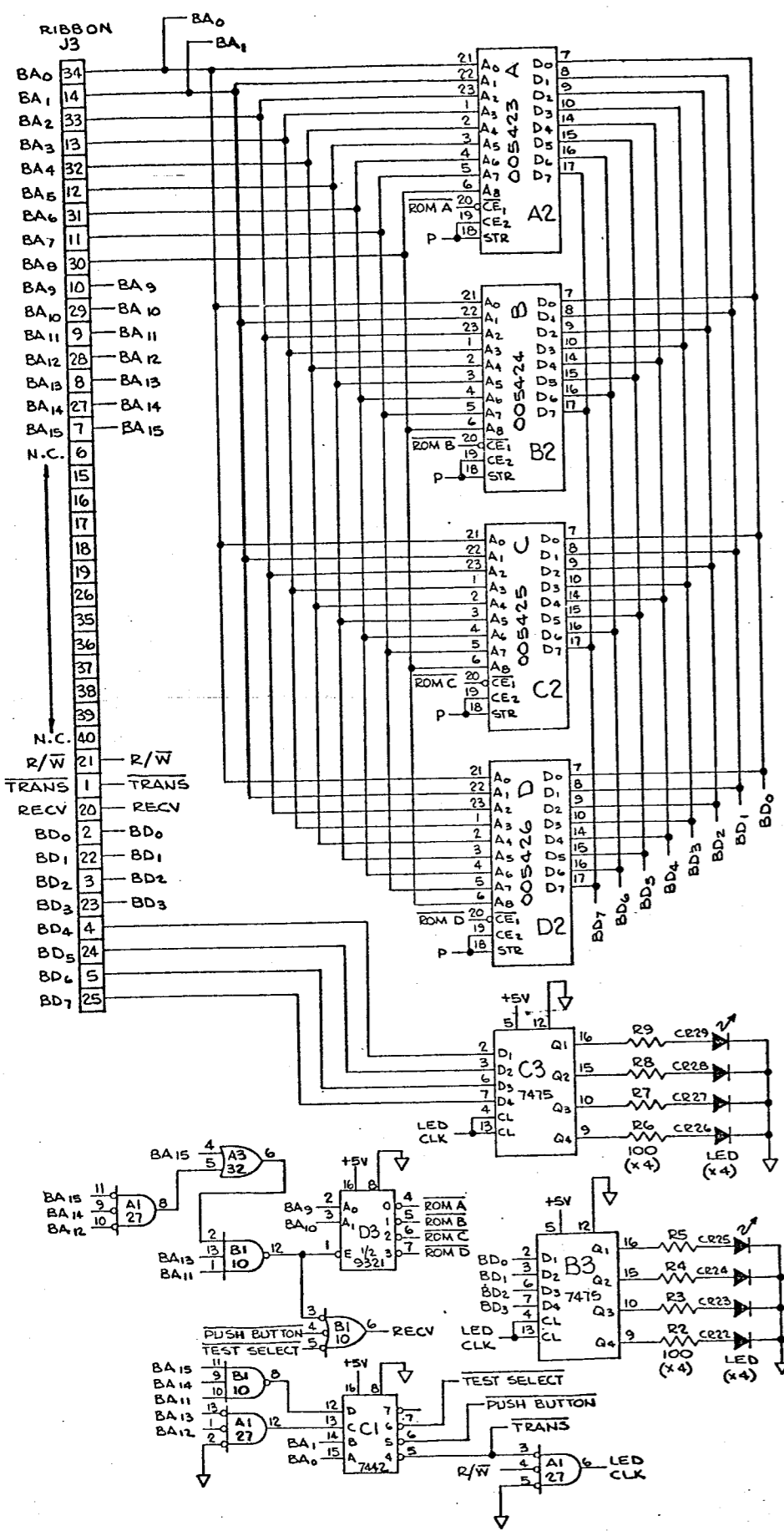
B

A

UNLESS OTHERWISE SPECIFIED DIMENSIONS ARE IN INCHES TOLERANCES ON: ANGLES = ±1° SURFACE FINISH ✓ x = ±.1 xx = ±.03 xxx = ±.010	DO NOT SCALE DRAWING	 ATARI INCORPORATED 14600 Winchester Boulevard Los Gatos, California 95030
	DRAWN BY: <i>AL</i> DATE: 2/25/76	
MATERIAL:	CHECKED:	TITLE: WIRE DIAGRAM EXPANSION PANNEL
FINISH:	ENGINEER:	SIZE: C      DRAWING NO.      REV
	PROJECT ENGINEER:	SCALE: N/A      SHEET      OF
	MFG ENGINEER:	

APPLICATION	NEXT ASSY	USED ON

NOTES: UNLESS OTHERWISE SPECIFIED



SYM	DESCRIPTION	REVISIONS		
		DATE	CHKD	ENGR
A	PRODUCTION RELEASE	3/25/76	BD	DR8

INTERPRET THIS DRAWING PER USASI Y14.3	DRAWN BY: <i>Slade</i> DATE: 3/25/76	ATARI INCORPORATED 14600 Winchester Boulevard Los Gatos, California 95030
UNLESS OTHERWISE SPECIFIED DIMENSIONS ARE IN INCHES TOLERANCES ON:	CHECKED:	
FRACTIONS = 1/16 3/4 = .75 ANGLES = 45° SURFACE FINISH = .0005 = .010	DESIGN ENGINEER: <i>Don Zickler</i>	TITLE: SCHEMATIC, EXPANSION TEST BD
MATERIAL:	PROJECT ENGINEER: 3/25/76	SIZE: D DRAWING NO: 005175
	DOCUMENT CONTROL:	SCALE: SHEET 1 OF 1
	APPROVED: <i>[Signature]</i>	REV: A

NOTICE TO ALL PERSONS RECEIVING THIS DRAWING  
 CONFIDENTIAL: Reproduction of this drawing without the specific written permission of Atari Inc., Los Gatos, California is prohibited. The drawing is the subject matter of a patent application and is hereby made available to you for your information only. No part of this drawing or technical information shown thereon, nor any right to reproduce the drawing or any part thereof, except for manufacture by vendors for Atari Incorporated and for manufacture under the corporate's written license, may be reproduced, stored in a retrieval system, or transmitted in any form or by any means, electronic, mechanical, photocopying, recording, or by any information storage and retrieval system, without the prior written permission of Atari Inc.

TANK B	USED ON
APPLICATION	

DRAWING NO. SHEET REV

