



ASSEMBLY TITLE / T.V. Monitor Panel P/L
 CIS-1 Part List Section 1

PARTS LIST SPECIFICATION Page 1 of 9

| | |
|------------|------------|
| Drawn | |
| Checked | Mech. Eng. |
| Proj. Eng. | Elec. Eng. |
| | Mfg. Eng. |
| | Rev. |

| Rev. | Description | Date | Apprv. | Rev. | Description | Date | Apprv. |
|------|-------------|------|--------|------|-------------|------|--------|
| | | | | | | | |
| | | | | | | | |
| | | | | | | | |
| | | | | | | | |
| | | | | | | | |
| | | | | | | | |
| | | | | | | | |

| Item | Part Number | Qty. | Description |
|------|----------------|------|--|
| 1 | 021-SUB1* | 1 | T.V. MONITOR FRONT PANEL |
| 2 | 021-SUB2* | 1 | BRACKET FOR FRONT PANEL |
| 3 | REV. B* | 1 | FRONT PANEL 1/8" PLEXIGLASS |
| 4 | 61-062A* | 1 | TOGGLE SWITCH SPDT (POWERSWITCH) |
| 5 | 342-028 | 1 | FUSE HOLDER Little Fuse |
| 6 | TM-612 | 1 | T.V. MONITOR 12" TVI |
| 7 | 46-2010502* | 1 | 1/2 AMP, 125VAC FUSE |
| 8 | 1-480319-0 | 1 | COMMERCIAL MATE-N-LOK CONNECTOR, MALE AMP |
| 9 | 1-480318-0 | 1 | " " " FEMALE AMP |
| 10 | 60618-1 | 2 | PIN CONTACT BRASS-TIN AMP |
| 11 | 60617-1 | 2 | SOCKET CONTACT BRASS-TIN AMP |
| 12 | JAIN056S-102VA | 1 | LINEAR TAPER, SLOTTED A-B |
| 13 | JAIN056S-502VA | 1 | " " " " |
| 14 | JAIN056S-103VA | 1 | " " " " |
| 15 | JAIN056S-104VA | 1 | " " " " |
| 16 | 1-480708-0 | 1 | UNIVERSAL MATE-N-LOK CONNECTOR PLUG AMP |
| 17 | 350689-1 | 9 | UNIVERSAL CONTACTS SOCKET AMP |
| 18 | 61-011C* | 1 | TOGGLE SWITCH (C & K OR AMERICAN) |
| 19 | 10-5750* | 1 | 75 OHM, 1/4W. RESISTOR |
| 20 | 10-5470* | 1 | 470 OHM, 1/4W. RESISTOR |
| 21 | 21-250103* | 2 | .01 MF MYLAR CAP. |
| 22 | 75-2608S* | 9 | 1/2" - 6X32 SCREWS |
| 23 | 75-916S* | 9 | 6X32 HEX. NUT |
| 24 | 75-056* | 9 | #6 LOCK WASHER |
| 25 | 75-016S* | 9 | #6 FLAT WASHER |

* ATARI PART #



| | |
|-------------------------------|------------|
| ASSEMBLY TITLE / Master Panel | P/L |
| PARTS LIST SPECIFICATION | |
| Page 3 of 8 | |
| Drawn | |
| Checked | Mech. Eng. |
| Proj. Eng. | Elec. Eng. |
| | Mfg. Eng. |
| | Rev. |

| Rev. | Description | Date | Apprv. | Rev. | Description | Date | Apprv. |
|------|-------------|------|--------|------|-------------|------|--------|
| | | | | | | | |
| | | | | | | | |
| | | | | | | | |
| | | | | | | | |
| | | | | | | | |
| | | | | | | | |
| | | | | | | | |
| | | | | | | | |

| Item | Part Number | Qty. | Description | |
|------|------------------------------|------|---|---------------|
| 26 | TYPE 371 | 2 | VARIABLE AUTO TRANSFORMER | STACO |
| 27 | S000A | 1 | FLUKE DMM METER | FLUKE |
| 28 | SS2-35 | 6 | SPACER (FOR VARIAC MOUNTING) | |
| 29 | W67X2Q1-2-7 | 1 | 7 AMP CIRCUIT BREAKER AMF P&B | P&B |
| 30 | W67X2Q1-2-2 | 3 | 2 AMP CIRCUIT BREAKER P&B | P&B |
| 31 | W68X2Q1-3-10 | 1 | 10 AMP CIRCUIT BREAKER AMP P&B | P&B |
| 32 | 75-5604B* | 12 | SCREWS, R/H 6-32 x 1/4" BLACK OXIDE | |
| 33 | 206-102 | 8 | BANANA JACK | H. H. SMITH |
| 34 | DL1-156R <i>086-0030-000</i> | 3 | PROGRAM PLUG RECEPTACLE | CANNON |
| 35 | 75-240SS* | 12 | SCREWS, 4-40 x 1/2" PHILLIPS HEAD | |
| 36 | 75-914S* | 12 | NUT HEX 4-40 | |
| 37 | 75-014S* <i>030-240-</i> | 12 | FLAT WASHER #4 | |
| 38 | 030-2064-010-001 | 470 | RECEPTACLE CONTACT | CANNON |
| 39 | 47-1001* | 1 | COIN-COUNTER | |
| 40 | CD93-RCB0510 | 8 | LIGHT 5V - 10 MA RED | ELDEMA |
| 41 | 910-401X-231XX | 8 | LAMP HOLDER & COLLAR ASSY | LITTLE FUSE |
| 42 | 62-011* | 2 | LICON SWITCH WITHOUT LITE | |
| 43 | 62-002* | 1 | LICON SWITCH WITH LITE | |
| 44 | KPTM06F22-55S | 2 | 55 PIN CIRCULAR CONNECTOR | CANNON |
| 45 | KPTM06F22-55P | 2 | " " " " | " |
| 46 | 03-0-9036-000 | 110 | CONTACTS CIRCULAR CONNECTOR | " |
| 47 | | 110 | " " " " | " |
| 48 | 60617-1 | 32 | CONTACTS (FEMALE) | AMP |
| 49 | 60618-1 | 32 | CONTACTS (MALE) | " |
| 50 | 1-480270-0 | 1 | CONNECTOR-6 PIN (NYLON) REVERB | " |
| 51 | 1-480271-0 | 1 | " " " " | " |
| 52 | 1-480431-0 | 1 | CONNECTOR-10 PIN (NYLON) STEERING | " |
| 53 | 1-480434-0 | 2 | CONNECTOR-12 PIN (FEMALE) | " |
| 54 | 1-480433-0 | 2 | CONNECTOR-12 PIN (MALE) | " |
| 55 | 509723 | 8 | QUICK DISCONNECT (CIRCUIT BREAKER) | HOLLINGSWORTH |
| 56 | 509727 | 28 | QUICK DISCONNECT (JOY STICKS) | " |
| 57 | | 1 | BRACKET FOR COIN COUNTER DWG #013 | |
| 58 | | 1 | BRACKET FOR CIRCULAR CONNECTOR DWG #014 | |
| 59 | | 2 | MOUNTING PLATE FOR FLUKE METER DWG #1-002 | |
| 60 | Y7-S4-AS | 7 | SCREW 4+40x 3/16 R/HD VARIAC PLATE DIAL | WINFORDBERG |
| 61 | 75-5008B* | 2 | SCREW R/H 10-32x 1/2" BLACK OXIDE | |
| 62 | 75-010B* | 2 | WASHER #10 BLACK OXIDE | |

*ATARI PART #



ASSEMBLY TITLE / MASTER PANEL P/L
 CTS-1 PART LIST SECTION II

PARTS LIST SPECIFICATION Page 3 of 8

| | |
|------------|------------|
| Drawn | |
| Checked | Mech. Eng. |
| Proj. Eng. | Elec. Eng. |
| | Mfg. Eng. |
| | Rev. |

| Rev. | Description | Date | Apprv. | Rev. | Description | Date | Apprv. |
|------|-------------|------|--------|------|-------------|------|--------|
| | | | | | | | |
| | | | | | | | |
| | | | | | | | |
| | | | | | | | |
| | | | | | | | |
| | | | | | | | |
| | | | | | | | |

| Item | Part Number | Qty. | Description |
|------|-------------------|------|---|
| 63 | 11-272 | 2 | SERIES 11; 2 POLE, ALTERNATE ACTION SWITCH UNIMAX |
| 64 | 11-931(R) | 1 | LENS CAP (RED) (FOR MAIN SWITCH) " |
| 65 | 11-931(Y) | 1 | LENS CAP (GREEN) (FOR AUX SWITCH) " |
| 66 | 11-937 | 2 | BEVELED KNURLED FACENUT (630 O.D.) " |
| 67 | 11-903 (6 VOLTS) | 1 | LAMP (FOR MAIN SWITCH) T1 LONG LIFE BI-PIN " |
| 68 | 11-903 (12 VOLTS) | 1 | LAMP (FOR AUX SWITCH) T1 LONG LIFE BI-PIN " |



ASSEMBLY TITLE / CONTROL PANEL P/L
 CTS-1 PART LIST SECTION III

PARTS LIST SPECIFICATION Page 4 of 9

| | |
|-------------|-------------|
| Drawn | |
| Checked | Mech. Eng. |
| Proj. Eng.. | Elec. Eng.. |
| | Mfg. Eng. |
| | Rev. |

| Rev. | Description | Date | Apprv. | Rev. | Description | Date | Apprv. |
|------|-------------|------|--------|------|-------------|------|--------|
| | | | | | | | |
| | | | | | | | |
| | | | | | | | |
| | | | | | | | |
| | | | | | | | |
| | | | | | | | |
| | | | | | | | |
| | | | | | | | |

| Item | Part Number | Qty. | Description | |
|------|----------------|--------|---|---------------|
| 69 | 1401 | 1 | SWITCH ROTARY-MINIATURE | CENTRA LAB |
| 70 | JAIH0565-502UA | 4 | LINEAR TAPER SLOTTED | A-B |
| 71 | 73-819* | 5 | KNOB | |
| 72 | CN2-9 | 1 | HAND CRANK | BEARING SPEC. |
| 73 | BC-22-3T | 1 | BEARING MOUNTING PLATE | " |
| 74 | B1-9 | 1 | BEARING BALL | " |
| 75 | S4-17 | 1 | STAINLESS STEEL SHAFT DWG #012 SUB 1 | " |
| 76 | Q1-25 | 1 | RETAINER RING | " |
| 77 | Q4-62 | 1 | INT RETAINER RING | " |
| 78 | SV-9 | 1 | SPRING BEARING PRE-LOAD | " |
| 79 | A000616* | 1 | HUB LIGHT | |
| 80 | A009714-0* | 1 | STEERING BOARD SPRINT IV | |
| 81 | B6-9 | 1 | BRASS BUSHING GROOVE | |
| 82 | SS2-35 | 1 | SPACER STEERING SHAFT | WINFORDBERG |
| 83 | 8882 | 4 | SPACER STEERING BOARD | H. H. SMITH |
| 84 | . | 1 | PHENOLIC PLATE, 3" x 2.25" x 1/8" | |
| 85 | C12B | 1 | STEREO JACK 1/4" I.D. W/PNI MNT INSULATOR | ZACK |
| 86 | 14B | 1 | JACK, PHONO - CLOSED CIRCUIT | " |
| 87 | 31-010 | 2 | INSULATED BNC PANEL MOUNT | AMPHENOL |
| 88 | 7301-SZQ | 4 | THREE POLE DOUBLE THROW SWITCH | C&K |
| 89 | 002781* | 1 | KRAFT JOYSTICK | |
| 90 | 002303* | 2 | JOYSTICK WITH PUSH BUTTON | |
| 91 | 62-003* | 10 | SWITCH PUSH BUTTON | |
| 92 | 61-011C* | 2 | SWITCH TOGGLE | |
| 93 | HT105C | 300FT. | SHRINK TUBING, BLACK 1" | JAROME |
| 94 | RT-800 | 100FT. | SHRINK TUBING, 3/32" | " |
| 95 | 13-5100* | 2 | RESISTOR, 10 OHM-2 WATT | |
| 96 | 10-5102* | 4 | RESISTOR 1K OHM-1/4 WATT | |
| 97 | 75-3408S* | 4 | SCREW FLAT HEAD MACHINE 4-40 x 1/2" | |
| 98 | 75-954S* | 4 | LOCK NUT, 4-40 | |
| 99 | 78-6A9161* | 2 | DOUBLE SIDED TAPE 1" x 2 1/2" x 1/16" | |
| 100 | | 1 | ALUMINUM PLATE 3" x 2.25" x 1/16" | |
| 101 | E33-00A | 10 | SWITCHES FOR JOYSTICK WITH PUSHBUTTON | CHERRY |

*ATARI PART #



ASSEMBLY TITLE / POWER SUPPLIES BOTTOM PLATE P/L
 CTS-1 PART LIST SECTION IV

PARTS LIST SPECIFICATION Page 5 of 8

| | |
|------------|------------|
| Drawn | |
| Checked | Mech. Eng. |
| Proj. Eng. | Elec. Eng. |
| | Mfg. Eng. |
| | Rev. |

| Rev. | Description | Date | Apprv. | Rev. | Description | Date | Apprv. |
|------|-------------|------|--------|------|-------------|------|--------|
| | | | | | | | |
| | | | | | | | |
| | | | | | | | |
| | | | | | | | |
| | | | | | | | |
| | | | | | | | |
| | | | | | | | |

| Item | Part Number | Qty. | Description |
|------|-------------|------|--------------------------------------|
| 102 | F16X | 1 | 6.3 VOLT-3 AMP FILIAMENT TRANSFORMER |
| 103 | SPS-30-30 | 1 | 30 VOLT-1 AMP DC. POWER SUPPLY |
| 104 | SPS-30-5 | 1 | 5 VOLT-3 AMP DC. POWER SUPPLY |
| 105 | 93-501* | 1 | REVERB UNIT O1SCN X75 |
| 106 | SAR 5910 | 2 | TRANSFORMER STEP DOWN 110V + 45V |
| 107 | 1-480433-0 | 1 | CONNECTOR 12 PIN (MALE) |
| 108 | 1-480434-0 | 1 | CONNECTOR 12 PIN (FEMALE) |
| 109 | 93-501* | 2 | INSULATOR WASHER, REVERB UNIT ? |
| 110 | 41-2008* | 1 | LINE FILTER 115/250 VOLT A.C. 10 AMP |

ZACK
 STAN. PWR.
 "
 SARTON
 AMP
 "

* ATARI PART #



KEE GAMES
a wholly
owned subsidiary
of Atari Inc.

| | |
|------------|-----------------|
| Drawn | |
| Checked | Mech. Eng. |
| Proj. Eng. | Elec. Eng. Rev. |
| | Mfg. Eng. |

| Rev. | Description | Date | Apprv. | Rev. | Description | Date | Apprv. |
|------|-------------|------|--------|------|-------------|------|--------|
| | | | | | | | |
| | | | | | | | |
| | | | | | | | |
| | | | | | | | |
| | | | | | | | |
| | | | | | | | |
| | | | | | | | |

| Item | Part Number | Qty. | Description |
|------|----------------|------|--------------------------------------|
| 111 | RT206 | 1 | TRANSFORMER STANCOR |
| 112 | 6-142 | 1 | BARRIER TERMINAL BLOCK |
| 113 | 1N3839 | 2 | DIODE, MOTOROLA MOTOROLA |
| 114 | 36D253G040CD2A | 1 | CAPACITOR 25000 UF-40 VOLTS MALLORY |
| 115 | VR10 | 1 | CLAMP, CAPACITOR " |
| 116 | | 1 | PANEL (19" x 5" x 119") DWG #AUX-001 |
| 117 | AUX-1002* | 1 | BRACKET FOR CIRCUIT BREAKERS DWG. |
| 118 | | 1 | BRACKET FOR DIODES DWG NO. AUX-1002 |
| 119 | 54-401* | 3 | POWER CORD A.C. 8FT. |
| 120 | 45 US28 | 2 | CABINET LATCHES PACIFIC HDW. |
| 121 | 582777-1 | 2 | EDGE CONNECTOR AMP |
| 122 | 2693 | 20 | CATERPILLAR GROMMET H. H. SMITH |
| 123 | 2157 | 4 | EXTRUDED FIBER WASHER " |
| 124 | | 2 | HARDWARE FOR DIODES MOTOROLA |

* ATARI PART #



ASSEMBLY TITLE / EXPANSION PANEL A

P/I-A8-0301-003

PARTS LIST SPECIFICATION

Page 1 of 1

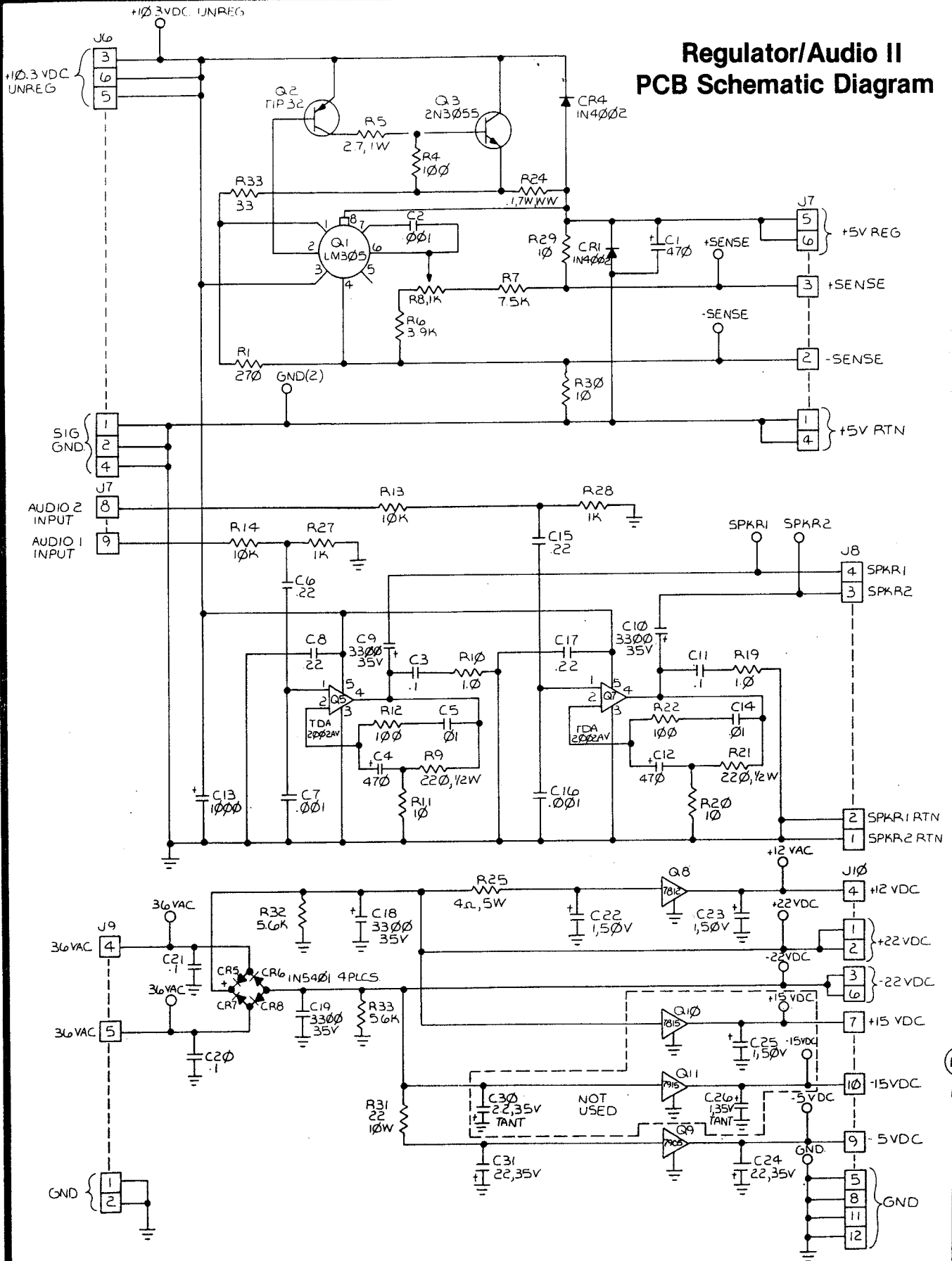
| | | |
|------------|------------|------|
| Drawn | | |
| Checked | Mech. Eng. | |
| Proj. Eng. | Elec. Eng. | Rev. |
| | Mfg. Eng. | |

| Rev. | Description | Date | Apprv. | Rev. | Description | Date | Apprv. |
|------|-------------|------|--------|------|-------------|------|--------|
| | | | | | | | |
| | | | | | | | |
| | | | | | | | |
| | | | | | | | |
| | | | | | | | |
| | | | | | | | |

| Item | Part Number | Qty. | Description |
|------|----------------|------|----------------------------|
| 1 | A8-0301-003 | 1 | Panel, metal 119" thick |
| 2 | 910-401X-231XX | 20 | Lamp holder & collar assy. |
| 3 | CD93-PCB0510 | 20 | Light 5V-10ma |
| 4 | JMT-131 | 20 | Switch |
| 5 | 2-89595-1 | 2 | 50 pin receptacle |
| 6 | 1-66506-0 | 100 | Pins (male) |

LITTLE FUSE
ELDEMA
CUTLER HAMMER
AMP

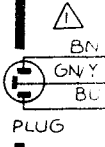
Regulator/Audio II PCB Schematic Diagram



GRA
WIRE
200

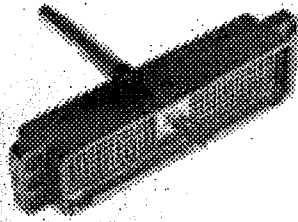
VIOLE
WIRE
100

120V
AC
OUT



DL1 — Plastic Body — 156 Pin Connectors — Crimp Contacts

Plug

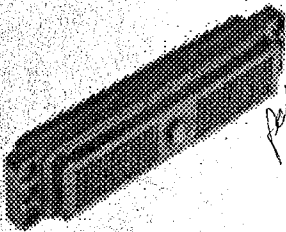


- For contact cavity arrangement, see page 68.
- For panel cutout and mounting hole pattern, see page 65.
- Crimp contacts are to be ordered separately and installed by customer, see pages 52-53.
- Order actuating handle kit separately, see page 47.

PRE-GENESIS 13
\$27.50 US

| Part Number | Nomenclature |
|-------------|--------------|
| 110535-0000 | DL1-156P |

Receptacle



- For contact cavity arrangement, see page 68.
- For panel cutout and mounting hole pattern, see page 65.
- Crimp contacts are to be ordered separately and installed by customer, see pages 52-53.

1-800-575-1500
AVNET
PRE-GENESIS 13
\$7.62 US x2 =
Q=100 (0.18 US) 24-26 ± 0.30-2410-001

| Part Number | Nomenclature |
|--------------|--------------|
| 086-0030-000 | DL1-156R |

