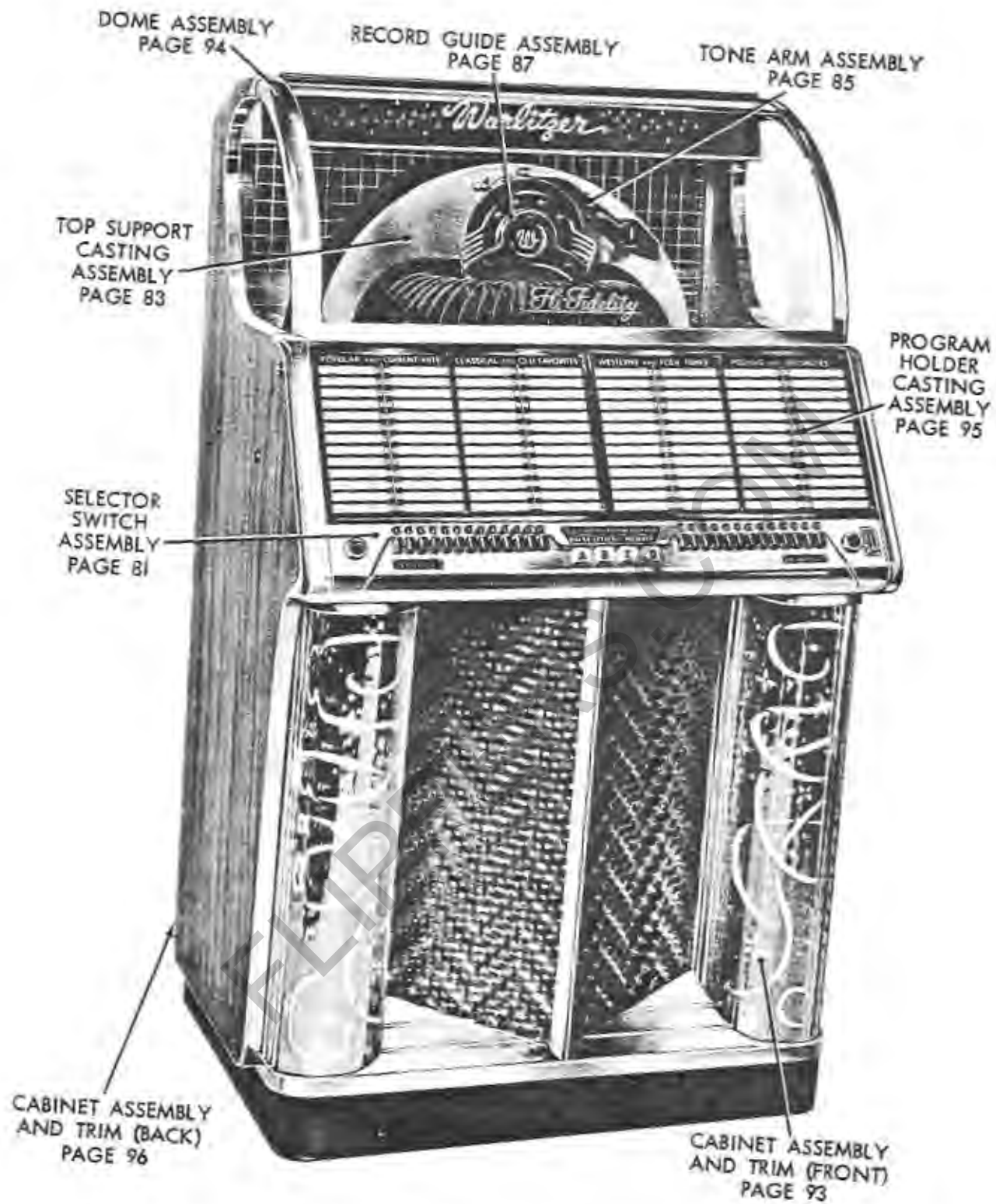
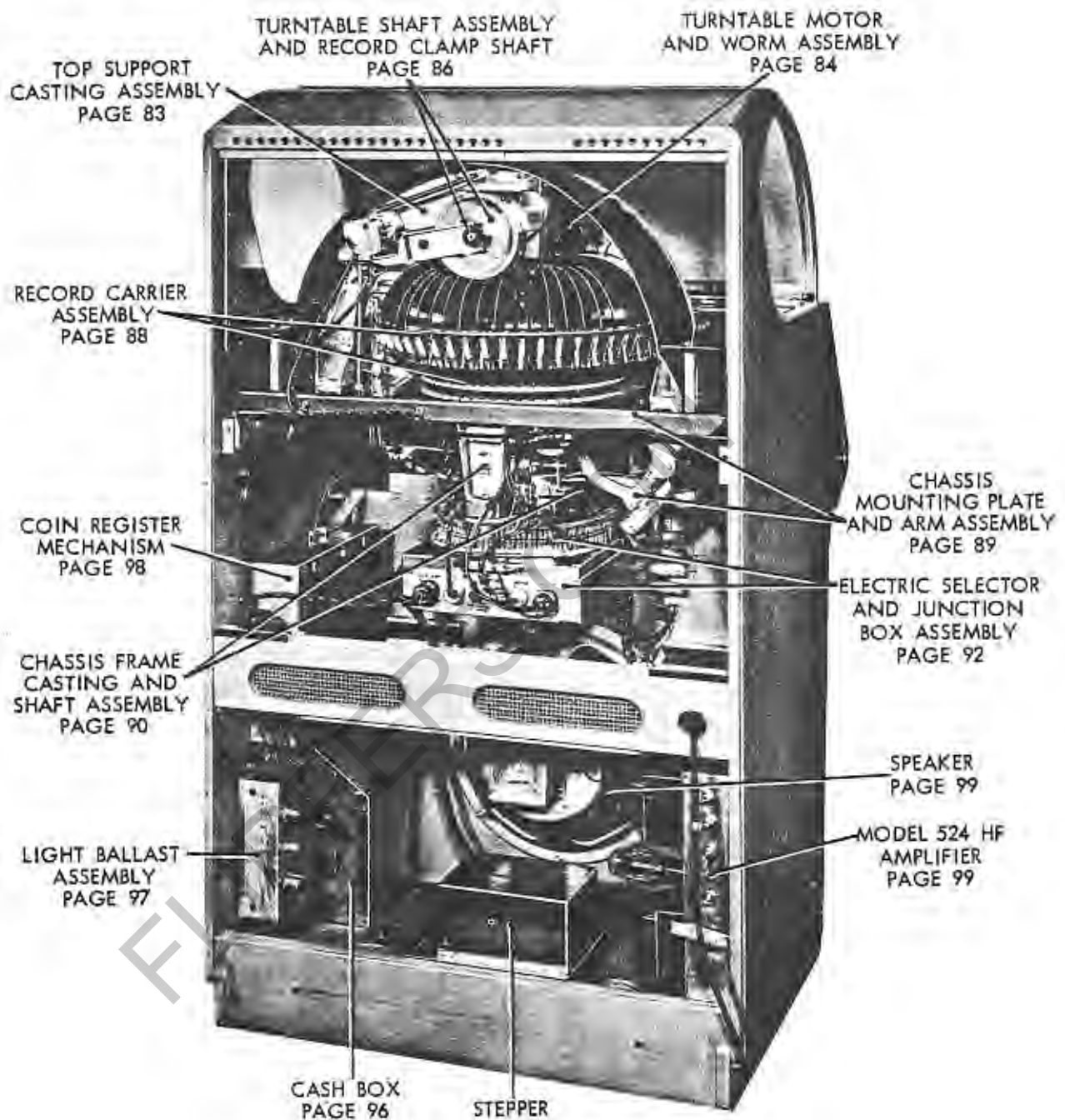


ALPHABETICAL LIST OF ILLUSTRATIONS

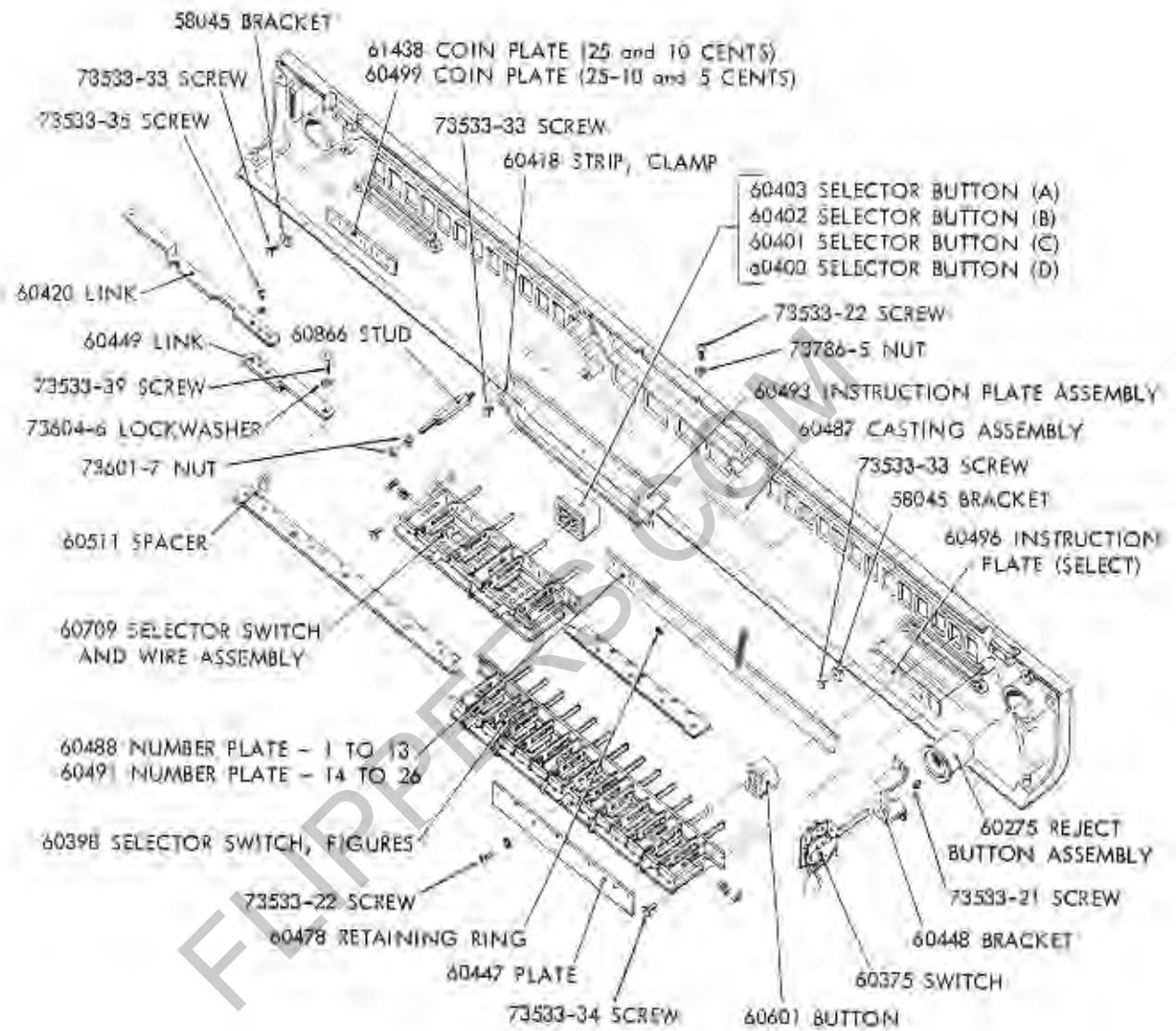
TITLE	PAGE
Amplifier, Model 524HF (Top)	99
Amplifier, Model 524HF (Bottom)	100
Cabinet Assembly and Trim (Front)	93
Cabinet Assembly and Trim (Back)	96
Chassis Frame Casting and Shaft Assembly	90
Chassis Mounting Plate and Pivot Casting Arm Assembly	89
Coin Register Mechanism	98
Dome Assembly	94
Electric Selector and Junction Box Assembly	92
Light Ballast Assembly	97
Program Casting Assembly	95
Record Carrier Assembly	88
Record Guide Assembly	87
Selector Shaft Assembly and Main Cam and Bushing Assembly	91
Selector Switch Assembly (Part 1)	81
Selector Switch Assembly (Part 2)	82
Tone Arm Assembly	85
Top Support Casting Assembly	83
Turntable Motor and Gear and Shaft Assembly	84
Turntable Shaft Assembly, Record Clamp Shaft, and Mounting Plate and Ball Bearing Assembly	86



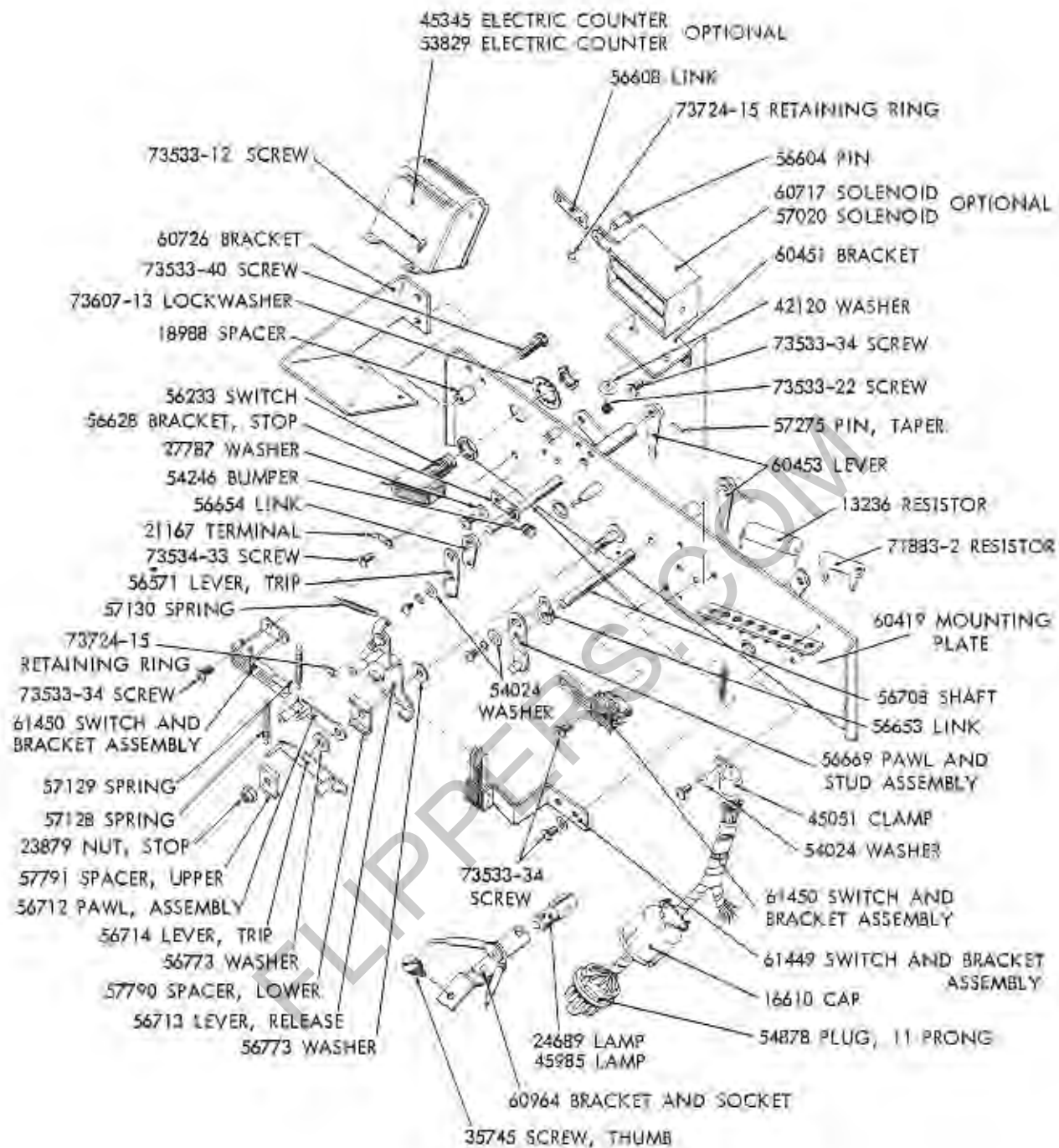
Key Illustration - Models 1700 and 1700F



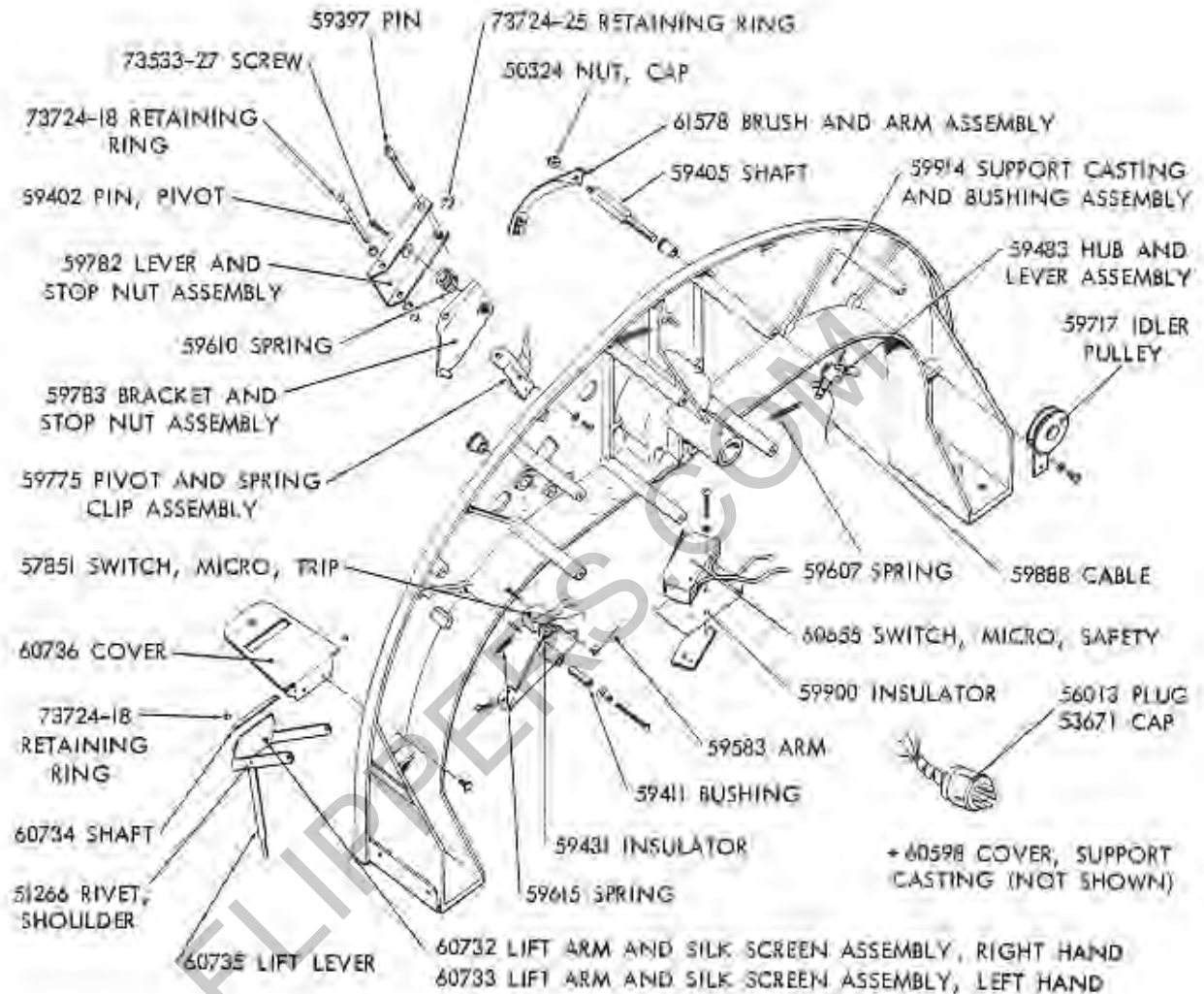
Key Illustration - Models 1700 and 1700F



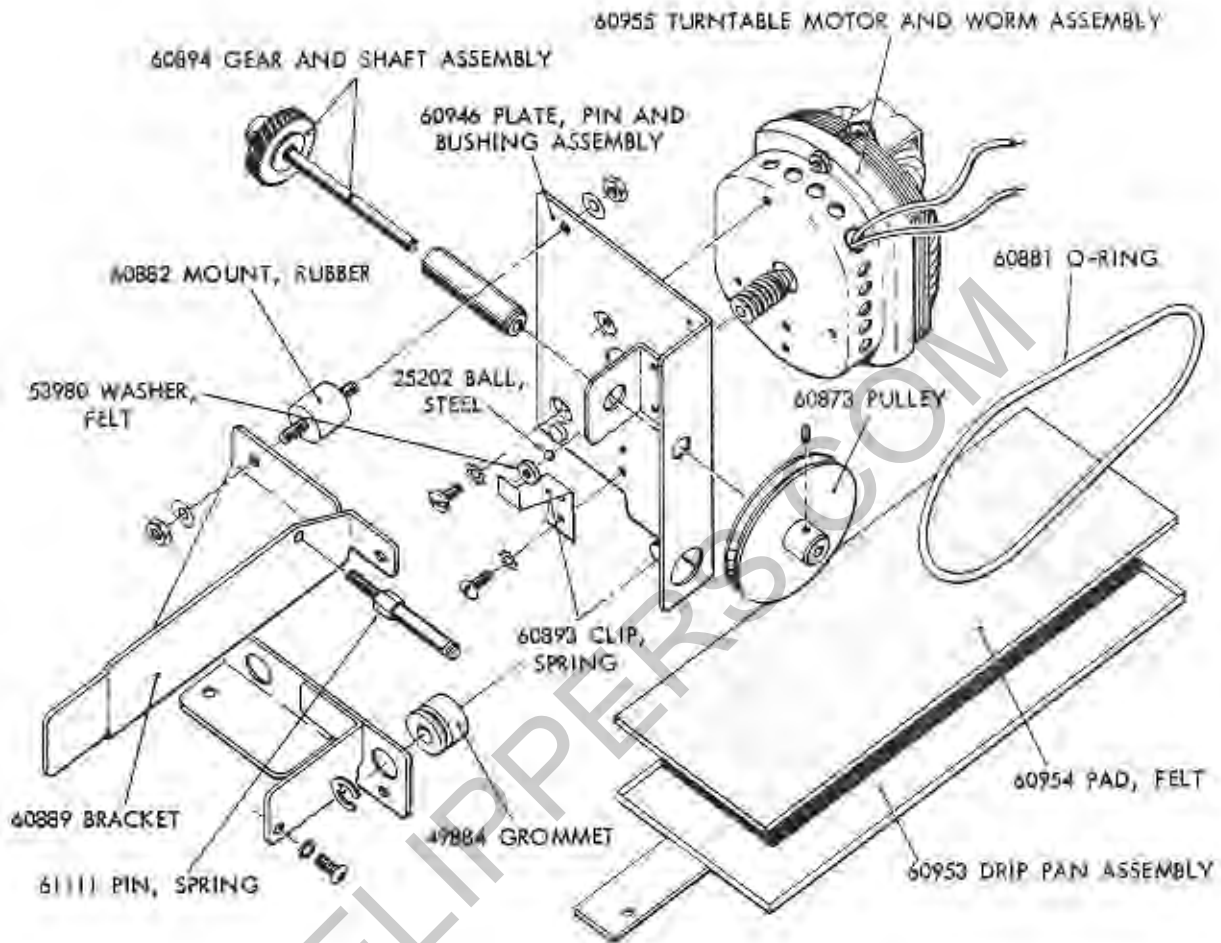
Selector Switch Assembly (Part 1)



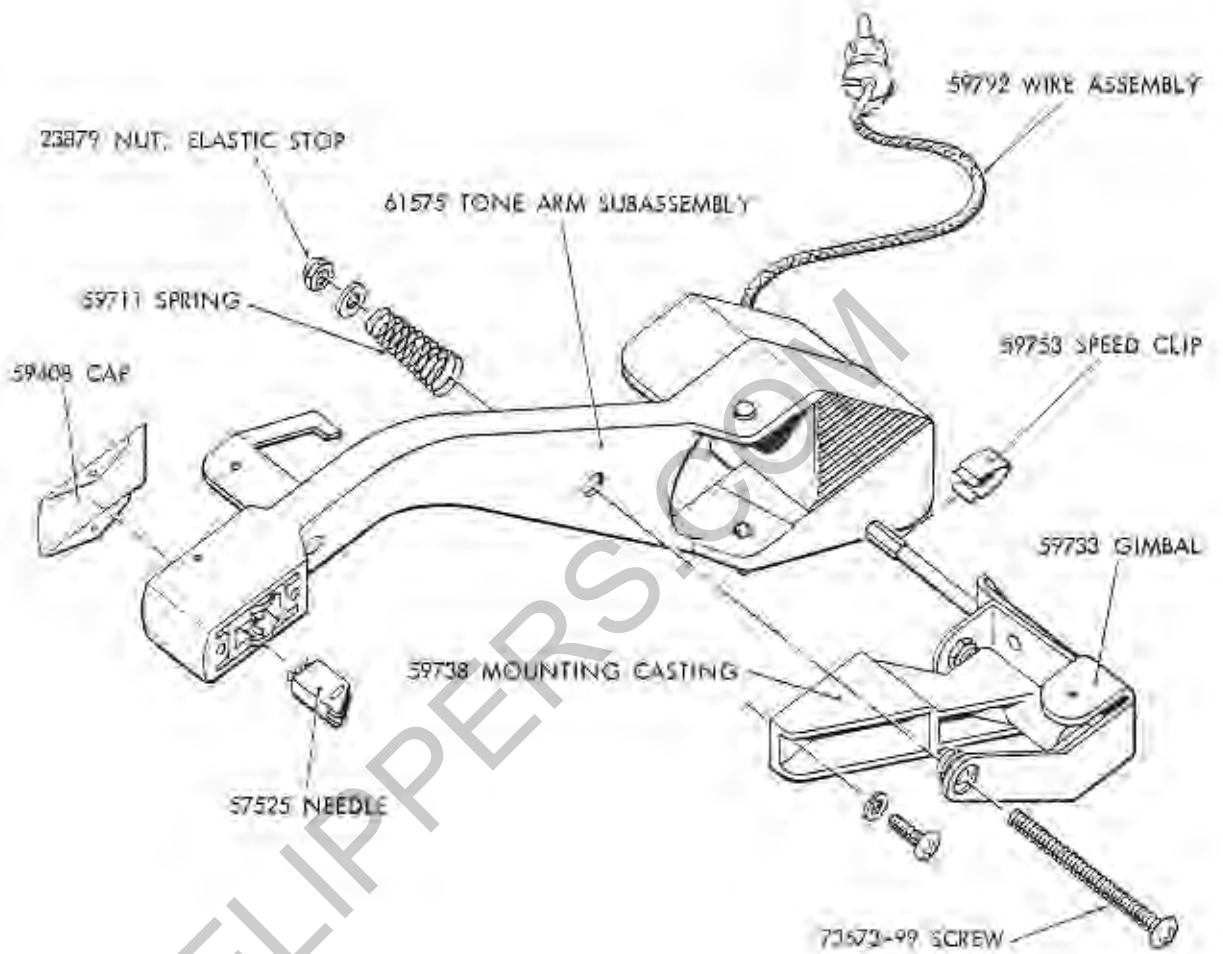
Selector Switch Assembly (Part 2)



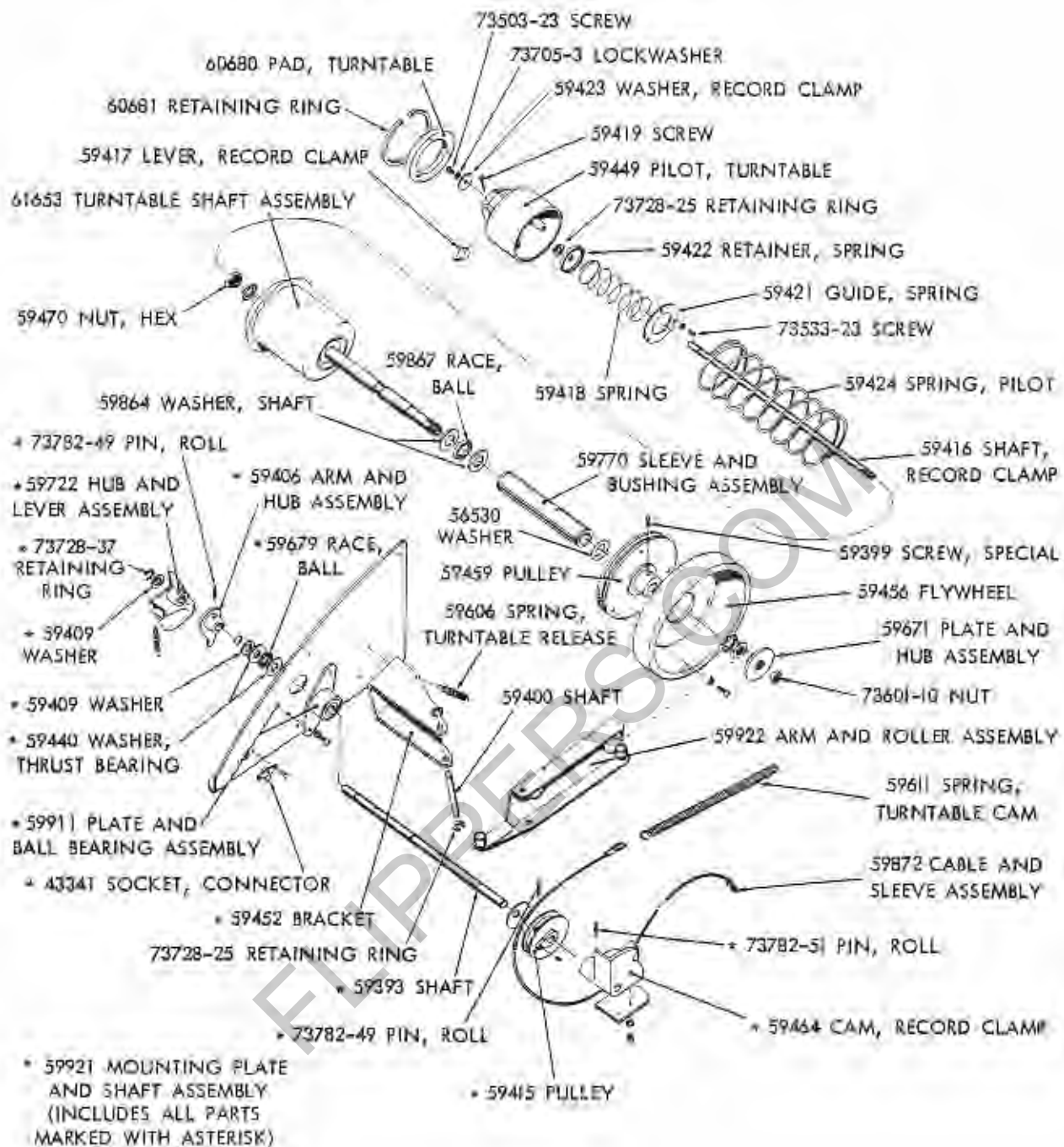
Top Support Casting Assembly



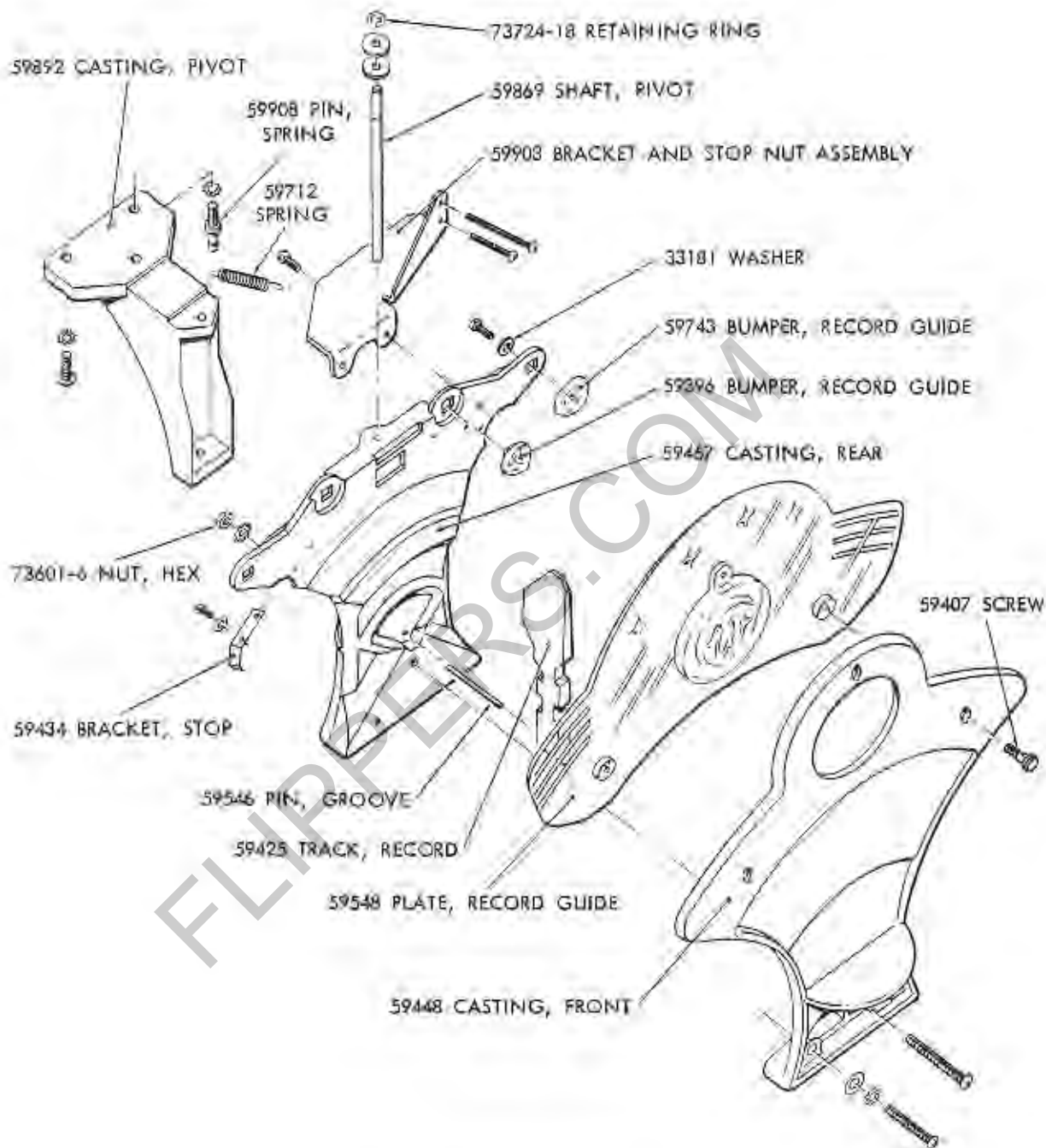
Turntable Motor and Gear and Shaft Assembly



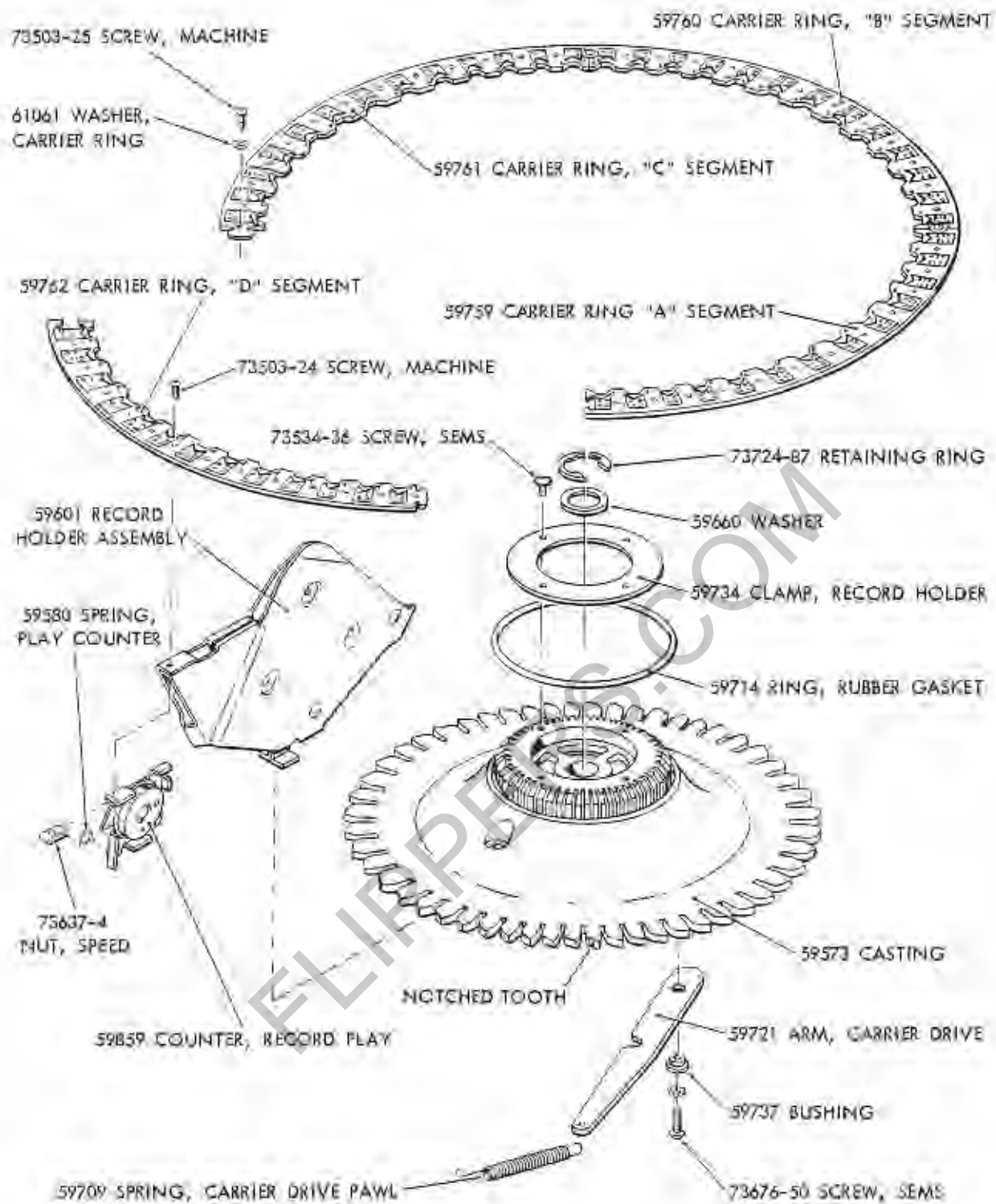
Tone Arm Assembly



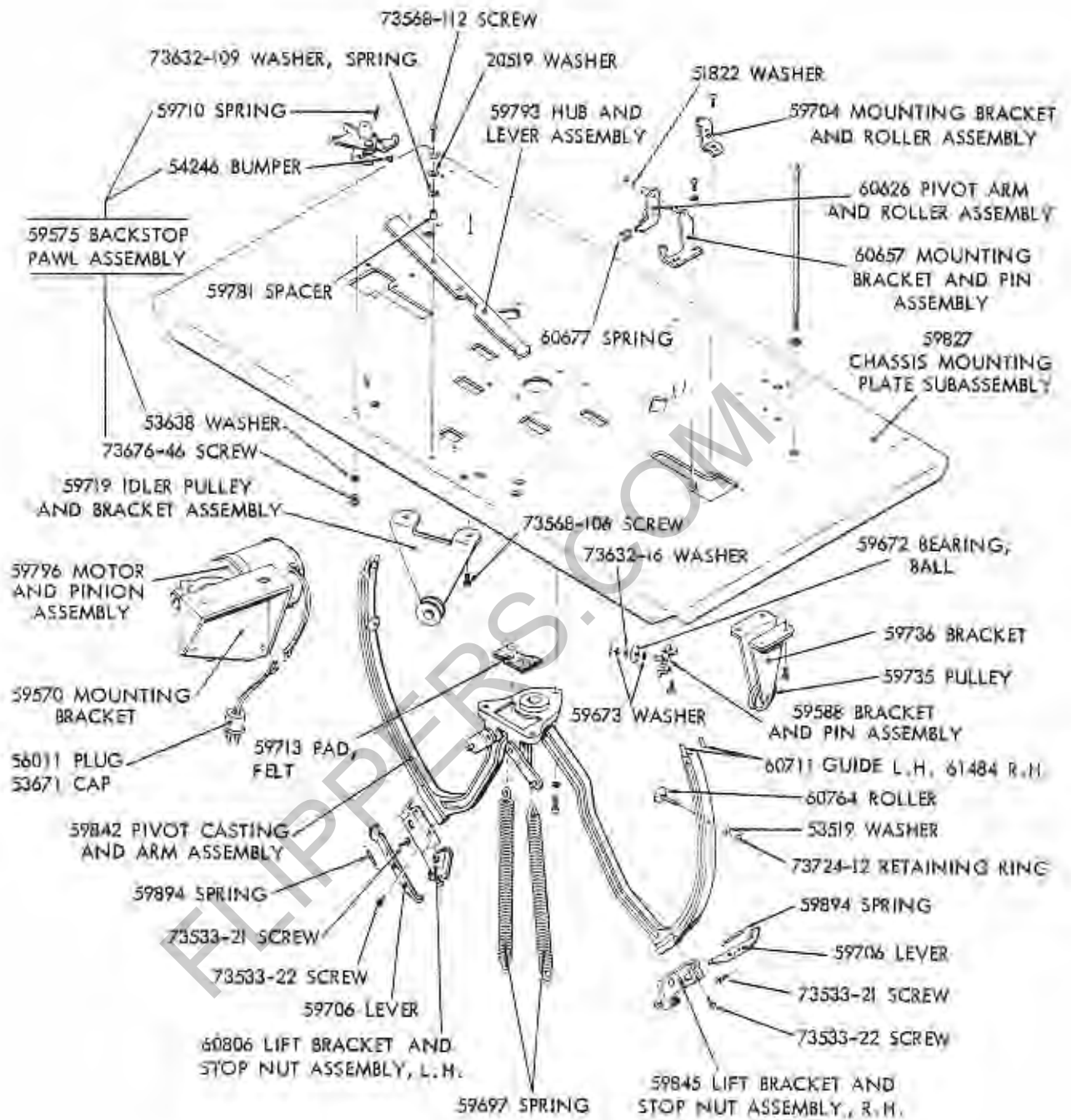
Turntable Shaft Assembly, Record Clamp Shaft, and Mounting Plate and Ball Bearing Assembly



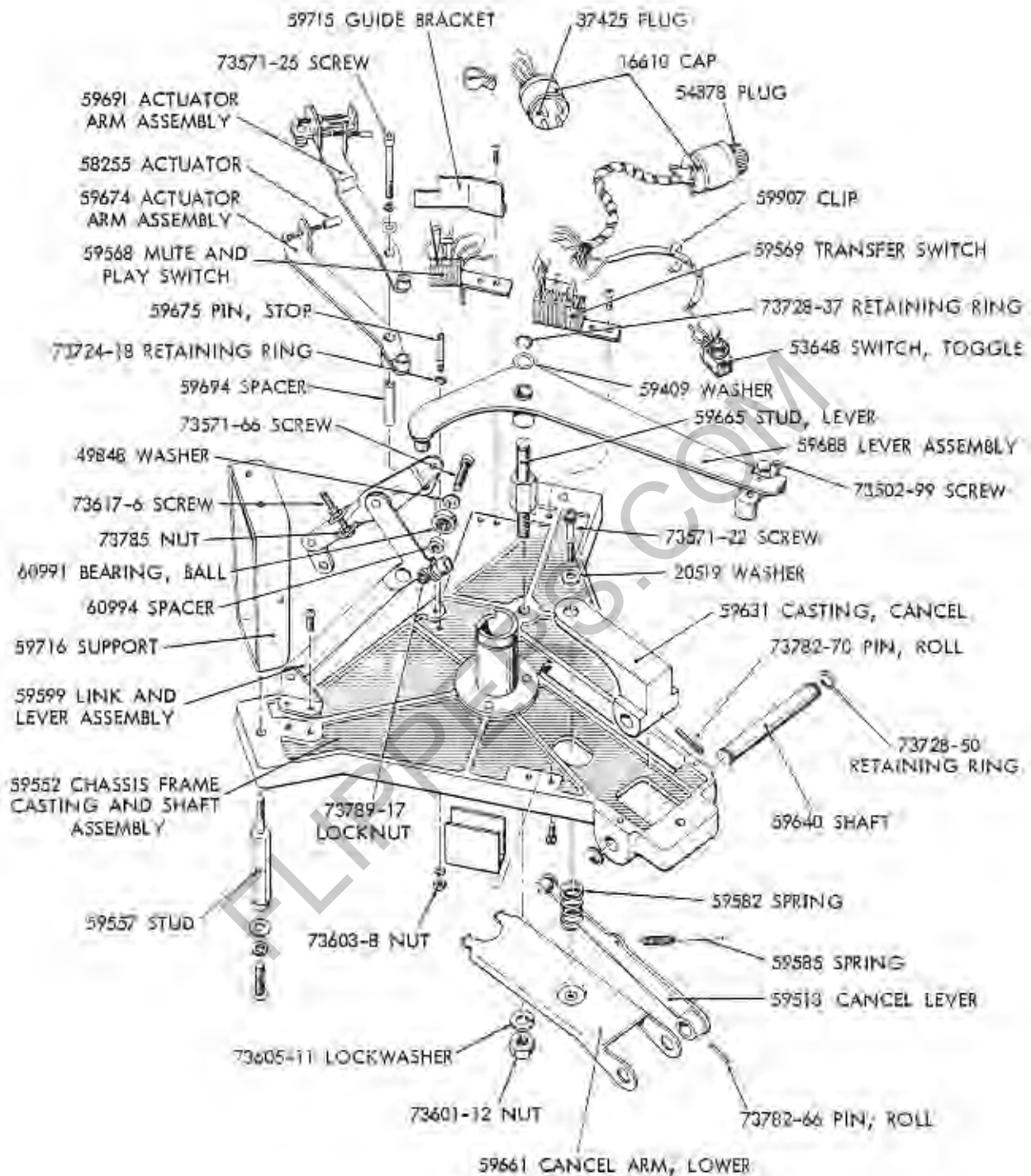
Record Guide Assembly



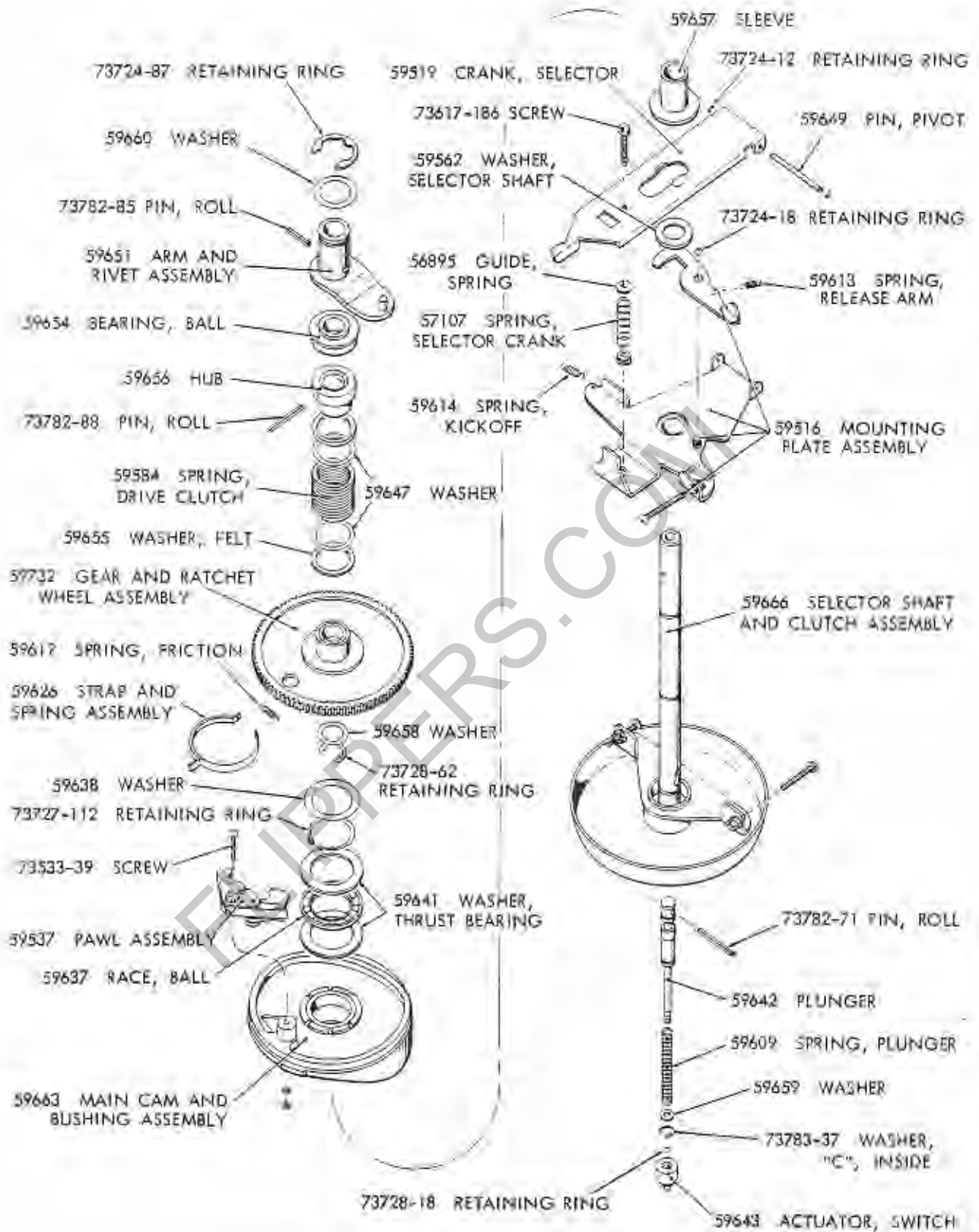
Record Carrier Assembly



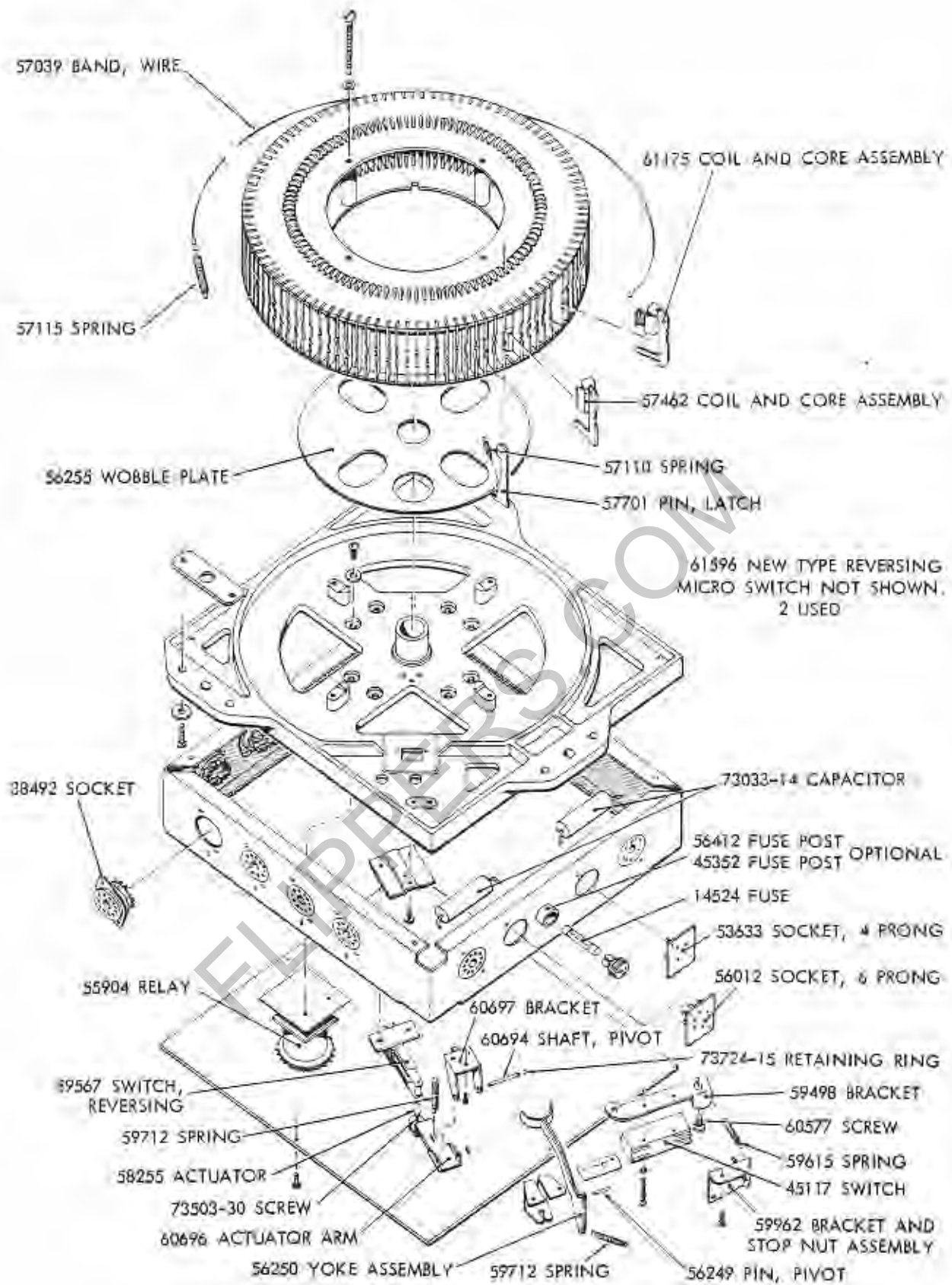
Chassis Mounting Plate and Pivot Casting and Arm Assembly



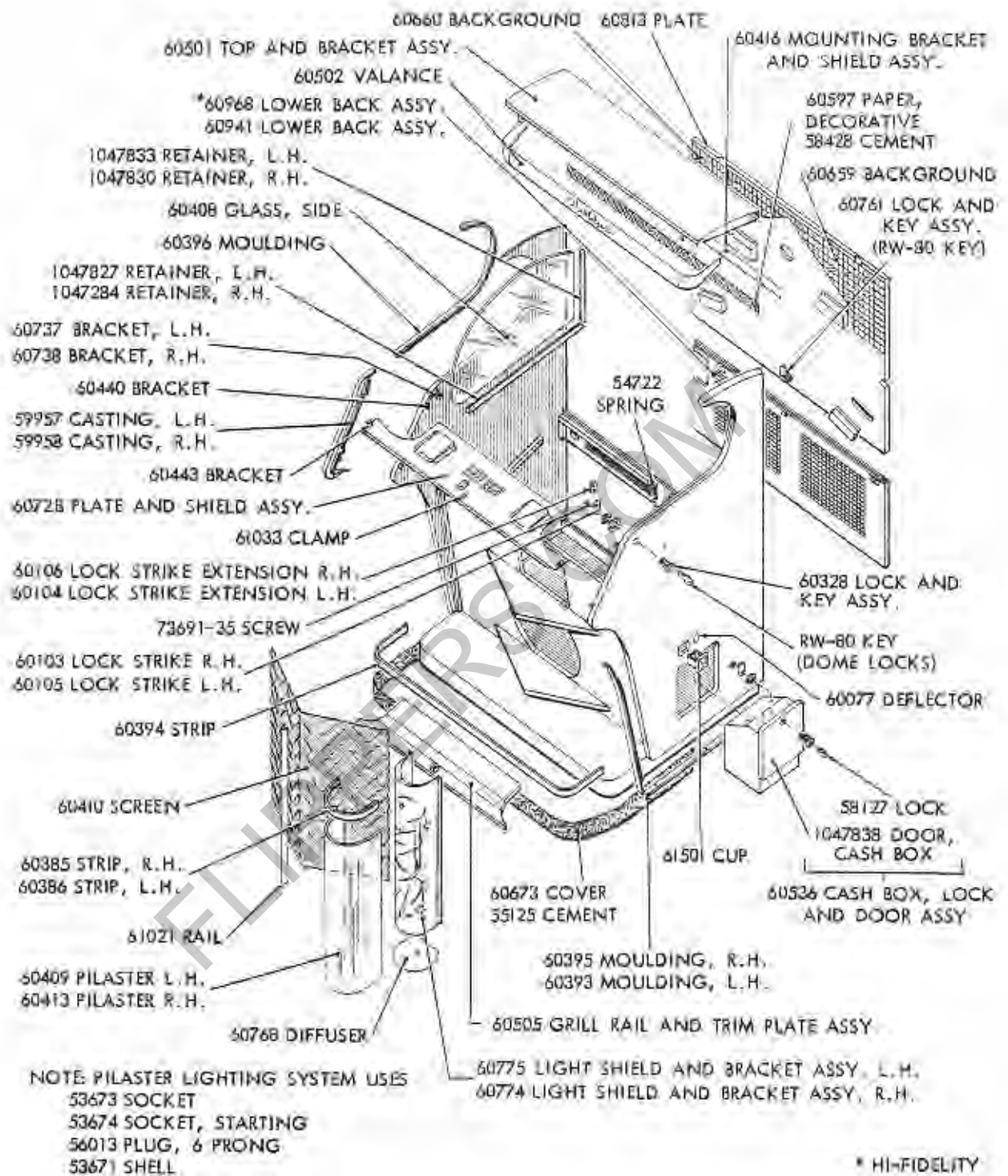
Chassis Frame Casting and Shaft Assembly



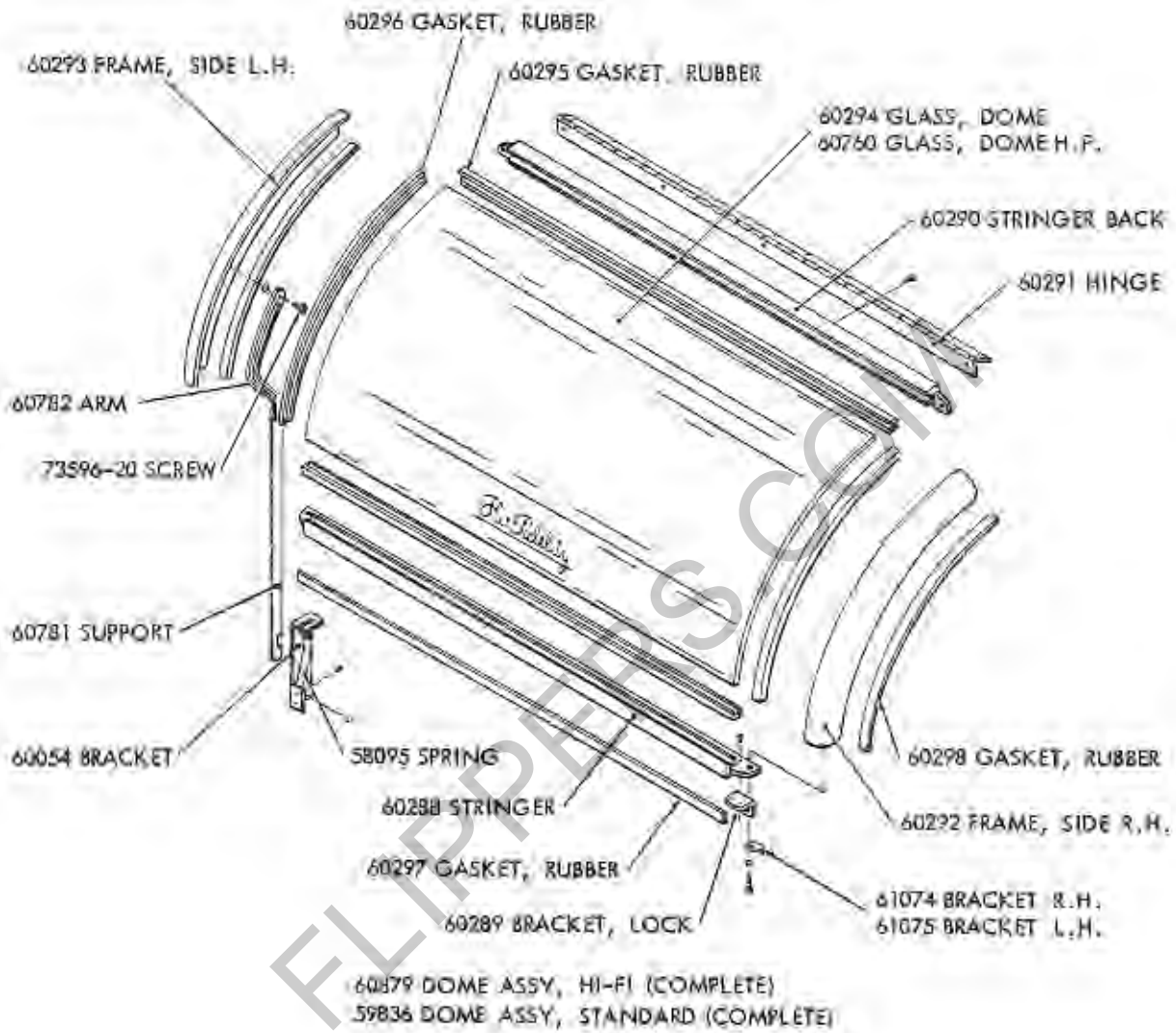
Selector Shaft Assembly and Main Cam and Bushing Assembly



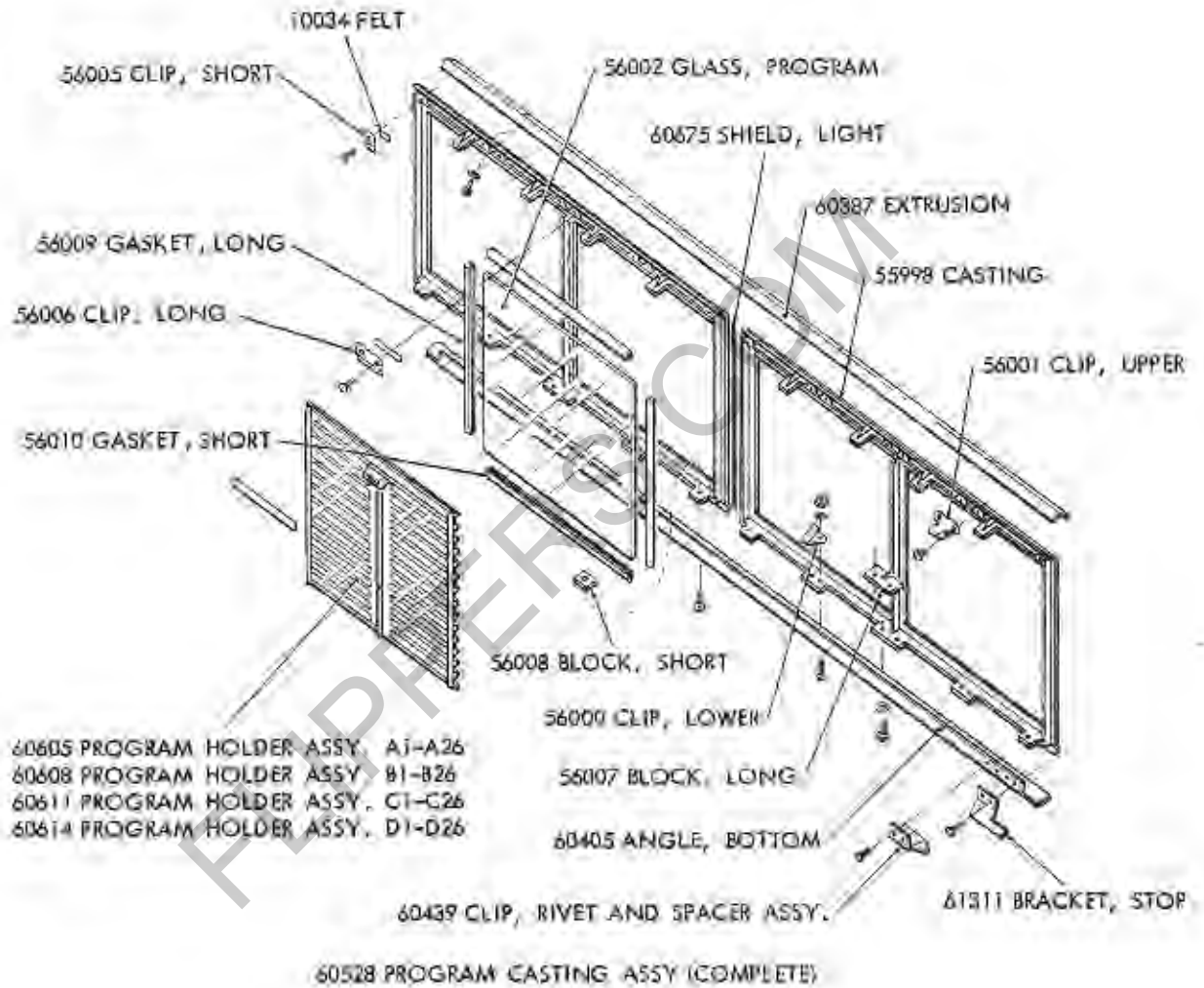
Electric Selector and Junction Box Assembly



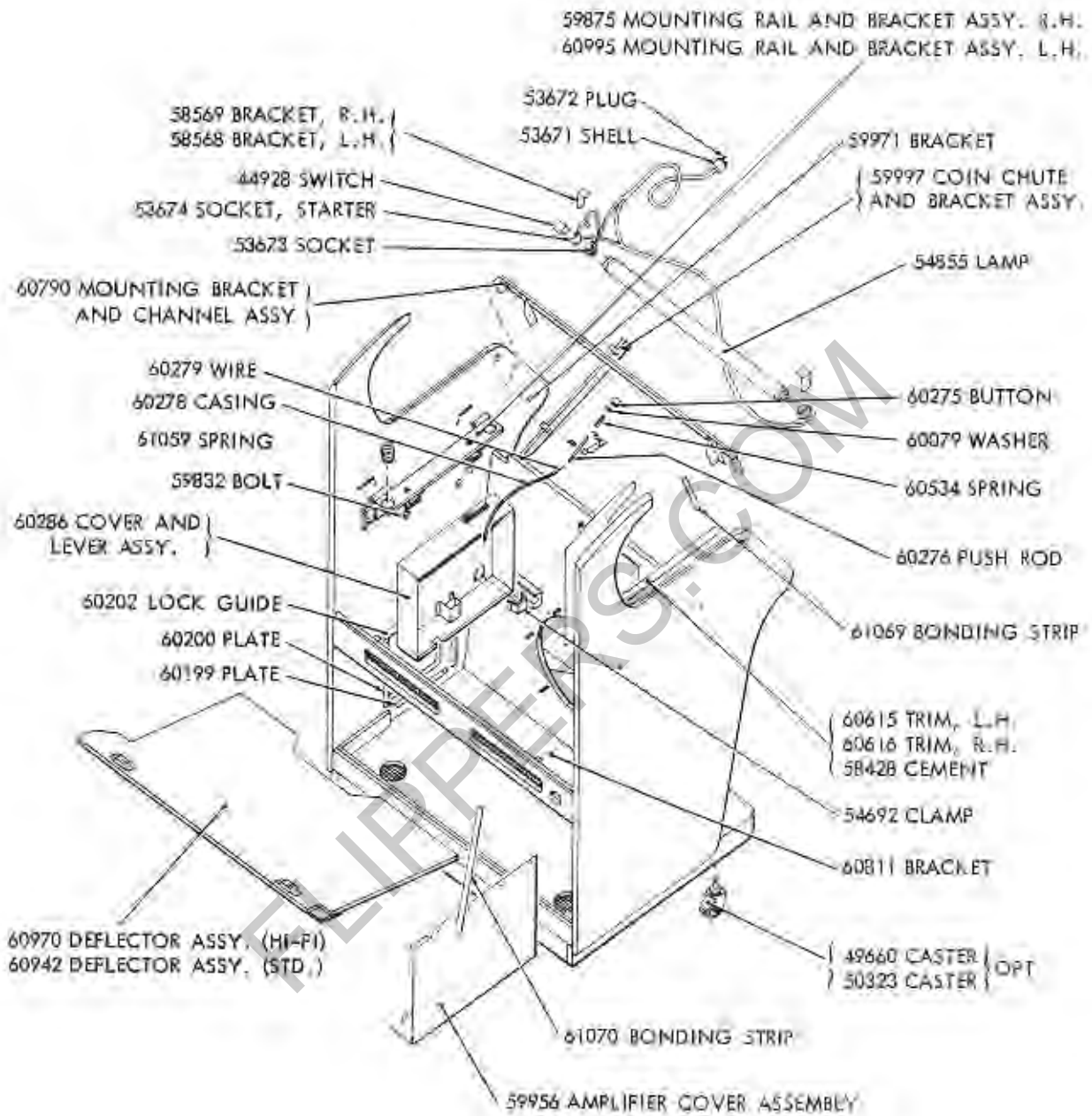
Cabinet Assembly and Trim - Front



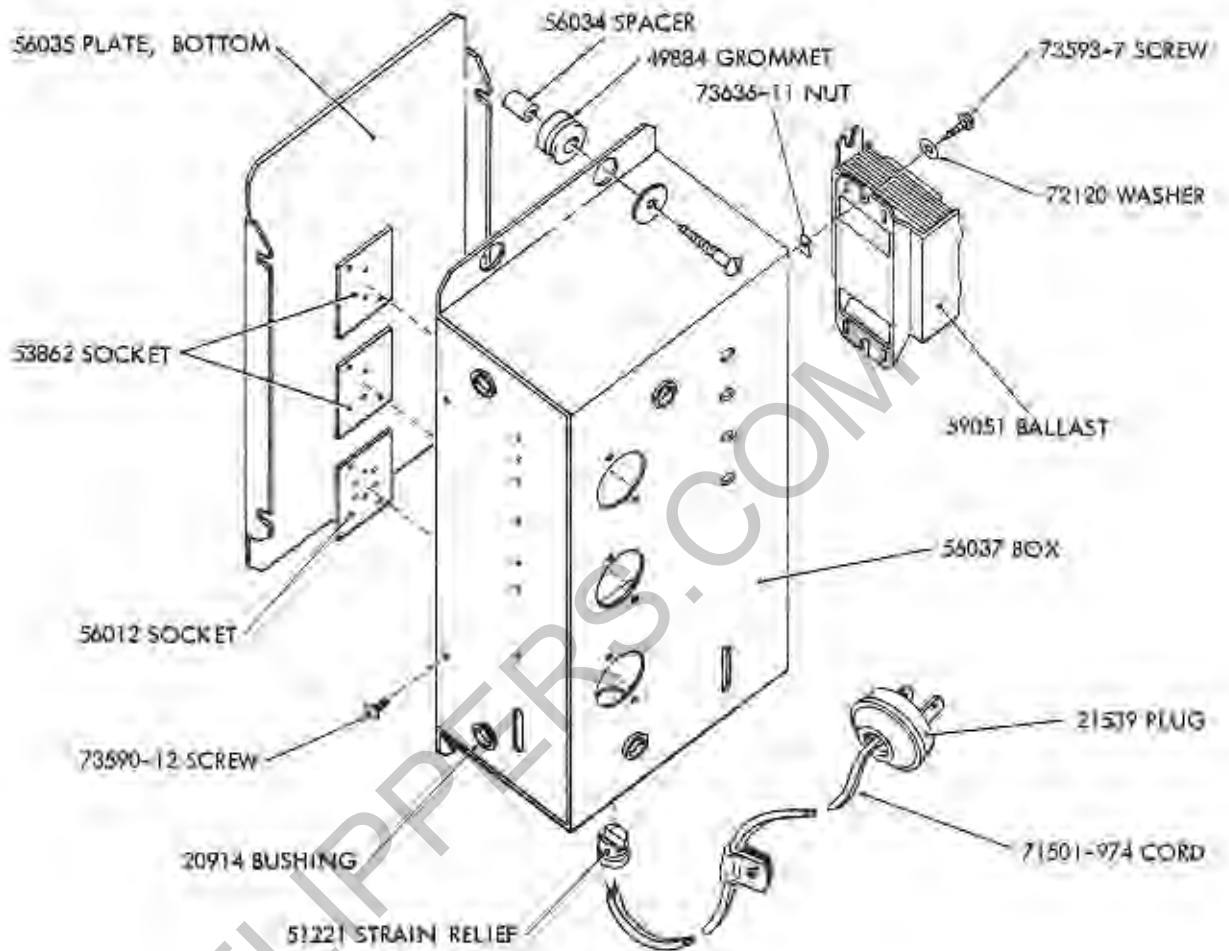
Dome Assembly



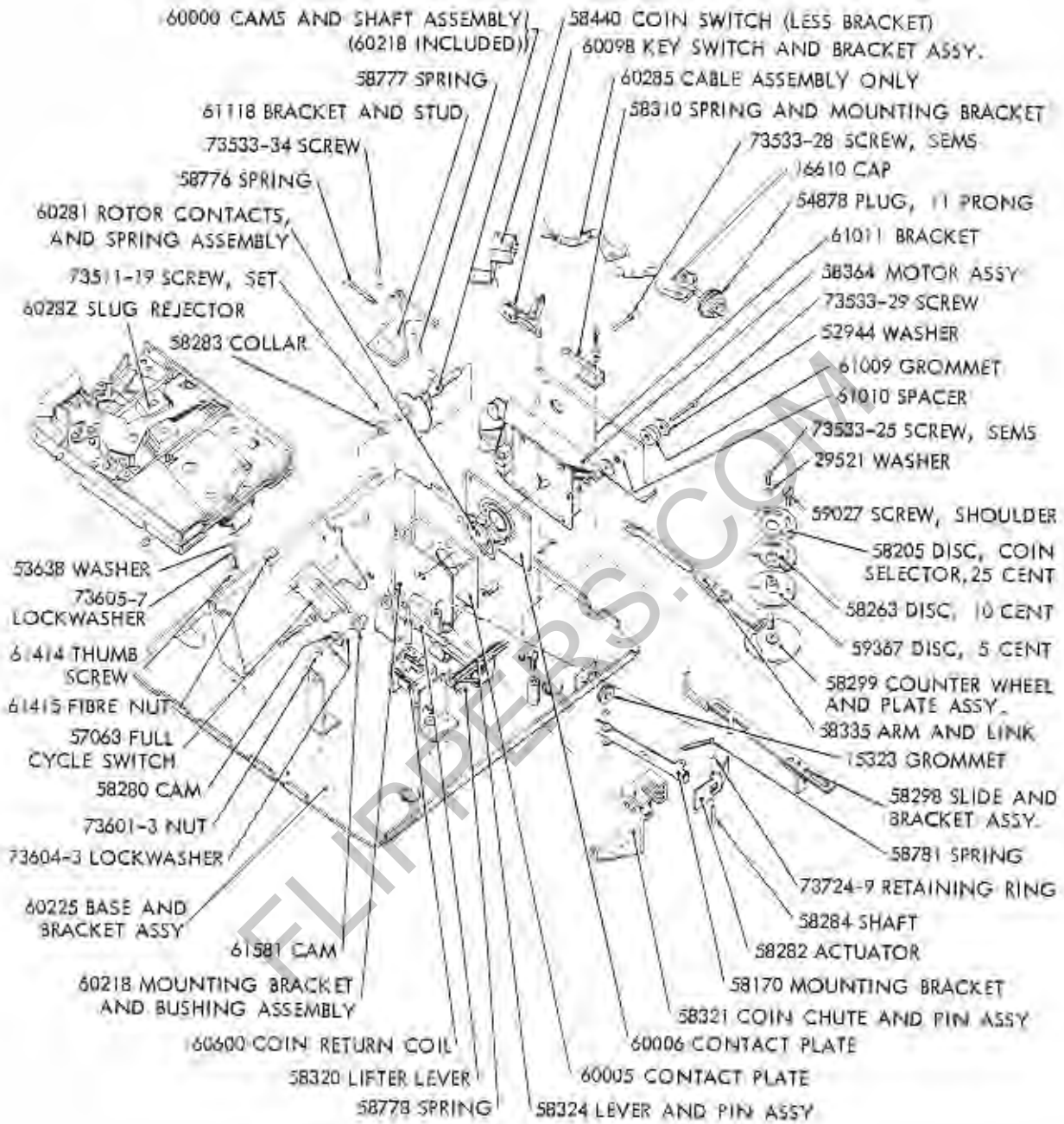
Program Casting Assembly



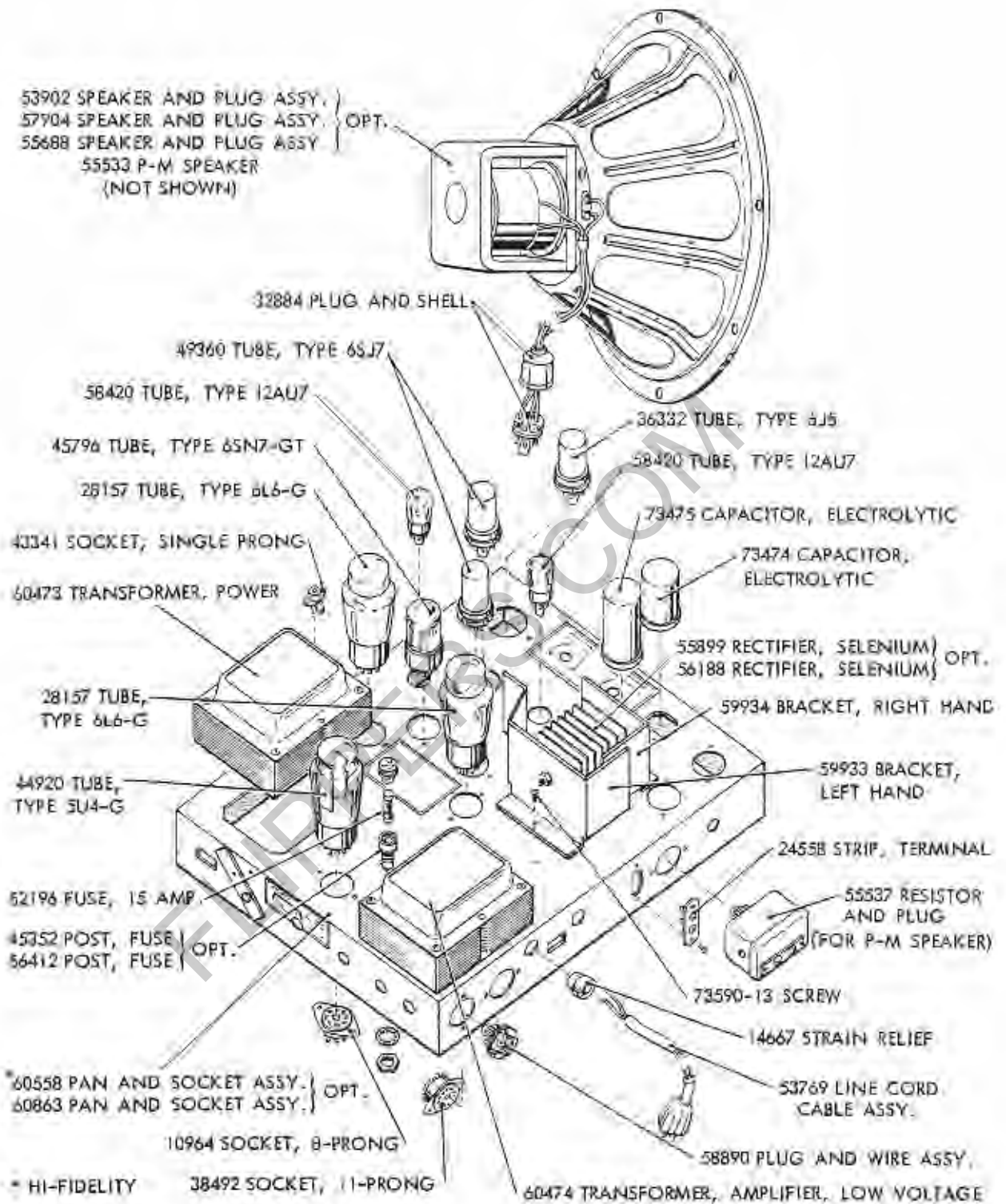
Cabinet Assembly and Trim - Back



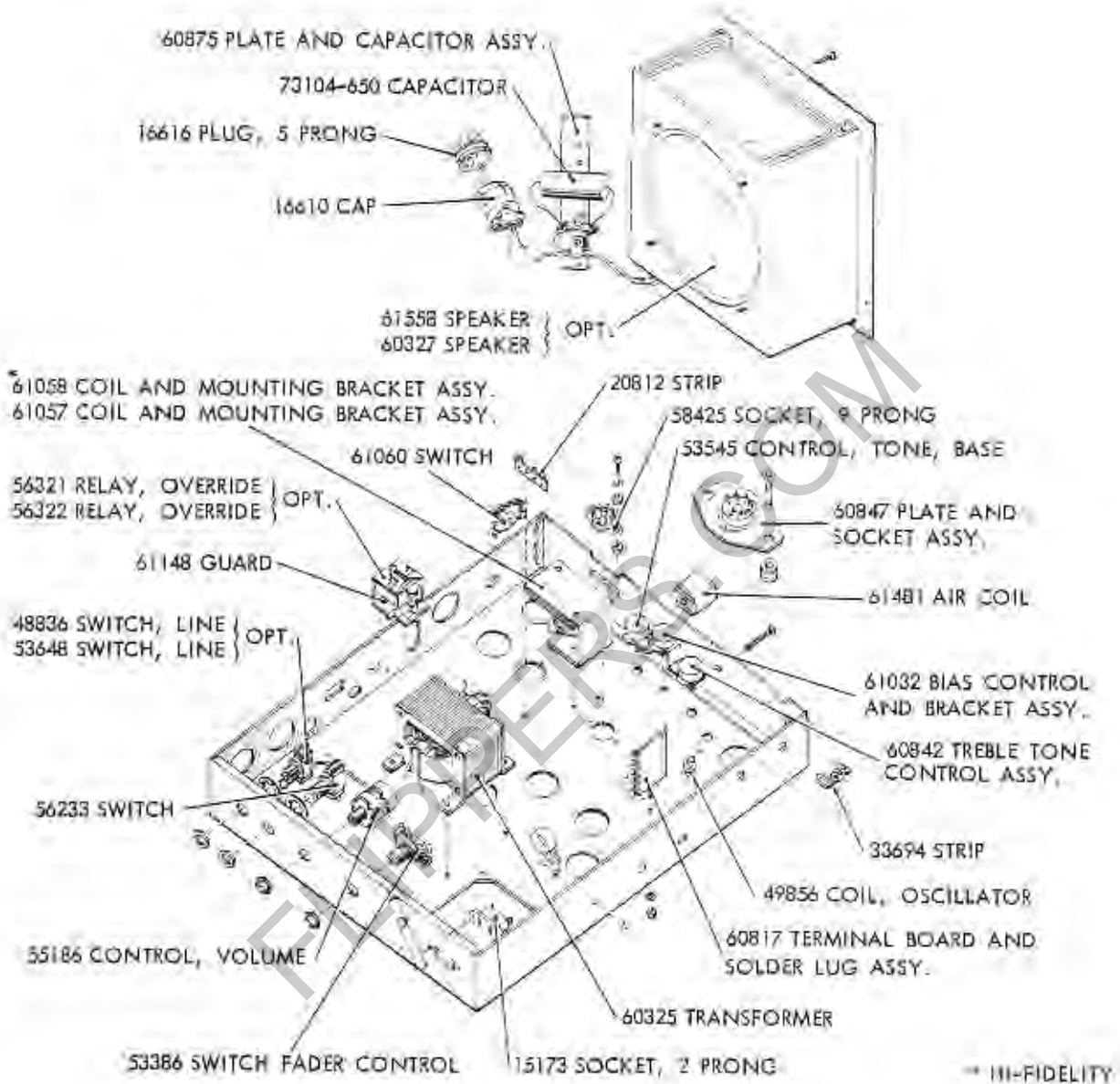
59838 Light Ballast Assembly



Coin Register Mechanism



Model 524 Amplifier - Top



Model 524 Amplifier - Bottom

Part No.	Description	Page No.	Part No.	Description	Page No.
56000	Clip, Spring, Lower, Program Holder	95	57791	Spacer, Upper, Selector Switch	82
56001	Clip, Spring, Upper, Program Holder	95	57851	Switch, Micro (Trip Switch)	83
56002	Glass, Program	95	57904	Speaker, 15-inch, Electro-Voice	99
56005	Clip, Program Window	95	58045	Bracket, Glass	81
56006	Clip, Program Window	95	58095	Spring, Fall Support	94
56007	Block, Program Window	95	58127	Lock and Key Assembly	93
56008	Block, Program Window	95	58170	Bracket, Mounting, Coin Switch Actuator	98
56009	Gasket, Window	95	58205	Disc, Coin Selector, 25¢	98
56010	Gasket, Window, Short	95	58255	Actuator, Contact Switch	90, 92
56011	Plug, 4-Prong	89	58263	Disc, Coin Selector, 10¢	98
56012	Socket, Type F-126, 6 Prong	92, 97	58280	Gam (Outer) Full Cycle Switch	98
56013	Plug, 6-Prong, Type M-61	83, 93	58282	Actuator, Coin Switch	98
56034	Spacer	97	58283	Collar	98
56035	Plate, Bottom, Ballast Box	97	58284	Shaft, Coin Switch Actuator	98
56037	Box, Mounting, Ballast	97	58298	Slide and Bracket Assembly	98
56188	Rectifier, Selenium (55899 Optional)	99	58299	Counter Wheel and Plate Assembly (Coin Reg. Mech)	98
56233	Switch, Cancel, Push Type	82, 100	58310	Spring and Mounting Bracket Assembly (Coin Reg. Mech)	98
56249	Pin, Pivot, Yoke	92	58320	Lifter Lever Assembly	98
56250	Yoke Assembly	92	58321	Coin Chute and Pin Assembly	98
56255	Wobble Plate	92	58324	Lever and Pin Assembly, Coin Selection	98
56321	Relay, Override, Guardian	100	58335	Arm and Link Assembly	98
56322	Relay, Override, R. B. M.	100	58364	Motor Assembly, Coin Register Mechanism	98
56412	Post, Fuse (45352 Optional)	92, 99	58420	Tube, Type 12 A17	99
56530	Washer, Thrust Bearing, .444 in. I. D.	86	58425	Socket, 9-Prong	100
56571	Lever, Trip, Switch Interlock	82	58428	Cement	93, 96
56604	Pin, Solenoid Shaft	82	58440	Switch, Coin, Less Bracket	98
56608	Link, Solenoid Connection	82	58568	Bracket, L.H., Program Channel Support	96
56628	Bracket, Stop, Switch Interlock	82	58569	Bracket, R. H.	96
56653	Link and Hub Assembly	82	58776	Spring, Coin Counter Return	98
56654	Link and Hub Assembly	82	58777	Spring, Coin Counter Lever	98
56669	Pawl and Stub Assembly, Switch Interlock	82	58778	Spring, Coin Selector	98
56708	Shaft, Switch Interlock	82	58781	Spring, Cancel, Coin Register Mech	98
56712	Pawl, Spring Stud and Spacer Assembly, Switch Interlock	82	58890	Plug and Wire Assembly	99
56713	Release Lever, Stud and Spacer Assembly, Switch Interlock	82	59027	Screw, Shoulder, Coin Selector	98
56714	Lever, Trip, Stud and Spacer Assembly	82	59051	Ballast	97
56773	Washer, Dulite	82	59367	Disc, Coin Selector, 5¢	98
56895	Guide, Spring, Selector Crank	91	59393	Shaft, Tone Arm	86
57020	Solenoid, Switch Interlock	82	59396	Bumper, Record Guide	87
57039	Band, Wire, Electric Selector	92	59397	Pin, Tone Arm Stop	88
57063	Switch, Micro (Full Cycle Switch)	98	59399	Screw, Special, No. 8-32 N.C. - 2 thd	86
57107	Spring, Selector Crank	91	59400	Shaft, Turntable Release	86
57110	Spring, Selector Coil	92	59402	Pin, Pivot, Tone Arm Release	83
57115	Spring, Selector Coil Retainer	92	59405	Shaft, Tone Arm Brush	83
57128	Spring, Letter Latch, Selector Switch Assembly	82	59406	Arm and Hub Assembly, Tone Arm Release	86
57129	Spring, Number Latch, Selector Switch Assembly	82	59407	Screw, Winged Neck, No. 6-32 N.F. 2 thread	87
57130	Spring, Solenoid Return	82	59408	Cap, Tone Arm	85
57275	Pin, Taper	82	58409	Washer, Plain, 3/8-inch	86, 90
57462	Coil & Core Assembly, Selector	92	59411	Bushing, Trip Switch	83
57525	Needle (All Green)	85	59415	Pulley, Pressure Pad	86
57701	Pin, Latch, Selector	92	59416	Shaft, Record Clamp	86
58045	Bracket, Glass	81	59417	Lever, Record Clamp	86
57790	Spacer, Lower, Selector Switch	82	59418	Spring, Record Clamp	86

Part No.	Description	Page No.	Part No.	Description	Page No.
59419	Screw, Lever, Record Clamp	86	59610	Spring, Tone Arm Return	83
59421	Guide, Spring, Record Clamp	86	59611	Spring, Turntable Cam	86
59422	Retainer, Spring, Record Clamp	86	59612	Spring, Friction Drive Gear	91
59423	Washer, Shaft, Record Clamp, .187 inch I. D.	86	59613	Spring, Release Arm	91
59424	Spring, Pilot, Record Clamp	86	59614	Spring, Kickoff	91
59425	Track, Record	87	59615	Spring, Override and Trip Switch	83
59431	Insulator, Trip Switch	83	59621	Pinion, Changer Motor	N/S
59434	Bracket, Stop, Track	87	59626	Strip and Spring Assembly, Friction Drive Pawl	91
59440	Washer, Thrust Bearing	86	59631	Casting, Cancel	90
59448	Casting, Record Guide, Front	87	59637	Race, Ball, Main Cam Shaft	91
59449	Pilot, Turntable	86	59638	Washer, Main Cam Shaft, 1.128 inch I. D.	91
59452	Bracket, Pivot	86	59640	Shaft, Cancel Arm	90
59456	Flywheel, Turntable	86	59641	Washer, Thrust Bearing, Main Cam	91
59459	Pulley, Turntable	86	59642	Plunger, Motor Reversing Switch	91
59464	Cam, Record Clamp	86	59643	Actuator, Reversing Switch	91
59467	Casting, Record Guide, Rear	87	59647	Washer, .941 inch I. D.	91
59470	Nut, Hex, Turntable Shaft, N. F. Tap 7/16-20	86	59649	Pin, Pivot, Cancel Crank	91
59483	Hub and Lever Assembly, Tone Arm Brush	83	59651	Arm and Rivet Assembly (On end of selector shaft)	91
59498	Bracket, Switch Mounting, Override Switch	92	59654	Bearing, Ball, Selector Shaft	91
59513	Lever, Cancel, Hub and Roller Assembly	90	59655	Washer, Felt (oil retainer - red)	91
59516	Mounting Plate Assembly, Selector	91	59656	Hub, Selector Drive Clutch	91
59519	Crank, Selector	91	59657	Sleeve, Cancel Arm	91
59537	Pawl Assembly	91	59658	Washer, Gear Hatchet Drive, .625 inch I. D.	91
59546	Pin, Groove, Track	87	59659	Washer, Plunger Shaft	91
59548	Plate, Record Guide	87	59660	Washer, Carrier, .875 I. D.	88, 91
59552	Chassis Frame Casting and Shaft Assembly	90	59661	Lower Cancel Arm Assembly	90
59557	Stud, Mounting, Selector	90	59663	Main Cam and Bushing Assembly	91
59562	Washer, Selector Shaft	91	59665	Stud, Pressure Pad Lever	90
59567	Switch, Reversing (Also see No. 61396)	92	59666	Selector Shaft and Clutch Assembly Includes:	91
59567-A	Modification Parts, Reversing Switch	N/S		Arm and Hub Assembly -59651	
59568	Mute and Play Switch and Bracket Assembly	90		Hub ————— 59656	
59568-1	Spring, Toggle, Mute and Play Switch (Also used on Transfer Switch)	N/S		Adjusting Bracket and Stop Nut Assembly — 59521	
59569	Transfer Switch and Bracket Assembly	90	59671	Plate and Hub Assembly, Record Clamp	86
59570	Bracket, Mounting, Motor	89	59672	Bearing, Ball, 1/4 in. x 7/8 in. dia. — 12 balls	89
59573	Casting, Record Holder	88	59673	Washer, Carrier Rollers, .255 in. I. D.	89
59575	Backstop Pawl Assembly	89	59674	Actuator Arm Assembly, Mute and Play Switch	90
59580	Spring, Torsion, Record Play Counter	88	59675	Pin, Stop, Mute and Play Switch Arm	90
59582	Spring, Cancel Arms	90	59679	Race, Ball, Tone Arm Shaft	86
59583	Arm, Micro Switch	83	59688	Record Clamp Lever Assembly	90
59584	Spring, Selector Drive Clutch	91	59691	Actuator Arm Assembly, Transfer Switch	90
59585	Spring, Cancel Lever	90	59694	Spacer, Switch Actuator Arm	90
59588	Bracket and Pin Assembly	89	59697	Spring, Record Arm Lifter	89
59599	Link and Lever Assembly, Record Arm	90	59704	Mounting Bracket and Roller Assembly	89
59601	Record Holder Assembly	88	59706	Lever, Record Player Counter	89
59606	Spring, Turntable Release	86	59709	Spring, Carrier Drive Pawl	88
59607	Spring, Tone Arm Brush	88	59710	Spring, Back Stop	89
59609	Spring, Selector Shaft Plunger	91	59711	Spring, Tone Arm Pressure	85

Part No.	Description	Page No.	Part No.	Description	Page No.
59712	Spring, Selector Override Switch; also Pivot Casting, Record Guide Assembly	87, 92	59900	Insulator, Safety Switch	88
59713	Pad, Felt, Pivot Casting	89	59903	Bracket and Stop Nut Assembly, Safety Switch	87
59714	Ring, Rubber Gasket	88	59907	Clip, Cable	90
59715	Bracket, Guide, Switch Arms	90	59908	Pin, Spring, Pivot Casting	87
59716	Support, Chassis Frame	90	59911	Plate and Ball Bearing Assembly	86
59717	Idle Pulley and Bracket Assembly	83	59914	Support Casting and Bushing Assembly	83
59719	Idle Pulley and Bracket Assembly	89	59921	Mounting Plate and Shaft Assembly	86
59721	Arm, Carrier Drive	88	59922	Arm and Roller Assembly	86
59722	Hub and Lever Assembly, Tone Arm Release	86	59933	Bracket, Rectifier, Left Hand	99
59732	Gear and Ratchet Wheel Assembly	91	59934	Bracket, Rectifier, Right Hand	99
59733	Gimbal and Stop Nut Assembly	85	59956	Cover Assembly, Amplifier Chassis Pan	96
59734	Clamp, Record Holder	88	59957	Casting, Cheek, Left Hand	93
59735	Pulley, Idler	89	59958	Casting, Cheek, Right Hand	93
59736	Bracket, Mounting, Idler Pulley	89	59962	Bracket and Stop Nut Assembly	92
59737	Bushing, Carrier Drive Pawl	88	59971	Bracket, Coin Chute	96
59738	Mounting Casting and Pin Assembly	85	59997	Coin Chute and Bracket Assembly	96
59743	Bumper, Record Guide	87	60000	Cams and Shaft Assembly, Coin Mechanism (60218 Mounting Bracket Included)	98
59753	Clip, Speed	85	60005	Contact Plate Assembly, Coin Register Mechanism	98
59759	Carrier Ring and Silk Screen Assembly, A1 to A26	88	60006	Contact Plate Assembly, Coin Register Mechanism	98
59760	Carrier Ring and Silk Screen Assembly, B1 to B26	88	60054	Bracket, Full Support	94
59761	Carrier Ring and Silk Screen Assembly, C1 to C26	88	60077	Deflector, Coin Return Cup	93
59762	Carrier Ring and Silk Screen Assembly, D1 to D26	88	60079	Washer, Reject Button	96
59770	Sleeve and Bushing Assembly, Turntable	86	60098	Key Switch and Bracket Assembly	98
59775	Pivot and Spring Clip Assembly, Tone Arm Release	83	60103	Strike, Lock, Right Hand, Dome Extension, Lock Strike, Left Hand, Dome	93
59782	Lever and Stop Nut Assembly, Tone Arm Release	83	60105	Strike, Lock, Left Hand, Dome	93
59783	Bracket and Stop Nut Assembly, Tone Arm Release	83	60106	Extension, Lock Strike, Right Hand, Dome	93
59792	Wire Assembly, Tone Arm	85	60199	Plate, Mounting, Cash Box (Horizontal)	96
59793	Hub and Lever Assembly, Service Switch	80	60200	Plate, Mounting, Cash Box (Vertical)	96
59796	Motor and Pinion Assembly	89	60202	Guide, Lock, Cash Box	96
59827	Chassis Mounting Plate Assembly	89	60213	Mounting Bracket and Bushing Assembly (Coin Register Mechanism)	98
59832	Bolt, Wing Head	96	60225	Base and Bracket Assembly (Coin Register Mechanism)	98
59836	Dome Assembly, Standard	94	60275	Reject Button Assembly	81, 96
59838	Light Ballast Assembly	97	60276	Rod, Push, Reject, Coin Mechanism	96
59841	Selector Drum Assembly	92	60278	Casing, Flexible Cable, Coin Return	96
59842	Pivot Casting and Arm Assembly	89	60279	Wire, Inner, Flexible Cable, Coin Return	96
59845	Lift Bracket and Stop Nut Assembly, Right Hand	89	60281	Rotor Contacts, Coupling, In- sulator and Spring Assembly, Coin Mechanism	98
59859	Counter, Record Play	88	60282	Slug Rejector	98
59864	Washer, Turntable Shaft, 1/2-inch	86	60285	Cable Assembly Only	98
59867	Race, Ball, Turntable Shaft	86	60286	Cover and Lever Assembly	96
59869	Shaft, Record Guide Pivot	87	60288	Stringer, Front Dome	94
59872	Cable and Sleeve Assembly	86	60289	Bracket, Dome Lock	94
59875	Mounting Rail and Bracket As- sembly, Right Hand, Chassis Mounting Plate	96			
59888	Cable, Brush, Tone Arm	83			
59892	Casting, Pivot, Record Guide	87			
59894	Spring, Playmeter Actuating Arm	89			

Part No.	Description	Page No.	Part No.	Description	Page No.
60290	Stringer, Back Dome	94	60478	Hing, Retaining, Self Locking	81
60291	Hinge, Dome	94	60487	Selector Casting Assembly	81
60292	Frame, Side, Right Hand, Dome	94	60488	Decal and Number Strip Assembly (1 to 13)	81
60293	Frame, Side, Left Hand, Dome	94	60491	Decal and Number Strip Assembly (14 to 26)	81
60294	Dome, Glass, Standard	94	60493	Decal and Instruction Plate Assembly	81
60295	Gasket, Rubber, Front and Rear Dome Glass	94	60496	Decal and Instruction Plate Assembly (Select)	81
60296	Gasket, Rubber, Sides, Dome Glass	94	60499	Decal and Coin Escutcheon Plate Assembly (5¢, 10¢ and 25¢)	81
60297	Gasket, Rubber, Front Dome	94	60501	Top and Bracket Assembly	93
60298	Gasket, Rubber, Side Glass, Dome	94	60502	Valance	93
60325	Transformer, Output (Hi-Fi)	100	60505	Grille Trim Plate Assembly, Bottom	93
60327	Speaker, Six-Inch, Extended Range, (Tweeter)	100	60511	Spacer, Selector Switch Link	81
60328	Lock and Key Assembly (RW-30 Key)	93	60528	Program Casting Assembly (Complete) (Program Holders must be ordered separately)	95
60375	Switch, Reset	81	60534	Spring, Reject Button	96
60385	Strip, Trim, Pilaster Upper Right Hand	93	60536	Cash Box, Lock and Door Assembly	93
60386	Strip, Trim, Pilaster Upper Left Hand	93	60558	Pan and Socket Assembly (High Fidelity)	99
60387	Extrusion, Top, Program Holder	95	60572	Screw, Shoulder, Override Switch, 8-32NC-2 Thread	92
60393	Moulding, Trim, L.H. Lower Section	93	60597	Paper, Decorative, Dome	93
60394	Strip, Trim Strip, Pilaster Lower	93	60598	Cover, Black Camper, Support Casting (Not Shown)	83
60395	Moulding, Trim, R.H., Lower Section	93	60600	Coil, Coin Return	98
60396	Moulding, Trim, Upper Side	93	60601	Button, Selector	81
60398	Switch, Selector, Selection Figures	81	60605	Program Holder Assembly (A1-A26)	95
60400	Button, Selector (D)	81	60608	Program Holder Assembly (B1-B26)	95
60401	Button, Selector (C)	81	60611	Program Holder Assembly (C1-C26)	95
60402	Button, Selector (B)	81	60614	Program Holder Assembly (D1-D26)	95
60403	Button, Selector (A)	81	60615	Trim, Paper, Left Hand	96
60405	Angle, Bottom, Program Holder	95	60616	Trim, Paper, Right Hand	96
60408	Glass, Side	93	60626	Pivot Arm and Roller Assembly	89
60410	Screen, Grille	93	60655	Switch, Micro (Safety Switch)	83
60413	Pilaster, Right Hand	93	60656	Bracket, Mounting, Decorative Shelf	N/S
60416	Mounting Bracket and Shield Assembly, Dome, Rear	93	60657	Mounting Bracket and Pin Assembly	89
60418	Strip, Clamp, Plastic, Selector Casting	81	60659	Background, Upper Back, Right Hand	93
60419	Mounting Plate, Bushing and Strip Assembly, Switch Interlock	82	60660	Background, Upper Back, Left Hand	93
60420	Link, Selector Switch	81	60673	Cover, Base	93
60439	Clip, Rivet, and Spacer Assembly, Program Holder	95	60675	Shield, Light, Program Holder	95
60440	Bracket, Mounting, Cheek Casting	93	60677	Spring, Roller Arm	89
60443	Bracket, Mounting, Grille Top, Plate	93	60680	Pad, Turntable	86
60447	Plate, Selector Switch	81	60681	Ring, Retaining, Pilot, Turntable	86
60448	Bracket, Mounting, Reset Switch	81	60694	Shaft, Pivot, Reversing Switch	92
60449	Link, Selector Switch	81	60696	Actuator Arm (Reversing Switch)	92
60451	Bracket, Solenoid, Switch Interlock	82	60697	Bracket, Pivot, Arm, Reversing Switch	92
60453	Lever and Hub Assembly, Switch Interlock	82	60709	Selector Switch and Jumper Wire Assembly	81
60473	Transformer, Power	99	60711	Guide, Record Actuator Arm, Left Hand	89
60474	Transformer, 117 volt, 60 cycle	99	60717	Solenoid, Switch Interlock	82

Part No.	Description	Page No.	Part No.	Description	Page No.
60726	Bracket, Mounting, Electric Counter	82	60964	Bracket and Socket Assembly	82
60728	Plate and Shield Assembly, Grille Top	93	60968	Lower Back Assembly, High Fidelity	93
60732	Lift Arm and Silk Screen Assembly, Right Hand	83	60970	Deflector Assembly (High Fidelity)	96
60733	Lift Arm and Silk Screen Assembly, Left Hand	83	60991	Bearing, Ball	90
60734	Shaft, Pivot, Record Playing Plate	83	60994	Spacer, Link	90
60735	Lever, Lift, Record Playing Plate	83	60995	Mounting Rail and Bracket Assembly, Left Hand, Chassis Mounting Plate	96
60736	Cover, Record Playing Plate	83	61009	Grommet, Rubber	98
60737	Bracket, Stop, Left Hand, Dome	93	61010	Spacer	98
60738	Bracket, Stop, Right Hand, Dome	93	61011	Bracket, Motor Mounting	98
60761	Lock and Key Assembly, Back Door (RW-80 Key)	93	61021	Rail, Grille	93
60764	Roller, Record Actuator Arm	89	61032	Uas Control and Bracket Assembly	100
60768	Diffuser, Bottom, Pilaster	93	61033	Clamp, Grille Rail	93
60774	Light Shield and Bracket Assembly, Pilaster, Right Hand	93	61057	Coil and Mounting Bracket Assembly (Standard)	100
60775	Light Shield and Bracket Assembly, Pilaster, Left Hand	93	61058	Coil and Mounting Bracket Assembly (Hi-Fi)	100
60781	Support, Fall, Dome	94	61059	Spring, Conical, Chassis Mount	96
60782	Arm, Lift, Fall Support	94	61060	Switch, Hi-Fi, "On-Off"	100
60786	Decorative Shelf and Card Holder Assembly	N/S	61061	Washer, Carrier Ring	88
60790	Mounting Bracket and Channel Assembly	96	61069	Strip, Bonding	96
60806	Lift Bracket and Stop Nut Assembly, Left Hand	89	61070	Strip, Bonding	96
60811	Bracket, Turn Button	96	61074	Bracket, Dome, Right Hand	94
60813	Plate, Latch, Upper Back Door	93	61075	Bracket, Dome, Left Hand	94
60817	Terminal Board and Solder Lug Assembly	100	61111	Pin, Spring, Pulley, Pressure Pad	84
60842	Treble Tone Control Assembly	100	61113	Washer, Tone Arm Weight (Balancing Washer)	N/S
60847	Plate and Socket Assembly	100	61118	Bracket and Stud Assembly, Coin Select Lever	98
60848	Decorative Shelf and Decal Assembly	N/S	61148	Guard, Cable	100
60863	Pan, Socket and Plug Assembly (Standard)	99	61175	Coil and Core Assembly, Selector	92
60866	Stud, Support, Selector Switches	81	61311	Bracket, Stop, Program Holder	95
60873	Pulley, Turntable Drive Motor	84	61357	Speaker, Capacitor, Cover and Mounting Pan Assembly (Tweeter)	
60875	Plate and Capacitor Assembly	100	61414	Thumbscrew (Coin Register Mechanism)	98
60879	Dome Assembly, High Fidelity	94	61415	Nut, Fibre (Coin Register Mechanism)	98
60881	O-Ring, Turntable Drive Motor (Round Rubber Belt)	84	61438	Decal and Coin Escutcheon Plate Assembly (10¢ & 25¢)	81
60882	Mount, Rubber, Turntable Drive Motor	84	61449	Switch and Bracket Assembly (Latch Solenoid Switch)	82
60889	Bracket, Mounting, Upper, Turntable Drive Motor	84	61450	Switch and Bracket Assembly (2)	82
60893	Clip, Spring, Turntable Drive Motor	84	61461	Bracket, Stop, Record Actuator Arm (Added Feature on Later Models)	N/S
60894	Gear and Shaft Assembly, Turntable Drive Motor	84	61481	Coil, Air	100
60941	Lower Back Assembly	93	61484	Guide, Record Actuator Arm, Right Hand	89
60942	Deflector Assembly (Standard)	96	61501	Cup, Coin Return Casting	93
60946	Plate, Pin and Bushing Assembly	84	61558	Speaker, 6-inch Permanent Magnet (Magnavox)	100
60953	Drip Pan Assembly	84	61568	Cable Sleeve (Stud and Screw Assembly) (Used on 59872)	
60954	Pad, Felt, Drip Pan	84		Cable and Sleeve Assembly-Service No. Only	N/S
60955	Turntable Motor and Worm Assembly	84			

Part No.	Description	Page No.	Part No.	Description	Page No.
61575	Tone Arm Sub-Assembly	85	72232-32	Resistor, 47K, ± 10%, 1/2 watt	61, 62
61578	Brush and Arm Assembly (Tone Arm) (Service No. Only)	83	72234-32	Resistor, 56K, ± 10%, 1/2 watt	61, 62
61581	Cam (Inner) Full Cycle Switch	98	72236-32	Resistor, 68K, ± 10%, 1/2 watt	61, 62
61581-A	Cam Modification Parts (Coin Register Mechanism)	N/S	72242-32	Resistor, 120K, ± 10%, 1/2 watt	61
61596	Switch, Reversing (New Type)	92	72244-32	Resistor, 150K, ± 10%, 1/2 watt	61, 62
61653	Turntable Shaft Assembly	86	72246-32	Resistor, 180K, ± 10%, 1/2 watt	61, 62
61669	Decal, High Fidelity	94	72248-32	Resistor, 220K, ± 10%, 1/2 watt	61, 62
61672-1	Alignment Sleeve	N/S	72254-32	Resistor, 390K, ± 10%, 1/2 watt	61, 62
61672-2	Record Disc (Template)	N/S	72260-32	Resistor, 680K, ± 10%, 1/2 watt	61, 62
61672-3	1/8 Inch Punch	N/S	72262-32	Resistor, 820K, ± 10%, 1/2 watt	61, 62
61672-4	5/32 Inch Punch	N/S	72264-32	Resistor, 1 MEG, ± 10%, 1/2 watt	61, 62
61672-5	3/16 Inch Punch	N/S	72268-32	Resistor, 1.5 MEG, ± 10%, 1/2 watt	61, 62
61850	Guide, Selector Mounting Stud	92	72274-31	Resistor, 2.7M ± 5%, 1/2 watt	61, 62
70527-265	Capacitor, 51MMFD, Ceramic	61, 62	72294-32	Resistor, 18 Ohms, ± 10%, 1 watt	61, 62
70534-140	Capacitor, 100MMFD, Ceramic	61, 62	72352-32	Resistor, 4.7K ± 10%, 1 watt	61, 62
70545-240	Capacitor, 270MMFD, Ceramic	62	72362-32	Resistor, 12K, ± 10%, 1 watt	61, 62
70549-240	Capacitor, 390MMFD, Ceramic	61, 62	72372-32	Resistor, 33K, ± 10%, 1 watt	61, 62
70552-240	Capacitor, 510MMFD, Ceramic	61, 62	72377-31	Resistor, 51K, ± 5%, 1 watt	61, 62
71501-974	Cord, Light Ballast	97	72384-31	Resistor, 100K, ± 5%, 1 watt	61, 62
71756-24	Capacitor, 0.0033 MFD, ± 10%, 400 w.v.	62	72995-2	Resistor, 250 ± 10%, 1/2 watt	61, 62
71762-44	Capacitor, 0.01 MFD, ± 20%, 400 w.v.	61, 62	73002-48	Capacitor, 0.0005 MFD, ± 20%, 1600 w.v.	61, 62
71766-44	Capacitor, 0.022 MFD, 20%, 400 w.v.	61, 62	73009-24	Capacitor, 0.0004 MFD, ± 10%, 400 w.v.	62
71770-24	Capacitor, 0.047 MFD, ± 10%, 400 w.v.	61, 62	73018-22	Capacitor, 0.03 MFD, ± 10%, 200 w.v.	61, 62
71774-44	Capacitor, 0.1 MFD, ± 20%, 400 w.v.	61, 62	73033-14	Capacitor, .1 MFD, ± 10%, 400 w.v.	92
71883-2	Resistor, 150 Ohms	82	73041-22	Capacitor, 1 MFD, ± 10%, 200 w.v.	61, 62
71960-2	Resistor, 1250 Ohms, ± 10%, 20 watt	61, 62	73093-440	Capacitor, .1 MFD ± 20%, 400 w.v.	61, 62
72120	Washer	97	73098-210	Capacitor, 0.4 MFD, ± 10%, 100 w.v.	61, 62
72144-32	Resistor, 10 Ohms, ± 10%, 1/2 watt	61, 62	73474	Capacitor, 20, 20, 10, and 20 MFD; ± 100%, -10%; 275, 275, 338, 175 w.v.	61, 62
72168-31	Resistor, 100 Ohms, ± 5%, 1/2 watt	61, 62	73475	Capacitor, 30, 20, 20, and 25 MFD; ± 100%, -10%; 405, 285, 315, and 22 w.v.	61, 62
72188-32	Resistor, 680 Ohms, ± 10%, 1/2 watt	61, 62	73104-650	Capacitor, 2 MFD, 50 w.v.	61, 62
72192-32	Resistor, 1K, ± 10%, 1/2 watt	61, 62			100
72202-32	Resistor, 2.7K, ± 10%, 1/2 watt	61, 62			
72208-32	Resistor, 4.7K, ± 10%, 1/2 watt	61, 62			
72209-31	Resistor, 5.1K, ± 5%, 1/2 watt	61, 62			
72214-32	Resistor, 8.2K, ± 10%, 1/2 watt	61, 62			
72216-32	Resistor, 10K, ± 10%, 1/2 watt	61, 62			
72218-31	Resistor, 12K, ± 5%, 1/2 watt	61, 62			
72224-32	Resistor, 22K ± 10%, 1/2 watt	61, 62			
72226-32	Resistor, 27K, ± 10%, 1/2 watt	61, 62			
72230-32	Resistor, 39K, ± 10%, 1/2 watt	61, 62			

Part No.	Description	Page No.	Part No.	Description	Page No.
73293-110	Capacitor, 20 MFD, 25 w.v.	61, 62	73676-50	Screw, Sems, 10-32 x 1/2	88
73474	Capacitor, Electrolytic	99	73691-35	Screw, Sems, 8-32 x 5/16	93
73475	Capacitor, Electrolytic	99	73705-3	Lockwasher	86
73502-99	Screw, Machine, 10-32 x 1-3/4	90	73724-9	Ring, Retaining	98
73503-23	Screw, Machine, 4-40 x 1/4	86	73724-12	Ring, Retaining	89, 91
73503-24	Screw, Machine, 4-40 x 5/16	88	73724-15	Ring, Retaining	82, 92
73503-25	Screw, Machine, 4-40 x 3/8	88	73724-18	Ring, Retaining	83, 87
73503-30	Screw, Machine, 4-40 x 7/8	92			90, 91
73511-19	Screw, Set, 6-32 x 3/16	98	73724-25	Ring, Retaining	83
73533-12	Screw, Sems, 5-40 x 1/4	82, 83	73724-87	Ring, Retaining (Record Carrier)	88, 91
73533-21	Screw, Sems, 6-32 x 3/16	81, 89			91
73533-22	Screw, Sems, 6-32 x 1/4	81, 82, 89	73727-112	Ring, Retaining	91
73533-23	Screw, Sems, 6-32 x 5/16	86	73728-18	Ring, Retaining	91
73533-25	Screw, Sems, 6-32 x 7/16	98	73728-25	Ring, Retaining	86
73533-27	Screw, Sems, 6-32 x 5/8	83	73728-37	Ring, Retaining	86, 90
73533-28	Screw, Sems, 4-40 x 3/4	98	73728-50	Ring, Retaining	90
73533-29	Screw, Sems, 6-32 x 7/8	98	73728-62	Ring, Retaining	91
73533-33	Screw, Sems, 8-32 x 3/16	81	73782-49	Pin, Roll 1/8 x 5/8	86
73533-34	Screw, Sems, 8-32 x 1/4	81, 82, 98	73782-51	Pin, Roll (Shaft Size 5/16 in., 3/8 in.)	86
73533-35	Screw, Sems, 8-32 x 5/16 (Turntable shaft)	81	73782-66	Pin, Roll (Shaft Size 7/16 in., 1/2 in.)	90
73533-39	Screw, Sems, 8-32 x 5/8	81, 91	73782-70	Pin, Roll (Shaft Size 7/16 in., 1/2 in.)	90
73533-40	Screw, Sems, 8-32 x 3/4	82	73782-71	Pin, Roll (Shaft Size 7/16 in., 1/2 in.)	91
73534-33	Screw	82			91
73534-36	Screw, Sems, 8-32 x 3/8	88	73782-85	Pin, Roll (Shaft Size 9/16 in., 5/8 in.)	91
73568-106	Screw, Thread Cutting, 10-32 x 5/16	89	73782-88	Pin, Roll (Shaft Size 9/16 in., 5/8 in.)	91
73568-112	Screw, Thread Cutting, 10-32 x 3/4	89	73783-37	Washer, "C" Inside, Reversing Switch Plunger	91
73571-22	Screw, Cap, 10-32 x 1-1/2	90	73785	Nut, Hex, Special	90
73571-25	Screw, Socket Head, 10-32 x 2-1/4	90	73786-5	Nut	81
73571-66	Screw, Socket Head, 1/4-20 x 1	90	73789-17	Locknut	90
73590-12	Screw, Parker, Type "Z", 1/4 inch	97	1047284	Retainer, Right Hand	93
73590-13	Screw, Parker Kalon Type "Z", 5/16-inch	99	1047827	Retainer, Left Hand	93
73593-7	Screw, Parker Kalon Type "A", 3/8 inch	97	1047830	Retainer, Right Hand	93
73596-20	Screw, Parker Kalon Type "A", 1/2-inch	94	1047833	Retainer, Left Hand	93
73601-3	Nut, Hex, 4-40 x 1/4	98	1047838	Door, Cash Box (Specify Walnut or Lined Walnut)	93
73601-6	Nut, Hex, 6-32	87			
73601-7	Nut, Hex, 6-32 x 5/16	81			
73601-10	Nut, Hex, 1/4-20	86			
73601-12	Nut, Hex, 3/8-16	90			
73603-8	Nut, Hex, 10-32	90			
73604-3	Lockwasher, External, 9/32	98			
73604-6	Lockwasher, External, Shakeproof Type II	81			
73605-7	Lockwasher	98			
73605-11	Lockwasher	90			
73607-13	Lockwasher (for 1/2-inch Bolt)	82			
73617-6	Screw, Hex Head, 10-32 x 1-1/4	90			
73617-186	Screw, Cap, 8-32 x 1-1/4	91			
73632-16	Washer, Spring, 1/4 in. I. D.	89			
73632-109	Washer, Spring, .333 inch I. D.	89			
73636-11	Nut, Tinnerman, 29/32 x 3/8	97			
73637-4	Nut, Tinnerman, Speed, 1/8 in.	88			
73673-99	Screw, Machine, 10-32 x 1-3/4	85			
73676-46	Screw, Sems, 10-32 x 1/4	89			