

Fig. 82. PLAYRAK AND SLUG REJECTORS

1. Coin Switch Assembly, Slug Rejector	68311	15. Relay, Timing # 1	112494
2. Switch, Wire, and Mounting Bracket Assem.	13525	16. Cancel Wheel, Assembly	66124
3. Spring, Lock-Out	62145	17. Retaining Ring	73724-25
4. Lever, Hub and Stud Assembly	66129	18. Switch, Key	66082
5. Stop Lever and Spring Assembly	66132	19. Actuator, Plastic	58255
6. Spring, Accumulator	66074	20. Adjustment Cam	42868
7. Accumulator Wheel and Hub	66131	21. Spring, Cancel Pawl	62145
8. Relay, Pulse	68211	22. Retaining Ring	73724-21
9. Cable, Coin Mechanism	113547	23. Pivot Arm and Pawl Assembly	66125
10. Slide Switch	62886	24. Retaining Ring	73724-15
11. Coin Magnet	66128	25. Pin, Cancel Plunger	65947
12. Retaining Ring	73724-18	26. Spring, Solenoid Return	66072
13. Fusetron, 0.8 Amp.	14524	27. Spring, Cancel	66071
14. Solenoid, Cancel	65069	28. Fuse Post	45352

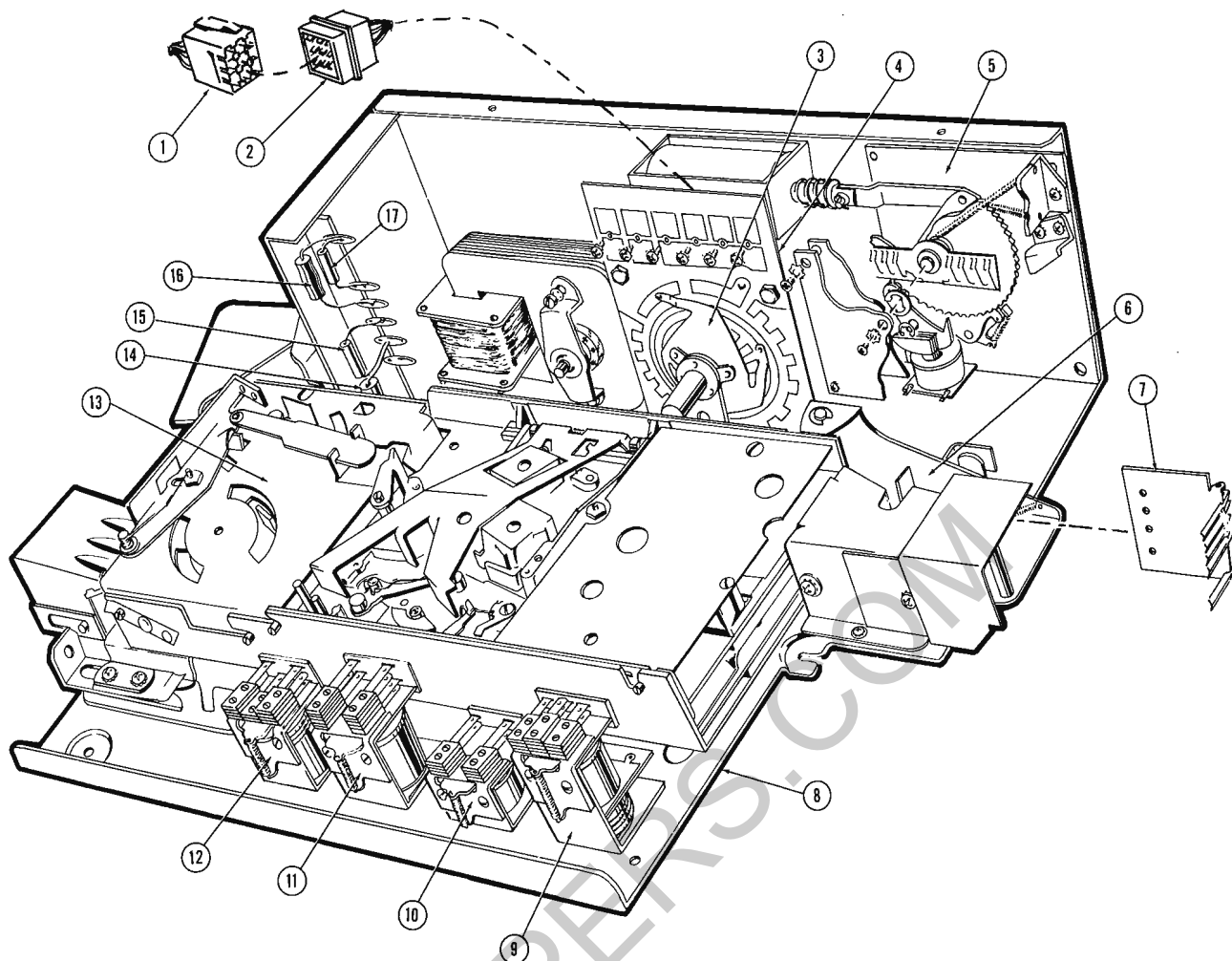


Fig. 83. COIN REGISTER MECHANISM, DUAL PRICING

1. Socket, 6 Circuit	113528	6. Switch	113627
2. Cap., 9 Circuit	113529	7. Coin Switch Assembly	68311
3. Drive Arm and Contact Assembly	113980	8. Base Plate and Mounting Bracket Assembly	114070
4. Printed Board, Extended Play, Punched	113909	9. Relay, Anti-Cheat	114928
5. Accumulator Assembly	114037	10. Pricing Relay	114889
Stop - Cancel Pawl	114479	11. Timing Relay	114929
Printed Wiring Board and Spacer Assembly	113960	12. Pulse Relay	114949
Cancel Pawl and Lever Assembly	114032	13. Slug Rejector	113350
Escapement Pawl Assembly	113945	14. Capacitor, .047 MFD, 200 V.	71191-12
Spring, Escapement Pawl	114430	15. Resistor, 100 ohm, 1 W.	72312-32
Spring, Selector Coil	57110	16. Capacitor, .015 MFD., 200 V.	71185-12
Accumulator Coil	45663	17. Resistor, 12 ohm., 1 W.	72290-32
Spring, Ratchet Wheel Return	114003		

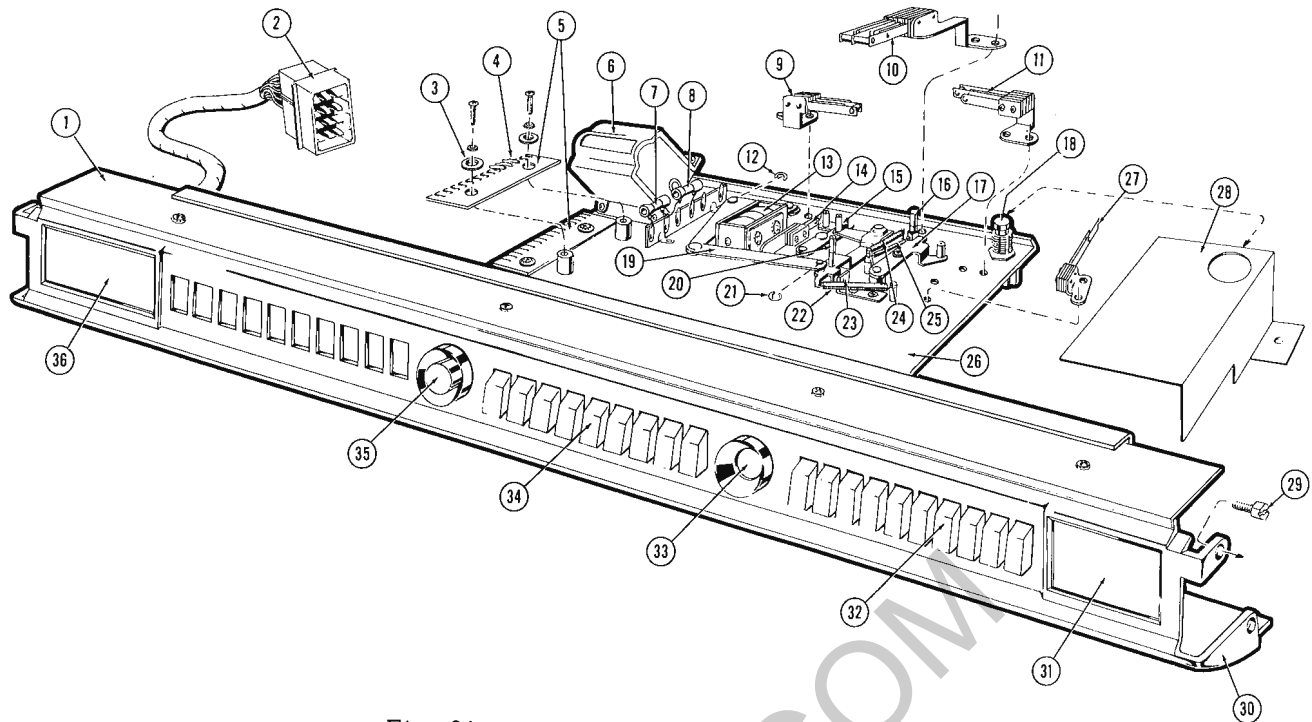


Fig. 84. SELECTOR SWITCH ASSEMBLY

1. Light Shield, Selector Casting	114423	25. Retracting Spring	57129
2. Cap. 12 Circuit	113531	26. Mounting Plate and Bushing Assembly	111713
3. Extruded Bushing (2)	99507	27. Switch and Bracket Assembly,	
4. Edge Receptacle	114033	Number Series	66007
5. Pricing Plate, Shorting	113997	28. Guard Selector Switch Assembly	114994
6. Electric Counter	45345	29. Thumb Screw, Selector Casting	114407
7. Resistor, 150 ohm., 5 W.	71883-2	30. Selector Switch Casting	113226
8. Resistor, 85 ohm., 5 W.	71886-3	31. Coin Denomination Plate	
9. Switch and Bracket Assembly,		(10 Plays Half Dollar, 5 Plays Quarter, 1 Play Dime)	114865
Latch, Letters and Numbers	68247	(9 Plays Half Dollar, 4 Plays Quarter, 1 Play Dime)	113896
10. Switch	114336	(5 Plays Quarter, 2 Plays Dime, 1 Play Nickel)	113816
11. Switch and Bracket Assembly,		(7 Plays Half Dollar, 3 Plays Quarter, 1 Play Dime)	113814
Latch, Letters and Numbers	68247	(10 Plays Half Dollar, 4 Plays Quarter, 1 Play Dime)	113895
12. Retaining Ring.	73724-18	(5¢ Credit, Make 10¢ Selection, Make ANY Selection)	114514
13. Solenoid Assembly, Latch	112104	32. Number Buttons (1 to 0)	111469 to 111478
14. Switch and Bracket Assembly,		Selector Switch, Letters and	
Letter Series	111810	Numbers (3)	113998
15. Pawl, Stud and Spacer Assembly, Letters	65009	33. Select Casting	68320
Shaft, Link and Lever Assembly,		"Select" Blank and Silk Screen	111574
Letters	111897	Light Box and Mounting Bracket	111833
Tapper Pin, 6/0 x 7/16"	65362	Light Socket and Wire Assembly	69775
16. Pawl, Stud and Spacer Assembly	56712	Socket - Lamp	111817
17. Trip Lever and Spacer Assembly, Numbers	65010	2 Pin Miniature Lamp	111816
Shaft, Link and Lever Assembly,		34. Letter Buttons, (A to V)	111449 to 111468
Numbers	111898	35. Reset Casting	113248
Taper Pin, 6/0 x 7/16"	65362	Reset Button	113246
18. Switch, Free Play	56233	Switch Reset	113249
19. Crank and Link Assembly	111720	Switch and Bracket Assembly, Reset	114998
20. Release Lever, Stud and Spacer		36. Instruction Plate, "Select After Each	
Assembly	56713	Coin" - "Press Letter and Number"	113817
21. Retaining Ring	73724-15	"Insert, Half Dollars, Quarters,	
22. Spring, Solenoid Retracting	57130	Dimes, Nickels	113815
23. Rubber Bumper	54246		
24. Retracting Spring	57128		

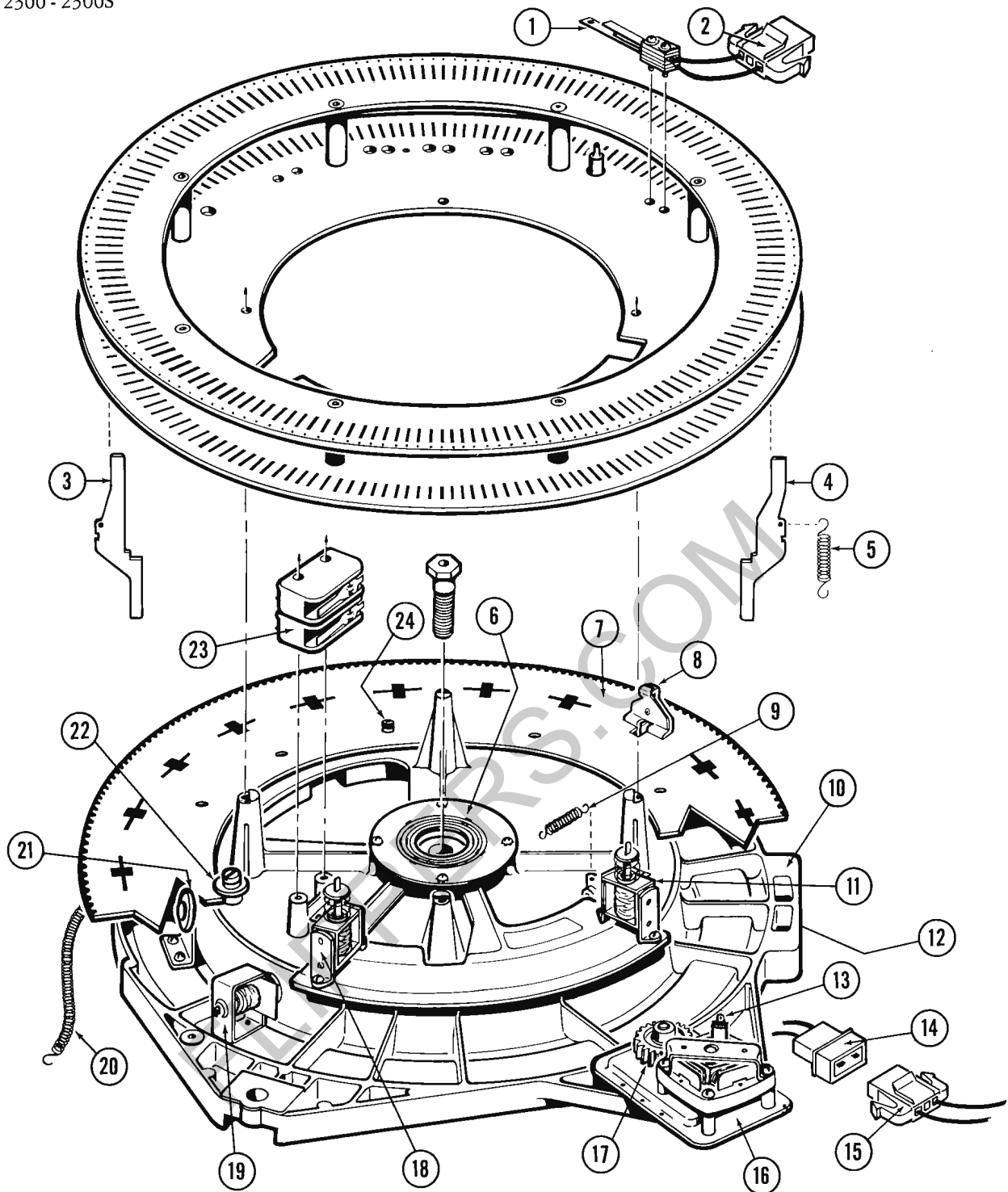


Fig. 85. ELECTRIC SELECTOR 113258

1. Switch Assembly, Over-ride	65952	13. Thermo Cut-Out, Motor	68731-1
2. 3 Circuit Female Housing	111528	14. 3 Circuit Male Housing	111526
3. Latch Pin, Inner, (100)	110941	15. 3 Circuit Female Housing	111528
4. Latch Pin, Outer, (100)	110942	16. Motor and Gear Assembly, Selector	111913
5. Spring, Latch Pin, (200)	110480	17. Gear and Hub Assembly	68717
6. Contact Plate	66186	18. Solenoid, Selector, Number, (9)	68617
7. Rotating Plate	67920	19. Solenoid, Selector, Letter, (20)	68594
8. Rocker Arm (20)	68807	20. Spring, Rocker Arms	68755
9. Spring, Number Quadrant	62773	21. Bracket and Roller Assembly	68651
10. Selector Casting	113437	22. Plastic Roller	68656
11. Solenoid Selector, Number, (1)	68804	23. Micro Switch, Start and Reverse	61596
12. Socket, 12 Circuit, (4) (Underneath)	113532	24. Stop Pin, (10), Washer, (10)	115411 28078

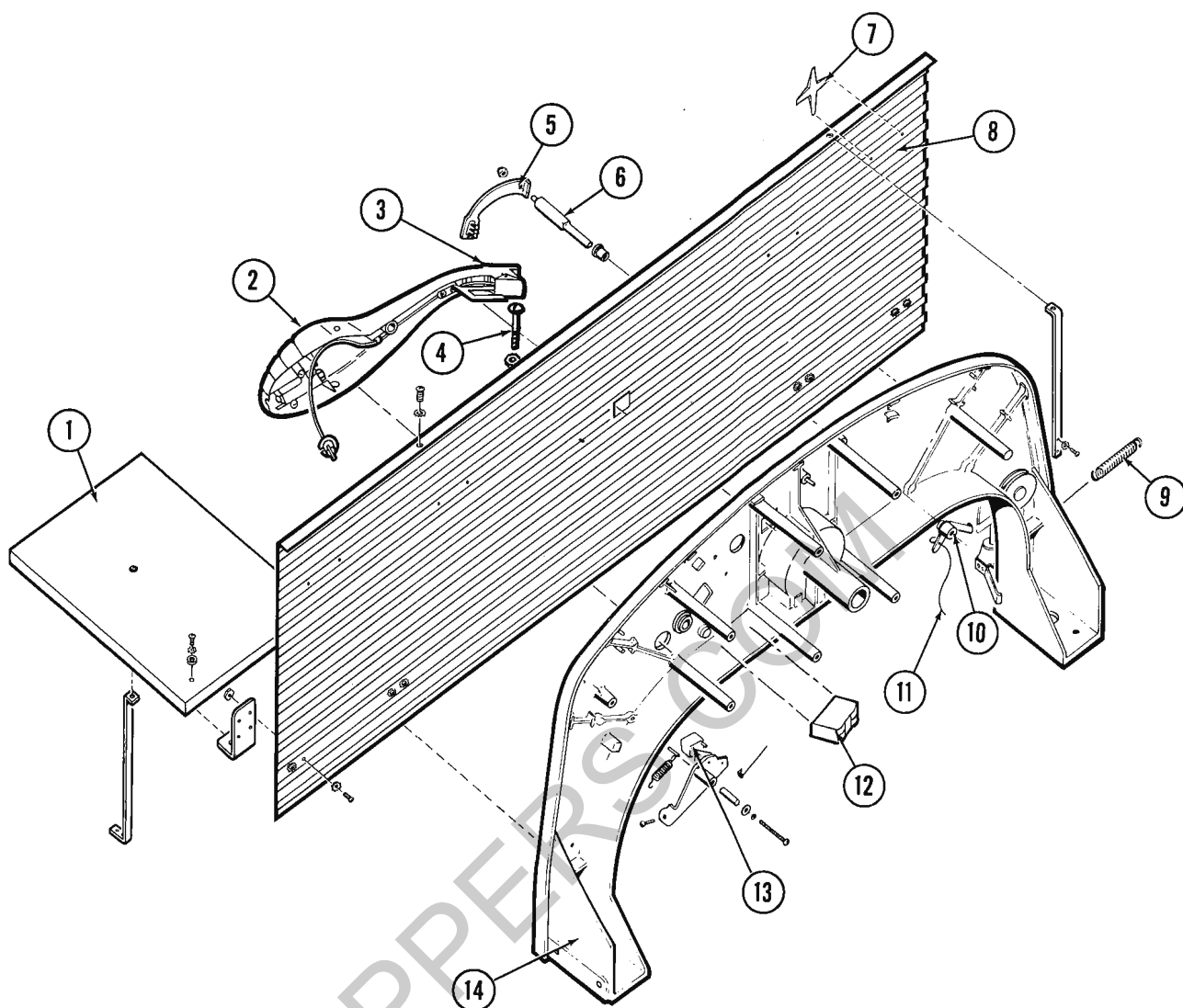


Fig. 86. TOP SUPPORT CASTING ASSEMBLY

1. Homosote, Decorative Shelf	114846		
2. Tone Arm Assembly	113966		
Mounting Casting and Pin Assembly	113457		
Gimbal and Stop Nut Assembly	113454		
Tone Arm Assembly, Stereo	113319		
Tone Arm and Wire Assembly	113320		
Gimbal and Stop Nut Assembly	113454		
Spring, Needle Pressure			
(3 Coil Base)	114484		
Cartridge, Stereo	113324		
Connector, Sonotone Cartridge,	113325		
Screw, 4-40 x 1/4",			
Cartridge Mount (2)	73503-23		
Plug, 4 Prong, Tone Arm	69089		
Socket, 4 Prong, Tone Arm	69090		
3. Needle, Green	57525		
Needle, Stereo			
		Replacement, Dual 0.7 Mil.	
		Sapphire	114138
		Replacement, Dual 0.7 Mil.	
		Diamond	115204
	4.	Stop Pin Assembly, Tone Arm	115660
	5.	Arm and Brush Assembly	113459
	6.	Shaft, Tone Arm Brush	113451
	7.	Star, Background (4)	113242
	8.	Decorative Background Assembly	113208
	9.	Spring, Record Indicator Bracket	59710
	10.	Shaft and Hub Assembly,	
		Tone Arm Brush	113450
	11.	Cable Tone Arm Brush	59888
		Sleeve for Cable	59881
	12.	Micro Switch, Safety	60655
	13.	Micro Switch, Trip	57851
	14.	Support Casting and Bushing	113199

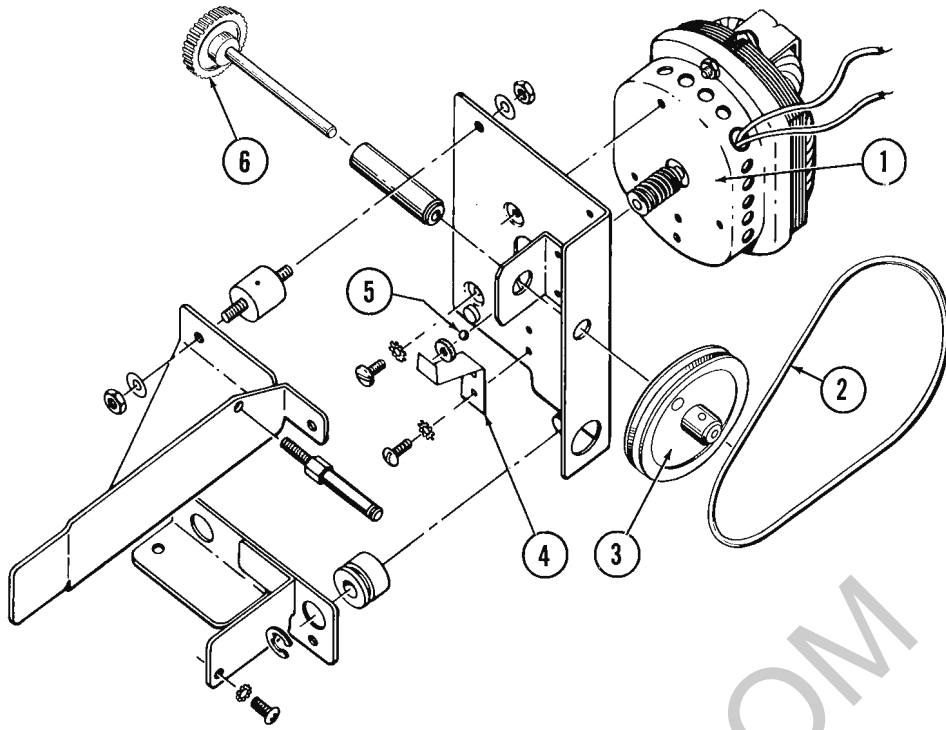


Fig. 87. TURNTABLE MOTOR AND GEAR SHAFT ASSEMBLY

1. Turntable Motor and Worm Assembly	69686	4. Spring Clip	60893
2. "O" Ring, Turntable Drive Motor	60881	5. Steel Ball	25202
3. Pulley, Turntable Drive Motor	64189	6. Gear and Shaft Assembly	65203

Absorbed Oil, 1 Pt.

21934A

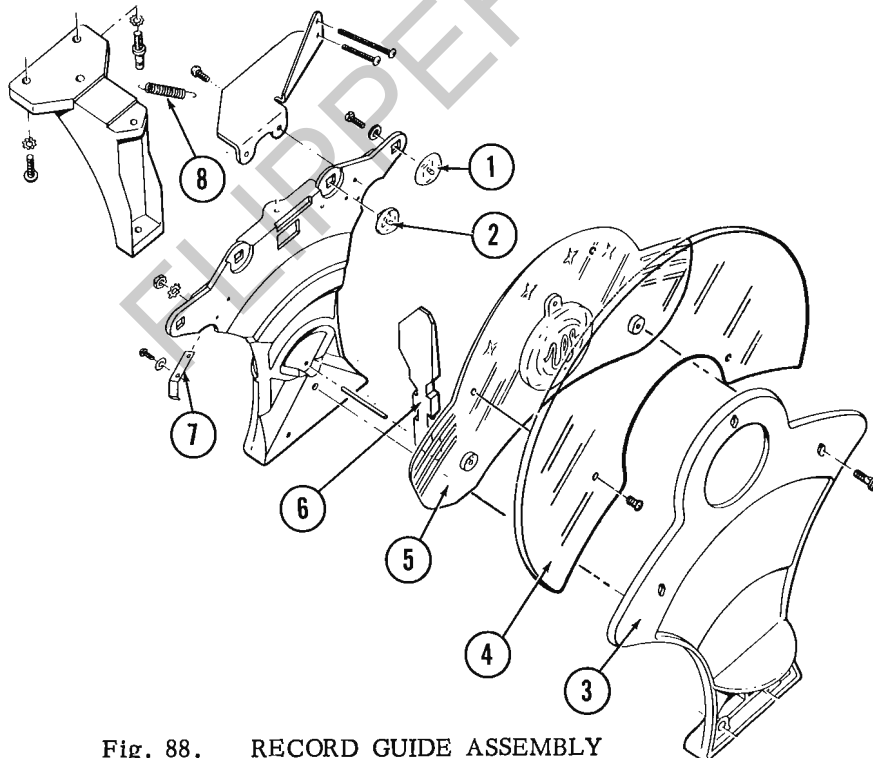


Fig. 88. RECORD GUIDE ASSEMBLY

1. Bumper, Record Guide	59743	5. Plate, Record Guide	59548
2. Bumper, Record Guide	59396	Plate, Record Guide (Stereo)	114508
3. Casting, Record Guide, Front	68103	6. Track, Record	59425
4. Overlay, Record Guide (Stereo)	114507	7. Stop Bracket, Track	59434
Screw, 8-32 x 5/16" (2)	73787-86	8. Spring, Return	59606

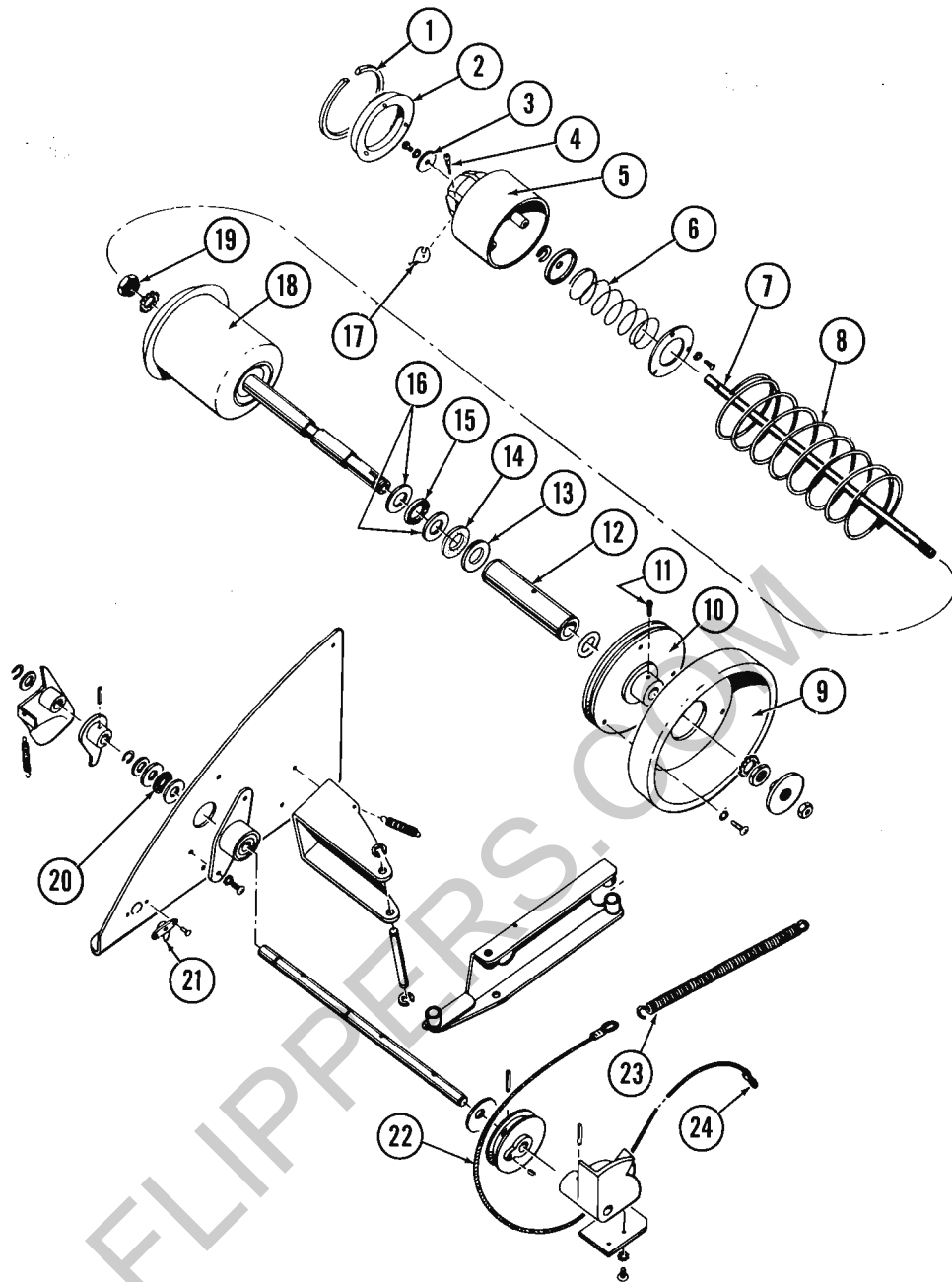


Fig. 89. TURNTABLE SHAFT ASSEMBLY, RECORD CLAMP SHAFT, AND MOUNTING PLATE AND BALL BEARING ASSEMBLY

1. Retaining Ring	60681	13. Shim .005	63731
2. Pad, Turntable	60680	14. Shim .015	63732
3. Washer, Shaft	59423	15. Ball Race	59867
4. Screw, Special, Record Clamp	59419	16. Washers	59864
5. Pilot, Turntable	59449	17. Lever, Record Clamp	59417
6. Spring, Record Clamp	59418	18. Turntable and Shaft Assembly	68102
7. Shaft, Record Clamp	59416	19. Nut, 7/16-20	59470
8. Spring, Pilot, Record Clamp	59424	20. Ball Race	59679
9. Flywheel	59456	21. Socket, Single Prong	43341
10. Pulley, Turntable	64190	22. Cable, Record Clamp and Tone Arm	59871
11. Special Screw	59399	23. Spring, Idler Pulley	61174
12. Sleeve, Bushing	64520	24. Special Service Sleeve for 59871 Cable	61658

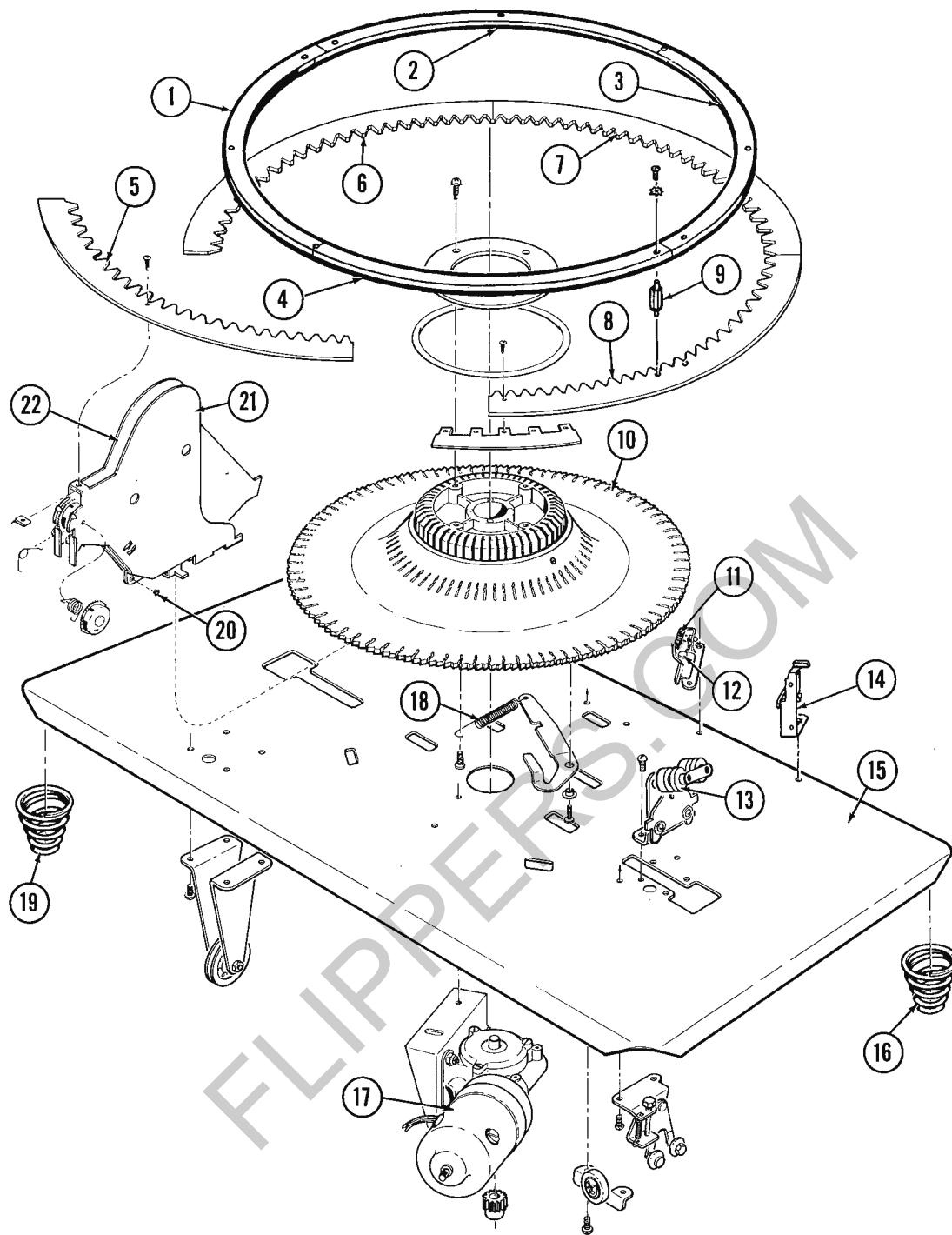


Fig. 90. CHASSIS MOUNTING PLATE AND RECORD CARRIER GROUP

1. Segment and Silk Screen Assembly, N6 - T5	113194	10. Casting, Record Carrier	115684
2. Segment and Silk Screen Assembly, H6 - N5	113195	11. Spring, Back Stop Pawl	59710
3. Segment and Silk Screen Assembly, C6 - H5	113196	12. Bumper, Back Stop Pawl	54246
4. Segment and Silk Screen Assembly, T6 - C5	113197	13. Roller, Lift Arm Guide	65939
5. Carrier, Ring, A2 - F1	114067	14. Play Meter, Reset Lever Assembly	113210
6. Carrier, Ring, R2 - A1	114065	15. Chassis Mounting Plate Assembly	59827
7. Carrier, Ring, L2 - R1	114066	16. Conical Spring (Yellow for Identification)	61059
8. Carrier, Ring, F2 - L1	114064	17. Motor and Pinion	113791
9. Spacer, Stud (10)	113202	18. Spring, Carrier Drive Pawl	59709
		19. Conical Spring (Red for Identification)	53774
		20. Eyelet, Record Holder	65714
		21. Record Holder and Counter, R.H.	65910
		22. Record Holder and Counter, L.H.	65909

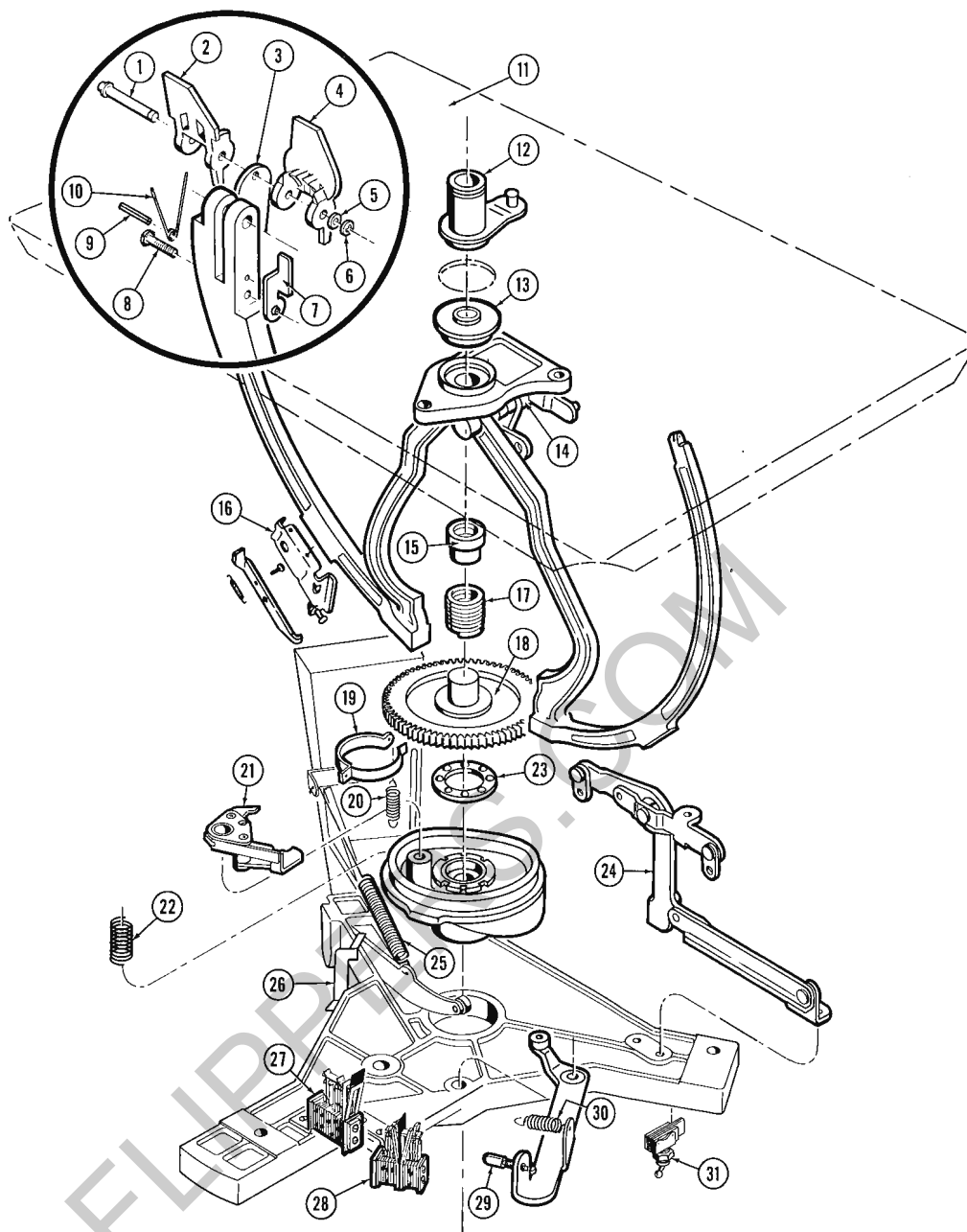


Fig. 91. RECORD LIFT ARM, MAIN CAM AND CHASSIS FRAME GROUPS

1. Shaft, Lift Arm, Guide Tip	65938	17. Spring, Drive Clutch	59584
2. Guide Tip, L. H.	65731	18. Gear and Ratchet	59732
3. Guide Plate	68290	19. Strap and Spring Assembly	59626
4. Guide Tip, R. H.	65730	20. Spring	59612
5. Washer	65937	21. Pawl Assembly	59537
6. Retaining Ring	73724-9	22. Spring, Cancel Arms	110934
7. Stop, Guide Tip	65526	23. Ball, Race	59637
8. Screw, 4-40 x 5/8"	73533-7	24. Link and Lever Assembly	59599
9. Roll Pin	73782-32	25. Spring	59585
10. Spring	65812	26. Stop Bracket, Record Lift Arm (2)	113472
11. Chassis Mounting Plate (Reference)	59827	27. Switch, Transfer	59569
12. Arm and Rivet Assembly	115668	Toggle Spring for 59569 Switch	59569-1
13. Ball Bearing	59654	28. Switch, Mute and Play	65170
14. Pivot Casting and Arm Assembly	65880	29. Actuator	58255
15. Hub, Selector Drive	59656	30. Spring	62773
16. Bracket and Nut Assembly (2)	113205	31. Switch, Toggle	53648

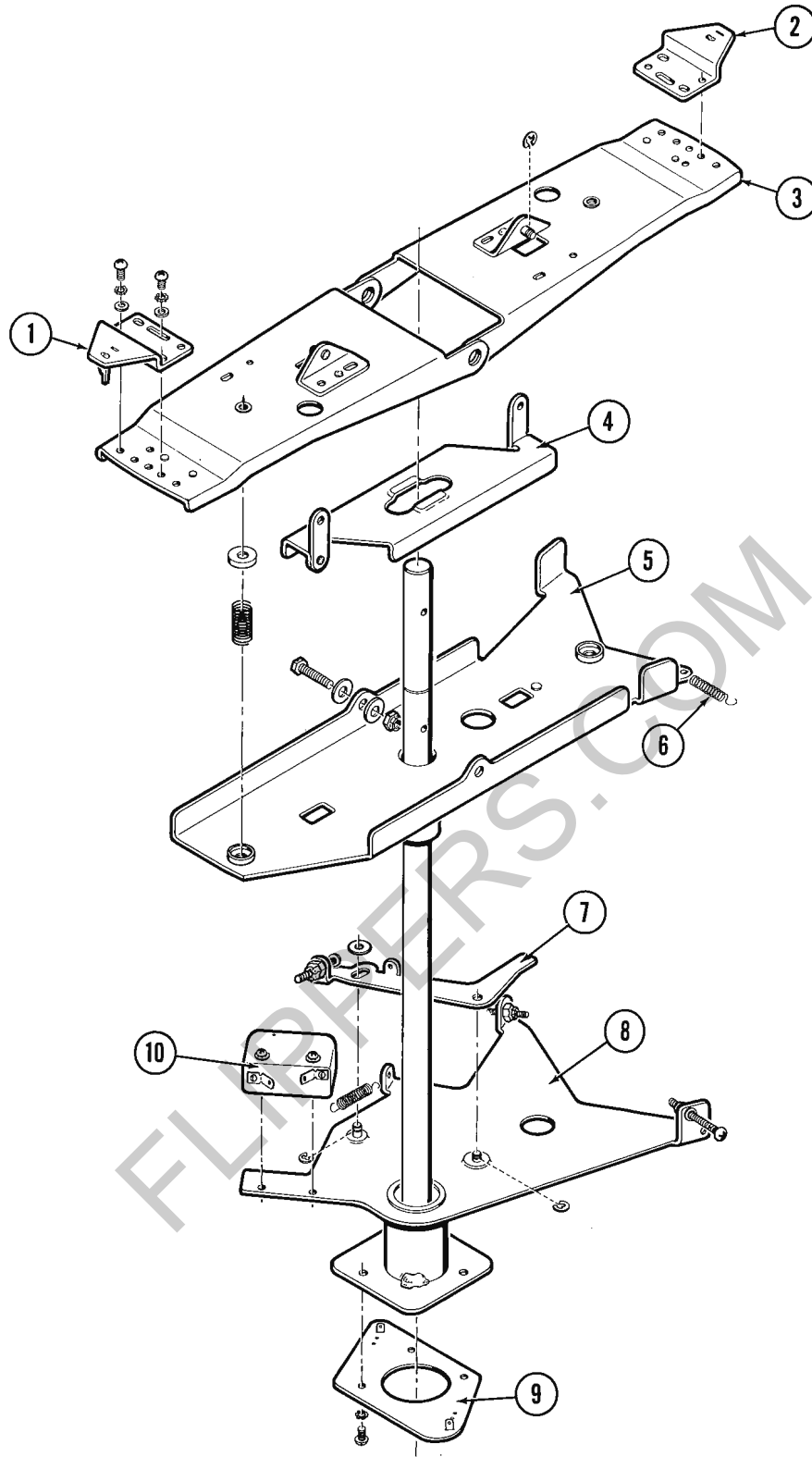


Fig. 92. SELECTOR CRANK AND SHAFT ASSEMBLY 115682

1. Tip and Mounting Bracket Assembly, Outer	110930	5. Mounting Plate and Stop Nut Assembly	110949
2. Tip and Mounting Bracket Assembly, Inner	110936	6. Spring, Kick-off	110480
3. Selector Crank and Stop Nut Assembly	110943	7. Switch Lever and Stop Nut Assembly	110937
4. Actuator Arm and Link Assembly	110939	8. Selector Shaft Assembly	115669
		9. Contact Plate Assembly	68582
		10. Micro Switch	61596

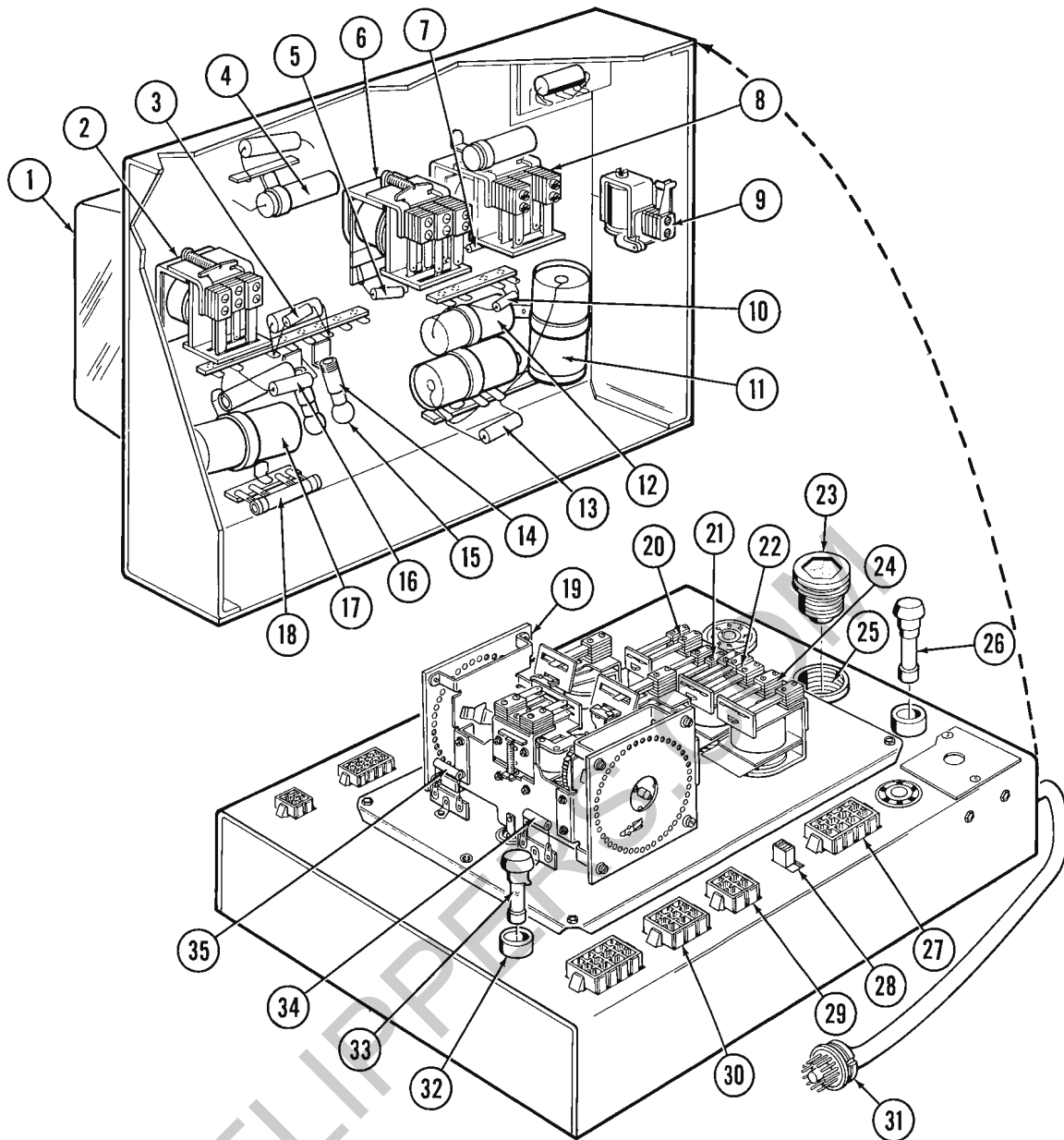


Fig. 93. JUNCTION BOX AND STEPPER UNIT 114481

1. Cover, Plastic	65801	18. Resistor, 120 Ohms, 1 W.	72314-32
2. Relay, Reverse	69240	19. Stepper, Dual	114346
3. Resistor, 27 Ohms, 1 W.	72298-32	20. Relay, Timing, Letters	68941
4. Capacitor, 20 Mfd., 50 V.	73864	21. Relay, Transfer	114501
5. Resistor, 125 Ohms, 10 W.	72935-2	22. Relay, Timing, Numbers	68940
6. Relay, Timing	112225	23. Fusestat, 3 Amp.	61858
7. Resistor, 2200 Ohms, 1 W.	72200-32	24. Relay, Pulse	114505
8. Relay, Timing No. 3	68943	25. Socket, Fusestat	61857
9. Relay, Pulse	111494	26. Fusetron, 0.3 Amp.	45588
10. Resistor, 27 Ohms, 1 W.	72298-32	27. Socket, 12 Circuit (6)	113532
11. Capacitor, 250 Mfd.	71499	28. Switch	62886
12. Capacitor, 5 Mfd.	73099-240	29. Socket, 6 Circuit (2)	113528
13. Resistor, 220 Ohms, 2 W.	72464-32	30. Socket, 9 Circuit	113530
14. Lamp, Socket Assembly	110453	31. Plug, 11 Prong	54878
15. Lamp, Mazda 55 (2)	67439	32. Fuse Post (2)	45352
16. Resistor, 51 Ohms, 2 W.	72449-31	33. Fusetron, 0.8 Amp.	14524
17. Capacitor, 65 Mfd., 50 V.A.C.	70901	34. Resistor, 820 Ohms, 2 W.	72478-32
		35. Resistor, 560 Ohms, 2 W.	72474-32

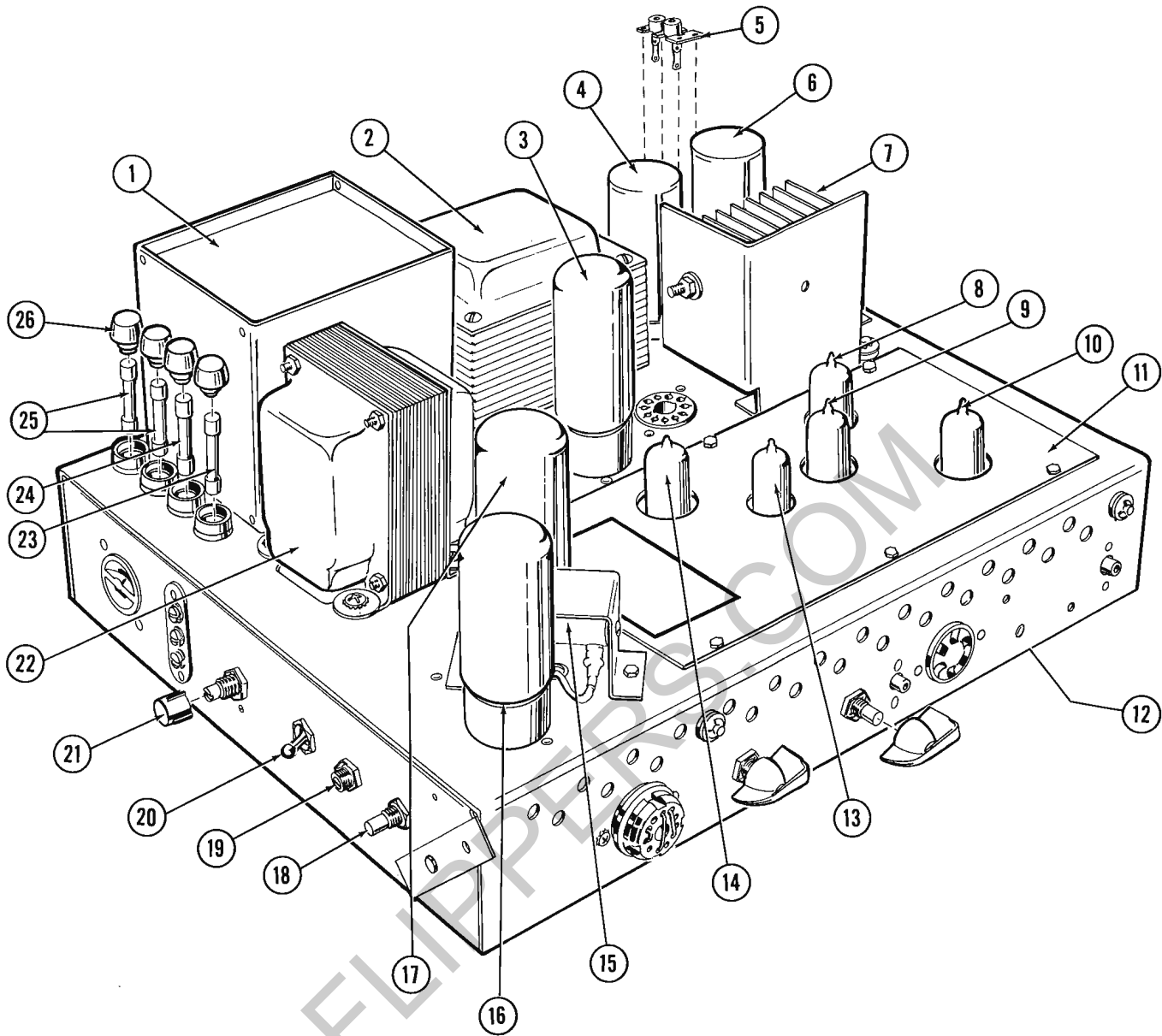


Fig. 94. AMPLIFIER - MODEL 536

1. Transformer - Amplifier - Power	68182	14. Tube, 12AX7	58427
2. Transformer - Low Voltage - 117 Volts	68183	15. Resistor, 9000 and 1650 ohms.	70897
3. Tube, 5U4GB	62742	16. Tube, 6L6GB	65341
4. Capacitor, Electrolytic	73474	17. Tube, 6L6GB	65341
5. Receptacle, Single Prong, Dual	113420	18. Switch, Cancel	68770
6. Capacitor, Electrolytic	73474	19. Volume Control, Dual 50 K	64996
7. Rectifier, Selenium	56188	20. Switch, Power, Main	53648
8. Tube, 6AN8	64914	21. Plastic Cap., Fader Switch	115866
9. Tube, 12AX7	58427	22. Transformer, Out-put	62430
10. Tube, 12AU7	58420	23. Fuse, 15 Ampere	52196
11. Cover Plate and Silk Screen Assembly	113976	24. Fuse, 8 Ampere	15845
12. Printed Board Assembly (Underneath)	114618	25. Fuse, 2 Ampere	56325
13. Tube, 6AU6	64858	26. Fuse Post	45352

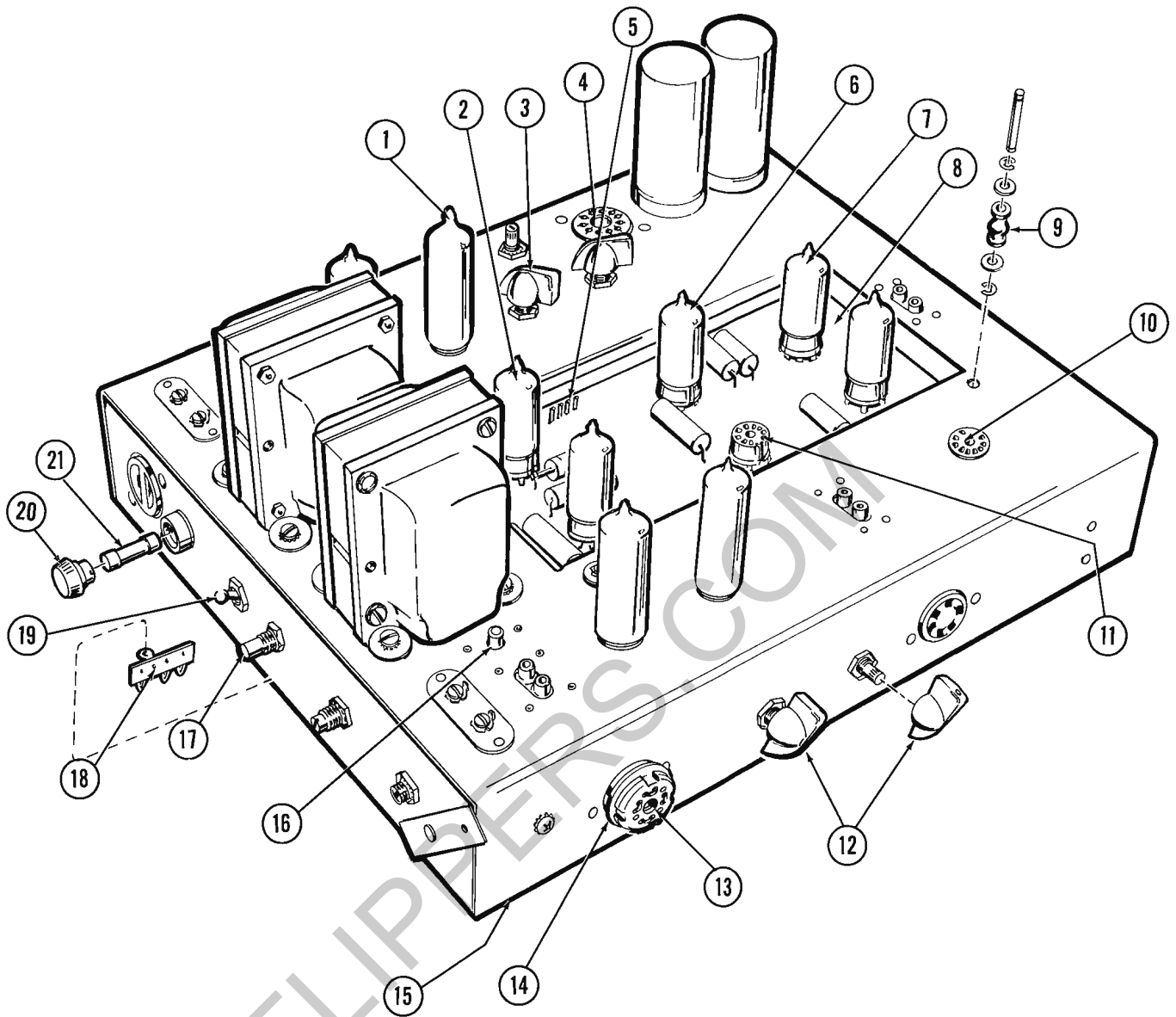


Fig. 95. AMPLIFIER - MODEL 534

- | | | | |
|-----------------------------------|--------|------------------------------------|--------|
| 1. Tube 6973 (4) | 114048 | 12. Knob (2) | 114527 |
| 2. Tube 12AX7 (3) | 58427 | 13. Plug and Wire Assembly, Jumper | 114489 |
| 3. Knob (3) | 20263 | 14. Socket, 11 Prong | 38492 |
| 4. Socket - 12 Prong | 114325 | 15. Mounting Bracket and | |
| 5. Pin Terminal (32) | 65063 | Terminal Strip Assembly | 114412 |
| 6. Tube 12AU7A (R.C.A. only) (2) | 58420 | 16. Socket, Single Prong | 43341 |
| 7. Tube 7025 (2) | 114046 | 17. Switch, Oak Type 175 | 68770 |
| 8. Printed Board Assembly | 114345 | 18. Insulated Mounting Strip | 20812 |
| 9. Isolator (4) | 15137 | 19. Switch, S.P.S.T. | 53648 |
| 10. Socket, 9 Prong Miniature (5) | 58425 | 20. Fuse, 15 Amp. | 52196 |
| 11. Socket, 9 Prong | 64920 | 21. Fuse Post | 51485 |

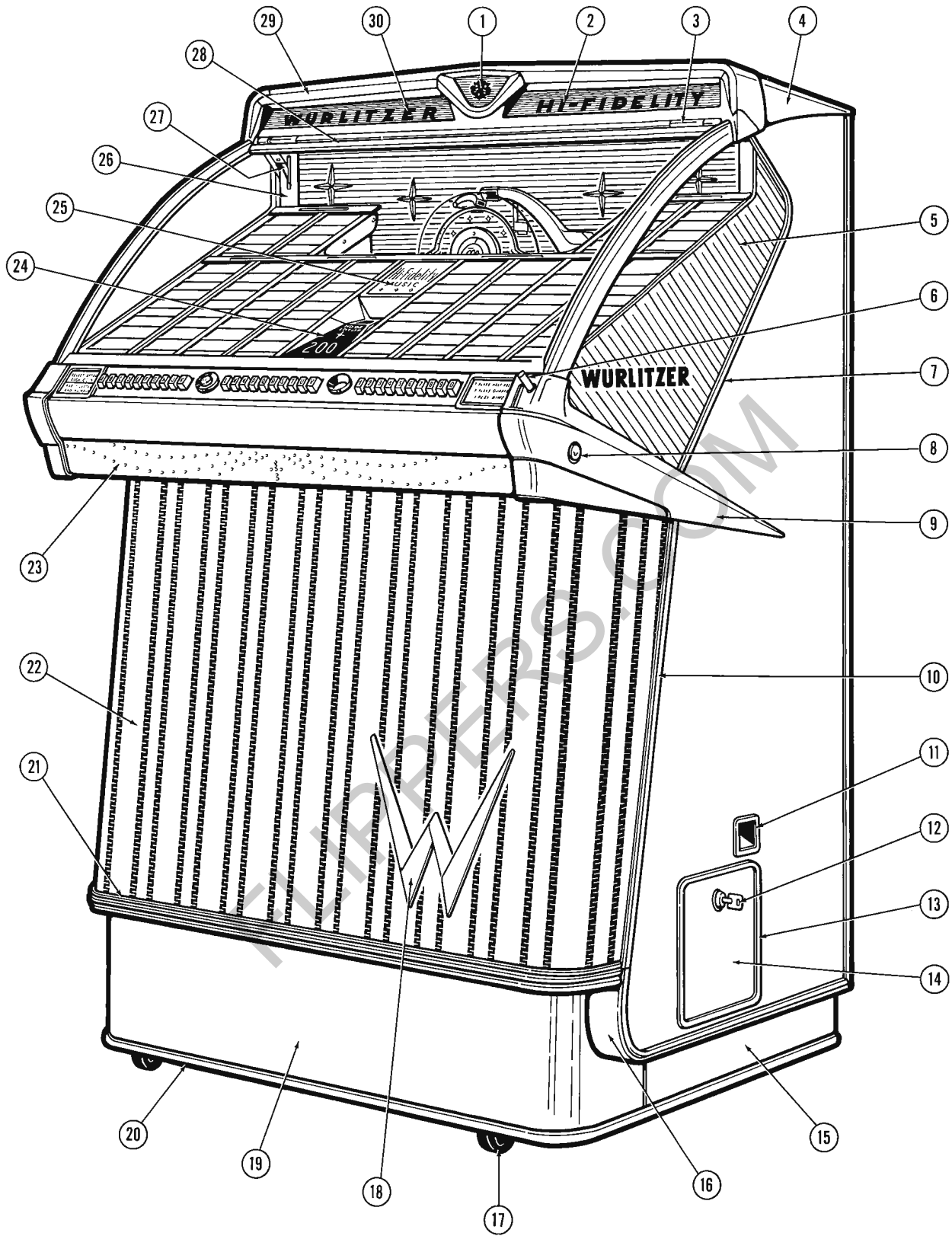


Fig. 96. TRIM AND MOUNTING - FRONT VIEW



1. Medallion		113183	15. Cover, Cabinet Base, Side (2Used)	113236
Clamp (2 Used)		113288	16. Extrusion, Side R.H.113267 L.H.	113268
2. Glass, Upper Casting, HiFidelity	R.H.	113275	17. Caster	110680
Glass, Upper Casting,			18. "W" Casting	113175
Stereophonic	R.H.	113754	19. Cover, Cabinet Base, Front	113237
Gasket, Bulk (Specify Length)		64510	20. Extrusion, Bottom	113277
Extrusion, Glass Clamp	R.H.	113628	21. Extrusion, Lower Grille	113278
Glass Clamp, Lower R.H. &	L.H.	113632	22. Grille Screen	113289
3. Hinge Pin (2 Used)		113900	23. Grille Plate	113370
4. Top Casting	R.H.113225 L.H.	113224	24. Record Indicator Panel	113415
5. Side Glass	R.H.113298 L.H.	113297	25. Label, Adhesive, Program Center Panel	113845
6. Reject Button		113327	26. Shield and Support Assembly	
Reject Rod and Bracket Assembly		113855		R.H.114951 L.H. 114952
Lever and Bracket Assembly		113854	27. Fall Support Assembly	113787
Spring, Torsion		113906	28. Extrusion, Upper, Door Glass	113290
7. Extrusion, Side Glass R.H.113234	L.H.	113235	29. Top Casting, Center	113223
8. Lock Assembly (2 Used)		113241	30. Glass Upper Casting	L.H. 113276
Lock Strike Assembly			Extrusion, Glass Clamp	113629
R.H.113746 L.H.	113744			
Key RW90		67478		
9. Cheek Casting	R.H.113222 L.H.	113221		
10. Grille Extrusion, Side R.H.113271	L.H.	113272		
11. Coin Return Cup		68192	Key, Loudness Control	984
Guard and Bracket Assembly		68725	Fuse 15 AMP	52196
12. Lock and Key, Coin Box		113291	Fuse 2 AMP	56325
13. Frame, Coin Box Door		113265	Fusetron .8 AMP	14524
14. Coin Box Door		1058541	Fusetat 3 AMP	61858
Coin Bag		62670	Fusetron .3 AMP	45588
Bracket		65213	Fuse 8 AMP	15845

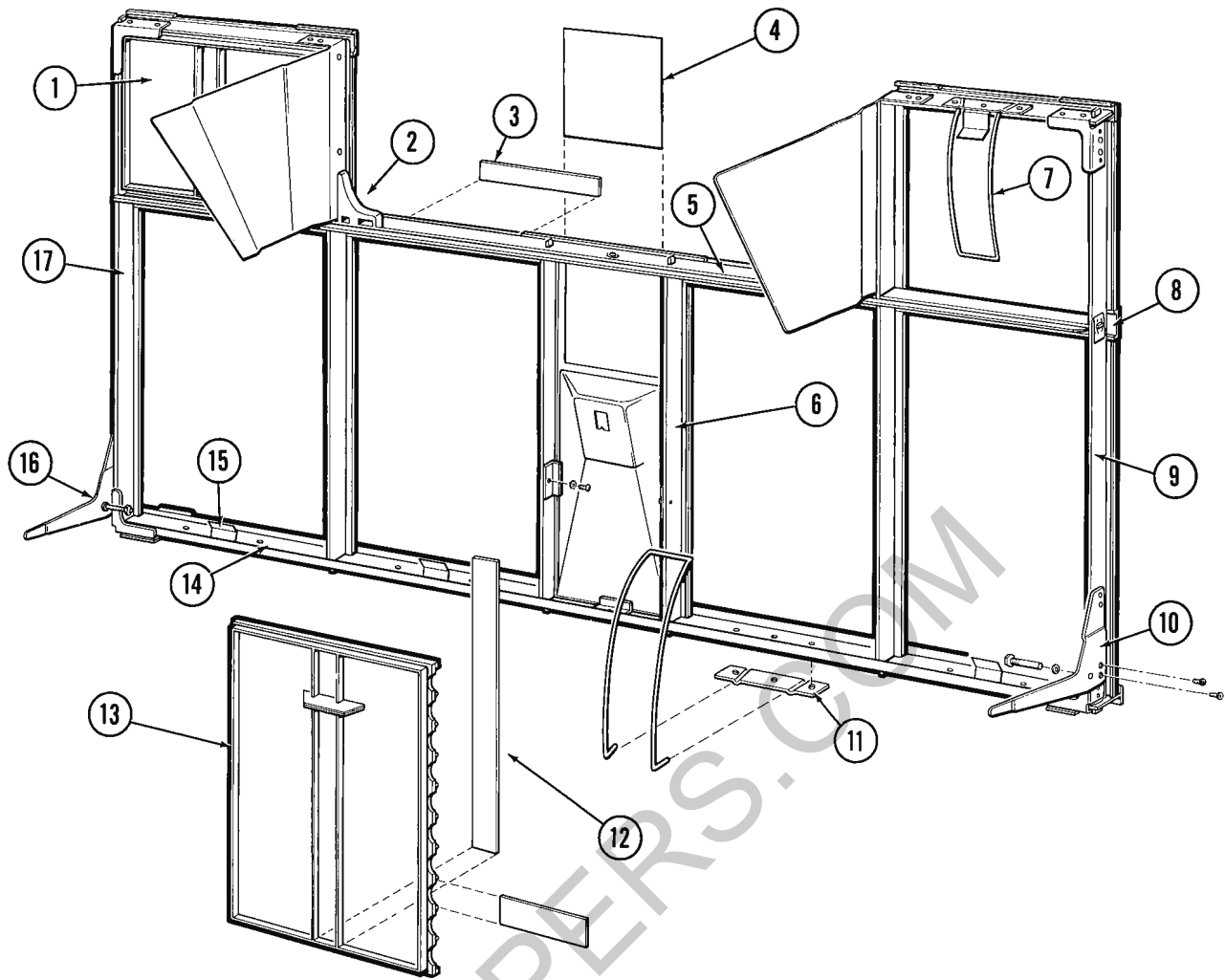


Fig. 97. PROGRAM HOLDER ASSEMBLY.

1. Program Holder (2)	113177	6. Extrusion, Vertical Center	113361
2. Extrusion, Corner (2)	113311	7. Spring	113700
3. Classification Slip		8. Extrusion, Horizontal	113367
"Wurlitzer Music" (2)	113818	9. Extrusion and Shield Assembly, L.H.	113839
"Today's Top Tunes" (2)	113819	10. Fall Support and Pin Assembly, L.H.	113837
"Country and Western"	113820	11. Spring Clamp	113697
"Rhythm and Blues"	113821	12. Decalomania	
"Rock and Roll"	113822	A 1 - B 0	113514
"New Pop Records"	113823	C 1 - F 0	113515
"E. P. Show Albums"	113824	G 1 - K 0	113516
"Stereo and E. P."	113825	L 1 - P 0	113517
"Classical and Old Favorites"	113826	S 1 - R 0	113518
"Jazz and Novelty"	113827	U 1 - V 0	113519
"Polkas and Waltzes"	113828	13. Program Holder (4)	113180
"Stereophonic Music" (3)	113829	14. Extrusion	113305
4. Label, Coin Demonination	113845	15. Clamp	113699
Transfer, Adhesive, 2 sets (1 to 10)	113846	16. Fall Support and Pin Assembly, R.H.	113836
5. Extrusion, Center	113368	17. Extrusion and Shield Assembly, R.H.	113838

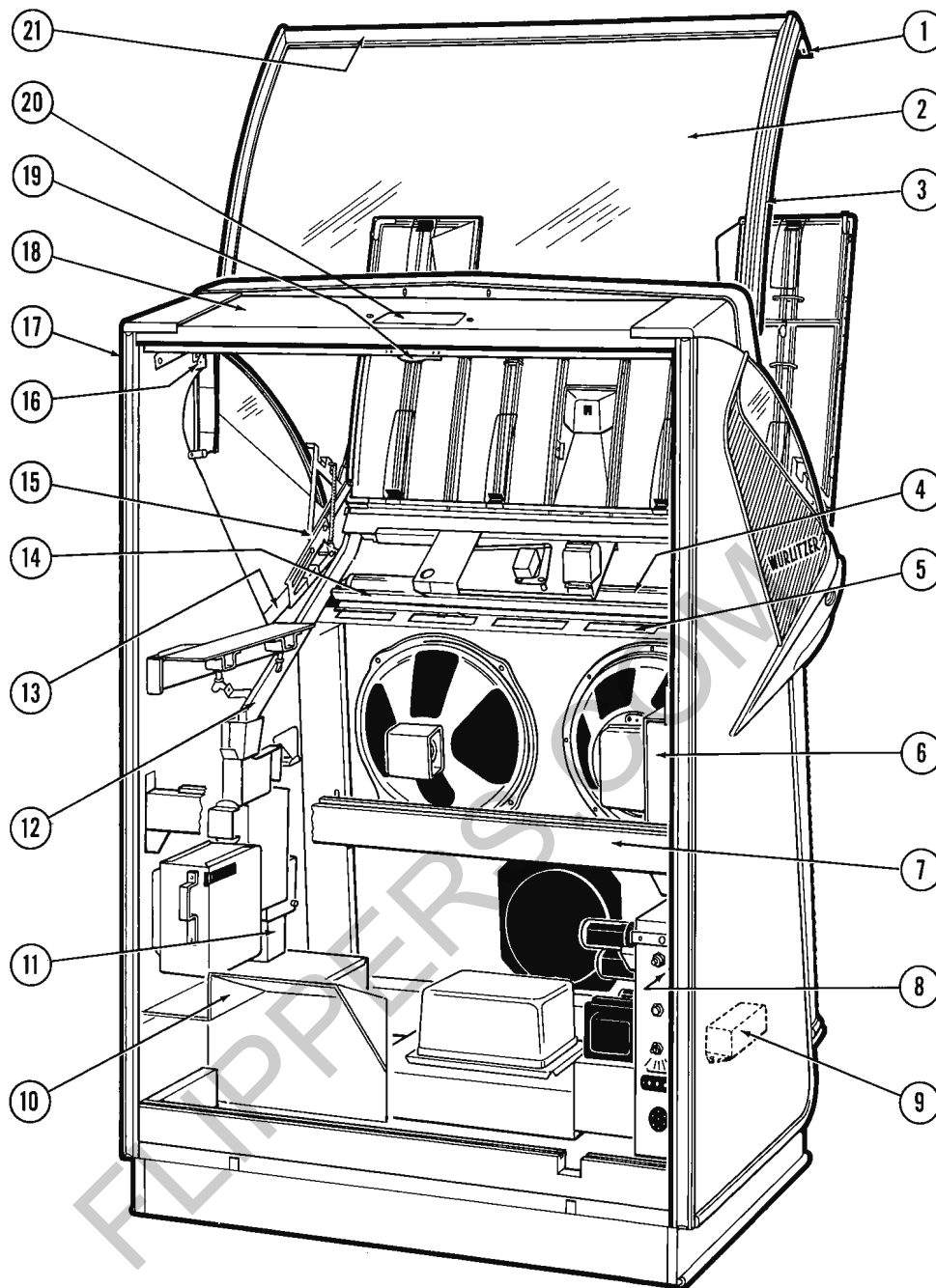


Fig. 98. TRIM AND MOUNTING - REAR VIEW

1. Lock Latch, Dome	L.H.113624	R.H.113625	Coin Stop	114026
2. Door Glass		113273	13. Glass Clamp and Spacer	
Gasket Bulk (Specify Length)		62197	Assembly	R.H.113689 L.H.113690
3. Extrusion, Door, Side	L.H.113296	R.H.113295	14. Guard and Bracket Assembly	114993
4. Fluorescent Lamp		110965	15. Slide Support and Slide	
Starter Switch		57365	Assembly	R.H.113783 L.H.113782
5. Glass, Light Diffuser Assembly		113385	Spring Program Holder	114457
6. Heat Shield		113392	16. Shield, Upper	R.H.113763 L.H.113764
Heat Shield, Stereophonic		114357	17. Extrusion, Back Rail (2 used)	113274
7. Back Rail Assembly		113908	18. Top Plate	113287
8. Cover, Amplifier		64979	19. Lock Assembly	69047
9. Light Ballast Assembly		110996	20. Card Holder	113651
10. Heat Shield, Power Supply		114371	Glass, Card Holder	113654
11. Coin Hopper Assembly		113386	Service Card	113849
12. Coin Chute Assembly		113681	21. Extrusion, Door Glass, Lower	113286

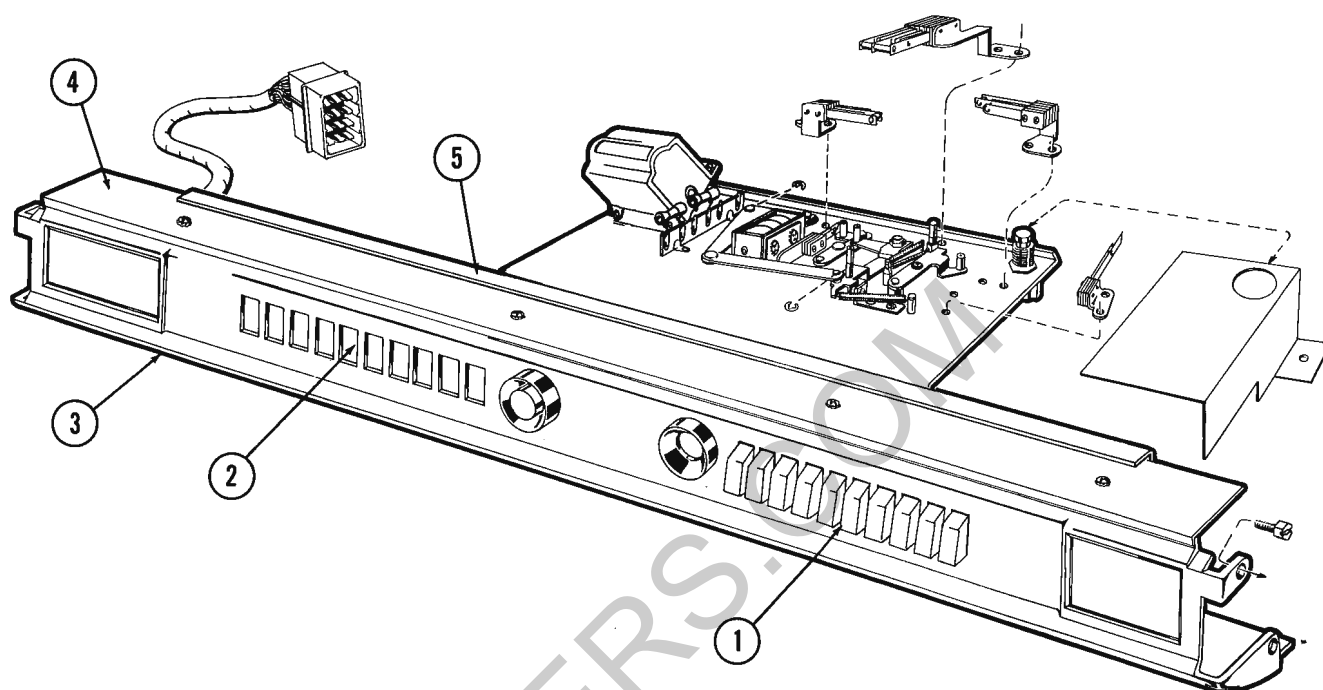


Fig. 100 Selector Switch Assembly

1. Selector Switch, Numbers	114092
Connector Link	113334
2. Selector Switch, Letters	113998
Connector Link	113318
3. Selector Casting	113228
4. Light Shield	114422
5. Mounting Channel	113335

For parts not illustrated or called out on this page refer to Fig. 84, Page 51, Parts Section, 2300-2300S Phono Manual.

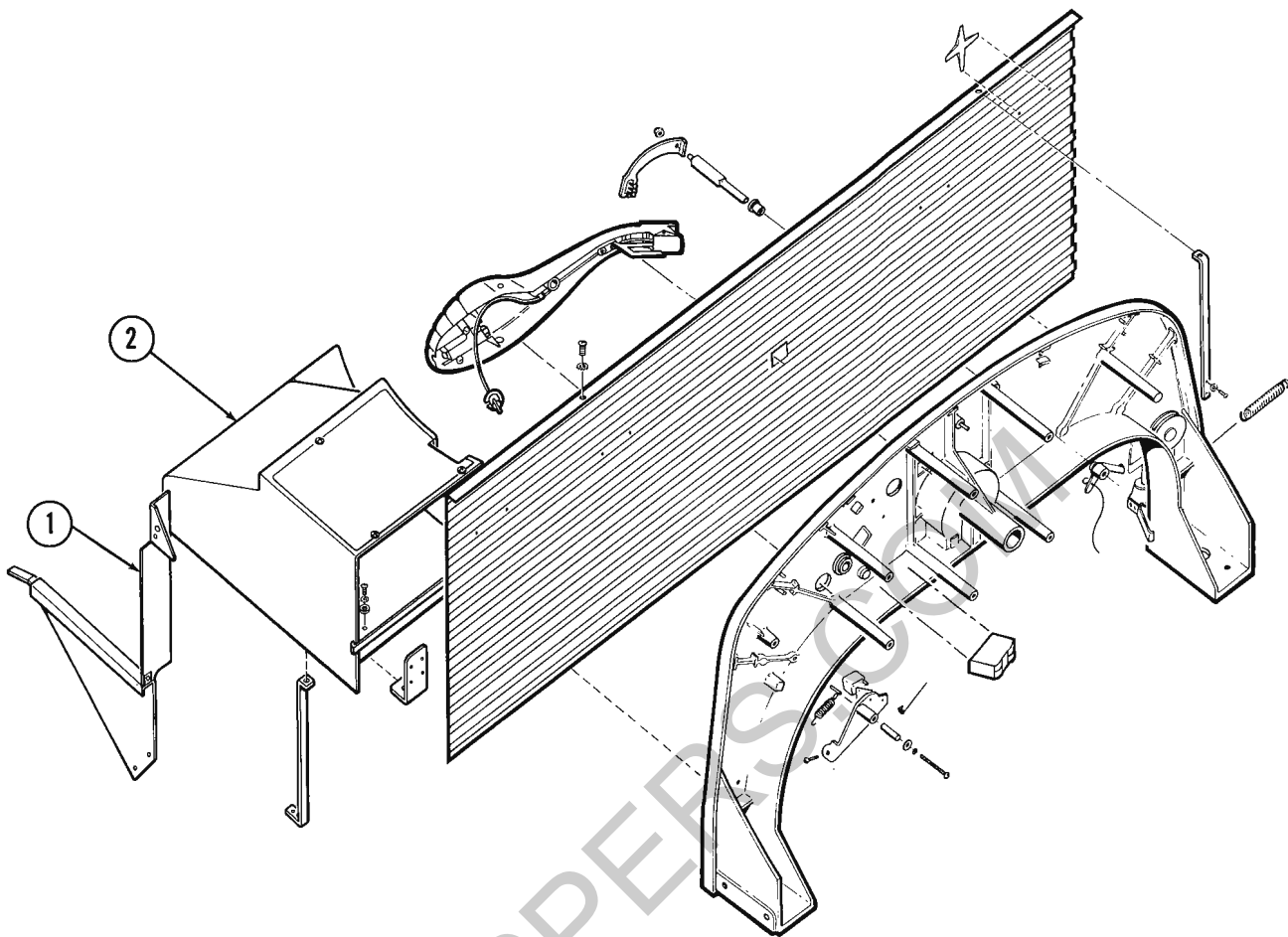


Fig. 101. TOP SUPPORT CASTING ASSEMBLY

- | | | |
|----|--|--------|
| 1. | Shield and Trim Bracket
Assembly, R.H. | 114989 |
| | Shield and Trim Bracket
Assembly, L.H. | 114990 |
| 2. | Decorative Shelf and Decal
Assembly, R.H. | 114291 |
| | Decorative Shelf and Decal
Assembly, L.H. | 114292 |

For parts not illustrated or called out on this page refer to Fig. 86, Page 53, Parts Section, 2300-2300S Phono Manual.

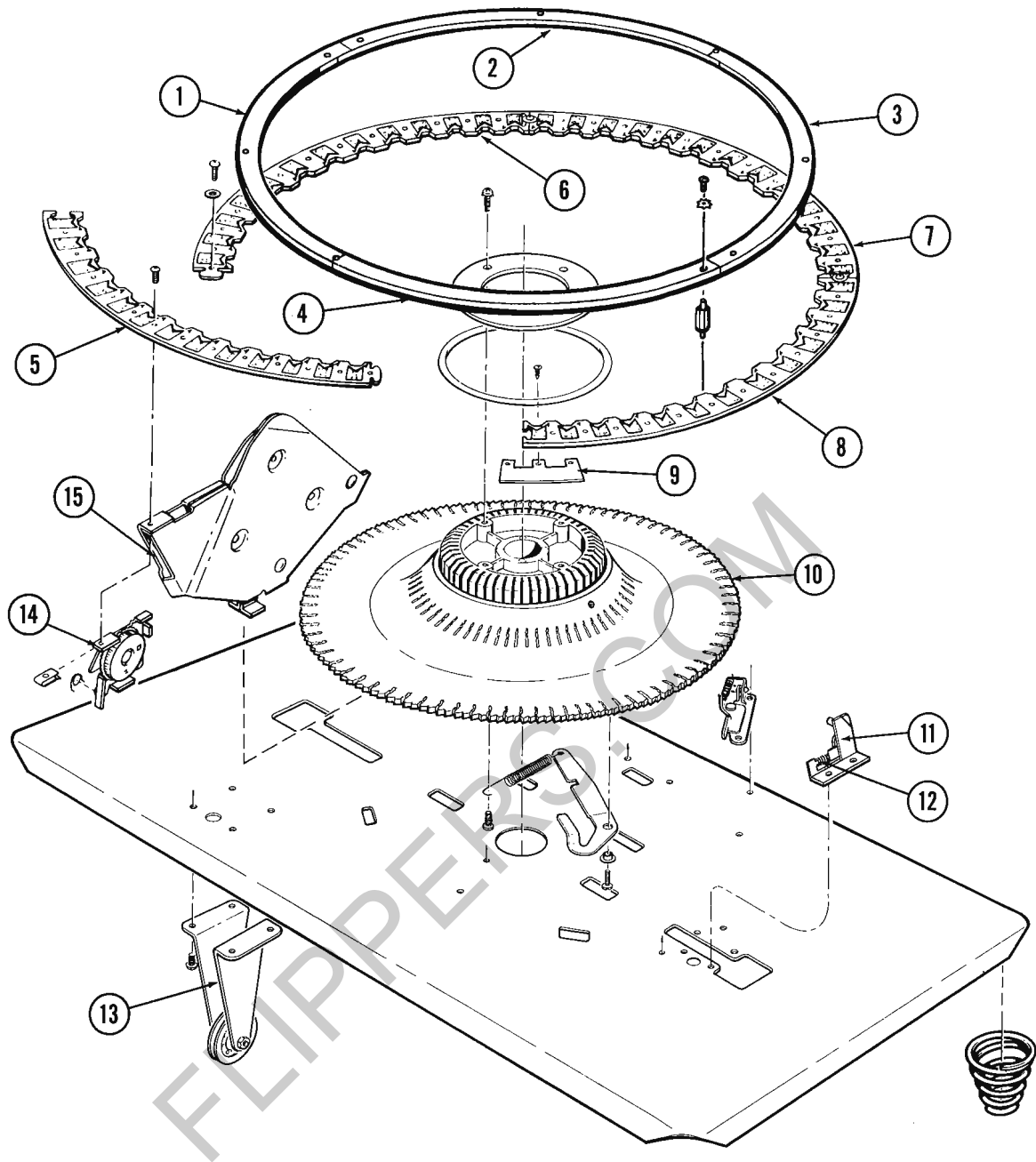


Fig. 102. CHASSIS MOUNTING PLATE AND RECORD CARRIER GROUP

1. Segment, Record Indicator Ring, B1-J7	113717	8. Carrier Ring and Silk Screen Assembly, K0-H6	113411
2. Segment, Record Indicator Ring, J8-G4	113718	9. Connecting Bracket (4)	113387
3. Segment, Record Indicator Ring, G1-D7	113719	10. Casting, Record Carrier	113666
4. Segment, Record Indicator Ring, D8-B4	113720	11. Mounting Bracket and Roller Assembly (2) Lift Arm Guide	60658 59704
5. Carrier Ring and Silk Screen Assembly, A1-C5	113408	12. Spring (2)	60677
6. Carrier Ring and Silk Screen Assembly, E0-C6	113409	13. Bracket and Idler Assembly	59719
7. Carrier Ring and Silk Screen Assembly, H5-F1	113410	14. Record Play Counter (38)	59859, (12) 113687
		15. Record Holder Assembly (50)	59601

For parts not illustrated or called out on this page refer to Fig. 90, Page 56, Parts Section, 2300-2300S Phono Manual.

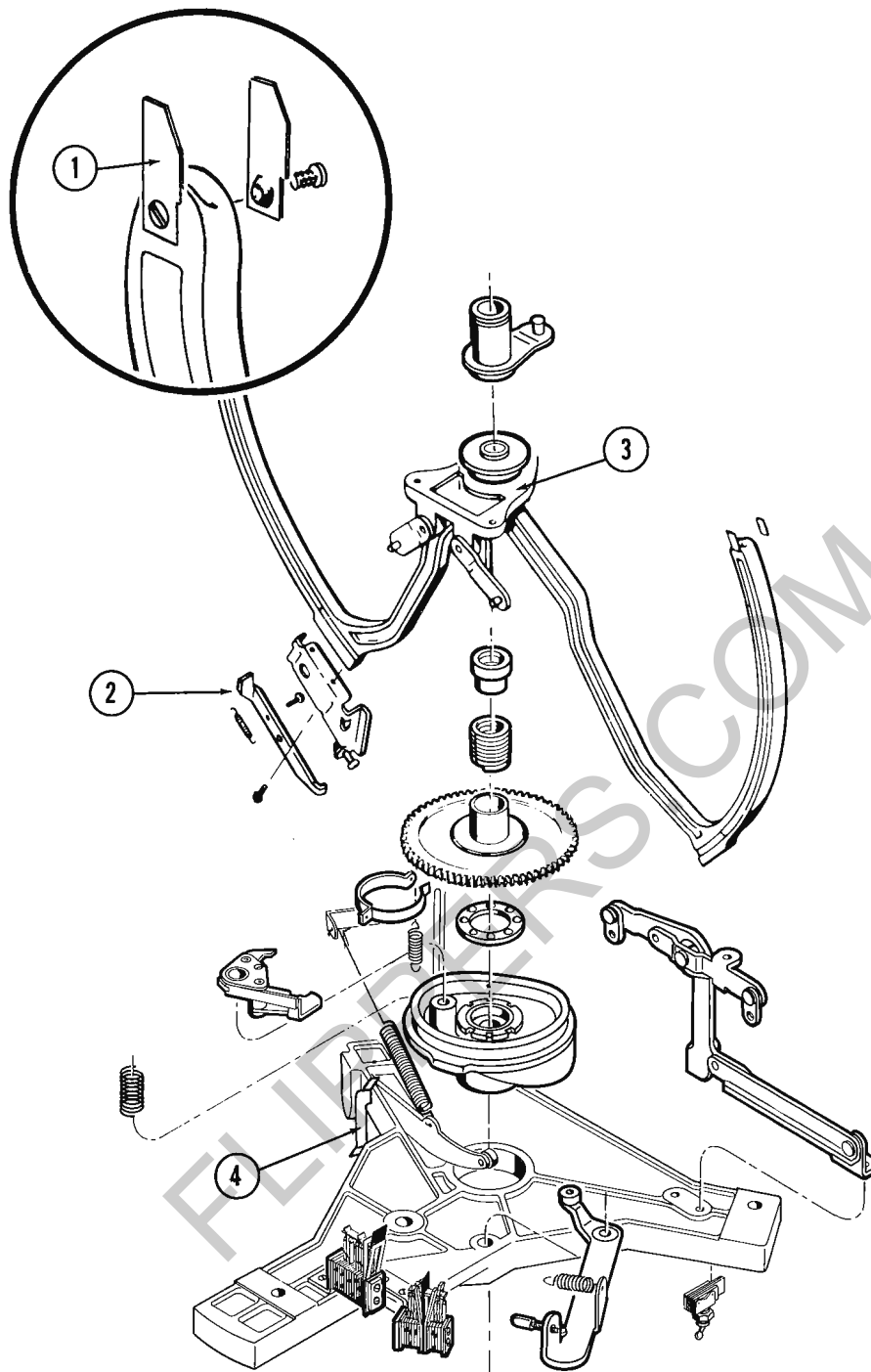


Fig. 103. RECORD LIFT ARM ASSEMBLY

1. Guide Tips , L.H. (2) 60711	R.H.(2) 61484	3. Pivot Casting and Arm Assembly	113215
Screw	73586-2	4. Stop Bracket, Record Lift Arm (2)	113472
2. Bracket and Nut Assembly, Lift Arm Stop	113216	Spacer (5)	115550

For parts not illustrated or called out on this page refer to Fig. 91, Page 57, Parts Section, 2300-2300S Phono Manual.

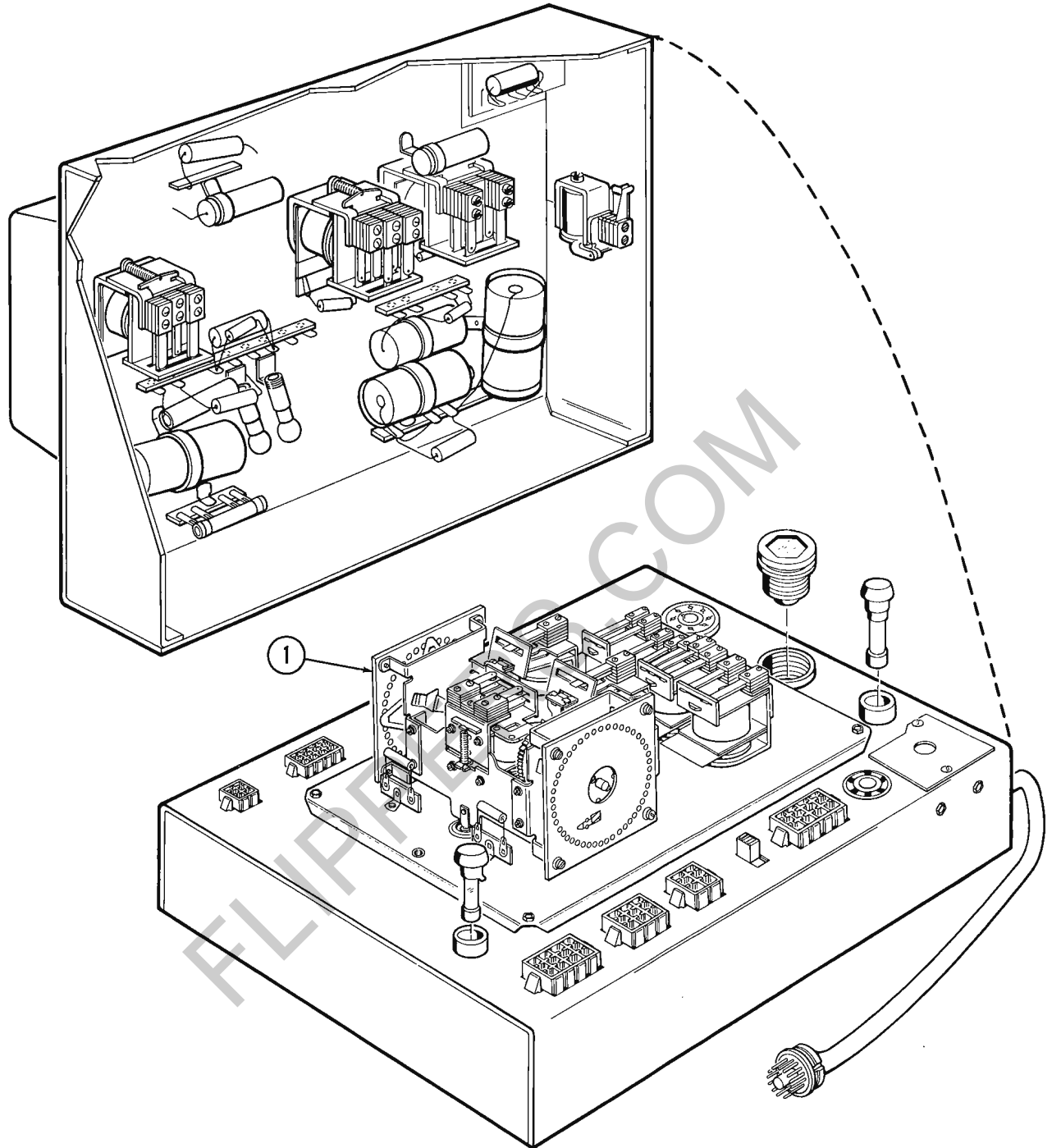


Fig. 104. JUNCTION BOX AND STEPPER UNIT 114263

1. Dual Stepper

114528

For parts not illustrated or called out on this page refer to Fig. 93, Page 59, Parts Section, 2300-2300S Phono Manual.

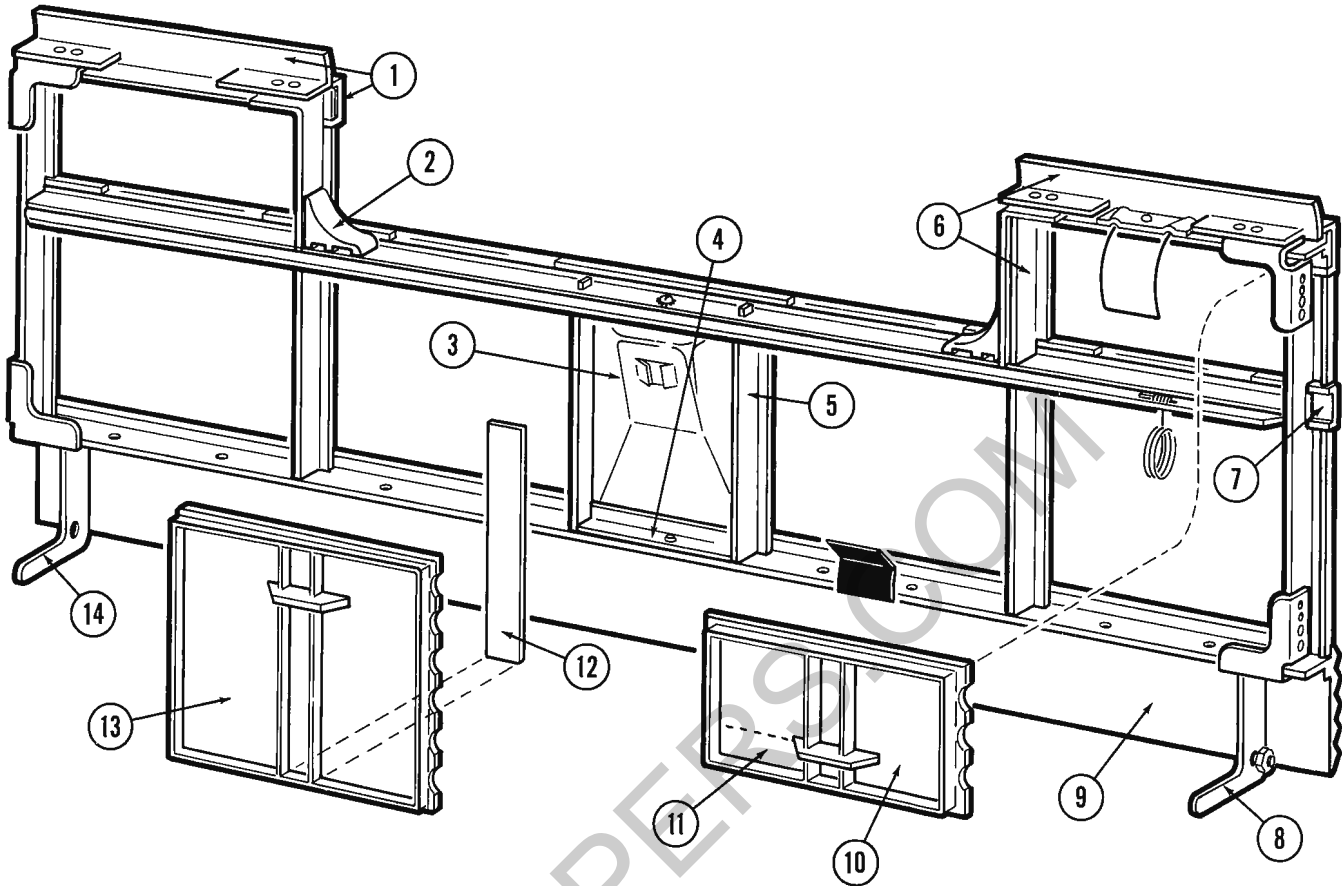


Fig. 105 PROGRAM HOLDER FRAME ASSEMBLY 113913

1. Extrusion and Shield Assembly, R.H.	113911	11. Escutcheon Plate, (3 Stars) (2)	113730
2. Extrusion, Corner (2)	113311	12. Decalcomania	
3. Record Indicator Panel	113645	B1-C0	113592
4. Clamp, Record Indicator	113842	D1-E0	113593
5. Extrusion, Vertical Center (2)	113556	F1-G0	113594
6. Extrusion and Shield Assembly, L.H.	113912	H1-J0	113595
7. Extrusion Assembly, Horizontal	114826	A1-A0	113590
8. Pivot Bracket and Pin Assembly, L.H.	115199	K1-K0	113591
9. Extrusion, Program Holder Frame Bottom	113598	13. Title Strip Holder (4)	113177
10. Title Strip Holder (2)	113362	14. Pivot Bracket and Pin Assembly, R.H.	115200

For parts not illustrated or called out on this page refer to Fig. 97, Page 64, Parts Section, 2300-2300S Phono Manual.

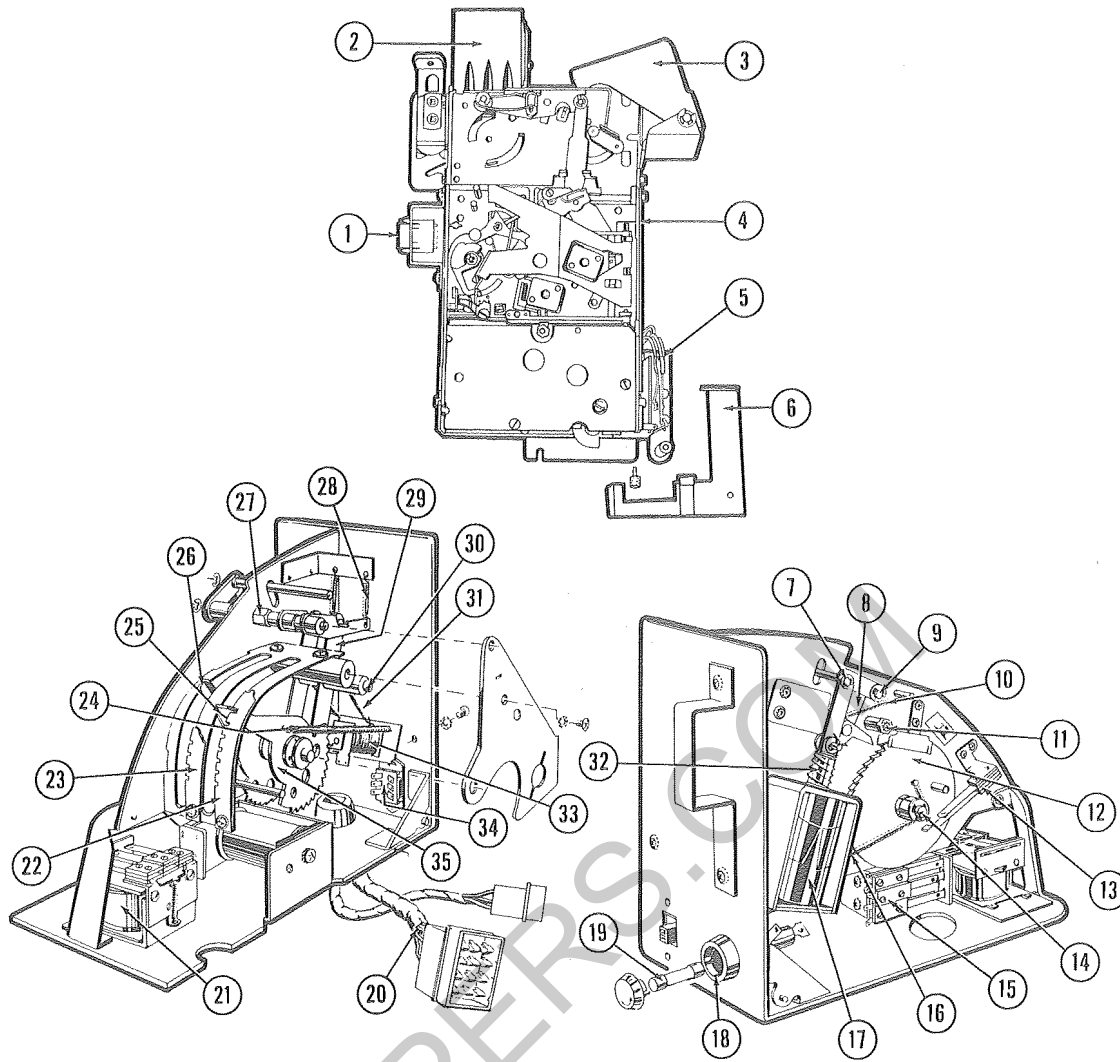


Fig. 82. PLAYRAK AND SLUG REJECTORS

1. Switch, Wire and Plug Assembly	113525	17. Solenoid, Cancel	65069
Socket, 6 Circuit	113528	Plunger (Part of 65069)	65069-1
2. Lower Coin Chute Assembly, Complete	68552	18. Fuse Post	51485
Spring Washer (2 used)	73632-4	19. Fuse 8/10 Amp.	14524
Retaining Ring (2 used)	73724-18	20. Cap, 12 Circuit	113531
3. Pin and Actuator Assembly	113853	Cap, 6 Circuit	113527
Shaft	68300	21. Relay, Pulse	69244
Retaining Ring (2 used)	73724-25	22. Indexing Strip, Dime-Half Dollar	66135
4. Slug Rejector (Only)	69936	Screw, 4-40 x 3/16	73533-1
5. Coin Switch, 10-25-50	68311	23. Indexing Strip, Quarter	66133
6. Angle and Guard Assembly,		24. Spring, Accumulator Wheel (2 used)	66074
Coin Switch	110875	25. Stop Lever and Spring Assembly (Dime,	
Thumb Screw	35745	Half Dollar)	66132
7. Retaining Ring	73724-15	26. Stop Lever and Spring Assembly (Quarter)	66132
8. Pivot Arm and Pawl Assembly	66125	27. Mounting Stud, Lock-out Lever	66049
9. Retaining Ring	73724-21	Hub and Lever Assembly, Lock-out(2 used)	66130
Pivot Pin, Pawl	63623	28. Spring, Lock-out (2 used)	62145
10. Spring, Pawl	62145	29. Lever, Hub and Stud Assembly (2 used)	66129
11. Adjustment Cam	42868	30. Retaining Ring (2 used)	73724-18
12. Cancel Wheel Assembly	66124	31. Spring, Lever, Hub and Stud (2 used)	58781
13. Switch Assembly, Key	66082	32. Spring, Solenoid Return	66072
14. Retaining Ring (2 used)	73724-25	33. Coin Magnet and Bracket Assembly	66128
15. Relay, Timing No. 1	112494	34. Switch	62886
16. Spring, Cancel	66071	35. Accumulator Wheel and Hub Assembly	66131

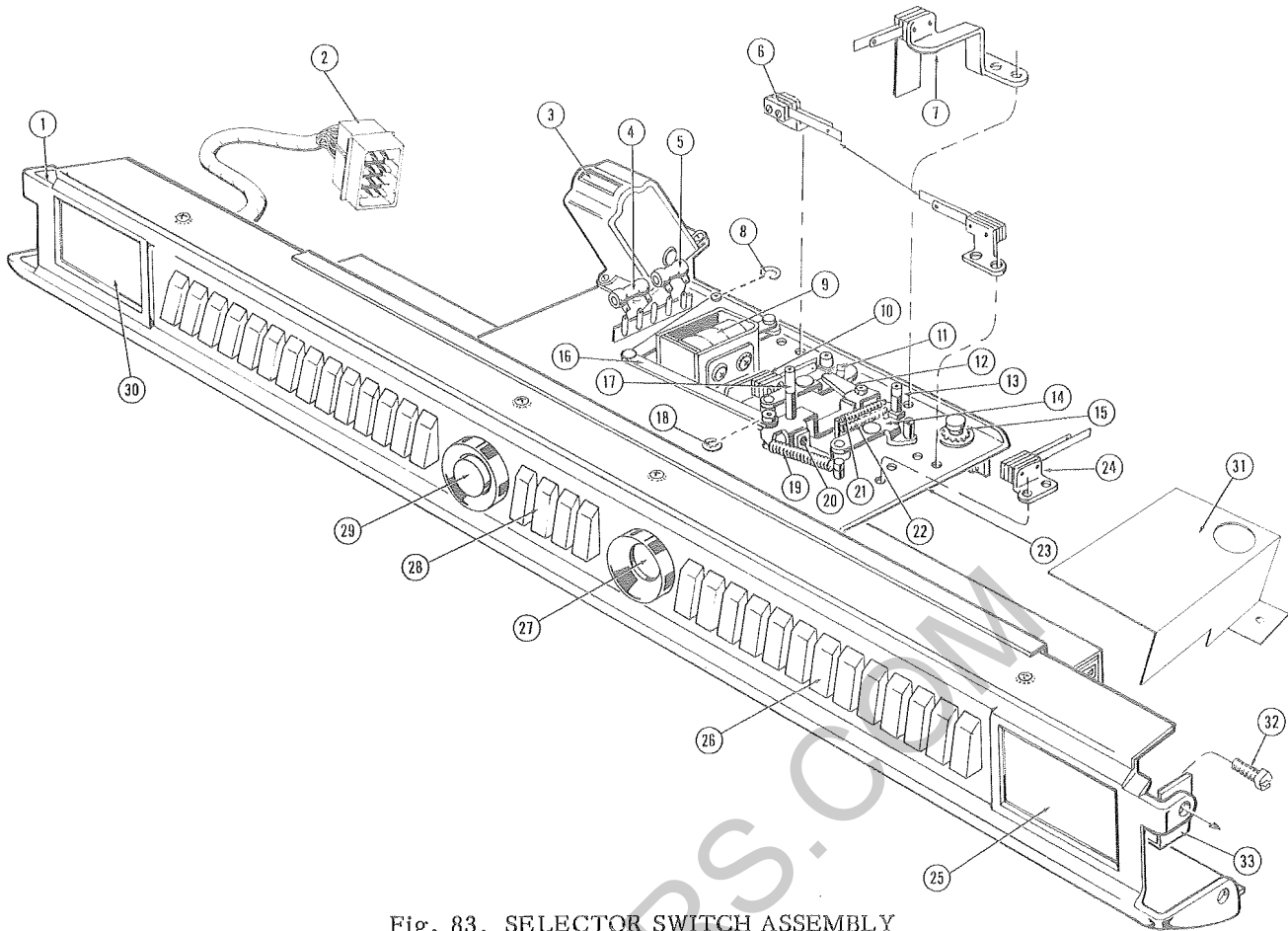


Fig. 83. SELECTOR SWITCH ASSEMBLY

1. Selector Switch Casting	113227	25. Coin Denomination Plate	
2. Cap - 12 Circuit Contacts (20)	113531	(9 Plays Half Dollar, 4 Plays Quarter, 1 Play Dime)	113896
3. Electric Counter	111527	(5 Plays Quarter, 2 Plays Dime, 1 Play Nickel)	113816
4. Resistor, 150 Ohm., 5W	53829	(7 Plays Half Dollar, 3 Plays Quarter, 1 Play Dime)	113814
5. Resistor, 85 Ohm., 5W	71883-2	(10 Plays Half Dollar, 4 Plays Quarter, 1 Play Dime)	113895
6. Switch, Letters and Number Latch (2)	71886-3	Clip Window Retainer (4)	111796
7. Switch, Latch Solenoid	68601	Thumb Screw	112020
8. Retaining Ring	65007	26. Number Buttons, 1 - 26 incl.	62022 to 62047
9. Solenoid Assembly, Latch	73724-18	Selector Switch, Numbers (2)	111665
10. Switch, Number Series	112104	Connector Link, Numbers	112422
11. Pawl, Stud and Spacer Assembly	64982	Adjusting Clip (2)	112417
Shaft, Link and Lever Assembly, Letters	65009	27. Select Casting	68320
Taper Pin (2)	111897	"Select" Blank and Silk Screen	111574
12. Trip Lever and Spacer Assembly	65362	"Select" Backing	69227
13. Pawl, Stud and Spacer Assembly	56714	Light Shield and Bracket Assembly	111748
14. Trip Lever and Spacer Assembly	56712	Light Socket and Wire Assembly	69775
Taper Pin	65010	Panel Lamp #44	24689
15. Switch, Push Type	65100	28. Letter Buttons, A - D incl.	111115 to 111118
16. Crank and Link Assembly	65362	Selector Switch, Letters	111664
17. Release Lever, Stud and Spacer Assembly	56233	Connector Link, Letters	112421
18. Retaining Ring	56713	Adjusting Clip,	112419
19. Spring, Solenoid Retracting	73724-15	29. Reset Casting	113248
20. Rubber Bumper	57130	Reset Button	113246
21. Retracting Spring	54246	Switch and Bracket Assembly, Reset	113830
22. Retracting Spring	57128	30. Instruction Plate, "Select After Each Coin" - "Press Letter and Number"	113817
23. Mounting Plate and Bushing Assembly	57129	31. Guard, Selector Switch Assembly	114994
24. Switch, Letter Series	111713	32. Thumb Screw, Selector Switch Assembly	114407
	64981	33. Channel Shield	115053

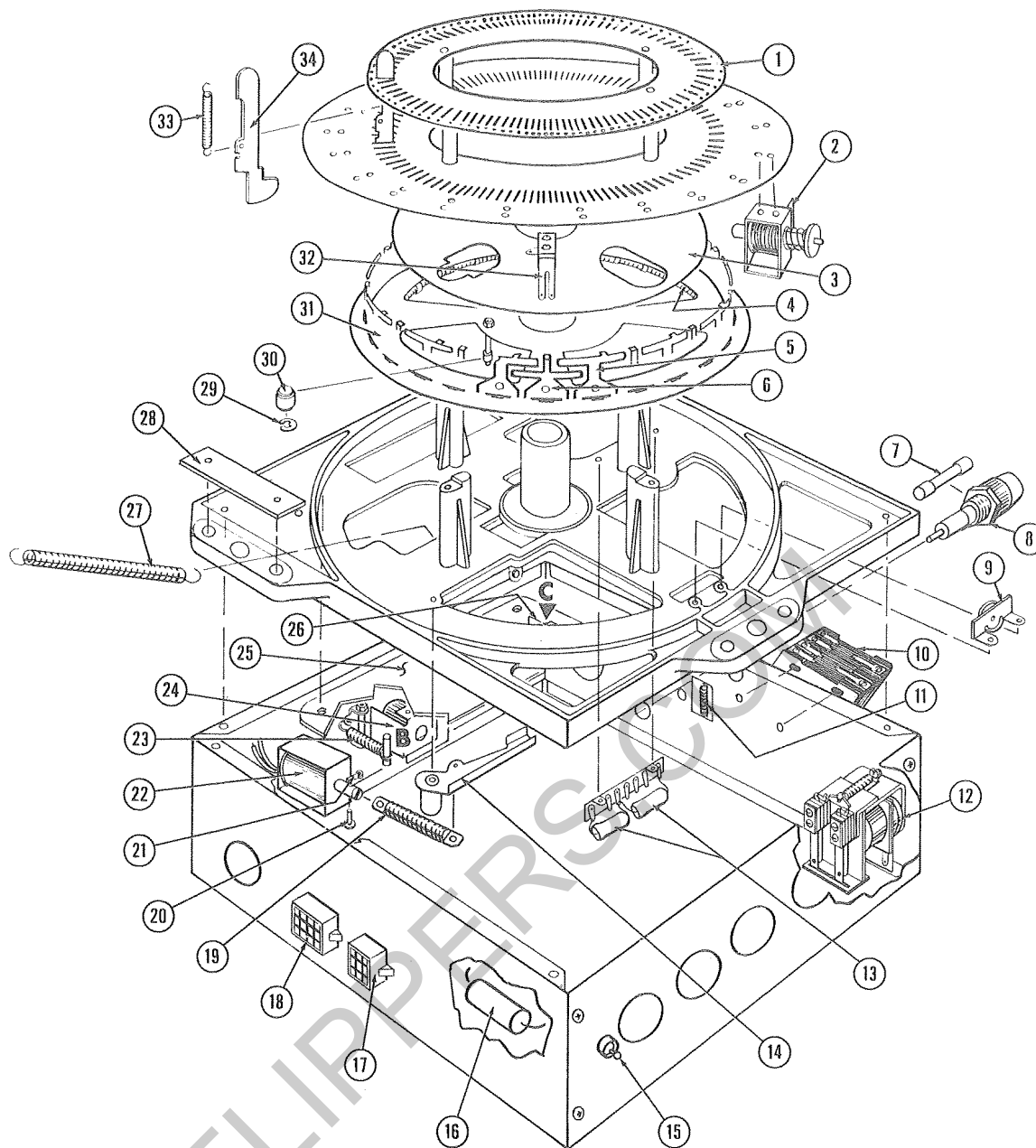


Fig. 84. ELECTRIC SELECTOR

1. Plate and Spacer Assembly	64590	17. Socket, 9 Circuit (2 used)	113530
2. Solenoid, Selector	64602	18. Socket, 12 Circuit (12 used)	113532
3. Wobble Plate and Contact Assembly	64605	19. Spring and Plug Assembly	64783
4. Spring, Selector Rockers	53489	20. Pin	65947
5. Rocker, Long	64619	21. Cotter Pin	23355
6. Rocker, Short	64618	22. Solenoid, Driver	64722
7. Fuse, 4/10 Amp. Fusetron	45509	23. Spring, Stop Arms	64773
8. Fuse Post	45352	24. Magnet and Frame Assembly, R.H. "B"	64650
9. Roller Assembly	64630	25. Mounting Plate and Magnet Assembly	64645
10. Micro Switch, Reversing Switch	61596	26. Magnet and Frame Assembly, L.H. "C"	64651
11. Spring, Reversing Switch	61173	27. Spring Return	64781
12. Timing Relay #2	64711	28. Guide Plate (3 used)	61850
13. Resistor, 50 Ohm, 5W	72986-2	29. Retaining Ring	73724-18
14. Pin, Hub and Arm Assembly	64637	30. Bushing and Roller Assembly	64613
Retaining Ring	73724-18	31. Rotating Plate	64609
Retaining Ring	73724-15	32. Contact Assembly	64601
15. Switch S.P.S.T. Toggle	53648	33. Spring, Latch Pin	57110
16. Capacitor, 150 Mfd., 50V	73889-620	34. Latch Pin, Selector	64606

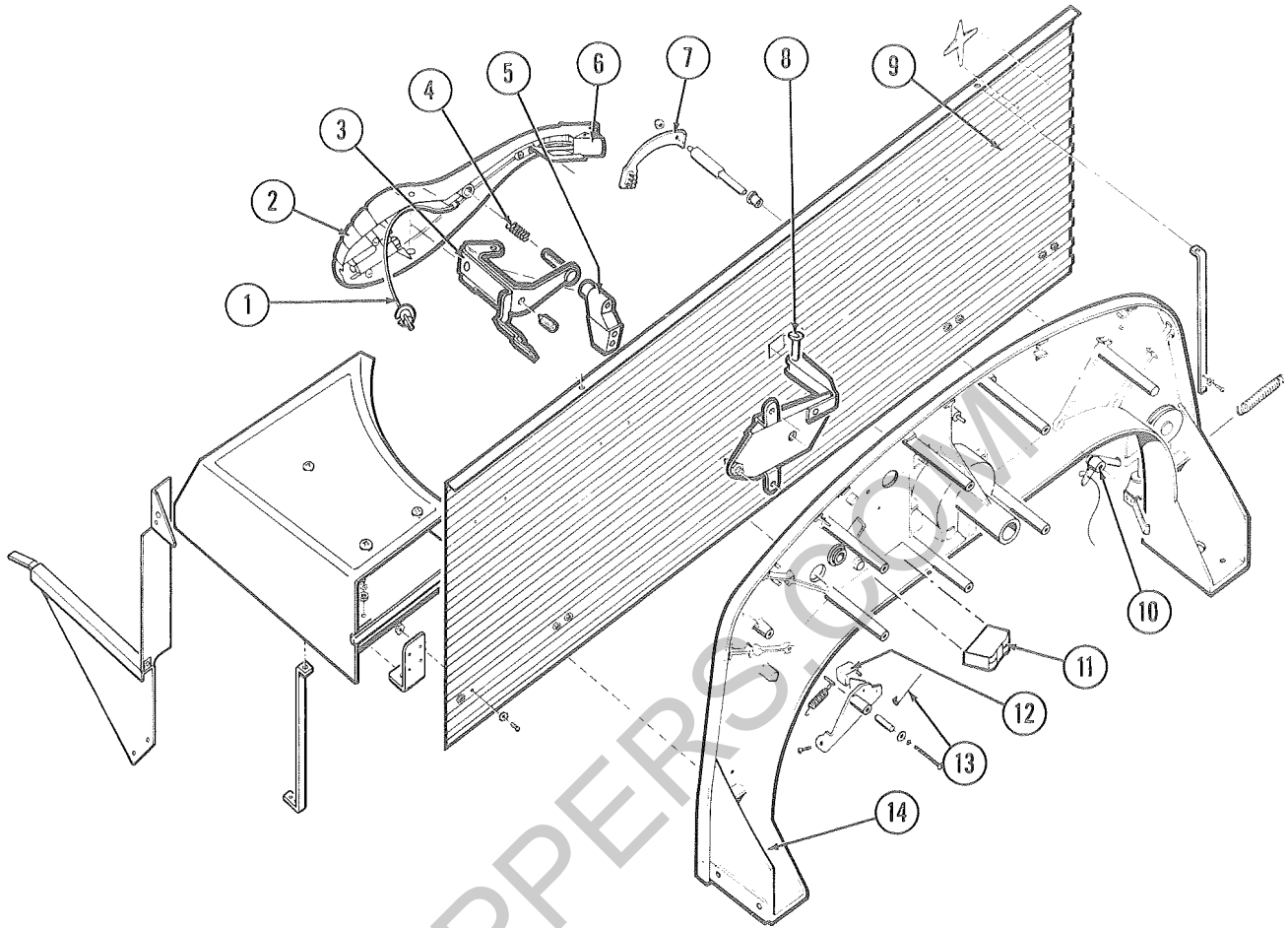


Fig. 85. TOP SUPPORT CASTING ASSEMBLY

1. Wire and Plug Assembly, (Stereo)	114323	Stylus Replacement, Dual 0.7 Mil	
Plug, 4 Prong, (Stereo)	69089	Diamond	115204
Plug, Terminal, Tone Arm	37146	Washer, Rubber (4 used)	59351
Cap, Tone Arm Plug	50149	Washer, No.4 (2 used)	50494
2. Tone Arm	113247	Screw, 4-40 x 5/16" R.H. (2 used)	73503-24
Tone Arm, Assembly, (Stereo)	113319	"Cobra" Cartridge, Green	57525
Tone Arm and Wire Assembly (Stereo)	113320	7. Arm and Brush Assembly	113459
Tone Arm and Wire Assembly	113965	Brush	59830
Tone Arm Sub Assembly (Stereo)	113321	Acorn Nut	50324
Tone Arm and Weight Assembly	113322	8. Tone Arm Stop Pin Assembly	115660
Wire Assembly	59792	Tone Arm Release Bracket and	
3. Gimbal and Stop Nut Assembly	113454	Pivot Assembly	113447
Adjusting Screw	60459	9. Decorative Background Assembly	113208
Pivot Screw	59394	Star (4 used)	113242
4. Spring, Tone Arm Pressure	59711	10. Shaft and Hub Assembly,	
Spring, 3 Turn Base, Tone Arm		Tone Arm Brush	113450
Pressure	114484	Cable, Tone Arm Brush	59888
5. Mounting Casting and Pin Assembly	113457	Cable, Clip No. 7	73804-7
6. Connector, Cartridge (Stereo)	113325	11. Micro Switch, Safety	110557
Cartridge, Sonotone, Dual Sapphire	116725	12. Trip Switch	57851
Stylus Replacement, Dual 0.7 Mil		13. Arm, Trip Switch	59583
Sapphire	114138	14. Support Casting and Bushing Assembly	113199

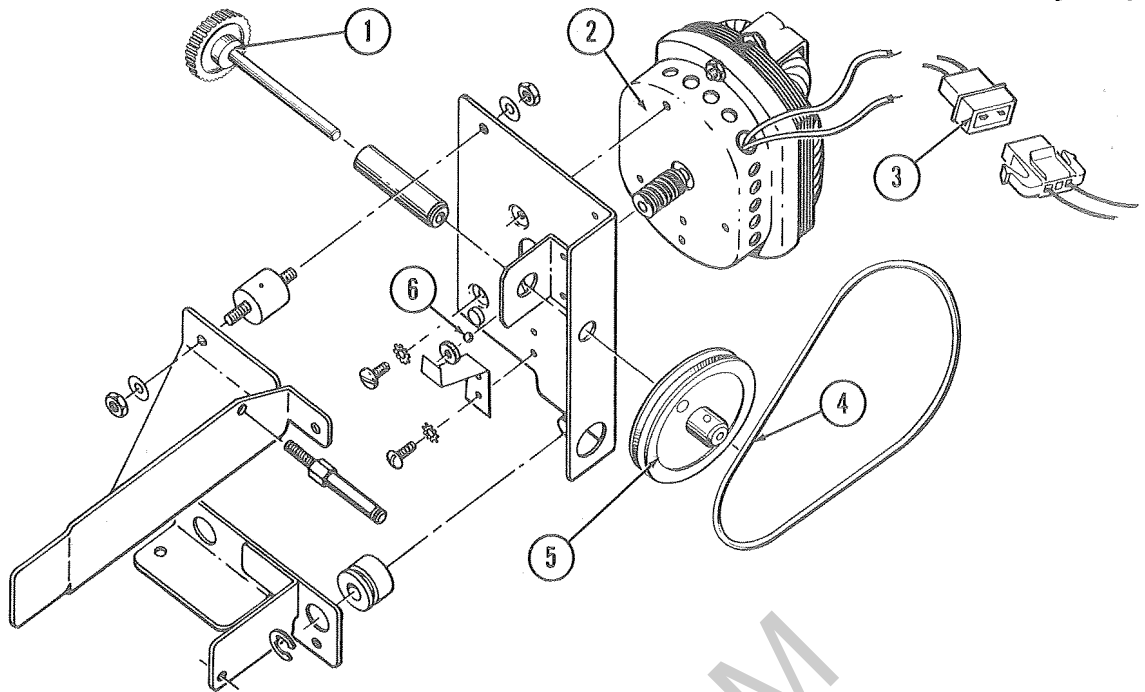


Fig. 86. TURNTABLE MOTOR AND GEAR SHAFT ASSEMBLY

1. Gear and Shaft Assembly	65203	4. "O" Ring, Turntable Drive Motor	60881
2. Turntable Motor and Worm Assembly	60955	5. Pulley, Turntable Drive Motor	64189
3. Socket, 3 Circuit, Turntable Motor Contact (2 used)	111528	6. Steel Ball	25202
	111527	7. Absorbed Oil, 1 pt.	21934A

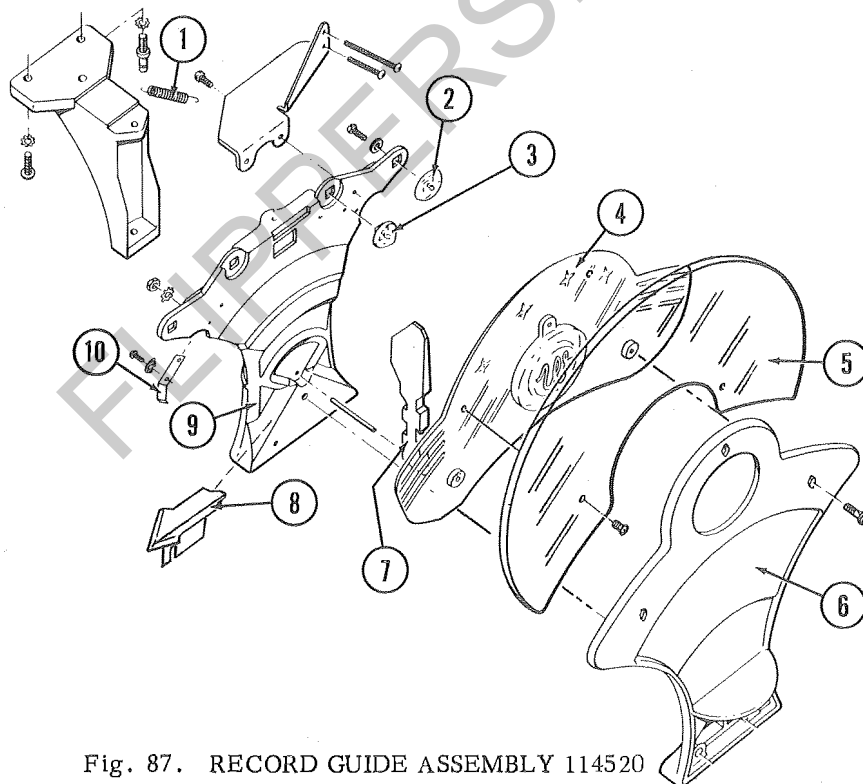


Fig. 87. RECORD GUIDE ASSEMBLY 114520

1. Spring, Return	59606	6. Casting, Front, Record Guide	114087
2. Bumper, Record Guide	59743	7. Track, Record	59425
3. Bumper, Record Guide	59396	8. Record Guide and Bracket Assembly	
4. Plate, Record Guide	59548	L.H. 68375	R.H. 68376
Plate, Record Guide (Stereo)	114508	9. Casting, Rear, Record Guide	59467
5. Overlay, Record Guide (Stereo)	114507	10. Stop Bracket, Track	59434
Screw, 8-32 x 5/16" (2 used)	73787-86		

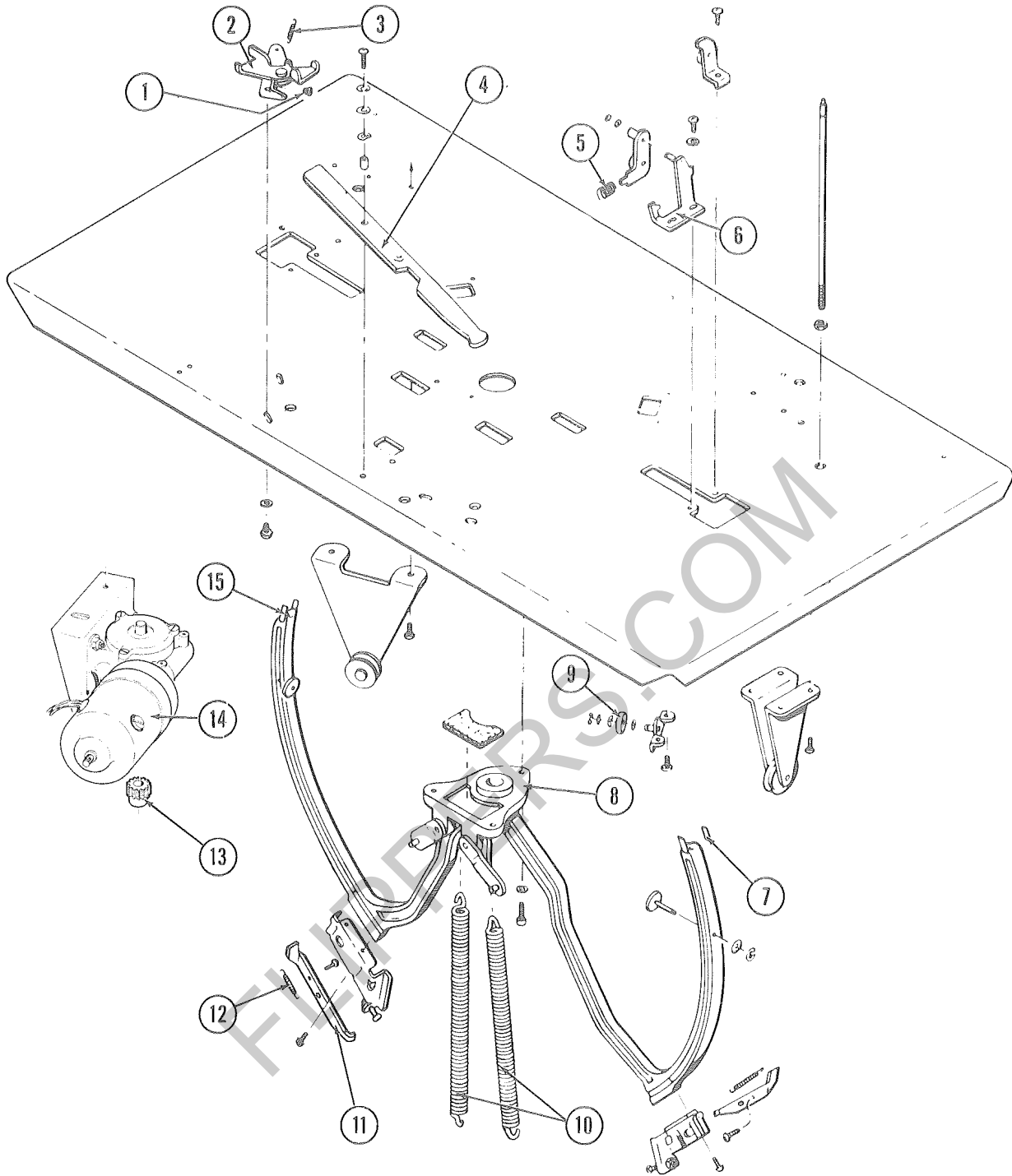


Fig. 90. CHASSIS MOUNTING PLATE, PIVOT CASTING AND ARM ASSEMBLY

1. Bumper, Rubber	54246	8. Pivot Casting and Arm Assembly	113215
2. Back Stop Pawl (2 used)	59575	9. Bearing, Ball	59672
3. Spring, Back Stop Pawl	59710	10. Spring, Record Lift Arm, (2 used)	59697
4. Hub and Lever Assembly	59793	11. Bracket and Nut Assembly	113216
5. Spring, Roller Arm	60677	12. Spring, Actuator, Playmeter (2 used)	59894
6. Mounting Bracket and Pin Assembly	60657	13. Pinion	59621
7. Guide Tip, R.H. (2 used)	61484	14. Motor and Pinion Assembly	113791
Lock Washer #2 ctsk. (4 used)	73586-1	15. Guide Tip, L.H. (2 used)	60711
Screw, 2-56 x 3/16" F.H. (4 used)	73586-2	16. Alvania Grease, 4 oz. Jar	55206A

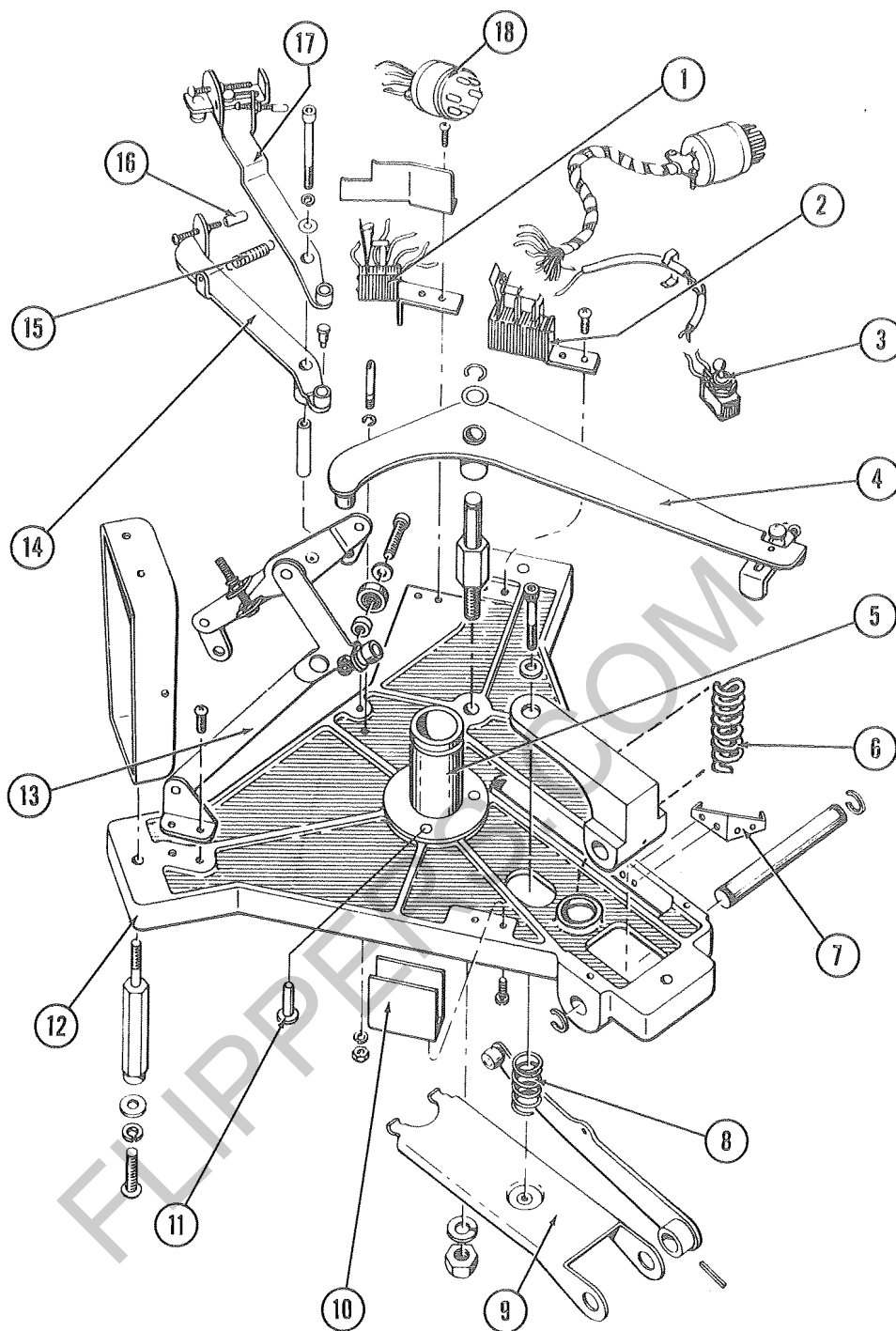


Fig. 91. CHASSIS FRAME CASTING AND SHAFT ASSEMBLY

1. Mute and Play Switch and Bracket Assembly	65170	10. Bracket, Guide	110004
2. Transfer Switch and Bracket Assembly	59569	11. Rivet (3 used)	60481
Over-center spring only	59569-1	12. Casting, Chassis Frame and Bushing	59552
3. Switch Toggle - S.P.S.T.	53648	Assembly	59599
4. Lever Assembly, Record Clamp	59688	13. Link and Lever Assembly, Record Arm	62761
5. Shaft, Plate, and Bushing Assembly	59549	14. Actuator Arm Assembly	62773
6. Spring	65809	15. Spring, Mute and Play Lever	58255
7. Stop Bracket, Record Actuator Arm	61461	16. Actuator, Nylon	113299
8. Spring, Cancel Arm	59582	17. Actuator Arm Assembly, Transfer Switch	113330
9. Cancel Arm, Lower Assembly	59661	18. Muting Plug & Wire Assembly	

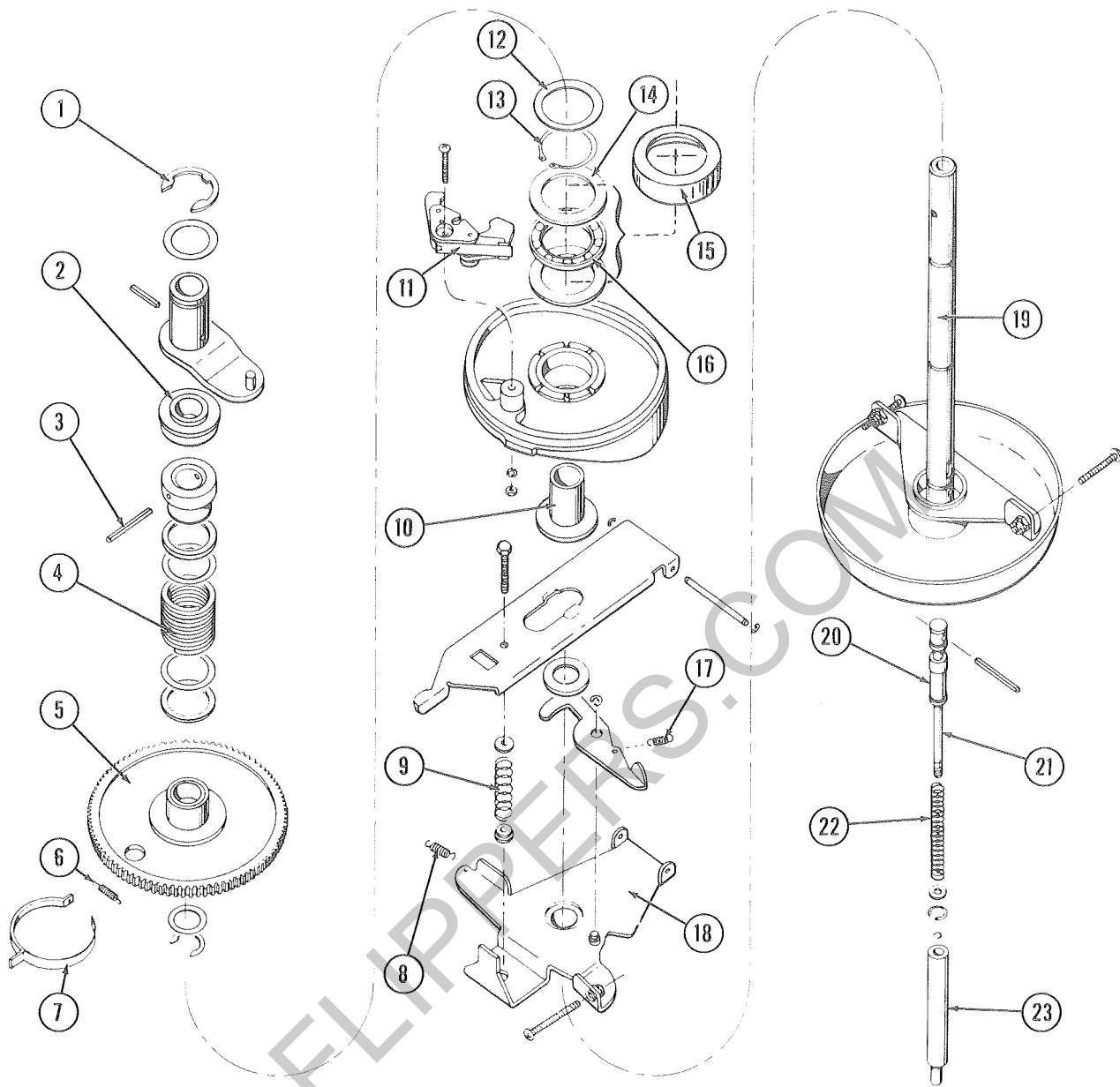


Fig. 92. SELECTOR SHAFT ASSEMBLY AND MAIN CAM AND BUSHING ASSEMBLY

1. Retaining Ring	73724-87	12. Washer	110077
2. Ball Bearing, Selector Shaft	59654	13. Retaining Ring	73727-112
3. Roll Pin	73782-88	14. Washer (2 used)	59641
4. Spring, Selector Drive Clutch	59584	15. Oil Guard	66580
5. Gear and Ratchet Wheel Assembly	59732	16. Ball Race, Main Cam Shaft	59637
6. Spring, Friction Drive Gear	59612	17. Spring, Release Arm	59613
7. Strap and Spring Assembly Friction Drive Pawl	59626	18. Mounting Plate Assembly	59516
8. Spring, Kick off	59614	19. Selector Shaft and Clutch Assembly	59666
9. Spring, Selector Crank	57107	20. Actuator and Plunger Assembly	115144
10. Sleeve, Cancel Arm	59657	21. Actuator (late run)	115143
11. Pawl Assembly	59537	22. Spring Selector Shaft Plunger	59609
		23. Actuator (early run)	59642

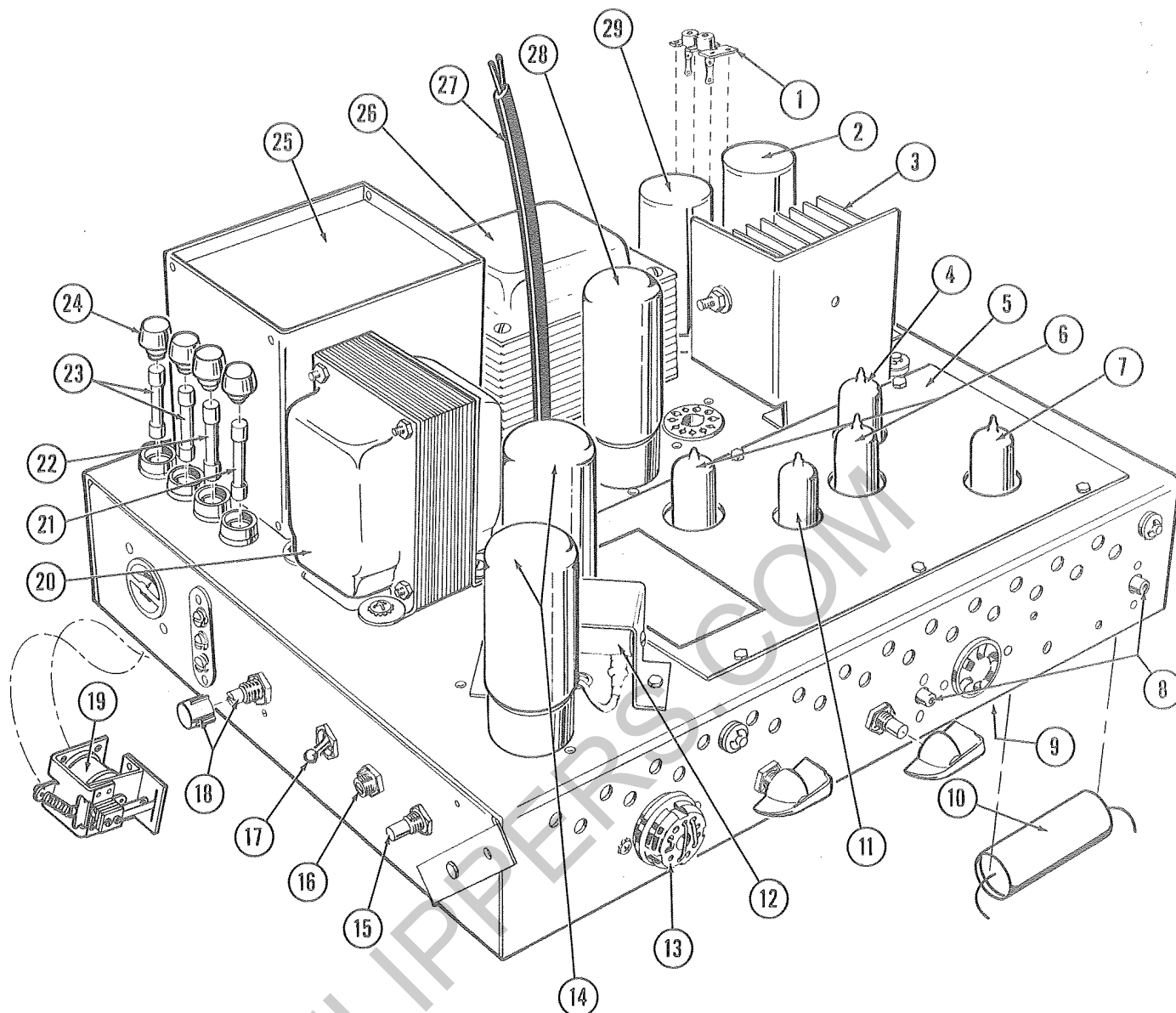


Fig. 93. AMPLIFIER MODEL 536

1. Receptacle, Dual Single Prong	113420	14. Tube, 6L6G	28157
2. Electrolytic Capacitor	73475	15. Switch, Cancel	68770
3. Rectifier, Selenium	115209	16. Volume Control	64996
4. Tube, 6AN8	64914	17. Switch, Power	48836
5. Cover Plate and Silk Screen Assembly	113976	18. Switch, Fader	62507
6. Tube, 12AX7	58427	Seal Cap, Plastic, Fader Switch	115866
7. Tube, 12AU7A	58420	19. Relay	56321
8. Socket, Single Prong (2 used)	43341	20. Transformer, Output	62430
9. Floating Chassis Assembly, for Service	114617A	21. Fuse, 15 Amp.	52196
Potentiometer	64880	22. Fuse, 8 Amp.	15845
Isolator (4 used)	15137	23. Fuse, 2 Amp. (2 used)	56325
10. Capacitor, 2 Mfd, 50W.V.(underneath)	73876	24. Fuse Post (4 used)	51485
11. Tube, 6AU6	64858	25. Transformer, Amplifier	112631
12. Bracket and Resistor Assembly	68771	26. Transformer, Low Voltage	112632
Resistor, 1650 Ω 15W, 9000 Ω 10W	70897	27. Line Cord	67464
13. Plug and Wire Assembly, Shorting	65462	28. Tube, 5U4GB	62742
		29. Electrolytic Capacitor	73474

FOR ADDITIONAL PARTS SEE MODEL 536 AMPLIFIER SCHEMATIC FIG. 77, PAGES 41-42

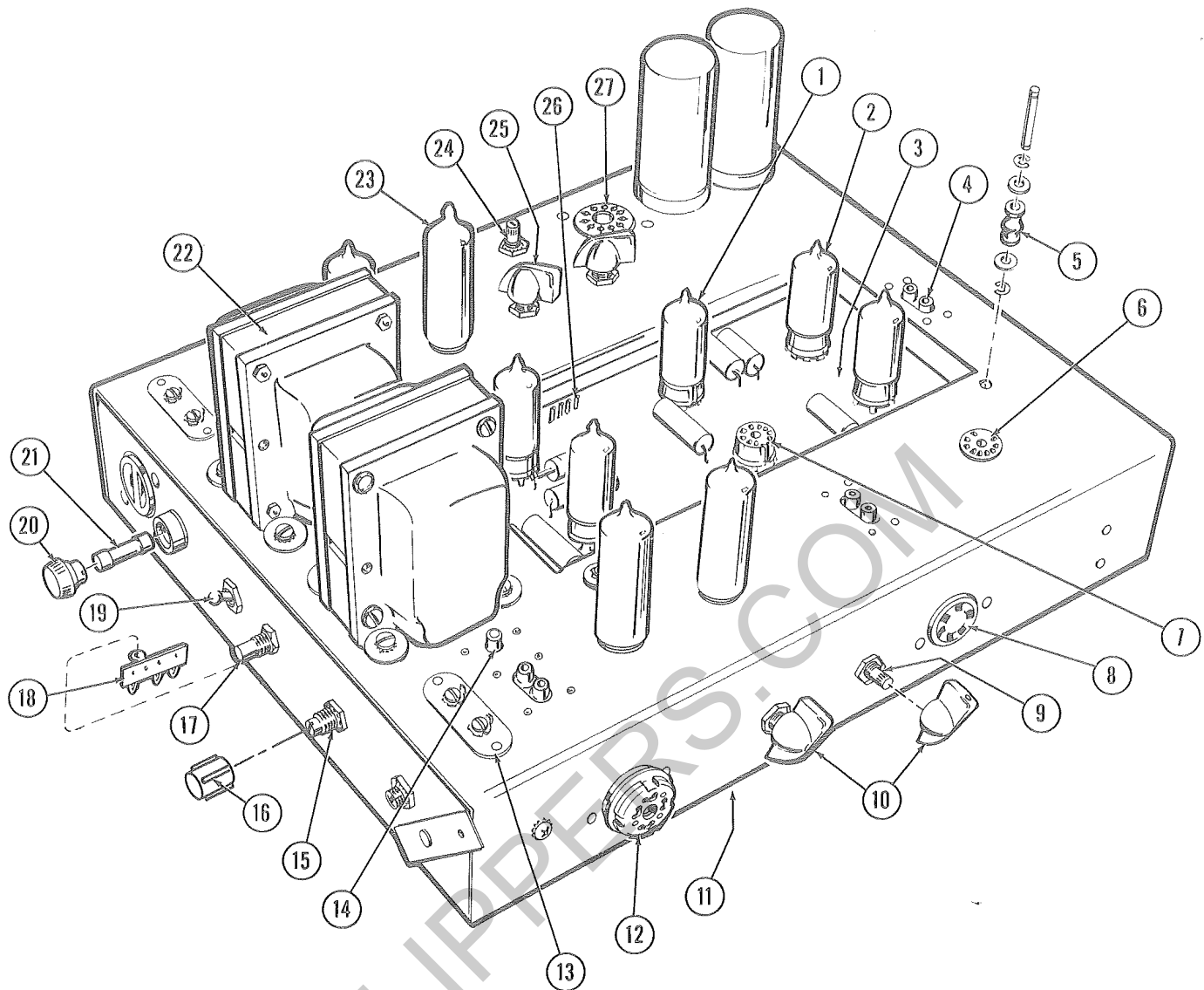


Fig. 94. AMPLIFIER - MODEL 534

1. Tube, 12AU7A (RCA only, 2 used)	58420	13. Insulated Mounting Strip (2 used)	18831
2. Tube, 7025 (2 used)	114046	14. Socket, Single Prong	43341
3. Printed Board Assembly	114345	15. Switch, Dual Fader	113936
Printed Board, Punched	114298	16. Seal Cap, Plastic Fader Switch	115866
4. Receptacle, Dual Single Prong	113420	17. Switch, Oak Type 175	68770
5. Isolator (4 used)	15137	18. Insulated Mounting Strip, 3 Lugg	20812
6. Socket, 9 Prong Miniature (5 used)	58425	19. Switch, Toggle, S.P.S.T.	53648
7. Socket, 9 Prong Miniature (6 used)	64920	20. Fuse Post	51485
8. Socket, 6 Prong	32881	21. Fuse, 15 Amp.	52196
9. Switch, Tone Control (4 used)	64857	22. Transformer, Audio	114259
10. Knob, Red (2 used)	114527	23. Tube, 6973 (4 used)	114048
11. Mounting Bracket and Terminal		24. Potentiometer, Balance Control	114463
Strip Assembly (underneath)	114412	25. Knob, Black (3 used)	20263
12. Plug and Wire Assembly, Jumper	114489	26. Pin Terminal (32 used)	65063
Socket, 11 Prong	38492	27. Socket, 12 Prong, Amphenol	114325

FOR ADDITIONAL PARTS SEE MODEL 534 AMPLIFIER SCHEMATIC Fig. 80, PAGES 43-44.

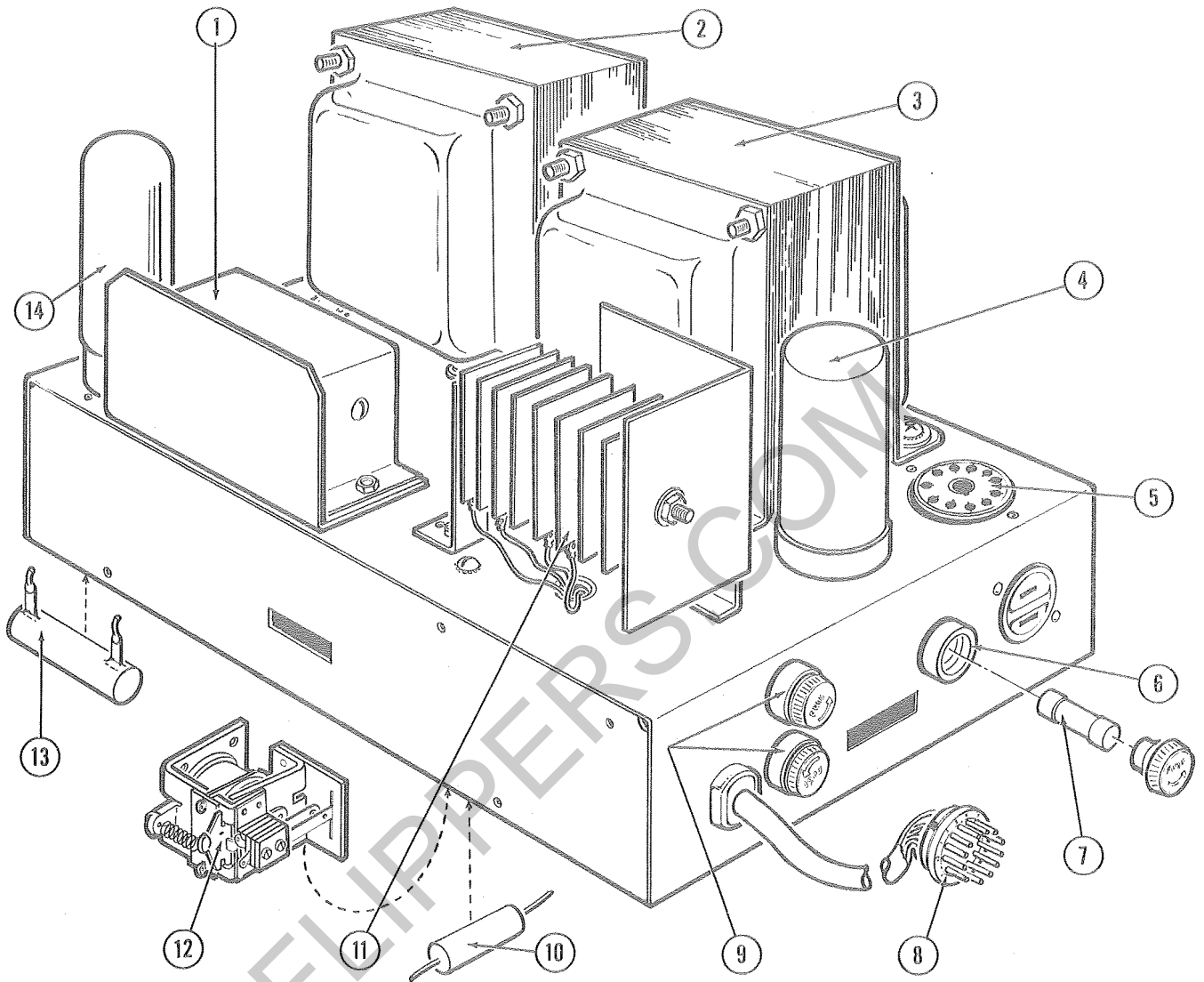


Fig. 95. POWER SUPPLY FOR MODEL 534 STEREO AMPLIFIER

- | | | | |
|----------------------------------|--------|-----------------------------|----------|
| 1. Bracket and Resistor Assembly | 68771 | 8. Plug, 12 Prong, Amphenol | 114324 |
| Resistor, 1650 -15W, 9K-10W | 70897 | 9. Fuse, 2 Amp (2 used) | 56325 |
| 2. Transformer, Amplifier | 114129 | 10. Capacitor, .1 Mfd, | |
| 3. Transformer, Low Voltage | 114130 | 200 V D.C. | 71195-14 |
| 4. Filter, Condenser | 73475 | 11. Selenium Rectifier | 64500 |
| 5. Socket, 11 Prong | 38492 | 12. Relay, Over-ride | 56321 |
| 6. Fuse Post (3 used) | 51485 | 13. Resistor, 65 Ohms, 10W | 73482-2 |
| 7. Fuse, 8 Amp | 15845 | 14. Tube, 5U4GB | 62742 |

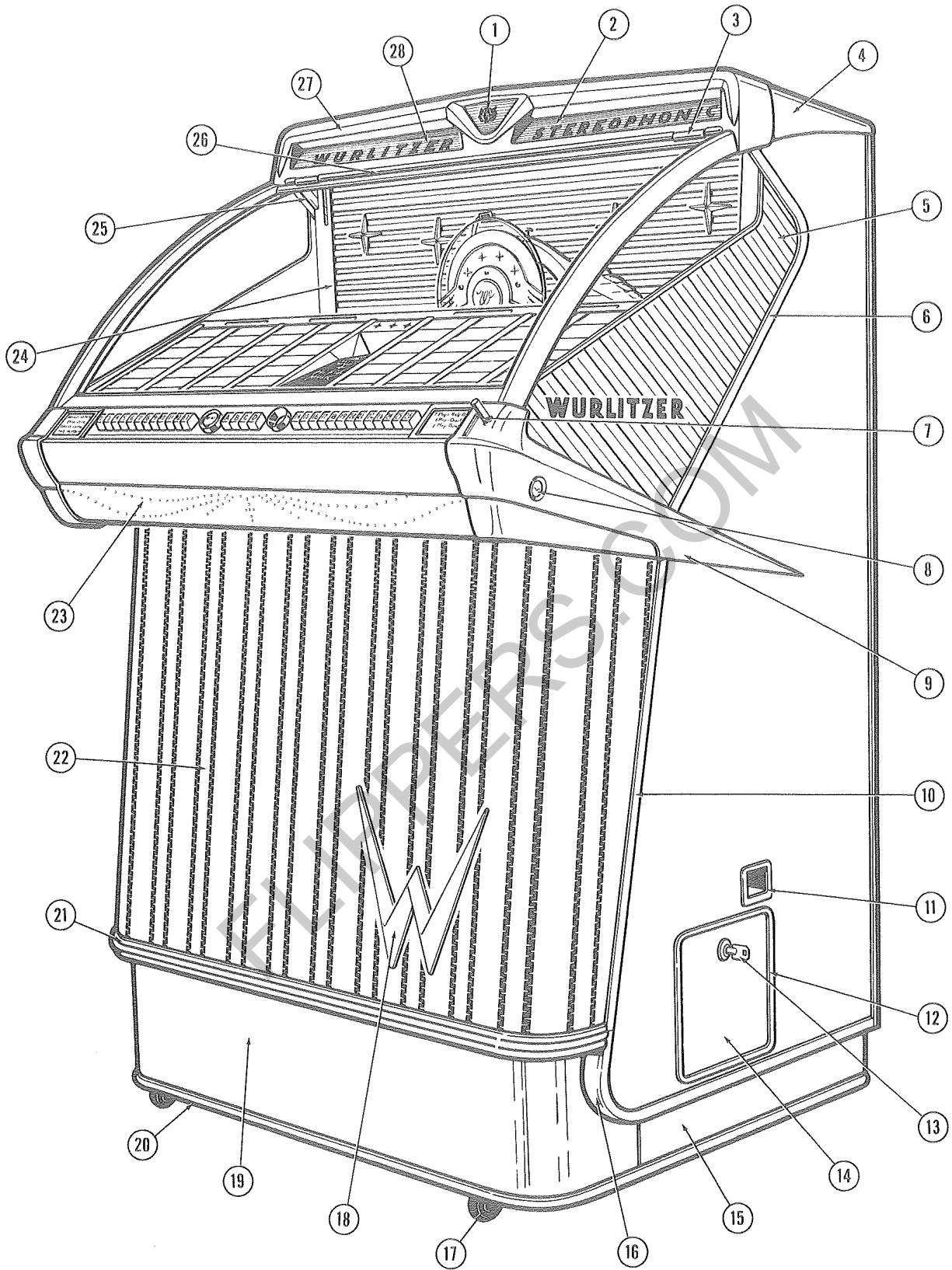



Fig. 96. TRIM AND MOUNTING - FRONT VIEW



1. Medallion		113183	15. Cover, Cabinet Base, Side (2 used)	113236
Clamp (2 used)		113288	16. Extrusion, Side	R.H. 113267 L.H. 113268
2. Glass, Upper Casting, Hifidelity	R.H.	113275	17. Caster	110680
Glass, Upper Casting,			18. "W" Casting	113175
Stereophonic	R.H.	113754	19. Cover, Cabinet Base, Front	113237
Gasket, Bulk (Specify Length)		64510	20. Extrusion, Bottom	113277
Extrusion, Glass Clamp	R.H.	113628	21. Extrusion, Lower Grille	113278
Glass Clamp, Lower	L.H.	113632	22. Grille Screen	113289
3. Hinge Pin (2 used)		113900	23. Grille Plate	113370
4. Top Casting	R.H. 113225	L.H. 113224	24. Shield and Support Assembly	
5. Side Glass	R.H. 113298	L.H. 113297		R.H. 114985 L.H. 114986
6. Extrusion, Side			25. Fall Support Assembly	113787
Glass	R.H. 113234	L.H. 113235	26. Extrusion, Upper, Door Glass	113290
7. Reject Button		113327	27. Top Casting, Center	113223
Lever and Bracket Assembly		113854	28. Glass Upper Casting	L.H. 113276
Spring, Torsion		113906	Extrusion, Glass Clamp	113629
8. Lock Assembly (2 used)		113241		
Lock Strike Assembly				
	R.H. 113746	L.H. 113744		
Key RW90		67478		
9. Cheek Casting	R.H. 113222	L.H. 113221		
10. Grille Extrusion,				
Side	R.H. 113271	L.H. 113272		
11. Coin Return Cup		68192		
Guard Bracket Assembly		68725		
12. Frame, Coin Box Door		113265		
13. Lock and Key, Coin Box		113291	Fuse, 15 Amp.	52196
14. Coin Box Door		1058541	Fuse, 2 Amp.	56325
Coin Bag		62670	Fuse, 8/10 Amp.	14524
Bracket		65213	Fusetron, 4/10 Amp.	45509
Catch Plate, Lock		113266	Fuse, 8 Amp.	15845

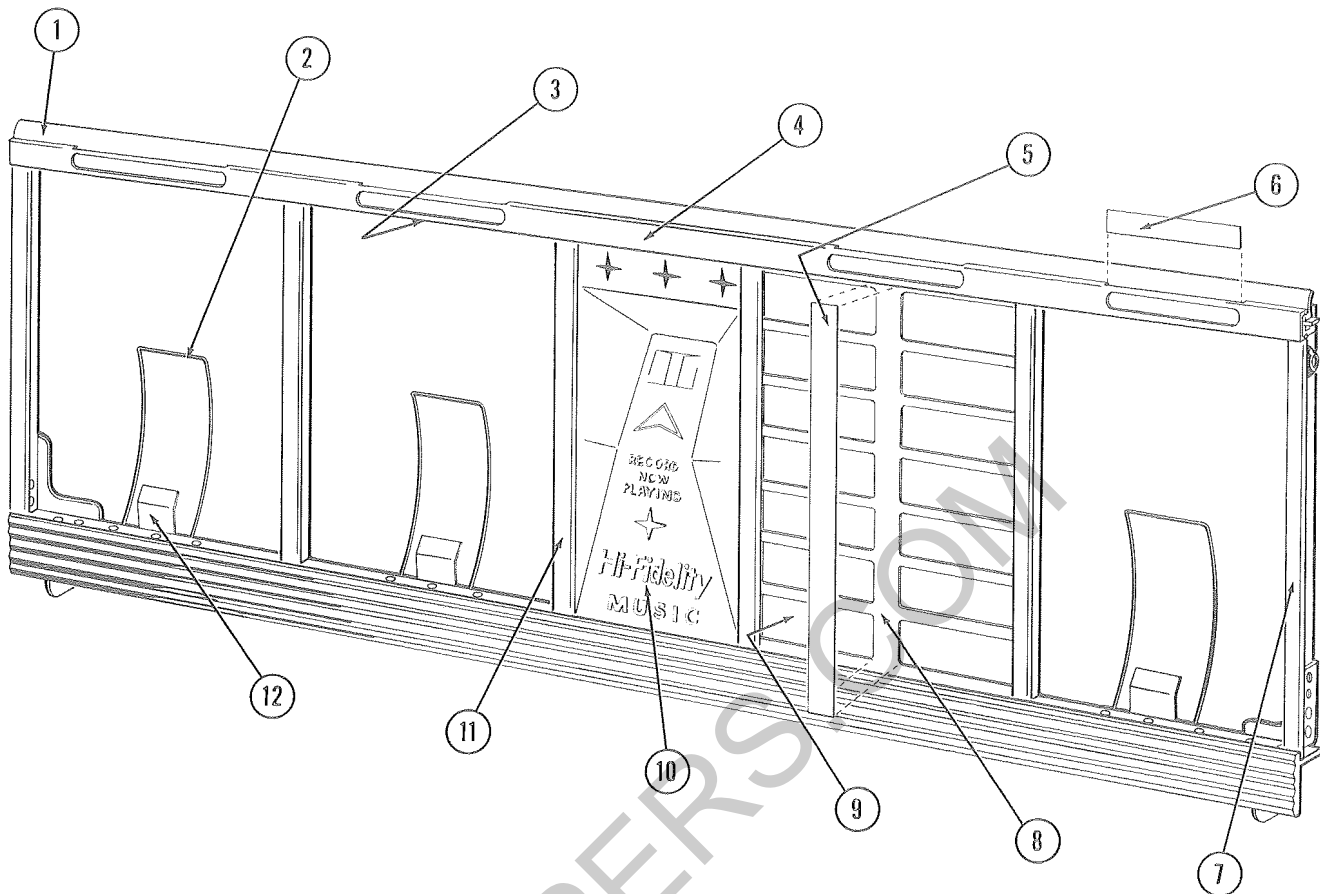


Fig. 97. PROGRAM HOLDER

1. Extrusion, Top Shield	113496	Classifications Slip, (2 used)	
2. Spring, Program Holder (4 used)	113700	Todays Top Tunes	113819
3. Extrusion, Top Inside	113463	7. Extrusion Vertical End (2 used)	113461
4. Extrusion, Top Outside	113367	8. Title Strip Holder (4 used)	113179
5. Decal, A1 - A26	113499	9. Escutcheon, (Make Selections until	
Decal, B1 - B26	113500	Light Goes Out)	113831
Decal, C1 - C26	113501	Escutcheon, (Bent Coin Return	
Decal, D1 - D26	113502	Plunger Located Beside Coin	
6. Classifications Slip, E.P. Show Albums	113824	Entry)	113834
Classifications Slip, Country and		Escutcheon, (You Get Bonus Tunes	
Western	113820	for Each Half Dollar)	113832
Classifications Slip, Rhythm and		Escutcheon, (Your Favorite Record-	
Blues	113821	ing Artists Offer the Music of	
Classifications Slip, Rock and Roll	113822	Your Choice)	113848
Classifications Slip, New Pop Records	113823	10. Record Indicator Panel	113617
Classifications Slip, Classical and		Clamp, Record Indicator Panel, Top	113842
Old Favorites	113826	Clamp, Record Indicator Panel,	
Classifications Slip, Jazz and Novelty	113827	Bottom	115179
Classifications Slip, Polkas and		11. Extrusion, Vertical Center (4 used)	113462
Waltzes	113828	12. Clamp, Program Holder (4 used)	113699
Classifications Slip, (4 used)		Spring Clamp, Program Holder	
Wurlitzer Music	113818	(4 used)	113697

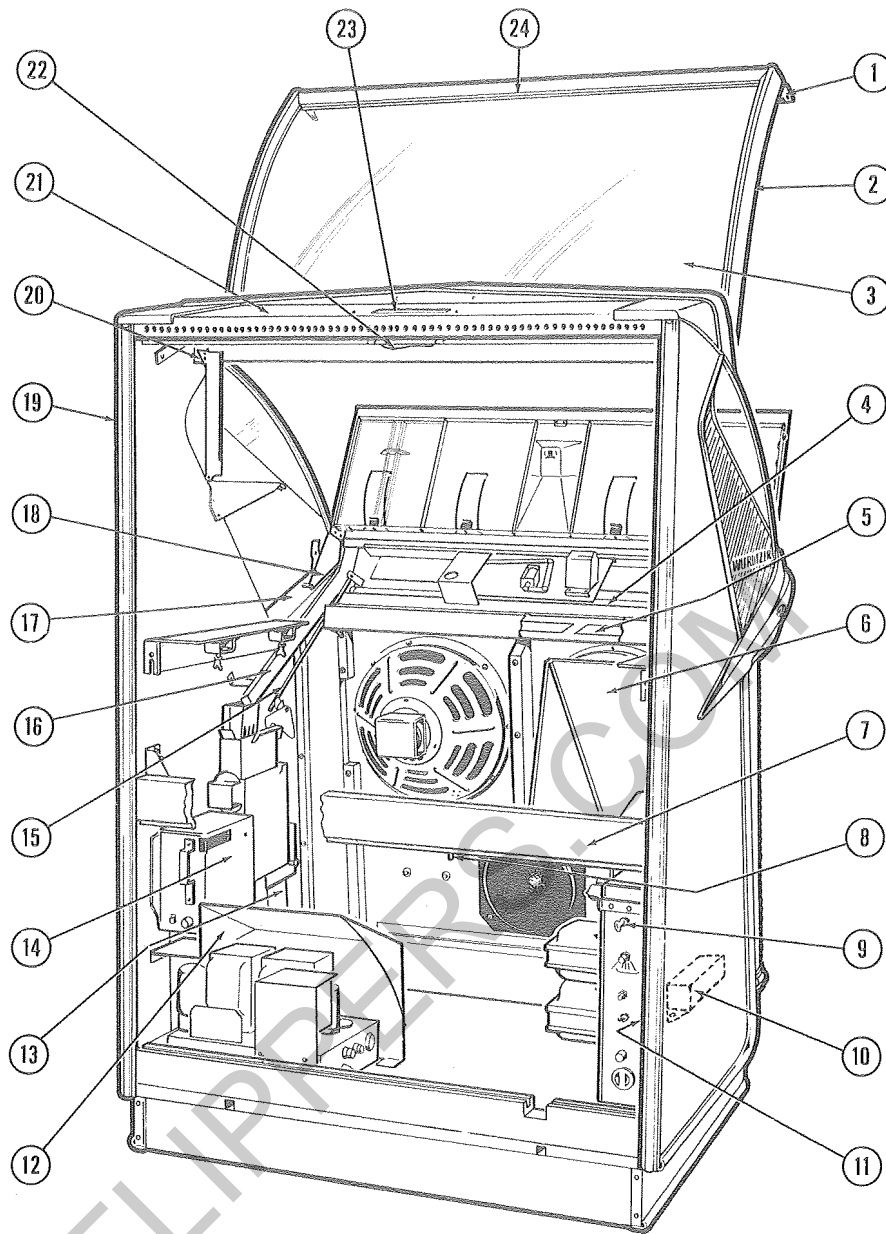


Fig. 98. TRIM AND MOUNTING - REAR VIEW

1. Lock Catch, Dome	L.H. 113624	R.H.113625		
2. Extrusion, Side	R.H. 113295	L.H.113296		
3. Door, Glass		113273		
4. Fluorescent Lamp		110965		
Starter Switch		57365		
5. Glass, Light Diffuser - Assembly		113385		
6. Heat Shield		113392		
Heat Shield, Stereophonic		114357		
Thumb Screw, Heat Shield		35745		
7. Back Rail Assembly		113908		
Thumb Screw, 1/8" x 3/8" (2 used)		46860		
8. Lock Bracket, Lower Back		111418		
9. Key, Volume Control		984		
10. Light Ballast Assembly		110996		
11. Cover, Amplifier		64979		
Guide Bracket, Amplifier		115259		
12. Heat Shield, Power Supply		114896		
13. Coin Hopper Assembly		113386		
14. Slug Rejector Assembly			113341	
15. Reject Rod and Bracket Assembly			113855	
Shoulder Pin			113332	
16. Coin Chute Assembly			113681	
Coin Stop			114026	
Screw, 6-32 x 3/16 Sems R.H.			73533-21	
17. Glass Clamp and Spacer				
Assembly,	R.H. 113689	L.H.113690		
18. Pivot Bracket and Pin				
Assembly,	L.H. 115197	R.H.115198		
19. Extrusion, Back, Rub Rail (2 used)			113274	
20. Shield, Upper	R.H. 113763	L.H.113764		
21. Top Plate			113287	
22. Lock Assembly, Upper Back			69047	
Washer, Lock			63365	
23. Glass, Card Holder			113654	
Card Holder			113651	
24. Extrusion, Lower, Door Glass			113286	

COMBINED NUMERICAL PARTS LIST

		Page No.	Part No.	
				* STEREO ** 2310
984	Key, Volume Control	63	58255	Actuator, Key Switch 4, 5, 6, 49, 57
14524	Fusetron, .8 Amp or Bussman M.D.L.	49, 59, 63	58420 58425	Tube, 12AU7A 60, 61 * Socket, 9 Pin, Miniature 61
15137	* Insulator.	61	58427	Tube, 12AX7 60, 61
15845	Fuse, 8 Amp. Little Fuse or Bussman M.T.H.	60, 63	59396 59399	Bumper, Record Guide 19, 54 Screw, Special 29, 55
20263	* Knob, Tone Control.	61	59415	Drive Pulley, Turntable Clamp 27
20812	* Insulated Mounting Lug	61	59416	Shaft, Record Clamp 55
21934-A	Absorbed Oil, Houghton, Type L3, 1 Pt. Can	54	59417 59418	Lever, Record Clamp 55 Spring, Record Clamp 55
23879	Stop Nut, Elastic	11, 25	59419	Screw, Special, Record Clamp 55
25202	Steel, Ball.	54	59423	Washer, Shaft 55
28078	Washer, Special .125" x 1/4"	52	59424	Spring, Record Pilot 55
38492	* Socket, 11 Prong	61	59425	Record Track 18, 54
X42226	Record Disc	15, 18	59432	Stop Bracket, Trip Switch 15
42868	Adjusting Cam	4, 5, 49	59434	Stop Bracket, Record Track 18, 54
43341	Socket, Connector, Single Prong.	55, 61	59449 59456	Pilot, Turntable 24, 55 Fly Wheel, Turntable 29, 55
45345	Electric Counter	51	59464	Cam, Record Clamp 23, 27
45352	(Fuse Post)	2, 49, 59, 60	59470	Nut, 7/16" - 20, Special Turntable Shaft 29, 55
45588	Fusetron, 0.3 Amp.	59, 63	59484	Release Arm, Turntable 23
45663	Accumulator Coil	50	59485	Roller, and Shaft Assembly. 23, 27
45787	* Coil and Lamination Assembly Accumulator	6	59487	Guide Pulley 27
49387	Washer (4 Used)	17	59537	Pawl Assembly, Selector Shaft Drive 57
51485	* (Fuse Post)	61	59548	Plastic Guide Plate 54
52196	Fuse, 15 Amp. Type A.B.C.	60, 61, 63	59569	Transfer Switch and Bracket Assembly 14, 57
53648	Switch, Toggle, S.P.S.T.	19, 57, 60, 61	59569-1	Over-center Spring. 14, 15, 57
53774	Conical Spring, Red Dot, 39 lbs., Front	56	59571	Oil Slinger 29
54246	Bumper, Gate Stop	51, 56	59583	Arm, Trip Switch 15
54878	Plug, 11 Prong	59	59584	Spring, Selector Drive Clutch 57
56188	Rectifier, Selenium.	60	59585	Spring, Cancel Lever 57
56233	Switch, Push Type, Free Play	51	59599	Roller, Shaft, Link and Lever Assembly, Record Lift 21, 57
56325	Fuse, 2 Amp., Type 3A.G. Slo - Blo	60, 63	59601	** Record Holder Assembly 79
56530	Washer, Special	29	59606	Spring, Return 13, 28, 54
56592	Roller and Bearing Assembly.	14, 15	59612	Spring, Friction, Drive Gear 57
56712	Pawl, Stud, and Spacer Assembly Numbers	10, 51	59621	Drive Pinion, Changer Motor. 26
56713	Release Lever, Stud and Spacer Assembly.	10, 51	59623	Drive Gear, Selector Shaft 26
56714	Trip Lever and Stud Assembly	10	59626	Strap and Spring Assembly, Friction, Drive Pawl 57
57110	Springs, Selector Latch Pins	50	59632	Cancel Lever (Shaft and Cancel Arm Assembly) 20
57128	Spring, Letter Latch, Selector Switch Assembly	11, 51	59637	Ball Race, Main Cam Shaft 57
57129	Spring, Number Latch, Selector Switch Assembly	11, 51	59654	Ball Bearing, Selector Shaft 57
57130	Spring, Solenoid Return	10, 51	59656	Hub, Selector Drive 57
57365	Fluorescent Starting Switch, 25W	65	59661	Cancel Arm Assembly, Lower 20
57525	Pick-up Needle, (Cobra Cartridge).	15, 25, 53	59679	Ball Race, Tone Arm Shaft 55
57851	Micro Switch.	15, 53	59686	Slide Pin. 27
			59688	Lever Assembly, Record Clamp 27
			59691	Actuator Arm, Transfer Switch 14

Part No.	Description	Page No.	Part No.	Description	Page No.
			* STEREO ** 2310		
59704	** Mounting Bracket and Roller Assembly	79	62769	Stop Plate, Mute and Play Switch Assembly	15
59709	Spring, Carrier Drive Pawl	56	62773	Spring, Actuator Arm, Mute and Play Switch	12, 52, 57
59710	Spring, Record Indicator	53, 56		Switch, Dime - Half Dollar	2, 49, 59
59717	Guide Pulley and Bracket Assembly, Tone Arm Brush	29	62886	Plate, Record Clamp	23, 29
			63205	Shim, Metal .005" Turntable Shaft	29, 55
59719	** Bracket and Idler Assembly	79	63731	Shim, Fibre .015" Turntable Shaft	29, 55
59732	Gear and Ratchet Wheel Assembly	57	63732	Pulley, Turntable Drive Motor	26, 54
59739	Mounting Bracket, Trip Switch	15	64189	Pulley, Turntable	29, 55
59743	Bumper, Record Guide	19, 54	64190	Screw, Tone Arm Feed-in Adjustment	24, 25, 28
59827	Chassis, Mounting Plate	56, 57	64422	Latch Bracket, Tone Arm	24, 25, 28
59830	Brush, Tone Arm	28		Adjusting Screw, Tone Arm, Allen Hd.	25, 27
59859	** Record Play Counter	79	64423	Gasket, Bulk	63
59864	Washer, Turntable Shaft, Special	29, 55	64427	Sleeve and Bushing Assembly, Turntable	29, 55
59867	Ball Race, Turntable Shaft	29, 55		Mounting Bracket and Motor Assembly	26
59871	Cable, Record Clamp and Tone Arm	27, 55	64510	Tube, 6AU6	60
			64520	Catch, Coin Register	2
59881	Sleeve for Brush Cable	53		Tube, 6AN8	60
59888	Cable, Tone Arm Brush	29, 53	64539	* Socket, 9 Prong	61
59894	* Retracting Spring, Lower Coin Stop Arm	9	64858	Cover, Amplifier	65
			64883	Volume Control, Dual 50K	60
59922	Arm and Roller Assembly, Record Clamp	27	64914	Pawl, Stud, and Spacer Assembly, Letters	10, 51
			64920	Letter Latch (Trip Lever and Spacer Assembly)	10, 11, 51
60518	Switch, Number Latch	11	64979	* Pin Terminal	61
60599	Stop Plate, Turntable Arm	27	64996	Cancel Solenoid	4, 49
60655	Micro Switch, Safety	53	65009	Mute and Play Switch and Bracket Assembly	57
60658	** Guide and Roller Assembly	79		Gear and Shaft Assembly, Turntable Drive Motor	26, 54
60677	** Spring, Roller Arm	66	65010	Bracket, Coin Box Door	63
60680	Pad, Turntable	55		Balancing Weight and Bracket Assembly	25
60681	Retaining Ring, Turntable Pilot	55	65063	Tube, 6L6GB	60
60711	Guide, Record Lift Arm, L.H.	80	65069	Taper Pin	51
60717	* Solenoid, Switch Interlock, Optional 57020	7, 8	65170	Record Lift Arm	17
				Casting, Record Carrier	22
60717-1	* Plunger, Cancel Solenoid, Optional 57020-1	6, 8	65203	Stop Pin, Loading Switch Cam	19
				Stop, Guide Tips	16, 57
60869	Worm Gear	26	65213	Eyelet	56
60881	"O" Ring, Turntable Drive	54	65273	Mounting Bracket	19
60893	Spring Clip, Thrust	26, 54		Guide Tip, R.H., Record Lift Arm	16, 57
60946	Motor Mounting Plate	26	65341	Guide Tip, L.H.	16, 57
61059	Spring, Conical, Chassis Mount, Yellow Dot, 23 Lbs., Rear	56	65362	Coin Magnet (Coil Assembly)	4
			65487	Cover, Plastic, Stepper	59
61174	Spring, Turntable Cam	27, 55	65496	Spring, Guide Tips	16, 57
61343	Adjustment Clip, Letters	10	65516	Pivot Casting and Arm Assembly	57
61484	** Guide, Record Left Arm, R.H.	80	65526	Bracket and Pin Assembly	17
61596	Micro Switch, Reversing Switch	12, 14, 52, 58	65714	Back Stop Pawl	22
			65728	Record Holder and Counter Assembly, Large	56
61658	Sleeve and Screw Assembly for 59871 Cable	27, 55	65730		
			65731		
61857	Socket, Fustat	59	65770		
61858	Fustat, 3 Amp	59, 63	65801		
62145	Spring, Lock-out	49	65812		
62197	Gasket, Bulk (Specify Length)	65	65880		
62430	Transformer, Out-put Hi Fi	60	65888		
62670	Coin Bag	63	65891		
62742	Tube, 5U4GB	60	65909		
62768	Cam Lobe, Mute and Play Switch Assembly	14, 15			

Part No.	Description	Page No.	Part No.	Description	Page No.
			* STEREO ** 2310		
65910	Record Holder and Counter Assembly, Small	56	68280	Adjustment Clip, Numbers	10
65937	Washer (2 Used)	16, 57	68290	Guide Plate, Lift Arm Assembly	16, 17, 57
65938	Shaft, Guide Tips	16, 57	68311	Coin Switch Assembly.	49, 50
65939	Roller, Record Lift Arm Guide.	16, 56	68320	Casting, "Select" and "Reset", (2 Used).	51
65940	Strap, Lift Arm Guide	17	68448	Lower Plate and Spacer Assembly	12
65942	Spacer, Lift Arm Guide	17	68483	Sleeve and Bushing Assembly, (Loading)	19, 20
65947	Pin, Cancel Solenoid Plunger	49	68525	Stop Lever and Roller Assembly	19
65952	Switch Assembly, Over-ride	12, 13, 52	68526	Stop Lever, Selector Crank	20
65958	Spring, Record Lift Arm, Centering Bracket	18	68552	Lower Coin Chute Assembly	2, 3, 7
65985	Stud, Fixed	18	68557	Release Lever and Shaft Assembly	19
65986	Stud, Eccentric	18	68558	Shaft, Release Lever	19
65989	Roller, Lift Arm Guide	18	68559	Actuator Arm, and Hub Assembly, Loading	19
66007	Switch and Bracket Assembly, Series, Numbers	10, 51	68567	Link, Release Lever	19, 20
66045	Drive Pin	4	68582	Contact Blade and Plate Assembly	58
66069	Stop Bracket, Cancel Pawl	6	68594	Solenoid, Selector, Letters (20)	52
66071	Spring, Cancel Wheel	4, 49	68617	Solenoid, Selector, Numbers, (2 to 0)	12, 52
66072	Spring, Solenoid Return	49	68649	Screw	12
66074	Spring, Accumulator Wheel	49	68650	Spacer, Wobble Ring	12, 13
66082	Switch Assembly, Key	4, 49	68651	Bracket and Roller Assembly	52
66124	Cancel Wheel	4, 49	68656	Plastic Roller, Rotating Plate	52
66125	Pivot Arm and Pawl Assembly	4, 5, 49	68657	Stud, Guide Roller	12
66126	Pivot Arm Assembly	5	68657	Stop Bracket	22
66127	Pin and Pawl Assembly	5	68716	Nylon Gear, Selector Motor	12, 52
66128	Coin Magnet and Bracket Assembly.	49	68717	Guard and Bracket Assembly, Coin Return Cup	63
66129	Lever Hub and Stud Assembly	4, 49	68725	Termo Cut-out, Selector Motor	52
66130	Lock-out Lever and Hub Assembly	5	68731-1	Spring, Rocker Arm	52
66131	Accumulator Wheel and Hub Assembly	4, 49	68755	Cancel Switch	60, 61
66132	Stop Lever and Spring Assembly	3, 5, 49	68770	Spring, Retracting	22
66133	Indexing Strip, 25¢	5	68774	Spring, Release Lever Linkage	19, 20
66135	Indexing Strip, 50¢	5	68782	Solenoid, Selector, No. 1	12, 52
66174	Motor, Turntable	26	68804	Rocker Arm	52
66181	Stud, Eccentric, Lift Arm Guide	17	68807	Timing Relay, Numbers	59
66182	Plate, Adjusting, Lift Arm Guide	17	68940	Timing Relay, Letters	59
66186	Contact Plate Assembly	52	68941	Relay, Timing No. 3	59
66393	Guard, Cancel Pawl	5	68943	Lock Assembly, Back Door	65
66445	Pin, Hinge	3	69047	Motor and Pinion Assembly	26
67439	Lamp, Mazda No. 55	59	69067	* Plug, 4 Prong, Tone Arm	53
67478	Key, R.W. 90	63	69089	* Socket, 4 Prong, Tone Arm	53
67920	Rotating Plate, Selector	52	69090	Relay, Reversing	59
67926	Rocker Arm	12	69240	Relay, Timing No.1	4
67927	Wobble Ring	12, 13	69244	Lower Plate and Spacer Assembly	13
68031	Turntable Assembly.	24	69492	Main Cam, Bushing, and Pawl Assembly	21
68100	Tone Arm and Gimbal Assembly	25	69596	Shoulder Stud, Eccentric, Guide Roller	12
68102	Turntable and Shaft Assembly	29, 55	69659	Turntable Motor and Worm Assembly	54
68103	Casting, Record Guide, Front	54	69686	Light Socket and Wire Assembly	51
68182	Transformer, Power	60	69775	Resistor, 9000 and 1650 Ohms	60
68183	Transformer, Low Voltage	60	70897	Electrolytic Capacitor, 65 to 93, Mfd. 50 V.A.C.	59
68192	Coin Return Cup.	63	70901	Capacitor, .015 Mfd	50
68211	Pulse Relay.	4, 49			
68245	Rotating Plate and Rocker Assembly	12			
68247	Latch Switch, Numbers	51	71185-12		

Part No.	Description	Page No.	Part No.	Description	Page No.
		* STEREO			** 2310
71191-12	Capacitor .047 Mfd.	50	73656-74	Screw, 6-32 x 1", Record Guide Adjustment	13
71499	Capacitor, 250 Mfd., 50V	59	73660-161	Adjusting Screw, Hex Hd. 10-32 x 1-1/4	17, 18, 21
71883-2	Resistor, 150 Ohm, 5W, "Select" Light	51	73676-46	Screw, 10-32 x 1/4, R.H.	22
71886-3	Resistor, 85 Ohm, 5W, Latch Solenoid	51	73724-9	Retaining Ring, Truarc No.9	16, 57
72200-32	Resistor, 2200 Ohm, 1 Watt	59	73724-15	Retaining Ring	49, 51
72290-32	Resistor, 12 Ohm, 1 Watt	50	73724-18	Retaining Ring, .187 - .145" Waldes Truarc "E"	17, 19, 49, 51
72298-32	Resistor, 27 Ohm, 1 Watt	59	73724-21	Retaining Ring, Truarc No. 21	49
72312-32	Resistor, 100 Ohm, 1 Watt	50	73724-25	Retaining Ring, Truarc Type "E", .210	9, 49
72314-32	Resistor, 120 Ohm, 1 Watt	59	73782-32	Roll Pin	17, 57
72449-31	Resistor, 51 Ohm, 2 Watt	59	73782-48	Roll Pin	19
72464-32	Resistor, 220 Ohm, 2 Watt	59	73785	Lock Nut 10-32 Hex Special	21
72474-32	Resistor, 560 Ohm, 2 Watt	59	73787-86	* Screw, 8-32 x 5/16"	54
72478-32	Resistor, 820 Ohms, 2 Watt	59	73790-85	Screw, 8-32 x 5/8 " Selector Crank Pivot	22
72935-2	Resistor, 10 W, 10% 125 Ohms	59	73793-86	Adjusting Screw, Trip Switch	15
73099-240	Capacitor, 0.5 Mfd., 400V	59	73793-122	Screw, 10-32 x 1" (Forward Stop)	12
73474	Capacitor, Electrolytic 20, 20, 10, 20, Mfd., 400, 400, 400, 50 W.V.	60	73793-127	Cap Screw, 10-32 x 2-1/4	20
73502-95	Screw, 10-32 x 1" R.H.	14, 22	73800	Screw, 6-32 x 1-3/8 " R.H.	13, 28
73502-99	Screw, 10-32 x 1-3/4" R.H.	27	73864	Capacitor, 20 Mfd., 50V.	59
73503-23	*Screw, 4-40 x 1/4" Cartridge Mount	53	73865-8	Nut, 10-32 Nyloc	25
73503-91	Screw, 8-32 x 3/4" R.H.	17	99507	Extruded Bushing	51
73503-95	Screw, 8-32 x 1-1/4" R.H.	14, 22	110453	Lamp Socket Assembly	59
73511-29	Set Screw	19	110480	Spring, Latch Pin	20, 22, 52, 58
73515-36	Adjusting Screw, 8-32 x 3/4" Allen Hd.	12	110557	Switch, Carriage	14, 22
73515-38	Adjusting Screw, 8-32 x 1" Allen Hd.	12	110680	Caster	63
73531-1	Screw, #4 x 1/4" Type "Z".	2	110928	Link, Selector Crank, Actuator Arm	22
73531-5	Screw, 1/4 -6" Type "Z".	3	110930	Tip and Mounting Bracket Assembly, Outer	20, 58
73533-1	Screw, Adjusting, Index Strip	5	110934	Spring, Cancel Arm	20, 57
73533-3	Screw, 4-40 x 5/16" Sems, R.H.	18	110936	Tip and Mounting Bracket Assembly, Inner	22, 58
73533-7	Screw, 4-40 x 5/8"	17, 57	110937	Switch Lever and Stop Nut Assembly	14, 22, 58
73533-21	Screw, 6-32 x 3/16" Sems, R.H.	6	110939	Actuator Arm and Link Assembly	20, 22, 58
73533-22	Mounting Screws, Cancel Solenoid, 6-32 x 1/4" R.H.	11, 12, 44	110941	Latch Pin, Inner	13, 22, 52
73533-33	Screw, 8-32 x 3/16" Sems, R.H.	26	110942	Latch Pin, Outer	13, 20, 52
73533-34	Screw, 8-32 x 1/4" R.H. 7, 9, 10, 11, 17, 21, 23	29	110943	Selector Crank and Stop Nut Assembly	20, 58
73533-38	Screw, 8-32 x 1/2" R.H.	29	110949	Mounting Plate and Stop Nut Assembly	22, 58
73534-14	Screw, 4-40 x 3/8" Bind Hd.	14, 15	110952	Selector Shaft Adjustment Plate Assembly	22
73571-16	Screw, 10-32 x 1/2 " Allen Hd.	26	110965	Lamp, 25W, Fluorescent	65
73571-22	Adjusting Screw, Stop Lever	20	110996	Light Ballast Assembly	65
73571-66	Roller Shaft, Link and Lever Assembly	21	111044	Plate, Record Guide	19, 28
73571-187	* Screw, 6-32 x 1", Soc. Hd.	6	111125	Slide Lock, Slug Rejector	2, 3, 7
73574-31	Screw, 4-40 x 1", R.H.	14, 15	111449 to	Selector Buttons, Letters A to V.	51
73575-100	Adjusting Screw, 10-32 x 2" R.H.	25	111468	Selector Buttons, No. 1 to 0	51
73586-2	** Screw 2-56 x 3/16", L.H.	80	111469 to	Relay, Pulse Line	59
73592-21	* Screw, 5/8 x 8, R.H. P.K., Type A	2	111478	Housing, Male, 3 Circuit	12, 13, 52
73601-6	Nut, 6-32 Hex.	16	111494		
73601-10	Lock Nut, Hex 1/4 -20	23, 51	111526		
73605-5	Lockwasher, #6, Kant	16			
73607-12	Lockwasher, 1/2" Internal	29			
73656-72	Screw, 6-32 x 3/4", Record Guide Adjusting	28			

Part No.	Description	Page No.	Part No.	Description	Page No.
		* STEREO	** 2310		
111527	Contact for Housing	13	113222	Cheek Casting, R.H.	63
111528	Female Housing, 3 Circuit . . .	12, 13, 52	113223	Top Casting, Center	63
111574	Blank and Silk Screen Assembly, "Select"	51	113224	Top Casting, L.H.	63
111581	Selector Switch, Number	10	113225	Top Casting, R.H.	63
111582	Selector Switch, Letters	10	113228	Selector Casting	77
111619	Release Bracket Assembly, Tone Arm	25	113229	* Coin Casting (Coin Chute, Lower) . .	9
111713	Mounting Plate and Bushing Assembly	51	113234	Extrusion, Side Glass, R.H.	63
111720	Crank and Link Assembly, Switch Interlock	10, 51	113235	Extrusion, Side Glass, L.H.	63
111736	Connector Link, Number Switch	10	113236	Cover, Cabinet Base	63
111750	Connector Link, Letter Switch	10	113237	Cover, Cabinet Base, Front	63
111810	Switch and Bracket Assembly, Letter Series	10, 51	113241	Lock Assembly	63
111816	Lamp, 2 Prong, G12 (4 Used)	51	113242	Star, Background	53
111817	Socket, 2 Prong, for G12 Lamp, (4 Used)	51	113246	Reset Button	51
111833	Light Box and Mounting Bracket. . . .	51	113248	Reset Casting	51
111897	Shaft, Link, and Lever Assembly, Letters	10, 51	113249	Switch, Reset	51
111898	Shaft, Link, and Lever Assembly, Numbers	10, 51	113265	Frame, Cash Box Door	63
111913	Motor and Gear Assembly	52	113267	Extrusion, Side, R.H.	63
112046	Switch, Bracket, and Brace Assembly, Latch Solenoid	10	113268	Extrusion, Side, L.H.	63
112104	Solenoid Assembly, Latch	51	113271	Grille Extrusion, Side, R.H.	63
112104-1	Plunger, Latch Solenoid	11	113272	Grille Extrusion, Side, L.H.	63
112225	Relay, Timing	59	113273	Door Glass	65
112494	Relay, Timing No. 1	49	113274	Extrusion, Back Rail	65
113159	Playrak Assembly, 10¢, 25¢, 50¢ . . .	2	113275	Glass, Upper Casting, R.H., "HiFidelity"	63
113175	"W" Casting	63	113276	Glass, Upper Casting, L.H.	63
113177	Title Strip Holder	64, 82	113277	Extrusion, Bottom	63
113180	Program Holder	64	113278	Extrusion, Lower Grille	63
113183	Medallion, Top Casting	63	113285	Housing, Coin Bag	2
113194	Segment and Silk Screen Assembly, N6-T5	56	113286	Extrusion, Lower Door Glass	65
113195	Segment and Silk Screen Assembly, H6-N5	56	113287	Top Plate	65
113196	Segment and Silk Screen Assembly, C6-H5	56	113288	Clamp, Glass, Top Casting	63
113197	Segment and Silk Screen Assembly, T6-C5	56	113289	Grille Screen	63
113199	Support Casting and Bushing Assembly	53	113290	Extrusion, Upper, Door Glass	63
113202	Spacer Stud, Record Carrier	56	113291	Lock and Key, Coin Box	63
113205	Bracket and Stop Nut Assembly, L.H.	17, 57	113295	Extrusion, Door, Side, R.H.	65
113208	Decorative Background Assembly . . .	53	113296	Extrusion, Door, Side, L.H.	65
113210	Reset Lever Assembly, Play Meter . .	56	113297	Side Glass, L.H.	63
113215	** Pivot Casting and Arm Assembly . .	80	113298	Side Glass, R.H.	63
113216	** Bracket and Nut Assembly, Lift Arm Stop	80	113299	Actuating Arm, Transfer Switch	29
113226	Selector Switch Casting.	51	113305	Extrusion	64
113221	Cheek Casting, L.H.	63	113311	** Extrusion, Corner, Program Holder	64, 82
			113318	** Connector Link, Letter Switch . . .	77
			113319	* Tone Arm Assembly, Stereo	53
			113320	* Tone Arm and Wire Assembly, Stereo	53
			113324	* Stereo Cartridge, Sonotone	53
			113325	* Connector, Sonotone Cartridge	53
			113327	Reject Button	63
			113334	** Connector Link, Number Switch. . .	77
			113335	** Mounting Channel, Selector Switches	77
			113341	Slug Rejector Assembly.	2
			113350	Slug Rejector	50
			113361	Extrusion, Vertical Center	64
			113362	** Title Strip Holder	82
			113367	Extrusion, Horizontal	64

Part No.	Description	Page No.	Part No.	Description	Page No.
		* STEREO	** 2310		
113368	Extrusion, Center	64	113595	** Decalcomania, H1-J0 Title Strip Holder	82
113370	Grille Plate	63	113598	** Extrusion, Bottom, Program Holder Frame	82
113385	Glass, Light Diffuser Assembly	65	113624	Lock Latch, Dome, L.H.	65
113386	Coin Hopper Assembly	65	113625	Lock Latch, Dome, R.H.	65
113387	** Connecting Bracket, Carrier Ring	79	113627	Switch, Fall Cycle	7,9,50
113392	Heat Shield	65	113628	Extrusion, Glass Clamp, R.H.	63
113408	** Carrier Ring and Silk Screen Assembly, A1-C5	79	113629	Extrusion, Glass Clamp, L.H.	63
113409	** Carrier Ring and Silk Screen Assembly, E0-C6	79	113632	Glass Clamp, Lower, R.H. & L.H.	63
113410	** Carrier Ring and Silk Screen Assembly, H5-F1	79	113645	** Record Indicator Panel, Program Holder	82
113411	** Carrier Ring and Silk Screen Assembly, K0-H6	79	113651	Card Holder	65
113415	Record Indicator Panel	63	113654	Glass, Card Holder	65
113420	Receptacle, Single Prong, Dual	60	113666	** Casting, Record Carrier	79
113427	* Coin Stop Arm, Upper	7,9	113681	Coin Chute Assembly	65
113428	* Shield, Relays	2	113687	** Record Play Counter	79
113437	Selector Casting	52	113689	Glass Clamp and Spacer Assembly, R.H.	65
113450	Shaft and Hub Assembly, Tone Arm Brush	53	113690	Glass Clamp and Spacer Assembly, L.H.	65
113451	Shaft, Tone Arm Brush	53	113697	Spring Clamp	64
113454	Gimbal and Stop Nut Assembly	53	113699	Clamp	64
113457	Mounting Casting and Pin Assembly	53	113700	Spring	64
113459	Arm and Brush Assembly, Tone Arm	28,53	113717	** Segment, Record Indicator Ring, B1-J7	79
113472	Stop Bracket, Record Lift Arm	57,80	113718	** Segment, Record Indicator Ring, J8-G4	79
113514	Decalcomania A1-B0	64	113719	** Segment, Record Indicator Ring, G1-D7	79
113515	Decalcomania C1-F0	64	113720	** Segment, Record Indicator Ring, D8-B4	79
113516	Decalcomania G1-K0	64	113730	** Escutcheon Plate (3 Stars)	82
113517	Decalcomania L1-P0	64	113734	Mounting Casting Assembly, Number Quadrant	12
113518	Decalcomania S1-R0	64	113744	Lock Strike Assembly, L.H.	63
113519	Decalcomania U1-V0	64	113746	Lock Strike Assembly, R.H.	63
113525	Switch, Wire, and Bracket Assembly	49	113754	* Glass, Upper Casting, R.H., "Stereophonic"	63
113527	Cap, 6 Circuit	2,3,4,7	113763	Shield, Upper, R.H.	65
113528	Socket, 6 Circuit	7,50,59	113764	Shield, Upper, L.H.	65
113529	Cap, 9 Circuit	3,7,50	113782	Slide Support and Slide Assembly, L.H.	65
113530	Socket, 9 Circuit	3,7,59	113783	Slide Support and Slide Assembly, R.H.	65
113531	Cap, 12 Circuit	4,51	113787	Fall Support Assembly	63
113532	Socket, 12 Circuit	52,59	113791	Motor and Pinion Assembly	56
113547	Cable, Coin Register Mechanism	49	113814	Coin Denomination Plate, 7 Plays Half Dollar, 3 Plays Quarter, 1 Play Dime	51
113556	** Extrusion, Vertical Center, Program Holder	82	113815	Instruction Plate - "Insert Half Dollars, Quarters, Dimes, Nickels"	51
113566	* Contact Spring, L.H., Credit Lights	8,10	113816	Coin Denomination Plate, 5 Plays Quarter, 2 Plays Dime, 1 Play Nickel	51
113585	* Pin, Coin Stop	9	113817	Instruction Plate - "Select After Each Coin, Press Letter and Number"	51
113590	** Decalcomania, A1-A0 Title Strip Holder	82			
113591	** Decalcomania, K1-K0 Title Strip Holder	82			
113592	** Decalcomania, B1-C0 Title Strip Holder	82			
113593	** Decalcomania, D1-E0 Title Strip Holder	82			
113594	** Decalcomania, F1-G0 Title Strip Holder	82			

Part No.	Description	Page No.	Part No.	Description	Page No.
			* STEREO ** 2310		
113818	Classification Strip "Wurlitzer Music"64	113961	* Coin Casting and Support Assembly. 2, 7	
113819	Classification Strip "Today's Top Tunes"64	113966	Tone Arm Assembly.53
113820	Classification Strip "Country and Western"64	113976	Cover Plate and Silk Screen Assembly. .60	
113821	Classification Strip "Rhythm and Blues"64	113980	Drive Arm and Contact Assembly. 7, 9, 50	
113822	Classification Strip "Rock and Roll"64	113983	* Adjusting Screw and Bearing Assembly	9
113823	Classification Strip "New Pop Records"64	113984	* Motor and Pin Assembly.	7
113824	Classification Strip " E.P. Show Albums"64	113991	* Arm and Contact Assembly, Credit Lights	7
113825	Classification Strip "Stereo and E.P."64	113992	* Ratchet Wheel and Contact Assembly	7
113826	Classification Strip "Classical and Old Favorites"64	113997	Pricing Plate, Shorting51
113827	Classification Strip "Jazz and Novelty"64	113998	Selector Switch, Numbers or Letters	51, 77
113828	Classification Strip "Polkas and Waltzes"64	113999	* Spring, Cancel Pawl.	8
113829	Classification Strip "Stereophonic Music"64	114000	* Spring, Coin Block Arm	9
113836	Fall Support and Pin Assembly, R.H.64	114003	Spring, Ratchet Wheel.	6, 8, 50
113837	Fall Support and Pin Assembly, L.H.64	114026	Coin Stop65
113838	Extrusion and Shield Assembly, R.H.64	114029	* Coin Paddles, Coin Switch	7
113839	Extrusion and Shield Assembly, L.H.64	114032	Cancel Pawl and Lever Assembly.8, 50
113842	** Clamp, Record Indicator Panel82	114033	Edge Receptacle51
113845	Label, Coin Denomination63, 64	114037	Accumulator Assembly	3, 7, 50
113846	Transfer, Adhesive, 2 sets(1 to 10)64	114046	* 7025 Tube61
113849	Service Card65	114048	* 6973 Tube61
113853	Pin and Actuator Assembly, Reject Arm	2, 3	114064	Carrier Ring, F2-L156
113854	Lever and Bracket Assembly, Reject Rod	2, 63	114065	Carrier Ring, R2-A156
113855	Reject Rod and Bracket Assembly63	114066	Carrier Ring, L2-R156
113895	Coin Denomination Plate, 10 Plays Half Dollar, 4 Plays Quarter, 1 Play Dime51	114067	Carrier Ring, A2-F156
113896	Coin Denomination Plate, 9 Plays Half Dollar, 4 Plays Quarter, 1 Play Dime51	114070	Base Plate and Mounting Bracket Assembly50
113900	Hinge Pin, Dome.63	114092	** Selector Switch, Numbers77
113906	Torsion Spring, Reject Rod63	114138	* Dual 0.7 Mil Sapphire Replacement. .53	
113908	Back Rail Assembly65	114263	** Junction Box - Stepper (Dual)81
113909	Printed Board, Pricing Strip	3, 7, 50	114291	** Decorative Shelf and Decal Assembly, R.H.78
113911	** Extrusion and Shield Assembly, R.H., Program Holder82	114292	** Decorative Shelf and Decal Assembly, L.H.78
113912	** Extrusion and Shield Assembly, L.H., Program Holder82	114325	* Socket, 12 Prong61
113913	** Program Holder Frame Assembly82	114336	Switch, Latch Solenoid51
113916	* Contact Spring, Accumulator10	114341	* Cable and Cap Assembly	2
113927	* Coin Stop Arm and Bracket Assembly, Lower7, 9	114345	* Printed Board Assembly.61
113945	Escapement Pawl Assembly	6, 50	114346	Dual Stepper.59
113960	Printed Board, Credit Lights	7, 50	114357	* Heat Shield, Stereo65
			114371	* Heat Shield, Power Supply Stereo.65
			114407	Thumb Screw, Selector Casting51
			114412	* Mounting Bracket and Terminal Strip Assembly61
			114422	** Light Shield.77
			114423	Light Shield, Selector Casting51
			114430	Spring, Escapement Pawl	8, 50
			114457	Spring, Program Holder65
			114479	Stop, Cancel Pawl	6, 8, 50
			114481	Junction Box, Stepper Unit59
			114484	* Spring, Needle Pressure, Stereo (3 Coil Base).53
			114489	* Plug and Wire Assembly, Jumper61

Part No.	Description	Page No.	Part No.	Description	Page No.
			* STEREO ** 2310		
114501	Relay, Transfer	59	114989	** Shield and Trim Bracket Assembly, R.H.	78
114505	Relay, Pulse	59			
114507	* Overlay, Record Guide (Stereo).	54	114990	** Shield and Trim Bracket Assembly, L.H.	78
114508	* Plate, Record Guide (Stereo)	54			
114514	Coin Denomination Plate, 5¢ Credit, Make 10¢ Selection, Make any Selection	51	114993	Guard and Bracket Assembly	65
			114994	Guard, Selector Switch	51
			114998	Switch and Bracket Assembly, Reset	51
114527	* Knob, Control	61	115199	** Pivot Bracket and Pin Assembly, L.H., Program Holder	82
114528	** Dual Stepper Switch	81			
114618	Printed Board Assembly	60	115200	** Pivot Bracket and Pin Assembly, R.H., Program Holder	82
114643	* Cover and Liner Assembly, Pricing Unit	2	115204	* Dual 0.7 Mil Diamond Replacement	53
114826	** Extrusion Assembly, Horizontal, Program Holder	82	115411	Stop Pin, Rotating Plate	12, 52
114846	Homosote, Decorative Shelf	53	115550	** Spacer, Lower Stop Bracket	80
114865	Coin Denomination Plate, 10 Plays Half Dollar, 5 Plays Quarter, 1 Play Dime.	51	115660	Stop Pin Assembly, Tone Arm	53
			115668	Arm and Rivet Assembly, Selector Shaft	57
114889	Pricing Relay	3, 7, 50	115669	Selector Shaft and Adjusting Plate Assembly	14, 58
114928	Relay, Anti-Cheat	3, 7, 50	115682	Selector Crank and Shaft Assembly	58
114929	Relay, TRI	3, 7, 50			
114949	Relay, Pulse	3, 7, 50	115684	Casting, Record Carrier	56
114951	Shield and Support Assembly, R.H.	63	115866	Plastic Cap, Fader Switch	60
114952	Shield and Support Assembly, L.H.	63	1058541	Coin Box Door	63

NOTES