

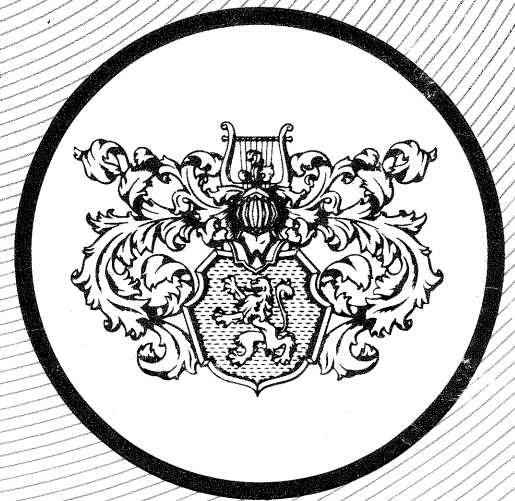
**WURLITZER**  
**PHONOGRAPH**

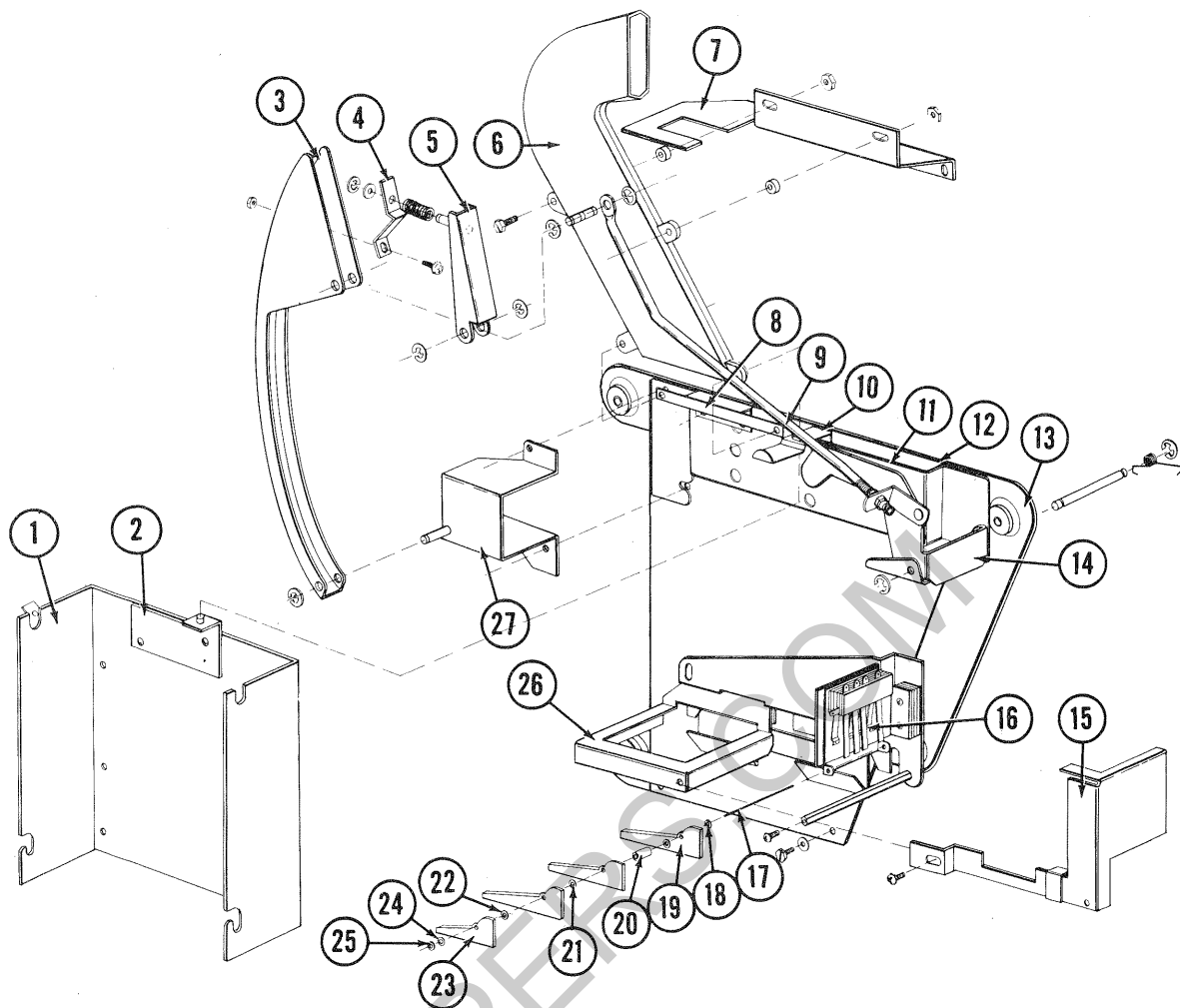
**3500 SERIES**

**ISSUE**

**2**

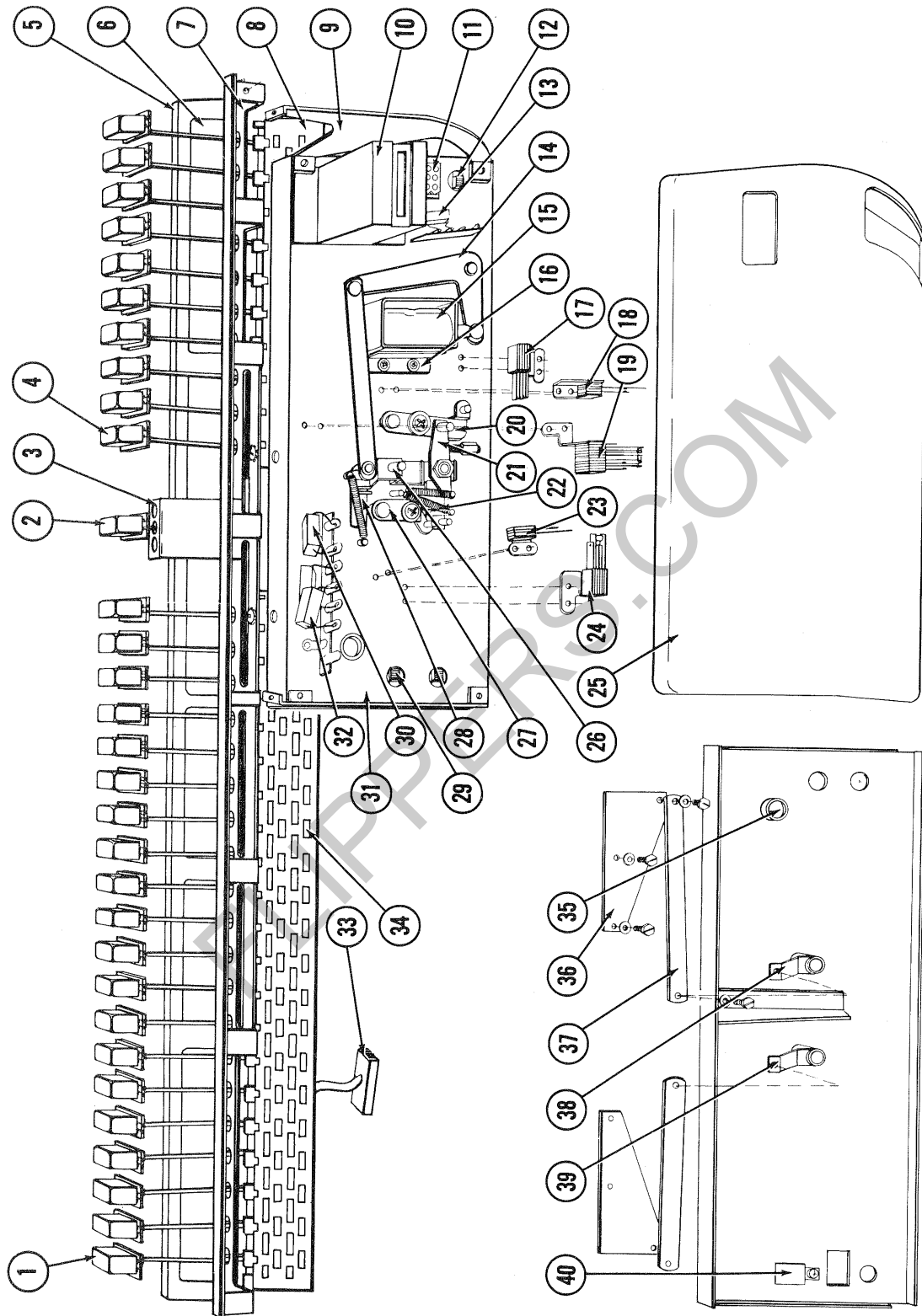
**SERVICE**  
**MANUAL**





SLUG REJECTOR MOUNTING ASSEMBLY

1. Cover and Clip Assembly	131539	13. Mounting Plate, Slug Rejector	124223
Cable Clamp (2)	123897	Washer (3)	52958
2. Locating Pin and Catch Assembly	131034	Grommet (3)	49884
3. Lever, Reject Rod	136481	Spacer (3)	122944
Retaining Ring	73724-25	14. Actuator and Bracket Assembly	132410
4. Mounting Bracket, Pin Actuator	136482	Shaft	68300
Keps Nut 6-32	74262-5	Spring	122413
5. Actuator and Pin Assembly	136585	Retaining Ring (2)	73724-25
Spring	132409	15. Angle and Guard Assembly	131215
Washer	27787	Thumbscrew (2)	35745
Retaining Ring	73724-18	16. Coin Switch	131186
6. Coin Entry Chute	136393	Spacer (2)	131522
Spacer (4)	124041	Spacer	131584
Keps Nut 6-32 (4)	74262-5	Speednut	74750-5
7. Mounting Bracket and Guide	136565	17. Shaft	119107-C
8. Mounting Bracket, Lower	136564	18. Copper Washer	119107-F
9. Reject Rod	134535	19. Long Paddle	119107-A
Pivot Pin	132426	20. Spacer	119107-D
Retaining Ring (5)	73724-25	21. Copper Washer	119107-F
Keps Nut (2) 1/4 x 20	74262-13	22. Copper Washer	119107-F
10. Retaining Spring, Slug Rejector	130849	23. Short Paddle	119107-B
Washer (2)	54024	24. Iron Washer	119107-E
11. Mounting Plate and Bracket Assembly	131036	25. Iron Washer	119107-E
Washer (5)	54024	26. Mounting Bracket and Spacer Assy.	131039
12. Shipping Clip, Slug Rejector	131632	Washer (2)	54024
Washer	657	27. Bracket and Pin Assembly	136562



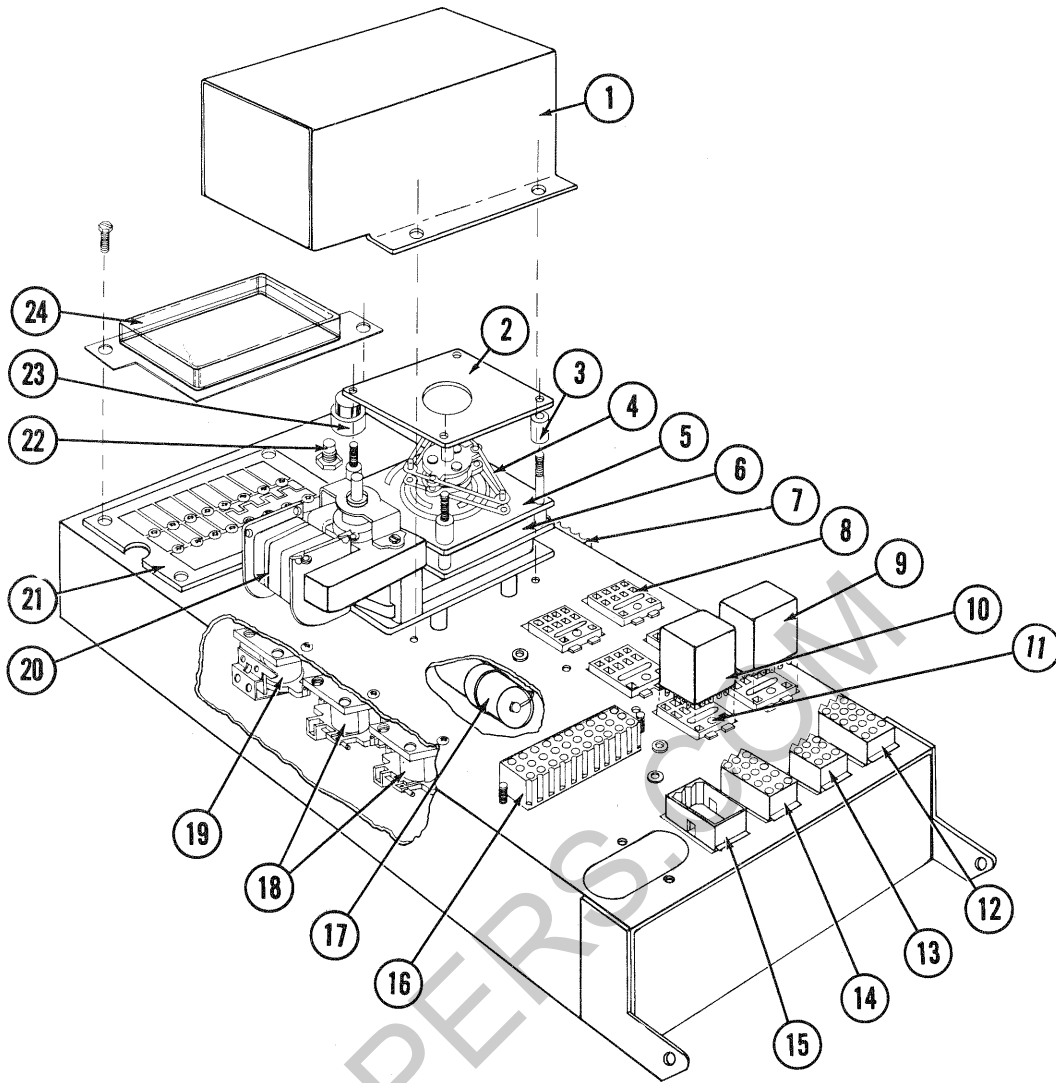
## SELECTOR SWITCH ASSEMBLY ILLUSTRATED PARTS LIST

	200	160	100
1. Selector Button and Clip Assembly, A	131953	131953	131953
Selector Button and Clip Assembly, B	131954	131954	131954
Selector Button and Clip Assembly, C	131955	131955	131955
Selector Button and Clip Assembly, D	131956	131956	131956
Selector Button and Clip Assembly, E	131957	131957	131957
Selector Button and Clip Assembly, F	131958	131958	131958
Selector Button and Clip Assembly, G	131959	131959	131959
Selector Button and Clip Assembly, H	131960	131960	131960
Selector Button and Clip Assembly, J	131961	131961	131961
Selector Button and Clip Assembly, K	131962	131962	131962
Selector Button and Clip Assembly, L	131963	131963	
Selector Button and Clip Assembly, M	131964	131964	
Selector Button and Clip Assembly, N	131965	131965	
Selector Button and Clip Assembly, P	131966	131966	
Selector Button and Clip Assembly, Q	131967	131967	
Selector Button and Clip Assembly, R	131968	131968	
Selector Button and Clip Assembly, S	131969	131969	
Selector Button and Clip Assembly, T	131970	131970	
Selector Button and Clip Assembly, U	131971	131971	
Selector Button and Clip Assembly, V	131972	131972	
Cap Only	131900	131900	131900
Insert	131901	131901	131901
Clip Only	131909	131909	131909
2. Button and Clip Assembly, Reset	131983	131983	131983
3. Stop Bracket	136312	136312	136312
Switch and Wire Assembly	136091	136091	136091
4. Selector Button and Clip Assembly, 1	131973	131973	131973
Selector Button and Clip Assembly, 2	131974	131974	131974
Selector Button and Clip Assembly, 3	131975	131975	131975
Selector Button and Clip Assembly, 4	131976	131976	131976
Selector Button and Clip Assembly, 5	131977	131977	131977
Selector Button and Clip Assembly, 6	131978	131978	131978
Selector Button and Clip Assembly, 7	131979	131979	131979
Selector Button and Clip Assembly, 8	131980	131980	131980
Selector Button and Clip Assembly, 9	131981		131981
Selector Button and Clip Assembly, 0	131982		131982
Cap Only	131900	131900	131900
Insert	131901	131901	131901
Clip Only	131909	131909	131909
Complete Set Selector Button and Clip Assy.	131953A	131953C	131953B
5. Mounting Plate	135940	135940	135941
6. Light Diffuser	136288	136288	136297
7. Light Diffuser	136291	136291	136296
8. Selector Switch - Numbers	136038	136075	136074
9. Gusset, R. H.	136298	136298	136298
10. Electric Counter	134192	134192	134192
11. Receptacle - 9W	131173	131173	131173
Contact (6)	132001	132001	132001
12. Switch - Slide	135135	135135	135135
13. Resistor - 175 ohm - 5W	74824-2	74824-2	74824-2
14. Crank and Link Assembly	111720	111720	111720
Retaining Ring	73724-15	73724-15	73724-15
Retaining Ring	73724-18	73724-18	73724-18

## SECTION B

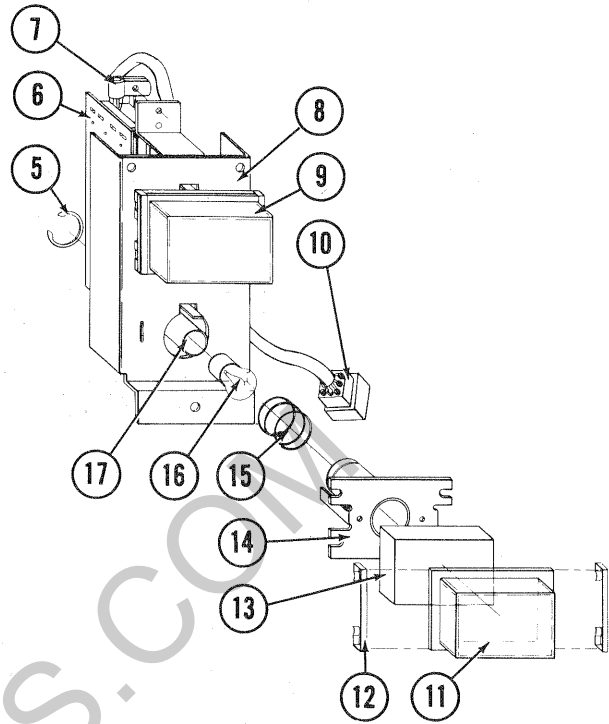
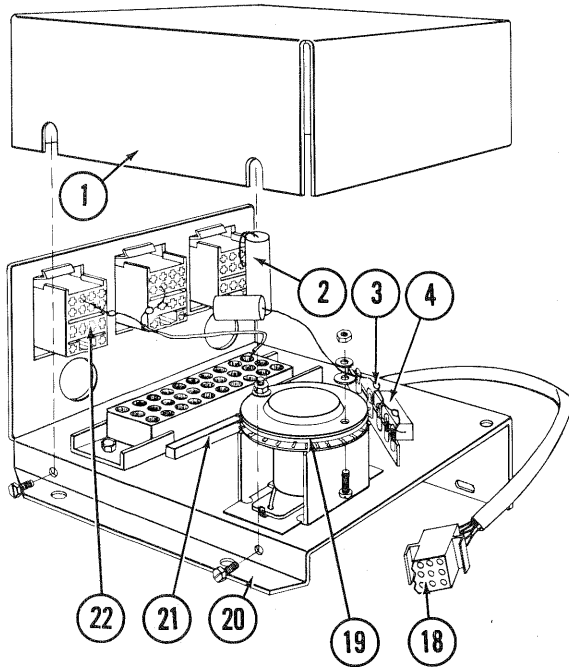
## ILLUSTRATED PARTS LIST CON'T

	ALL MODELS		ALL MODELS
15. Latch Solenoid	112104	30. Resistor, 85 ohm, 5W	74819-2
Plunger, Solenoid	112104-1	31. Gusset, L. H.	136299
Pin, Solenoid Plunger	65947	32. Resistor, 175 ohm, 5W (2)	74824-2
Washer	487	33. Socket, Molex, 48	130019
Cotter Pin	23355	Pin	132000
16. Mounting Bracket, Latch		34. Selector Switch, Letters	
Solenoid	117747	3500-3560	136085
Washer	54024	Selector Switch, Letters 3510	136037
17. Switch Assembly	60518	35. Snap Bushing (2)	74849-10
Retainer Plate	63014	36. Connector Link Plate (2)	126521
Mounting Bracket	121005	Spacer, Link, Selector	
18. Switch and Bracket Assembly,		Switch (4)	126299
Series, Numbers	111810	Washer	27787
Switch Assembly	64981	37. Connector Link (2) 3500-3560	126550
Retainer Plate	63014	Connector Link (2) 3510	126551
Mounting Bracket	111746	Sholder Bushing, Link (4)	124018
19. Switch and Bracket Assembly,		Spacer, Shoulder Bushing (2)	124040
Latch Solenoid	134396	38. Shaft, Link and Lever Assembly	126510
Switch Assembly	134397	39. Shaft, Link and Lever Assembly	126507
Retainer Plate	63014	40. Clamp	76808-13
Mounting Bracket	125402		
Washer	73608-45		
20. Latch Lever, Numbers	65009		
Washer	73608-45		
21. Trip Lever, Right Hand,			
Numbers	117694		
Stop Nut, 10-32	74988-14		
Washer (2)	67610		
Washer	56773		
Spring, Trip Lever, Right Hand	57129		
22. Trip Lever, Left Hand, Letters	117691		
Spacer	57790		
Spring, Trip Lever, Left Hand	120067		
23. Switch and Bracket Assembly,			
Series, Letters	66007		
Switch Assembly	64982		
Retainer Plate	63014		
Mounting Bracket	64991		
24. Switch Assembly	60518		
Retainer Plate	63014		
Mounting Bracket	121005		
25. Cover and Clip Assembly	136731		
26. Release Lever	129102		
Washer	56773		
Spring, Solenoid Return	57130		
27. Latch Lever, Letters	117695		
Washer	73608-45		
28. Stop Bracket	56628		
Washer (2)	27787		
Rubber Grommet	117689		
29. Switch, L. P. Conversion (2)	62886		



JUNCTION BOX ASSEMBLY ILLUSTRATED PARTS LIST

1. Cover Assembly, Motor	136898	16. Receptacle, 30	134031
2. Contact Plate and Wire Assembly (Cancel)	136895	Clamp (2)	654140
3. Spacer (4)	119254	Pin (24)	132000
4. Contact Spring and Hub Assembly	124453	Contact (1)	132001
5. Contact Plate and Wire Assembly (Motor)	136892	17. Capacitor, 2000 mfd., 35V D. C.	77451
6. Mounting Plate and Stud Assembly	119267	Capacitor, 500 mfd., 50 WV	74909
7. Receptacle, 48	130020	Capacitor, 100 mfd., 6V	74432-132
Contact (44)	132001	Diode (6)	76700-2
Pin (1)	132000	Diode	76700-21
Jumper Plug Assembly	137380	Diode, Zener	128449
8. Receptacle, Relay Socket, White (5)	136336	Rectifier (3)	71588-21
Terminal, Relay Socket	136335	Resistor, 27 ohm, 1/2W, 10%	72154-32
9. Relay, White (5)	122133	Resistor, 56 ohm, 1/2W, 10%	72162-32
Holddown Spring, Relay (5)	134840	Resistor, 2K ohm, 1/2W, 5%	72199-31
10. Relay, Red	122366	Resistor, 1.2 ohm, 2W, 5%	74478-31
Holddown Spring (1)	134840	Resistor, Variable, 1K ohm	136517
11. Receptacle, Relay Socket, Red	136337	18. Relay (2)	130762
Terminal, Relay Socket	136335	19. Relay	136380
12. Receptacle, 15-R	131892	20. Motor	119275
13. Receptacle, 9-R	131931	21. Printed Board Assembly	133884
14. Receptacle, 15-W	131888	22. Circuit Breaker	136797
15. Plug, 12-B	136791	23. Fuse Post	126853
		Fuse, 8A	71590-33
		24. Cover	135316
		Label	136969
		Adjustable Latch Assembly (Not Shown)	136060



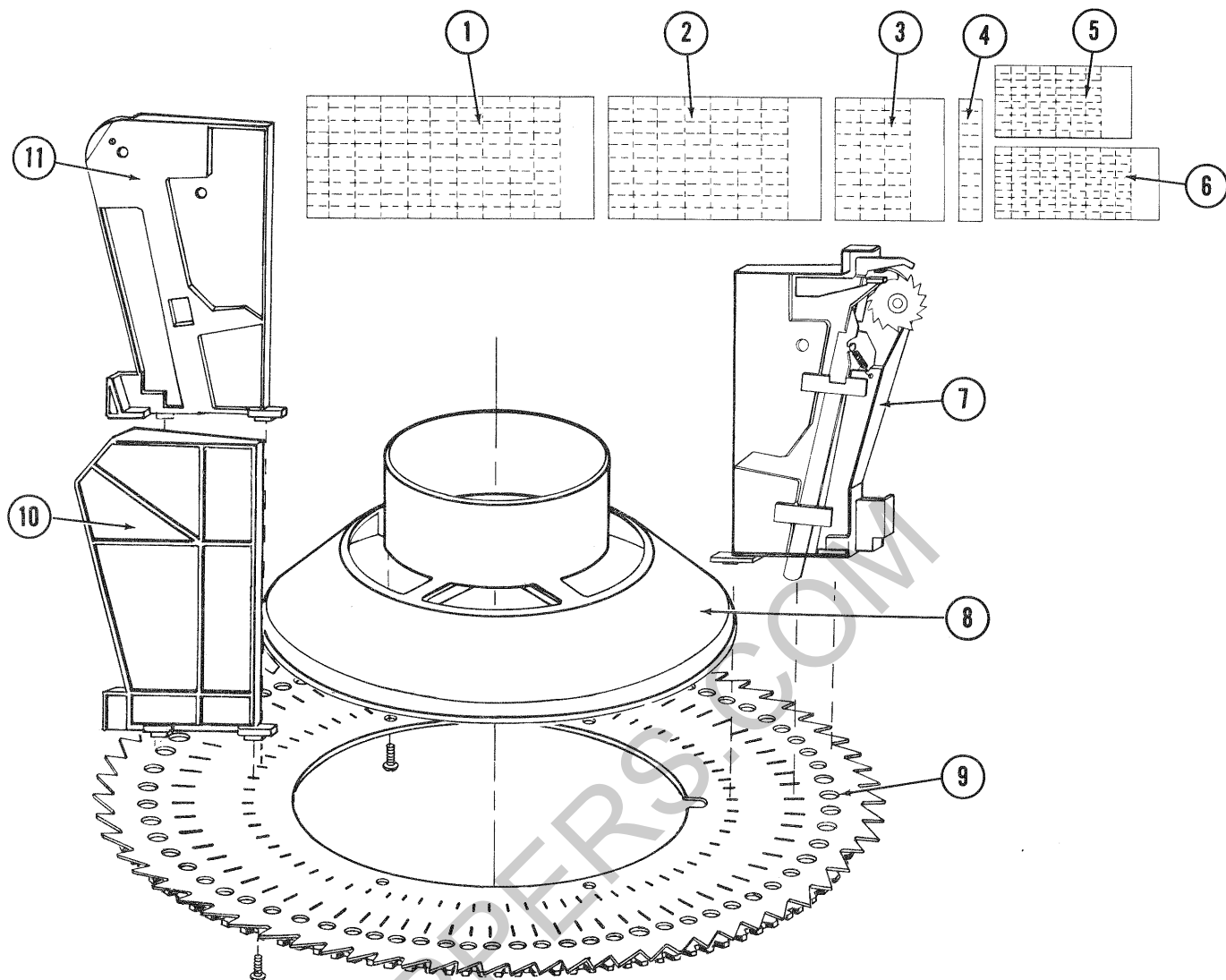
TOP TUNE UNIT AND SUPPORT BUTTON AND CABLE ASSEMBLY ILLUSTRATED PARTS LIST

1. Cover and Silk Screen Assembly	136961	14. Mounting Plate and Plunger	
2. Capacitor, 50 mfd., 50V (2)	73845-22	Assembly (2)	134756
3. Diode (4)	76700-2	15. Spring (2)	134841
4. Resistor, 85 ohm, 5W	74819-2	16. Bulb, #51 (2)	37987
5. Retaining Ring (2)	73728-75	17. Light Socket and Wire	
6. Switch	136176	Assembly (2)	134812
7. Cable Clamp	73804-4	18. Receptacle, 9	131173
8. Guide Plate and Support		Contact (8)	132001
Housing Assembly	136223	19. Relay	61919
9. Button	134834	20. Chassis and Insulated Mounting	
Insert, Button	137204	Strip Assembly	136960
Insert, Blank, Burgandy	137114	21. Plug, 30	134030
10. Plug, 9	131174	Pin (25)	132000
Pin, 8	132000	Contact (1)	132001
11. Button	134834	22. Receptacle, Relay Socket (3)	136336
Insert, Button	137205	Relay, White (3)	122133
12. Retainer (4)	134814	Holddown Spring (3)	134840
13. Insert, Blank, Gold	134835		

INDEX TO PARTS DRAWINGS

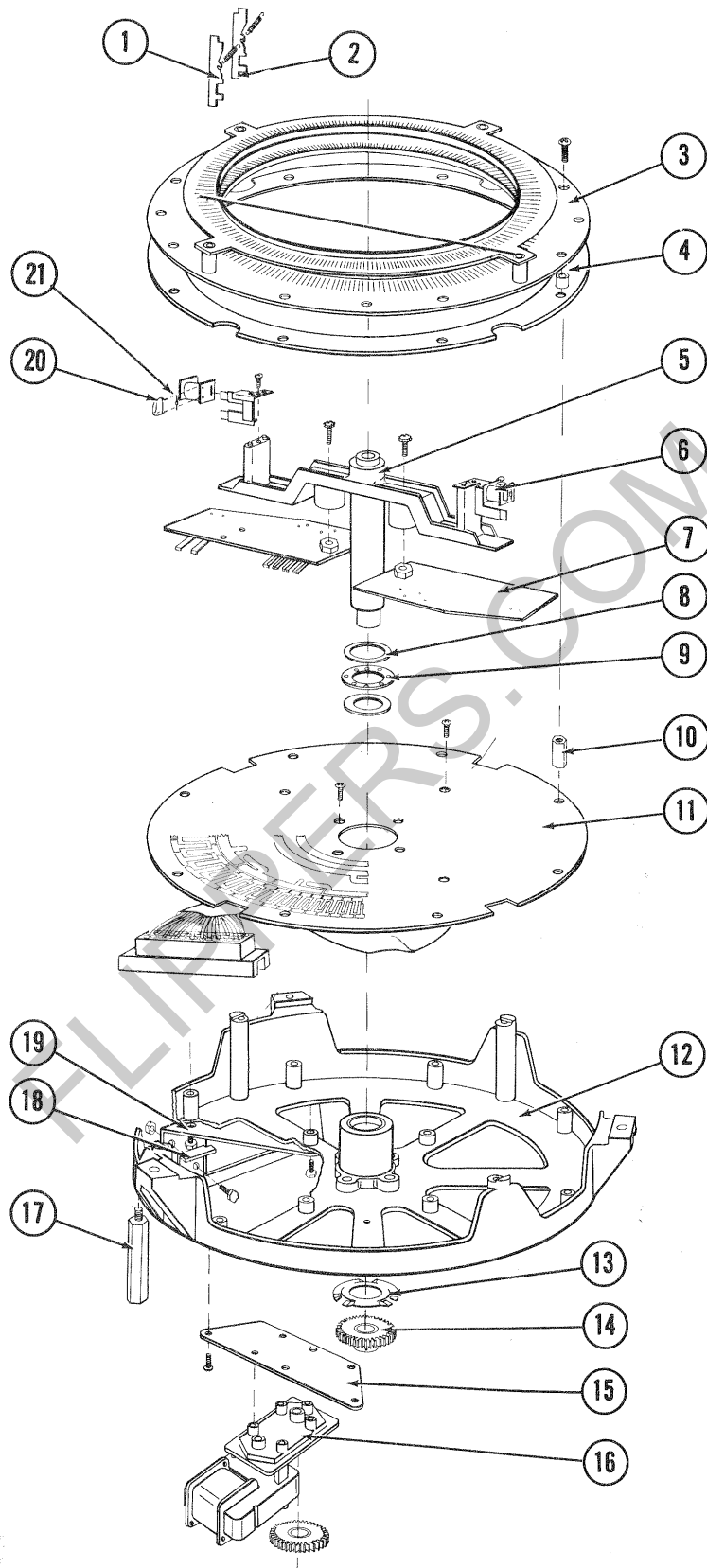
Record Magazine Assembly .....	Page	23
Selection Accumulator .....	Page	24 - 25
Record Changer L.H. ....	Page	26 - 27
Cam and Gear Assembly .....	Page	28 - 29
Record Takeout Arm .....	Page	30
Turntable Assembly .....	Page	31
Tone Arm Assembly .....	Page	32
Control Unit Assembly .....	Page	33
Turntable and Mounting Plate Assembly .....	Page	34 - 35
Record Changer R.H. ....	Page	36 - 37





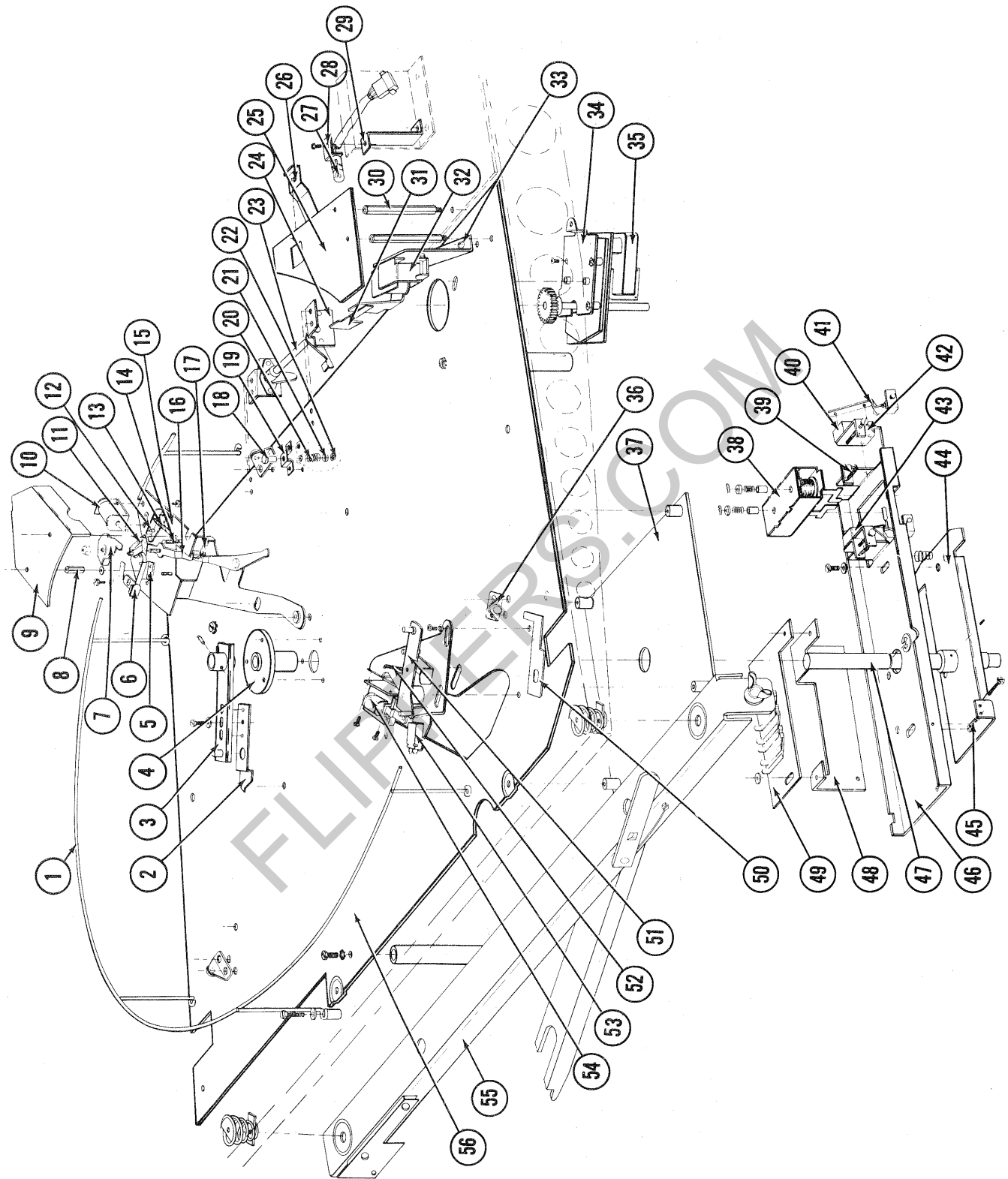
RECORD MAGAZINE ASSEMBLY

1. Label, Record Playing	3500	136770	10. Filler, Record Magazine	3500	3560	136513
2. Label, Record Playing (Numbers 2 through 8)	3560	136771	Filler, Record Magazine Support Bracket, Filler	3560	134896	136514
3. Label, Record Playing (Letters C through K)	3510	136773	Support Bracket Assembly, Filler Mounting Bracket Assembly	3560	135235	
4. Label, Record Playing (Number 1)	3560	136772	Filler, Record Magazine (2)	3510	136515	
5. Label, Record Magazine Loading	3500	3510	Support Bracket, Filler (2)	3510	134896	
6. Label, Record Magazine Loading	3560	134873	Support Bracket Assembly, Filler (2) Mounting Bracket Assembly (2)	3510	135235	
7. Record Separator Assembly		135982	Record Separator and Counter Assembly			135979
8. Casting, Record Holder		136521				
9. Plate and Gear Assembly		135958				



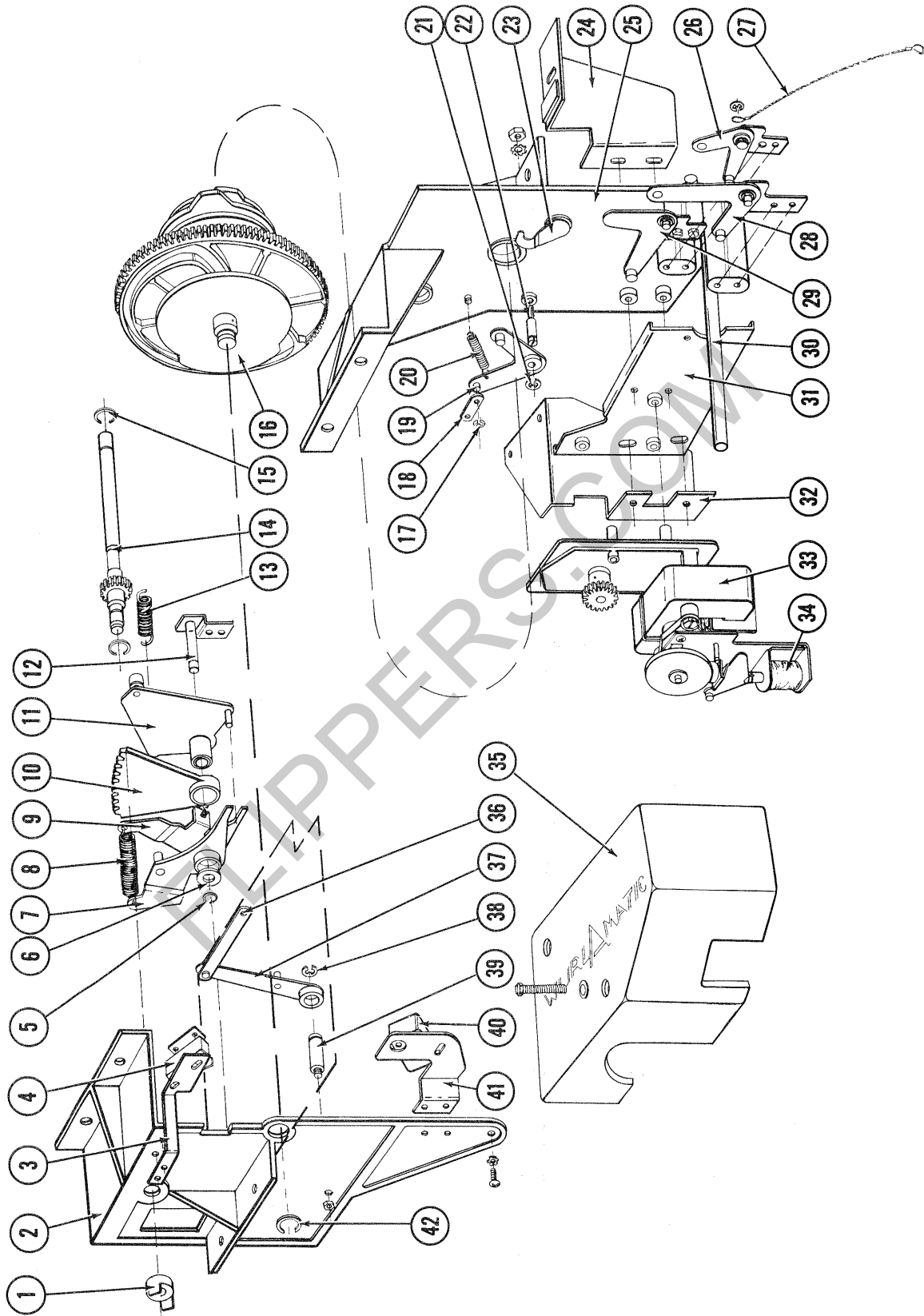
## SELECTION ACCUMULATOR ILLUSTRATED PARTS LIST

1.	Latch Pin, Inside		128321
2.	Latch Pin, Outside		128320
	Spring, Latch Pin, Selection		
	Accumulator		128322
3.	Ring and Spacer Assembly	3500	133532
	Ring and Spacer Assembly	3560	134245
	Ring and Spacer Assembly	3510	134082
	Spacer (8)		128324
4.	Plate, Pin Stop		133348
5.	Shaft and Magnet Arm Assembly,		
	Selection Accumulator		133499
6.	Bobbin and Wire Assembly (2)		133375
7.	Contact Plate and Blade Assembly (2)		136360
8.	Thrust Washer (2)		122630
9.	Ball Race		122631
10.	Spacer, Selection Accumulator		133886
11.	Contact Board and Cable		
	Assembly	3500	136353
	Contact Board and Cable		
	Assembly	3560	136354
	Contact Board and Cable		
	Assembly	3510	136355
	Plug, 45		134045
	Pin		132000
12.	Casting and Bearing Assembly,		
	Selection Accumulator		133531
	Clutch Bearing		128638
13.	Spring Washer		126739
14.	Gear and Hub Assembly, Selection		
	Accumulator, Shaft		128305
	Set Screw, 8/32 x 3/16		73528-29
15.	Motor Mounting Plate, Selection		
	Accumulator		128291
16.	Motor and Gear Assembly		135136
	Gear and Hub Assembly		128293
	Roll Pin		73782-34
17.	Support Leg, Selection		
	Accumulator (For Service Only)		133420
18.	Clamp (2)		654140
19.	Mounting Bracket, Plug		136635
20.	Capacitor, .18 mfd. 75V (2)		76201-17
21.	Diode, Zenner (2)		128449



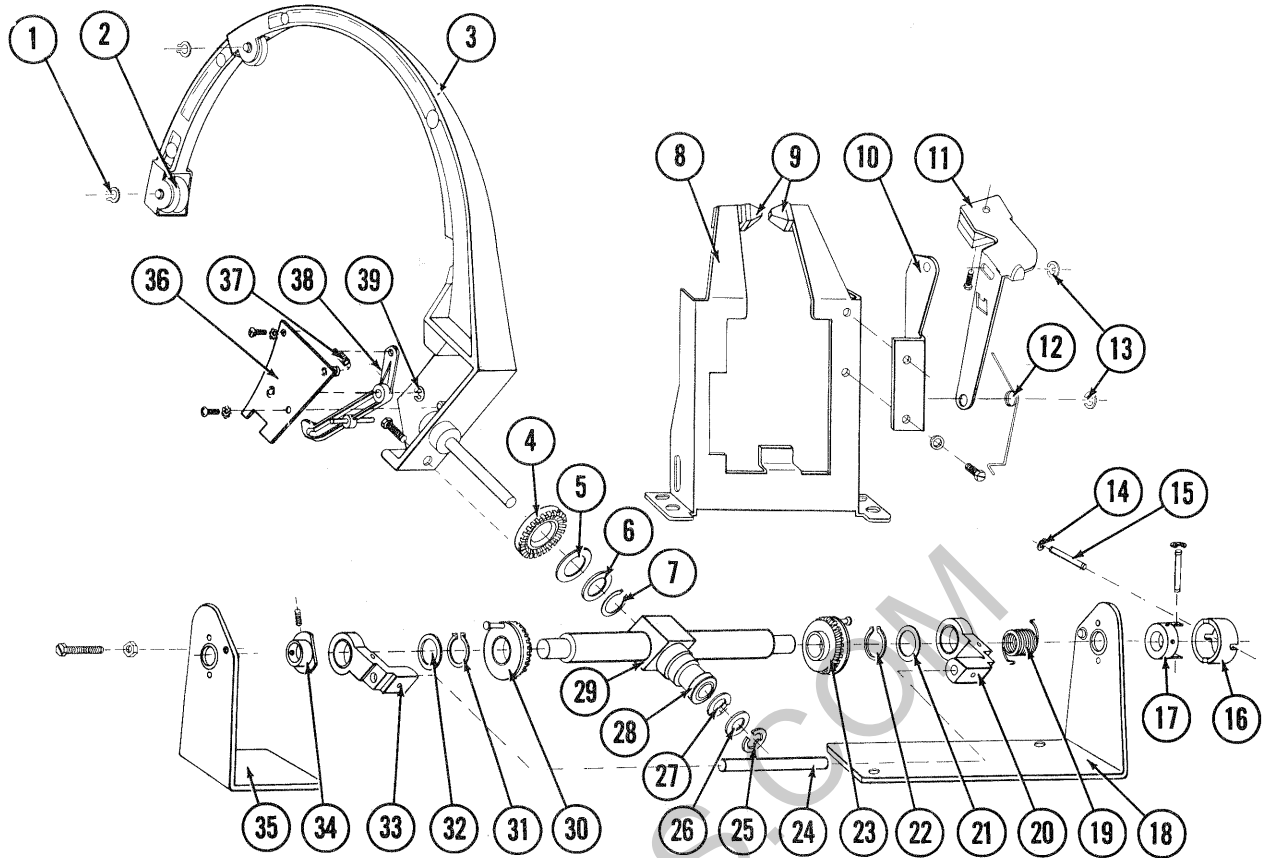
## RECORD CHANGER ILLUSTRATED PARTS LIST, L.H.

1. Record Support	136491	36. Mounting Bracket and Roller assembly	135707
2. Cam, Override	135922		
3. Drive Arm and Contact Blade Assembly	137318	37. Contact Board and Wire Assembly, Deluxe	136426
(Part of Drive Arm and Support Arm Assembly, 137333)		Contact Board and Wire Assembly, Standard	136455
Roll Pin	73724-50	38. Cancel Solenoid Assembly (2)	133476
4. Housing and Clutch Assembly	128643	Internal Hair Pin (2)	74402-1
5. Guide, Ratchet	128367	Cup Washer (2)	64766
Spacer (2)	135185	Spring (2)	64780
6. Switch and Bracket Assembly	135959	Plunger (2)	133374
Switch Assembly	129370	39. Spring, Readout Switch (2)	133426
Retainer Plate	63014	40. Switch and Actuator Lever Assembly, Side 2	135803
Mounting Bracket	135924	41. Pretravel Bracket and Stop Nut Assembly (2)	135499
7. Ratchet Wheel and Hub Assembly	128363	42. Bracket Assembly, Readout (2)	133475
8. Spacer Stud (2)	135938	43. Switch and Actuator Lever Assembly, Side 1	135802
9. Cover, Override	136458	44. Support Arm and Stop Nut Assembly	137315
10. Solenoid	133482	(Part of Drive Arm and Support Arm Assembly, 137333)	
Gripring	76922-12	Roll Pin	73782-51
11. Spring, Lever and Link	136154	Retaining Ring	73724-39
12. Latch and Pin Assembly	135969	Spring (2)	137330
13. Spring, Armature	136236	45. Spring	133418
14. Spring, Ratchet Wheel	128647	46. Arm, Readout Resistor 175 ohm, 5W (2)	74824-2
15. Mounting Plate and Stud Assembly	135964	47. Shaft, Drive Arm	135929
16. Lever Assembly, Override	135967	(Part of Drive Arm and Support Arm Assembly, 137333)	
Retaining Ring	73724-15	48. Bracket, Contact Plate	136039
17. Spring	133543	49. Contact Plate and Blade Assembly, Deluxe	136438
18. Plunger, Counter Wheel Actuator	133951	Contact Plate and Blade Assembly, Standard	136472
19. Bracket, Plunger	133950	50. Positioning Plate, Magazine Lock	135212
20. Spring, Plunger	134000	51. Locking Arm and Link Assembly	136431
21. Cup Washer	124530	Spacer	129818
22. Retaining Ring	73724-25	Stop Nut 4-40	74988-7
23. Counter Lever and Shaft Assembly	133952	52. Spring	128748
24. Bearing Bracket and Bushing Assembly	133959	53. Switch	128344
25. Plate and Silk Screen Assembly	136464	Tapping Plate	128283
Plate, Record Playing	137359	54. Solenoid	128343
(Deluxe Only)		Circuit Breaker	135187
26. Mirror, Record Playing	134891	55. Channel and Fall Support Assembly, Left Hand	136474
27. Lamp, #1829	56763	Adjustable Panel Latch	136060
28. Light Socket and Wire Assembly	110454	Spacer (5)	136504
Plug, 6	131172	Spring	136734
Pin (3)	132000	56. Mounting Plate	136076
29. Light Bracket, Record Playing	136466		
30. Spacer, Record Playing Plate	137026		
31. Window Plate and Rivet Assembly	134592		
32. Magnet and Frame Assembly	135771		
33. Mounting Bracket, Window Plate	136462		
34. Mounting Plate and Spacer Assembly	134003		
35. Motor and Gear Assembly	133487		
Plug, 2	129377		
Pin (2)	132000		



## CAM AND GEAR ASSEMBLY ILLUSTRATED PARTS LIST

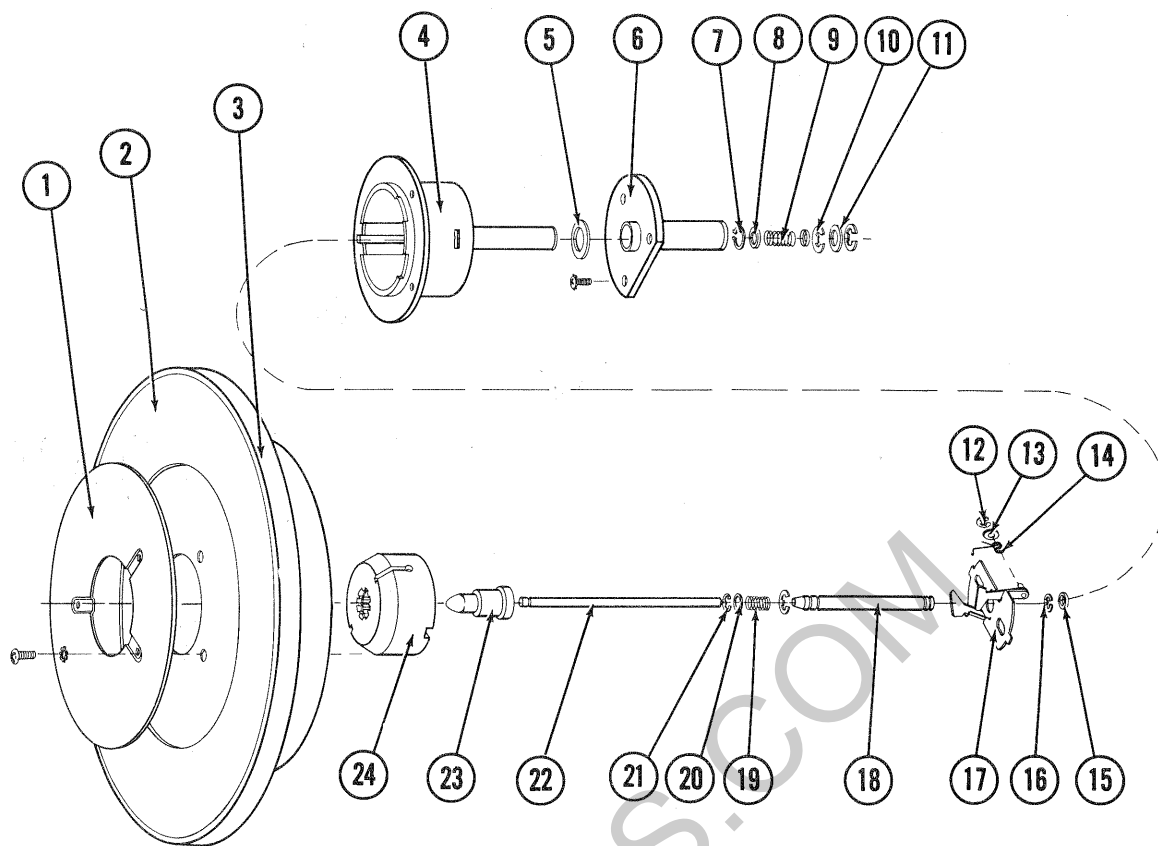
1. Coupling	128169	27. Cable Assembly, Turntable Drive	
Set Screw, 8/32 x 3/16 FL	73513-29	Pully	128500
2. Casting and Bushing Assembly	133079	Retaining Ring (2)	73724-18
3. Mounting Bracket, Transfer Switch	128724	28. Pivot Plate and Lever Assembly	133721
4. Switch, Transfer	128344	Lever and Bushing Assembly	132907
Tapping Plate	128283	Retaining Ring	73724-25
5. Retaining Ring	73727-25	Pivot Plate and Stud Assembly	128241
6. Washer	133145	29. Pivot Plate and Lever Assembly	133719
7. Actuating Arm and Hub Assembly	133121	Lever and Bushing Assembly	132903
8. Spring, Record Takeout Segment		Retaining Ring	73724-25
Gear	133096	Pivot Plate and Stud Assembly	133794
9. Actuating Arm and Hub Assembly	133115	30. Shaft, Housing	128151
10. Segment Gear, Record Transfer	133144	31. Mounting Bracket and Spacer	
11. Roller Bracket Assembly	132869	Assembly, Drive Motor	128251
12. Mounting Plate and Shaft Assembly,		32. Bracket and Angle Assembly,	
Record Transfer	135156	Main Cam Motor	135760
13. Spring, Takeout Arm Return	135399	33. Motor and Gear Assembly	136782
14. Shaft and Gear Assembly, Record		Gear, Motor	135259
Transfer	128118	Roll Pin	73782-32
15. Retaining Ring (2)	73728-37	34. Motor Brake Assembly	136783
16. Cam Assembly	135972	Mounting Plate and Pin	
17. Retaining Ring (2)	73724-18	Assembly	133484
18. Link, Record Clamp	128275	Lever and Pad Assembly	133429
19. Lever and Bushing Assembly,		Spring, Motor Brake	133428
Record Clamp	132901	Locknut, #4-40	74988-7
20. Spring	59606	Washer	53519
21. Retaining Ring	73724-25	Roll Pin	73782-2
22. Stud, Pivot	128129	Solenoid, Cancel	133483
Lockwasher #8	73604-6	Washer (2)	32629
23. Adjustment Lever and Lever Pin		35. Cover, Cam and Gear	136422
Assembly	137325	36. Link, Record Release	128141
Roll Pin	73782-32	37. Lever and Bushing Assembly	132911
24. Support Bracket and Filler		38. Retaining Ring	73728-25
Assembly	135769	39. Stud, Pivot, Record Release	128180
25. Casting and Bushing Assembly	132872	40. Micro Switch, Cancel	128418
26. Pivot Plate and Lever Assembly	133720	41. Mounting Bracket and Plate	
Lever and Bushing Assembly	132905	Assembly	128661
Retaining Ring	73724-25	42. Retaining Ring	73728-37
Pivot Plate and Stud Assembly	128240		



RECORD TAKEOUT ARM ILLUSTRATED PARTS LIST

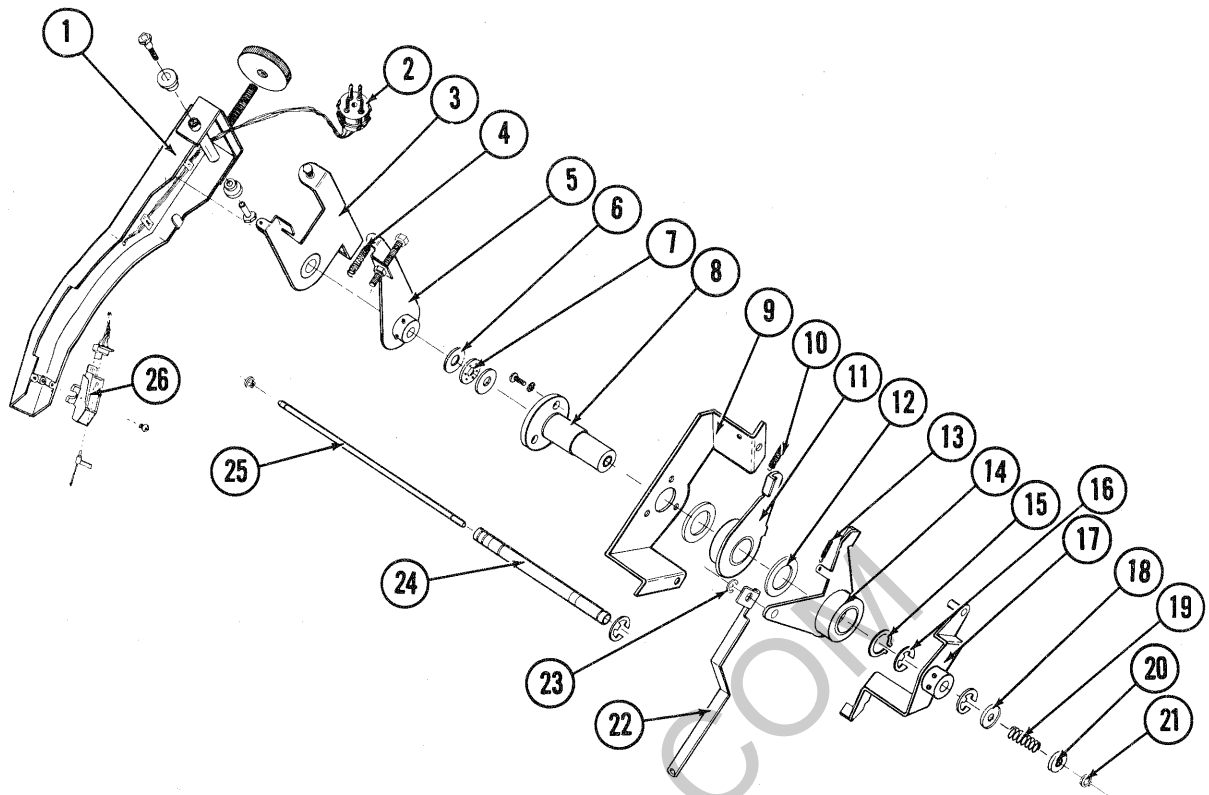
1. Gripring (4)	76922-12	20. Bail and Bushing Assembly	128590
2. Roller, Record Arm (2)	135351	Set Screw, 6-32 x 3/16	
Shaft, Record Arm		C. P. (2)	73511-19
Roller (2)	135797	21. Washer, Pivot Casting	128101
3. Record Arm Casting	136401	22. Retaining Ring	73727-50
4. Bevel Gear, Record Arm	128092	23. Gear and Plate Assembly	128585
5. Washer	128093	24. Connecting Rod, Bail	128107
6. Spring Washer	73632-36	25. Retaining Ring	73724-31
7. Retaining Ring	73727-56	26. Washer	65778
8. Mounting Bracket, Record		27. Spring Washer	73632-109
Guide	136441	28. Washer, Record Arm	135792
9. Record Guide (2)	136292	29. Pivot Casting and Shaft	
10. Mounting Bracket and Pin		Assembly	132675
Assembly	136448	30. Gear and Plate Assembly	128587
11. Magnet Arm Assembly	136445	31. Retaining Ring	73727-50
Magnet (2)	136447	32. Washer, Pivot Casting	128101
12. Spring	136452	33. Bail and Bushing Assembly	128589
13. Retaining Ring (2)	73724-18	Set Screw (2)	73511-19
14. Gripring (4)	76922-12	Screw (Special)	128105
15. Pin, Coupling (2)	136937	Nut, 5-40 (Small)	128578
16. Coupling Connector	136936	34. Holdout Cam	135179
17. Coupling	128170	Set Screw (2)	73513-29
Roll Pin	73782-35	35. Pivot Bracket and Bushing	
18. Pivot Bracket and Bushing		Assembly	136408
Assembly	136407	36. Mounting Plate and Pin	
19. Spring, Record Arm	128533	Assembly	133372
		37. Spring, Record Clamp	128520
		38. Record Clamp and Pin Assembly	133434
		39. Retaining Ring	73724-18





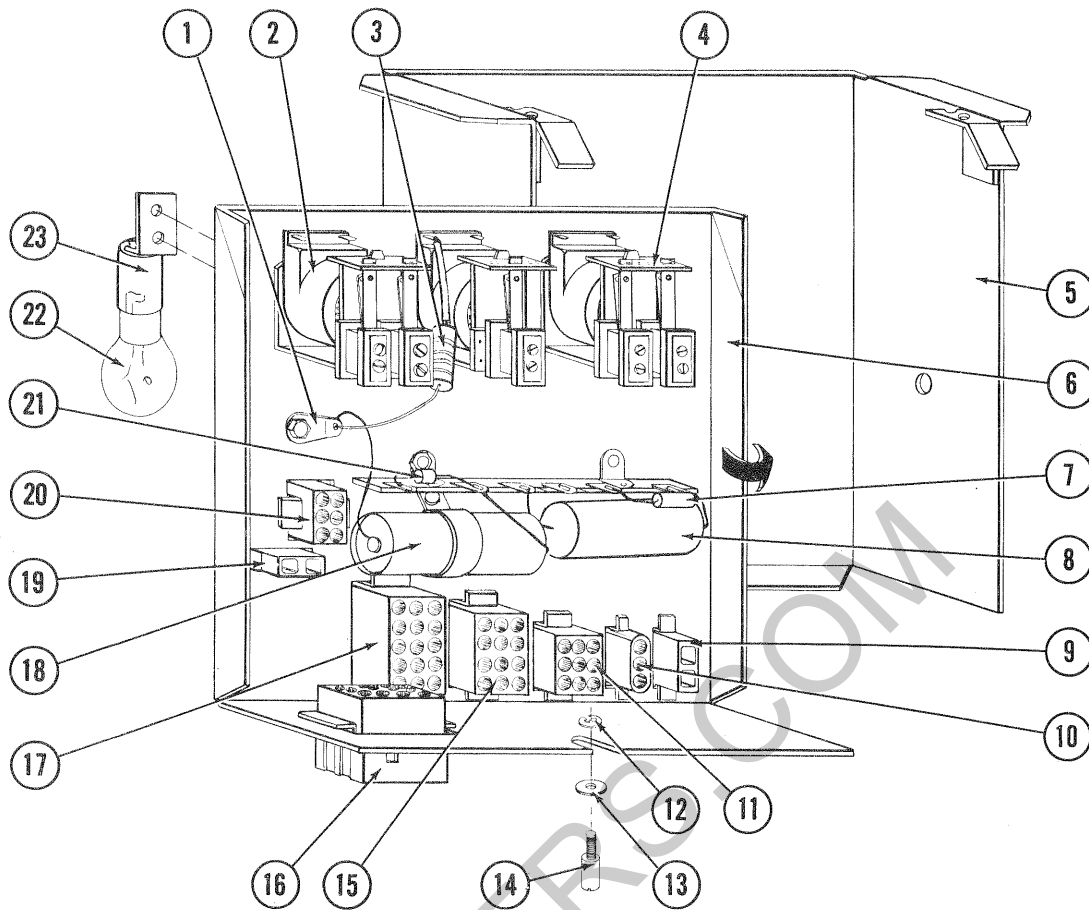
TURNTABLE ASSEMBLY ILLUSTRATED PARTS LIST

1. Ring, Turntable	128022	12. Gripring (2)	76922-12
Screw, 6-32 x 3/8 Truss (3)	76719-68	13. Washer (2)	50494
Lockwasher (3)	73604-5	14. Spring, Pilot Lever (2)	128009
2. Turntable	128038	15. Washer, Felt	124520
3. Pad	128042	16. Retaining Ring (2)	73724-25
4. Pilot Guide and Shaft Assembly, Turntable	136022	17. Mounting Plate Assembly, Clamp Levers	128052
5. Bushing	128179	18. Tube, Pilot	128021
6. Support Casting and Bushing Assembly, Turntable	128023	19. Spring, Cam	128008
7. Retaining Ring	73727-43	20. Cup Washer	128030
8. Cup Washer (2)	124530	21. Gripring	76922-12
9. Spring, Pilot	128007	22. Shaft, Cam	135794
10. Retaining Ring (2)	73724-25	23. Cam, Clamp Lever	135048
11. Washer	128004	24. Pilot, Turntable	136025



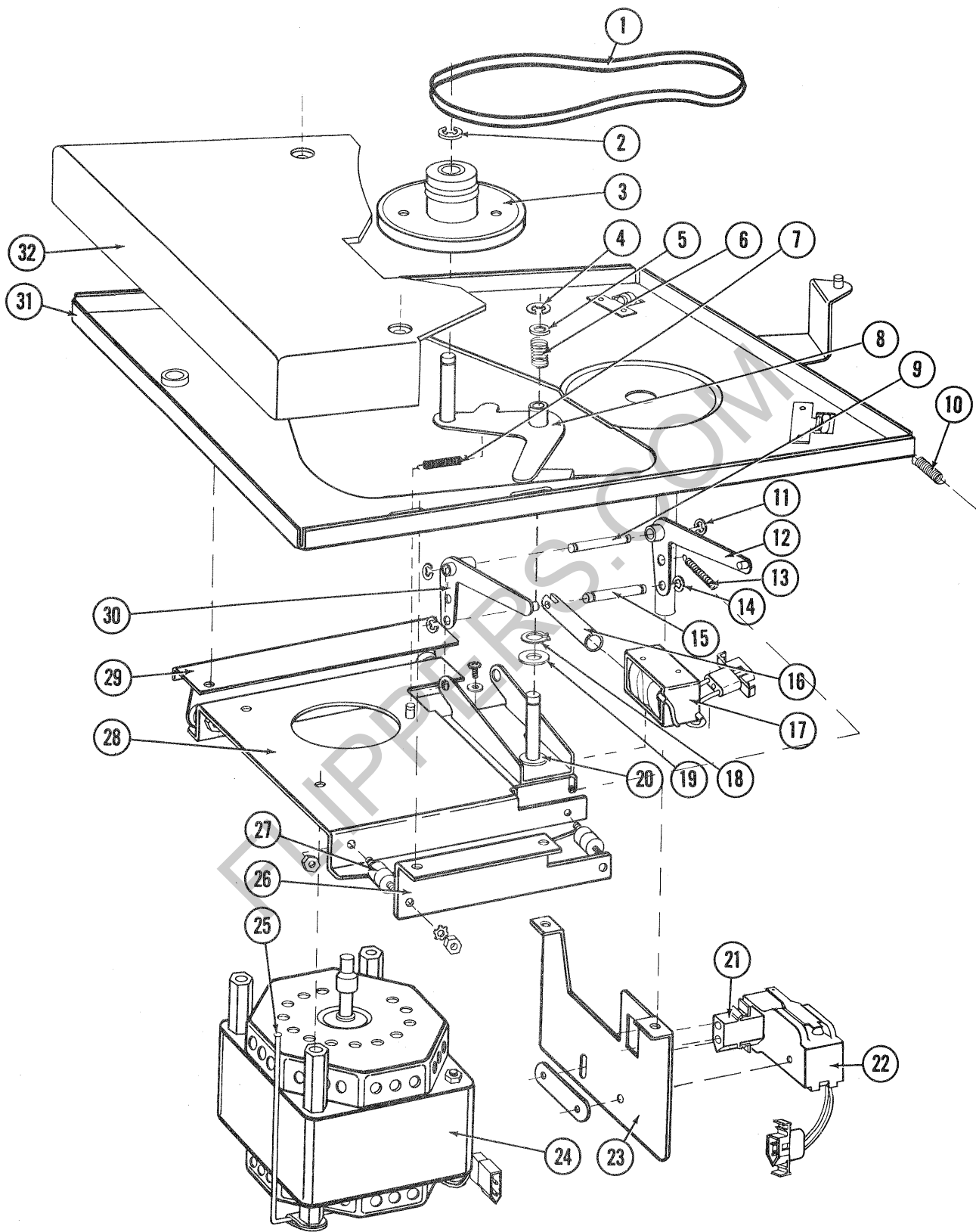
## TONE ARM ASSEMBLY ILLUSTRATED PARTS LIST

1. Tone Arm and Pivot Rod Assembly	132850	9. Mounting Bracket, Tone Arm	132928
Tone Arm	132846	10. Spring (3 1/2 oz. at 1 1/8")	59710
Balance Bracket and Weld Screw		11. Adjustment Lever and Hub	
Assembly	133544	Assembly	133127
Pivot Stud	135836	12. Washer	59864
Pivot Screw	135835	13. Spring (1 lb. 12 oz. at 15/16")	59615
Sleeve	135262	14. Lever and Bushing Assembly	133074
Bushings (2)	135260	15. Retaining Ring	73727-50
Weight and Stop Nut Assembly	128596	16. Retaining Ring	73727-25
2. Wire and Plug Assembly	137111	17. Pivot Arm and Pin Assembly	136410
Plug, 4 Prong	69089	Set Screw, 8/32 x 3/16 Cup (2)	73511-29
Speed Nut (4)	73655-6	18. Cup Washer	128030
Speed Nut	73655-5	19. Spring	128008
3. Mounting Bracket and Stop Nut		20. Cup Washer	128030
Assembly	136191	21. Gripring (2)	76922-12
Pivot Screw, Tone Arm	135928	22. Link, Tone Arm Feed in	132927
4. Spring (1 lb. 12 Oz. at 15/16")	59615	23. Retaining Ring (2)	73724-18
5. Adjusting Bracket and Stop Nut		24. Tube, Tone Arm	133459
Assembly	132849	25. Shaft, Tone Arm	135795
Set Screw, 8/32 x 3/16 Cup (2)	73511-29	26. Cartridge	133352
6. Washer (2)	128072	Needle, Double Tip Diamond	135116
7. Ball Race, Tone Arm Shaft	128491		
8. Support Casting and Bushing			
Assembly	128069		



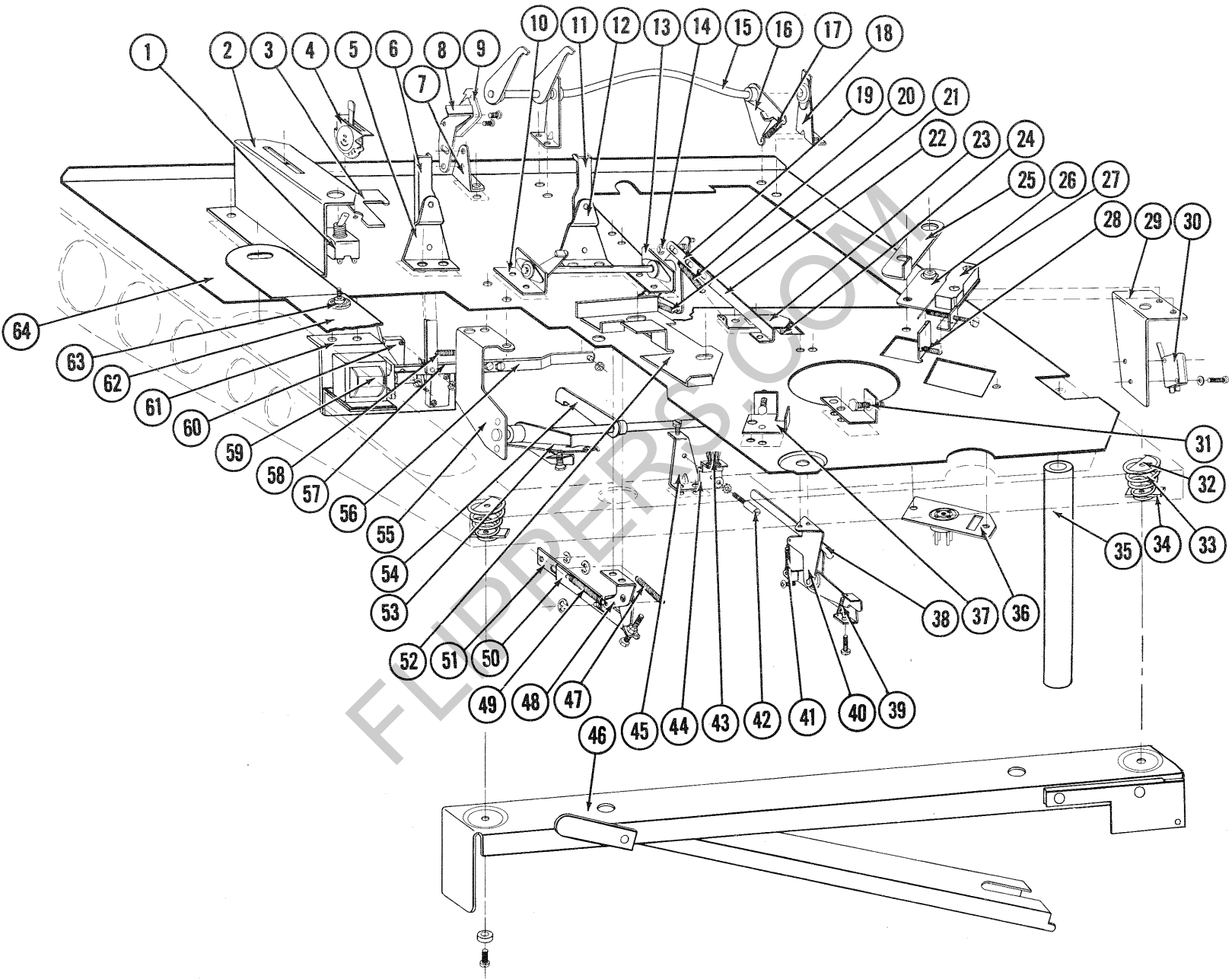
CONTROL UNIT ASSEMBLY ILLUSTRATED PARTS LIST

1. Solder Lug	63519	12. Retaining Ring	73724-12
2. Relay	136495	13. Washer	51822
3. Resistor, 680 ohm, 10%, 1 W	72332-32	14. Thumb Screw	135367
4. Relay (2)	135242	15. Receptacle, 12 Contact (11)	131175 132001
5. Sides, Bottom and Bracket Assembly	136497	16. Plug, 12 Pin (9)	131176 132000
6. Chassis and Mounting Strip Assembly	136485	17. Receptacle, 15 Contact (13)	131888 132001
7. Resistor, 10 ohm, 10%, 1/2 W	72144-32	18. Capacitor, 500 mfd., 50 V	74909
8. Capacitor, .47 mfd., 400 V	71549-14	19. Receptacle, 2 Contact (2)	129382 132001
9. Receptacle, 2 Contact (2)	129382 132001	20. Receptacle, 6 Contact (5)	131171 132001
10. Receptacle, 3 Contact (2)	130254 132001	21. Diode	76700-2
11. Receptacle, 9 Contact (8)	131173 132001	22. Lamp, #305	135165
		23. Light Socket	122358



## TURNTABLE AND MOUNTING PLATE ASSEMBLY ILLUSTRATED PARTS LIST

1. "O" Ring	128579	22. Micro Switch	60655
2. Retaining Ring	73724-25	Tapping Plate	128025
3. Drive Wheel Assembly	128032	Plug - 3	130253
4. Retaining Ring	73724-25	Pin (2)	132000
5. Cup Washer	124530	23. Mounting Plate, Speed Change	128026
6. Spring, Shift, Turntable Drive	128534	24. Motor and Sleeve Assembly	129391
7. Spring, Drive Wheel Arm (6 1/2 oz. at 1 1/8")	133543	Plug - 2	129377
8. Arm, Hub and Link Assembly	128537	Pin (2)	132000
9. Shaft, Pivot, Bell Crank	124519	25. Oil Tube	128727
10. Spring, Turntable Return (6 1/2 oz. x 1 1/8")	133543	Washer	42120
11. Retaining Ring (2)	73724-18	Cable Clamp	73804-2
12. Bell Crank and Hub Assembly, L. H.	128046	26. Mounting Bracket, Turntable Plate	133460
13. Spring, Solenoid Assist (8-10 oz. at 2 5/16")	124487	27. Rubber Mount (4)	60882
14. Retaining Ring (2)	73724-15	Nut (8)	73601-7
15. Shaft, Solenoid, Bell Crank	124518	Lockwasher (8)	73604-6
16. Plunger, Solenoid	121095A	28. Motor Mounting and Pivot Bracket Assembly	128054
17. Solenoid and Plug Assembly	129423	29. Mounting Bracket, Turntable Plate	133642
Solenoid	121095	30. Bell Crank and Hub Assembly, R. H.	128045
Plug - 3	130253	31. Mounting Plate and Roller Assembly	128173
Pin (2)	132000	Spacer (2)	134864
18. Retaining Ring	73727-50	Lockwasher (2)	73604-6
19. Washer	124521	Washer (4)	54024
20. Washer, Felt	124520	32. Cover, Turntable	136421
21. Receptacle - 3 Contact (2)	130524 132001		



## RECORD CHANGER ILLUSTRATED PARTS LIST, R. H.

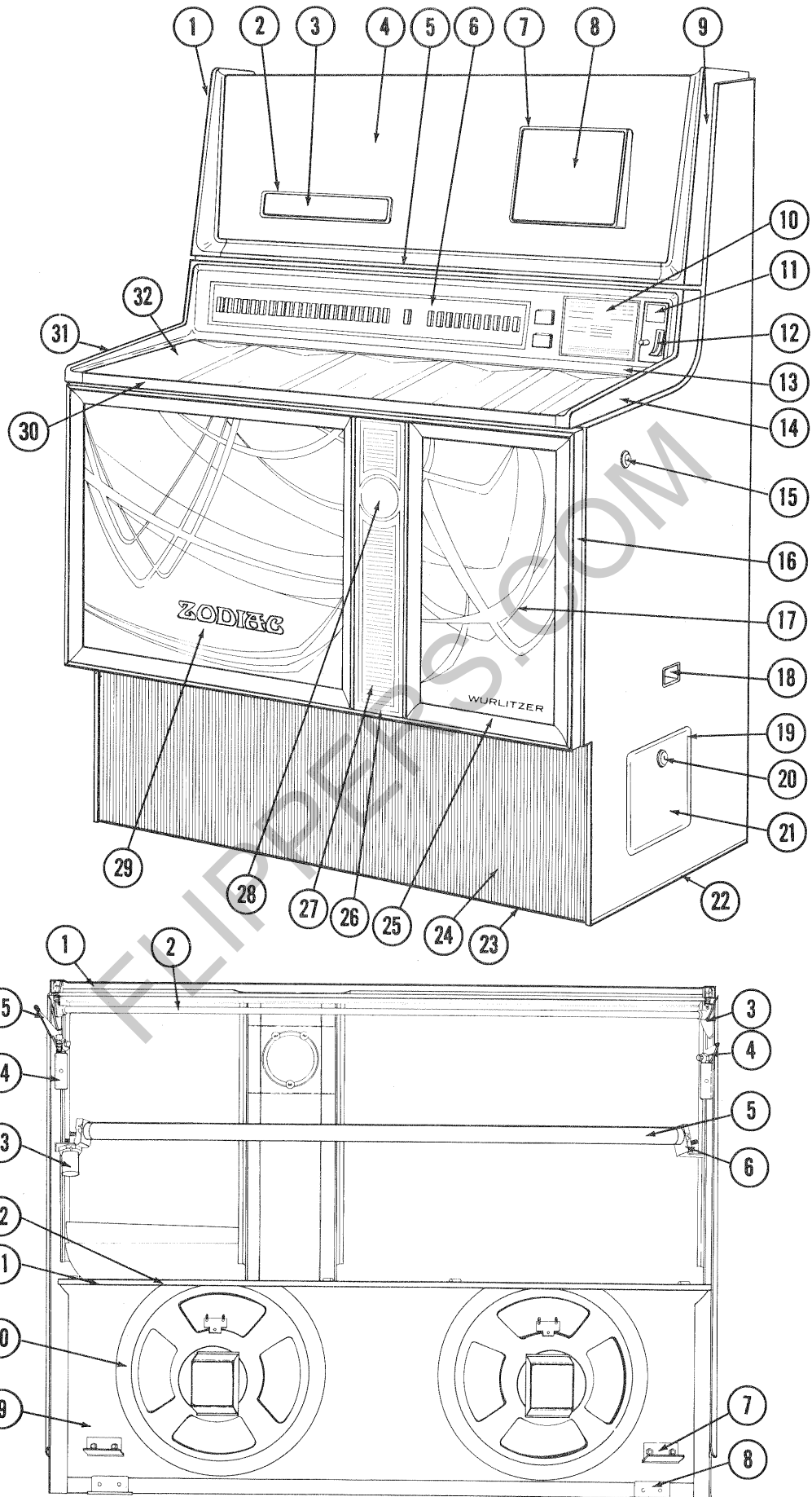
1. Switch Service	121301	36. Mounting Plate and Socket Assembly	133978
2. Mounting Bracket and Silk Screen Assembly	136414	Socket, 4 Min.	69090
3. Locating Plate, Record Arm Assembly	136366	37. Bracket and Stop Nut Assembly, Turntable Stop	133973
4. Switch, Scan	137203	38. Link, Tone Arm Lift	133395
5. Pivot Bracket and Stop Nut Assembly	128611	Retaining Ring (2)	73724-18
Set Screw, 6-32 x 3/8 Oval	73515-22	39. Spring	59612
6. Stop and Bearing Assembly, L.H.	128609	40. Lift Lever Assembly, Tone Arm Lift	133137
Spring Washer	73632-4	41. Spring	115821
Washer	54024	42. Thumbscrew	132113
Retaining Ring	73724-18	43. Brush	135180
7. Mounting Bracket, Safety Switch	137225	44. Brush Holder	135280
8. Adjustment Plate, Safety Switch	137231	45. Record Arm Rest and Nut Assembly	132862
9. Switch	135414	46. Channel and Fall Support Assembly, Right Hand	136473
10. Pivot Bracket and Bushing Assembly	136019	Adjustable Panel Latch	136060
11. Stop and Bearing Assembly, R.H.	128610	Spacer (5)	136504
Spring Washer	73632-4	Spring	136733
Washer	54024	47. Spring (3 lbs. at 2-1/4")	119426
Retaining Ring	73724-18	48. Mounting Bracket and Pivot Lever Assembly	133944
12. Pivot Bracket and Stop Nut Assembly	128611	49. Spring (4-1/2 oz. at 1 15/32")	59894
Set Screw, 6-32 x 3/8 Oval	73515-22	50. Link and Spring Pin Assembly, Front	135190
13. Shaft and Lever Assembly	136018	Retaining Ring (2)	73724-25
14. Retaining Ring	73724-25	51. Link and Spring Pin Assembly, Rear	135193
15. Lever and Shaft Assembly, Record Clamp	135996	Retaining Ring (2)	73724-18
16. Pull Lever and Hub Assembly	132665	52. Clamp Bracket, Turntable	136519
17. Spring	133869	53. Lever and Hub Assembly, Turntable Reset	128229
18. Bearing Bracket and Bushing Assembly	135997	54. Shaft and Lever Assembly, Turntable Reset	133941
19. Link, Turntable Shift	128273	55. Mounting Bracket and Bushing Assembly	137192
20. Spring, Turntable Release (4 5/16 oz. at 2 5/16")	65096	Mounting Bracket and Bushing Assembly (not shown)	128226
21. Spring	65958	56. Link and Pin Assembly	128614
22. Link, Turntable Shift	128274	Retaining Ring	73724-15
Retaining Ring	73724-18	57. Link and Pin Assembly	136027
23. Roller Bracket and Stud Assembly	128245	Retaining Ring	73724-15
24. Roller, Turntable Drive	128248	58. Spring	59606
Retaining Ring	73724-18	59. Switch (2)	128344
25. Adjusting Plate, Trip Switch	136175	Tapping Plate	128283
26. Mounting Plate and Stop Nut Assembly	136412	60. Solenoid, Side 1	128343
27. Trip Switch and Plug Assembly	133974	Link, Solenoid	136714
Switch, Trip	121229	Shoulder Screw	129819
Plug, 3	137254	Spacer	129818
Pin (2)	132000	Stop Nut 4-40	74988-7
28. Spring	134759	Bracket Solenoid	136713
29. Mounting Bracket, Play Switch	137212	61. Mounting Bracket	136030
30. Switch	135414	62. Adjustment Plate and Pivot Assembly	135989
31. Bracket and Stop Nut Assembly, Tone Arm	132991	63. Ball Race	59679
32. Retainer, Chassis Spring (4)	134735	64. Mounting Plate and Pin Assembly	135991
33. Spring (4)	61059		
34. Retainer, Chassis Spring (4)	136506		
35. Support, Record Changer (4) (For Service Only)	134906		

# CABINET



**3500 PHONOGRAPH**





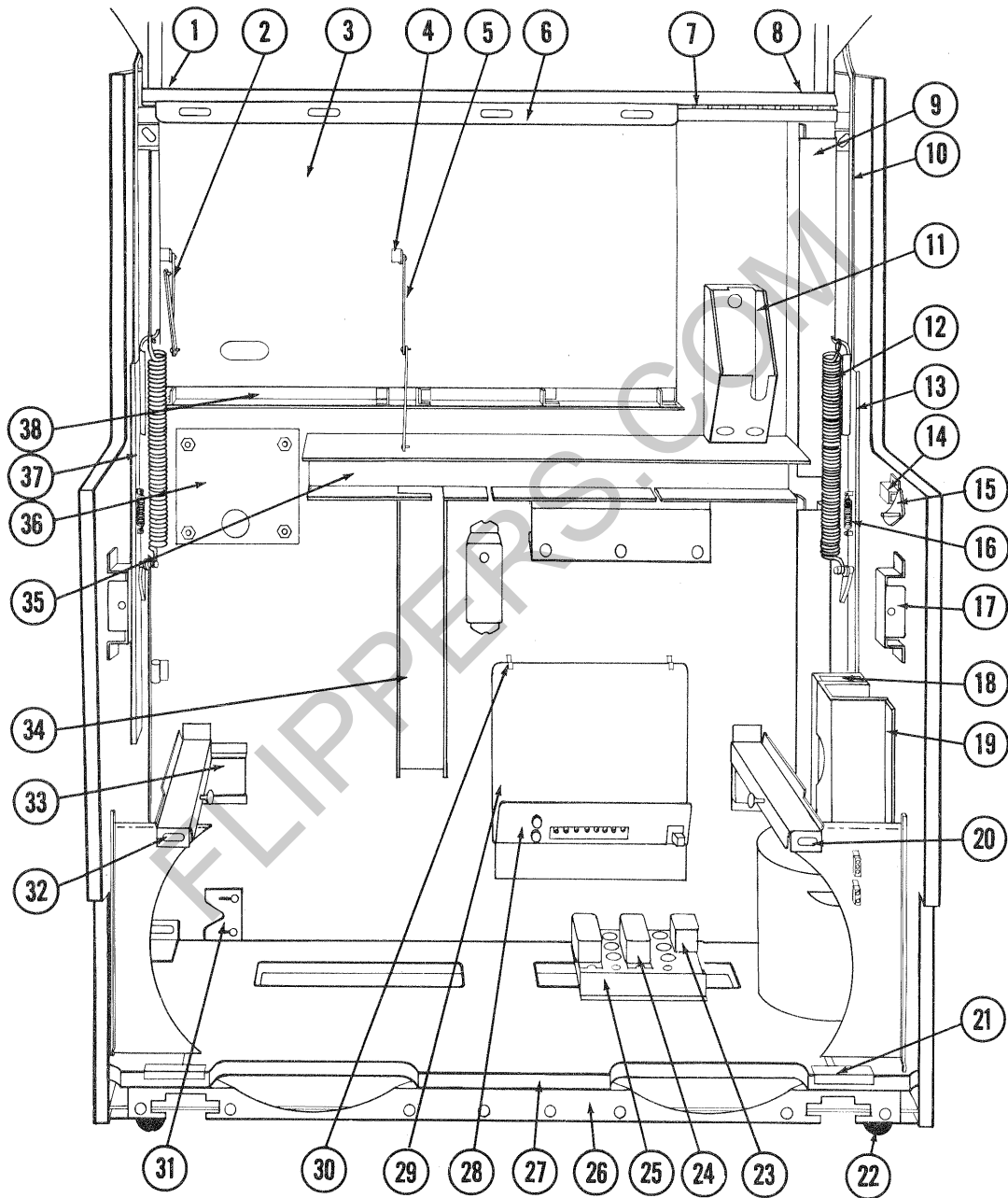
### ◀ CABINET - FRONT VIEW - ILLUSTRATED PARTS LIST


1. Door Casting, Upper, L. H.	135831	17. Glass, Service Door, R. H.	136198
2. Extrusion, Personalization Frame	136148	Tape, 9/16"	121999
3. Window, Personalization	135446	Glass Clamp and Pad Assembly (2)	137428
Window, Personalization	134523	Glass, Clamp, Top	136400
Display Sign, Music For Millions	137253	Glass, Clamp, Short	136143
Color Shield	134524	18. Coin Return Cup Casting	68192
Light Diffuser	134525	19. Frame, Cash Box Door	137029
Glass Clamp (2)	136224	20. Lock and Key Assembly	118412
4. Grille Screen, Upper Door	136031	21. Cash Box Door	137028
Extrusion, Upper Door Rear	136035	Key Guard	133270
5. Extrusion, Upper Door, Screen	135912	Coin Bag	132148
Fluorescent Lamp, 30W., 36"		22. Trim Strip (2)	137279
Cool White	137656	23. Extrusion, Lower Grille	136096
6. Extrusion, Selector Panel 3500	135915	24. Grille Screen	136197
Extrusion, Selector Panel 3560	135917	Backing, Grille Screen	135948
Extrusion, Selector Panel 3510	135914	25. Extrusion, Grille Center (2)	136170
7. Casting, Record Playing Frame	136849	26. Extrusion, Moulding, Center	
8. *Glass, Record Now Playing Window		Glass (2)	136648
Tape, 9/16"	121999	27. Glass, Center	136199
Glass Clamp, Side (2)	136632	Glass Clamp and Pad Assembly(2)	137428
Glass Clamp, Top	136633	Glass Clamp and Weld Screw	
Glass Clamp, Bottom	136634	Assembly, L. H.	136646
9. Door Casting, Upper, R. H.	135830	Glass Clamp and Weld Screw	
10. *Coin Denomination Label		Assembly, R. H.	136647
Window Blank, Coin Denomination		28. Medallion	120515
Label (2)	136605	Bezel	135970
Housing and Retainer Assembly	136364	Mounting Plate	136146
11. *Coin Entry Instruction Label		29. Glass, Service Door, L. H.	136147
Window Blank, Coin Entry (2)	136606	Glass Clamp and Pad Assembly(2)	137428
Light Diffuser, Coin Entry		Glass Clamp, Top	136405
Casting	136614	Glass Clamp, Long	136144
Light Bracket and Cable Assembly	137385	30. Extrusion and Cap Assembly	136595
Light Bracket and Cable		Cap and Mounting Plate Assembly	137326
Assembly (Top Tunes)	136617	Extrusion, Upper Door Front	135920
Bulb (3)	111816	31. Door Casting, Lower L. H.	135833
Socket (3)	111817	32. Glass, Program Selection, Upper	
Plug (9)	131174	Door 3500	135939
Pin (6)	132000	Glass, Program Selection, Upper	
12. Coin Entry Casting Assembly	136600	Door 3560	135944
13. Extrusion, Upper Door, Center	135913	Glass, Program Selection, Upper	
14. Door Casting, Lower, R. H.	135832	Door 3510	136230
15. Lock Assembly, Dome	136626	Tape, 9/16"	121999
Key, RW-110	136627		
16. Frame Extrusion, Service Door	135826		

\*Refer to page 8D for illustration and part number

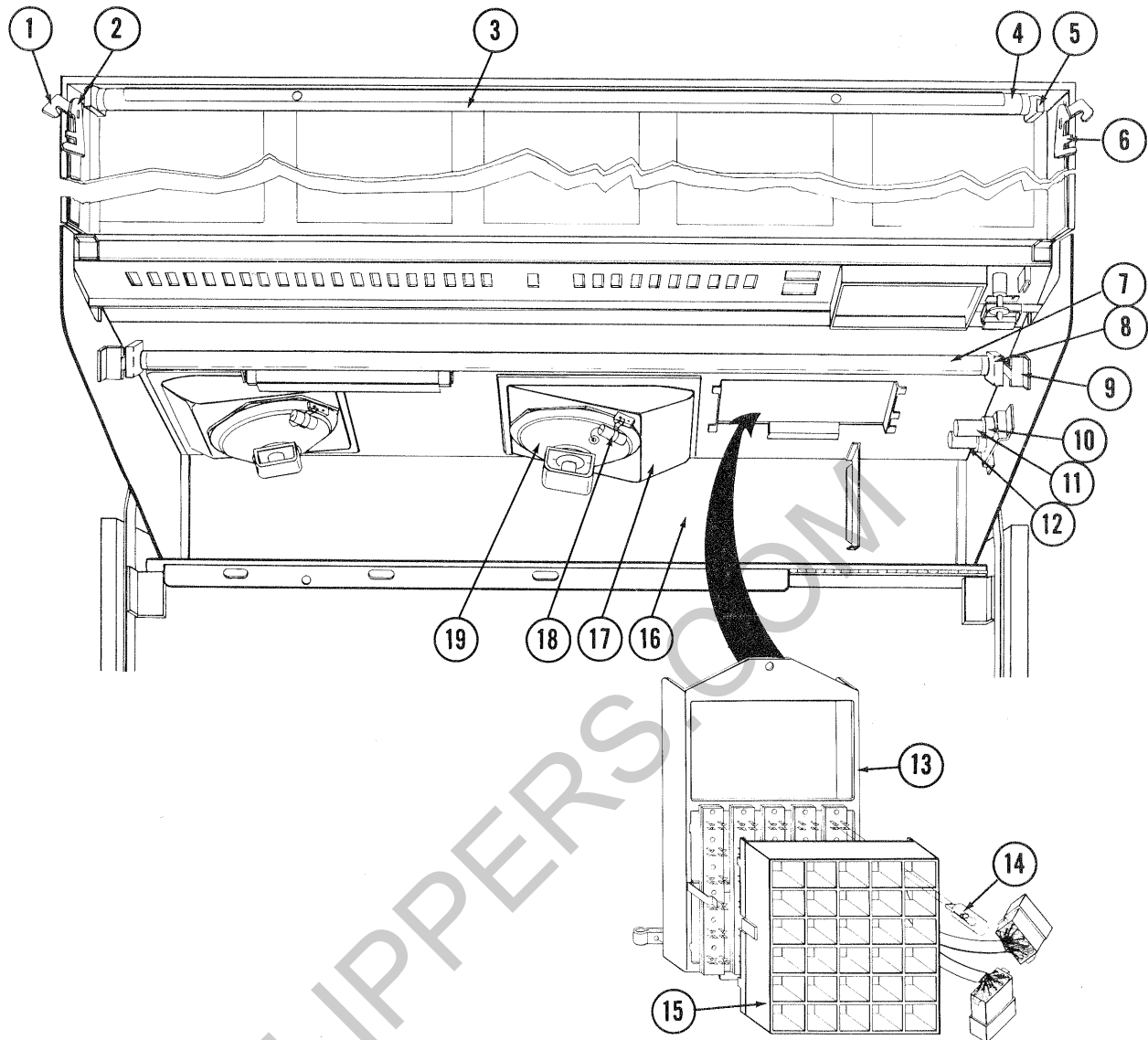
### ◀ SERVICE DOOR - REAR VIEW - ILLUSTRATED PARTS LIST

1. Mounting Bracket, Extrusion,		6. Socket, Lamp (2)	131168
Outer Frame	136142	Plug	117823
2. Lock Levers and Shaft Assembly	136270	Contact	113789
Spring	119426	7. Guide, Lower Door	136099
3. Adjustment Plate, Lock (2)	136008	8. Pivot Bracket, Lower Door	136098
Lockwasher (2)	73677-11	9. Baffle Board	135814
Nut 1/4-20 (2)	73601-10	Stiffner, Baffle Board	136095
4. Latch Lever and Pin Assembly, L.H.	137191	10. Speaker, 12" (2)	137054
Spring (2)	137250	11. Clamp, Light Diffuser	136097
Tip, Actuator, Red (2)	120692	12. Light Diffuser	136094
Spacer (2)	136522	13. Starter	113558
Eccentric Spacer (2)	136185	Socket, Starter	53674
Keps Nut, 1/4-20 (2)	74262-13	Insulator, Starter	50657
5. Fluorescent Lamp, 30 W., 36",		14. Guide Bracket and Pin Assembly	136643
Daylight	128781	15. Latch Lever and Pin Assembly, R.H.	137190



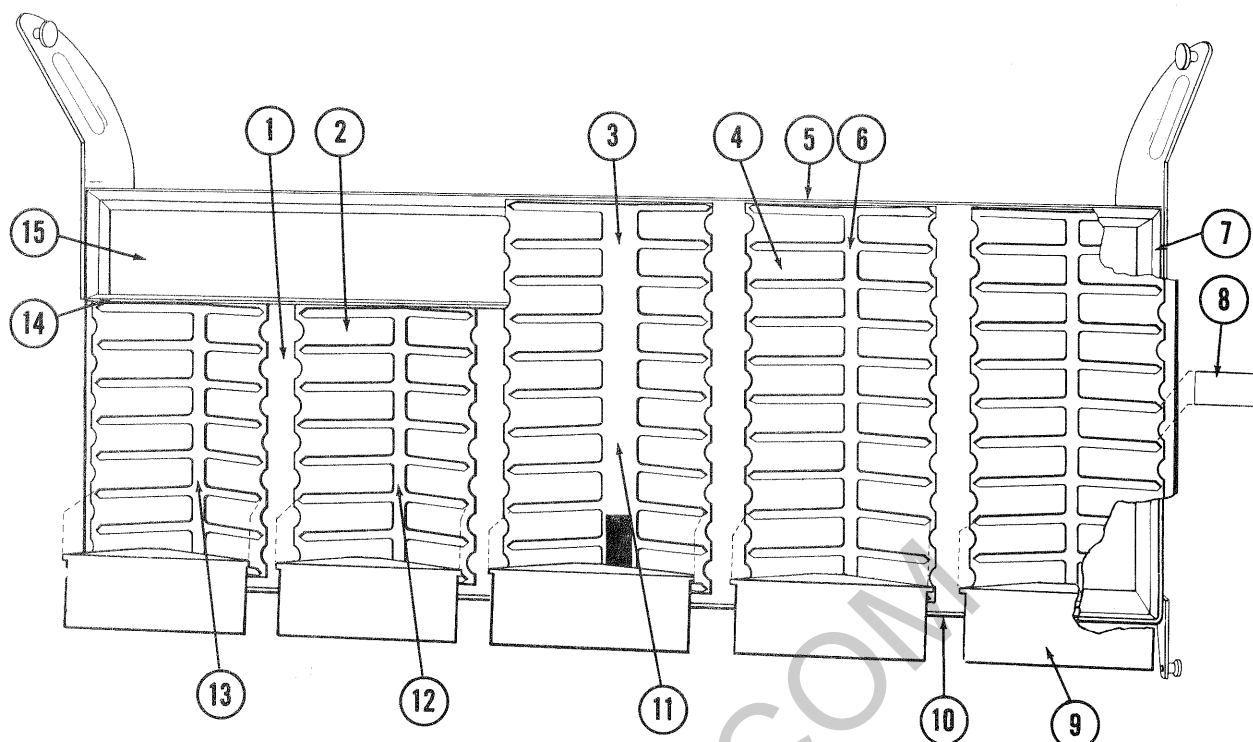
 CABINET - INTERIOR VIEW - ILLUSTRATED PARTS LIST

1.	Rub Rail	136034
2.	Fall Support Assembly	136645
* 3.	Backing Plate	136058
4.	Mounting Bracket, Fall Support	137256
5.	Link Assembly (2)	137270
	Shoulder Pin (2)	137257
	Retaining Ring (2)	73724-18
* 6.	Latch Rail	136059
7.	Hinge and Bracket Assembly	136256
8.	Hand Hole Cover Assembly (2)	136558
9.	Channel, Cable Retainer	136679
	Cover, Channel, Cable Retainer	136682
	Cover, Channel, Cable Retainer	136683
10.	Fall Support and Pin Assembly (2)	136551
	Pivot Pin (2)	136011
	Roller (2)	124431
	Washer (2)	52858
	Retaining Ring (4)	73724-37
11.	Box and Catch Assembly	136559
12.	Spring, Fall Support Return (2)	137370
13.	Guide Assembly, R.H.	136248
14.	Stop Bracket, Actuator	136652
15.	Pin and Actuator Assembly, Locklever	136641
16.	Spring, Fall Support Stop (2)	123520
17.	Catch Bracket, Service Door (2)	136638
18.	Coin Return Chute	136394
19.	Coin Bag Housing	136350
20.	Chassis Rail and Gusset Assembly, R.H.	136571
21.	Bracket, Door Scuff (2)	136404
22.	Caster (4)	128780
23.	Light Ballast	131273
24.	Light Ballast (2)	129702
25.	Mounting Plate, Light Ballast	136372
26.	Mounting Rail and Support Bracket Weld Assembly	136201
27.	Scuff Plate	137298
28.	Accessory Terminal Panel	136573
29.	Accessory Panel Cover Cable and Plug Assembly	136308
30.	Catch (2)	136566
31.	Cable Retainer	136667
32.	Chassis Rail and Gusset Assembly, L.H.	136867
33.	Hand Hole Cover, Lower (2)	136572
34.	Channel, Cable Retainer Cover, Channel, Cable Retainer	137030
35.	Channel, Cable Retainer Cover, Channel, Cable Retainer	136681
36.	Channel, Cable Retainer Cover, Channel, Cable Retainer	136685
37.	Cover, Bottom, Power Supply	136680
38.	Guide Assembly, L.H.	136684
	Support Rail and Bracket Assembly	136214
	* Retaining Ring	136249
		136554
		73724-21



UPPER DOOR - INTERIOR - ILLUSTRATED PARTS LIST

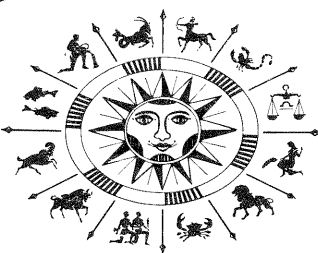
1. Lock Catch (2)	136690	12. Starter	57365
2. Glass Clamp and Slide Assembly, L.H.	136839	13. Mounting Plate, Contact and Cable Assembly	137442
Torsion Spring, Latch, L.H.	136844	Diode (10)	76700-20
3. Light Shield and Bracket Assembly	136910	Plug, 15 W	131887
4. Fluorescent Lamp, 18 W., 30" Cool White	137418	Plug, 15 B	131889
5. Socket, Lamp (2)	122743	Pin (28)	132000
6. Glass Clamp and Slide Assembly, R.H.	136840	14. Lamp (30)	136858
7. Fluorescent Lamp, 30W., 36" Cool White	137656	15. Shield, Record Playing Window	135936
8. Socket, Lamp (2)	131168	16. Mounting Plate and Support Gusset Assembly	136088
9. Light Bracket (2)	136073	17. Mounting Bracket and Pad Assembly (2)	136227
10. Socket, Starter (2)	53674	Screen, Speaker Guard (2)	136226
11. Starter	113558	18. Capacitor, 8 mfd. 50V. D.C. (2)	77375
		19. Speaker, 6" (2)	136665



## PROGRAM HOLDER

1. Extrusion, A1-C0	3500	125451	4. Program Holder (4)	3500-3560	128804
Extrusion, B1-G0	3500	125452	5. Light Shield	3500-3560	136092
Extrusion, F1-L0	3500	125453	6. Classification Slip		134664
Extrusion, K1-Q0	3500	125454	7. Program Holder Frame		
Extrusion, P1-U0	3500	125455	Assembly	3500	136704
Extrusion, T1-V0	3500	125456	Program Holder Frame		
Extrusion, A1-B8	3560	134596	Assembly	3560	136705
Extrusion, C1-F8	3560	134597	Program Holder Frame		
Extrusion, G1-K8	3560	134598	Assembly	3510	136706
Extrusion, L1-P8	3560	134599	8. Program Slip Cover,		
Extrusion, Q1-T8	3560	134600	Golden Program		134925
Extrusion, U1-V8	3560	134601	Program Slip Cover,		
Extrusion, A1-A0	3510	137468	Burgundy Program		137115
Extrusion, B1-C0	3510	137469	9. Insert, Program		
Extrusion, D1-E0	3510	137470	Holder (5)	3560-3510	137185
Extrusion, F1-G0	3510	137471	10. Light Diffuser	3500	136711
Extrusion, H1-J0	3510	137472	Light Diffuser	3560-3510	136712
Extrusion, K1-K0	3510	137473	11. Label, Golden Program		137207
2. Program Holder (4)	3510	137466	12. Label, Burgundy Program		137206
3. Program Holder, Center	3500 LP		13. Label, L.P. Program	3500-3510	134665
	3500 Std		Label, L.P. Program	3560	134919
	3560	134763	14. Light Shield	3510	137464
Program Holder, Center			15. Light Diffuser	3510	137465
3500 DeLuxe		137362			
Program Holder, Center	3510	137467			

NOMENCLATURE LAYOUT - 3500 SERIES PHONOGRAPH



**136608**

**RECORD PLAYING**

R	B	C	D	E
F	G	H	J	K
L	M	N	P	Q
R	S	T	U	V
1	2	3	4	5
6	7	8	9	0

**136856**

**BONUS PLAY**  
DEPOSIT HALF DOLLARS OR QUARTERS IN ANY SEQUENCE UP TO \$100. SELECT AFTER DEPOSITING DESIRED AMOUNT.

**RECORD PLAYING**

R	B	C	D	E
F	G	H	J	K
L	M	N	P	Q
R	S	T	U	V
1	2	3	4	5
6	7	8	9	0

**MUSIC OF YOUR CHOICE**

DEPOSIT	SINGLES	LP ALBUMS	PLAYS	CREDIT
2 SINGLES OR 1 LP SIDE	25¢	25¢		
5 SINGLES OR 2 LP SIDES	50¢	50¢		
8 SINGLES OR 3 LP SIDES	75¢	75¢		
12 SINGLES OR 5 LP SIDES	\$1.00	\$1.00		

**137238**

**MUSIC OF YOUR CHOICE**

DEPOSIT	SINGLES	LP ALBUMS	PLAYS
HALF DOLLAR	5	2 SIDES	5 SINGLES
2 QUARTERS	5	2 SIDES	2 QUARTERS
QUARTER	2	1 SIDE	QUARTER

**MUSIC OF YOUR CHOICE**

DEPOSIT	SINGLES	LP SIDES	PLAYS
HALF DOLLAR	7	2+1 SINGLE	7 SINGLES
2 QUARTERS	7	2+1 SINGLE	QUARTER
QUARTER	3	1	DIME OR 2 NICKELS

**MUSIC OF YOUR CHOICE**

DEPOSIT	SINGLES	LP ALBUMS	PLAYS
HALF DOLLAR	9	3 SIDES	9 SINGLES
2 QUARTERS	9	3 SIDES	QUARTER
QUARTER	4	1 SIDE	DIME OR 2 NICKELS

**136623**

**BONUS PLAY**  
DEPOSIT HALF DOLLARS OR QUARTERS IN ANY SEQUENCE UP TO \$100. SELECT AFTER DEPOSITING DESIRED AMOUNT.

PLAYS	CREDIT
2 SINGLES	25¢ 25¢
5 SINGLES	50¢ 50¢
8 SINGLES	75¢ 75¢
12 SINGLES	\$1.00 \$1.00

**137090**

**BONUS PLAY**  
DEPOSIT HALF DOLLARS OR QUARTERS IN ANY SEQUENCE UP TO \$100. SELECT AFTER DEPOSITING DESIRED AMOUNT.

PLAYS	CREDIT
2 SINGLES OR 1 LP SIDE	25¢ 25¢
5 SINGLES OR 2 LP SIDES	50¢ 50¢
8 SINGLES OR 3 LP SIDES	75¢ 75¢
12 SINGLES OR 5 LP SIDES	\$1.00 \$1.00

**137099**

**6 SPECIAL PRE-SELECTED SINGLES**  
DEPOSIT HALF DOLLAR OR 2 QUARTERS. PRESS BURUNDY OR GOLDEN PROGRAM BUTTON.

**MUSIC OF YOUR CHOICE**

DEPOSIT	PLAYS
HALF DOLLAR	5 SINGLES
2 QUARTERS	5 SINGLES
QUARTER	2 SINGLES

**136621**

**6 SPECIAL PRE-SELECTED SINGLES**  
DEPOSIT HALF DOLLAR OR 2 QUARTERS. PRESS BURUNDY OR GOLDEN PROGRAM BUTTON.

**MUSIC OF YOUR CHOICE**

DEPOSIT	SINGLES	LP ALBUMS	PLAYS
HALF DOLLAR	5	2 SIDES	5 SINGLES
2 QUARTERS	5	2 SIDES	QUARTER
QUARTER	2	1 SIDE	

**136622**

**8 SPECIAL PRE-SELECTED SINGLES**  
DEPOSIT HALF DOLLAR OR 2 QUARTERS. PRESS BURUNDY OR GOLDEN PROGRAM BUTTON.

**MUSIC OF YOUR CHOICE**

DEPOSIT	PLAYS
HALF DOLLAR	5 SINGLES
2 QUARTERS	5 SINGLES
QUARTER	2 SINGLES

**136623**

**8 SPECIAL PRE-SELECTED SINGLES**  
DEPOSIT HALF DOLLAR OR 2 QUARTERS. PRESS BURUNDY OR GOLDEN PROGRAM BUTTON.

**MUSIC OF YOUR CHOICE**

DEPOSIT	SINGLES	LP ALBUMS	PLAYS
HALF DOLLAR	5	2 SIDES	5 SINGLES
2 QUARTERS	5	2 SIDES	QUARTER
QUARTER	2	1 SIDE	

**136624**

**BONUS PLAY SELECTIONS**  
INSERT \$1 BILL, HALF DOLLARS OR QUARTERS. PRE-SELECTED PROGRAM.

DEPOSIT	SINGLES	LP SIDES
25¢	2	1
50¢	5	2
75¢	8	3
\$1.00	12	5

**137249**

**DOLLAR BILL ACCEPTER**  
PLAYS 12 SINGLES OR 4 LP ALBUM SIDES.

INSERT \$1 BILL FACE UP

**136971**

**DOLLAR BILL ACCEPTER**  
PLAYS 12 SINGLES.

PRE-SELECTED SINGLES, SINGLES, LP SIDES. BURUNDY PROGRAM OR GOLDEN PROGRAM.

INSERT \$1 BILL FACE UP

**136970**

**DOLLAR BILL ACCEPTER**  
PLAYS 12 SINGLES.

INSERT \$1 BILL FACE UP

**136943**

**BONUS PLAY SELECTIONS**  
INSERT \$1 BILL, HALF DOLLARS OR QUARTERS. PRE-SELECTED PROGRAM.

DEPOSIT	SINGLES	LP SIDES
25¢	3	1
50¢	7	2
75¢	11	4
\$1.00	16	6

**137249**

**DOLLAR BILL ACCEPTER**  
PLAYS 15 SINGLES OR 5 LP ALBUM SIDES.

INSERT \$1 BILL FACE UP

**136971**

**DOLLAR BILL ACCEPTER**  
PLAYS 15 SINGLES.

PRE-SELECTED SINGLES, SINGLES, LP SIDES. BURUNDY PROGRAM OR GOLDEN PROGRAM.

INSERT \$1 BILL FACE UP

**136970**

**DOLLAR BILL ACCEPTER**  
PLAYS 15 SINGLES.

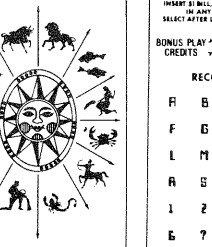
INSERT \$1 BILL FACE UP

**136943**

**BONUS PLAY**  
DEPOSIT HALF DOLLARS OR QUARTERS IN ANY SEQUENCE UP TO \$100. SELECT AFTER DEPOSITING DESIRED AMOUNT.

PLAYS	CREDIT
2 SINGLES OR 1 LP SIDE	25¢ 25¢
5 SINGLES OR 2 LP SIDES	50¢ 50¢
8 SINGLES OR 3 LP SIDES	75¢ 75¢
12 SINGLES OR 5 LP SIDES	\$1.00 \$1.00

**137304**



**136945**

**BONUS PLAY**  
DEPOSIT HALF DOLLARS OR QUARTERS IN ANY SEQUENCE UP TO \$100. SELECT AFTER DEPOSITING DESIRED AMOUNT.

**RECORD PLAYING**

R	B	C	D	E
F	G	H	J	K
L	M	N	P	Q
R	S	T	U	V
1	2	3	4	5
6	7	8	9	0

**137246**

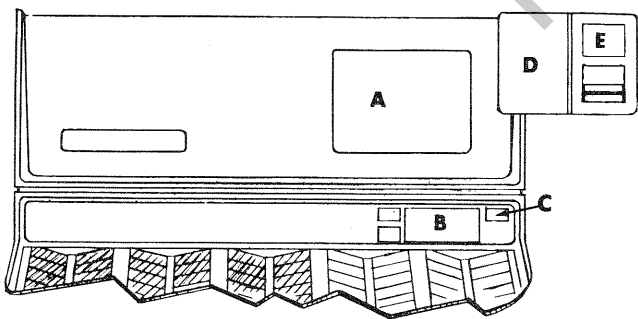
**BONUS PLAY**  
DEPOSIT HALF DOLLARS OR QUARTERS IN ANY SEQUENCE UP TO \$100. SELECT AFTER DEPOSITING DESIRED AMOUNT.

PLAYS	CREDIT
2 SINGLES	25¢ 25¢
5 SINGLES	50¢ 50¢
8 SINGLES	75¢ 75¢
12 SINGLES	\$1.00 \$1.00

**RECORD PLAYING**

R	B	C	D	E
F	G	H	J	K
L	M	N	P	Q
R	S	T	U	V
1	2	3	4	5
6	7	8	9	0

**137302**



**C**

SELECT ANY LP ALBUM SIDE

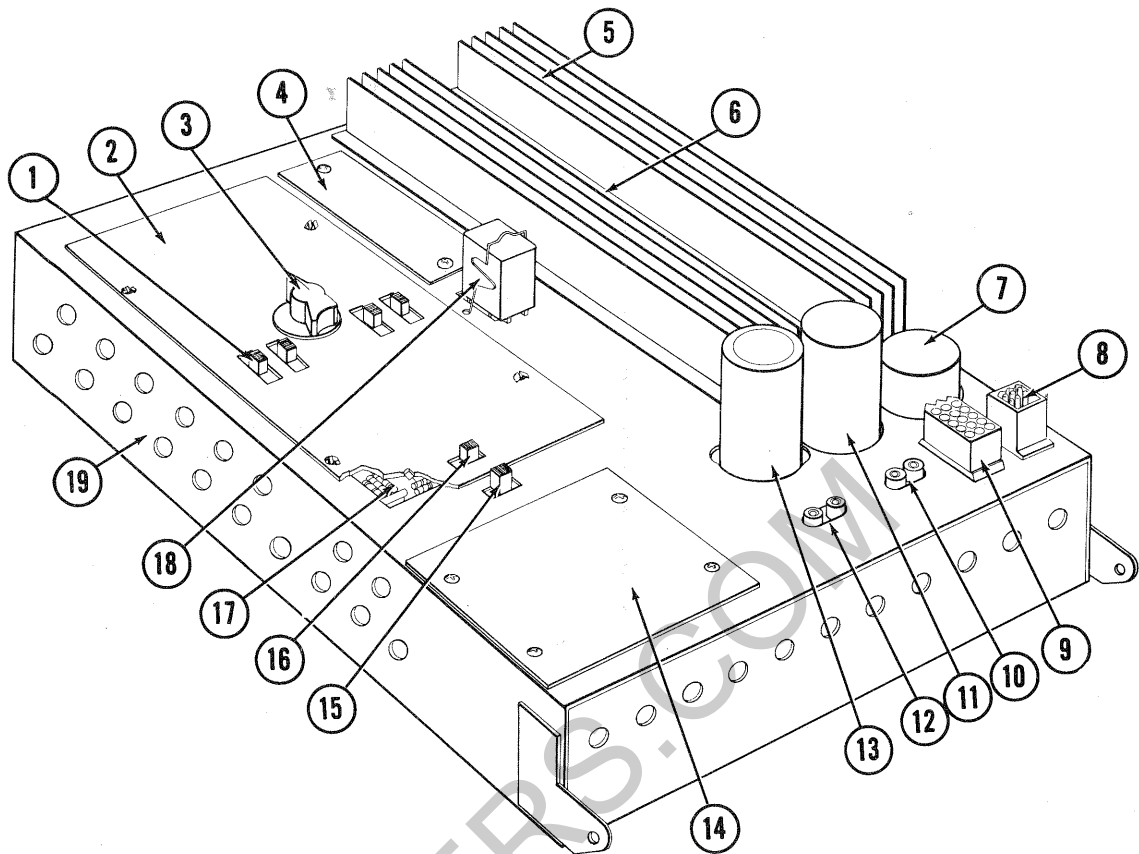
SELECT ANY SINGLES

SELECT BURUNDY OR GOLDEN PROGRAM

SELECT ANY SINGLE

SELECT

**136613 136612 136611**



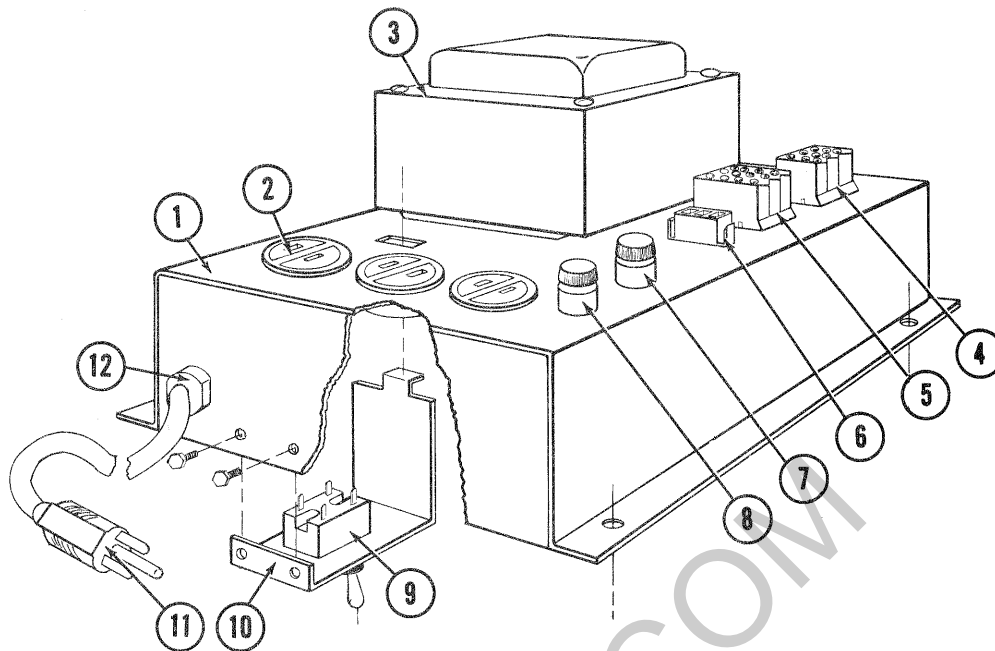
MODEL 551 AMPLIFIER - ILLUSTRATED PARTS LIST

1. Switch (4)	125708	11. Capacitor, 3000 Mfd., 55V. D.C.	76620
2. Cover and Silk Screen Assembly Speed Clip (4)	136538 114131	12. Receptacle, Auxiliary Amplifier Output	113420
3. Knob	125720	13. Capacitor, 3000 Mfd., 55V. D.C.	76912
4. Cover and Silk Screen Assembly, Mike Kit	136801	14. Cover and Silk Screen Assembly, Remote Loudness	136802
5. Heat Sink and Socket Assembly	131264	15. Switch, Scratch Compensator	62886
6. Transistor (4) Q10, Q11, Q12, Q13 - Red, Orange, Yellow, Green or Blue (Specify Color)	125703	16. Switch, Mono - Stereo	125709
Insulator (4)	650446	17. Printed Board Assembly	136531
7. Capacitor, 2000 Mfd., 50V. D.C.	76621	18. Relay, Red Hold Down Spring, Relay	122366 134840
8. Plug, 9 R	136000	Receptacle, Relay, Red	136337
9. Receptacle, 15 W	131888	Terminal, Relay Socket (8)	136335
10. Receptacle, Audio	113420	19. Chassis Pan and Silk Screen Assembly	136524



## BILL OF MATERIALS 551 AMPLIFIER

ITEM NO.	PART NO.	VALUE	REMARKS +	ITEM NO.	PART NO.	VALUE	REMARKS
R1	72246-32	180K	1/2 W. 10%	C20	76165-11	.0056 MFD	100V
R2	72210-32	5.6K	1/2 W. 10%	C21	76207-27S	.33 MFD	75V
R3	72240-32	100K	1/2 W. 10%	C23	76620	3000 MFD	55V
R4	72246-32	180K	1/2 W. 10%	C24	76621	2000 MFD	50V
R5	72192-32	1K	1/2 W. 10%	C25	76912	3000 MFD	55V
R6	72234-31	56K	1/2 W. 5%	C26	76319-321	.015 MFD	100V
R7	72262-31	820K	1/2 W. 5%	C26 OPT	76175-215	.015 MFD	100V
R8	72232-32	47K	1/2 W. 10%	C27	76411-341	820 MMFD	DISC.
R9	72211-31	6.2K	1/2 W. 5%				
R10	72237-31	75K	1/2 W. 5%				
R11	72189-31	750 OHM	1/2 W. 5%				
R12	72199-31	2K	1/2 W. 5%				
R13	72205-31	3.6K	1/2 W. 5%				
R14	72227-31	30K	1/2 W. 5%				
R15	72220-32	15K	1/2 W. 10%				
R17	72235-31	62K	1/2 W. 5%				
R18	72207-31	4.3K	1/2 W. 5%				
R19	72212-32	6.8K	1/2 W. 10%				
R20	72150-32	18 OHM	1/2 W. 10%				
R21	72184-32	470 OHM	1/2 W. 10%				
R22	72246-32	180K	1/2 W. 10%				
R23	72226-32	27K	1/2 W. 10%				
R24	72192-32	1K	1/2 W. 10%				
R25	125710	100K	BALANCE				
R26	72194-32	1.2K	1/2 W. 10%				
R27	125700	100K	CONTROL				
R28	72226-32	27K	1/2 W. 10%				
R29	74817-2	25 OHM	5 W. 10%				
R30	74844-2	.5 OHM	5 W. 10%				
R31	74903-3	120 OHM	10 W. 5%				
R32	74486-32	2.7 OHM	2 W. 10%				
R33	74546-32	820 OHM	2 W. 10%				
R34	74826-2	390 OHM	5 W. 10%				
R35	72144-32	10 OHM	1/2 W. 10%				
R36	72254-32	390K	1/2 W. 10%				
C1	74434-132	175 MFD	6V				
C1 OPT	76689-132	175 MFD	6V				
C2	76185-115	.039 MFD	100V				
C2 OPT	76324-311	.039 MFD	100V				
C3	76481-6	2 MFD	25V				
C4	76163-11S	.0047 MFD	100V				
C5	76199-17S	.15 MFD	100V				
C6	76686-132	100 MFD	6V				
C6 OPT	74432-132	100 MFD	6V				
C7	76167-11S	.0068 MFD	100V				
C8	76201-17S	.18 MFD	100V				
C9	76169-11S	.0082 MFD	100V				
C10	76199-17S	.15 MFD	100V				
C11	76392-341	.0047 MFD	DISC.				
C12	76396-341	.0033 MFD	DISC.				
C13	76195-11S	.1 MFD	100V				
C13 OPT	76329-311	.1 MFD	100V				
C14	76171-21S	.01 MFD	100V				
C14 OPT	76317-321	.01 MFD	100V				
C15	76419-341	.00047 MFD	DISC.				
C16	76203-27S	.22 MFD	75V				
C17	76686-135	100 MFD	25V				
C17 OPT	74432-136	100 MFD	25V				
C18	76811	500 MFD	25V				
C19	76806	150 MFD	35V				
				S1	125709	DPDT	
				S2	125708	DPTT	
				S3	125708	DPTT	
				S4	121301	DPST	
				S5	68770	SPDT	
				S6	62886	DPDT	
				T1	136215	LOW-VOLTAGE	
				T2	136780	DRIVER	
				T3	136527	AUDIO	
				F1	71590-48	15 AMP	
				F2	71590-27	5 AMP	
				F3	71591-23	3 AMP SLO BLO	
				F4	71591-23	3 AMP SLO BLO	
				F5	71591-13	1 1/4 AMP SLO BLO	
				VR-1	133932	DUAL SELENIUM - YELLOW	
				VR-2	133907	DUAL SELENIUM - RED	
				SR-1			
				SR-2			
				SR-3	71488-21	SILICONE 3A	
				SR-4			
				Q1-Q2	130537-5	GREEN DOT	
				Q3-Q4	130537-4	YELLOW DOT	
				Q-5	131262	P-N-P SILICON	
				Q6-Q7	130537-5	N-P-N SILICON GREEN DOT	
				Q8-Q9	136406	DRIVER	
				Q10-Q11	125703	RED, ORANGE, YELLOW,	
				Q12-Q13		GREEN OR BLUE	
				RY-5	122366	RELAY	
				J-1	112730	WIRE - FORMED	



## MODEL 552 POWER SUPPLY ILLUSTRATED PARTS LIST

1. Chassis Pan and Silk Screen Assembly	136207
2. Socket, 110 V (3)	13037
3. Transformer	136215
4. Receptacle, 9 Contact Terminal (6)	131931
5. Receptacle, 12 Contact Terminal (9)	132001
6. Receptacle, 3 Contact (2)	134253
7. Fuse Post	132001
Lockwasher	117824
Fuse, 5 A	111527
8. Fuse Post	126853
Lockwasher	73607-13
Fuse, 15 A	71590-27
9. Switch, ON/OFF	126853
10. Switch Bracket	73607-13
11. Line Cord	71590-48
12. Strain Relief	121301

INTER CONNECTING CABLE ASSEMBLIES USED IN 3500 SERIES PHONOGRAPHS  
(Not shown on illustrated parts drawing)

1. Cable, Plug and Receptacle Assembly (Power Supply to Amplifier)	136699	3. Cable, Plug and Receptacle Assembly (Coin Mechanism to Slug Rejector and Junction Box)	136846
2. Cable, Plug and Receptacle Assembly (Power Supply to Junction Box)	136700	4. Cable, Plug and Receptacle Assembly (Control Unit to Junction Box)	136959

THE WURLITZER COMPANY  
PHONOGRAPH DIVISION  
NORTH TONAWANDA  
NEW YORK

PRICE \$3.50  
PART NO. 335 S