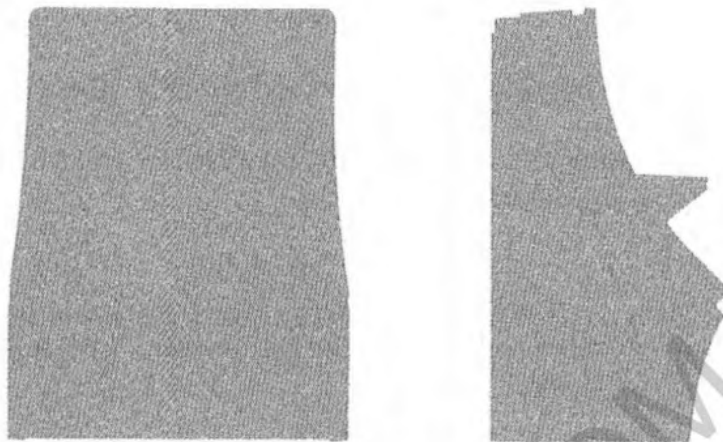


SPECIFICATIONS

WURLITZER
AMERICANA SERIES
100 - 160 - 200 SELECTION PHONOGRAPHS



CABINET DIMENSIONS

Height - 52 1/4" Depth - 27 3/4" Width - 40"

DOME LOCK KEY RW 110

CASH BOX LOCK Ace WCX Series

DOLLAR BILL CASH BOX LOCK Ace WCX Series

POWER REQUIREMENTS

Standby	117 Volts	Operational	117 Volts
	60 Hertz		60 Hertz
	200 VA (120 Watts)		360 VA (230 Watts)

CABINET ILLUMINATION

1 - 30" 18 W and 1 - 33" 25 W Fluorescent.

CREDIT EQUIPMENT

Slug Rejector	National Simplex IV
Dollar Bill Acceptor	National Buck Passer
Credit Unit	Wurlitzer Electronic Bonus Accumulator

RECORD CHANGER

Wurlitzer Wurlamatic	
Turntable Speed	33.3 and 45 Automatic Intermixed
Records	7" - 33.3 and 45 RPM
Record Library	
100 Selection Phonograph	50 record capacity
160 Selection Phonograph	80 record capacity
200 Selection Phonograph	100 record capacity

SECTION A

KEYBOARD - 200 Selection Phonographs

LP selections can be programmed in the A only or A thru K sections 1 thru 0.

Minimum LP programming 5 LP records, 10 selections.

Maximum LP programming 50 LP records, 100 selections.

Automatic Programmer (when phonographs are so equipped).

Preset 1 Program selects records E1-E3-E5 and F1-F3-F5, also E7-E9 and F7-F9 if so desired.

Preset 2 Program selects records J1-J3-J5 and K1-K3-K5, also J7-J9 and K7-K9 if so desired.

The Automatic Programmer can be optionally set for six, eight or ten selections in the E-F and J-K sections.

NOTE

If the Phonograph is equipped with Preset Programs it is not advisable to place LP albums in the E, F, J or K sections of the record magazine. However, LP Albums may be placed in the A, B, C, D, G and H sections.

KEYBOARD - 160 Selection Phonographs

LP selections can be programmed in the 1 only or 1 thru 8 sections A thru V.

Minimum LP programming 10 LP records, 20 selections.

Maximum LP programming 80 records, 160 selections.

KEYBOARD - 100 Selection Phonographs

LP selections can be programmed in the A only or A thru E sections 1 thru 0.

Minimum LP programming 5 LP records, 10 selections.

Maximum LP programming 25 records, 50 selections.

SOUND SYSTEM

Solid State Amplifier Wurlitzer Model 556

Power Supply Wurlitzer Model 561

Pickup Astatic

Stylus Dual Tip Diamond .7 Mil

Power Output total 80 watts music power

Output Impedance Multiple tap low impedance plus constant voltage.

CABINET SPEAKERS

2 - 12" Lower - Range Speakers

2 - 6" Upper - Range Speakers

AMERICANA ACCESSORIES

Remote Volume Control Kit 219B

Part No. 141186

Microphone Kit 220A

Part No. 138847

Stepper, 100 and 200 Selection, Model 270

Part No. 138849

Stepper, 160 Selection, Model 271

Part No. 138850

Bill Validator (Buck Passer) Kit 235

Part No. 140930

Income Computer Model 242

Part No. 143764

Income Computer Model 243 (Less Printout)

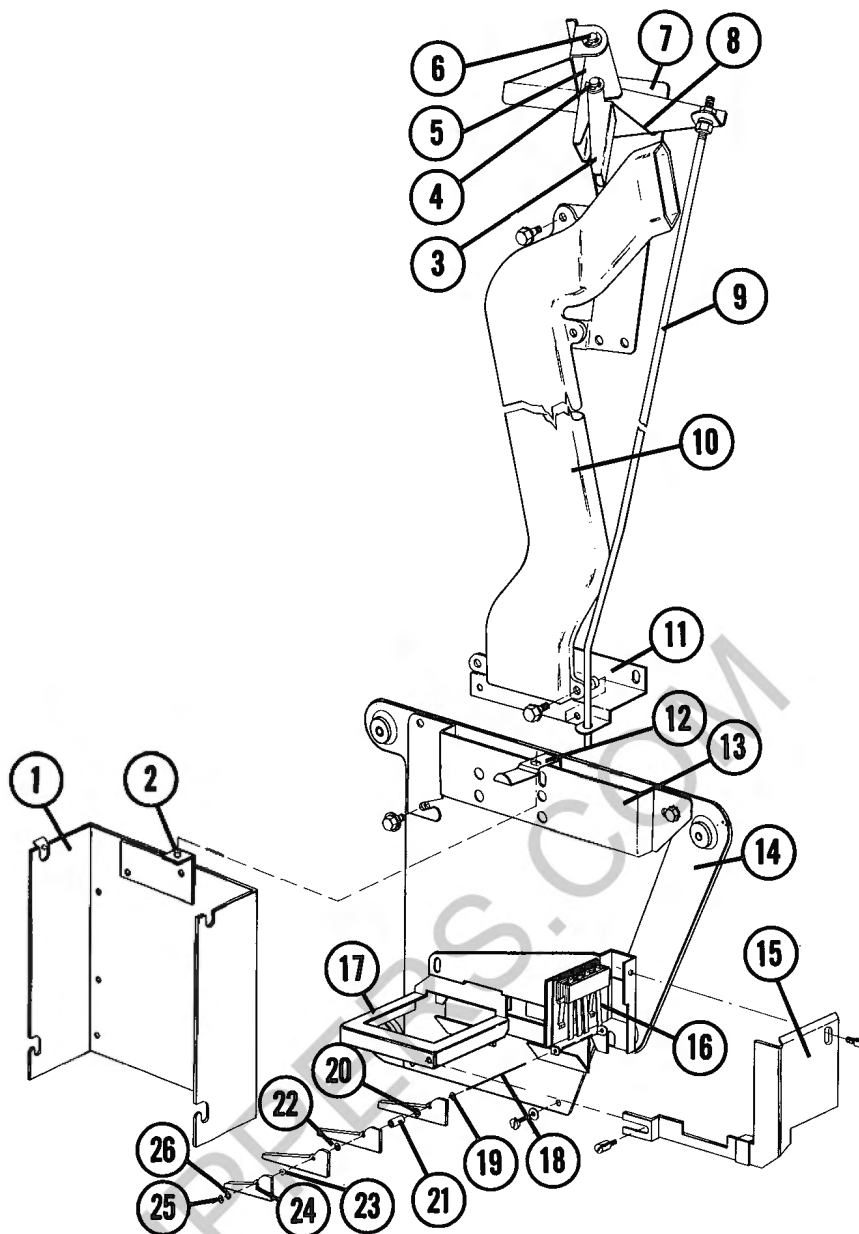
Part No. 143765

Mounting Bracket Kit 226 (For Model 225 and 236 Income Computers)

Part No. 138845

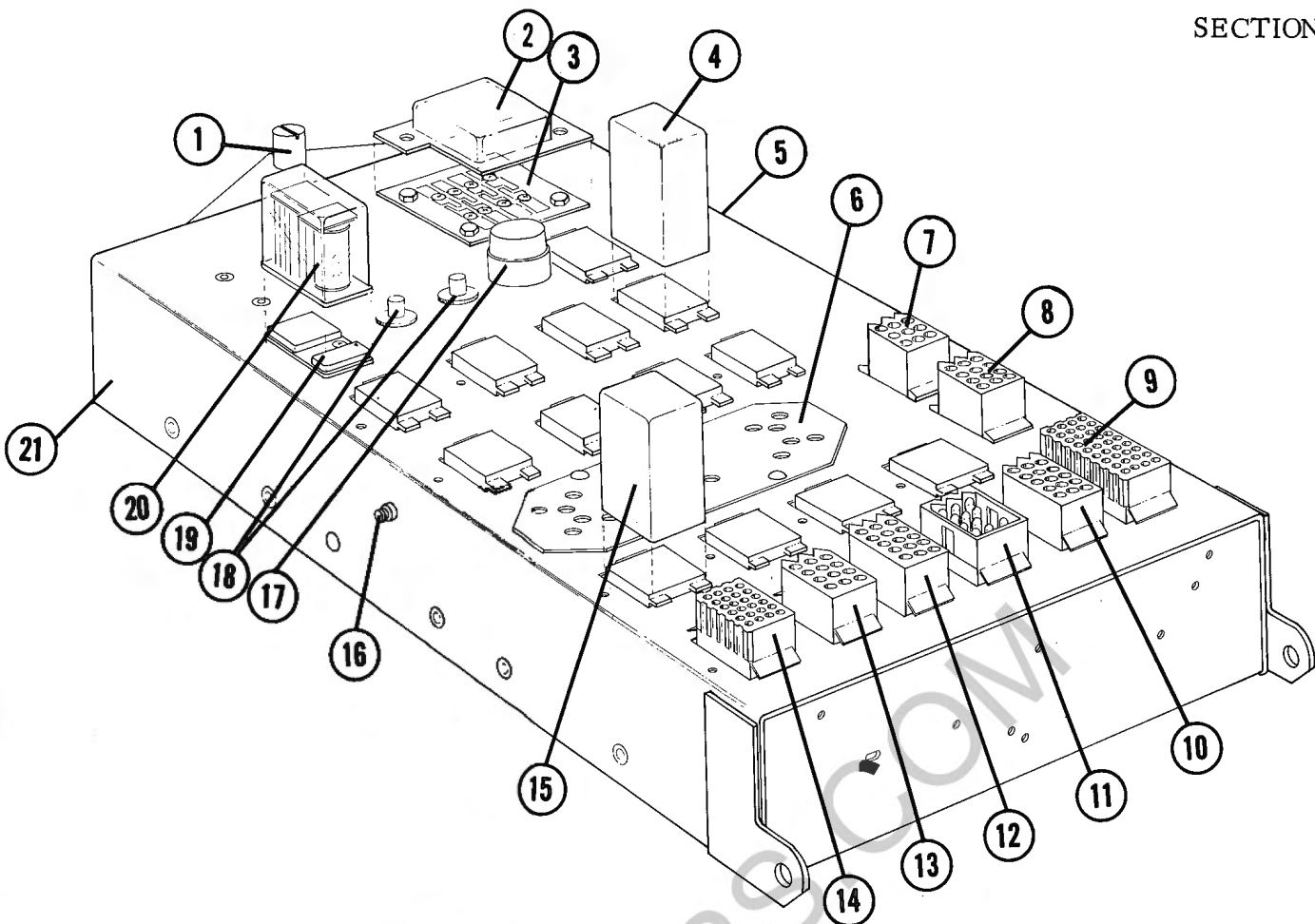
Wall Box, 200 Selection (with Speakers & Golden Bar), Model 5220L	Part No. 125555
Wall Box, 200 Selection (without Speakers or Golden Bar), Model 5220AL	Part No. 125557
Wall Box, 100 Selection (with Speakers & Golden Bar), Model 5225L	Part No. 125547
Wall Box, 100 Selection (without Speakers or Golden Bar), Model 5225AL	Part No. 125549
Wall Box Booster Transformer, Model 222C	Part No. 137182
Speaker, Wall, Rectangular Type, Model 5127	Part No. 140288
Speaker, Wall, Wedge Type, Model 5128	Part No. 140289





SLUG REJECTOR MOUNTING ASSEMBLY

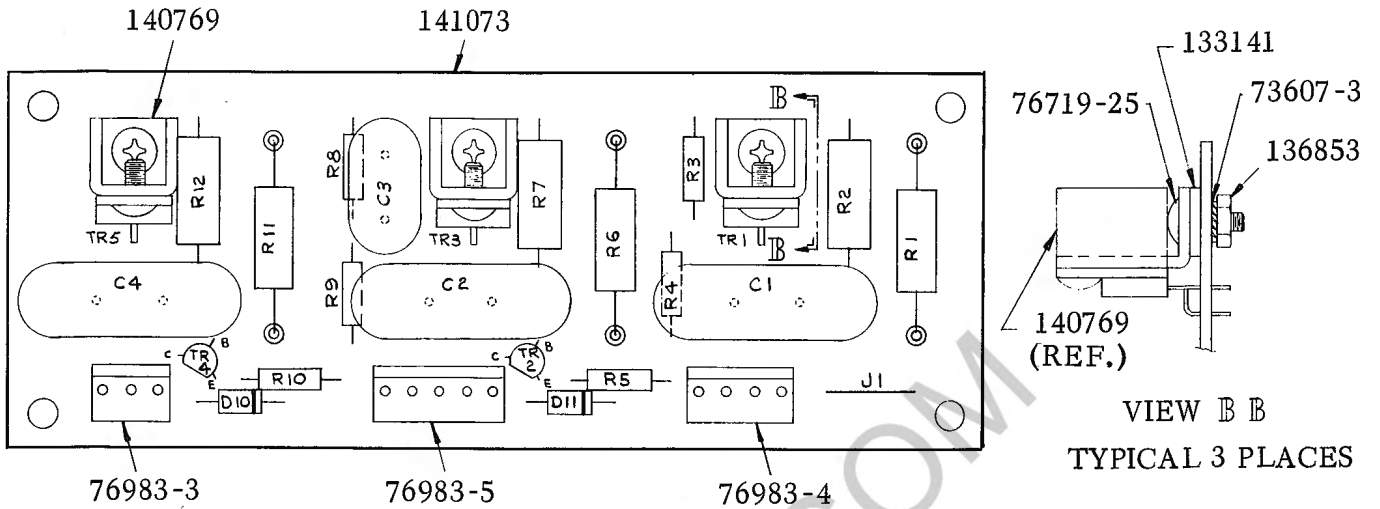
1. Cover and Clip Assembly	131539	13. Mounting Plate and Bracket Assembly	140711
Cable Clamp (2)	123897	14. Mounting Plate, Slug Rejector	138189
2. Locating Pin and Catch Assembly	131034	15. Angle and Guard Assembly	138235
3. Actuator, Reject Button	140908	Thumbscrew (2)	35745
4. Pivot Pin, Lever	140789	16. Coin Switch	131186
Spring, Actuator	140715	Plug, 9	131174
Retaining Ring (2)	73724-25	Pin Terminal (5)	132000
5. Pivot Bracket and Bracket Assembly	140665	Lockwasher (2)	73604-5
6. Pivot Shaft	140640	Screw, 6 x 5 HEX Z (2)	76626-5
Retaining Ring	73724-25	Speednut	74750-5
7. Support Bracket, Reject Rod	140636	17. Mounting Bracket and Guard Assembly	138233
8. Spring, Return, Reject Rod	140707	Washer (2)	54024
9. Reject Rod	140642	18. Shaft	119107-C
Keps Nut, 1/4-20	74262-13	19. Copper Washer	119107-F
Nut, 1/4-20	73601-10	20. Long Paddle	119107-A
Lockwasher	73605-9	21. Spacer	119107-D
10. Coin Entry Chute	140383	22. Copper Washer	119107-F
Spacer (4)	124041	23. Copper Washer	119107-F
Screw, 8-32 x 1/2 HEX SWAGE	77498-38	24. Short Paddle	119107-B
11. Mounting Bracket, Lower	140638	25. Iron Washer	119107-E
12. Retaining Ring, Slug Rejector	130849	26. Iron Washer	119107-E
Washer	657		



CONTROL BOX ASSEMBLY ILLUSTRATED PARTS LIST

1. Thumbscrew Retainer	138366 141388	13. Receptacle, 12W Contact Terminal (7)	131175 132001
2. Cover, Printed Board, Control Box	138744	14. Receptacle, 24 Min. Contact Terminal (24)	657711 138558
3. Printed Board, Control Box	138742-2	15. Relay, White (RY-1, RY-2, RY-3, RY-6, RY-7, RY-10, RY-11, RY-20, RY-21, RY-22, RY-23, and RY-24)	122133 134840
4. Relay, Red (RY-12) Holddown Spring Receptacle, Relay, Red Terminal, Relay Socket	122366 134840 136337 136335	Receptacle, Relay, White Terminal, Relay Socket	136336 136335
5. Receptacle, 12W (not shown) Receptacle, 15W (not shown) Contact Terminal (26) Jumper Plug Assembly, Stepper Pin Terminal (9)	131175 131888 132001 138511 132000	16. Pin, Fall Support Retaining Ring	137083 73724-18
6. Cover Plate, Vent	140942	17. Fuse Post Lockwasher Fuse, 8A, Slo Blo	126853 73607-13 71591-34
7. Receptacle, 9R Contact Terminal (7)	131931 132001	18. Circuit Breaker (2)	140507
8. Receptacle, 12R Contact Terminal (8)	131929 132001	19. Receptacle, Relay, 6 Pole	138719
9. Receptacle, 36 Min. Contact Terminal (31)	505965 138558	20. Relay, 6 Pole Relay Spring, 6 Pole	138716 139162
10. Receptacle, 15R Contact Terminal (12)	131892 132001	21. Remaining Control Box Components, (Refer to Page 8B-11B)	
11. Plug, 12B Pin Terminal (12)	136791 132000		
12. Receptacle, 15W Contact Terminal (13)	131888 132001		

SECTION B

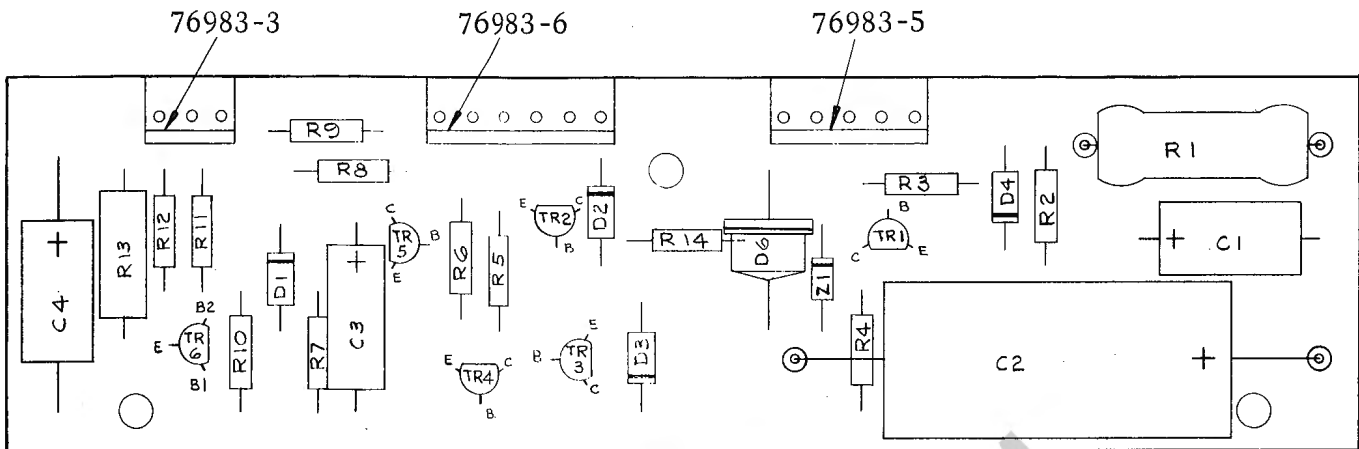


PRINTED BOARD ASSEMBLY - TRIAC CONTROL - PART NO. 140764

RESISTORS			
ITEM NO.	PART NO.	VALUE	
R1, 6 and 11	74544-32	680 OHM	2W 10%
R2, 7 and 12	72312-32	100 OHM	1W 10%
R3 and 8	77293-255	1 K	1/4W 5%
R4, 5, 9 and 10	77311-255	5.6 K	1/4W 5%
CAPACITORS			
C1, 2 and 4	76195-14S	.1 MFD	400V
C3	76203-17S	.22 MFD	75V
DIODES			
ITEM NO.	PART NO.	TYPE	
D10 and 11	76700-23	Rectifier	1N4004
Opt.	76700-33	Rectifier	10D4
JUMPER			
ITEM NO.	PART NO.	NAME	
J1	112721	Wire Formed	
TRANSISTORS			
ITEM NO.	PART NO.	TYPE	
TR2 and 4	140624	NPN-Silicon-Planar	

PARTS LIST	
PART NO.	NAME
141073	Printed Board and Eyelet Assembly
140769	Triac and Heatsink Assembly
76983-3	Wafer Connector
76983-4	Wafer Connector
76983-5	Wafer Connector
76719-25	Screw, 4-40 x 3/8 TRUSS
133141	Washer
73607-3	Lockwasher
136853	Nut, 4-40

CONTROL BOX COMPONENTS NOT ILLUSTRATED	
PART NO.	NAME
76980-15	Spacer (4)
141494	Insulator
76984-3	Harness Connector
76984-4	Harness Connector
76984-5	Harness Connector
139139	Terminal (for 76984 Connectors)



140758

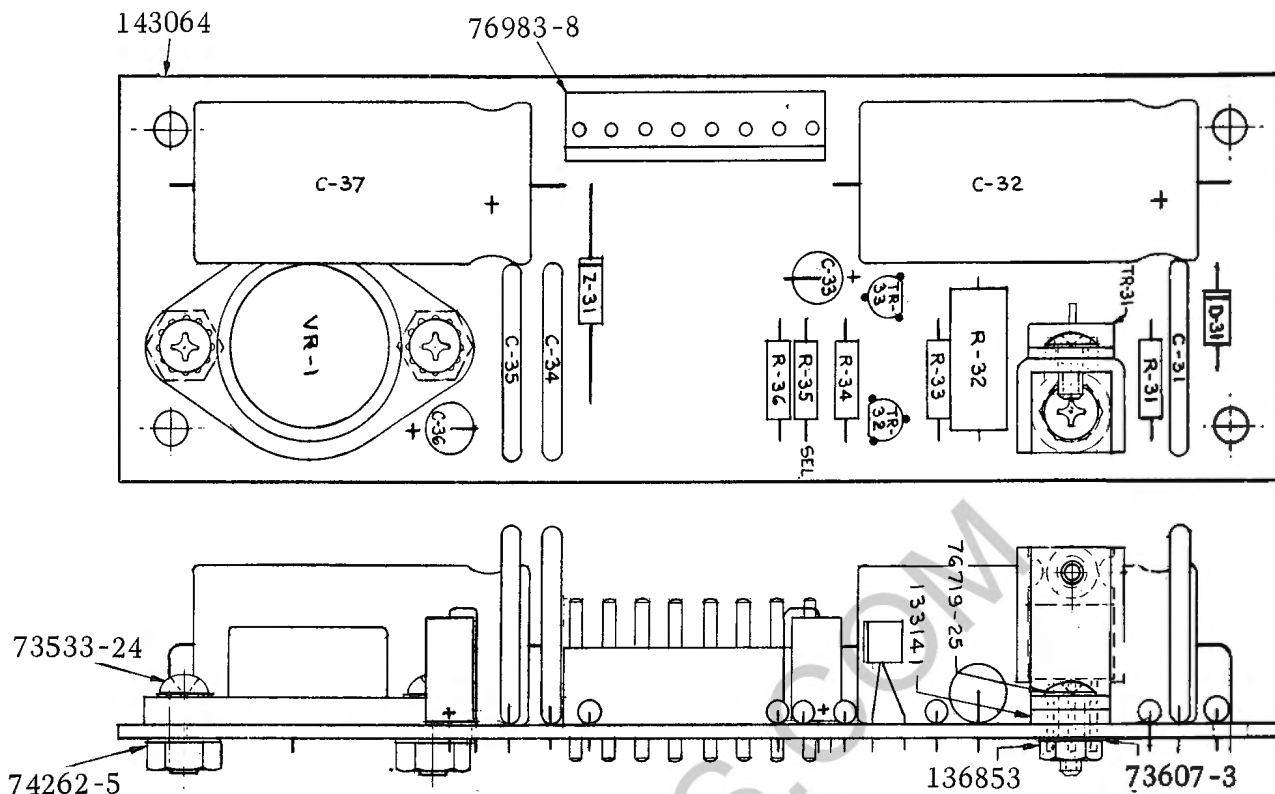
PRINTED BOARD ASSEMBLY - TIMING PART NO. 140756

RESISTORS			
ITEM NO.	PART NO.	VALUE	
R1	76972	1.5 OHM	8W 5%
R2	77295-255	1.2 K	1/4W 5%
R3 and 8	77293-255	1 K	1/4W 5%
R4	77317-255	10 K	1/4W 5%
R5, 6 and 7	77311-255	5.6 K	1/4W 5%
R9	77281-255	330 OHM	1/4W 5%
R10 and 11	77269-255	100 OHM	1/4W 5%
R12	77345-255	150 K	1/4W 5%
R13	72332-32	680 OHM	1W 10%
R14	77341-255	100 K	1/4W 5%
CAPACITORS			
C1	77510-2	100 MFD	16V
C2	77513-6	470 MFD	50V
C3	77507-3	22 MFD	16V
C4	77509-3	47 MFD	16V
DIODES			
ITEM NO.	PART NO.	TYPE	
D1 thru D4	76700-23	Rectifier	1N4004
Opt.	76700-33	Rectifier	10 D4
D6	71588-21	Rectifier	DO-1
Opt.	71588-22	Rectifier	
Z1	128449	Zener Diode	1N4758
TRANSISTORS			
TR1, 2 and 5	137480	NPN-Silicon-Annular	
TR3	140624	NPN-Silicon-Planar	
TR4	140623	PNP-Silicon-Planar	
TR6	132650	UNIJ-Silicon-Unijunction	

PARTS LIST	
PART NO.	NAME
140758	Printed Circuit Board
76983-3	Wafer Connector
76983-5	Wafer Connector
76983-6	Wafer Connector

CONTROL BOX COMPONENTS NOT ILLUSTRATED			
RESISTORS			
ITEM NO.	PART NO.	VALUE	
NONE	72324-32	330 OHM	1W 10%
NONE(-4,-7)	74818-2	50 OHM	5W 10%
NONE	72288-32	10 OHM	1W 10%
NONE(-4,-7)	74528-32	150 OHM	2W 10%
CAPACITORS			
NONE	71459-14	.47 MFD	400V
NONE	77505-8	4.7 MFD	80V
NONE	77510-6	100 MFD	50V
NONE	77510-4	100 MFD	25V
DIODES			
ITEM NO.	PART NO.	TYPE	
D8, 9 and 20	76700-23	Rectifier	1N4004
Opt.	76700-33	Rectifier	10D4
PART NO.	NAME		
76984-3	Harness Connector		
76984-5	Harness Connector		
76984-6	Harness Connector		
139139	Terminal (for 76984 Connectors)		
76980-12	Spacer (3)		
138747	Insulator		

SECTION B

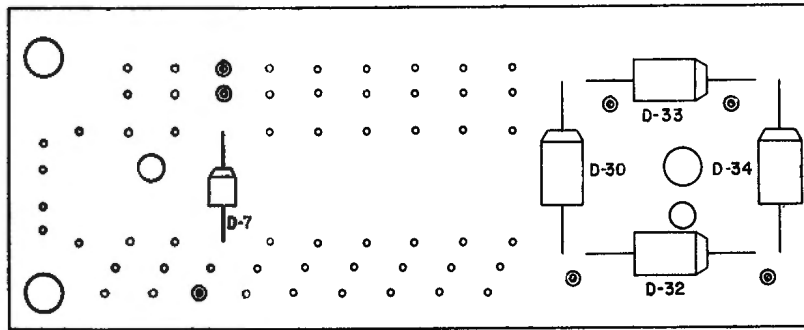


PRINTED BOARD ASSEMBLY - VOLTAGE REGULATOR - PART NO. 143062

RESISTORS				
ITEM NO.	PART NO.	VALUE		
R31	77315-253	8.2 K	1/4W	5%
R32	88599-255	200 K	2W	5%
R33	77241-253	6.8 OHM	1/4W	5%
R34	77294-253	1.1 K	1/4W	5%
	77313-253	6.8 K	1/4W	5%
R35	77315-253	8.2 K	1/4W	5%
SEL.	77317-253	10 K	1/4W	5%
	77319-253	12 K	1/4W	5%
R36	77294-253	1.1 K	1/4W	5%
CAPACITORS				
C31	77391-433	.22 MFD	DISC	
C32	77513-6	470 MFD	50V	
C33	76948-2	10 MFD	15V	
C34	77391-433	.22 MFD	DISC	
C35	77391-433	.22 MFD	DISC	
C36	77948-2	10 MFD	25V	
C37	77513-6	470 MFD	50V	
DIODES				
ITEM NO.	PART NO.	TYPE		
D31	76700-23	RECTIFIER		
OPT.	76700-33	RECTIFIER		
Z31	143746	ZENNER	6.8V	1W

TRANSISTORS		
ITEM NO.	PART NO.	TYPE
TR31	143201	TRANSISTOR ANS HEAT SINK ASSEMBLY PNP-SILICON-PLANAR
TR32 and TR33	140623	
VOLTAGE REGULATOR		
VR1	142130	+12V
OPT.	143076	+12V

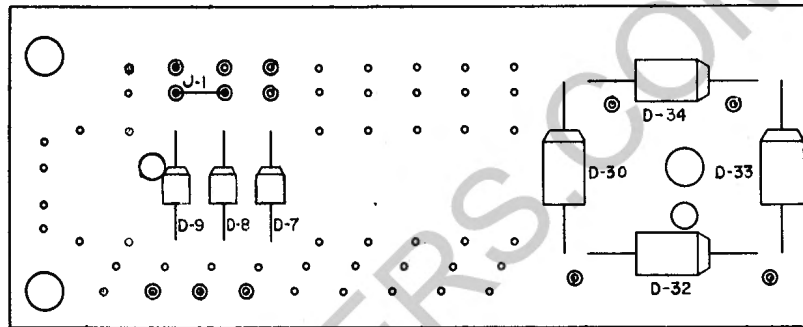
PARTS LIST	
PART NO.	NAME
143064	PRINTED CIRCUIT BOARD, VOLTAGE REG.
76719-25	SCREW, MACHINE, TRUSS HEAD
133141	WASHER
73607-3	LOCKWASHER, INTERNAL
136853	NUT, 4-40, BRASS
73533-24	SCREW, SEMS, RD. HD. (2)
74262-5	KEPS LOCKWASHER AND NUT (2)
76983-8	WAFER CONNECTOR
76980-15	SPACER (4)



PRINTED BOARD ASSEMBLY - PART NO. 141107

DIODES		
ITEM NO.	PART NO.	TYPE
D7	76700-23	Rectifier 1N4004
Opt.	76700-33	Rectifier 10 D4
D30 thru 34	71588-21	Rectifier-Silicon DO-1
Opt.	71588-22	Rectifier-Silicon

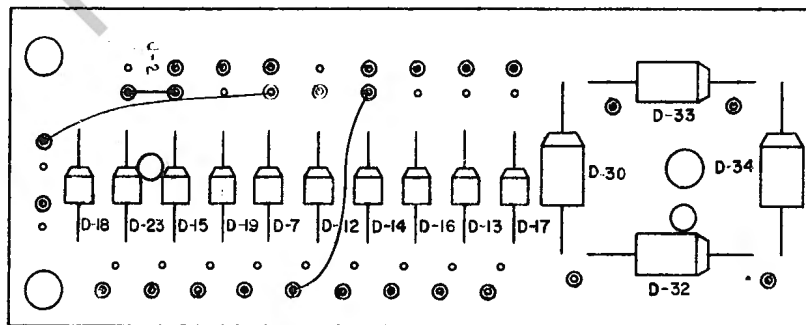
PARTS LIST	
PART NO.	NAME
140747	Printed Board and Eyelet Assembly
76980-12	Spacer (3) (not illustrated)
138872	Insulator (not illustrated)



PRINTED BOARD ASSEMBLY - PART NO. 141108

DIODES		
ITEM NO.	PART NO.	TYPE
D7 thru 8	76700-23	Rectifier 1N4004
Opt.	76700-33	Rectifier 10 D4
D30 thru 34	71588-21	Rectifier-Silicon DO-1
Opt.	71588-22	Rectifier-Silicon

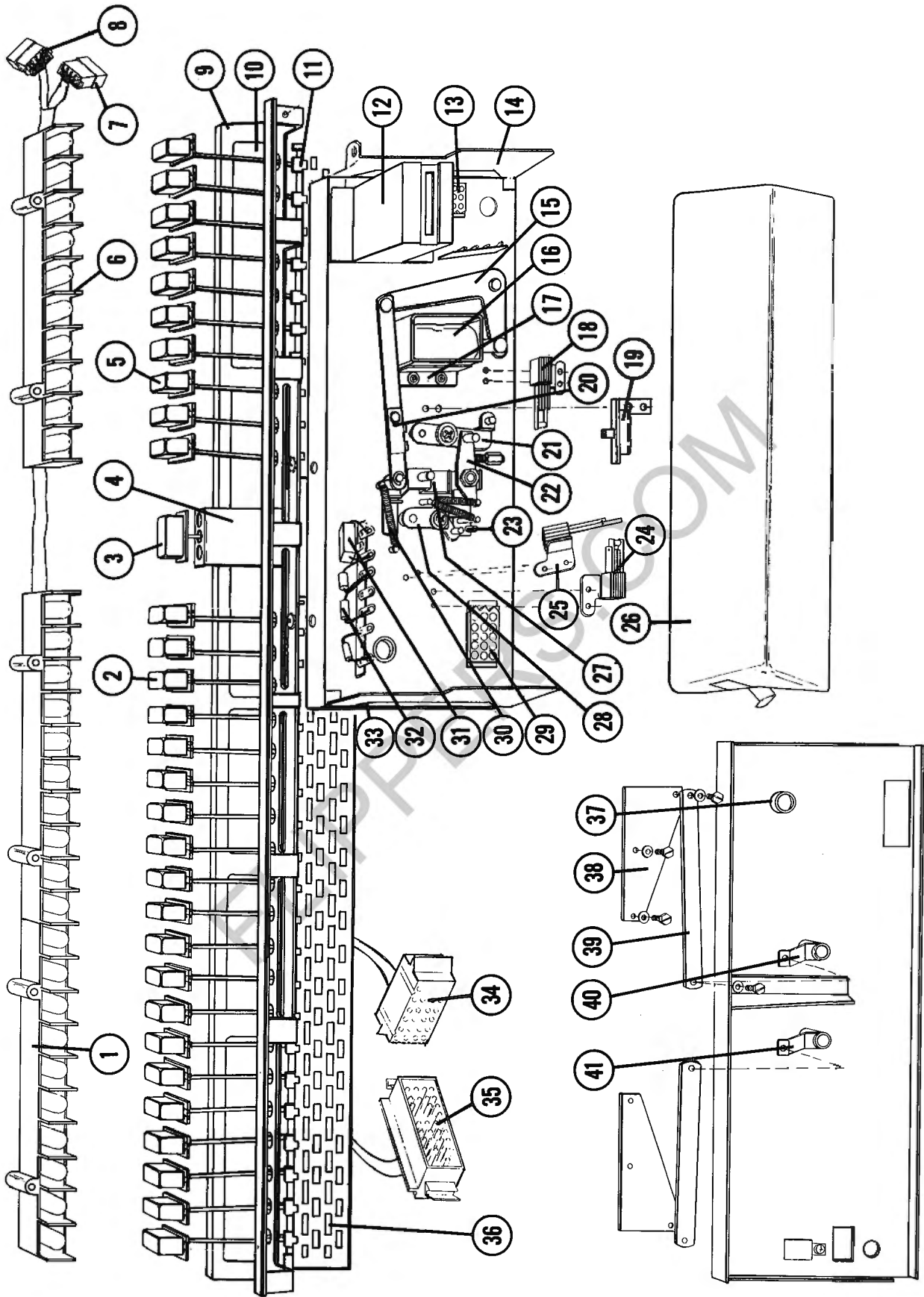
PARTS LIST	
PART NO.	NAME
140839	Printed Board and Eyelet Assembly
76980-12	Spacer (3) (not illustrated)
138872	Insulator (not illustrated)



PRINTED BOARD ASSEMBLY - PART NO. 141109

DIODES		
ITEM NO.	PART NO.	TYPE
D7 thru 23	76700-23	Rectifier 1N4004
Opt.	76700-33	Rectifier 10 D4
D30 thru 34	71588-21	Rectifier-Silicon DO-1
Opt.	71588-22	Rectifier-Silicon

PARTS LIST	
PART NO.	NAME
140842	Printed Board and Eyelet Assembly
76980-12	Spacer (3) (not illustrated)
138872	Insulator (not illustrated)



SHIELD AND CABLE ASSEMBLY - SELECTOR SWITCH ASSEMBLY - ILLUSTRATED PARTS LIST

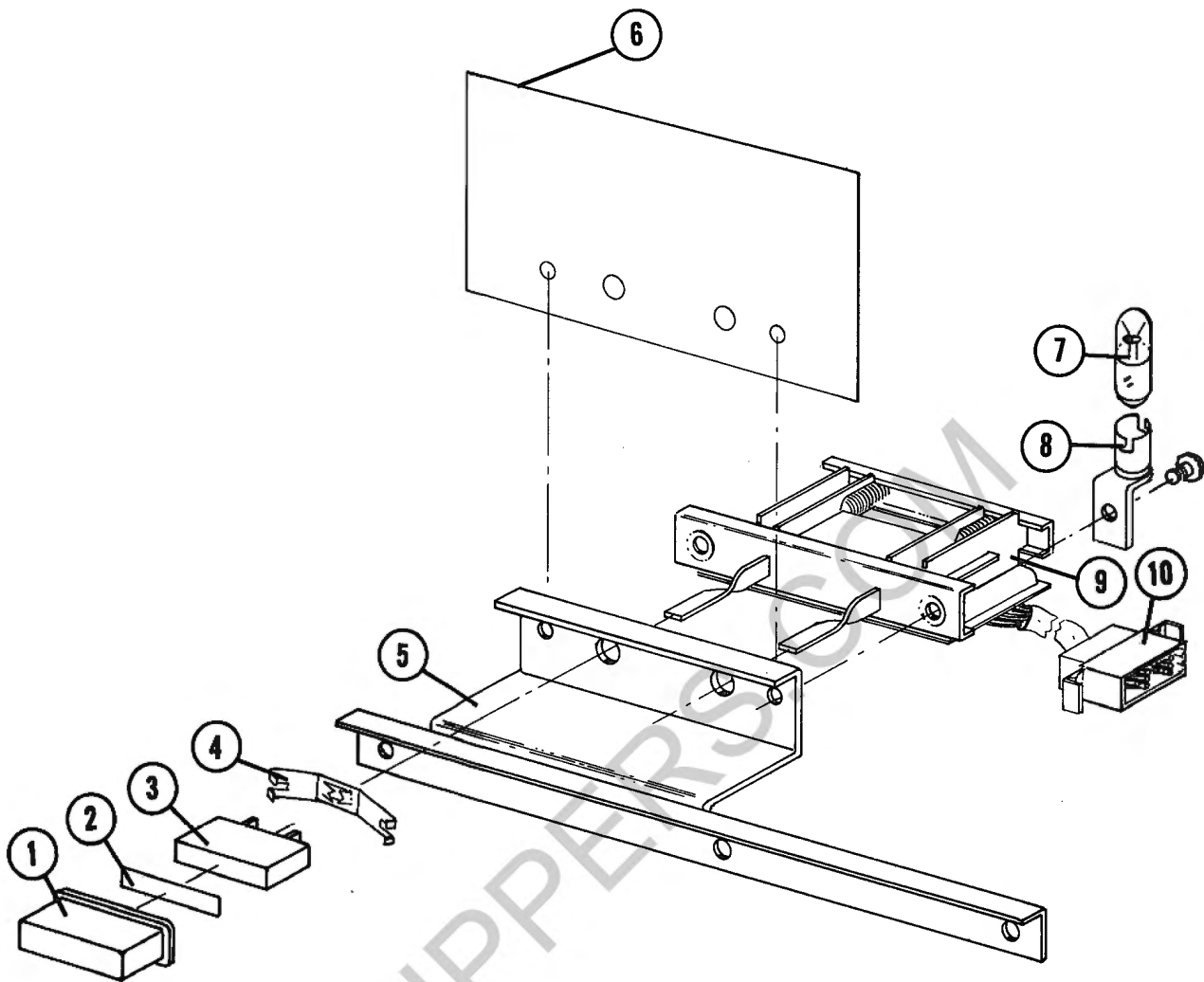
	200	160	100
1. Shield and Insulator Assembly (2)	140576		
Lamp (20)	136858		
2. Selector Button and Clip Assembly, A	143002	143002	143002
Selector Button and Clip Assembly, B	143003	143003	143003
Selector Button and Clip Assembly, C	143004	143004	143004
Selector Button and Clip Assembly, D	143005	143005	143005
Selector Button and Clip Assembly, E	143006	143006	143006
Selector Button and Clip Assembly, F	143007	143007	143007
Selector Button and Clip Assembly, G	143008	143008	143008
Selector Button and Clip Assembly, H	143009	143009	143009
Selector Button and Clip Assembly, J	143010	143010	143010
Selector Button and Clip Assembly, K	143011	143011	143011
Selector Button and Clip Assembly, L	143012	143012	
Selector Button and Clip Assembly, M	143013	143013	
Selector Button and Clip Assembly, N	143014	143014	
Selector Button and Clip Assembly, P	143015	143015	
Selector Button and Clip Assembly, Q	143016	143016	
Selector Button and Clip Assembly, R	143017	143017	
Selector Button and Clip Assembly, S	143018	143018	
Selector Button and Clip Assembly, T	143019	143019	
Selector Button and Clip Assembly, U	143020	143020	
Selector Button and Clip Assembly, V	143021	143021	
Cap Only	142649	142649	142649
Insert	142650	142650	142650
Clip Only	131909	131909	131909
3. Button and Clip Assembly Reset	143032	143032	143032
Cap Only	143456	143456	143456
Insert	143455	143455	143455
Clip Only	131909	131909	131909
4. Stop Bracket	139831	139831	139831
Switch, Reset	139837	139837	139837
5. Selector Button and Clip Assembly, 1	143022	143022	143022
Selector Button and Clip Assembly, 2	143023	143023	143023
Selector Button and Clip Assembly, 3	143024	143024	143024
Selector Button and Clip Assembly, 4	143025	143025	143025
Selector Button and Clip Assembly, 5	143026	143026	143026
Selector Button and Clip Assembly, 6	143027	143027	143027
Selector Button and Clip Assembly, 7	143028	143028	143028
Selector Button and Clip Assembly, 8	143029	143029	143029
Selector Button and Clip Assembly, 9	143030		143030
Selector Button and Clip Assembly, 0	143031		143031
Cap Only			
Insert			
Clip Only			
Complete Set Selector Button and Clip Assembly	143002A	143002C	143002B
6. Shield and Insulator Assembly	140475		
Lamp (10)	136858		
Diode (10)	76700-23		
7. Plug, 15W	131887		
Pin Terminal (3)	132000		
8. Plug, 15B	131889		
Pin Terminal (15)	132000		
9. Mounting Plate	142997	142997	142998
Light Shield, R.H.	143106	143106	143106
Light Shield, L.H.	143107	143107	143107
10. Light Diffuser	142999	142999	142999
11. Selector Switch, Numbers	139842	139843	139844

SECTION B

SHIELD AND CABLE ASSEMBLY - SELECTOR SWITCH ASSEMBLY - ILLUSTRATED PARTS LIST (Cont'd.)

ALL
MODELS

12. Electric Counter	143398	25. Switch and Bracket Assembly, Series	
13. Receptacle, 9W	131173	Letters	66007
Contact Terminal (9)	132001	Switch Assembly	64982
14. Gusset, R.H.	140544	Mounting Bracket	64991
15. Crank and Link Assembly	111720	Retainer	63014
Retaining Ring	73724-15	26. Cover and Clip Assembly	140894
Retaining Ring	73724-18	27. Release Lever	140168
16. Latch Solenoid	112104	Washer	56773
Plunger, Solenoid	112104-1	Spring, Solenoid Return	133543
Pin, Solenoid Plunger	65947	28. Latch Lever, Letters	117695
Washer	487	Washer	73608-45
Internal Hair Pin	74402-1	29. Receptacle, 15W	131888
17. Mounting Bracket, Latch Solenoid	117747	Contact Terminal (12)	132001
Washer (2)	54024	30. Stop Bracket	56628
18. Switch Assembly	60518	Washer (2)	27787
Retainer Plate	63014	Rubber Grommet	117689
Mounting Bracket	121005	31. Resistor, 85 Ohm, 5W	74819-2
19. Switch and Bracket Assembly	140170	32. Diode (3)	76700-23
20. Switch Actuator	140070	33. Gusset, L.H.	140545
21. Latch Lever, Numbers	64913	34. Plug, Molex, 24	657712
Washer	73608-45	Pin Terminal (21)	138557
22. Trip Lever, R.H., Numbers	117694	35. Plug, Molex, 36	505966
Stop Nut, 10-32	74988-14	Pin Terminal (29)	138557
Washer (2)	67610	36. Selector Switch, Letters 3800-3860	139840
Washer	56733	Selector Switch, Letters 3810	139841
Spring, Trip Lever, R.H.	57129	37. Snap Bushing (2)	74849-10
23. Trip Lever, L.H., Letters	117691	38. Connector Link Plate (2)	126521
Spacer	57790	Spacer, Link, Selector Switch (4)	126299
Spring, Trip Lever, L.H.	120067	Spacer, Shoulder Bushing, Link (2)	124040
24. Switch Assembly	60518	Washer (4)	27787
Retainer Plate	63014	39. Connector Link (2) 3800-3860	126550
Mounting Bracket	121005	Connector Link (2) 3810	126551
		Shoulder Bushing, Link (4)	124018
		Washer (2)	42120
		40. Shaft, Link and Lever Assembly	126507
		41. Shaft, Link and Lever Assembly	126510

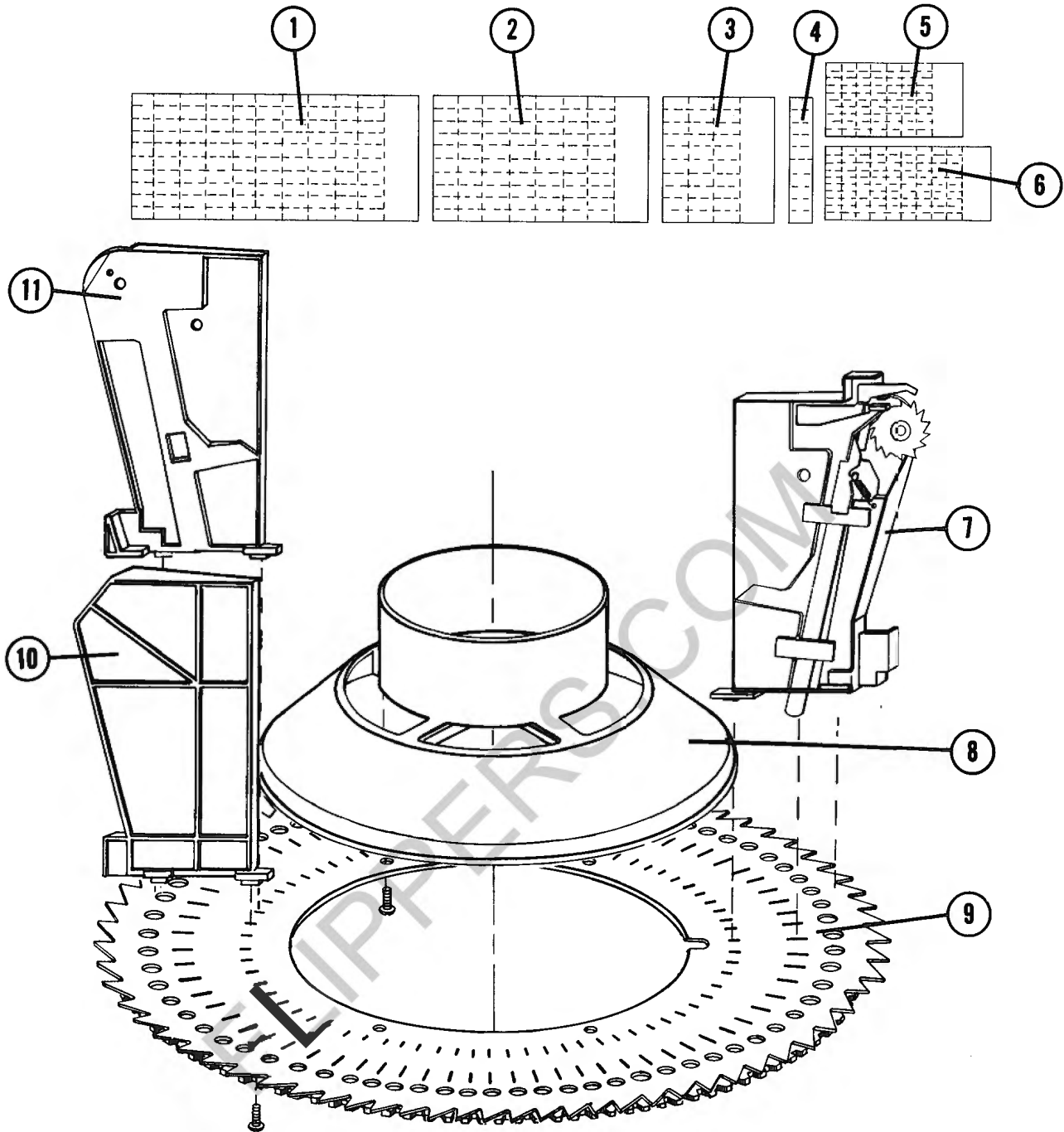


MOUNTING BRACKET, SWITCH AND CABLE ASSEMBLY
ILLUSTRATED PARTS LIST

1. Cap, Red	140019
Cap, Blue	143381
2. Label, Program 1	143661
Label, Program 2	143662
3. Insert (2)	139842
4. Clip (2)	131909
5. Mounting Bracket and Glass Clamp Assembly	140314
6. Color Shield	143672
7. Bulb, GE 1847	138275
8. Socket	48512
9. Selector Switch	140409
10. Plug - 12R	131929
Pin Terminal (9)	132000

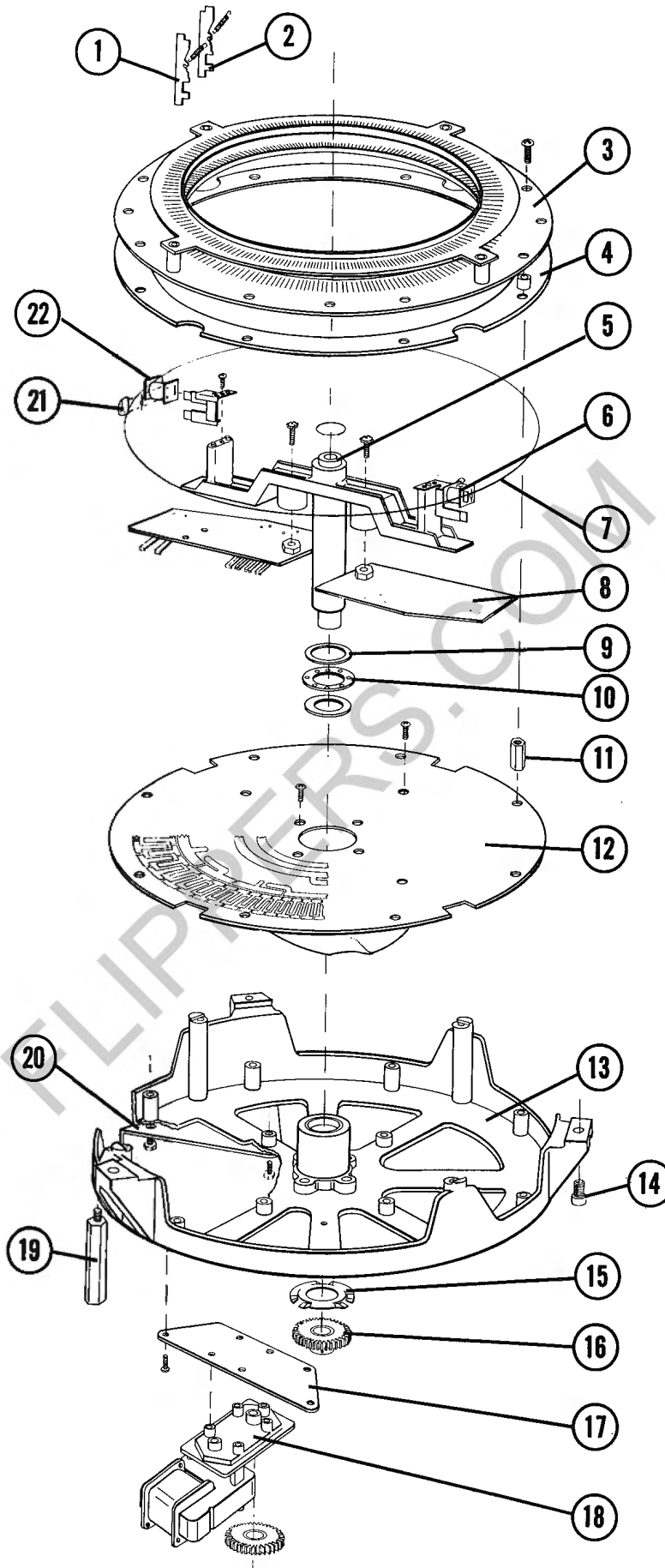
INDEX TO PARTS DRAWINGS

Record Magazine Assembly	Page 31
Selection Accumulator	Page 32-33
Record Changer L.H.	Page 34-35
Cam and Gear Assembly	Page 36-37
Record Changer R.H.	Page 38-39
Turntable and Mounting Plate Assembly	Page 40-41
Tone Arm Assembly	Page 42
Record Takeout Arm	Page 43
Turntable Assembly	Page 44



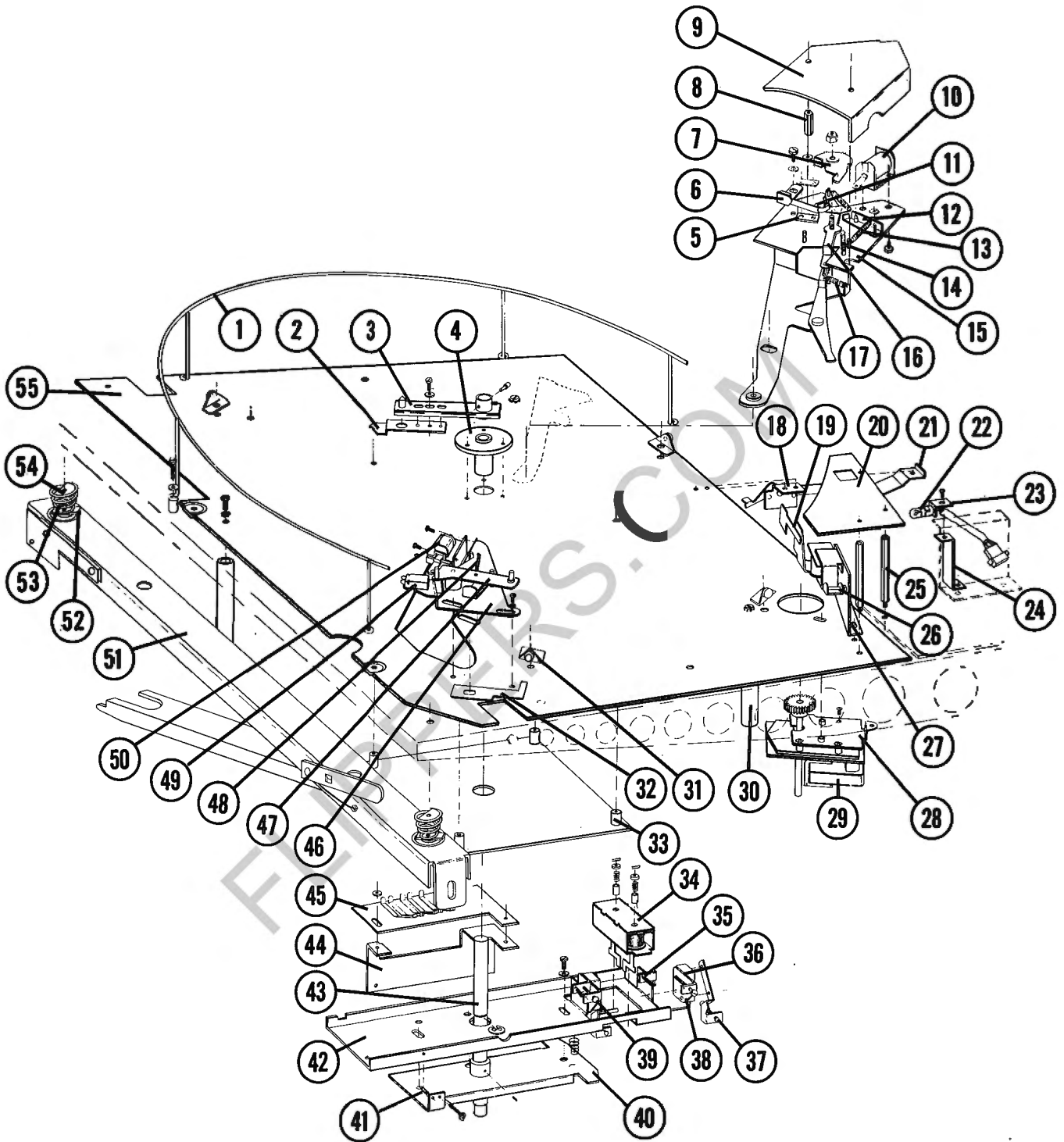
RECORD MAGAZINE ASSEMBLY

1. Label, Record Playing	3800	136770	7. Record Separator Assembly	135982
2. Label, Record Playing (Numbers 2 through 8)	3860	136771	8. Casting, Record Holder	136521
3. Label, Record Playing (Letters C through K)	3810	136773	9. Plate and Gear Assembly	135958
4. Label, Record Playing (Number 1)	3860	136772	10. Filler, Record Magazine	3800-3860 136513
Label, Record Playing (Letters A and B)	3810	136774	Filler, Record Magazine	3860 136514
Label, Record Playing (Letters F and G)	3810	136775	Support Assembly, Magazine Filler	3860 138824
5. Label, Record Magazine Loading	3800-3810	134714	Mounting Bracket Assembly	3860 136516
6. Label, Record Magazine Loading	3860	134873	Filler, Record Magazine(2)	3810 136515
			Support Assembly, Magazine Filler(2)	3810 138823
			Mounting Bracket Assembly (2)	3810 136516
			11. Record Separator and Counter Assembly	135979



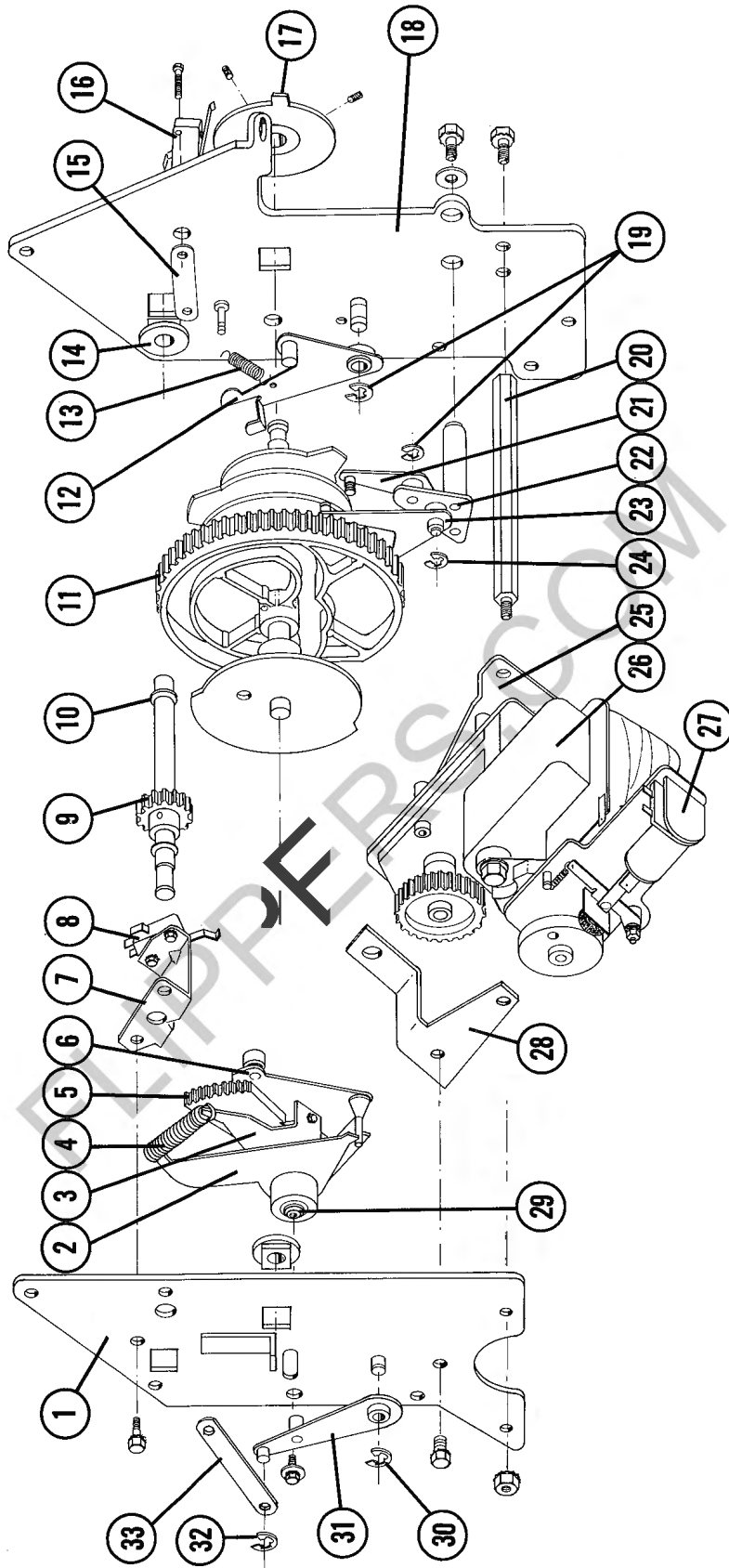
SELECTION ACCUMULATOR ILLUSTRATED PARTS LIST

1. Latch Pin, Inside	128321
2. Latch Pin, Outside	128320
Spring, Latch Pin,	
Selection Accumulator	128322
3. Ring and Spacer Assembly	3800 133532
Ring and Spacer Assembly	3860 134245
Ring and Spacer Assembly	3810 134082
Spacer (8)	128324
4. Plate, Pin Stop	133348
5. Shaft and Magnet Arm Assembly,	
Selection Accumulator	133499
6. Bobbin and Wire Assembly (2)	133375
7. Shield and Support Assembly	138786
8. Contact Plate and Blade Assembly (2)	138299
9. Thrust Washer (2)	122630
10. Ball Race	122631
11. Spacer, Selection Accumulator (8)	133886
12. Contact Board and Cable Assembly	3800 138286
Contact Board and	
Cable Assembly	3860 138287
Contact Board and	
Cable Assembly	3810 138288
Plug, 12	131176
Pin Terminal (9)	132000
Receptacle, 15	131888
Contact Terminal (15)	132001
Receptacle, 9	131173
Contact Terminal (9)	132001
Receptacle, 12	131175
Contact Terminal (10)	132001
13. Casting and Bearing Assembly,	
Selection Accumulator	133531
Clutch Bearing	128638
14. Screw, 1/4-20 x 3/4, Cap (3)	73571-64
Lockwasher (3)	73605-9
15. Spring Washer	128739
16. Gear and Hub Assembly,	
Selection Accumulator, Shaft	128305
Set Screw, 8/32 x 3/16	73528-29
17. Motor Mounting Plate,	
Selection Accumulator	128291
18. Motor and Gear Assembly	135136
Gear and Hub Assembly	128293
Roll Pin	73782-34
19. Support Leg, Selection Accumulator	133420
(For Service Only)	
20. Mounting Bracket, Receptacles	138296
21. Capacitor, .18 mfd. 75V (2)	76201-17
22. Diode, Zenner (2)	128449



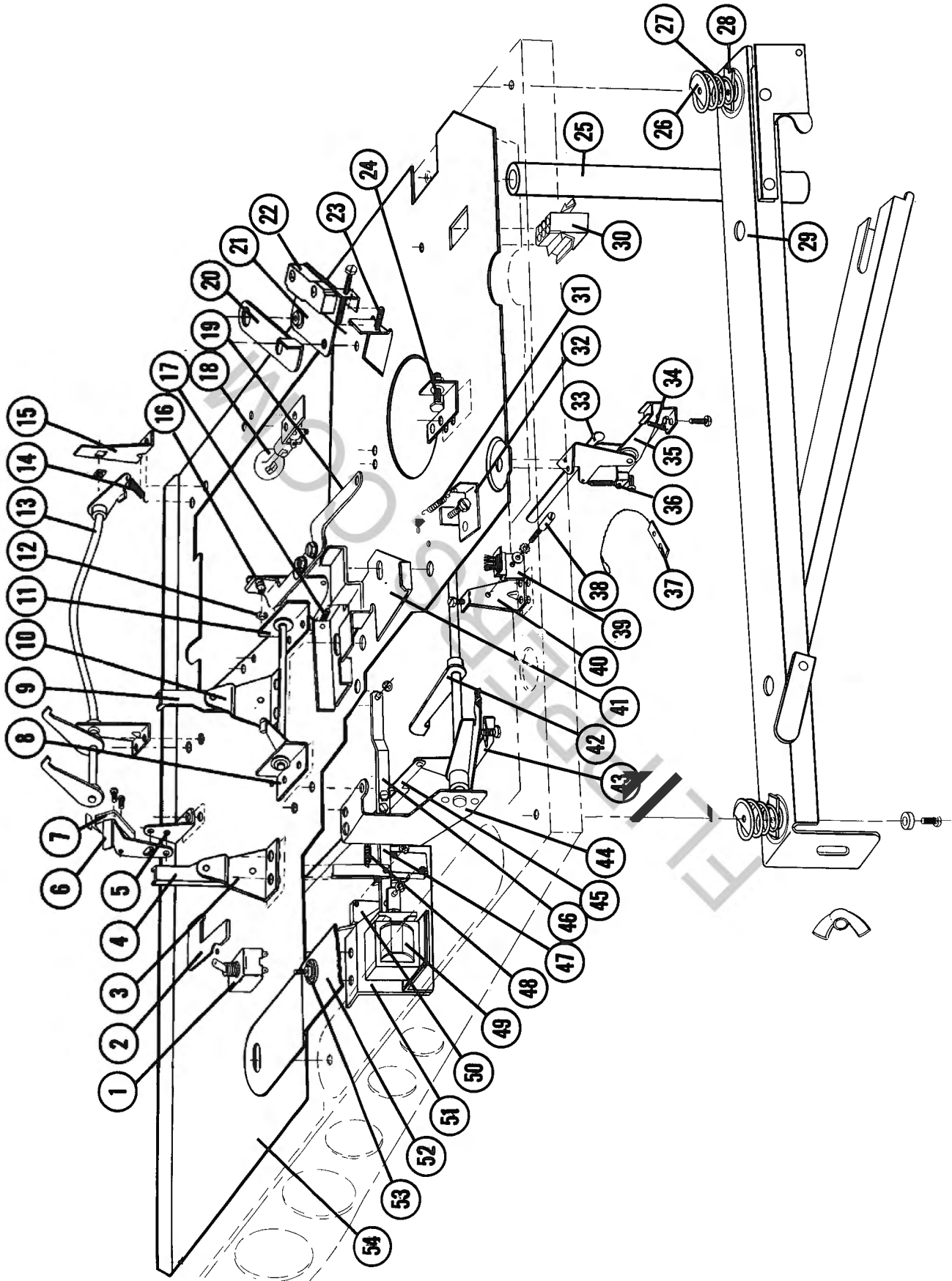
RECORD CHANGER ILLUSTRATED PARTS LIST, L.H.

1. Record Support	136491	Contact Terminal (15)	132001
2. Cam, Override	135922	Receptacle, 15W	131888
3. Drive Arm and Contact Blade Assembly	137318	Contact Terminal (10)	132001
(Part of Drive Arm and Support		Receptacle, 6	138838
Arm Assembly, 137333)		Contact Terminal (3)	132001
Roll Pin	73782-52	Plug, 6	131172
4. Housing and Clutch Assembly	128643	Pin Terminal (5)	132000
Roller Clutch	128641	34. Cancel Solenoid Assembly	133476
Housing and Bushing Assembly	128384	Internal Hair Pin (2)	77402-1
Bushing	128383	Cup Washer (2)	64766
5. Guide, Ratchet	128367	Spring (2)	64780
Spacer (2)	135185	Plunger (2)	133374
6. Switch and Bracket Assembly	135959	35. Spring, Readout Switch (2)	133426
Switch Assembly	138837	36. Switch and Actuator Lever Assembly,	
Retainer Plate	63014	Side 2	135803
Mounting Bracket	135924	37. Pretravel Bracket and Stop Nut Assembly	135499
7. Ratchet Wheel and Hub Assembly	128363	(2)	
8. Spacer Stud (2)	135938	38. Bracket Assembly, Readout (2)	133475
9. Cover, Override	136458	39. Switch and Actuator Lever Assembly,	
10. Solenoid	133482	Side 1	135802
Gripping	76922-12	40. Support Arm and Stop Nut Assembly	137315
11. Spring, Lever and Link	136154	(Part of Drive Arm and Support	
12. Latch and Pin Assembly	135969	Arm Assembly, 137333)	
13. Spring, Armature	136236	Roll Pin	73782-51
14. Spring, Ratchet Wheel	128647	Retaining Ring	73724-39
15. Mounting Plate and Stud Assembly	135964	Spring (2)	137330
Spacer, Override	135937	41. Spring	133418
16. Lever Assembly, Override	135967	42. Arm, Readout	133535
Retaining Ring	73724-15	43. Shaft, Drive Arm	135929
17. Spring	133543	(Part of Drive Arm and Support	
18. Counter, Lever and Hub Assembly	138027	Arm Assembly, 137333)	
Bracket and Pin Assembly	138024	44. Bracket, Contact Plate	136039
19. Window Plate and Rivet Assembly	134592	Resistor 175 ohm, 5W (2)	74824-2
20. Plate and Silk Screen Assembly	141118	45. Contact Plate and Blade Assembly, Dlx.	136438
21. Mirror, Record Playing	141111	Contact Plate and Blade Assembly, Std.	136472
22. Lamp, No. 1847	138275	46. Mounting Bracket and Pin Assembly	142883
23. Light Socket and Wire Assembly	110454	47. Locking Arm and Link Assembly	136431
Receptacle (6)	138838	Spacer	129818
Contact Terminal	132001	Stop Nut 4-40	74988-7
24. Light Bracket, Record Playing	136466	48. Spring	128748
25. Spacer, Record Playing Plate	137026	49. Switch	128344
26. Magnet and Frame Assembly	135771	Tapping Plate	128283
Resistor, 135 ohm, 5 Watt	74840-2	50. Solenoid and Plug Assembly	142879
27. Mounting Bracket, Window Plate	136462	Mounting Plate, Solenoid	142884
28. Mounting Plate and Spacer Assembly	134003	51. Channel and Spring Assembly	
29. Motor and Gear Assembly	133487	Left Hand	140393
Receptacle, 2	129381	Spring	140805
Pin Terminal (2)	132000	Retaining Rail (not shown)	140668
30. Spacer, Selection Accumulator	133402	52. Retainer, Chassis Spring (2),	
31. Mounting Bracket and Roller Assembly(4)	135707	Part of Item 51.	136506
32. Positioning Plate, Magazine Lock	135212	53. Spring (2), Part of Item 51.	61059
33. Contact Board and Wire Assembly, Std.	138878	54. Retainer, Chassis Spring (2),	
Plug, 6	131172	Part of Item 51.	134735
Pin Terminal (5)	132000	55. Mounting Plate	136076
Contact Board and Wire Assembly,			
Deluxe	138879		
Receptacle, 15B	131890		



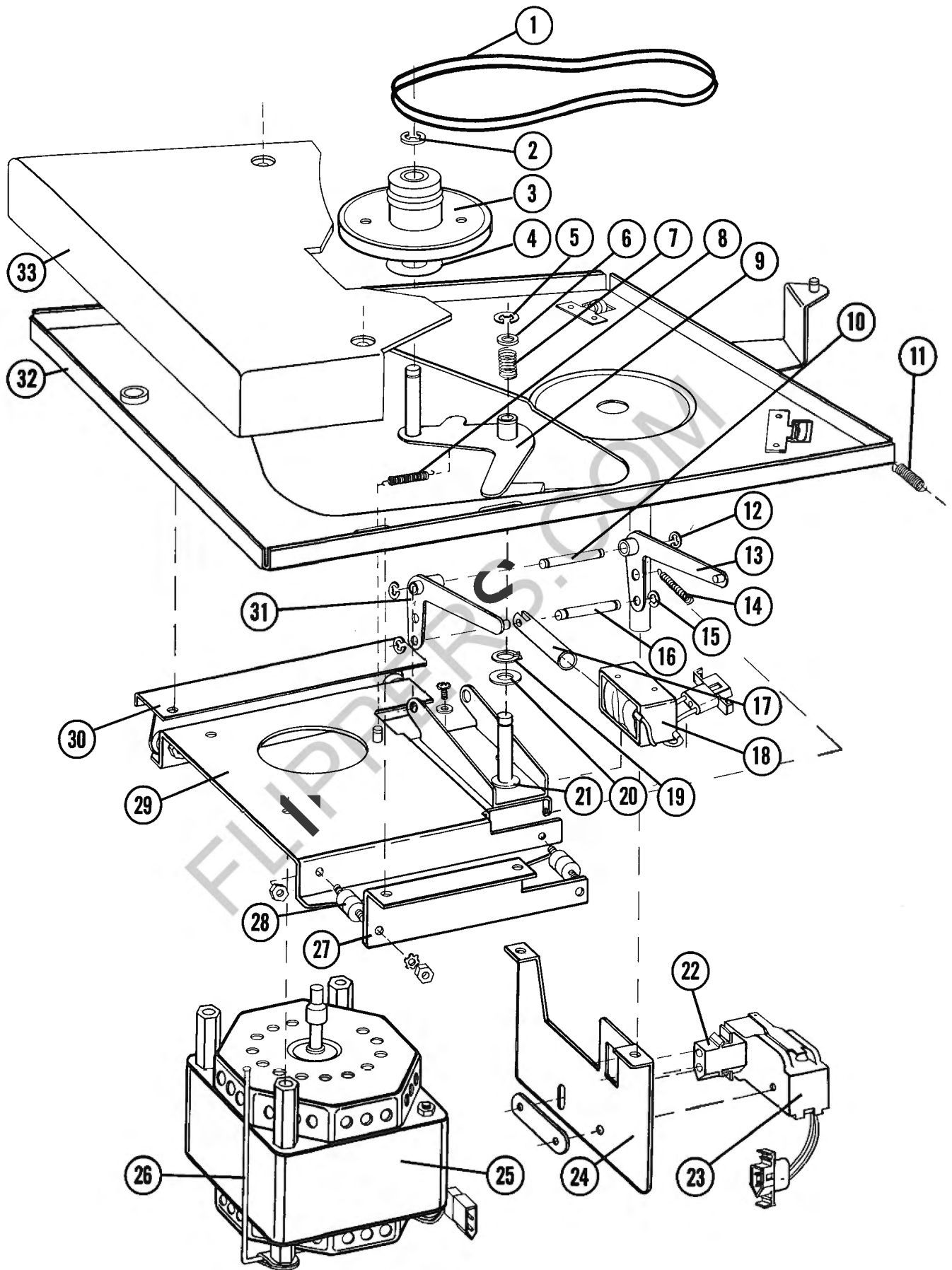
CAM AND GEAR ASSEMBLY ILLUSTRATED PARTS LIST

1. Plate and Pivot Pin Assembly	137897	23. Lever Bearing and Pin Assembly	
2. Actuating Arm and Hub Assembly	137928	Tone Arm Feed-In	137918
3. Actuating Arm and Hub Assembly	137933	24. Retaining Ring	73724-25
4. Spring, Record Takeout Segment Gear	133096	25. Mounting Bracket and Spacer Assembly	137956
5. Segment Gear, Record Transfer	137936	26. Motor and Gear Assembly	136782
6. Roller Bracket Assembly	137937	Gear, Motor	135259
7. Mounting Bracket, Transfer Switch	137954	Roll Pin	73782-32
8. Switch, Transfer	138772	Plug, 2	129377
Tapping Plate	128283	Contact Terminal (2)	132001
9. Shaft and Gear Assembly,		27. Motor Brake Assembly	136783
Record Transfer	137905	Mounting Plate and Pin Assembly	133484
10. Retaining Ring (2)	73728-37	Lever and Pad Assembly	133429
11. Cam Assembly	137943	Spring, Motor Brake	133428
Spacer	141382	Locknut, 4-40	74988-7
12. Lever, Bearing and Pin Assembly,		Washer	53519
Record Clamp	137907	Roll Pin	73782-2
13. Spring, Clamp Lever	137911	Solenoid	133483
14. Bushing, Side Plate (4)	137904	Washer (2)	32629
15. Tapping Plate (used with Item 16) (2)	128283	28. Support, Shaft, Record Transfer	137926
16. Play Switch	137952	29. Shaft, Record Transfer	137927
Cancel Switch (not shown)	137952	30. Retaining Ring	73724-25
17. Cam and Hub Assembly	137948	31. Lever Bearing and Pin Assembly,	
Set Screw, 8-32 x 3/16 CUP (2)	73511-29	Record Release	137921
18. Plate and Pivot Pin Assembly	137893	32. Retaining Ring	73724-18
19. Retaining Ring (2)	73724-25	33. Link, Record Release	138017
20. Spacer (4)	137960		
21. Lever Bearing and Pin Assembly,			
Tone Arm Lift	137917		
22. Mounting Plate, Pin and Spacer Assembly	137913		



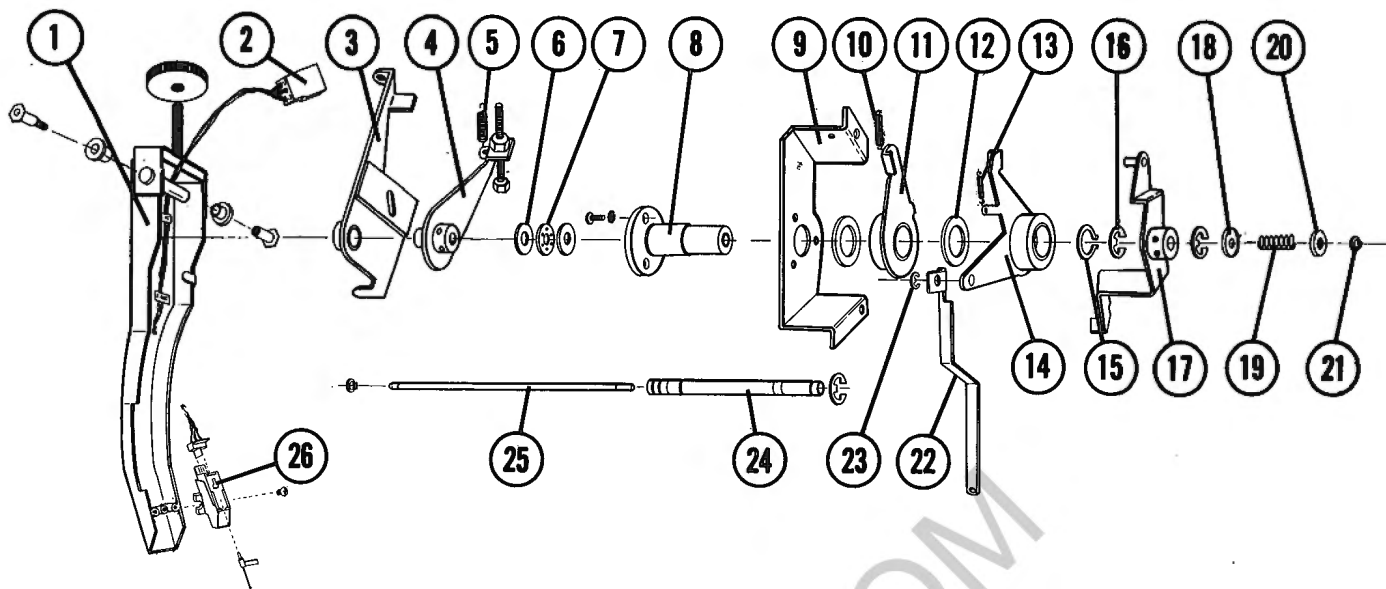
RECORD CHANGER ILLUSTRATED PARTS LIST, R.H.

1. Switch, Service	121301	31. Spring, Turntable Return (6 1/2 oz. at 1 1/2")	133543
2. Locating Plate, Record Arm Assembly	136366	32. Bracket and Stop Nut Assembly, Turntable Stop	133973
3. Pivot Bracket and Stop Nut Assembly Set Screw, 6-32 x 1/2 Oval	128611 73515-24	33. Link, Tone Arm Lift Retaining Ring (2)	133395 73724-18
4. Stop and Bearing Assembly, L.H. Spring Washer Washer Retaining Ring	128609 73632-4 54024 73724-18	34. Spring	59612
5. Mounting Bracket, Safety Switch	137225	35. Lift Lever Assembly, Tone Arm Lift	133137
6. Adjustment Plate, Safety Switch	137231	36. Spring	115821
7. Switch	138614	37. Plate and Pin Assembly Cable Assembly	137974 137976
8. Pivot Bracket Bushing	137988 137967	Retaining Ring (2)	73724-18
9. Stop and Bearing Assembly, R.H. Spring Washer Washer Retaining Ring	128610 73632-4 54024 73724-18	38. Thumbscrew	132113
10. Pivot Bracket and Stop Nut Assembly Set Screw, 6-32 x 1/2 Oval	128611 73515-24	39. Brush Holder Brush	135280 135180
11. Shaft and Lever Assembly	137984	40. Record Arm Rest and Nut Assembly	132862
12. Retaining Ring	73724-18	41. Clamp Bracket and Handle Assembly	138465
13. Lever and Shaft Assembly, Record Clamp	137977	42. Shaft and Lever Assembly Turntable Reset Spring	138300 59894
14. Spring, Record Release (7 1/2 oz. at 1")	138033	43. Lever and Hub Assembly Turntable Reset Spring	128229 59612
15. Pivot Bracket Bushing	137988 137967	44. Mounting Bracket and Bushing Assembly Mounting Bracket and Bushing Assembly (not shown)	137192 128226
16. Link, Turntable Shift	137990	45. Link Assembly, Playmeter Link, Playmeter	138018 138019
17. Spring, Turntable Release (4 5/16 oz. at 2 5/16")	65096	Link, Offset, Playmeter	138020
18. Bulb #305 Light Socket	135165 122358	Screw, Red (2)	136509
19. Link, Turntable Shift Retaining Ring	137989 73724-18	Washer (2)	42120
20. Adjusting Plate, Trip Switch	136175	Retaining Ring (2)	73724-18
21. Mounting Plate and Stop Nut Assembly	136412	Counter Lever, Hub and Pin Assembly (not shown)	138027
22. Trip Switch and Plug Assembly Switch, Trip Plug, 3 Pin Terminal (2)	133974 121229 137254 132000	Bracket and Pin Assembly, Playmeter (not shown)	138024
23. Spring	134759	46. Link and Pin Assembly Retaining Ring (2)	128614 73724-15
24. Bracket and Stop Nut Assembly, Tone Arm	132991	47. Link and Pin Assembly Retaining Ring	136027 73724-18
25. Support, Record Changer (4) (For Service Only)	134906	48. Spring	59606
26. Retainer, Chassis Spring (2), Part of Item 29	134735	49. Solenoid and Plug Assembly Link, Solenoid	142879 136714
27. Spring (2), Part of Item 29	61059	Shoulder Screw	129819
28. Retainer, Chassis Spring (2) Part of Item 29	136506	Spacer	129818
29. Channel and Spring Assembly, R.H. Spring Wing Nut	140392 140805 76623-4	Stop Nut, 4-40	74988-7
30. Receptacle, 6 Contact Terminal (3)	131171 132001	Bracket, Solenoid	136713
		50. Switch (2) Tapping Plate	128344 128283
		51. Mounting Bracket	136030
		52. Adjustment Plate and Pivot Assembly	135989
		53. Ball Race	59679
		54. Mounting Plate and Pin Assembly	140334



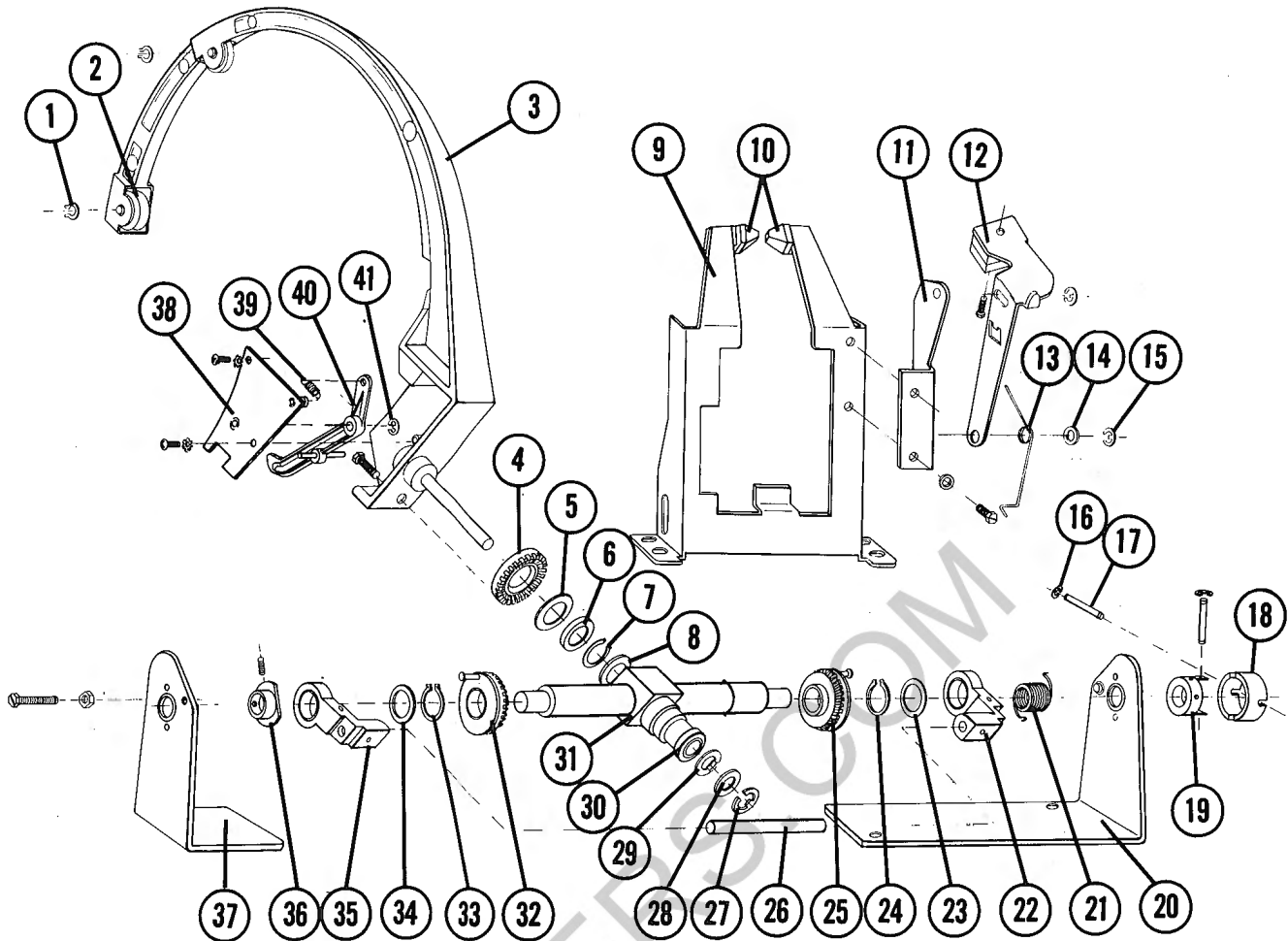
TURNTABLE AND MOUNTING PLATE ASSEMBLY ILLUSTRATED PARTS LIST

1. "O" Ring	128579	22. Receptacle - 3	130254
2. Retaining Ring	73724-25	Contact Terminal (2)	132001
3. Drive Wheel Assembly	128032	23. Micro Switch	60655
4. Shim Washer	135057	Tapping Plate	128025
5. Retaining Ring	73724-25	Plug - 3	130253
6. Cup Washer	124530	Pin Terminal (2)	132000
7. Spring, Shift, Turntable Drive	128534	24. Mounting Plate, Speed Change	128026
8. Spring, Drive Wheel Arm (6 1/2 oz. at 1 1/8")	133543	25. Motor and Sleeve Assembly	129391
9. Arm, Hub and Link Assembly	128537	Plug - 2	129377
10. Shaft, Pivot, Bell Crank	124519	Pin Terminal (2)	132000
11. Spring, Turntable Return (6 1/2 oz. x 1 1/8")	133543	26. Oil Tube	128727
12. Retaining Ring (2)	73724-18	Washer	42120
13. Bell Crank and Hub Assembly, L.H.	128046	Cable Clamp	77517-2
14. Spring, Solenoid Assist (8-10 oz. at 2 5/16")	124487	27. Mounting Bracket, Turntable Plate	133460
15. Retaining Ring (2)	73724-15	28. Rubber Mount (4)	60882
16. Shaft, Solenoid, Bell Crank	124518	Nut (8)	73601-7
17. Plunger, Solenoid	121095A	Lockwasher (8)	73604-6
18. Solenoid and Plug Assembly	129423	29. Motor Mounting and Pivot Bracket Assembly	128054
Solenoid	121095	30. Mounting Bracket, Turntable Plate	133462
Plug - 3	130253	31. Bell Crank and Hub Assembly, R.H.	128045
Pin Terminal (2)	132000	32. Mounting Plate and Roller Assembly	128173
19. Retaining Ring	73727-50	Spacer, Cover (2)	134864
20. Washer	124521	Lockwasher (2)	73604-6
21. Washer, Felt	124520	Washer (4)	54024
		33. Cover, Turntable	136421



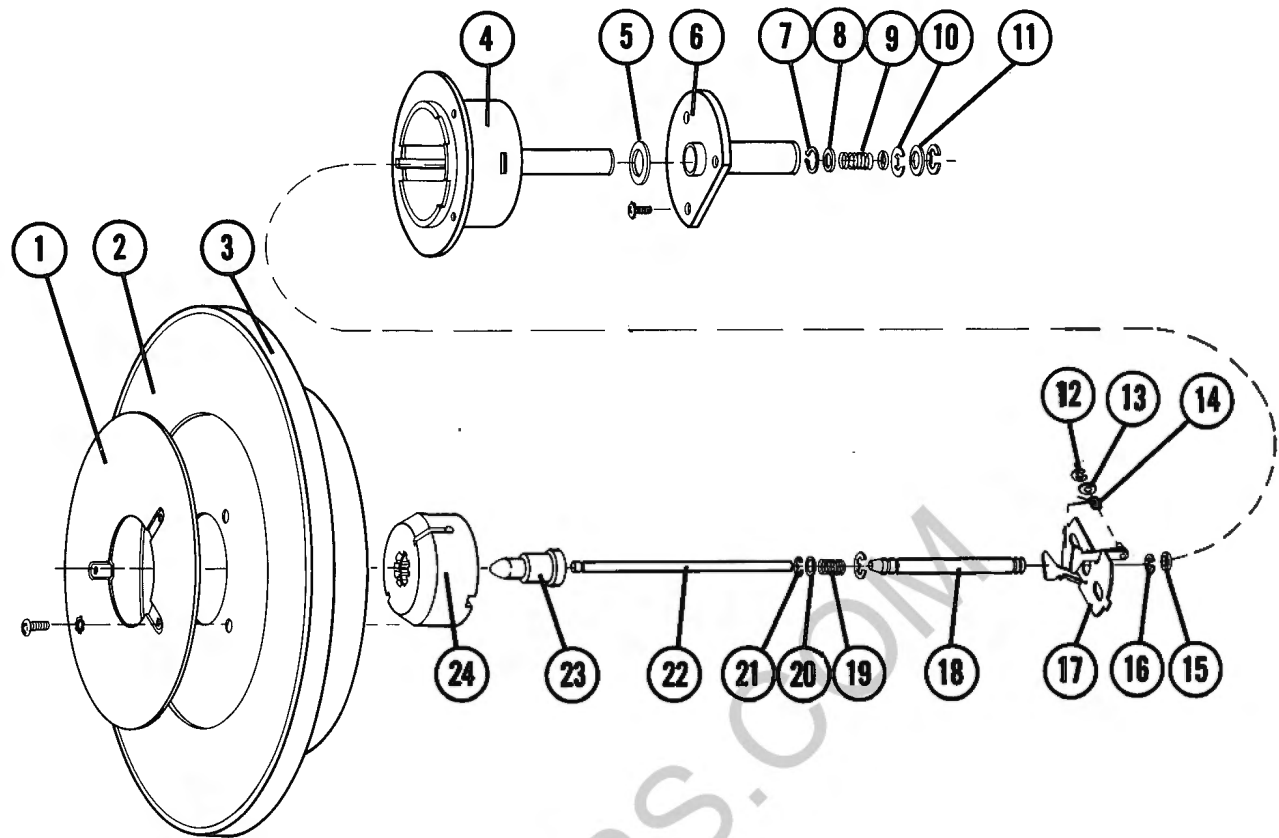
TONE ARM ASSEMBLY ILLUSTRATED PARTS LIST

1. Tone Arm and Pivot Rod Assembly	132850	8. Support Casting and Bushings Assembly	128069
Tone Arm	132844	9. Mounting Bracket, Tone Arm	132928
Balance Bracket and Weld Screw Assembly	133544	10. Spring (3 1/2 oz. at 1 1/8")	59710
Pivot Stud	135836	11. Adjustment Lever and Hub Assembly	133127
Pivot Screw	135835	12. Washer (2)	59864
Sleeve	135262	13. Spring (1 lb. 12 oz. at 15/16")	59615
Bushing (2)	135260	14. Lever and Bushing Assembly	133074
Weight (2)	139695	15. Retaining Ring	73727-50
Nut, 10-32 (2)	73603-8	16. Retaining Ring (3)	73724-25
2. Wire and Plug Assembly	140339	17. Pivot Arm and Pin Assembly	136410
Wire and Clip Assembly	138664	Set Screw, 8/32 x 3/16 Cup (2)	73511-29
Plug (6)	131172	18. Cup Washer	128030
Pin Terminal (3)	132000	19. Spring	128008
Speed Nut (4)	73655-6	20. Cup Washer	124530
Speed Nut	73655-5	21. Gripring (2)	76922-12
3. Mounting Bracket and Stop Nut Assembly	140375	22. Link, Tone Arm Feed-In	139929
Pivot Screw, Tone Arm	135928	23. Retaining Ring (2)	73724-18
4. Adjusting Bracket and Stop Nut Assembly	140379	24. Tube, Tone Arm	140346
Set Screw, 8/32 x 3/16 Cup (2)	73511-29	25. Shaft, Tone Arm	135795
5. Spring (1 lb. 12 oz. at 15/16")	59615	26. Cartridge	138662
6. Washer (2)	128072	Needle, Double Tip Diamond	139008
7. Ball Race, Tone Arm Shaft	128491	Needle, Sapphire	139009



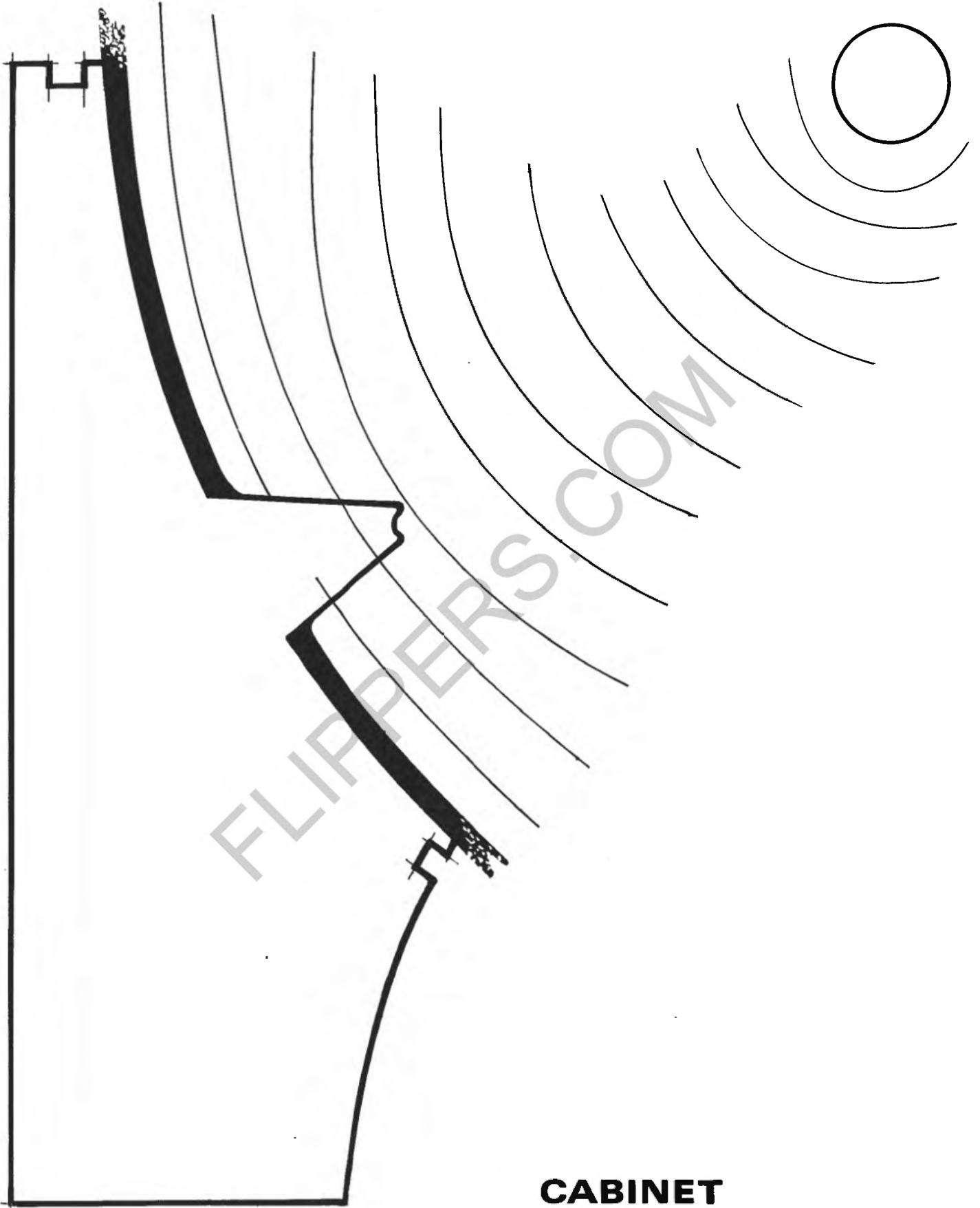
RECORD TAKEOUT ARM ILLUSTRATED PARTS LIST

1. Gripring (4)	76922-12	23. Washer, Pivot Casting	128101
2. Roller, Record Arm (2)	135351	24. Retaining Ring	73727-50
Shaft, Record Arm Roller (2)	135797	25. Gear and Plate Assembly	128587
3. Record Arm Casting	136401	26. Connecting Rod, Bail	128107
4. Bevel Gear, Record Arm	128092	27. Retaining Ring	73724-31
5. Washer, Record Arm	128093	28. Washer	65778
6. Spring Washer	73632-36	29. Spring Washer	73632-115
7. Retaining Ring	73727-56	30. Washer, Record Arm	135792
8. Spacer, Record Takeout Arm	138240	31. Pivot Casting Assembly	135994
9. Mounting Bracket, Record Guide	136441	Sleeve, Pivot Casting	132671
10. Record Guide (2)	136292	32. Gear and Plate Assembly	128585
11. Mounting Bracket and Pin Assembly	136448	33. Retaining Ring	73727-50
12. Magnet Arm Assembly	136445	34. Washer, Pivot Casting	128101
Magnet (2)	136447	35. Bail and Bushing Assembly	128589
13. Spring	136452	Set Screw, 6-32 x 3/16 (2)	73511-19
14. Washer	27787	Screw (Special)	128105
15. Retaining Ring (2)	73724-18	Nut, 5-40 (Small)	128578
16. Gripring (4)	76922-12	36. Holdout Cam	135179
17. Pin, Coupling (2)	136937	Set Screw (2)	73513-29
18. Coupling Connector	136936	37. Pivot Bracket and Bushing Assembly	136408
19. Coupling (Part of Item 31)	128170	38. Mounting Plate and Pin Assembly	133372
Roll Pin	73782-35	39. Spring, Record Clamp	128520
20. Pivot Bracket and Bushing Assembly	136407	40. Record Clamp and Pin Assembly	133434
21. Spring, Record Arm	128533	41. Retaining Ring	73724-18
22. Bail and Bushing Assembly	128590		
Set Screw, 6-32 x 3/16 (2)	73511-19		

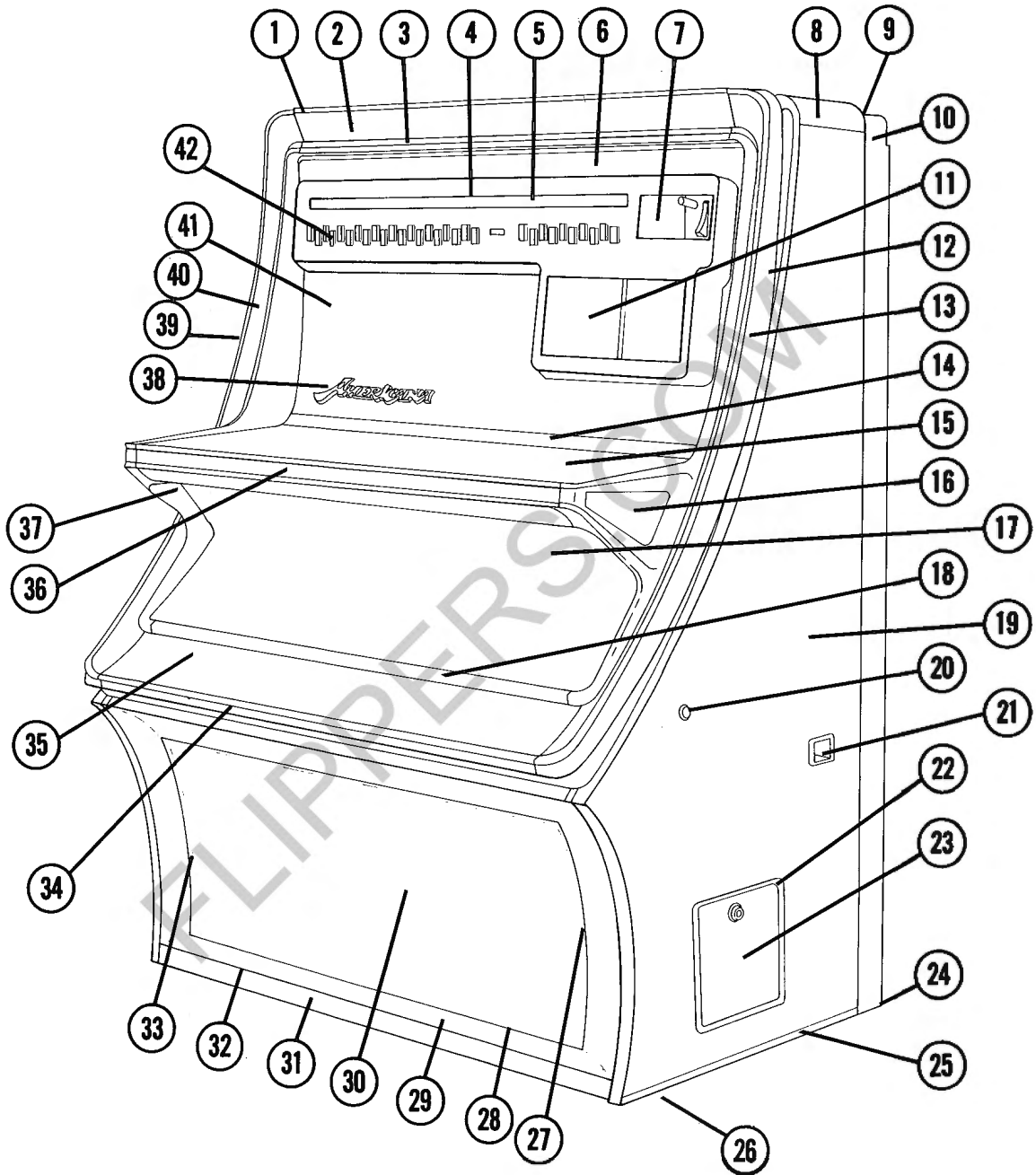


TURNTABLE ASSEMBLY ILLUSTRATED PARTS LIST

1. Ring, Turntable	128022	12. Gripring (2)	76922-12
Screw, 6-32 x 3/8 Truss (3)	76719-68	13. Washer (2)	50494
Lockwasher (3)	73604-5	14. Spring, Pilot Lever (2)	128009
2. Turntable	128038	15. Washer, Felt	124520
3. Pad	128042	16. Retaining Ring (2)	73724-25
4. Pilot Guide and Shaft Assembly, Turntable	136022	17. Mounting Plate Assembly, Clamp Levers	128052
5. Washer	128015	18. Tube, Pilot	128021
6. Support Casting and Bushing Assembly, Turntable	128023	19. Spring, Cam	128008
7. Retaining Ring	73727-43	20. Cup Washer	128030
8. Cup Washer (2)	124530	21. Gripring	76922-12
9. Spring, Pilot	128007	22. Shaft, Cam	135794
10. Retaining Ring (2)	73724-25	23. Cam, Clamp Lever	135048
11. Washer	128004	24. Pilot, Turntable	136025



CABINET

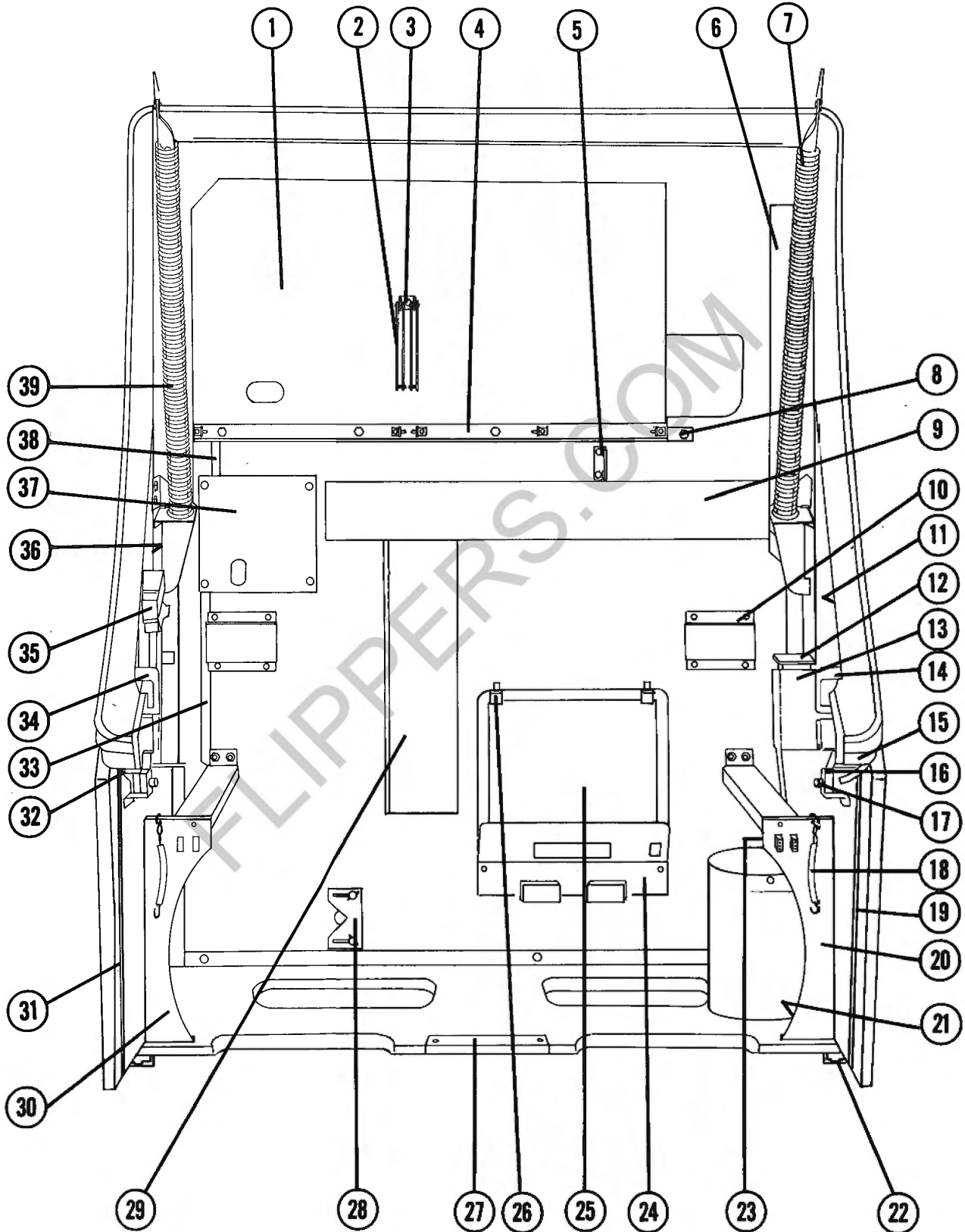


CABINET - EXTERIOR VIEW - ILLUSTRATED PARTS LIST

1. Trim Moulding, Top	141513	19. Side, R.H.	143077
2. Moulding, Top Collar	143115	Side, L.H. (not shown)	143078
3. Extrusion, Upper Door Hinge	139744	20. Lock Assy.	141822
4. Light Diffuser and Silk Screen Assy.	143241	Key, RW 110	136627
Light Diffuser, Selector Panel, R.H.	143117	Washer	139564
Light Diffuser, Selector Panel, L.H.	143118	Lockwasher	73607-16
5. Digital Display Panel (-7 only)	143387	Lockplate, Actuator	138974
Decorative Strip, Selector (all others)	143244	Lockwasher	73677-4
Glass Clamp, Top	140411	Actuator and Pin Assy.	140600
Glass Clamp, Bottom	140112	Spring	140666
6. Casting, Selection Panel 3800	142986	21. Coin Return Cup	140726
Casting, Selection Panel 3860	142987	22. Frame and Lock Plate Assy.	139106
Casting, Selection Panel 3810	142988	23. Cash Box Door Ass.	142012
7. *Coin Denomination Plate		Cash Box Door	138598
Window Blank, Coin Denomination	140261	Washer	139564
Light Diffuser, Coin Denomination	140260	Lock and Key Assembly	139712
Window Clamp	139821	Key Guard	113270
8. Top, Overlay	139720	Catch Plate, Lock	139107
9. Top Plate and Latch Rail Assy.	140506	24. Trim Strip, Back (not shown)	140125
10. Support Bracket and Mounting		25. Trim Strip, R.H.	143261
Bracket, R.H.	143257	Trim Strip, L.H. (not shown)	143262
Support Bracket and Mounting		26. Caster (4)	128870
Bracket, L.H. (not shown)	143258	Mounting Plate, Caster (4)	137645
11. **Instruction Panel		27. Trim Moulding, R.H.	143421
Glass Clamp, Bottom, Selector Panel	140299	28. Trim Moulding, Top and Bottom (2)	143199
Glass Clamp, Sides, Selector Panel (2)	140278	29. Bezel	143038
Light Housing and Cable Assy.		30. Grille Screen	143209
3800-3860	140788	Backing, Grille Screen	143208
Light Housing and Cable Assy. 3810	141360	31. Kick Plate	143196
Bulb (4)	111816	32. Trim Strip, Kick Plate	143195
Socket (4)	132396	33. Trim Moulding, L.H.	143422
Plug, 9	131174	34. Trim, Moulding, Bottom	141514
Pin Terminal (7)	132000	35. Moulding, Bottom	143114
12. Moulding, R.H.	143112	36. Extrusion, Front Door	139868
13. Trim, Moulding, R.H.	143511	37. Side Casting, L.H.	143102
14. Extrusion, Upper Program	139735	38. Name Plate, Americana	143119
15. Glass and Panel Assy., Glass,		Pal Nut (3)	76656-15
Clear Tempered, 35-1/2 x 11		39. Trim, Moulding, L.H.	143511
17/32 x 1/8	140408	40. Moulding, L.H.	143113
Panel, Light Control and Program		41. Upper Grille Screen	143121
3800	143237	Backing, Grille Screen	140804
Panel, Light Control and Program		42. Selector Switch Assy. 3800	142783
3860	143238	Selector Switch Assy. 3860	142784
Panel, Light Control and Program		Selector Switch Assy. 3810	142785
3810	143239		
16. Side Casting, R.H.	143101		
17. Light Diffuser	143122		
Color Shield	143230		
Glass Clamp, Light Diffuser	140418		
Glass Clamp, Lower Front	139805		
18. Extrusion, Lower, Upper Door	139743		

*Refer to Page 9D for illustration and Part Number.

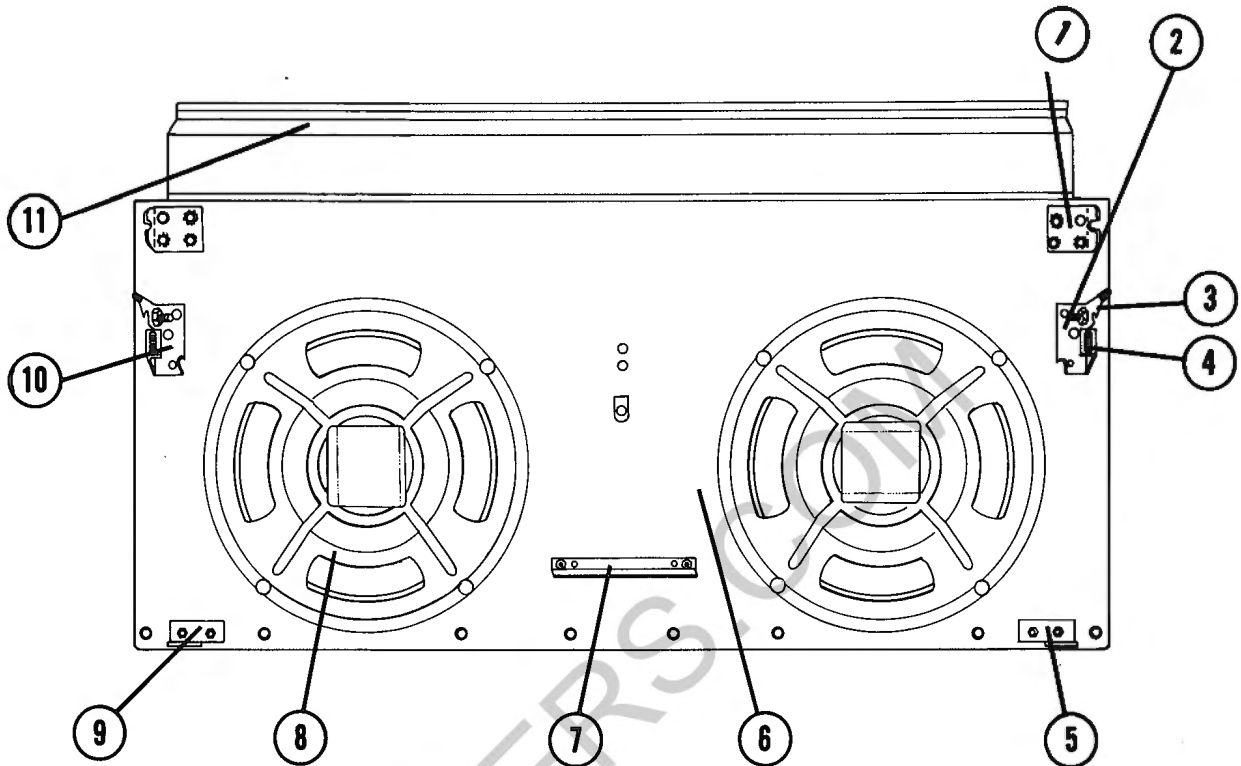
**Refer to Page 8D for illustration and Part Number.



CABINET - INTERIOR VIEW - ILLUSTRATED PARTS LIST

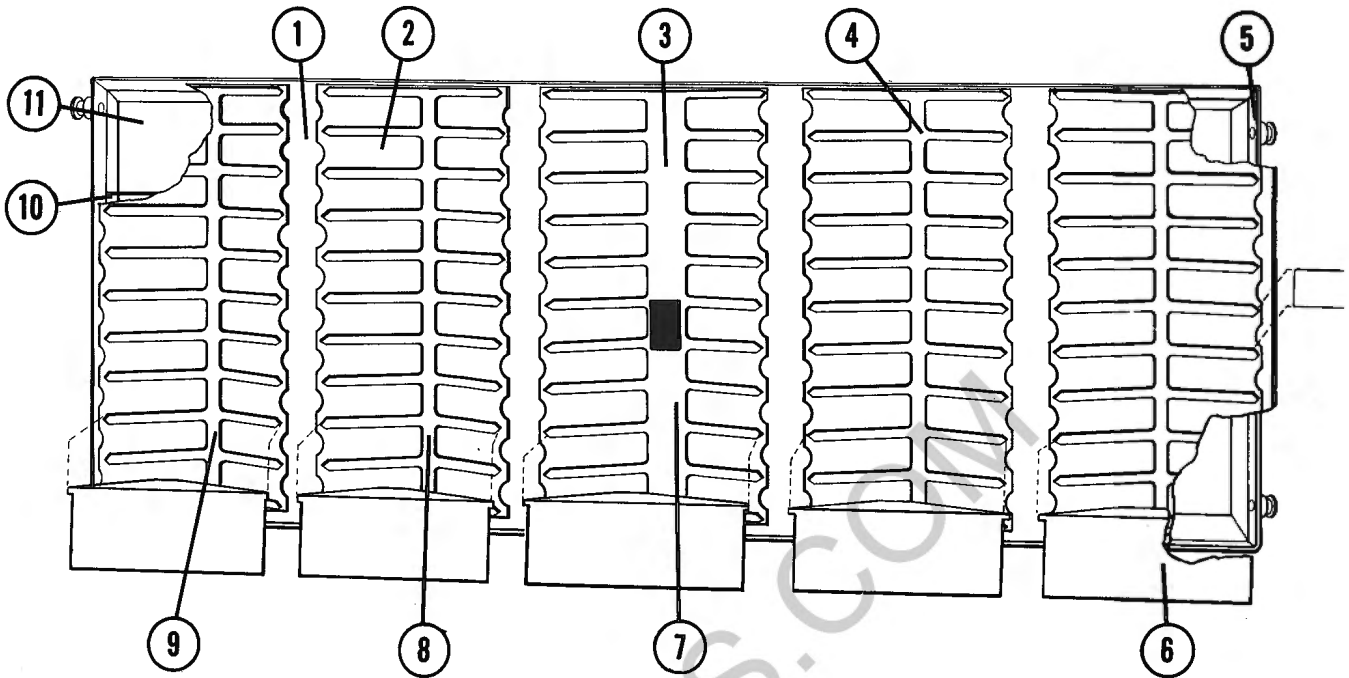
1. Backing Plate Assembly	143278	23. Light Ballast Assembly	139893
2. Link Assembly (2)	140651	Light Ballast, 25W	123950
Shoulder Pin	137257	Light Ballast, 18W	131273
Retaining Ring	73724-18	Socket (2)	117824
3. Mounting Bracket, Fall Support	137256	Contact Terminal (4)	113789
4. Support Rail and Bracket Assembly	136554	24. Accessory Terminal Panel	140921
5. Bracket, Plug Support	138920	Mounting Bracket and Terminal	
6. Channel, Cable Retainer	140655	Assembly	136574
Cover, Channel, Cable Retainer	140656	Cable and Plug Assembly	138507
7. Fall Support Assembly, R.H.	140794	Transformer, Audio Output (2)	140924
8. Bonding Strip (2)	140658	Cable, Terminal and Plug	
9. Channel, Cable Retainer	140653	Assembly (RVC)	140919
Cover, Channel, Cable Retainer	140654	25. Accessory Panel Cover	140249
10. Cover, Back, Hand Hole (2)	140466	26. Catch (2)	136667
Hand Hole Cover Assembly (2)	140465	27. Bracket, Door Scuff	138142
11. Support Bracket Collar, R.H.	140262	28. Cable Retainer	140551
12. Coin Return Chute	136394	Washer (2)	657
13. Coin Bag Housing	143367	Wing Nut, 8-32 (2)	76623-2
14. Mounting Bracket and Latch Plate		29. Channel, Cable Retainer	138790
Assembly, R.H.	140594	Cover, Channel, Cable Retainer	138798
15. Stiffener Bracket, Collar, R.H. (4)	141464	30. Chassis Rail and Gusset Assembly L.H.	143277
16. Mounting Bracket and Weld Nut		31. Light Shield, L.H.	143207
Assembly (2)	143224	32. Stiffener Bracket, Collar, L.H. (4)	141465
17. Thumb Screw (2)	140907	33. Bonding Strip	140660
18. Fall Support Assembly (2)	140818	34. Mounting Bracket and Latch Plate	
Chain	140819	Assembly, L.H.	140595
Tubing	76657-3	35. Scan Switch and Bracket Assembly	140264
"S" Hook (2)	138335	Scan Switch	138513
19. Light Shield, R.H.	143206	Resistor, 4.3K, 1/4W, 5%	77308-255
20. Chassis Rail and Gusset Assembly R.H.	143276	Plug, 12	137233
Receptacle, 3R	134312	Pin Terminal (7)	132000
Contact Terminal (3)	132001	36. Support Bracket, Collar, L.H.	140263
Plug, 3	130253	37. Cover, Bottom, Power Supply	136214
Pin Terminal (2)	132000	38. Bonding Strip, 14	140659
21. Mounting Bracket, Alarm Support	141119	39. Fall Support Assembly, L.H.	140795
22. Support Bracket, R.H.	143254	Pivot Pin (2)	140562
		Washer (4)	52858
		Retaining Ring (2)	73724-37

SECTION D



SERVICE DOOR - REAR VIEW - ILLUSTRATED PARTS LIST

1. Guide Bracket (2)	140599	7. Guide, Lower Door	143247
2. Mounting Bracket and Weld Screw Assembly, L.H.	140387	8. Speaker, 12" Plug, 3R	137054 134311
3. Latch Lever (2) Tip Actuator, Red	138336 120692	Pin Terminal (3)	132000
Eccentric Spacer	136185	9. Pivot Bracket, Lower Door, L.H.	143515
Keps Nut, 1/4-20	74262-13	10. Mounting Bracket and Weld Screw Assembly, R.H.	140386
4. Spring (2)	137250	11. Mounting Plate, Moulding, Lower Service Door	143200
5. Pivot Bracket, Lower Door, L.H.	143516		
6. Baffle Board	143191		

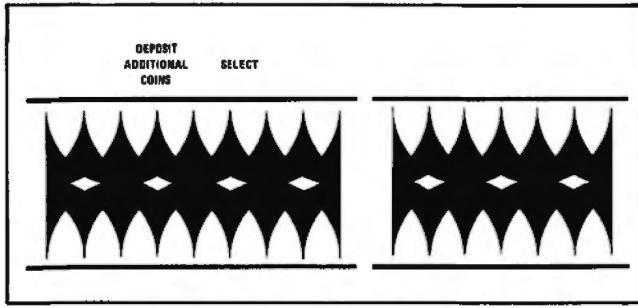


PROGRAM HOLDER - ILLUSTRATED PARTS LIST

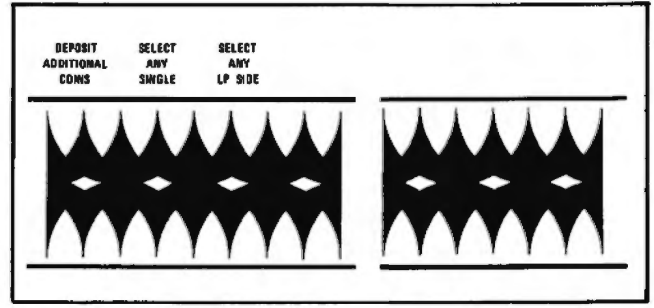
1. Extrusion, A1-C0	3800	125451	3. Program Holder, Center	3800	
Extrusion, B1-G0	3800	125452	Program Holder, Center	3860	140718
Extrusion, F1-L0	3800	125453	Program Holder, Center	3810	140719
Extrusion, K1-Q0	3800	125454	Program Holder, Center	3800	128804
Extrusion, P1-U0	3800	125455	4. Classification Slip	141124 thru	141135
Extrusion, T1-V0	3800	125456	5. Program Holder Frame Assy.	3800	140275
Extrusion, A1-B8	3860	134596	Program Holder Frame Assy.	3860	140276
Extrusion, C1-F8	3860	134597	Program Holder Frame Assy.	3810	140277
Extrusion, G1-K8	3860	134598	6. Insert, Program Holder (4)	3860	
Extrusion, L1-P8	3860	134599	Insert, Program Holder	3810	140721
Extrusion, Q1-T8	3860	134600		3860	
Extrusion, U1-V8	3860	134601		3810	137185
Extrusion, A1-A0	3810	137468	7.*Label, Preset 2 Program	3800-7	141134
Extrusion, B1-C0	3810	137469	Slip Cover, Red Program	3800-7	134924
Extrusion, D1-E0	3810	137470	8.*Label, Preset 1 Program	3800-7	141133
Extrusion, F1-G0	3810	137471	Slip Cover, Blue Program	3800-7	143384
Extrusion, H1-J0	3810	137472	9.*Label, L.P. Program		141129
Extrusion, K1-K0	3810	137473	10. Light Shield	3810	140723
2. Program Holder (4)	3800		11. Light Diffuser	3810	140724
Program Holder	3860	139859			
	3810	140720			

*Refer to Page 10D for location.

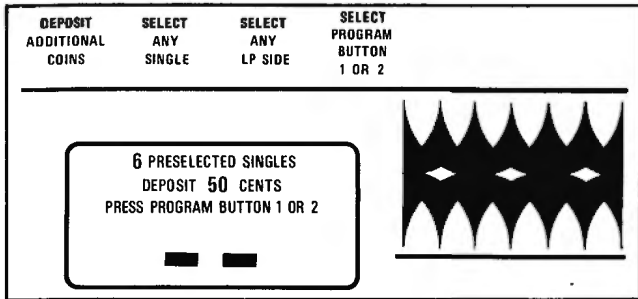
SECTION D



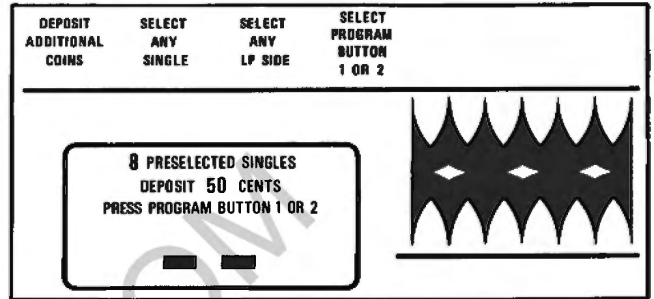
INSTRUCTION PANEL 143364
9 5/16 x 4 5/16 x 1/8



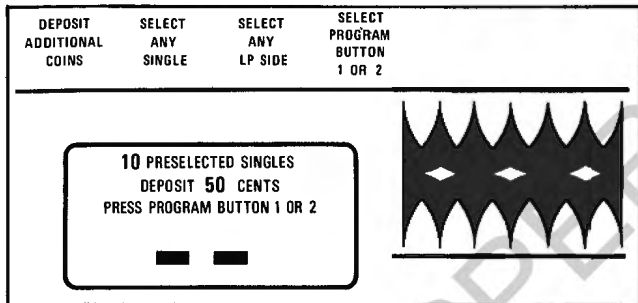
INSTRUCTION PANEL 143365
9 5/16 x 4 5/16 x 1/8



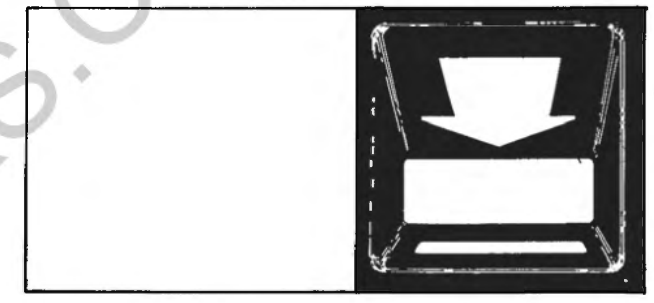
INSTRUCTION PANEL 143375
(6 PRESELECTED SINGLES)



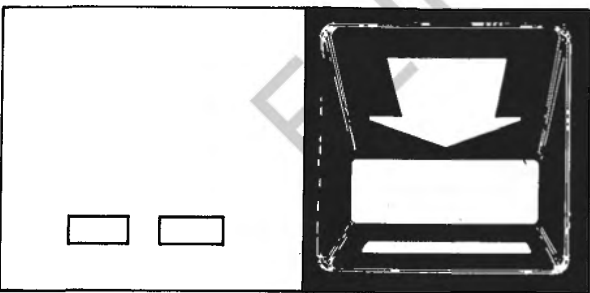
INSTRUCTION PANEL 143376
(8 PRESELECTED SINGLES)



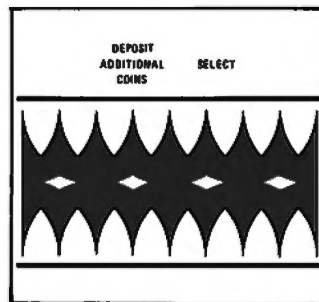
INSTRUCTION PANEL 143377
(10 PRESELECTED SINGLES)



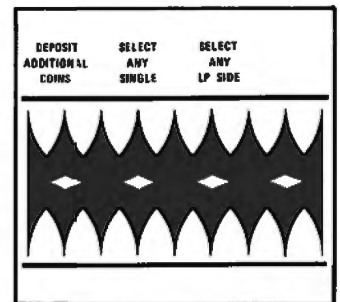
WINDOW BLANK AND DECAL ASSEMBLY 140830



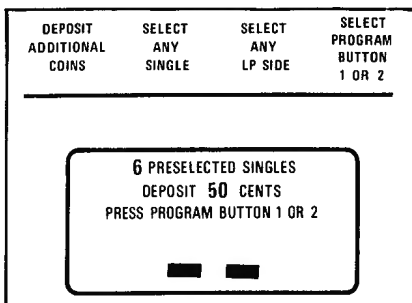
WINDOW BLANK AND DECAL ASSEMBLY 141296



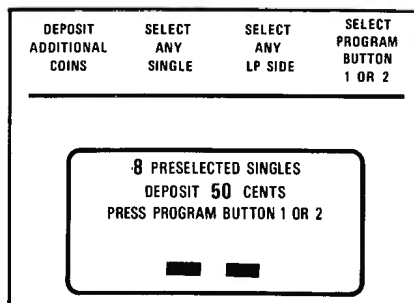
INSTRUCTION PANEL 143391



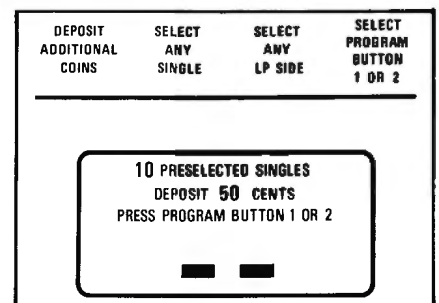
INSTRUCTION PANEL 143392



INSTRUCTION PANEL 143395
(6 PRESELECTED SINGLES)



INSTRUCTION PANEL 143396
(8 PRESELECTED SINGLES)



INSTRUCTION PANEL 143397
(10 PRESELECTED SINGLES)

COIN DENOMINATION PLATE

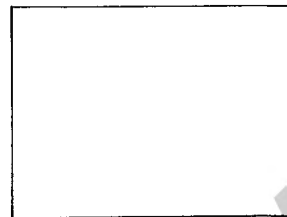
DEPOSIT INSTRUCTIONS	PART NO.	PRICING	SINGLES	PROGRAM CARD	
DEPOSIT MIXED COINS IN ANY SEQUENCE	143279	1.00-75-50-25	14-8-5-2	143339	
	143280	1.00-75-50-25	12-9-6-2	143400	
	143281	1.00-75-50-25	12-8-5-2	142865	
	143282	1.00-75-50-25	11-8-5-2	143401	
	143283	1.00-75-50-25	10-8-5-2	143402	
	143284	1.00-75-50-25	10-7-5-2	143403	
	143285	1.00-75-50-25	10-6-4-2	143404	
	143286	1.00-75-50-25	9-7-3-1	143405	
	143287	1.00-75-50-25	8-6-4-2	143406	
	143288	1.00-75-50-25	4-3-2-1	143407	
	143289	1.00-50-25	4-2-1	143407	
	143290	1.00-50-25	8-4-2	143406	
	143291				
	143292	1.00-75-50-25-15	12-8-5-2-1	143488	
	143293	1.00-75-50-25-10	20-14-9-4-1	143408	
	143294	1.00-75-50-25-10	16-11-7-3-1	143409	
	143295	1.00-75-50-25-10	15-10-6-3-1	143410	
	143296	1.00-75-50-25-10	13-9-6-3-1	143411	
	143297	.50-25-10	7-3-1	143409	
	143298				
	143299				
	143300	50-25-10-5	12-6-2-1	143412	
	143301	50-35-25-10-5	10-7-5-2-1	143413	
	143302	50-25-10-5	10-5-2-1	143413	
	143303	1.00-75-50-25-10-5	20-15-10-5-2-1	143413	
	143304	1.00-75-50-25	15-10-7-3	143489	
	DEPOSIT NICKELS, DIMES OR QUARTERS IN ANY SEQUENCE	143305	1.00-75-50-25-10	16-11-7-3-1	143409
		143306	1.00-75-50-25-10	13-9-6-3-1	143411
		143307			
	DEPOSIT DIME OR 2 NICKELS	143309	DIME-2 NICKELS	3-3	143414
143310					
143311					
DEPOSIT QUARTERS AND HALF DOLLARS	143312	1.00-75-50-25	12-8-5-2	142865	
	143313	1.00-50-25	10-5-2	143403	
	143314				
	143315				
	143316				
DEPOSIT MIXED COINS IN ANY SEQUENCE	143318	1.00-75-50-25	14-8-5-2	143399	
	143319	1.00-75-50-25	12-8-5-2	142865	
	143320	1.00-75-50-25	11-8-5-2	143401	
	143321	1.00-75-50-25	14-9-6-2	143490	
	143322	1.00-75-50-25	10-7-5-2	143403	
	143323	1.00-75-50-25	12-9-6-3	143491	
	143324	1.00-75-50-25	11-7-5-2	143583	
	143325				
	143326	1.00-75-50-25-10	20-14-9-4-1	143408	
	143327	1.00-75-50-25-10	16-11-7-3-1	143409	
	143328	1.00-75-50-25-10	15-10-6-3-1	143410	
	143329	1.00-75-50-25-10	13-9-6-3-1	143411	
	143330	1.00-75-50-25-10	14-11-7-3-1	143584	
	143331				
	DEPOSIT QUARTERS ONLY	143332	1.00-75-50-25	12-8-5-2	142865
143333					

DEPOSIT MIXED COINS IN ANY SEQUENCE	
PRICING	SINGLES
\$1.00	12
.75	8
.50	5
.25	2

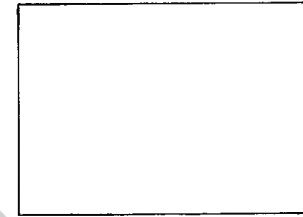
COIN DENOMINATION PLATE 143281 (Typical)

DEPOSIT MIXED COINS IN ANY SEQUENCE		
PRICING	SINGLES	LP SIDES
\$1.00	12	4
.75	8	3
.50	5	2
.25	2	1

COIN DENOMINATION PLATE 143319 (Typical)



WINDOW BLANK - COIN DENOMINATION 140261



LIGHT DIFFUSER - COIN DENOMINATION 140260

L.P. SIDES				
\$1.00	.75	.50	.25	.10
5	3	2	1	
4	3	2	1	
4	3	2	1	
5	3	2	1	
5	3 + 1 SINGLE	2 + 1 SINGLE	1	
4	3	2	1	
5 + 1 SINGLE	3 + 1 SINGLE	2 + 1 SINGLE	1	
6 + 2 SINGLES	4 + 2 SINGLES	3	1 + 1 SINGLE	
5 + 1 SINGLE	3 + 2 SINGLES	2 + 1 SINGLE	1	
5	3 + 1 SINGLE	2	1	
4 + 1 SINGLE	3	2	1	
4 + 2 SINGLES	3 + 2 SINGLES	2 + 1 SINGLES	1	
4	3	2	1	

DEPOSIT INSTRUCTIONS	PART NO	PRICING	SINGLES	PROGRAM CARD
DEPOSIT U.S. \$1 BILL OR MIXED COINS IN ANY SEQUENCE	143334	1.00-75-50-25	12-8-5-2	142865
	143335	1.00-75-50-25	11-8-5-2	143401
	143336			
	143337			
	143338			
	143339	1.00-75-50-25-10	20-14-9-4-1	143408
	143340	1.00-75-50-25-10	16-11-7-3-1	143409
	143341	1.00-75-50-25-10	15-10-6-3-1	143410
	143342	1.00-75-50-25-10	13-9-6-3-1	143411
	143343			
	143344			
	143345			
	143346	1.00-75-50-25	14-8-5-2	143399
	143347	1.00-75-50-25	12-8-5-2	142865
	143348	1.00-75-50-25	11-8-5-2	143401
	143349	1.00-75-50-25	10-7-5-2	143403
	143350			
143351				
143352				
143353	1.00-75-50-25-10	20-14-9-4-1	143408	
143354	1.00-75-50-25-10	16-11-7-3-1	143409	
143355	1.00-75-50-25-10	15-10-6-3-1	143410	
143356	1.00-75-50-25-10	13-9-6-3-1	143411	
143357				
143358				
143359				
143360				

DEPOSIT U.S. \$1 BILL OR MIXED COINS IN ANY SEQUENCE	
PRICING	SINGLES
\$1.00	12
.75	8
.50	5
.25	2

COIN DENOMINATION PLATE - DOLLAR ACCEPTER 143334 (Typical)

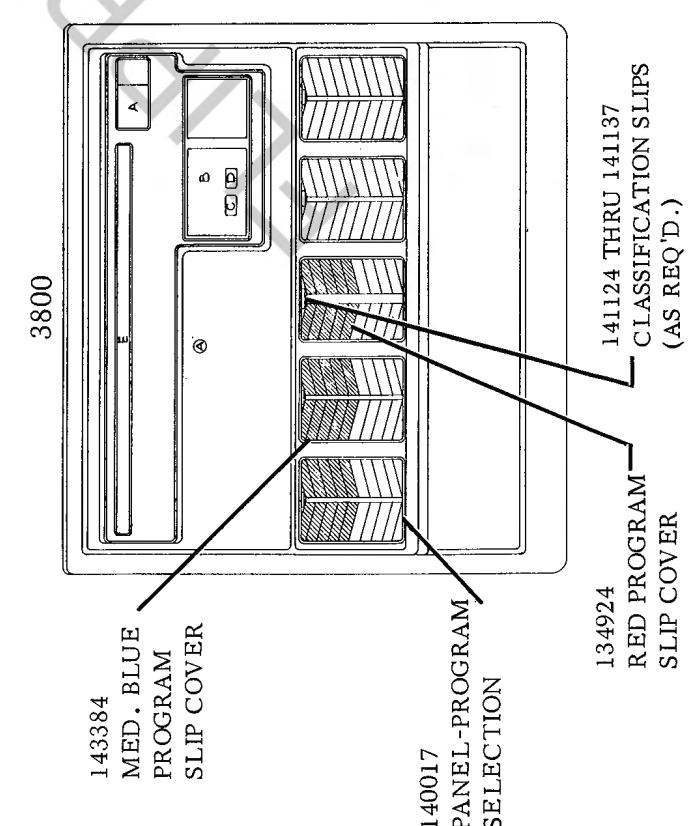
DEPOSIT U.S. \$1 BILL OR MIXED COINS IN ANY SEQUENCE		
PRICING	SINGLES	LP SIDES
\$1.00	12	4
.75	8	3
.50	5	2
.25	2	1

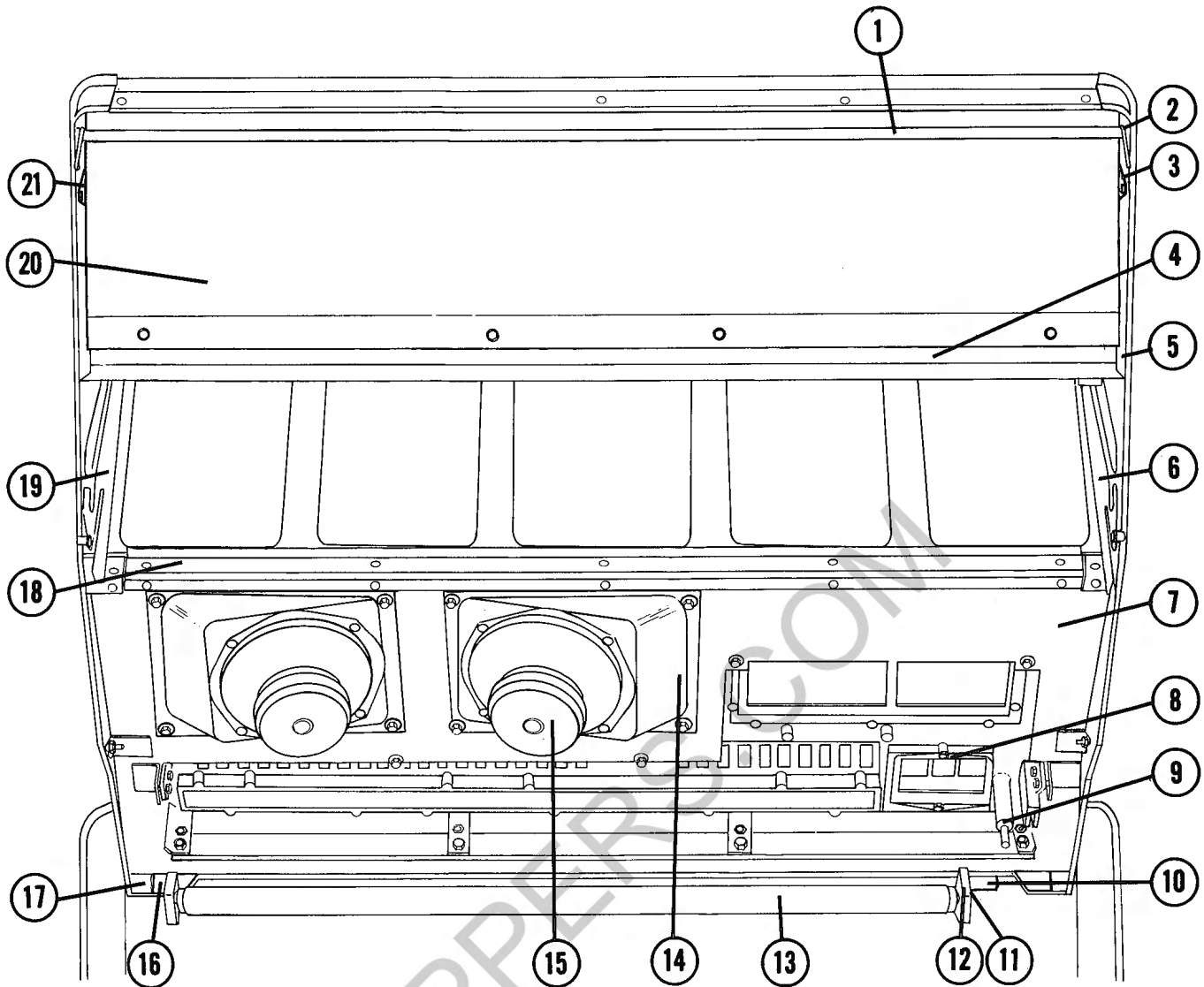
COIN DENOMINATION PLATE - DOLLAR ACCEPTER 143347 (Typical)

L.P. SIDES				
\$1.00	.75	.50	.25	.10
5	3	2	1	
4	3	2	1	
4	3	2	1	
5	3 + 1 SINGLE	2 + 1 SINGLE	1	
6 + 2 SINGLES	4 + 2 SINGLES	3	1 + 1 SINGLE	
5 + 1 SINGLE	3 + 2 SINGLES	2 + 1 SINGLE	1	
5	3 + 1 SINGLE	2	1	
4 + 1 SINGLE	3	2	1	

NOMENCLATURE LAYOUT - MODEL 3800 SERIES - TYPICAL

MODEL DESCRIPTION	MODEL	A	B	C	D	E
200 SELECTION - STANDARD	3800-1	143281	143364			143244
200 SELECTION - STD. & DOLLAR ACCEPTER	3800-1A	143334	143391			143244
200 SELECTION - STD., DOLLAR ACCEPTER & DIGITAL DISPLAY	3800-1AD	143334	143391			143387
200 SELECTION - STD. & DIGITAL DISPLAY	3800-1D	143281	143364			143387
200 SELECTION - STD. & L.P.	3800-4	143319	143365			143244
200 SELECTION - STD., L.P. & DOLLAR ACCEPTER	3800-4A	143347	143392			143244
200 SELECTION - STD., L.P., DOLLAR ACCEPTER & DIGITAL DISPLAY	3800-4AD	143347	143392			143387
200 SELECTION - STD., L.P. & DIGITAL DISPLAY	3800-4D	143319	143365			143387
200 SELECTION - DIGITAL DISPLAY, L.P. & PRESET PROGRAM	3800-7	143319	143375	143379	143380	143387
200 SELECTION - DIGITAL DISPLAY, L.P., PRESET PROGRAM & DOLLAR ACCEPTER	3800-7A	143347	143395	143379	143380	143387
160 SELECTION - STD. & L.P.	3860-4	143319	143365			143244
160 SELECTION - STD. & L.P. DOLLAR ACCEPTER	3860-4A	143347	143392			143244
100 SELECTION - STANDARD	3810-1	143281	143364			143244
100 SELECTION - STD. & L.P.	3810-4	143319	143365			143244
100 SELECTION - STD. & L.P. DOLLAR ACCEPTER	3810-4A	143347	143392			143244





UPPER DOOR - INTERIOR VIEW - ILLUSTRATED PARTS LIST

1. Latch and Shaft Assembly	140450	11. Light Bracket, Upper, R.H.	140354
2. Spring, Door Latch	138536	12. Socket, Lamp (2)	122743
3. Clamp, Lower, R.H.	143232	Plug	117823
4. Stiffener and Light Bracket Assembly	143631	Contact	113789
Socket, Lamp (2)	122743	13. Fluorescent Lamp, 18W, 30"	139899
5. Light Bracket (Starter mounting)	139353	14. Mounting Bracket and Weld Screw Assembly (2)	140647
Starter, 25W	57365	15. Speaker, 6" (2)	136665
Socket, Starter	53674	Receptacle, 3R	134312
Insulator, Starter	50657	Contact Terminal (3)	132001
6. Slide and Stop Bracket Assembly, R.H.	141291	Capacitor, 8 MFD (Non-polarized) (2)	77375
7. Upper Screen Support and Mounting Bracket Assembly	140285	16. Light Bracket, Upper, L.H.	140353
8. Window Clamp	139821	17. Hinge and Trim Strip Assembly	141380
9. Reject Button and Tip Assembly	140700	18. Glass Clamp, Door Glass	139749
Spring	140901	Glass Clamp, Door Glass (not shown)	139805
Washer	65778	19. Slide and Stop Bracket Assembly, L.H.	141292
Rubber Washer	132560	20. Backing Plate	140059
Retaining Ring	73724-31	21. Clamp, Lower, L.H.	143233
10. Starter, 25W	57365		
Socket, Starter	53674		
Insulator, Starter	50657		