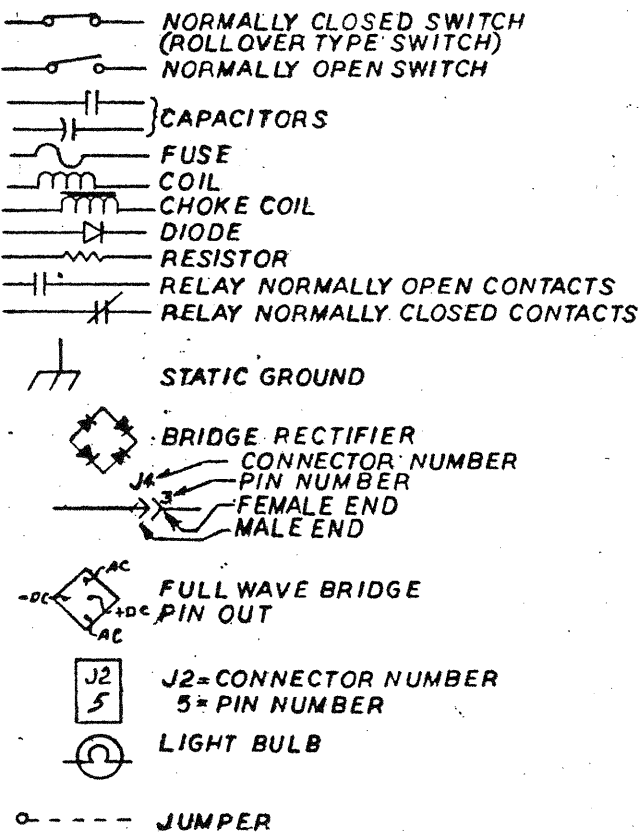
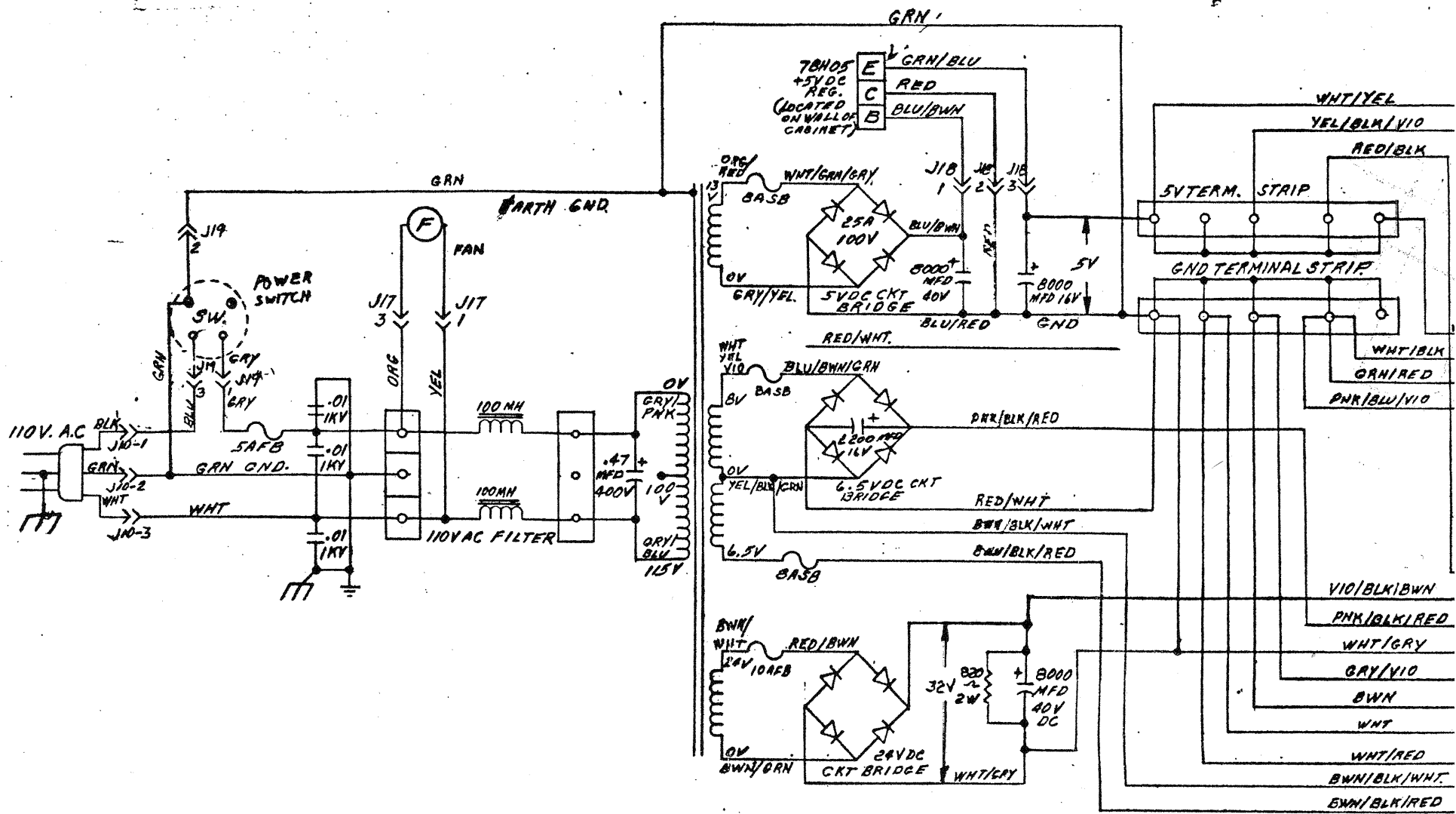


POWER SUPPLY.



WORD ABBREVIATIONS

- MNL = MATE AND LOCK
- MFD = MICROFARAD
- REG = REGULATOR
- AFB = AMP FAST BLOW
- ASB = AMP SLOW BLOW
- WVDC = WORKING VOLTS DC
- MH = MILLIHENRY FOR COILS
- Ω = OHMS
- W = WATTS
- LT = LIGHT
- SW = SWITCH
- PCB = PRINTED CIRCUIT BOARD
- N/O = NORMALLY OPEN
- PT = POINTS
- F = FEMALE CONNECTOR
- M = MALE CONNECTOR
- THUMPER B = THUMPER BUMPER

COLOR ABBREVIATIONS

- WHT = WHITE
- BLK = BLACK
- BLU = BLUE
- ORG = ORANGE
- GRN = GREEN
- BWN = BROWN
- GRY = GRAY
- PNK = PINK
- YEL = YELLOW
- VIO = VIOLET

EXAMPLES:

PNK/BLU/VIO = PINK BLUE & VIOLET

HARNESS CONNECTORS

- J1 MAIN PCB 50 PIN DOUBLE EDGE CONNETOR
- J2 " " 50 " " " "
- J3 " " 50 " " " "
- J4 " " 15 " MALE MNL RED "
- J5 " " 15 " " " WHT "
- J6 " " 15 " " " GRN "
- J7 CHIME UNIT 6 " " " RED "
- J8 TILT ASSY. 12 " " " RED "
- J9 POWER SUR 12 " " " WHT "
- J10 POW. LINE 3 " " " RED "
- J11 POW. SUP. 6 " " " GRN "
- J12 COIN DOOR 12 " " " WHT "
- J13 CREDIT & FLIPPER BUTTONS 12 PIN MNL ORG CONNEC

SCORE ASS'Y HARNESS CONNECTORS

- J14 SCORE 2 15 PIN MALE MNL RED CONNECTOR
- J15 SCORE 1 15 " " " WHT "
- J16 CREDIT DISR 6 " " " ORG "
- J17 FAN 3 " " " WHT "
- J18 5V REG. 3 " " " GRN "
- J19 ON OFF SW 3 " " " BLK "
- J20 TILT & GAME OVER LIGHTS 3PIN MALE & FEM. MNL BLU CC
- J21 6 PIN FEMALE WHITE CONNECTION COIN COUNT
- DIAGNOSTIC TEST SW.

96.