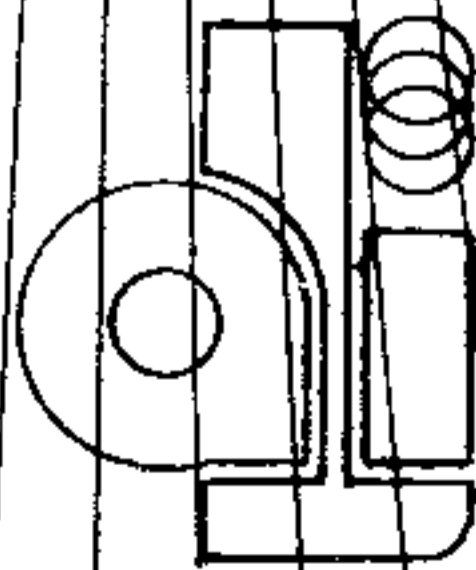
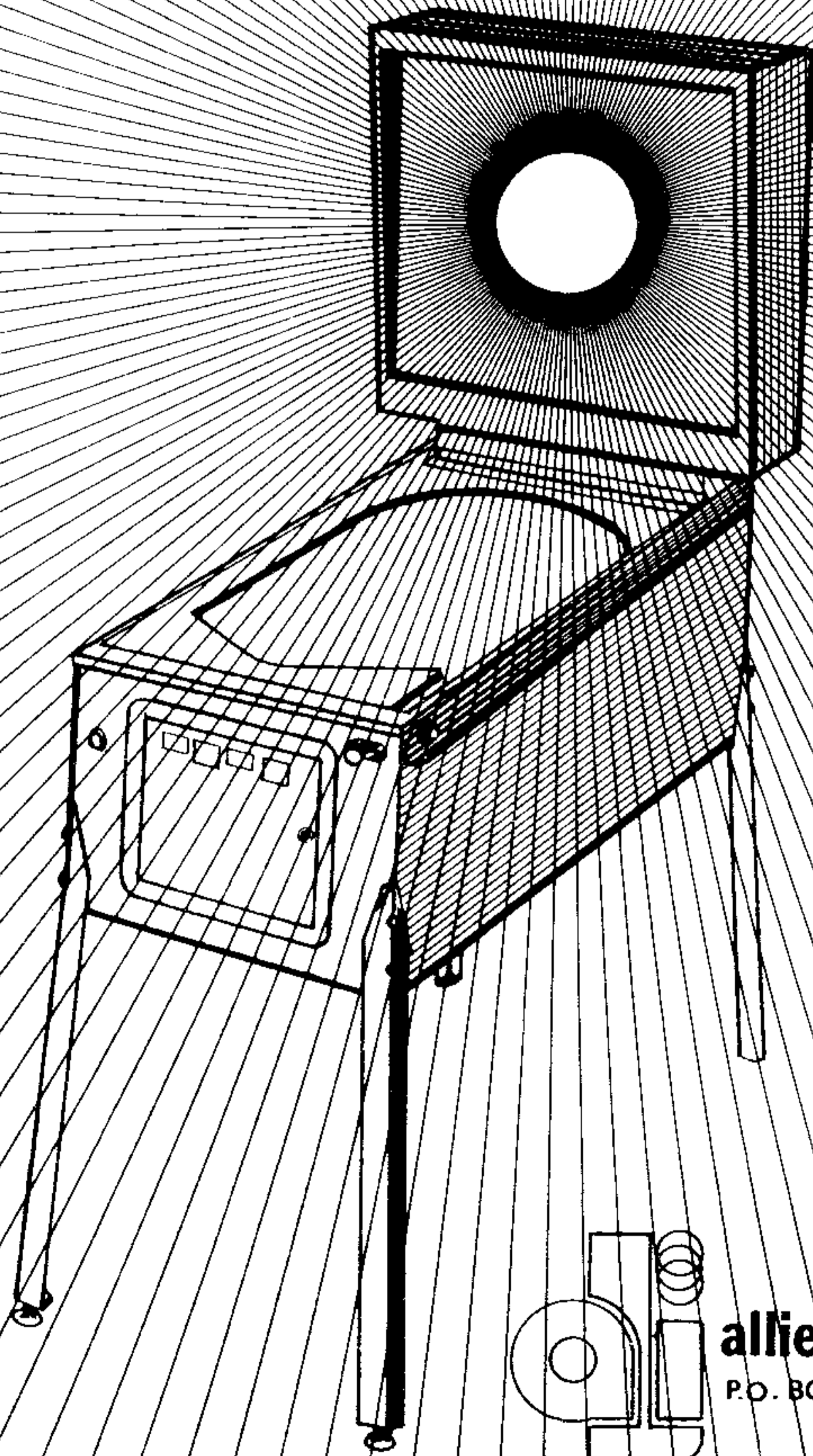


# ALLIED'S PIN BALL STANDARD PARTS CATALOG

PRICE \$2.00



**allied leisure industries, inc.**

P.O. BOX 4326 . HIALEAH, FLORIDA 33114



TABLE OF CONTENTS

APRIL - 1976

INSTRUCTION CARDS	<u>PAGE A</u>	LAMPS & SOCKETS	<u>PAGE R</u>
FRONT GLASSES			<u>PAGE S</u>
PRICE CARDS		FUSE HOLDER	
P. C. BOARDS		COILS	
		SLEEVES	
PLAYFIELD ASS'Y. TOP 264-1-5	<u>PAGE B</u>	PLUNGERS FUSES	
COIN DOOR (2) ACCEPTOR	<u>PAGE C</u>	COUNTER	<u>PAGE T</u>
		TRANSFORMER	
FLIPPER ASS'Y. LH & RH	<u>PAGE D</u>	RELAY WITH DIODE	
FLIPPER ASS'Y. LH & RH	<u>PAGE DD</u>	LINE FILTER	
		AC RECEPTACLE	
THUMPER - BUMPER ASS'Y.	<u>PAGE E</u>	DIODES	
		ON - OFF SWITCH	
BALL KICKER ASS'Y.	<u>PAGE F</u>		
		GUIDE RAIL COVER	<u>PAGE U</u>
REBOUND KICKER ASS'Y.	<u>PAGE G</u>	BALL GUIDE RAIL	
		COVER BALL-UP ASS'Y.	
CHIME ASS'Y. #2	<u>PAGE H</u>	LOCKS	
		PLAYFIELD GLASS	
DROP TARGET ASS'Y. #1	<u>PAGE I</u>	SCORE GLASS	
GATE ASS'Y.	<u>PAGE J</u>	BALL-UP GUIDE RAIL #1	<u>PAGE V</u>
		SERVICE SUPPORT BAR	
BULLS - EYE SCORE TARGET	<u>PAGE K</u>	COIN CHUTE ASSY.	
BALL PLUNGER ASS'Y.			
KNOCKER ASS'Y.	<u>PAGE L</u>	PLAYFIELD SUPPORT BRACKET	<u>PAGE W</u>
FLIPPER SWITCH ASS'Y.		BALL-UP HOLD-DOWN COVER BRKT.	
		PLAYFIELD BRKT. (FRONT LOCK)	
TOP GLASS HOLD-DOWN ASS'Y.	<u>PAGE M</u>	PLAYFIELD BRKT. (FRONT GUIDE)	
FRONT GLASS LOCK ASS'Y.		PLAYFIELD SP'T. BRKT. R & L	
		BALL-UP GUIDE RAIL #2	
ROLL OVER SWITCHES	<u>PAGE N</u>		
CREDIT SWITCH ASS'Y.			
ROLL TILT ASS'Y.	<u>PAGE O</u>	DIODE, CAPACITOR ASS'Y.	<u>PAGE X</u>
LEG - CABINET		FULL WAVE RECTIFIER	
SCORE GLASS EXTRUSION		POWER SUPPLY FILTER	
		RECTIFIER BRIDGE	
		POWER OFF REF. CK'T.	
		CR'T. DISPLAY CIRCUIT	
		TARGET PULL UP SEQUENCER CR'T.	
REBOUND BUMPER ASS'Y.	<u>PAGE P</u>		
BUMPER ASS'Y.			
SPRING (ALTERNATE)			
BALL GUIDE WEAR PLATE		REGULATOR	
COVER, BALL PLUNGER		POWER TRANSISTOR SOCKET	<u>PAGE Y</u>
		FULL WAVE RECTIFIER	
		BRIDGE RECTIFIER	
		HEAT SINKS	
CASH BOX & LID	<u>PAGE Q</u>		
PLAYFIELD BUMPER			
NAIL PIN			
#6 x 1½ PH/WS			
POST SCREW			

INSTRUCTION CARDS

DYNAMITE 264-6-30

TNT 288-6-2  
& BOOGIE

FRONT GLASSES

DYNAMITE 264-6-1

TNT 288-6-1  
& BOOGIE

PRICE CARDS

DYNAMITE 264-6-29

TNT 288-6-2  
& BOOGIE

P.C. BOARDS

CREDIT BOARD ASSY 264-1-56

PLAYER UP BOARD ASSY 264-1-62

MODE SEQUENCER BOARD ASSY 264-1-54

CREDIT DISPLAY ASSY 264-1-55

BONUS DRAIN ASSY 264-1-59

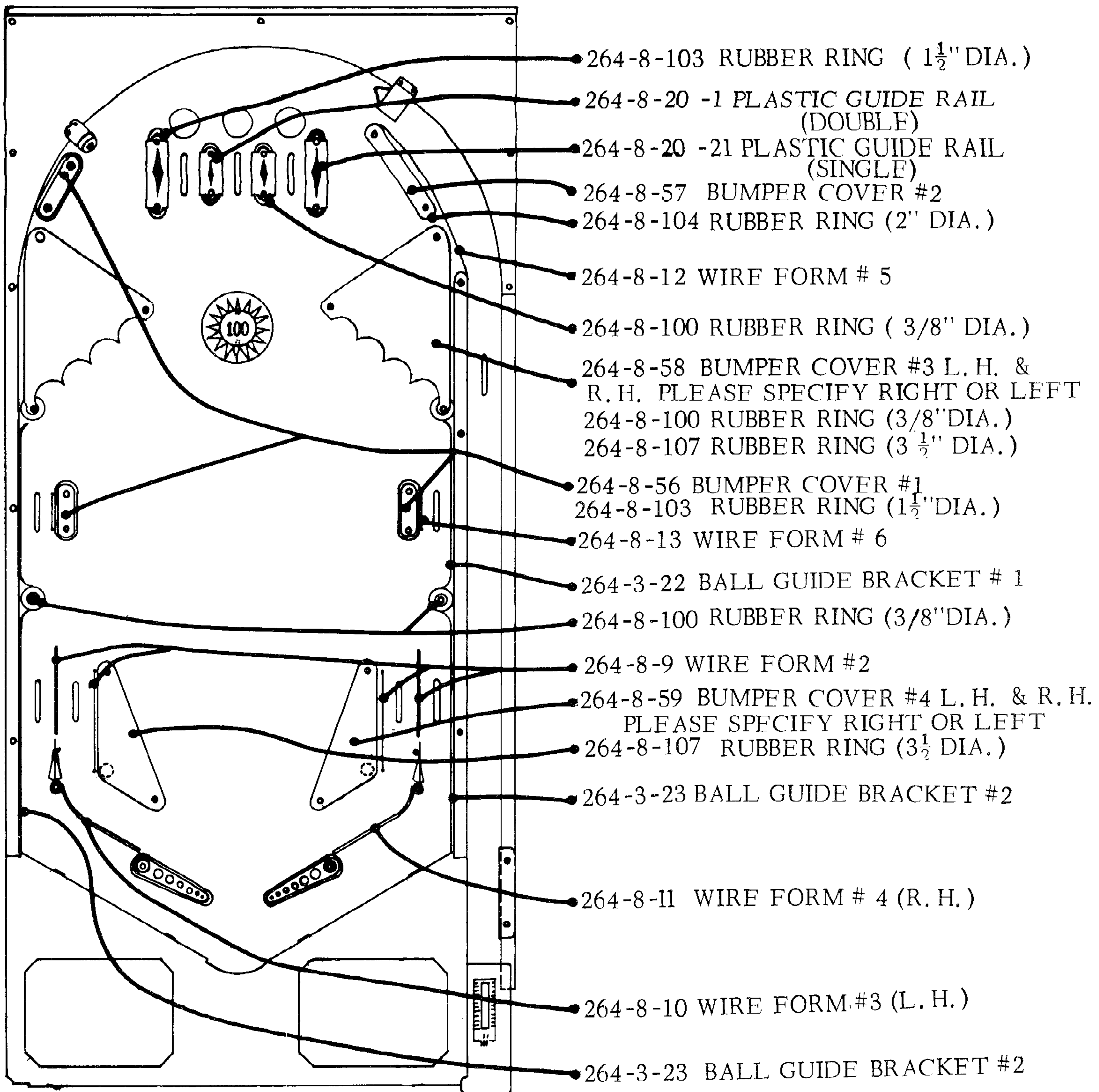
LINE - EM - UP BOARD ASSY 264-1-57

SCORE UNIT BOARD ASSY 264-1-60

RELAY DRIVER BOARD ASSY 264-1-52

LAMP DRIVER BOARD ASSY 264-1-53

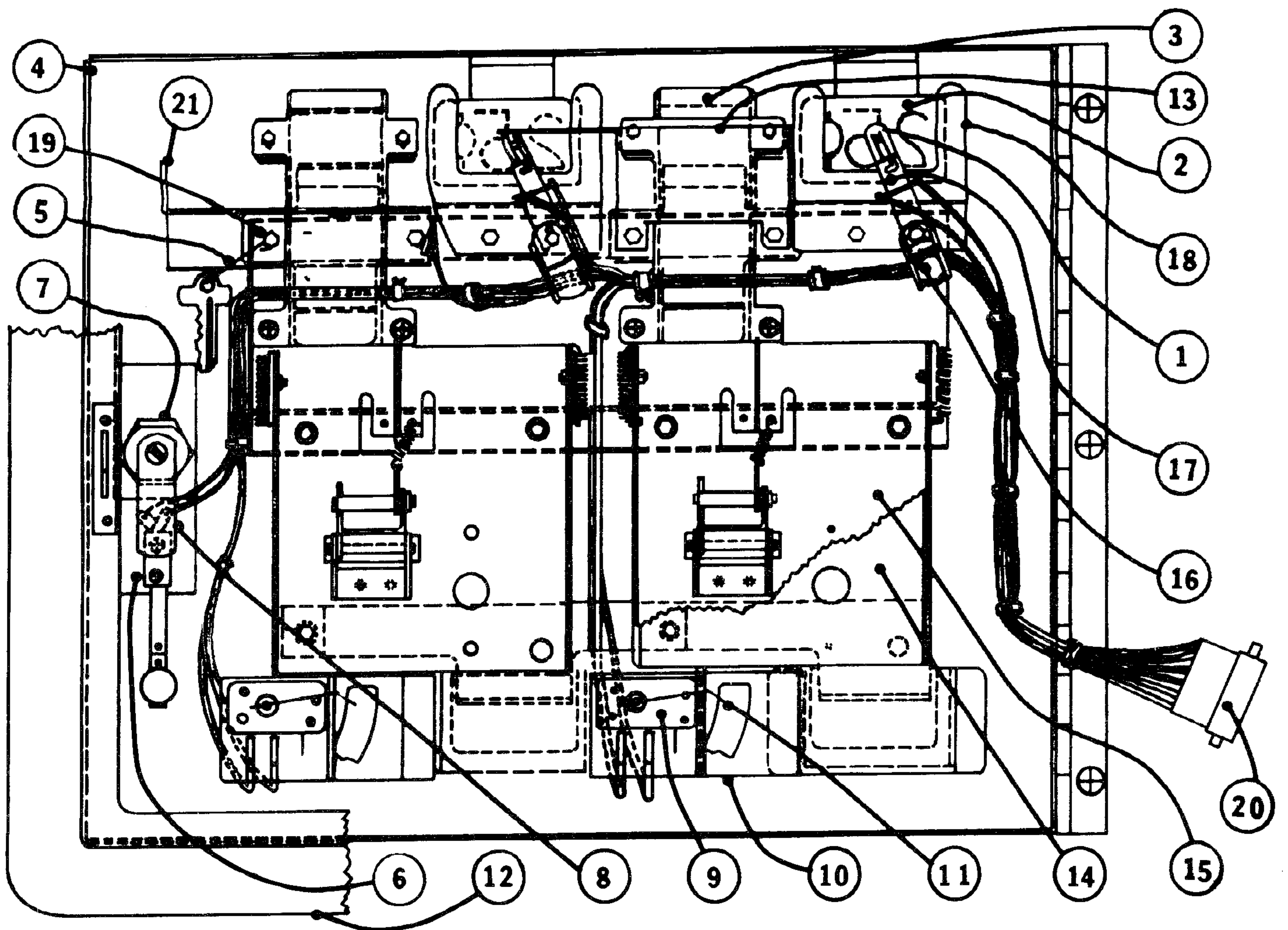
PLAYFIELD LOGIC BOARD ASSY 264-1-63 (DYNAMITE, TNT, & BOOGIE)



DYNAMITE - 2 PLAYER  
 TNT - 4 PLAYER  
 BOOGIE - 4 PLAYER

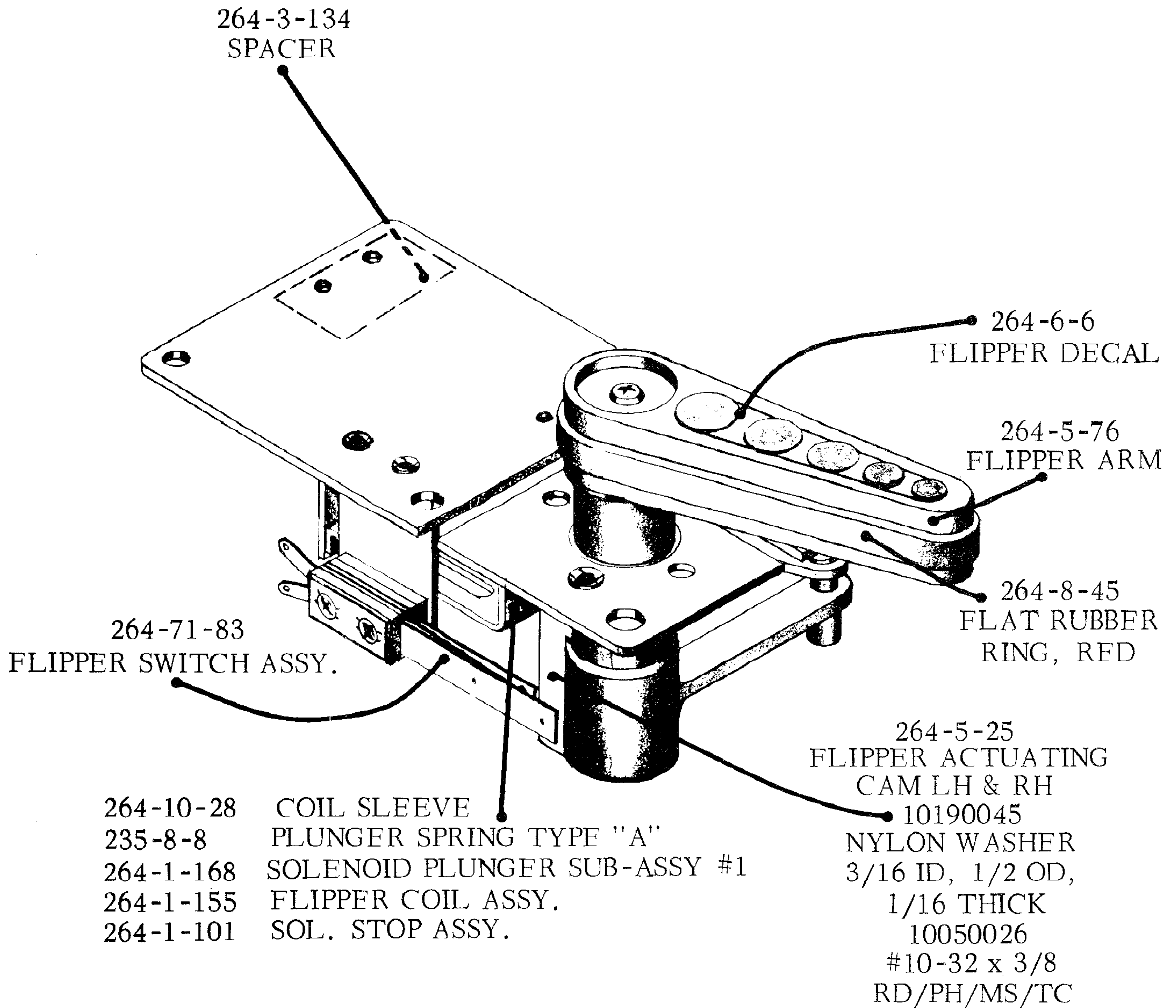
PLAYFIELD ASS'Y. TOP 264-1-5



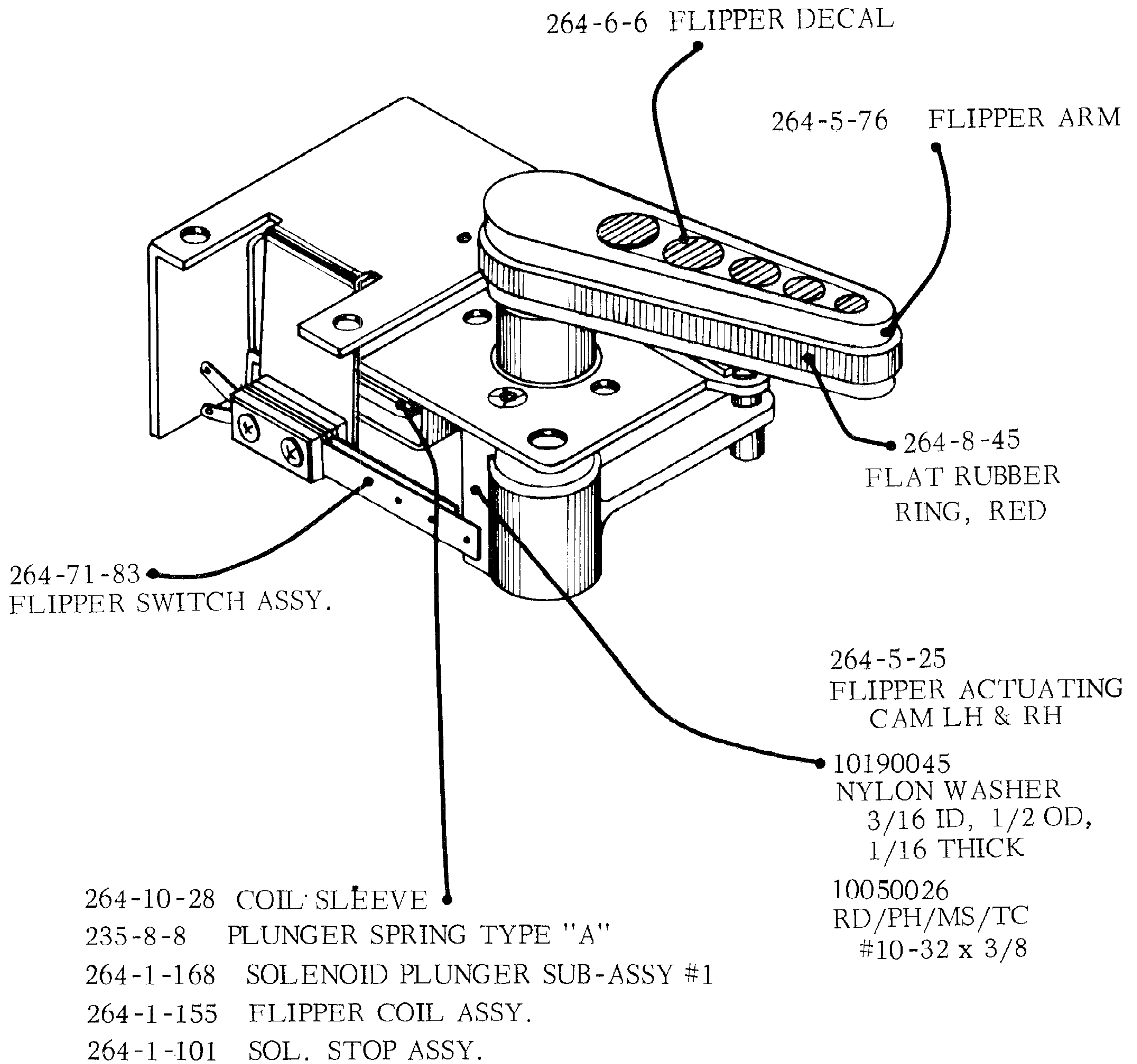


1	50180004	DISPLAY LAMP #44
2	235-6-21	COIN PRICE PL. 25¢
3	235-1-505	COIN CHUTE ASSY.
4	264-1-92	COIN DOOR SUB.ASSY. WELD'MT.
5	235-8-30	SPRING CLIP KEY
6	264-1-93	SLAM SWITCH BRK'T. ASSY.
7	235-8-45	2 KEY LOCK
8	235-3-154	LOCK TONGUE
9	50130003	COIN MICRO SWITCH
19	235-3-37	SWITCH MOUNT PLATE
10	235-8-29	COIN SWITCH WIRE
11	264-1-94	COIN DOOR #2 COMPLETE W/ASSY.
12	235-3-528	LATCH LOCK-CASH DOOR
13	235-8-516	COIN ACCEPTOR AMERICAN 25¢
14	235-1-543	COIN ACCEPTOR BRK'T. W/COIN REFLECTOR
15	50270017	1/4 NYLON WIRE CLAMP
16	50190004	LAMP SOCKET
17	235-3-509	COIN PRICE BRACKET
18	10020004	8-32 x 1/4 WHIZ LOCK SCREW
19	264-1-115	COIN DOOR HARNESS
20	235-6-22	COIN PRICE PLATE 2/25¢ (EXTRA)
21	264-3-135	BRACKET INTERLOCK TOP GLASS HOLD DOWN

COIN DOOR (2) ACCEPTOR ASSY. 264-1-88

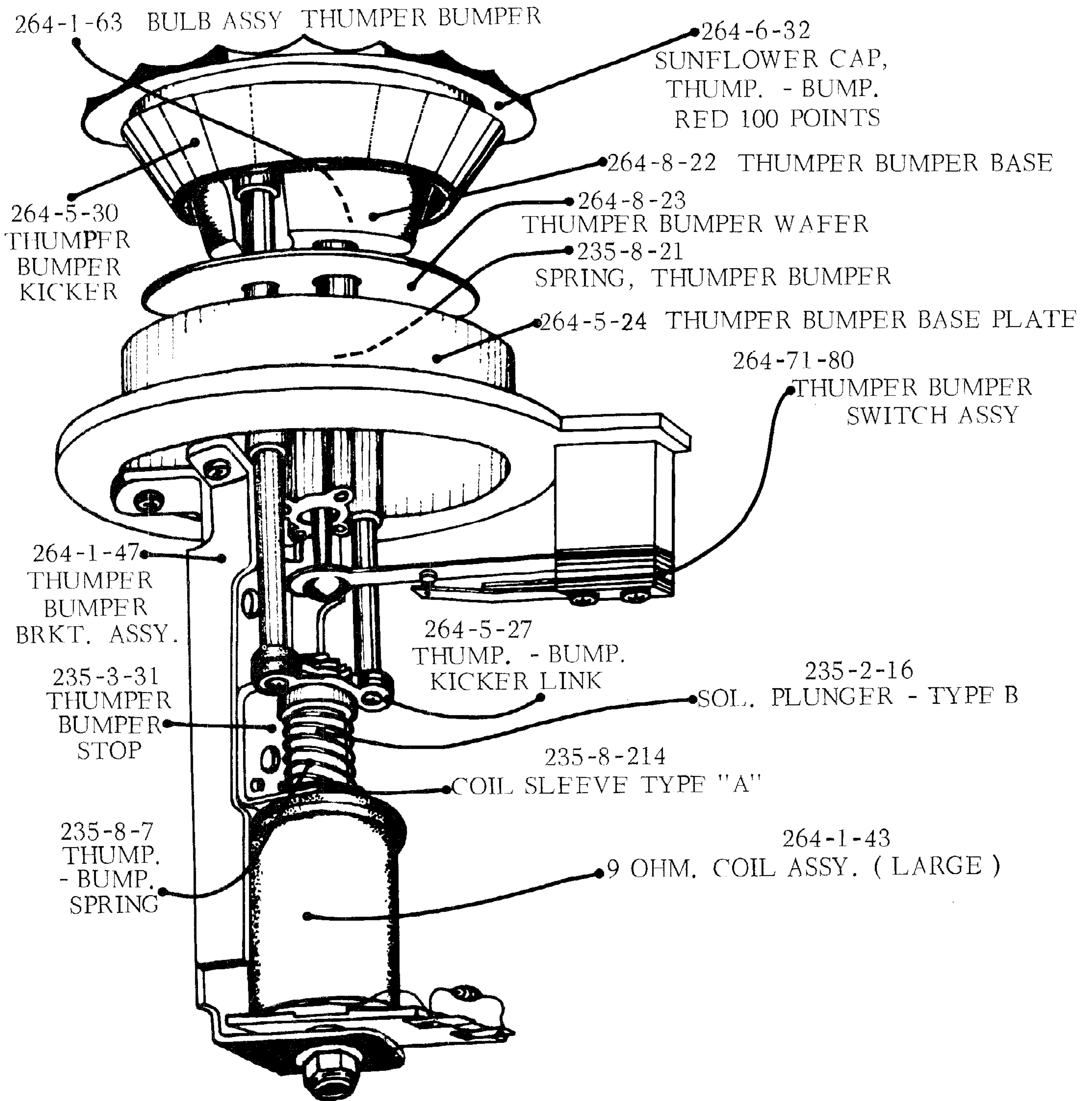


FLIPPER ASS'Y. LH & RH 264-1-7



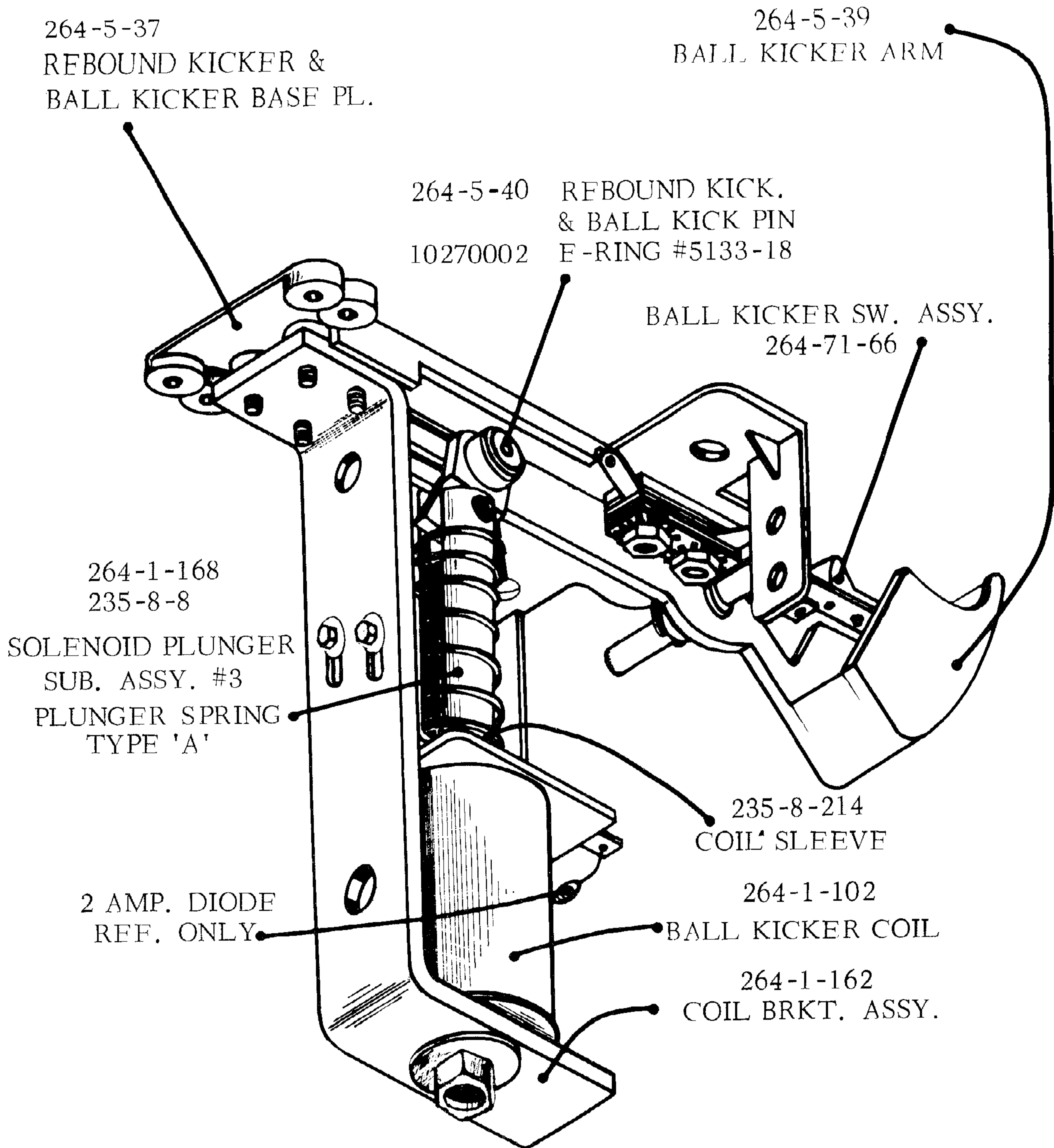
FLIPPER ASS'Y. LH & RH 264-1-7



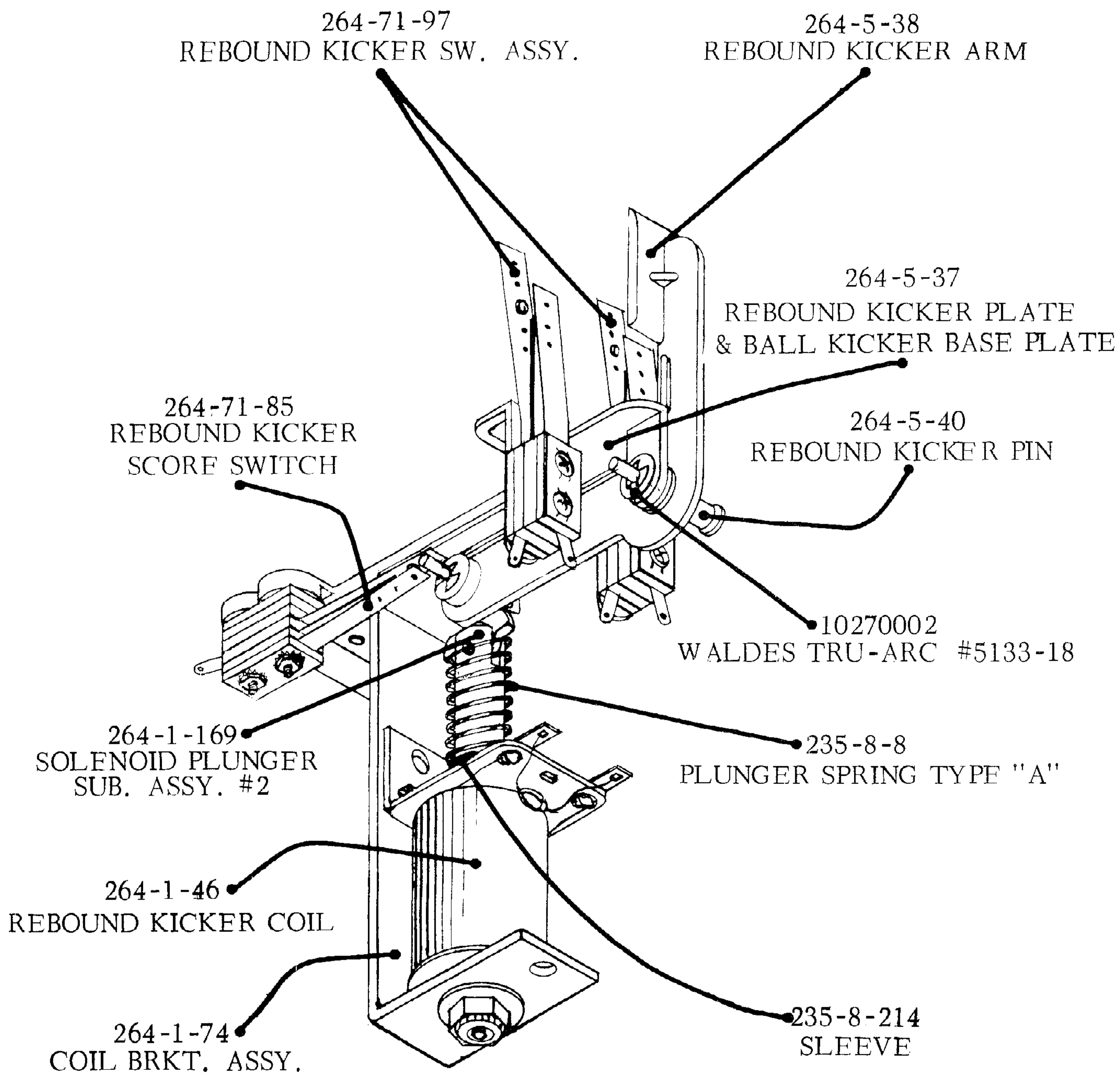


THUMPER - BUMPER ASS'Y. 264-1-9

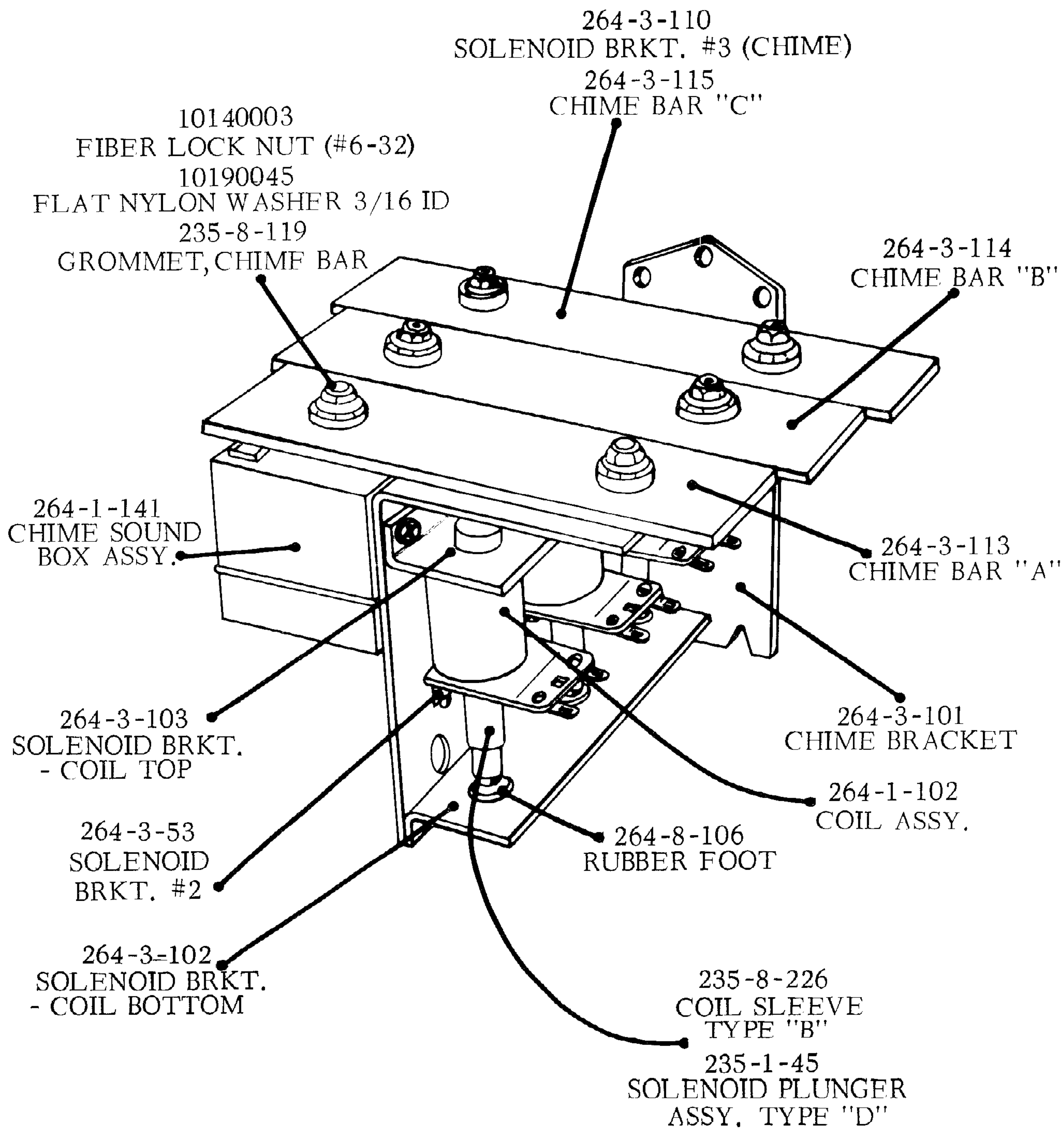




BALL KICKER ASS'Y. 264-1-11

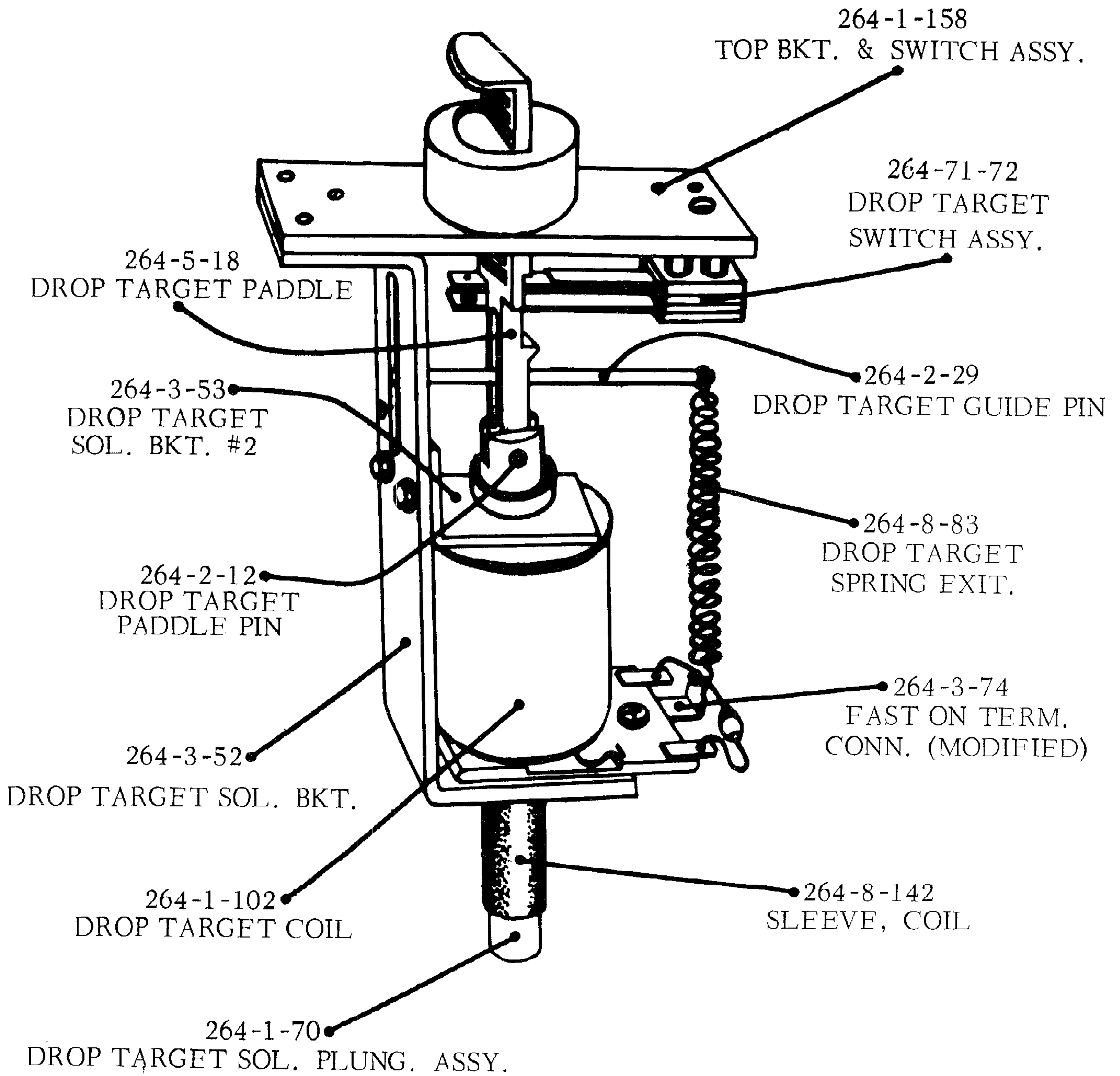


REBOUND KICKER ASS'Y. 264-1-10

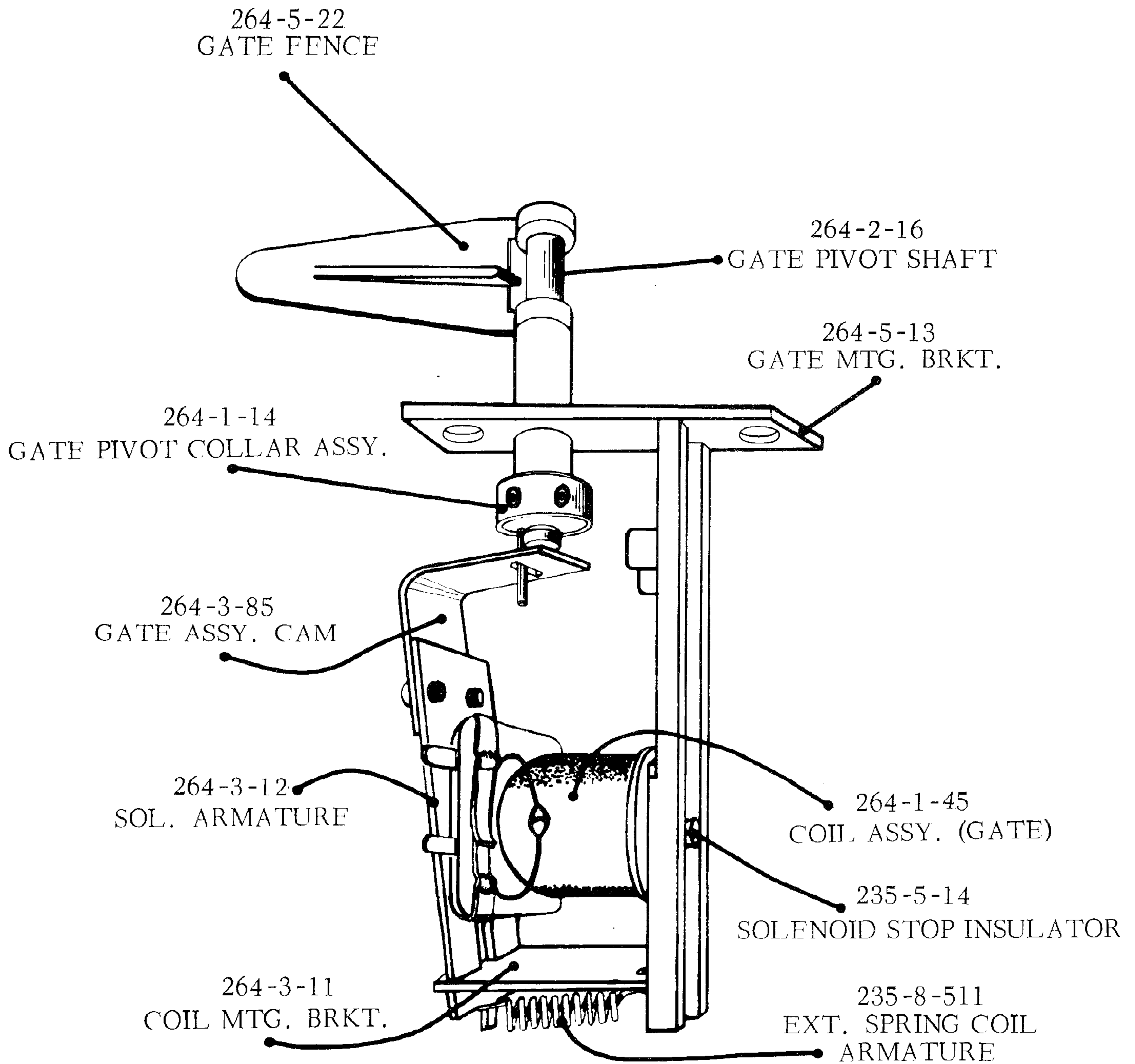


CHIME ASSY. #2 264-1-98

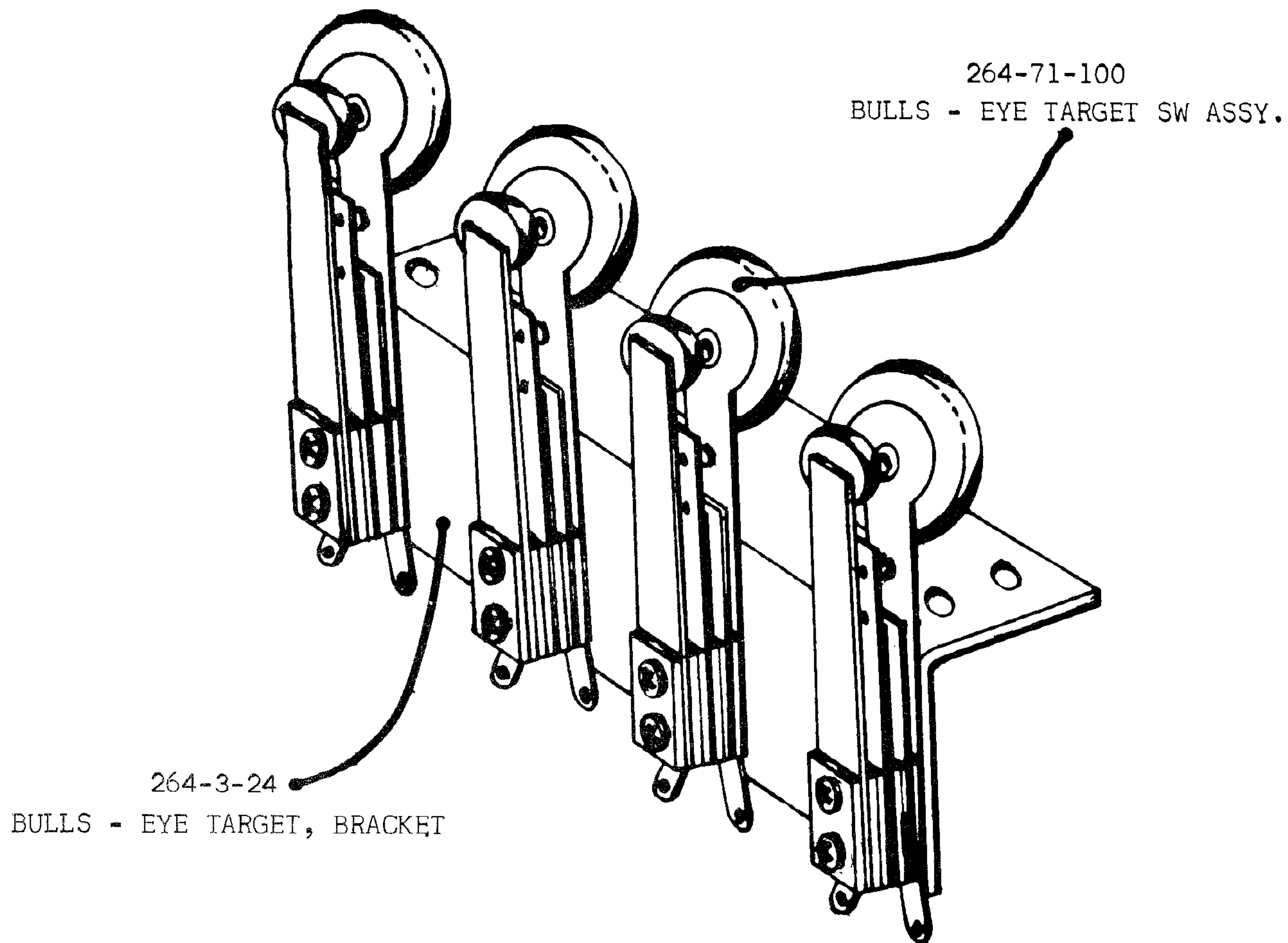




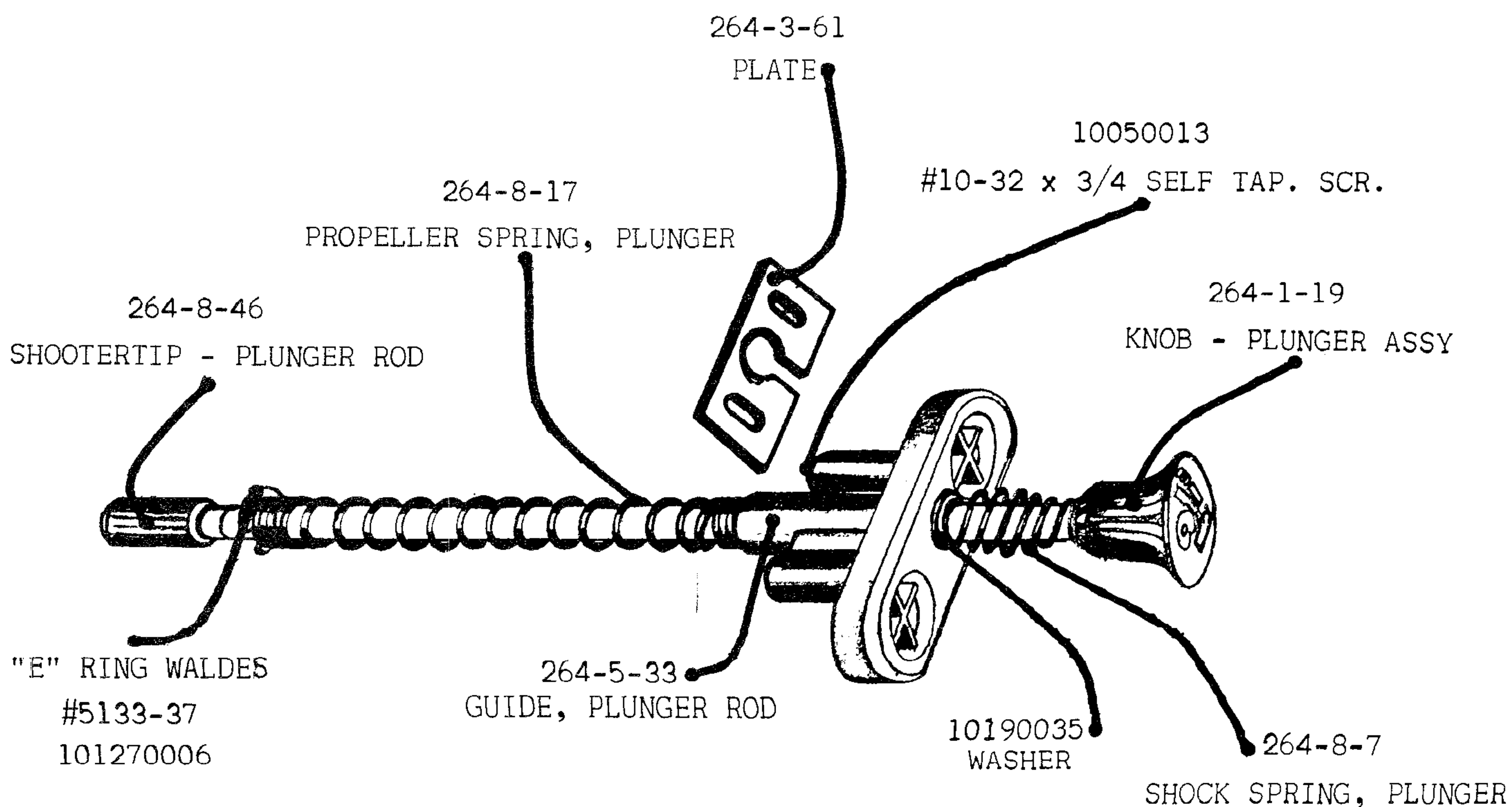
DROP TARGET ASS'Y. #1 264-1-36



GATE ASS'Y. 264-1-13

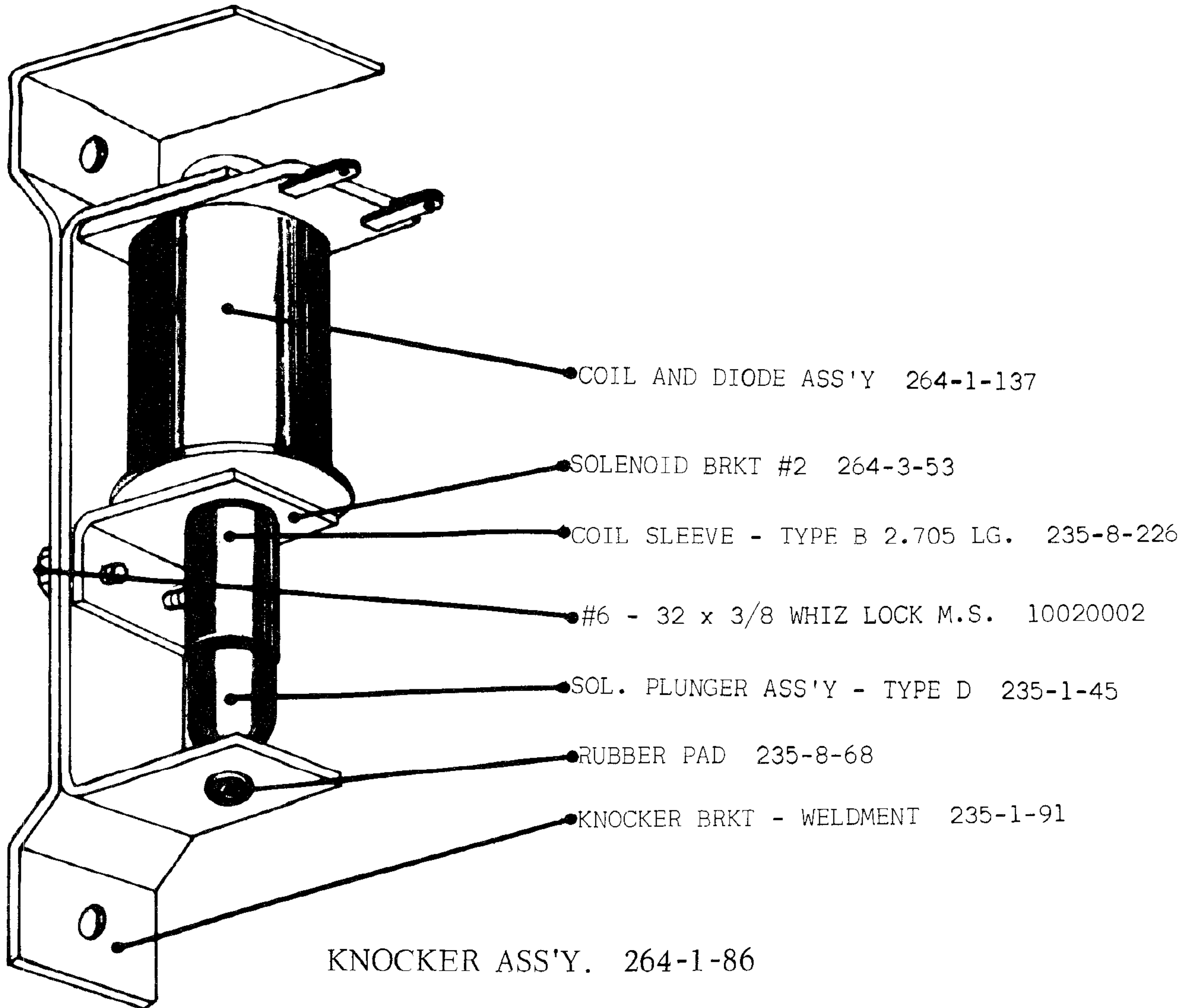


264-1-78  
BULLS-EYE SCORE TARGET ASS'Y.



264-1-18  
BALL PLUNGER ASS'Y.





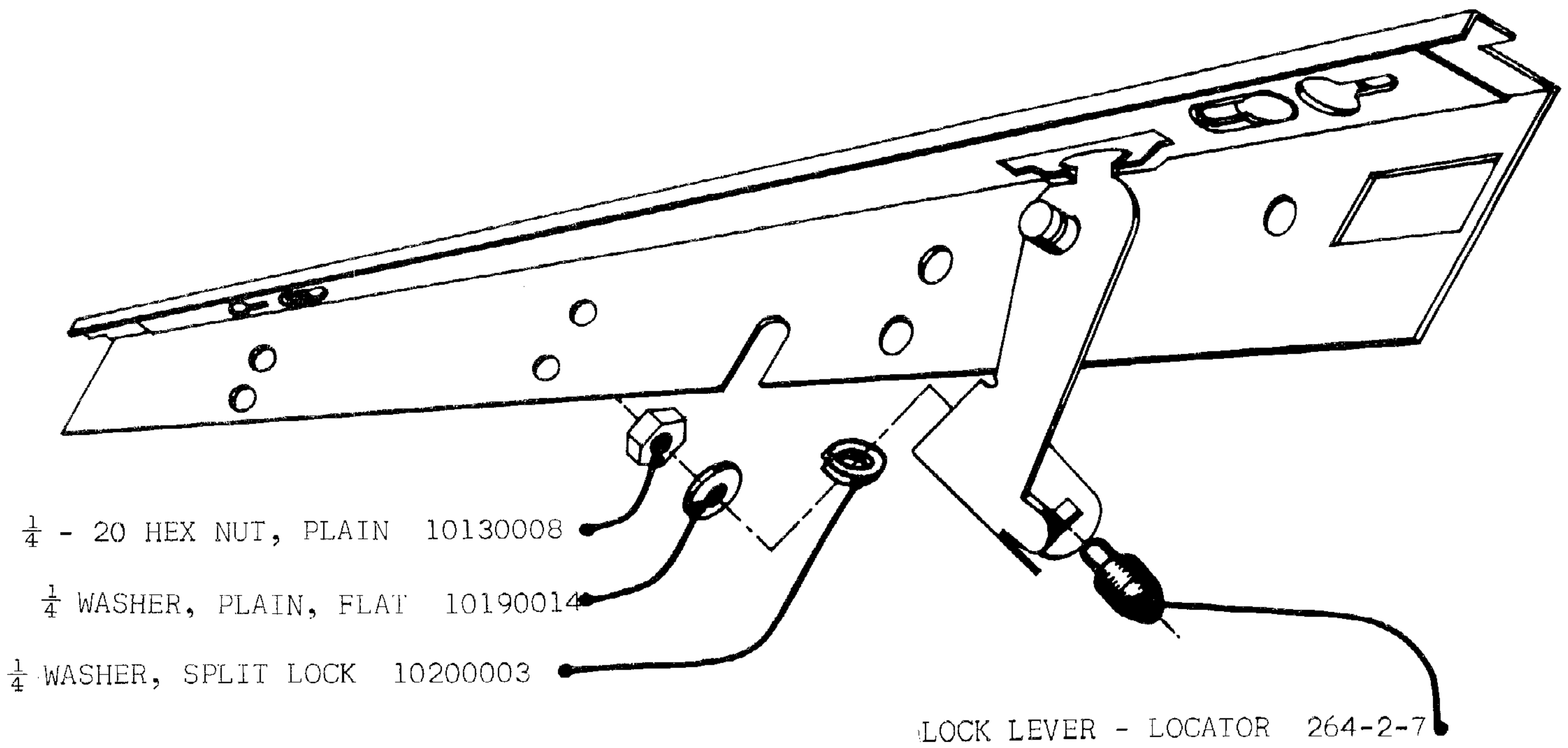
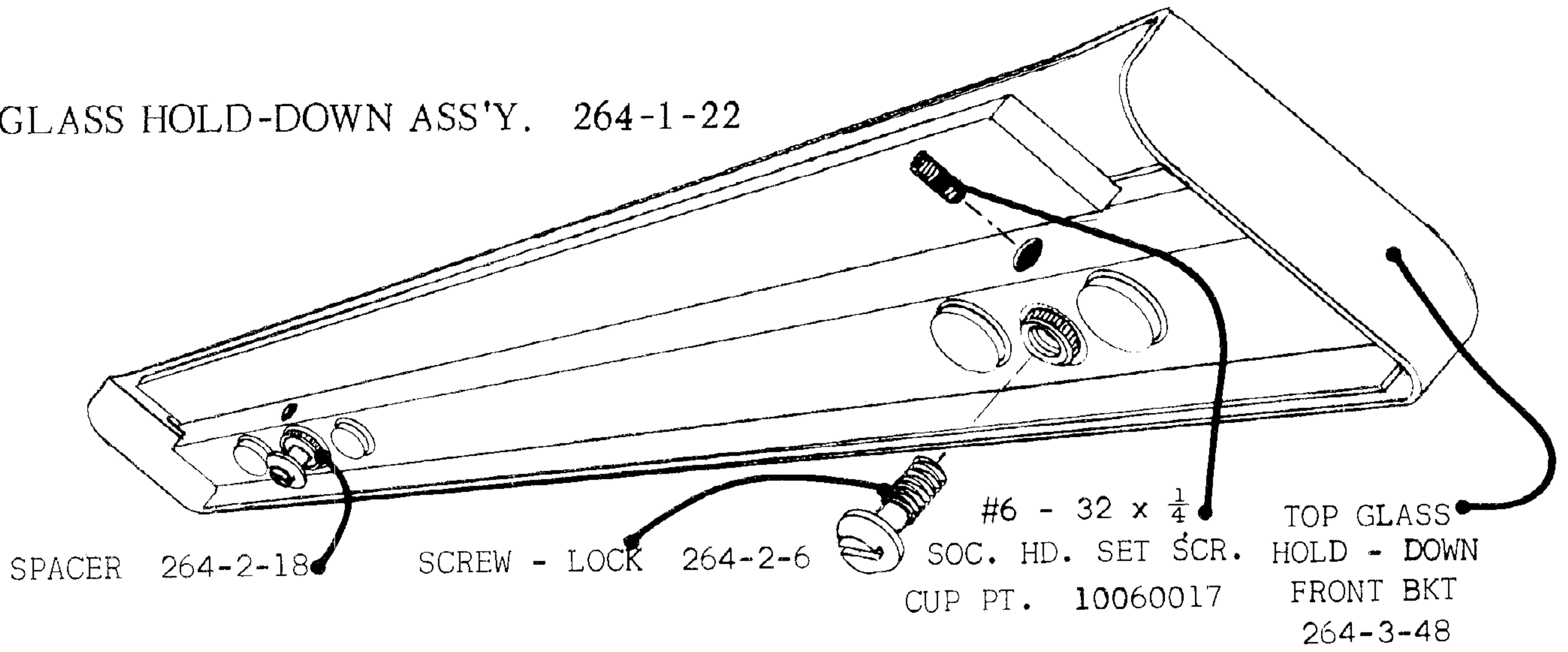
RED PLASTIC BUTTON FLR. 264-5-36

BUTTON COVER, FLIPPER SW. 264-5-35

BKT. SW. ASSY (FLIPPER) 264-1-160

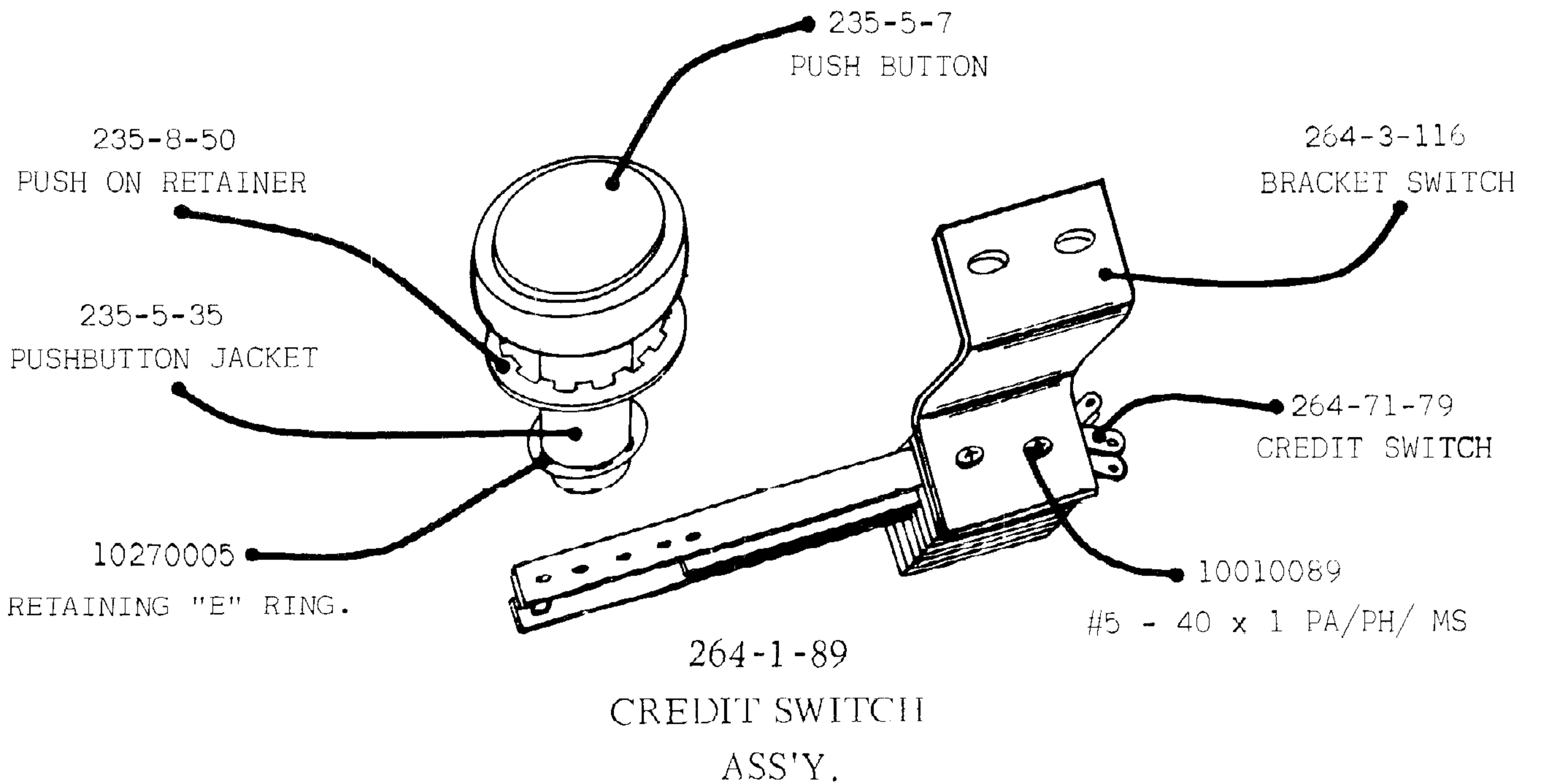
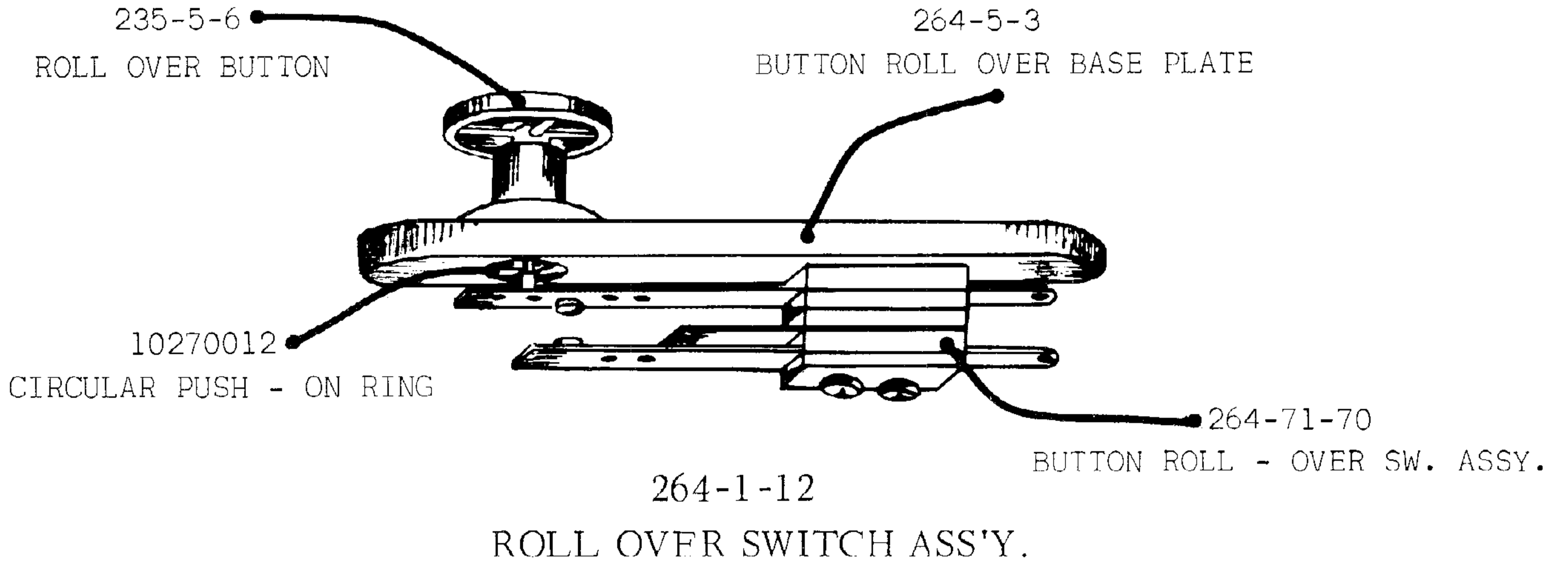
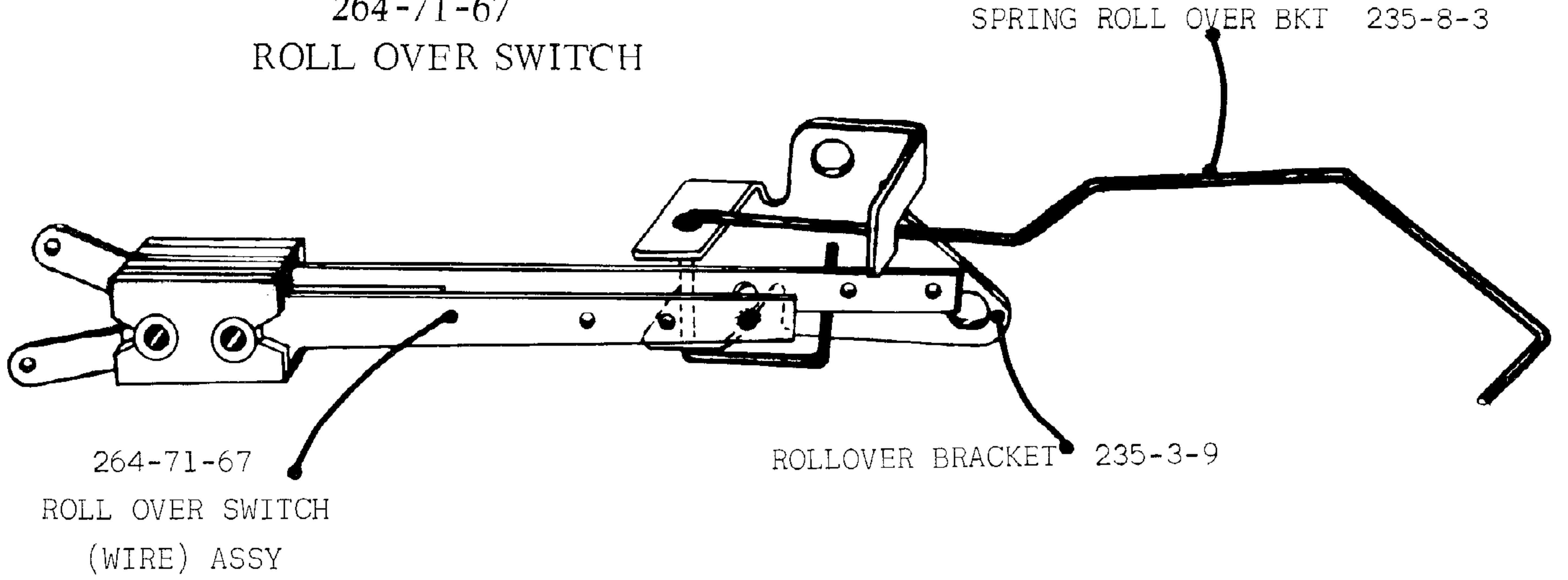
264-1-8  
FLIPPER SWITCH ASS'Y

TOP GLASS HOLD-DOWN ASS'Y. 264-1-22

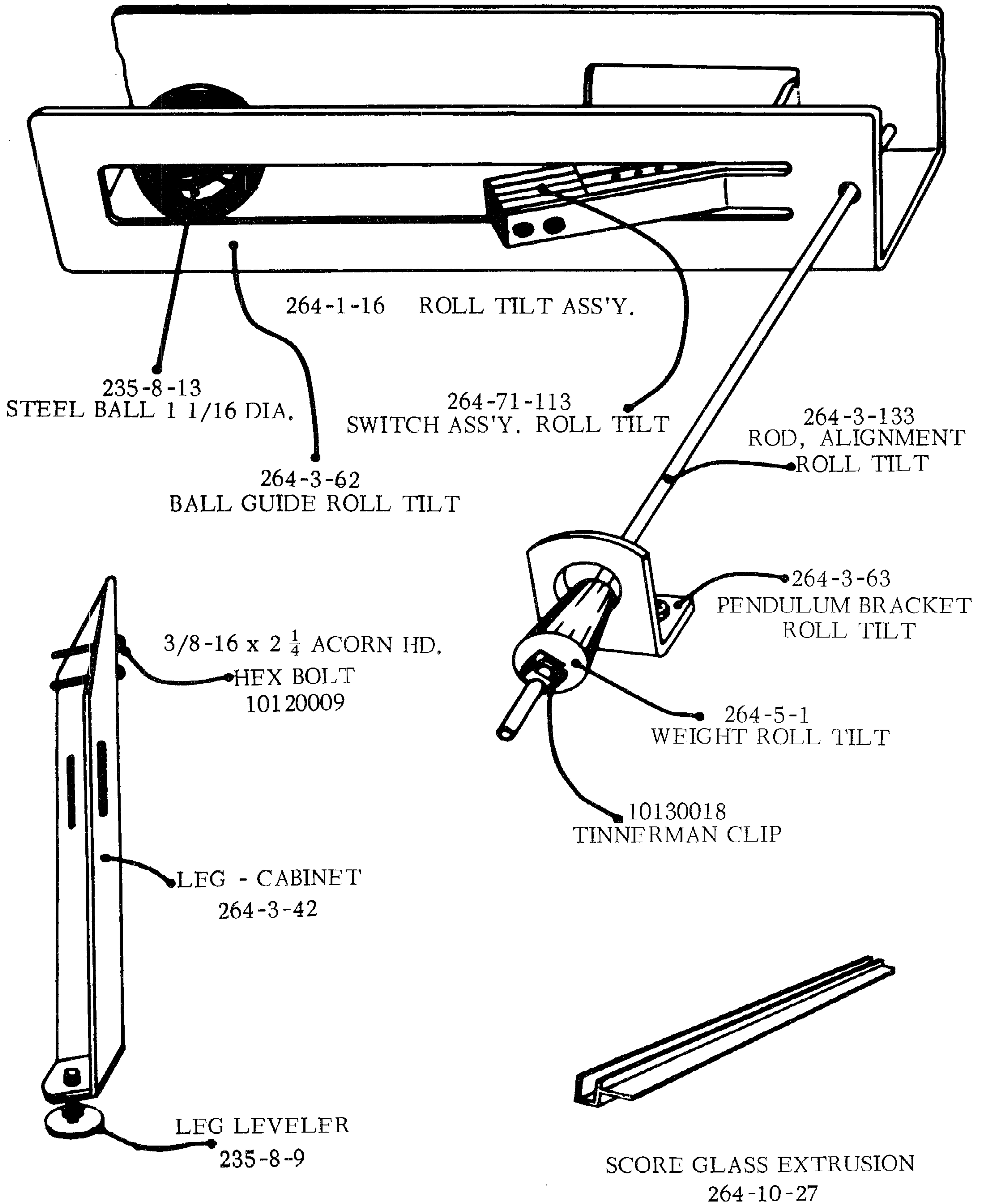


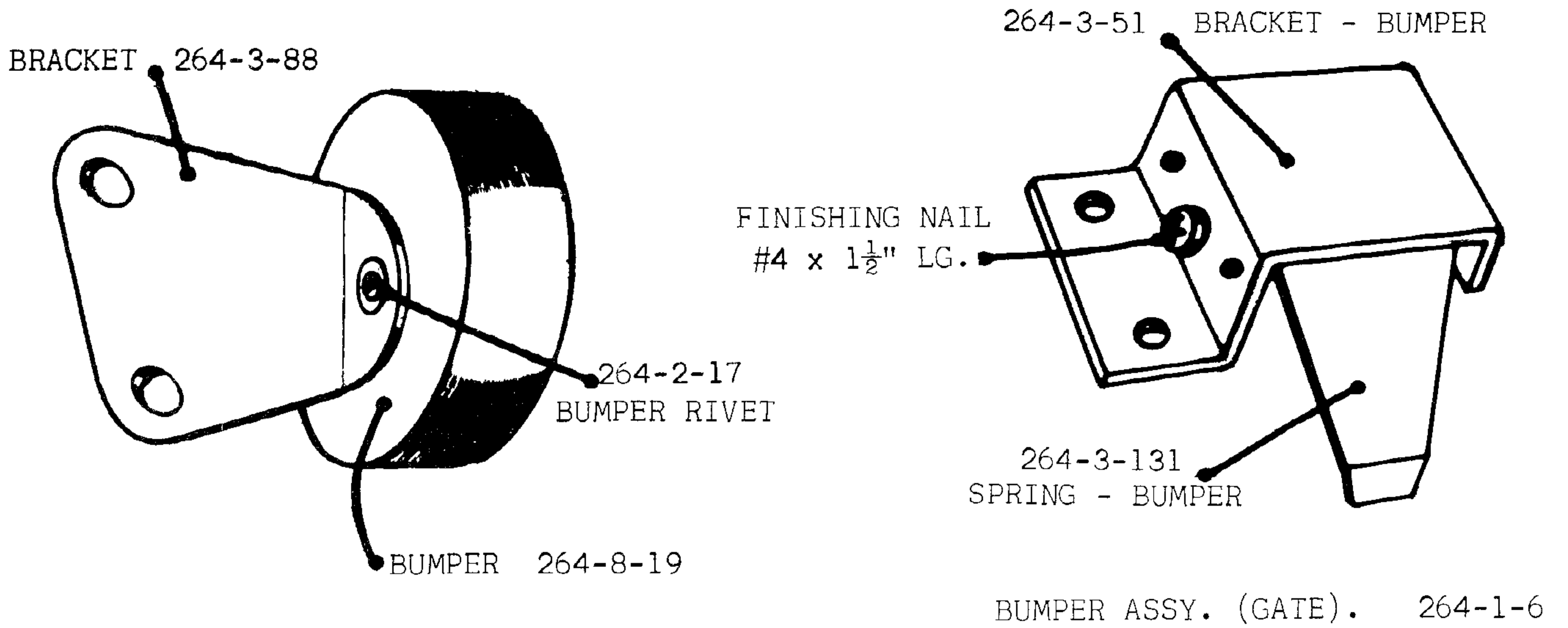
FRONT GLASS LOCK ASS'Y. 264-1-23

264-71-67  
ROLL OVER SWITCH

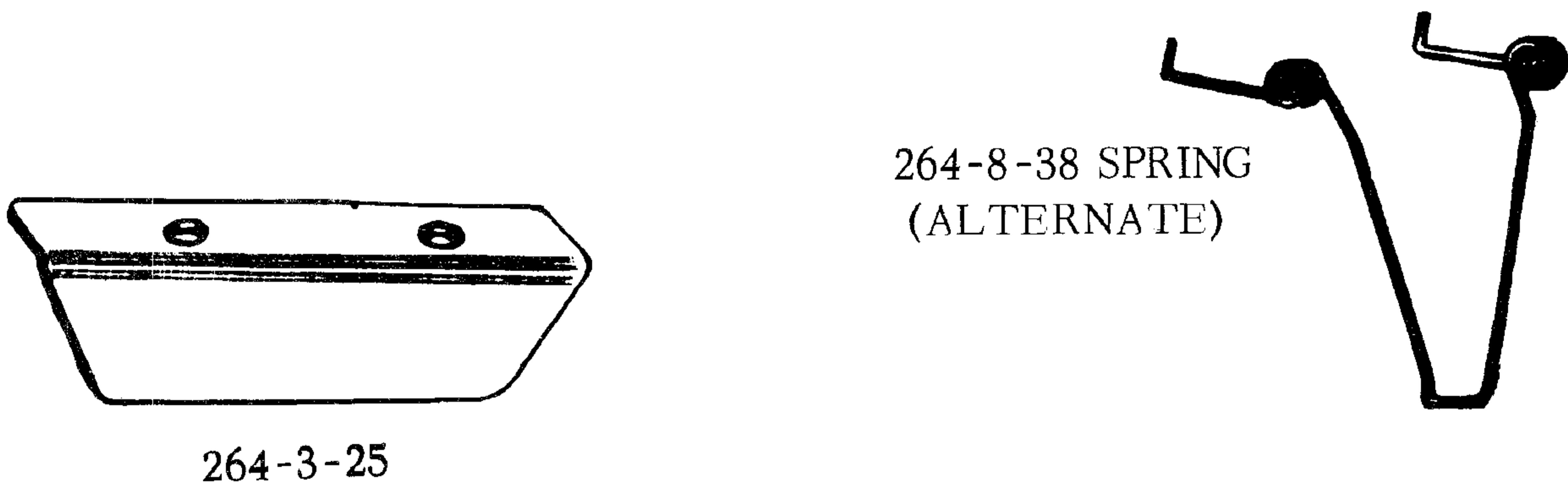




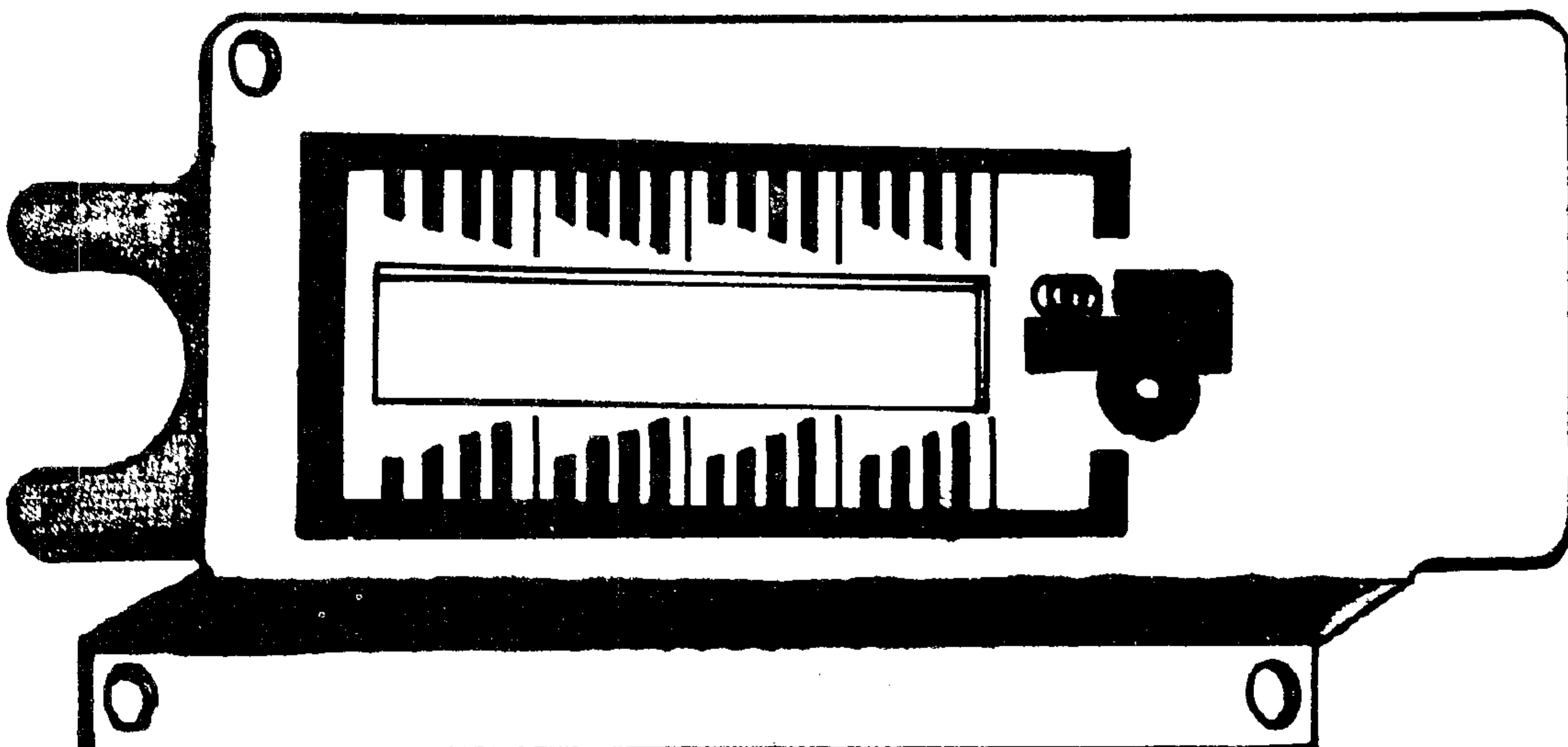




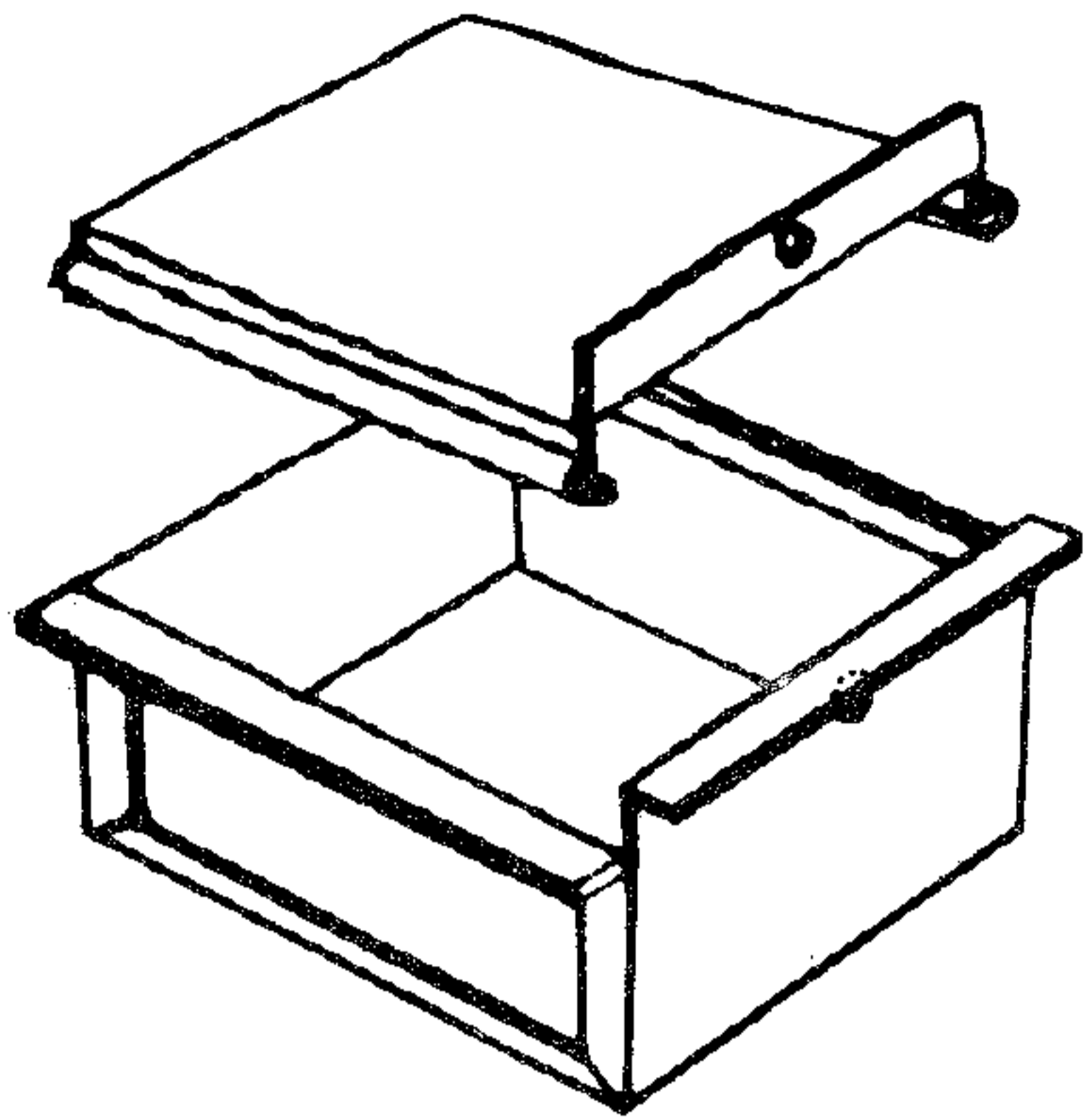
REBOUND BUMPER ASSY 264-1-17



BALL GUIDE WEAR PLATE, PLAYFIELD



COVER , BALL PLUNGER 264-3-37



LID -  
264-3-129

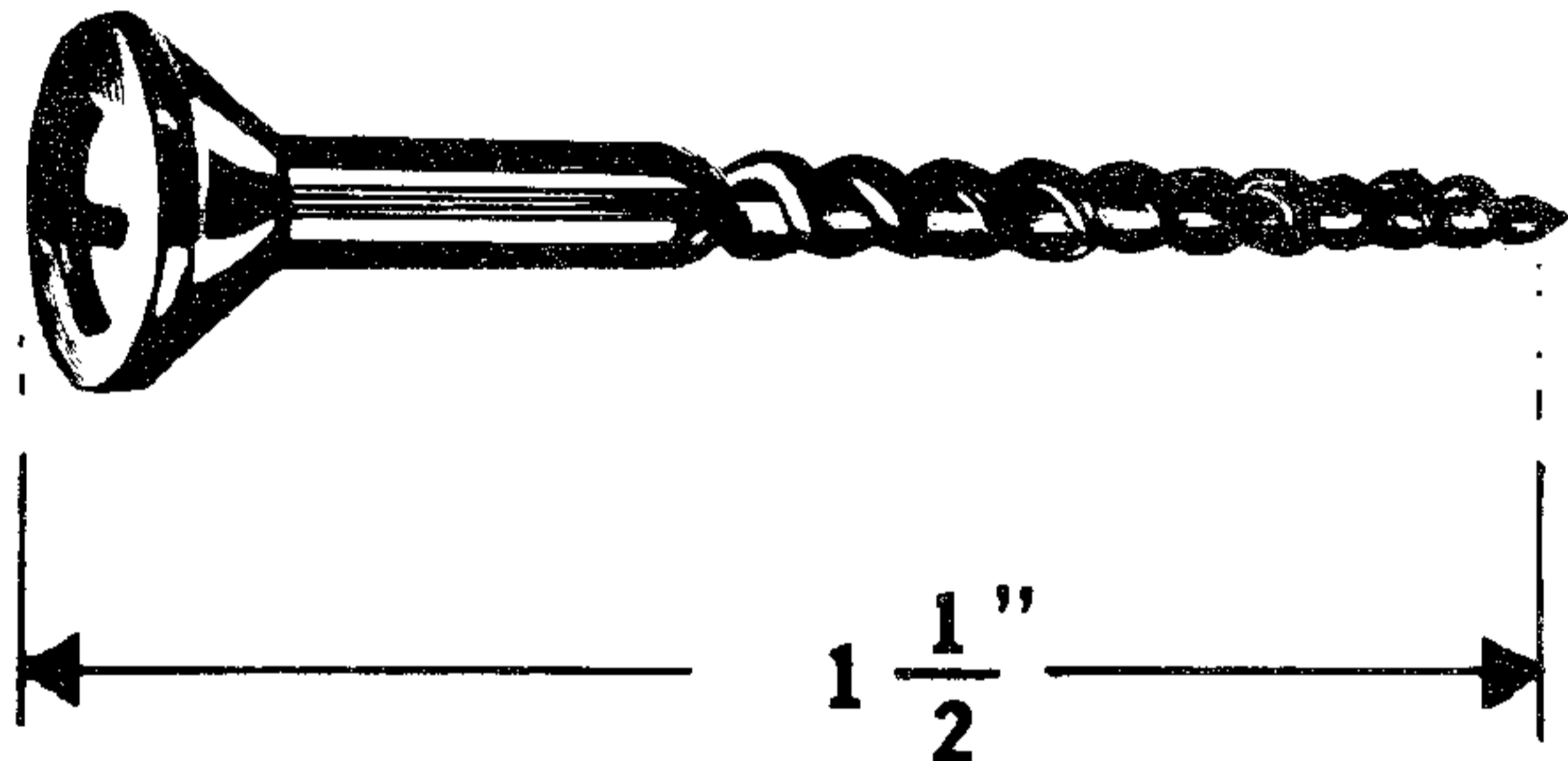
BOX  
264-1-91

CASH BOX & LID



264-5-26

PLAYFIELD BUMPER



#6 x 1 1/2 PH/WS

10070005

NICKEL PLATED.  
#6 - 32 CAP NUT  
10140010



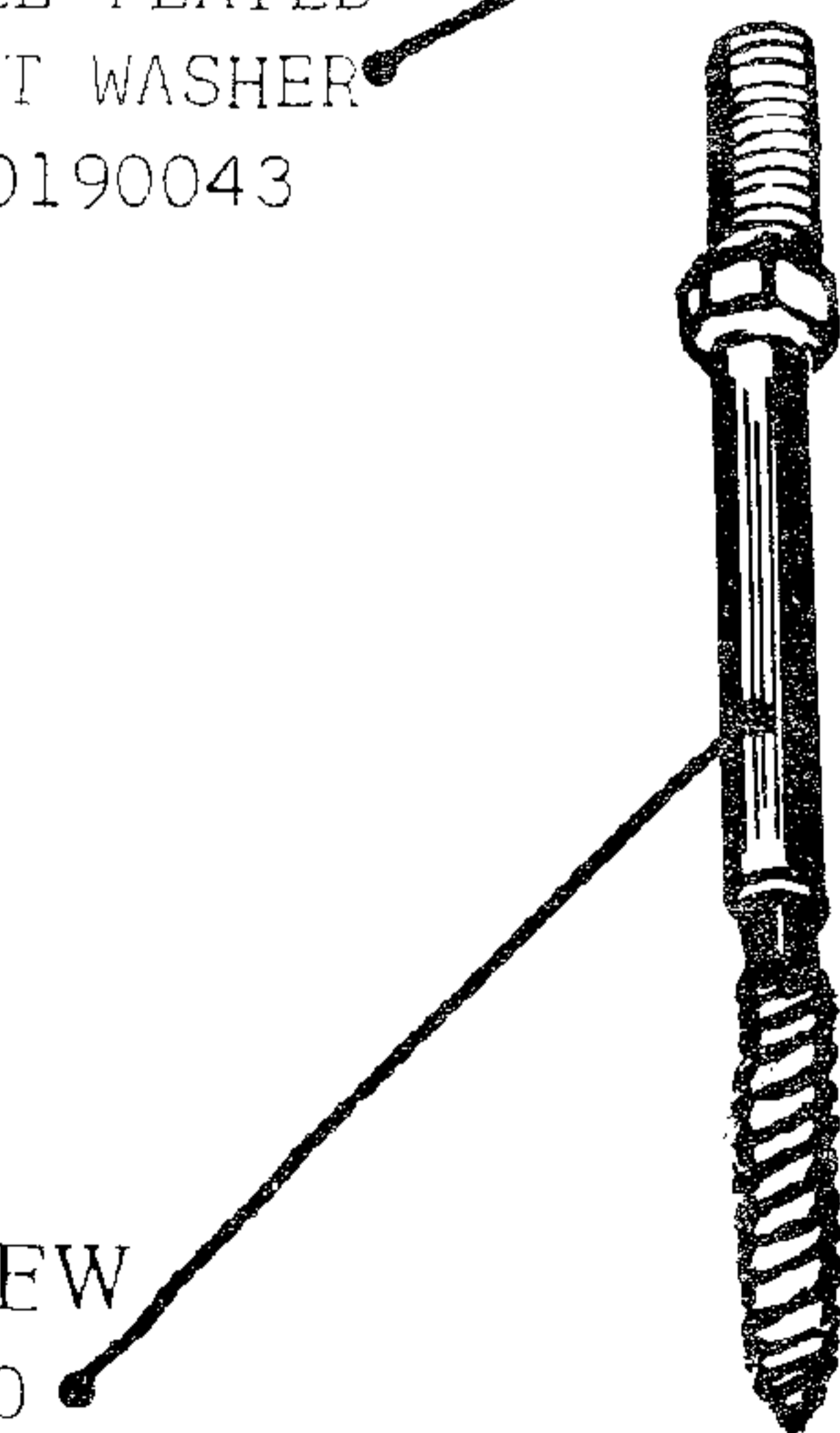
NICKEL PLATED  
FLAT WASHER  
10190043



NICKEL PLATED.  
NAIL PIN  
10240009

(USED AS GATES STOP)

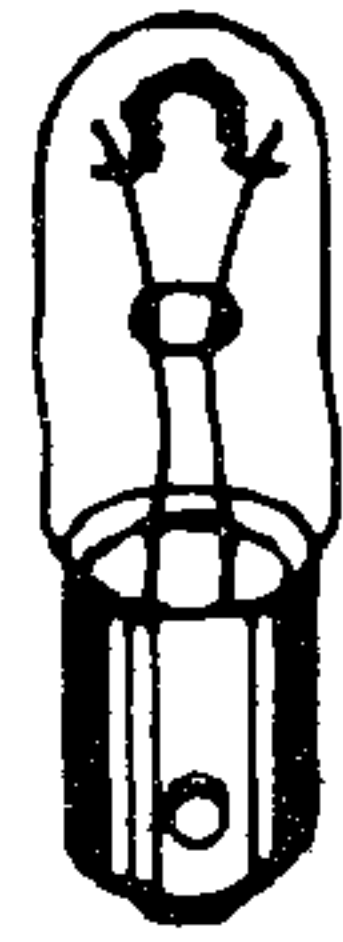
POST SCREW  
10070020





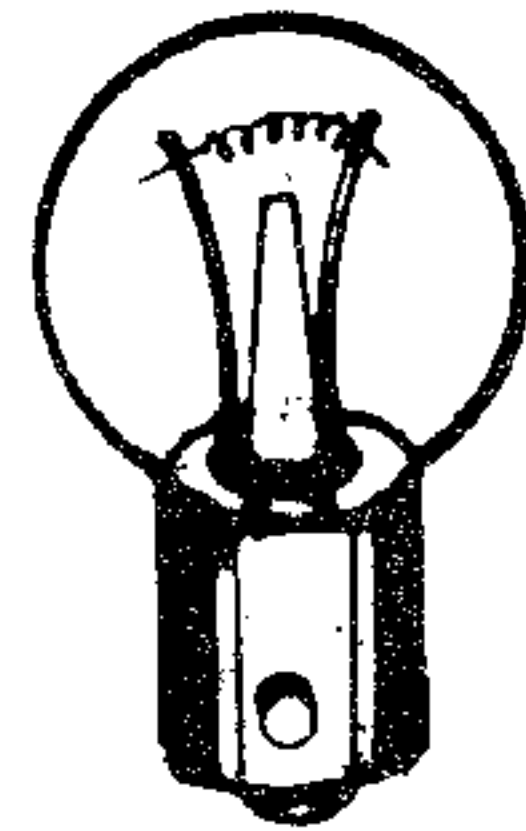
A.L.I. P/N

DESCRIPTION



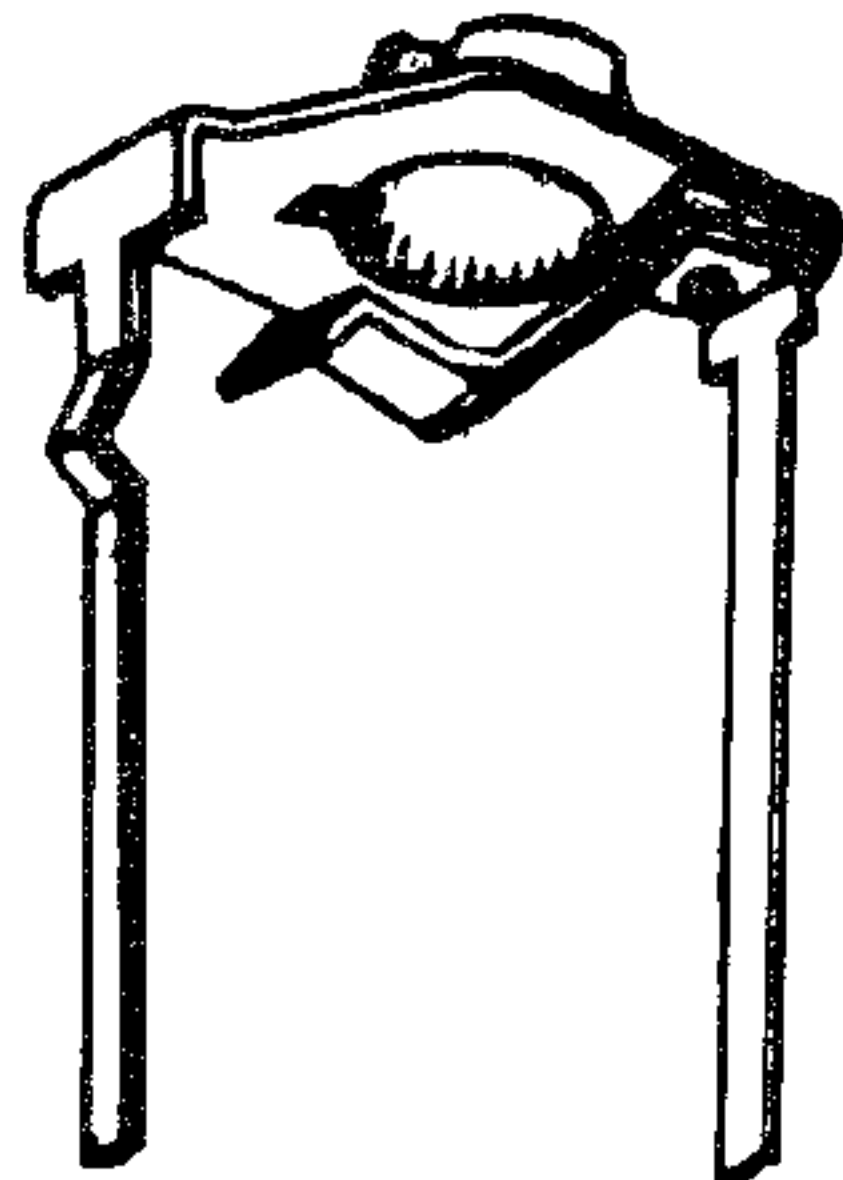
50180001  
50180004  
50180005

LAMP #1847  
LAMP #44  
LAMP #47



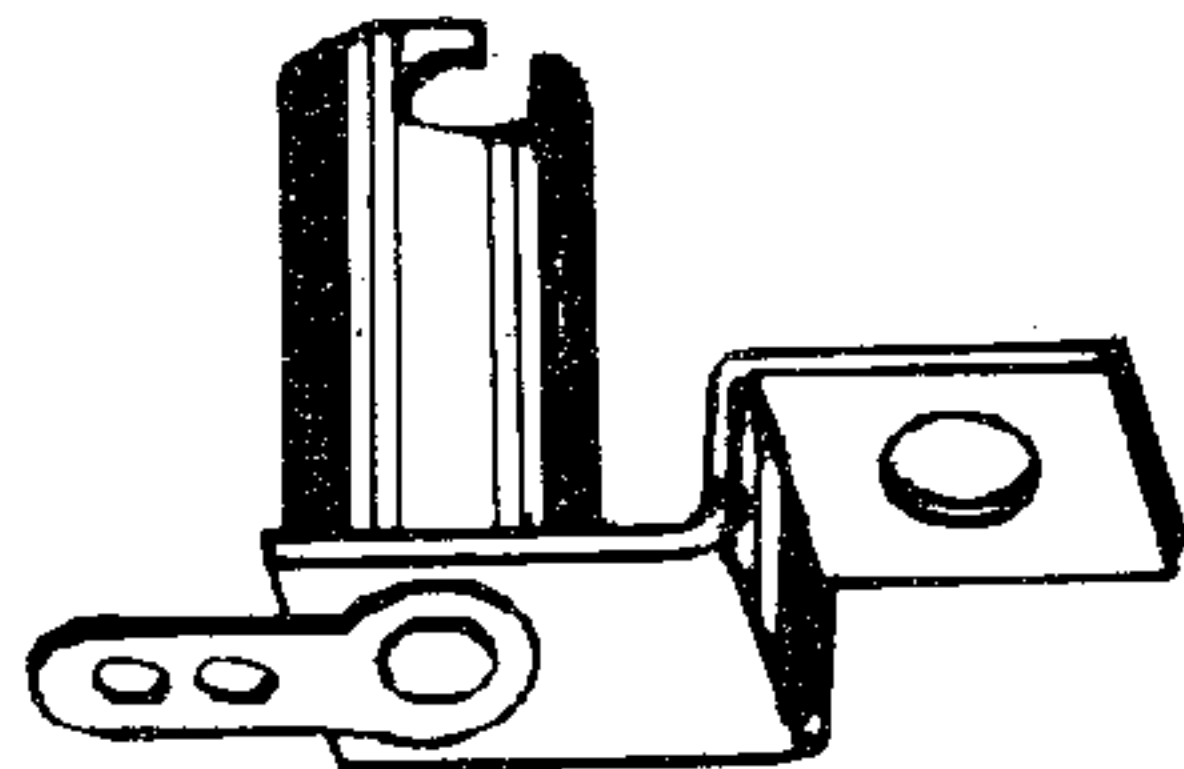
50180002  
50180003

LAMP #55  
LAMP #455 (FLASHING)



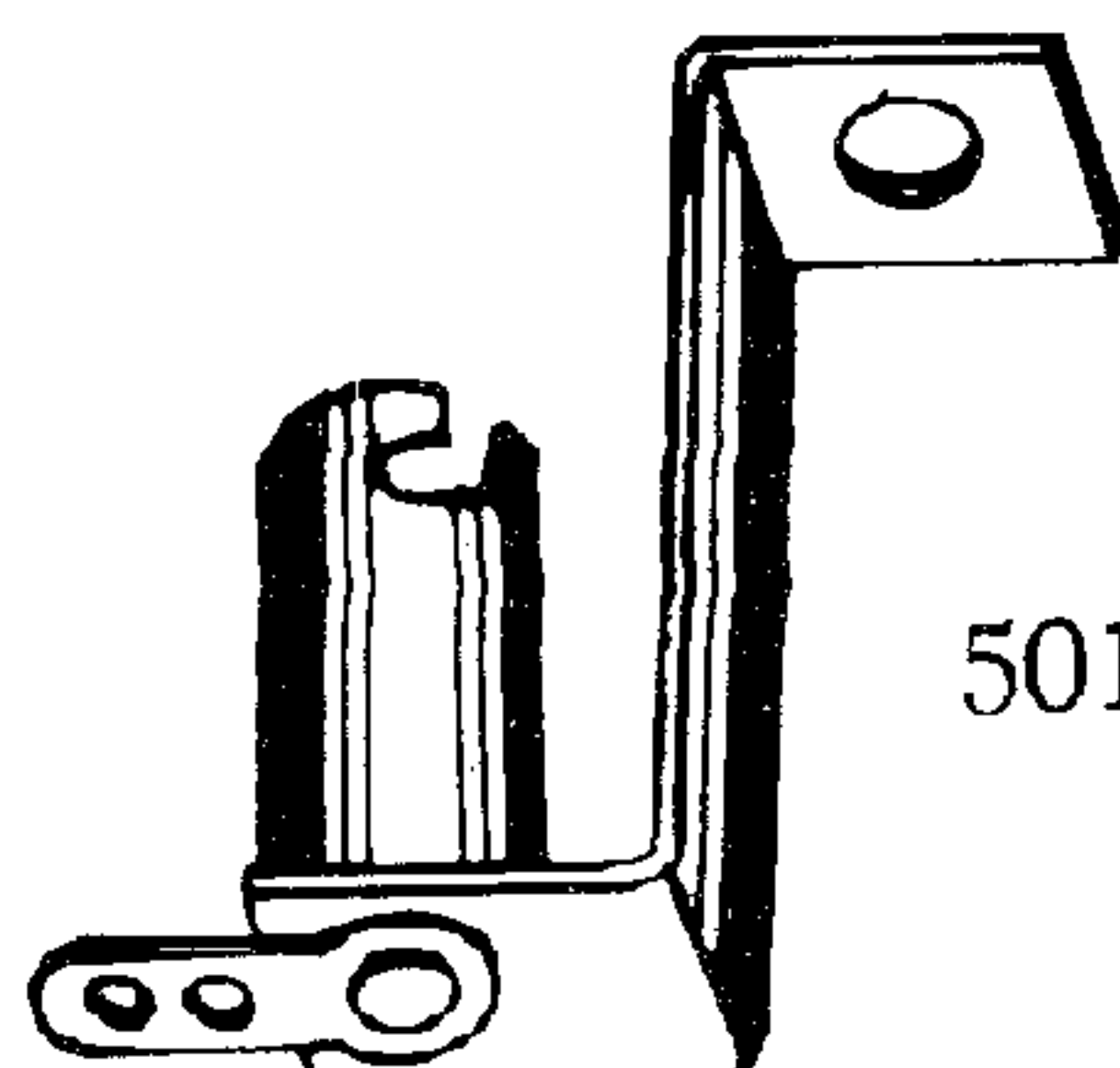
50190015

LIGHT SOCKET



50190006

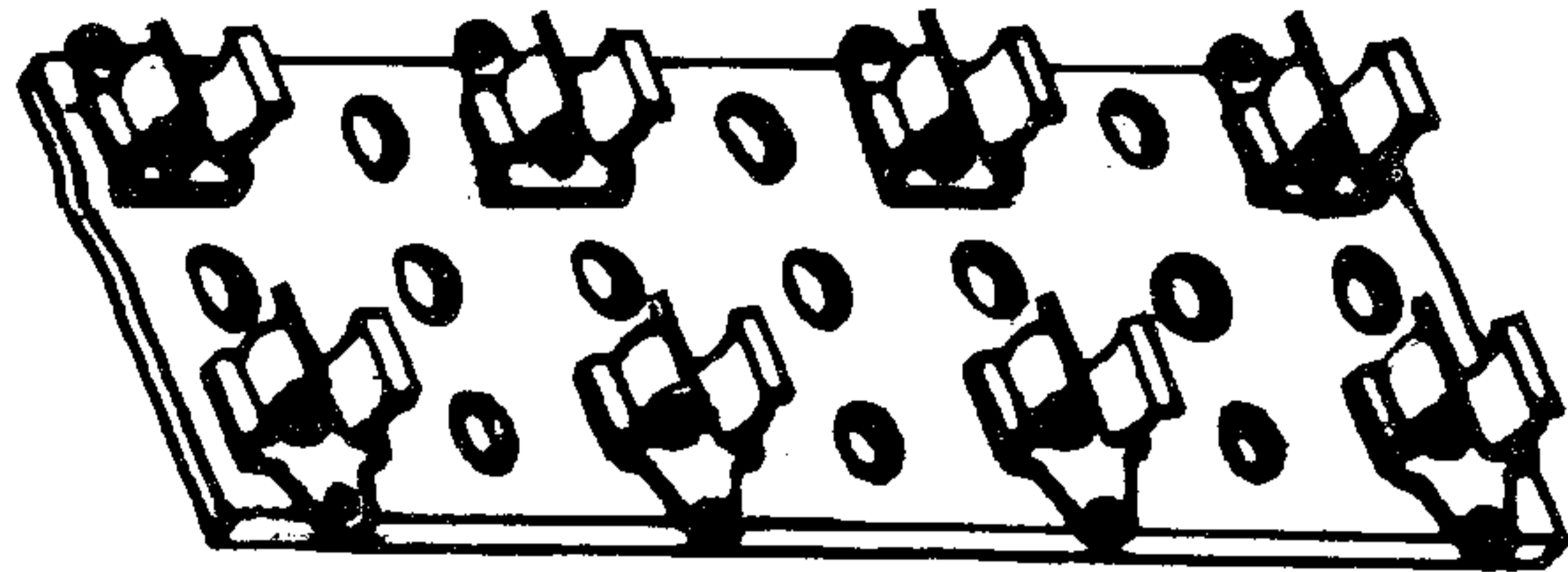
LAMP SOCKET 9/16" MOUNT



50190008

LAMP SOCKET

FUSE HOLDER



P/N

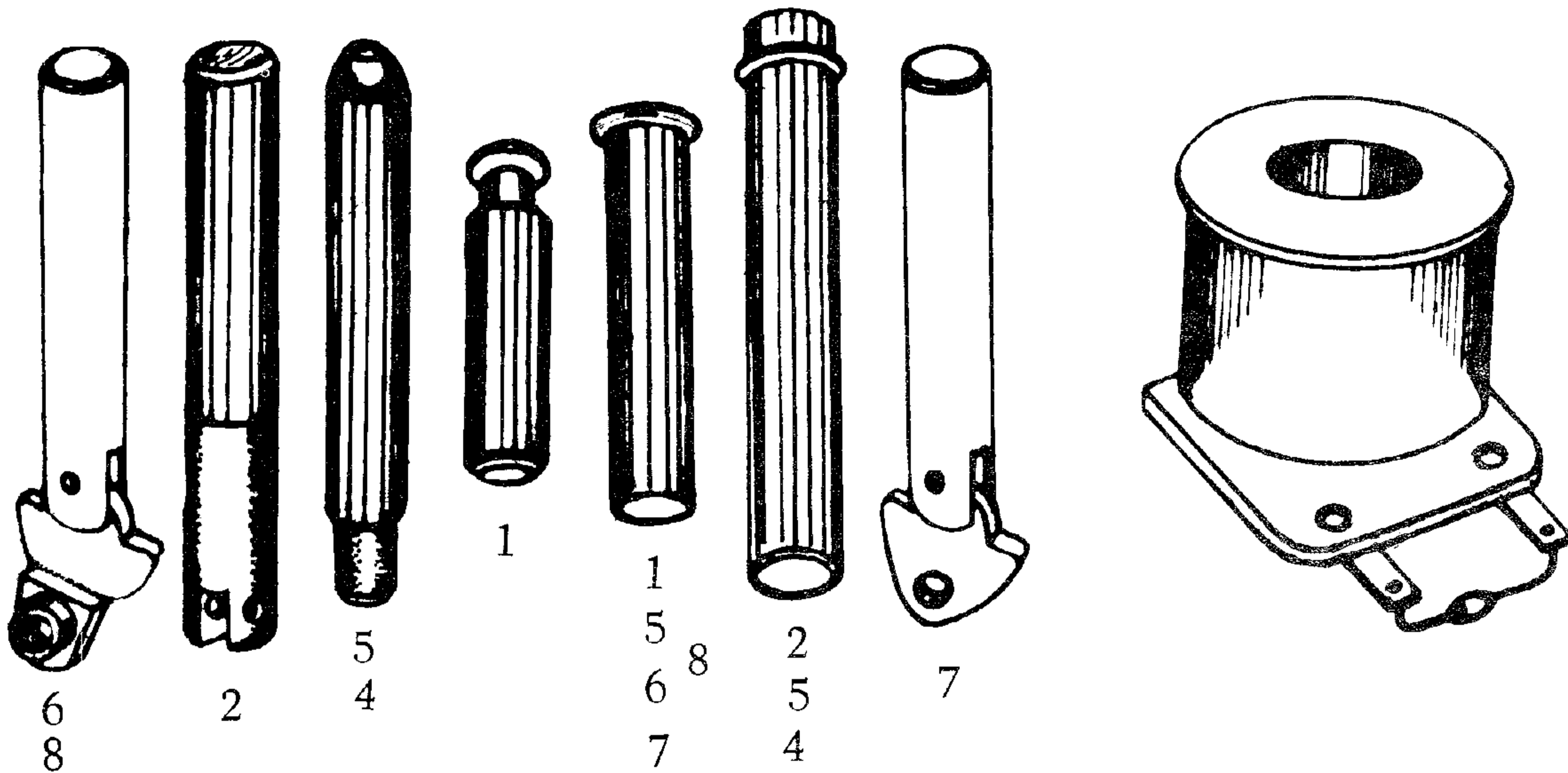
# OF HOLDERS

263-10-26

3

263-10-27

4



POSITION

COIL

SLEEVE

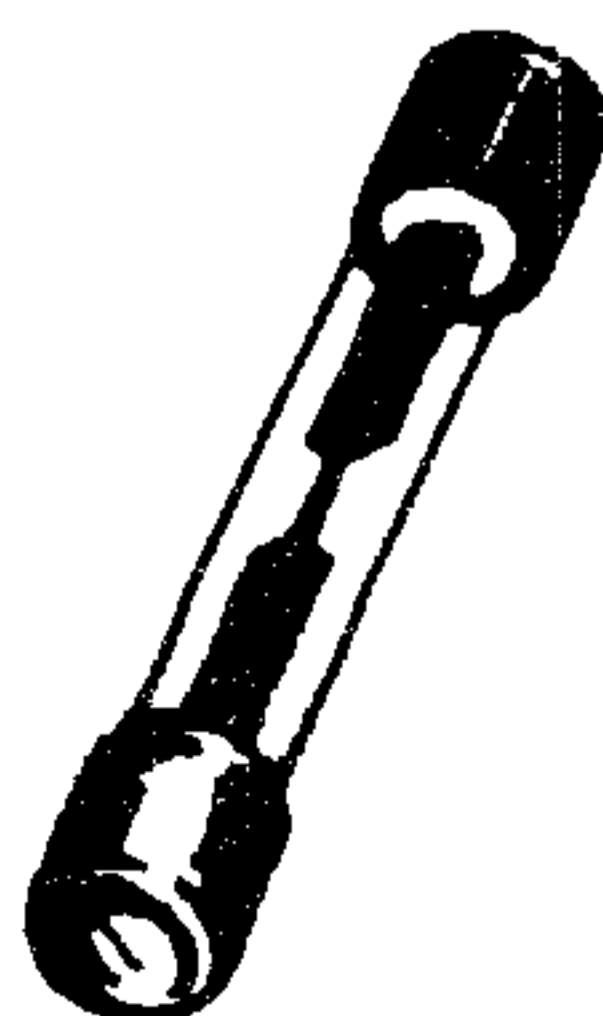
PLUNGER

1	THUMPER BUMPER	264-1-43	235-8-214	235-2-16
2	DROP TARGET	264-1-102	264-8-142	264-1-70
3	GATE	264-1-45	NONE	NONE
4	KNOCKER	264-1-137	235-8-226	235-1-45
5	CHIME	264-1-102	235-8-226	235-1-45
6	BALL KICKER	264-1-102	235-8-214	264-1-168
7	FLIPPER (L & R)	264-1-155	264-10-28	235-8-8
8	REBOUND KICKER	264-1-46	235-8-214	264-1-169

FUSES

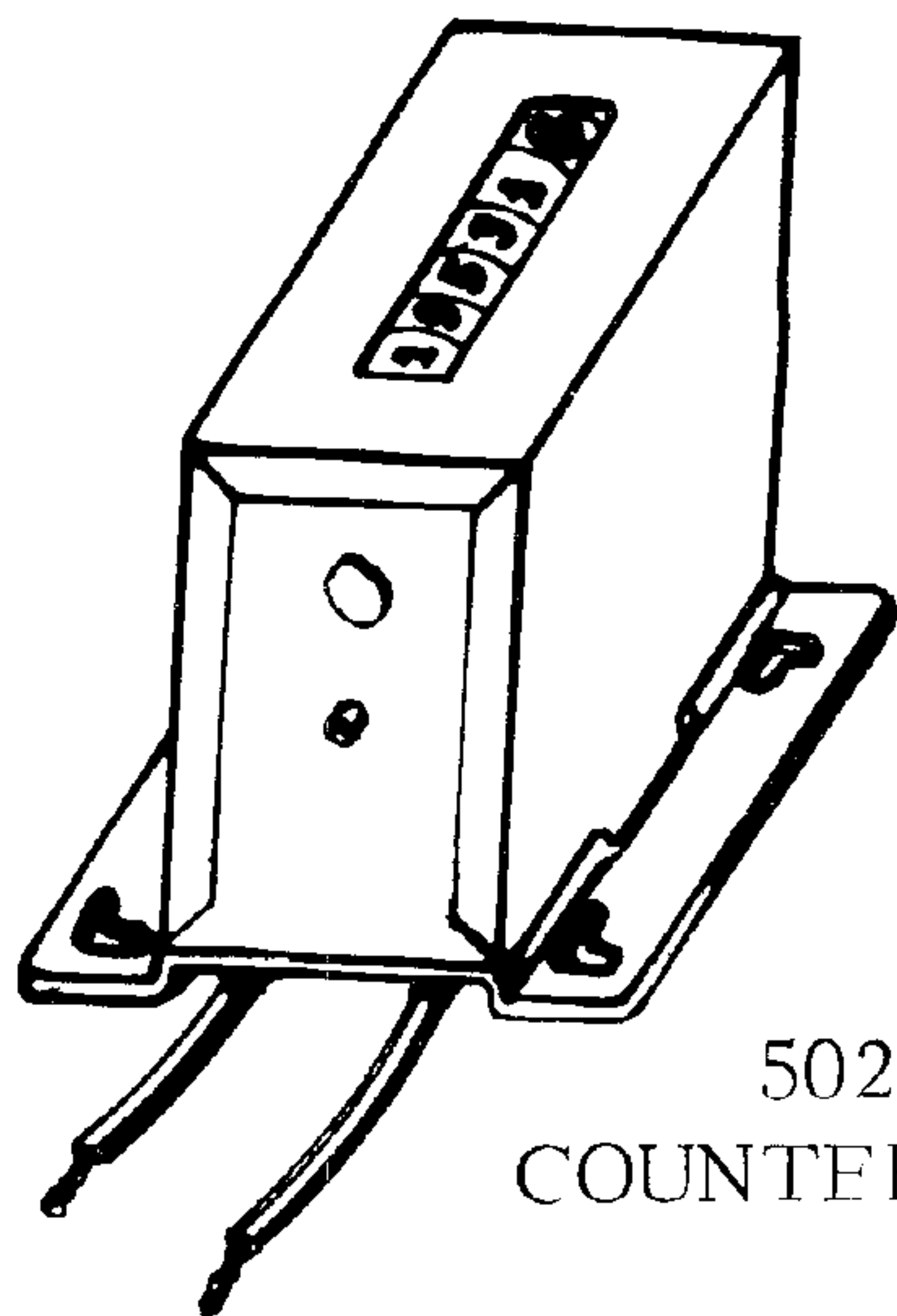
P/N

AMPS

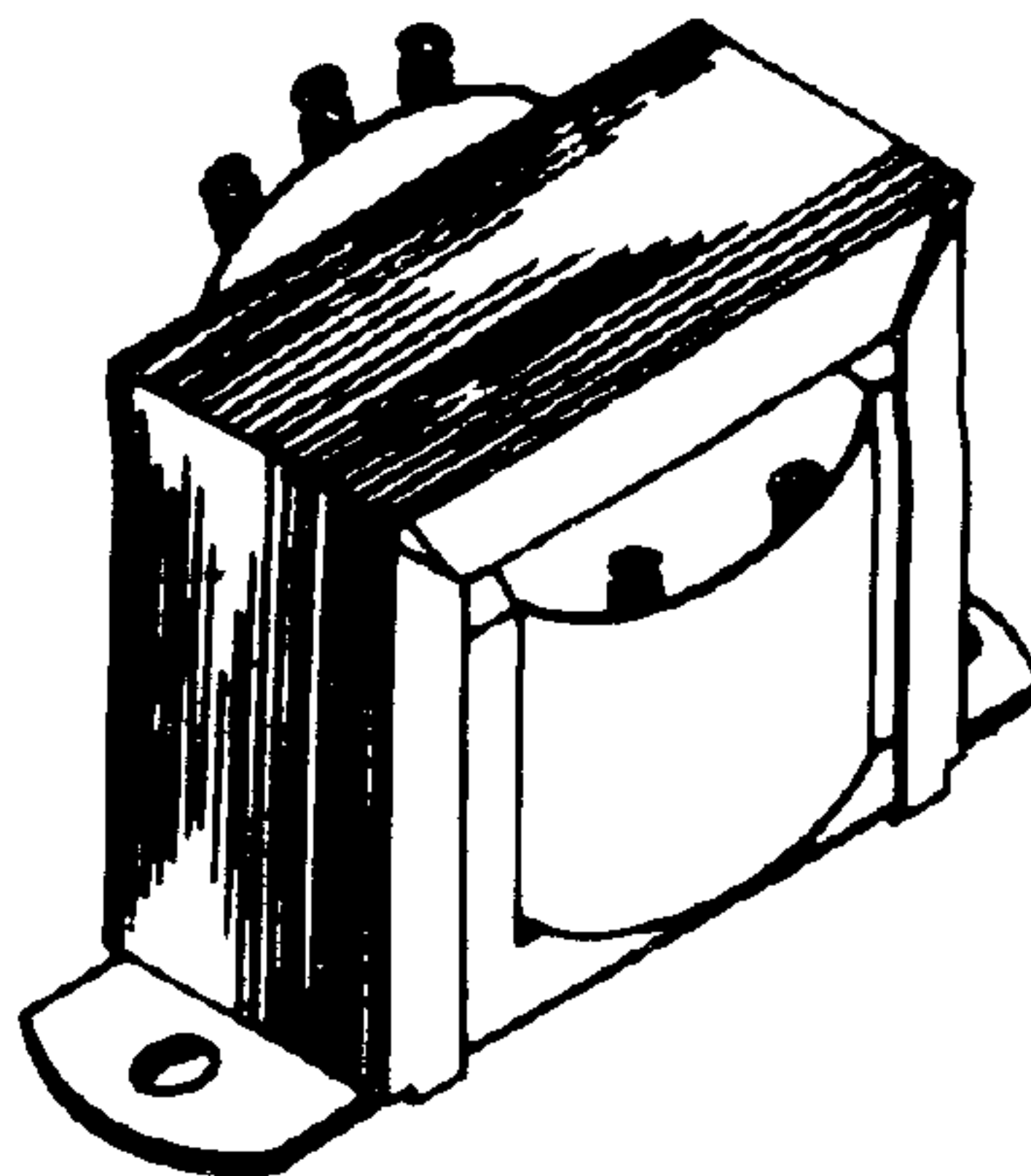


50230024  
50230022  
50230011  
50230009  
50230010  
50230008

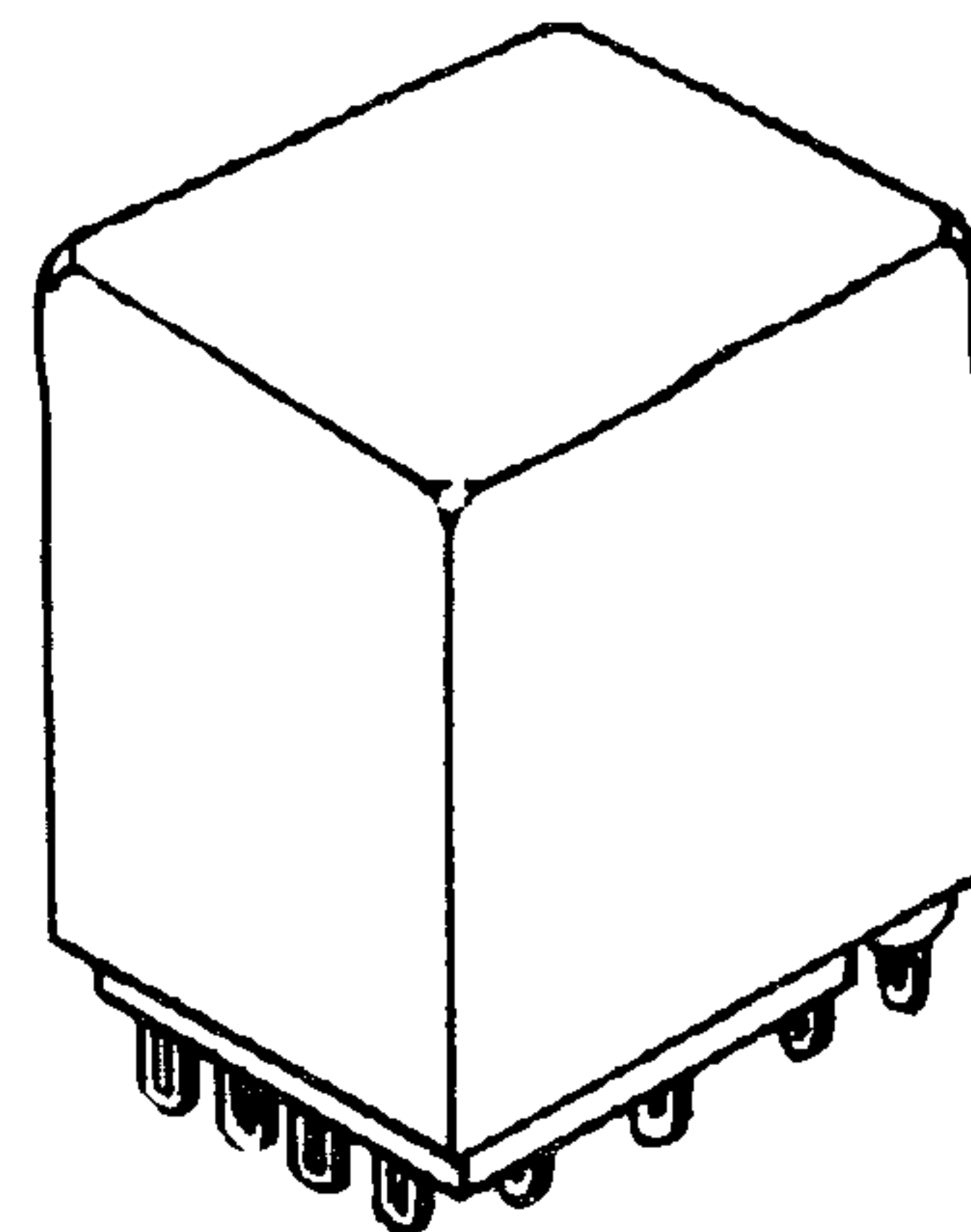
20 AMPS F. B.  
 $\frac{1}{2}$  AMP  
10 AMPS S. B.  
8 AMPS S. B.  
8 AMPS F. B.  
5 AMPS S. B.



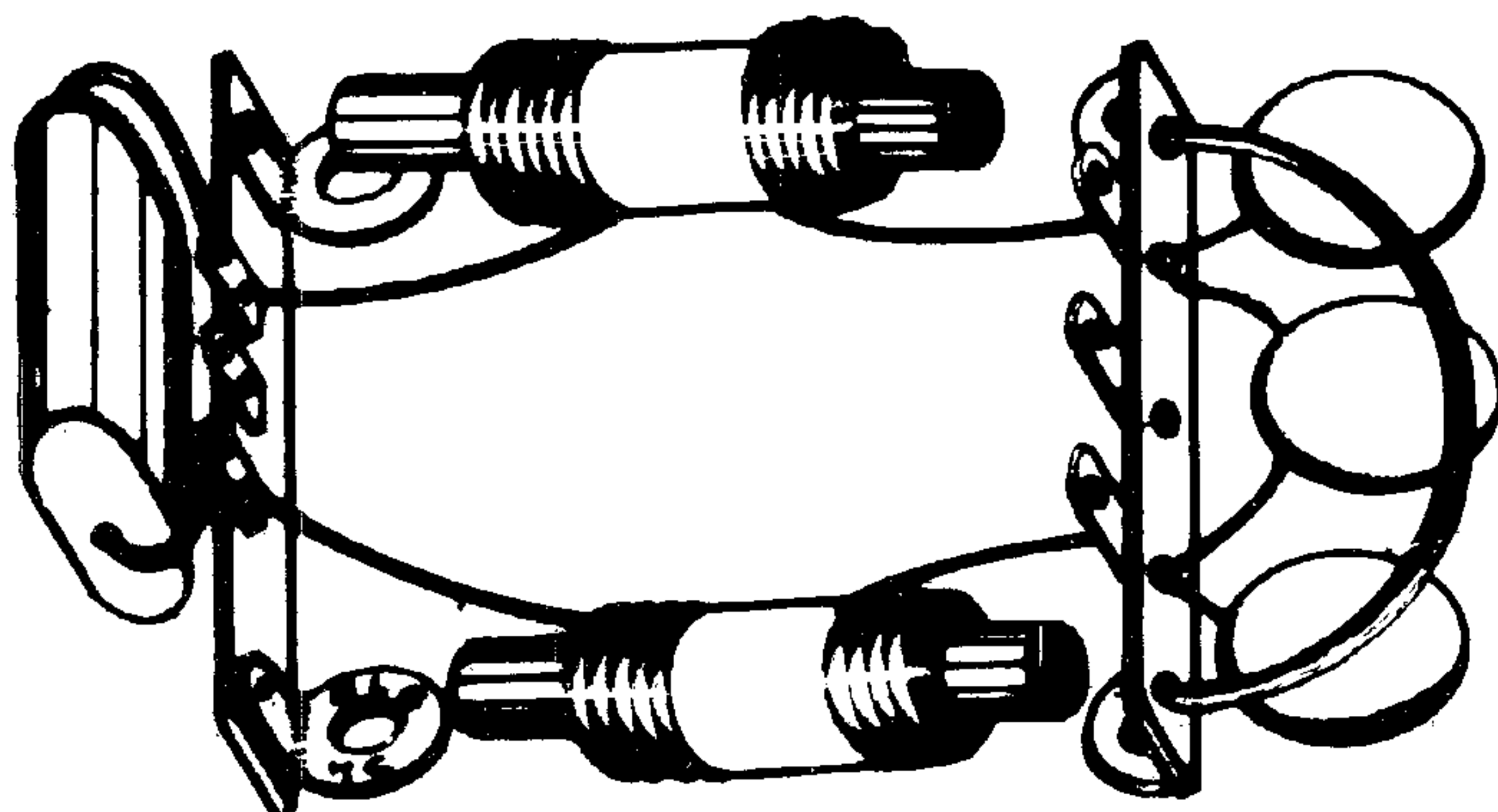
50270006  
COUNTER 24 VDC



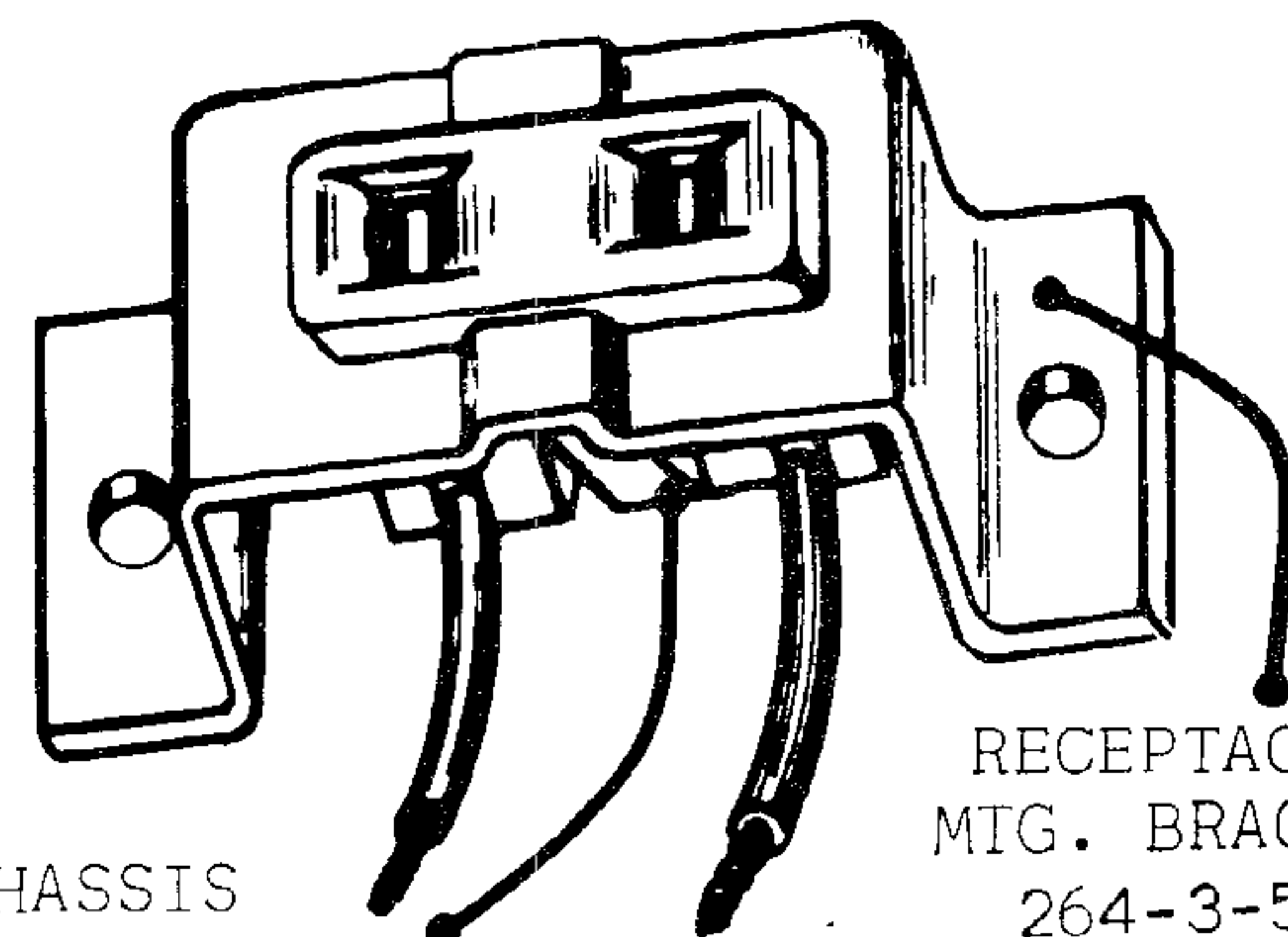
TRANSFORMER  
50280022



264-1-104  
RELAY WITH DIODE ASSY.



264-1-107  
A. C. LINE FILTER ASS'Y.



CHASSIS  
PLUG RECEPTACLE,  
50150031

RECEPTACLE  
MTG. BRACKET  
264-3-57

AC RECEPTACLE ASS'Y.  
264-1-110

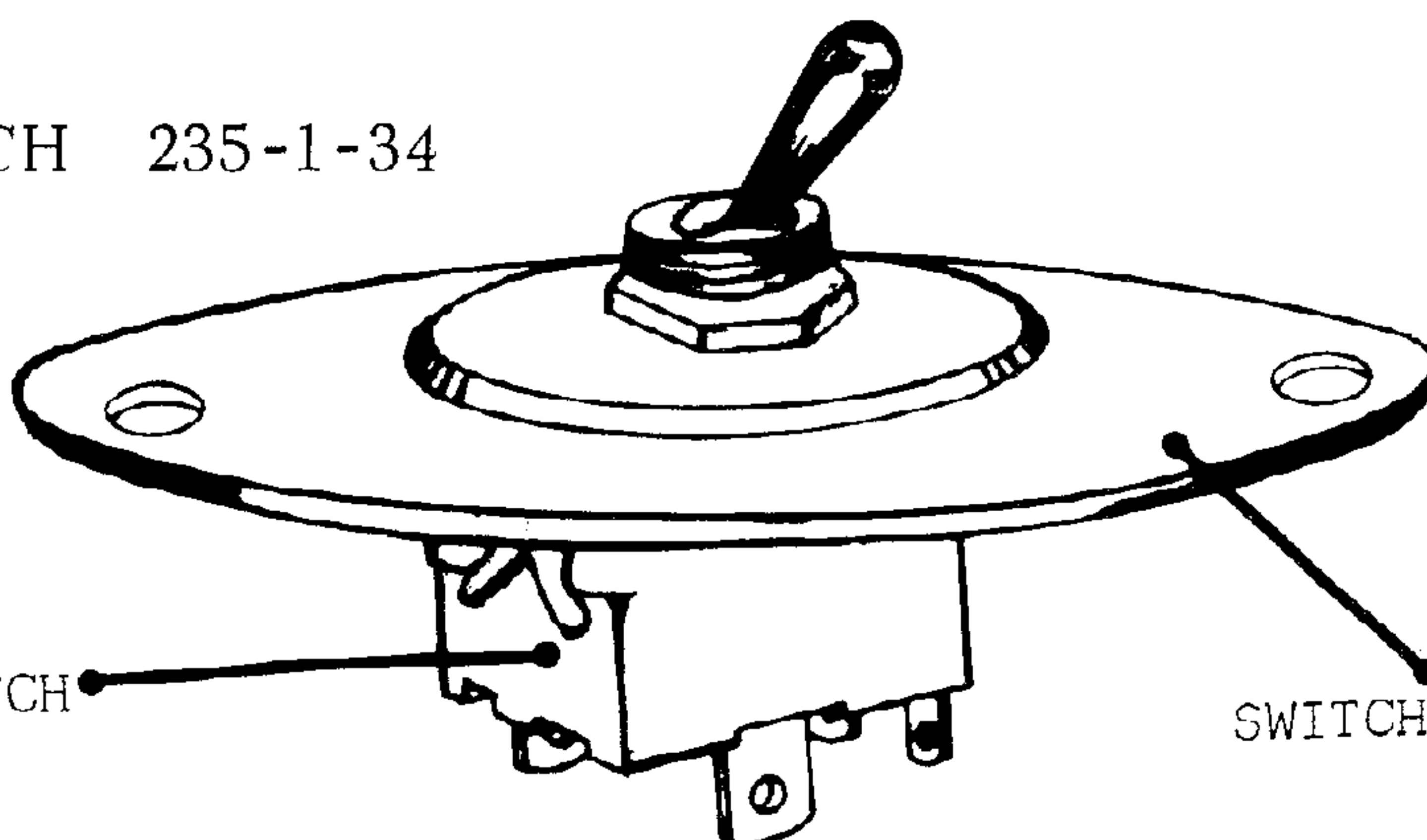


DIODE 2 AMP 50100010



DIODE 1 AMP BA2C5  
50100009

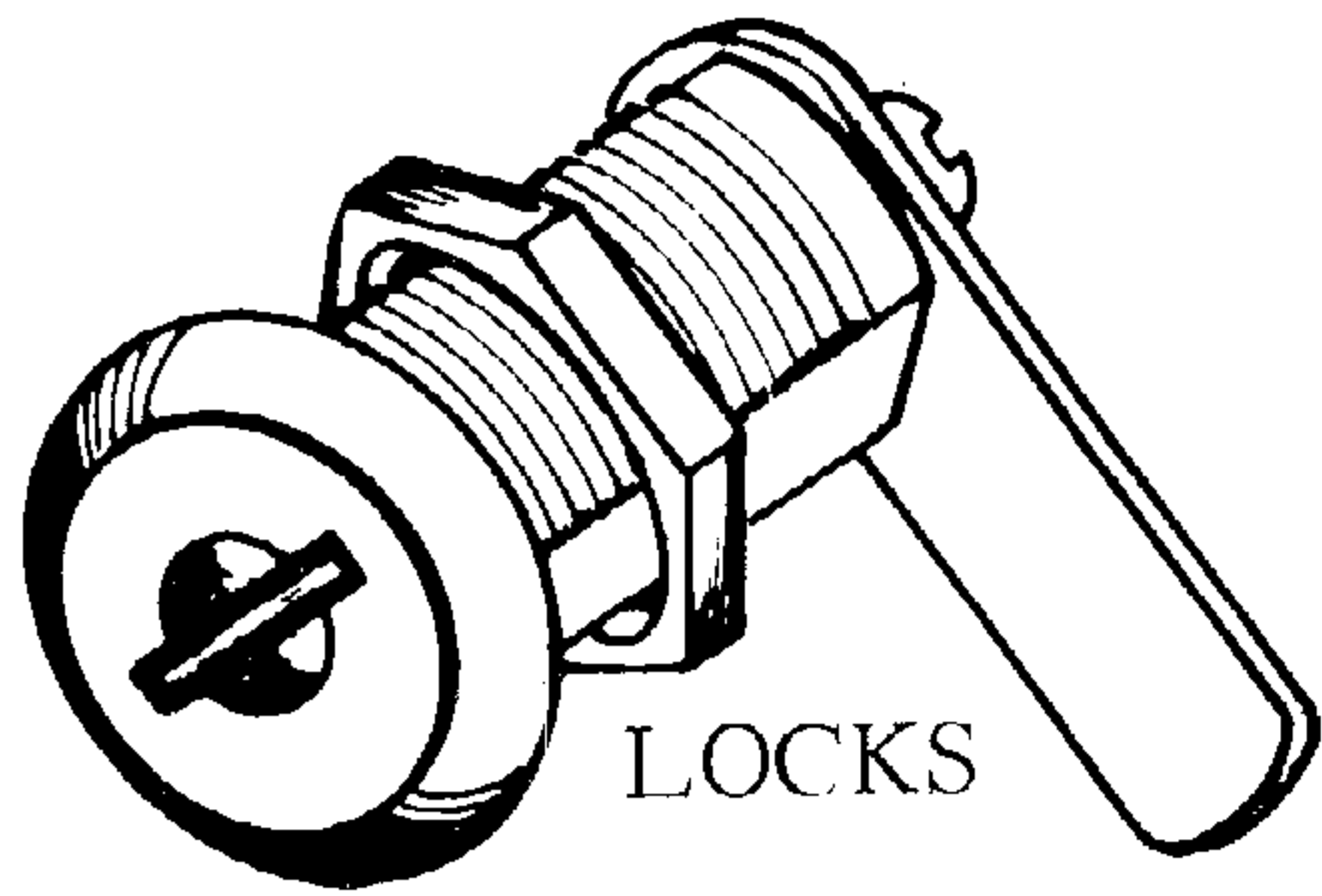
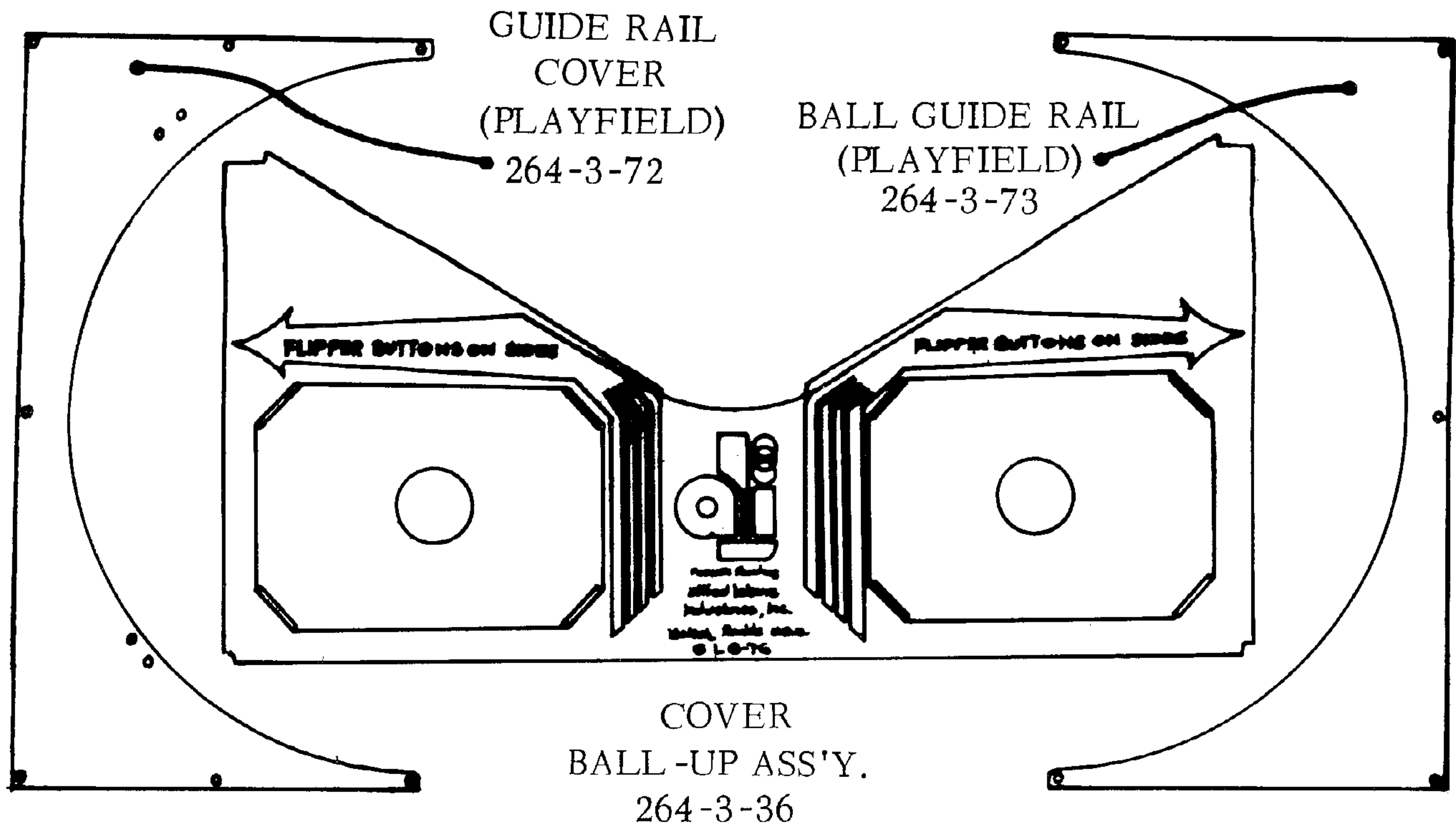
ON - OFF SWITCH 235-1-34



235-9-10  
ON - OFF SWITCH

235-3-100  
SWITCH PLATE - ON - OFF



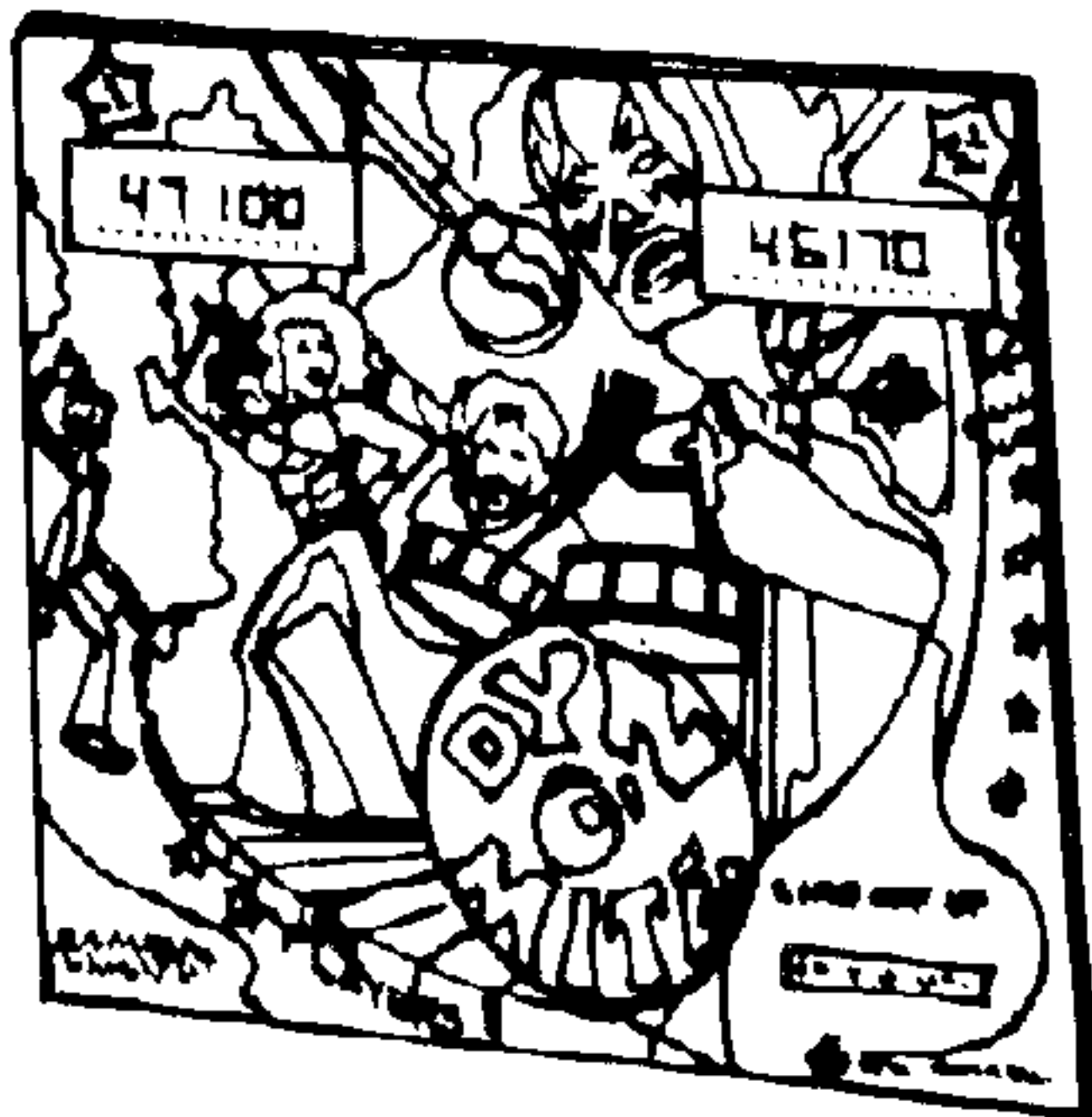


POSITION

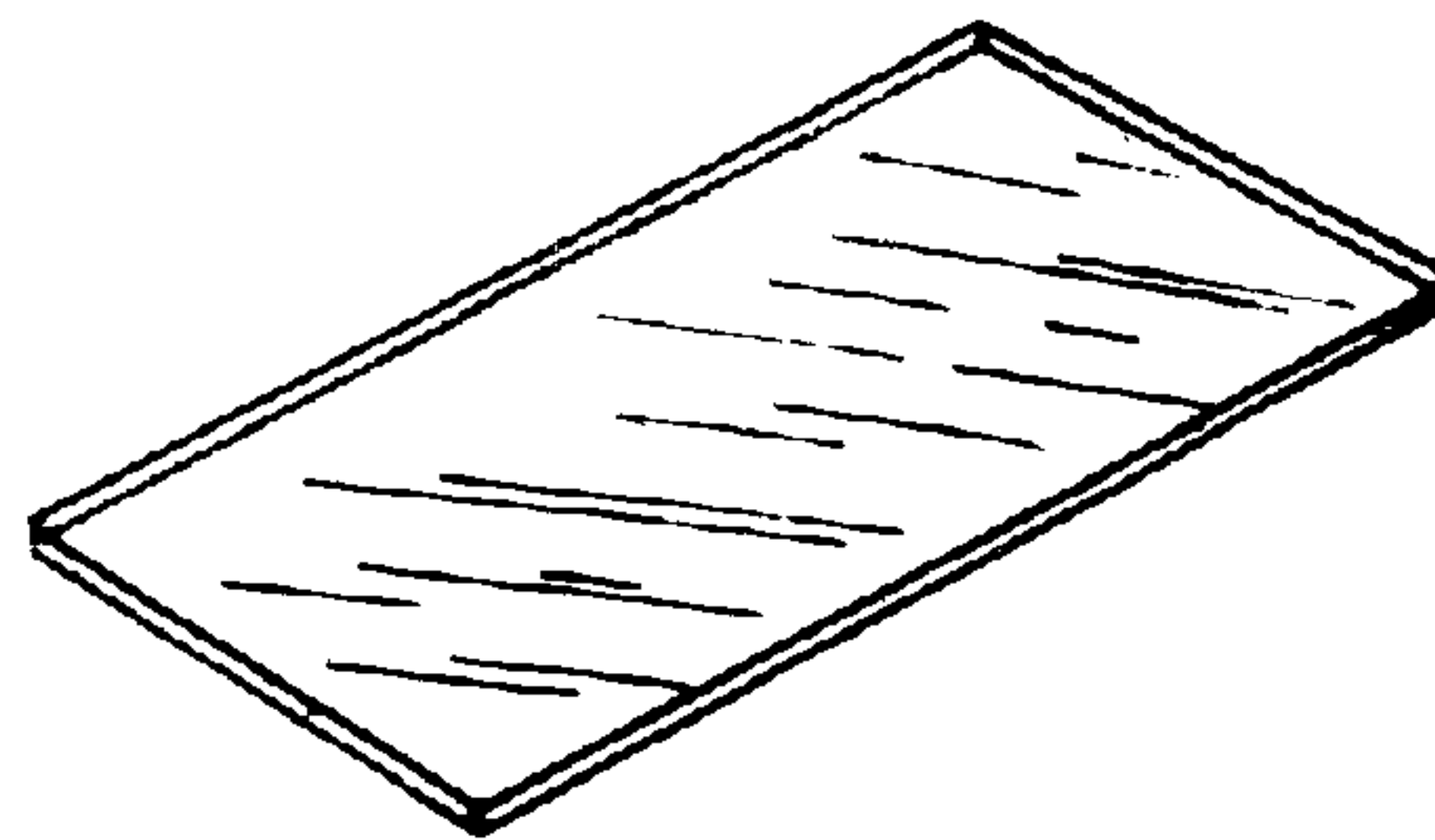
SCORE CABINET GLASS  
CASH BOX  
REAR DOOR

P/N (ALLIED'S)

264-8-3  
235-8-45  
235-8-44

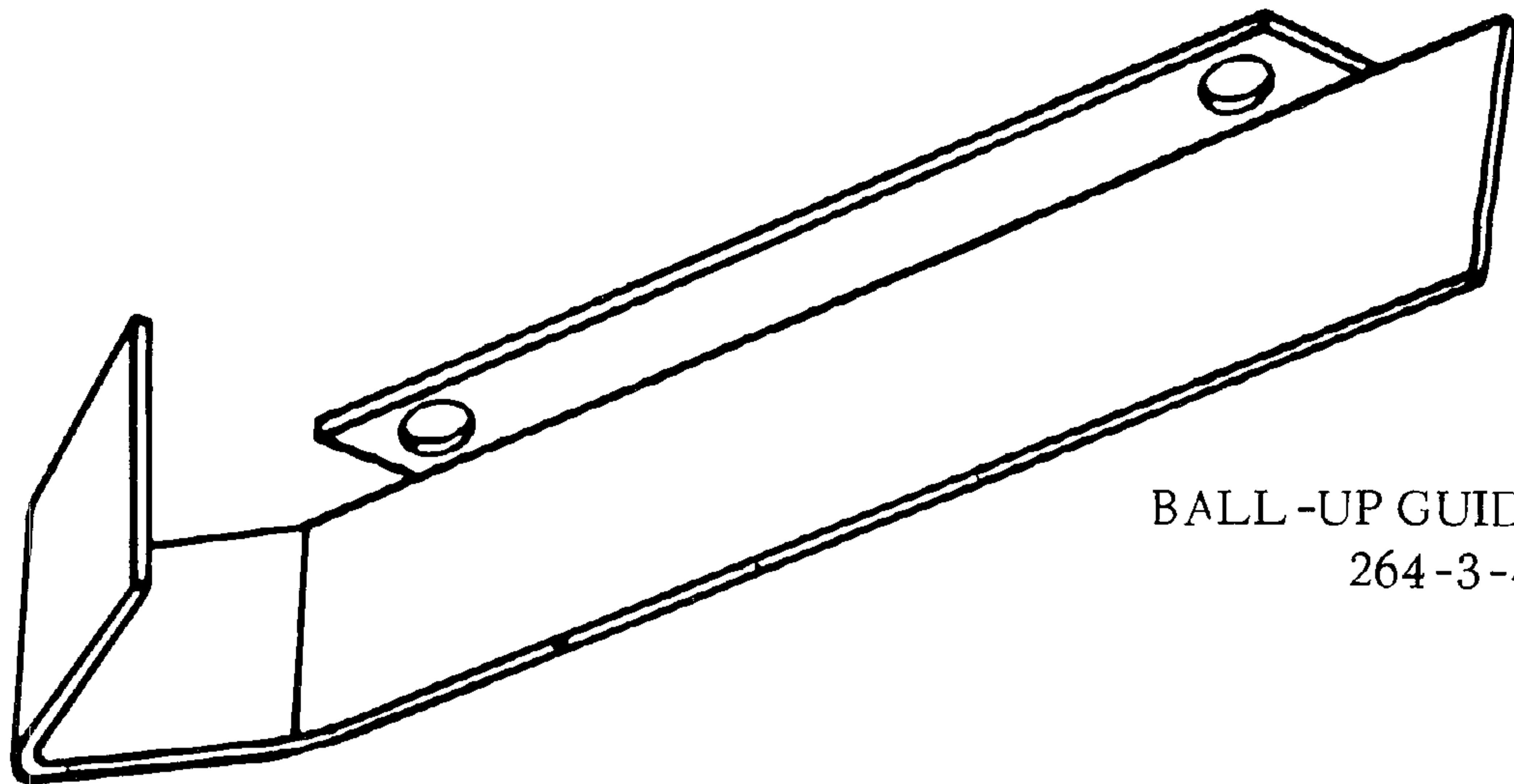


SCORE GLASS 264-6-9

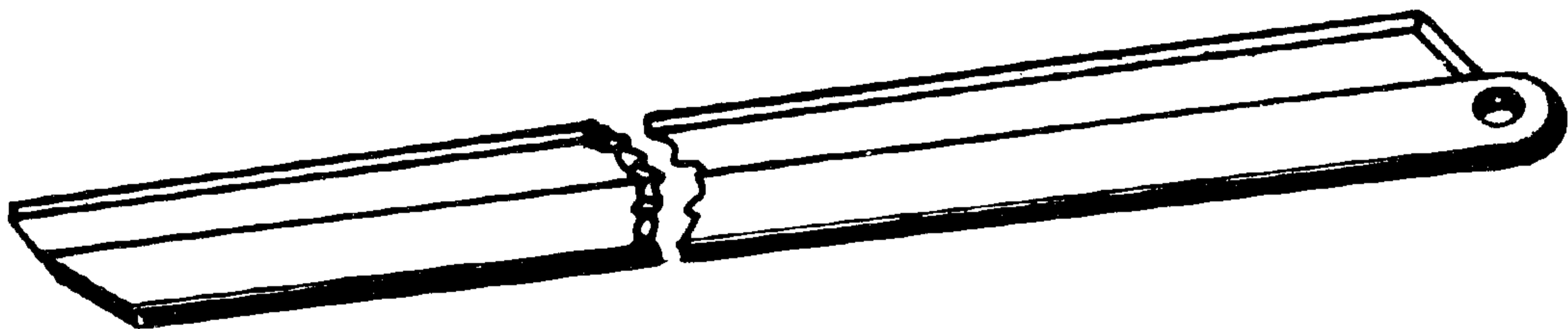


PLAYFIELD GLASS

TEMPERED  
W/POLISHED EDGES  
264-8-43  
21" x 43" x 3/16"

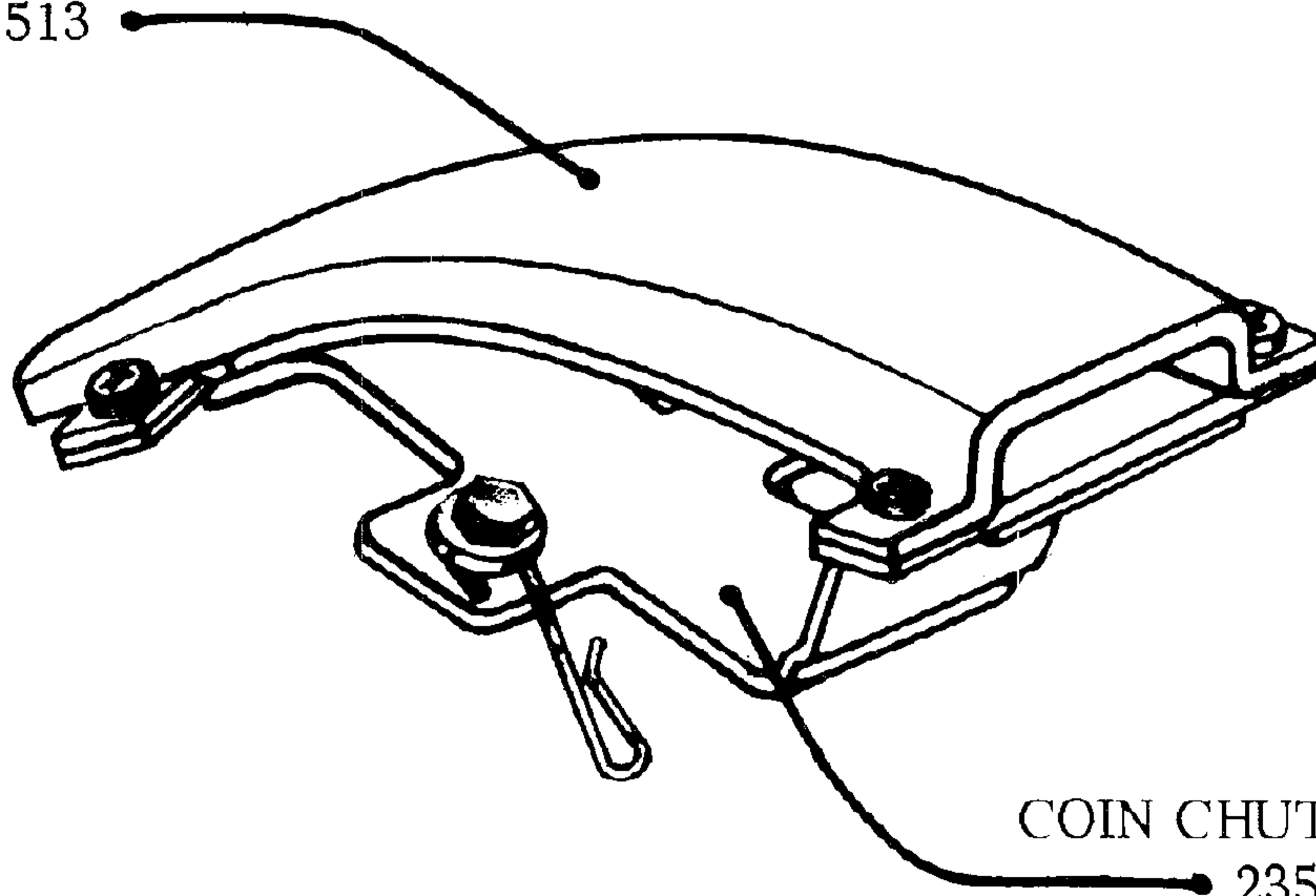


BALL-UP GUIDE RAIL #1  
264-3-45



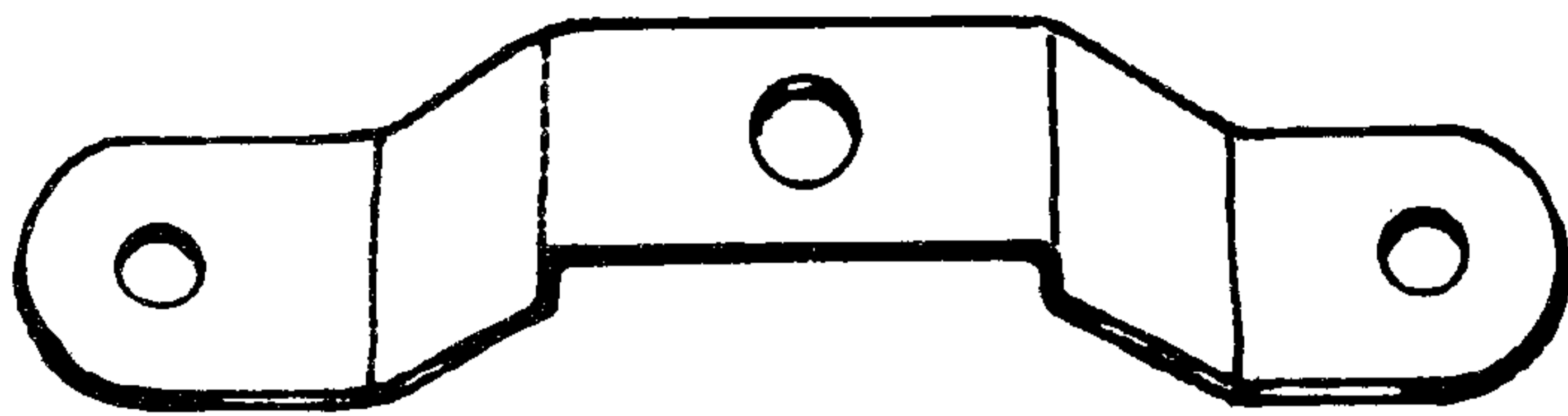
SERVICE  
SUPPORT BAR (PLAYFIELD)  
264-3-27

COIN CHUTE TRACK  
235-3-513

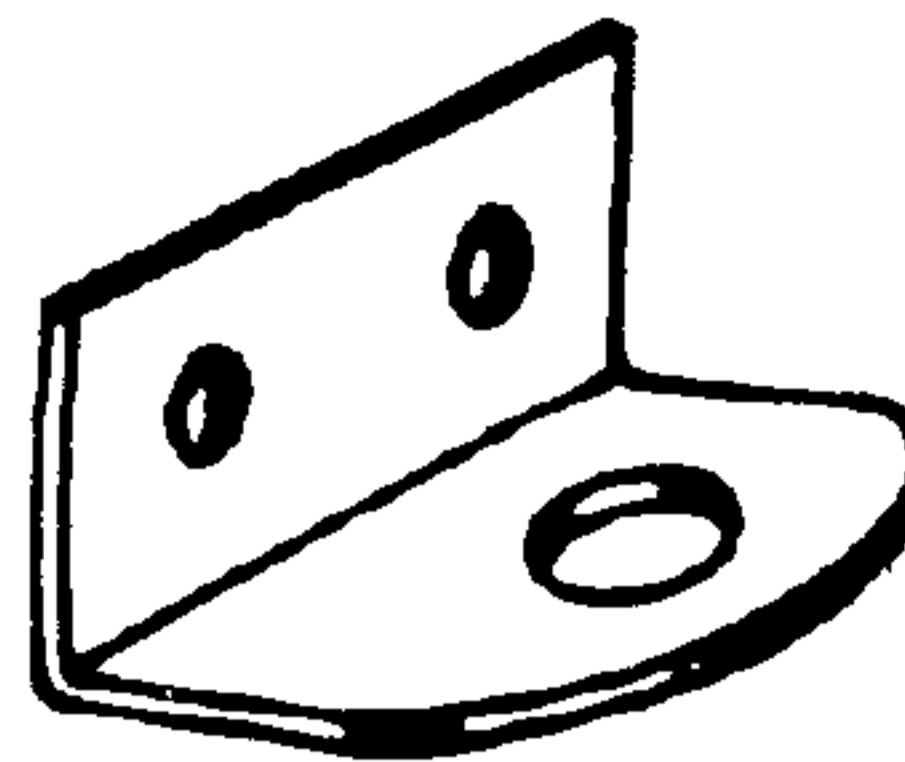


COIN CHUTE WELD ASSY.  
235-1-503

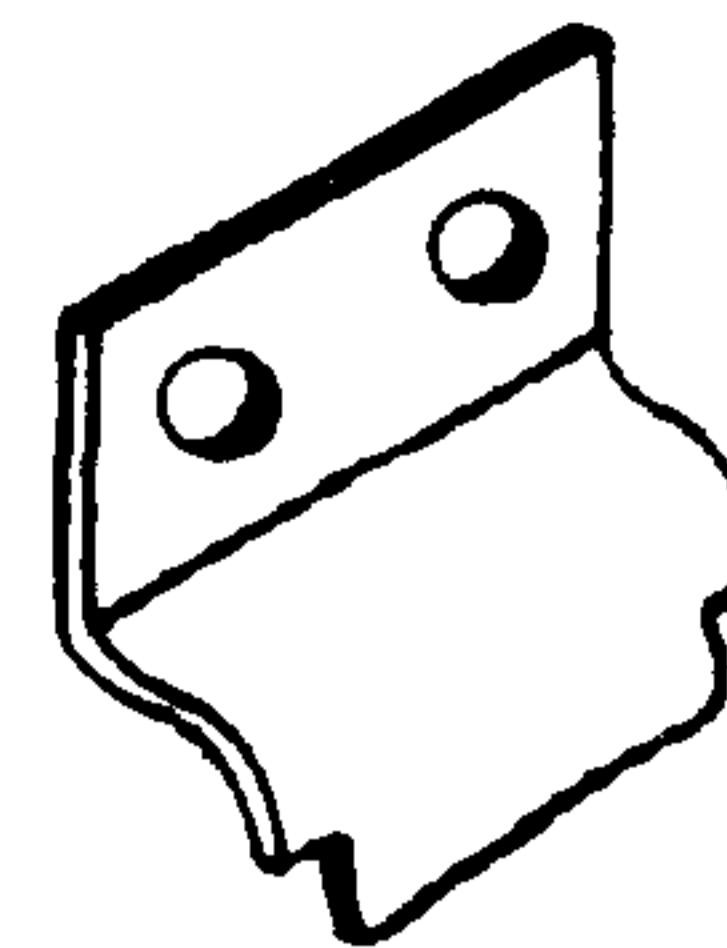
COIN CHUTE ASSY.  
235-1-505



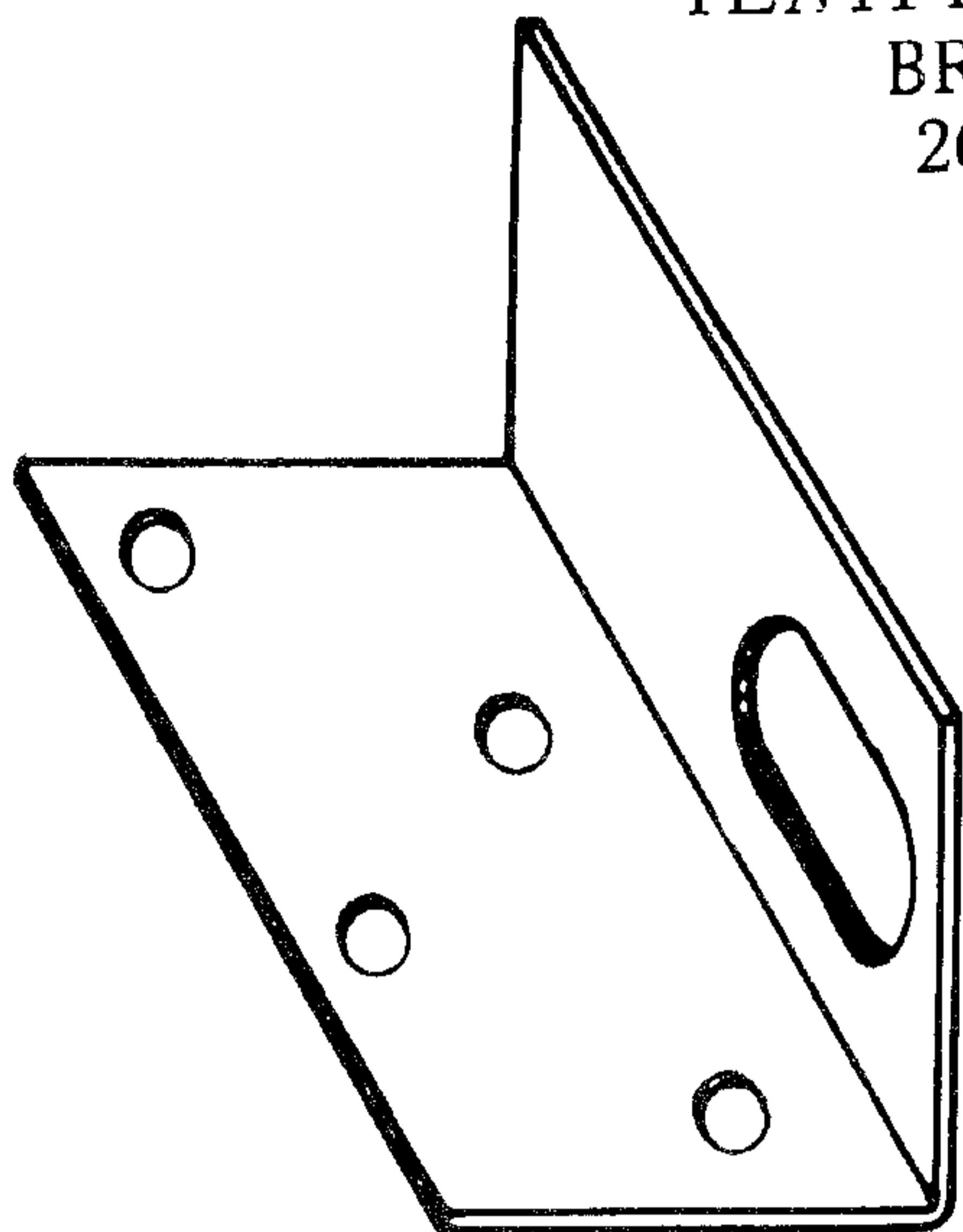
PLAYFIELD SUPPORT  
BRACKET,  
264-3-65



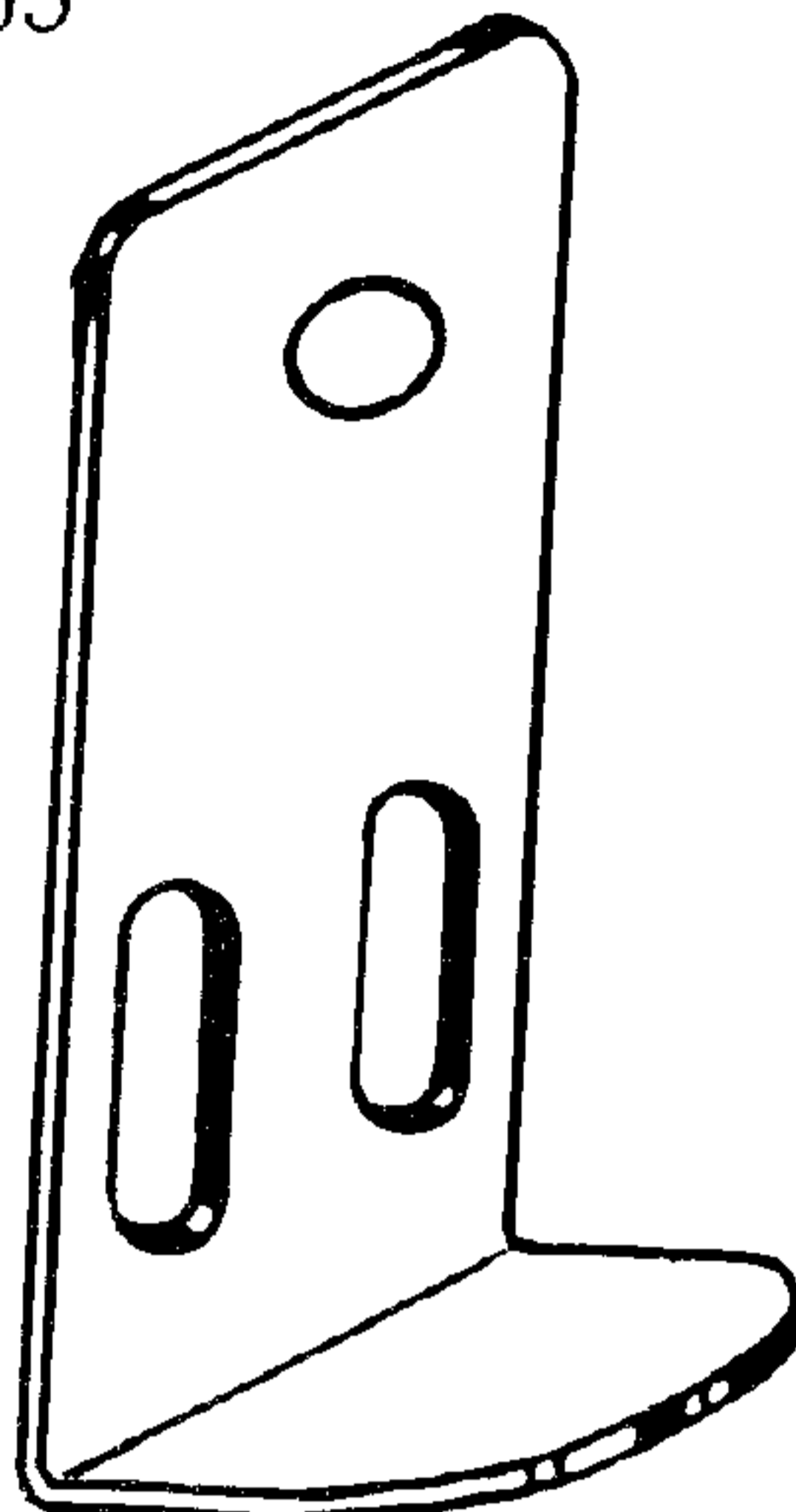
BALL-UP  
HOLD-DOWN COVER  
BRACKET  
264-3-35



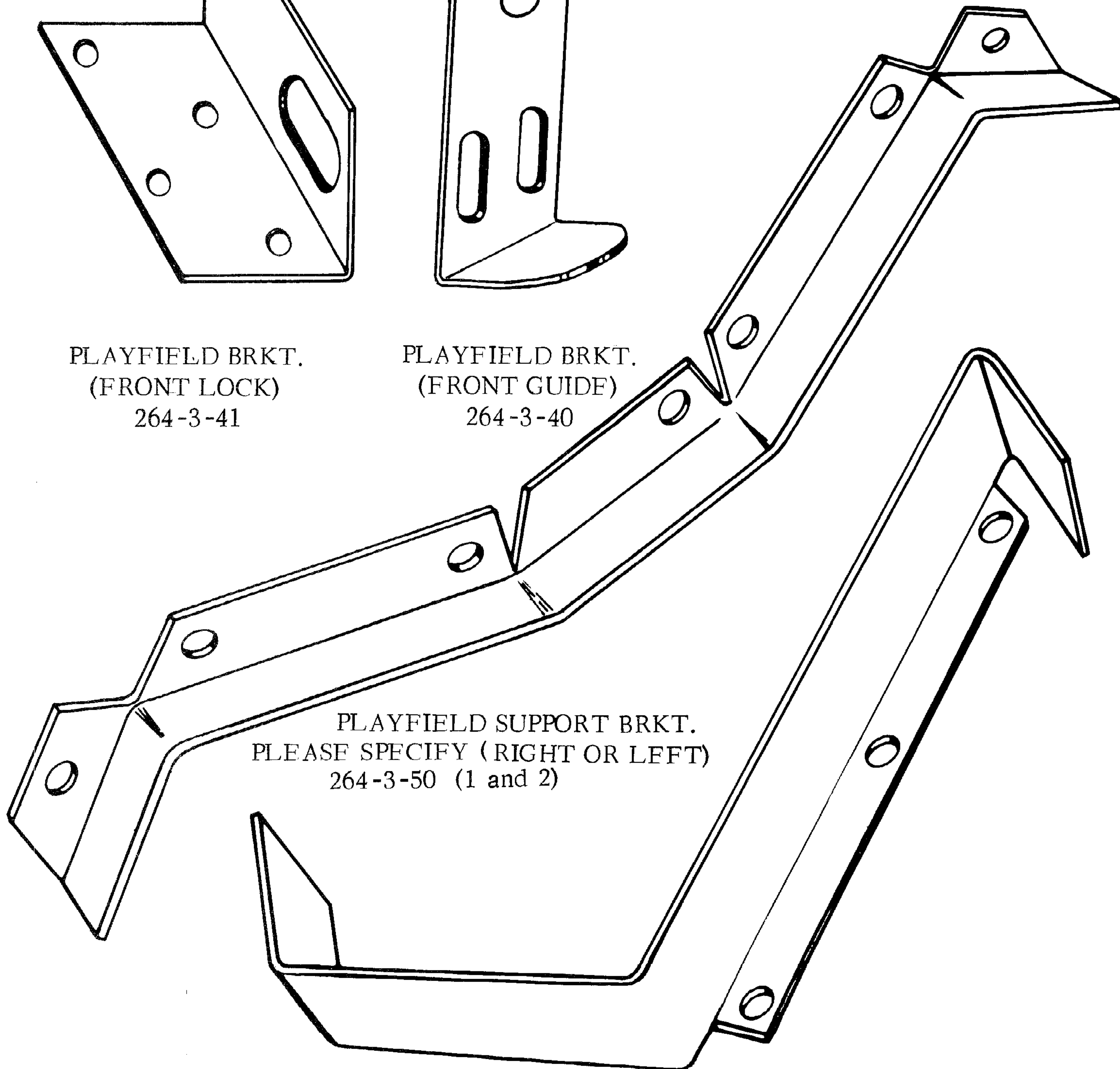
BALL-UP  
HOLD-DOWN  
COVER  
BRACKET  
264-3-34



PLAYFIELD BRKT.  
(FRONT LOCK)  
264-3-41

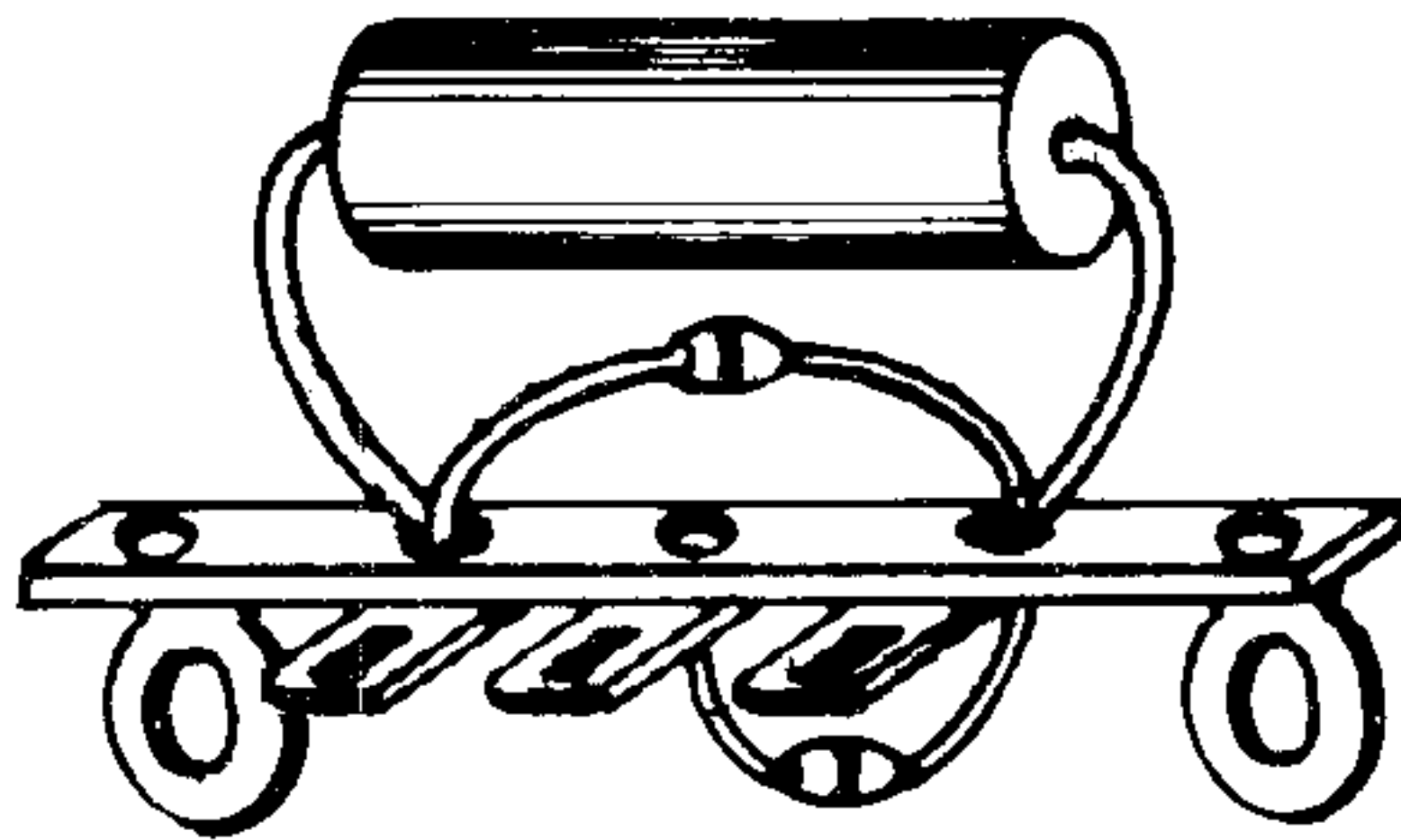


PLAYFIELD BRKT.  
(FRONT GUIDE)  
264-3-40

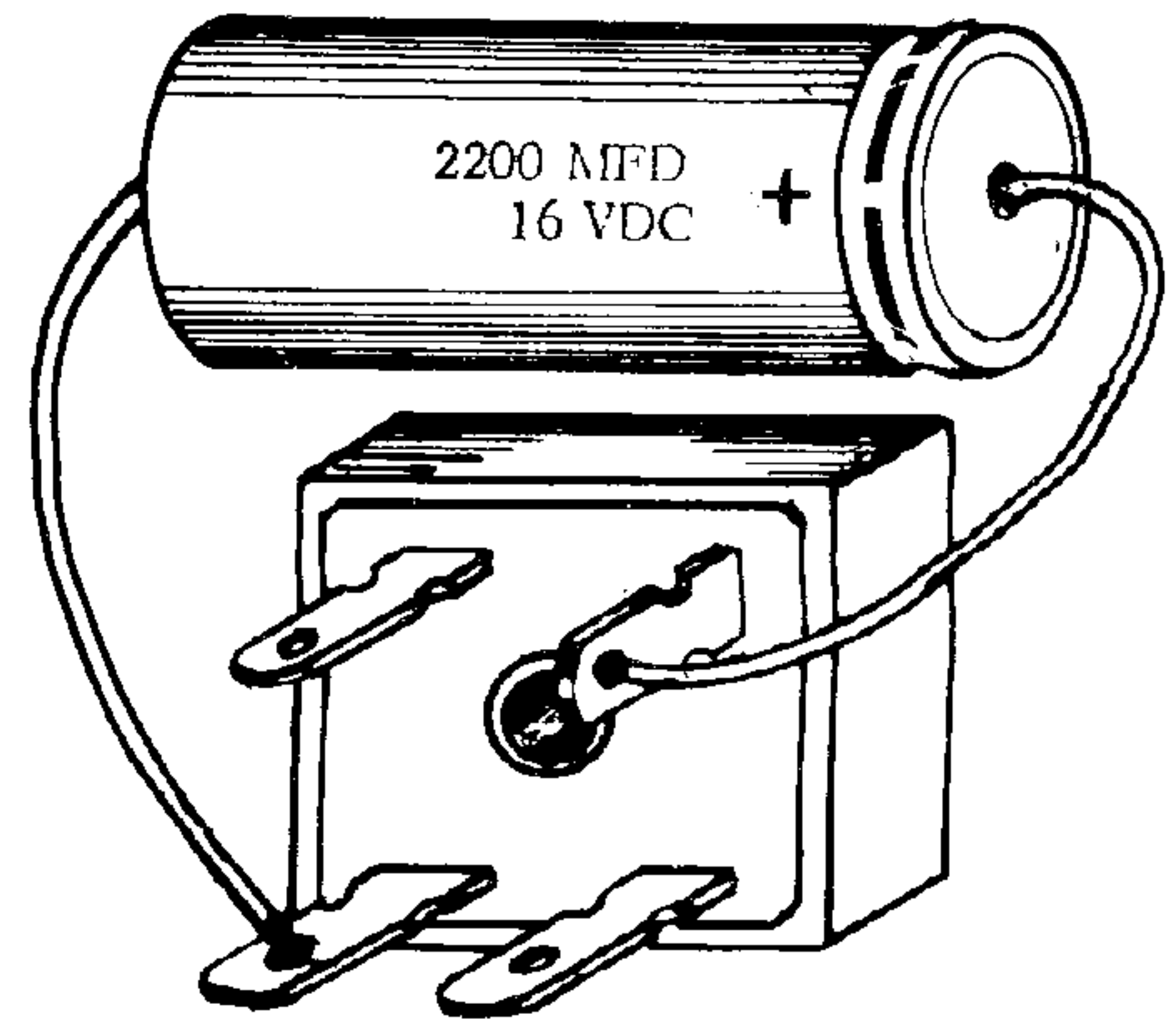


PLAYFIELD SUPPORT BRKT.  
PLEASE SPECIFY (RIGHT OR LEFT)  
264-3-50 (1 and 2)

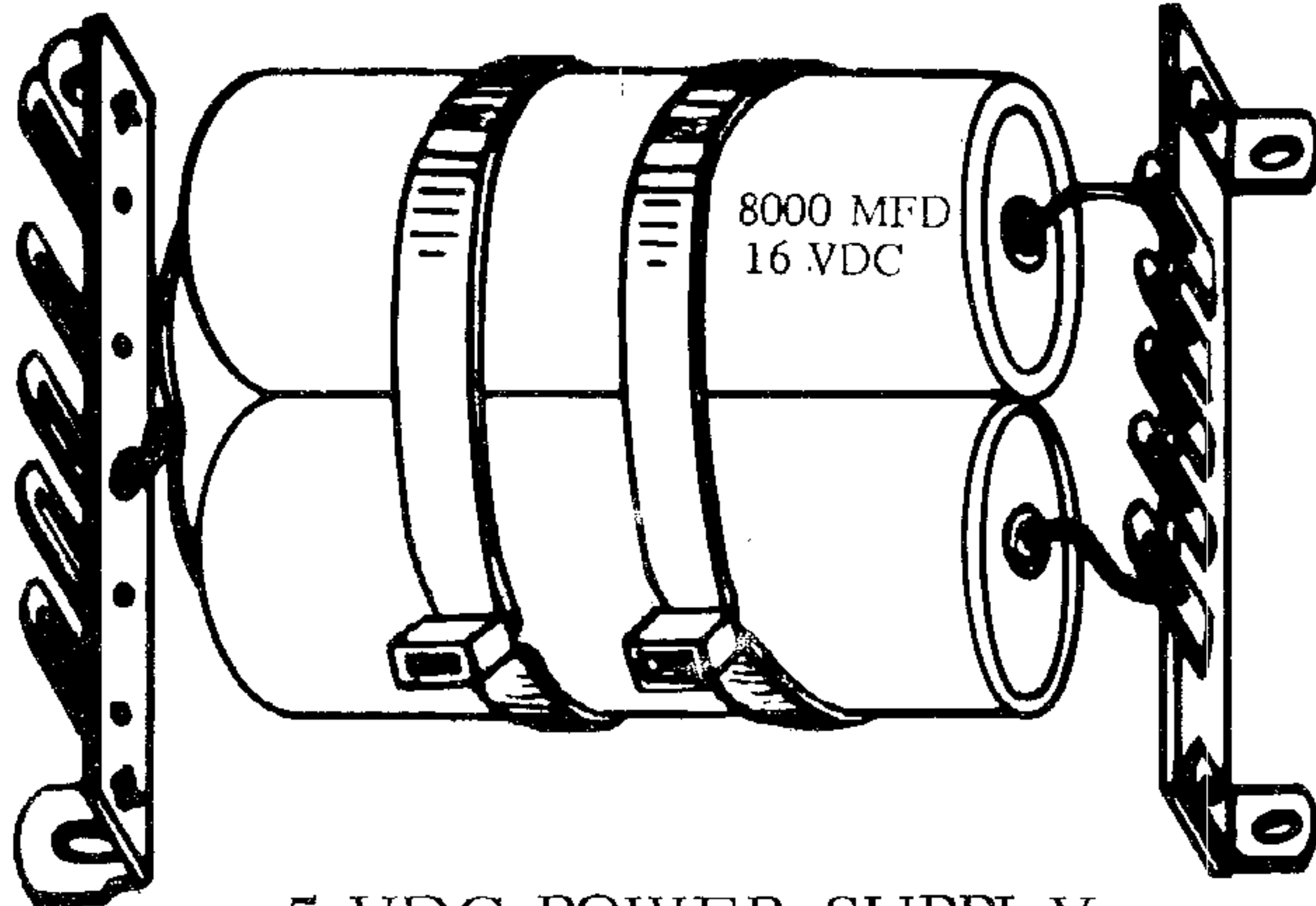




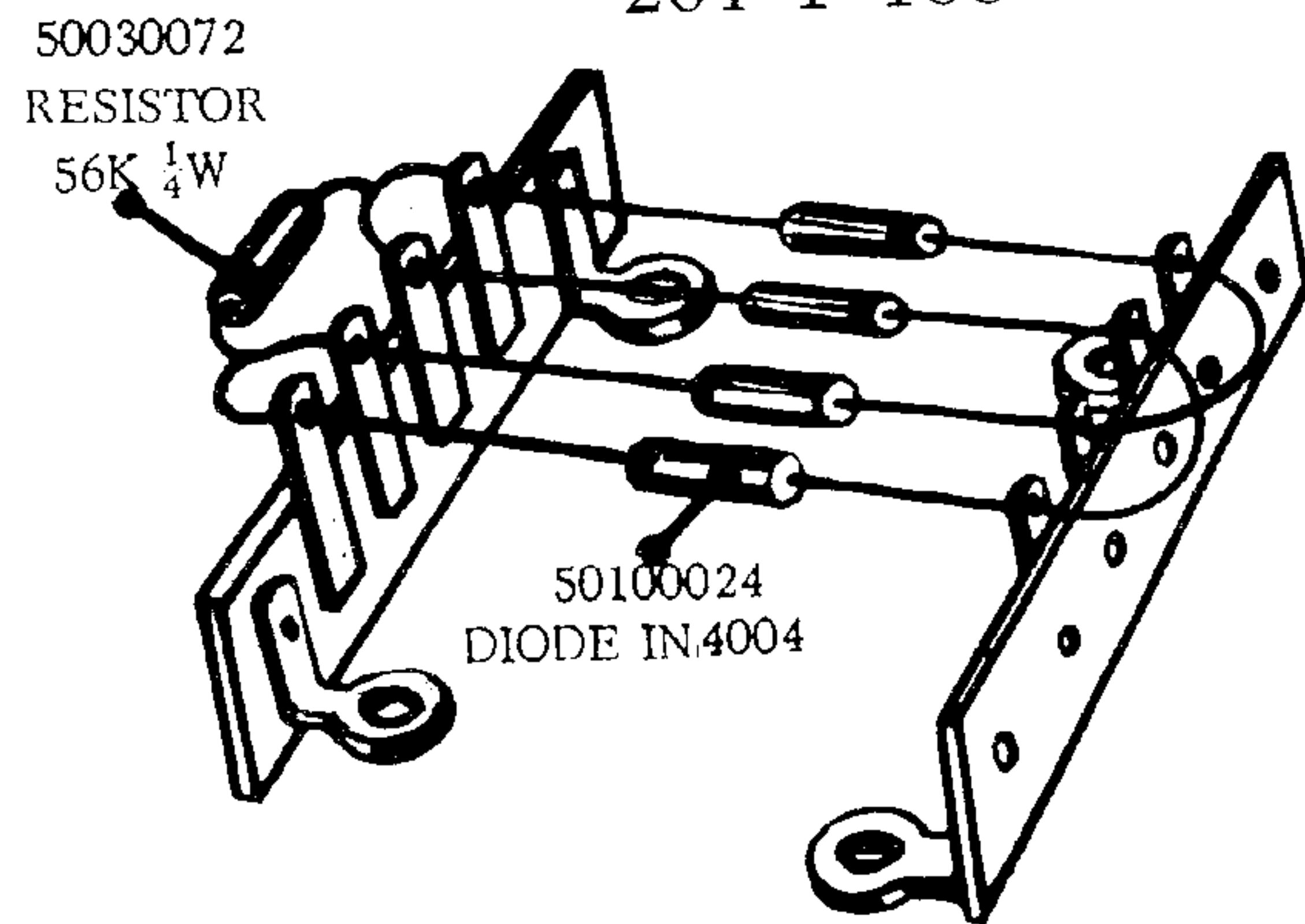
264-1-165  
DIODE, CAPACITOR ASS'Y.  
(FLIPPER COIL)



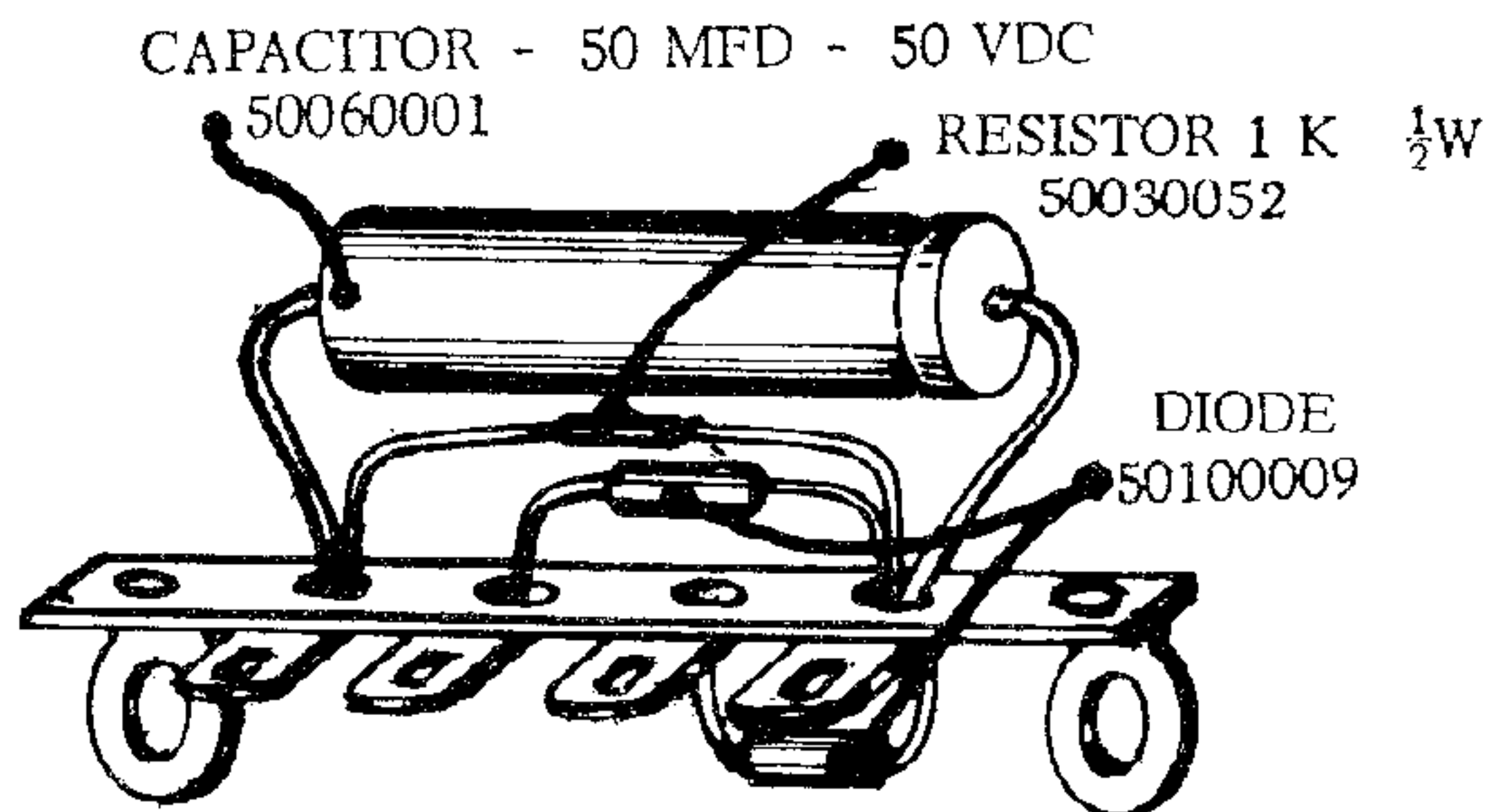
7.5 V FULL WAVE  
RECTIFIER BRIDGE ASS'Y.  
264-1-106



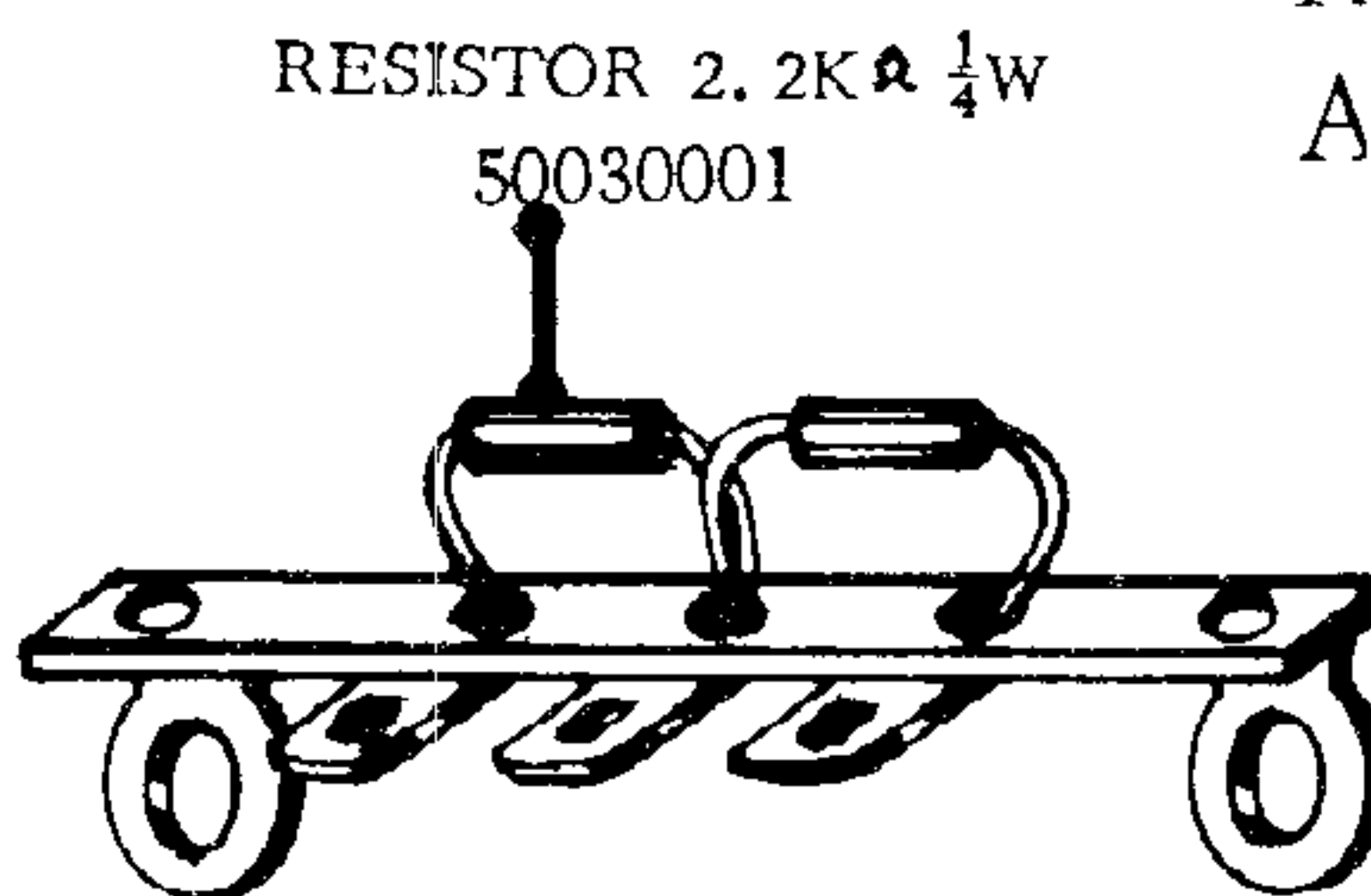
5 VDC POWER SUPPLY  
FILTER ASS'Y.  
264-1-108



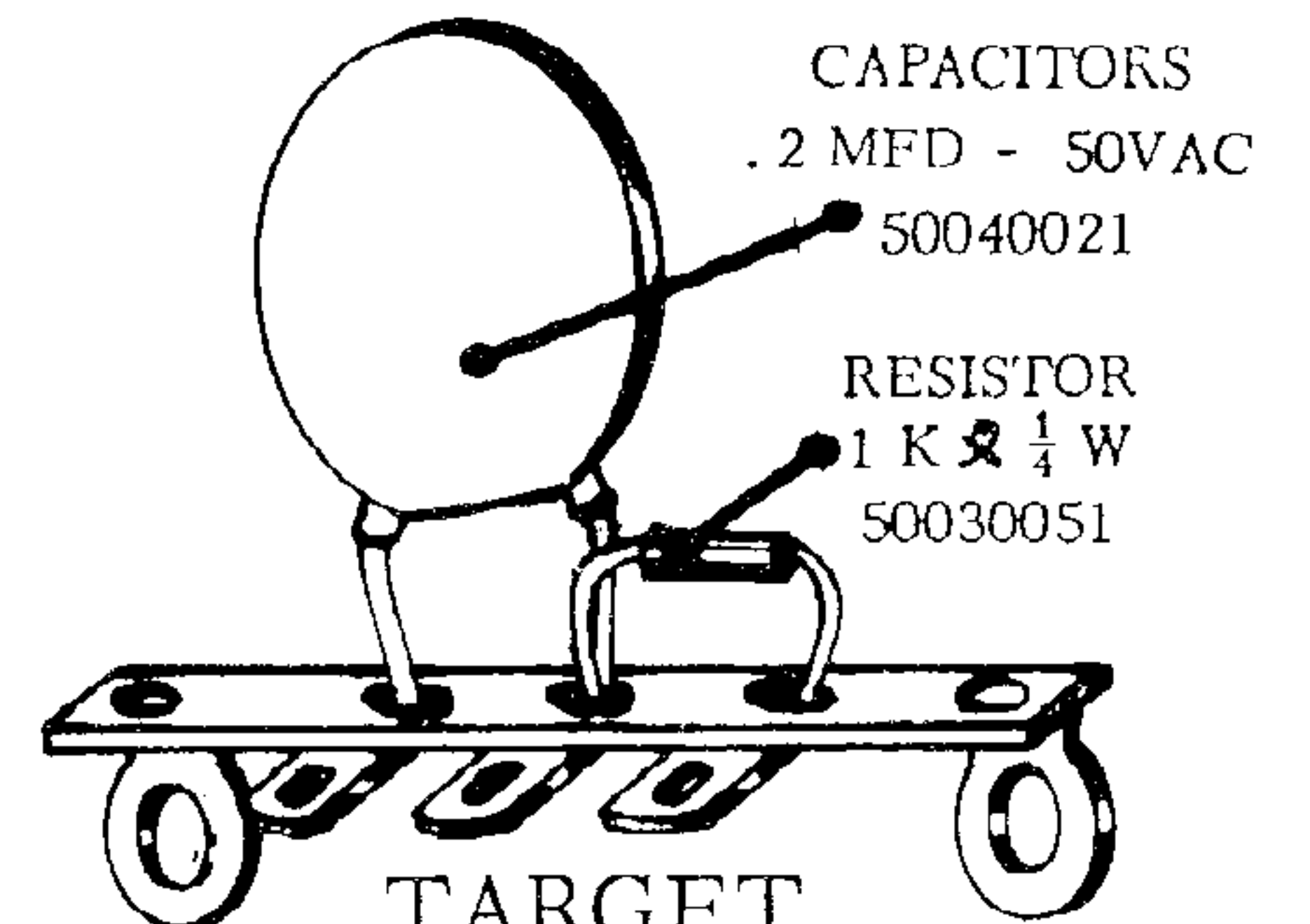
RECTIFIER BRIDGE  
ASS'Y. 264-1-109



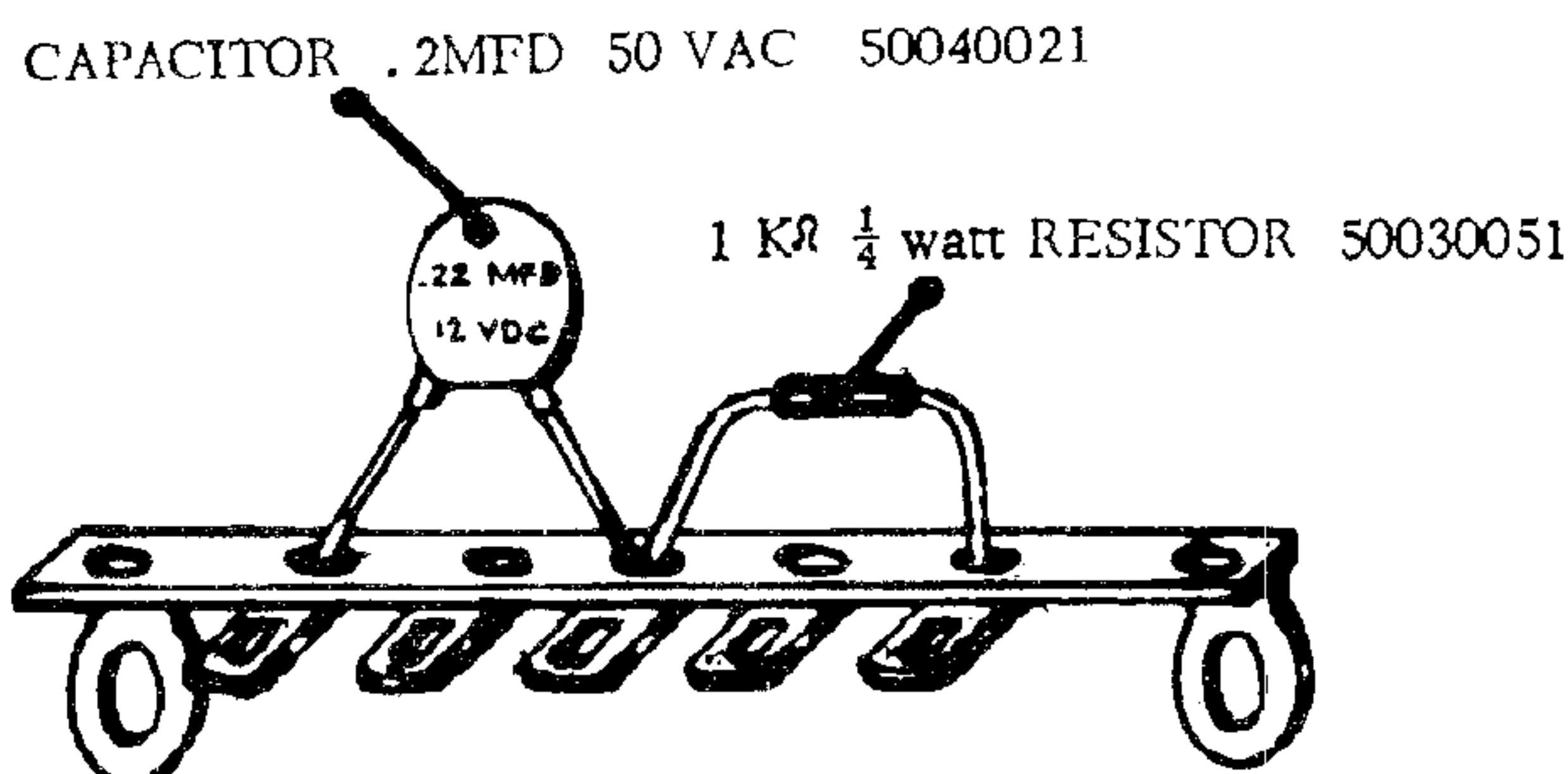
POWER OFF REFERENCE CK'T.  
264-1-167



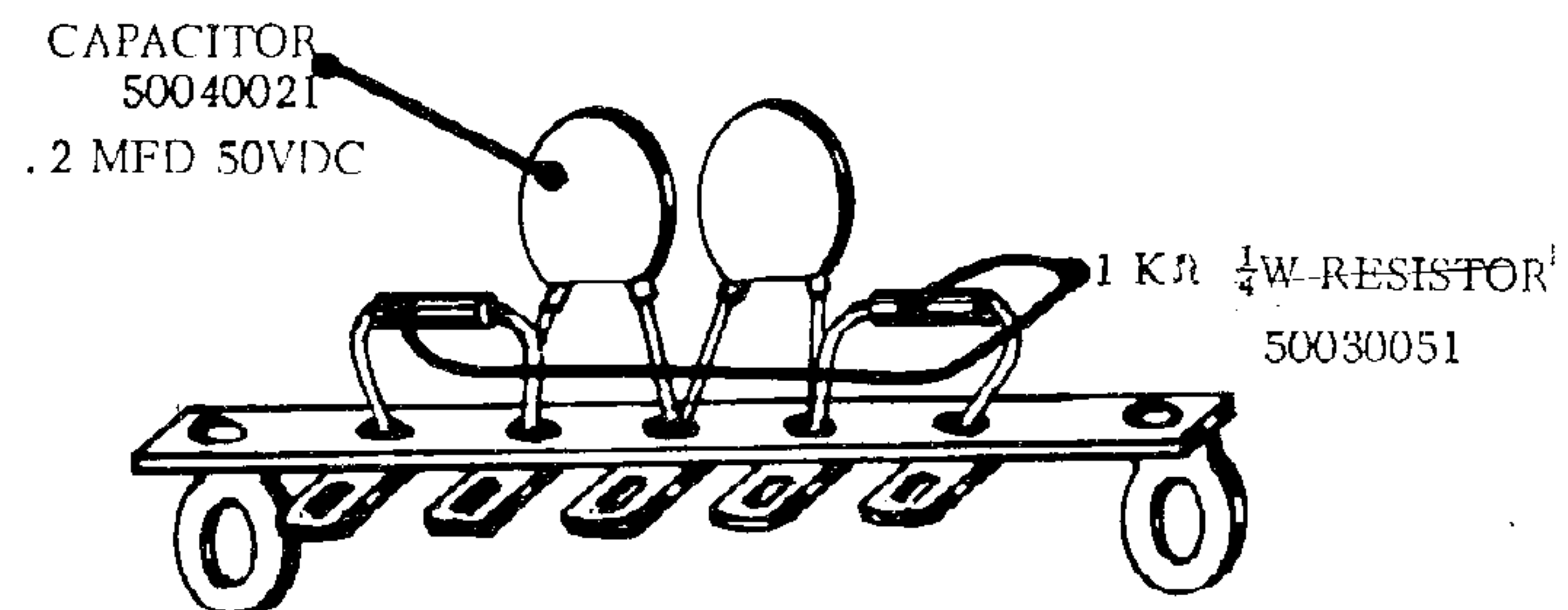
CREDIT DISPLAY  
CIRCUIT  
(CURRENT LIMITER)  
264-1-150



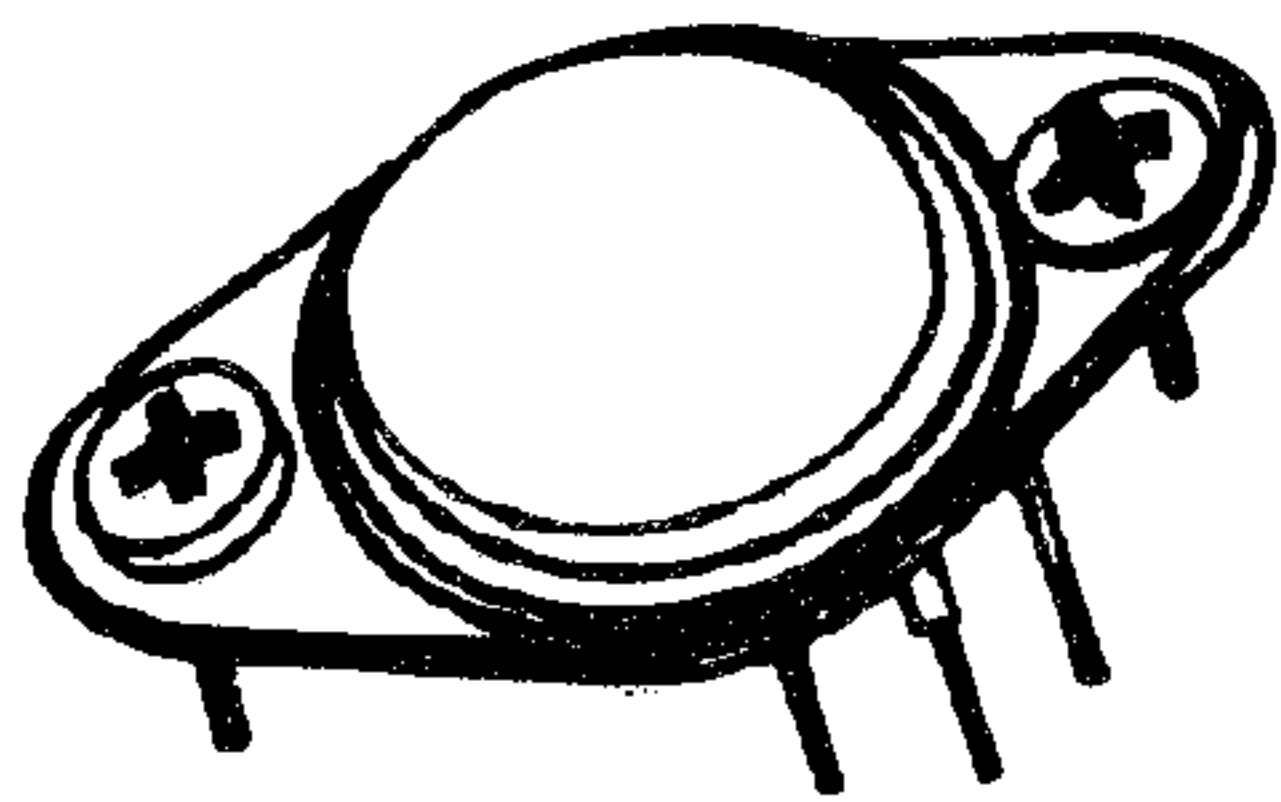
TARGET  
PULL UP SEQUENCER  
CIRCUIT 264-1-151



FEATURE SELECTOR CIRCUIT  
264-1-149

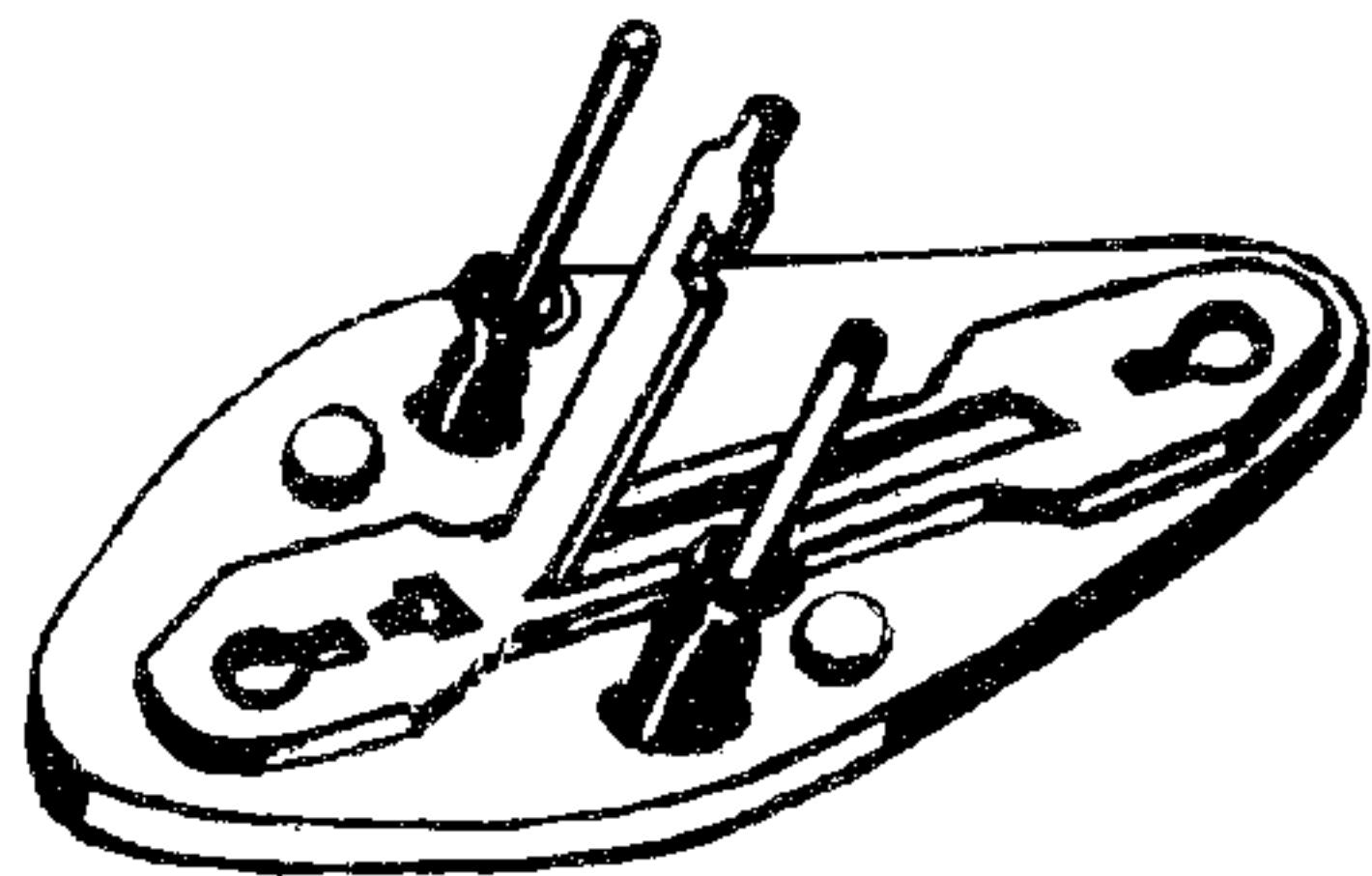


FILTER CIRCUIT CREDIT SWITCH  
264-1-148



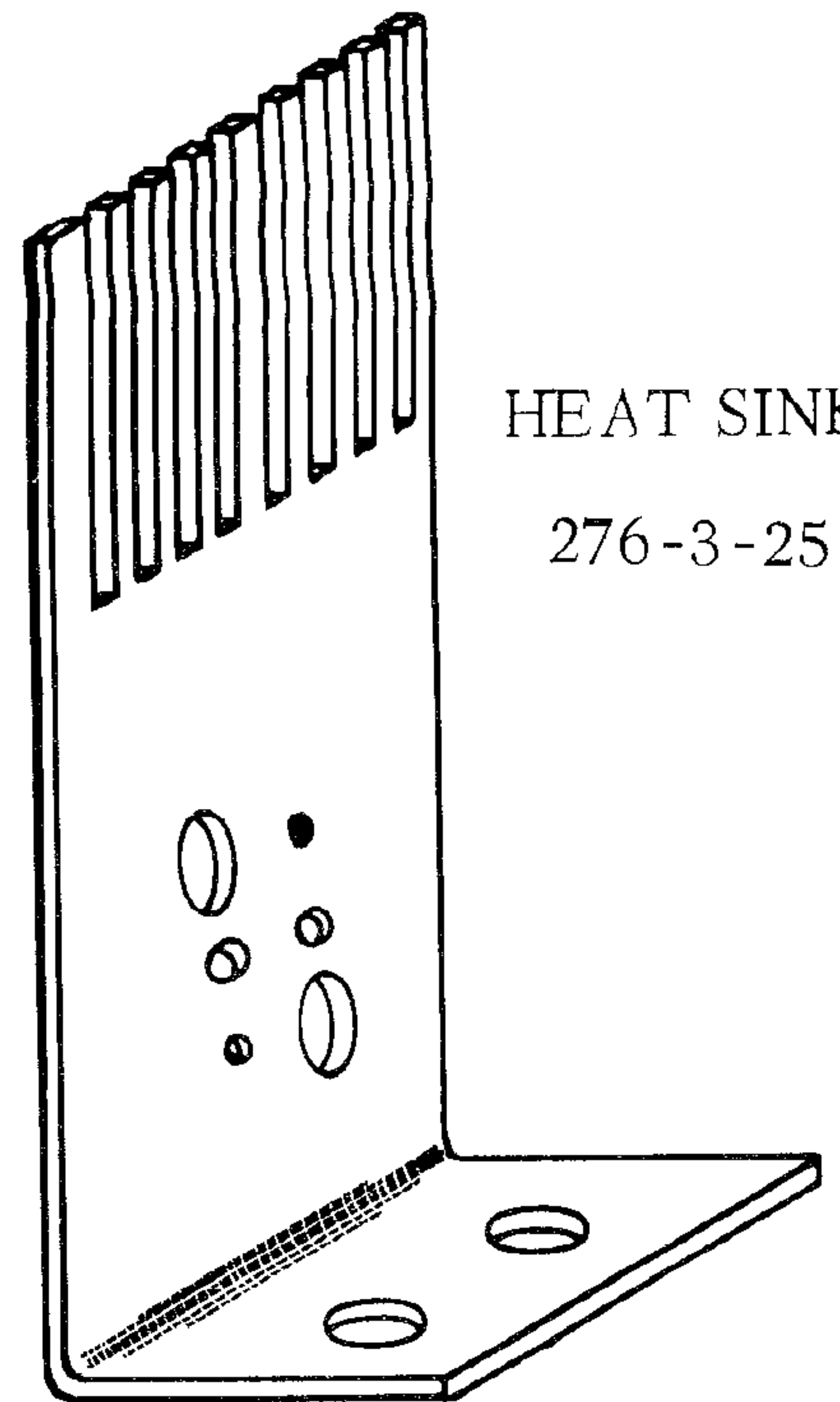
REGULATOR 5 V 78H05

50020033



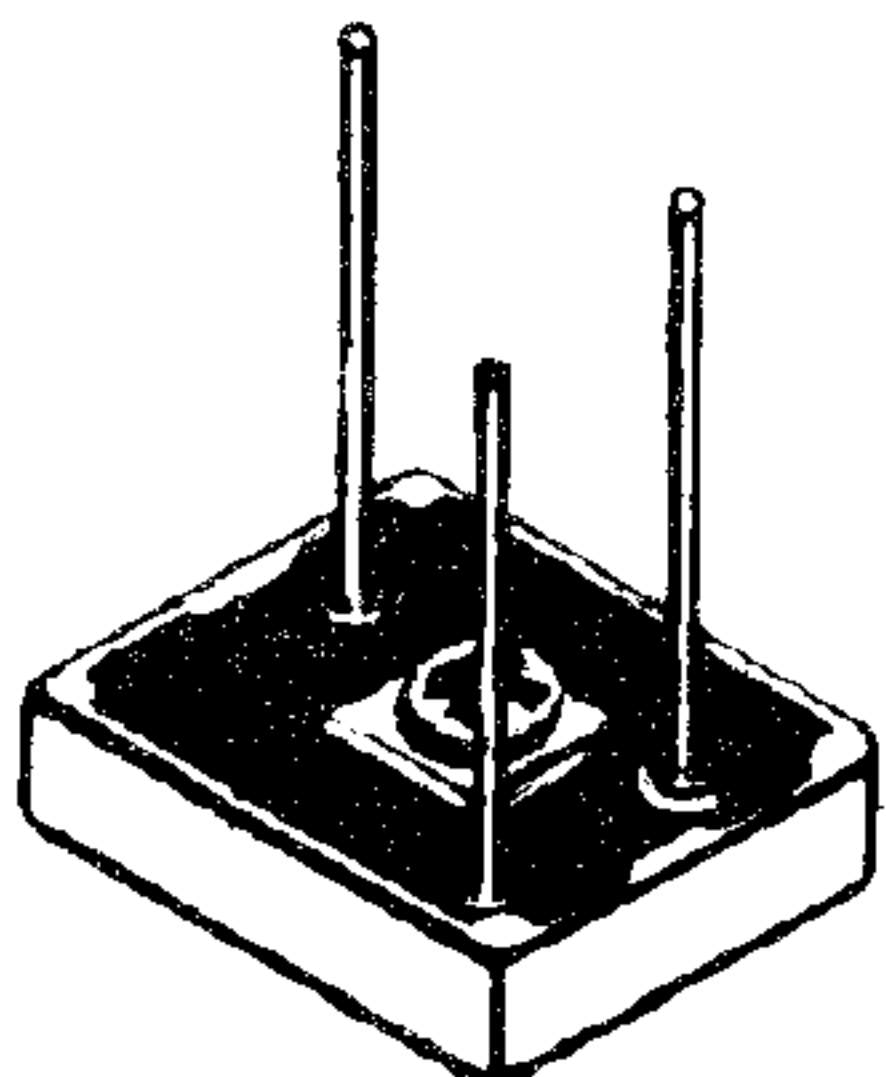
POWER TRANSISTOR  
SOCKET

50020036



HEAT SINK

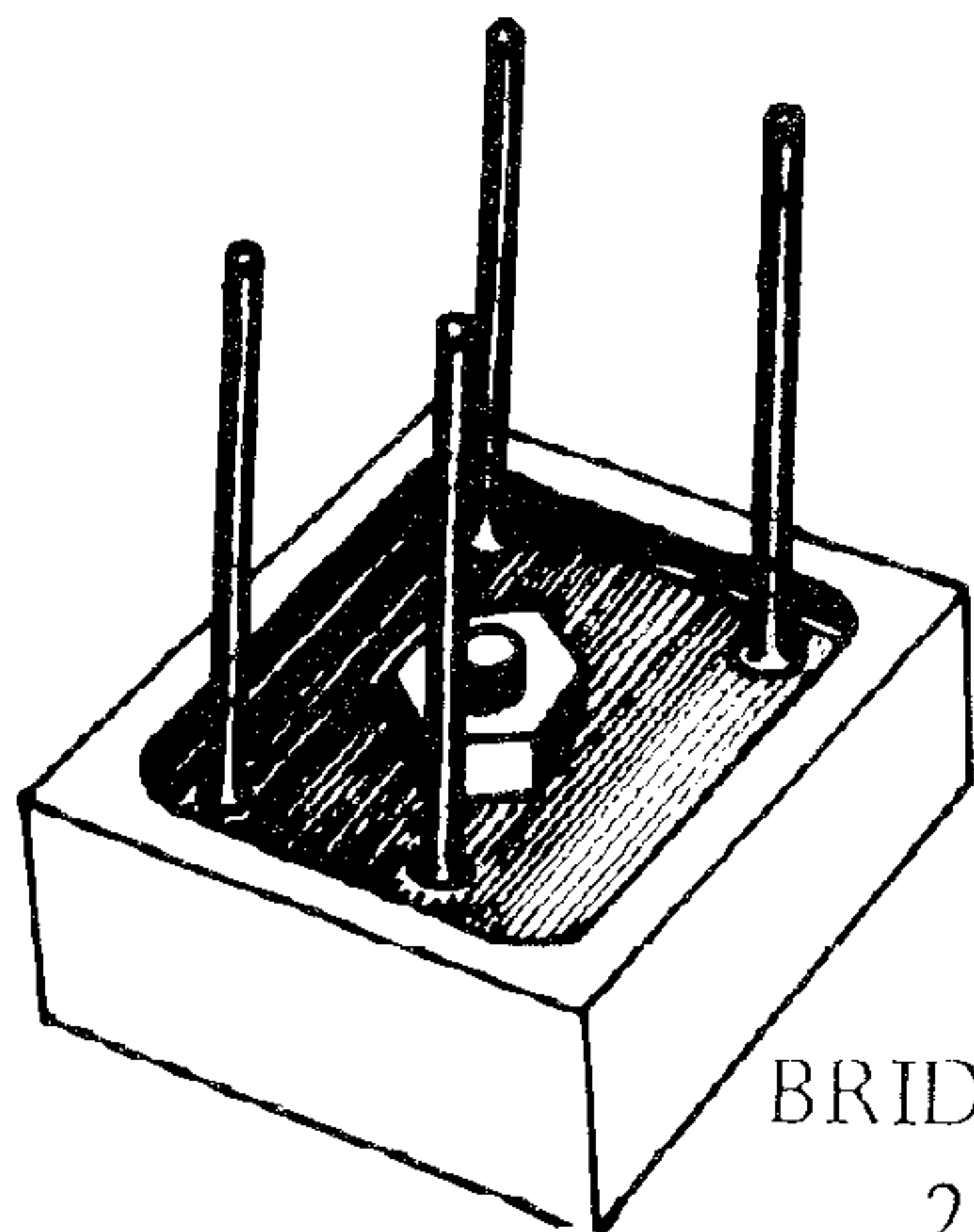
276-3-25



FULL WAVE RECTIFIER

18 VDC @ 6 AMP

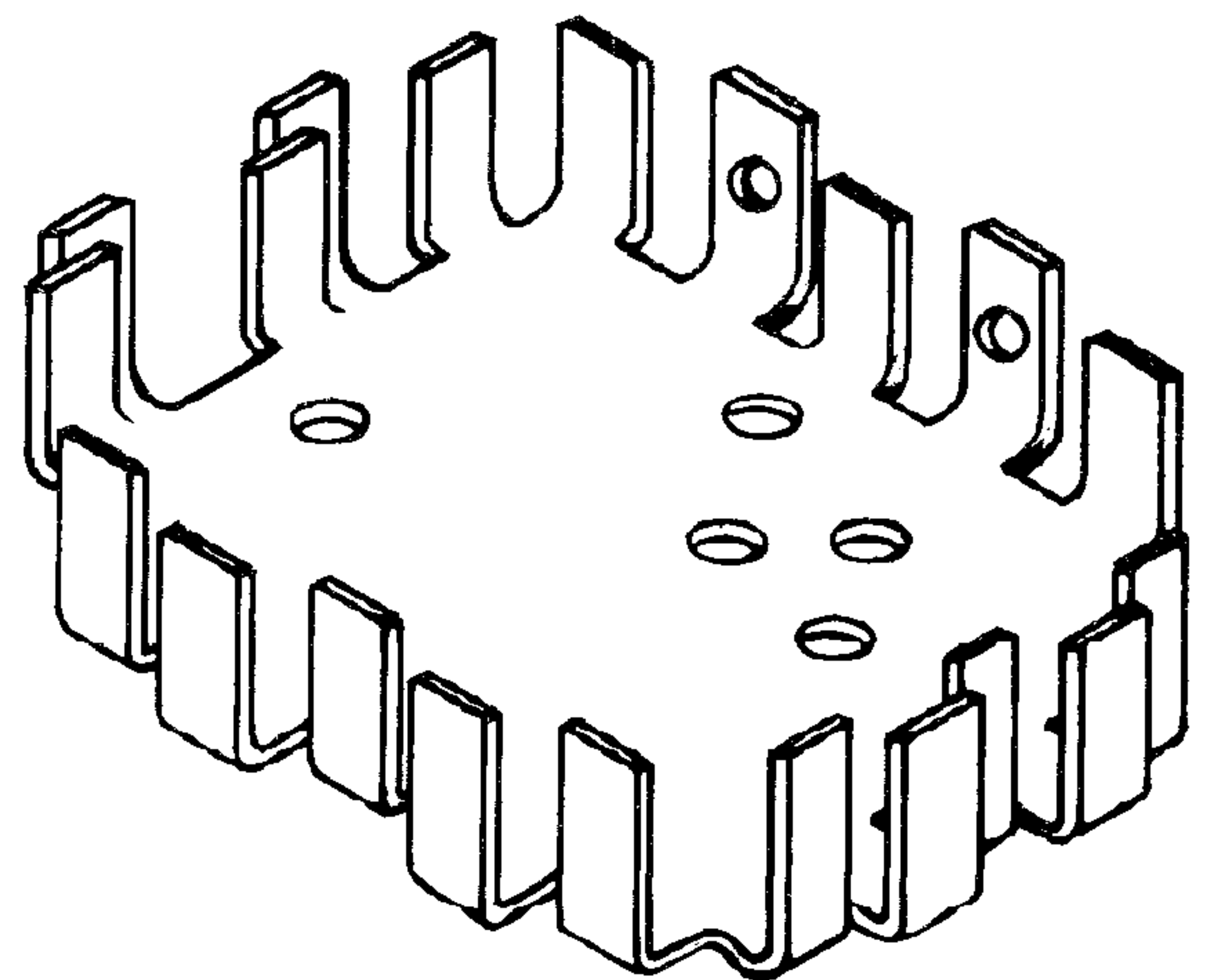
50290001



BRIDGE RECTIFIER

25 Amp

50100031



HEAT SINK

50090003

**ALLIED  
LEISURE  
INDUSTRIES  
INC.**

**245 W. 74TH PLACE  
HIALEAH, FLA.**

