

TABLE OF CONTENTS

JUNE - 1976	DATE OF LATEST ISSUE	<u>PAGE</u>
INSTRUCTION CARDS FRONT GLASSES PRICE CARDS P.C. BOARDS	JUNE 76	A
PLAYFIELD ASS'Y. TOP 264-1-5	APRIL 76	B
PLAYFIELD ASS'Y. TOP 292-1-5	JUNE 76	B1
COIN DOOR (2) ACCEPTOR	JUNE 76	C
FLIPPER ASS'Y. L.H. & R.H.	JUNE 76	D
FLIPPER ASS'Y. L.H. & R.H.	JUNE 76	D1
THUMPER BUMPER ASS'Y.	APRIL 76	E
BALL KICKER ASS'Y.	JUNE 76	F
REBOUND KICKER ASS'Y.	APRIL 76	G
CHIME ASS'Y. #2 (TYPE A)	APRIL 76	H
CHIME ASS'Y. #2 (TYPE C)	JUNE 76	H1
DROP TARGET ASS'Y. #1	APRIL 76	I
GATE ASS'Y.	JUNE 76	J
BULLS-EYE SCORE TARGET BALL PLUNGER ASS'Y.	APRIL 76	K
KNOCKER ASS'Y. FLIPPER SWITCH ASS'Y. SINGLE BULLS EYE BRACKET	APRIL 76	L

JUNE - 1976

TABLE OF CONTENTS

	DATE OF LATEST ISSUE	<u>PAGE</u>
TOP GLASS HOLD-DOWN ASS'Y. FRONT GLASS LOCK ASS'Y.	APRIL 76	M
ROLL OVER SWITCHES CREDIT SWITCH ASS'Y.	APRIL 76	N
ROLL TILT ASS'Y. LEG - CABINET SCORE GLASS EXTRUSION	APRIL 76	O
REBOUND BUMPER ASS'Y. BUMPER ASS'Y. SPRING (ALTERNATE) BALL GUIDE WEAR PLATE COVER, BALL PLUNGER	APRIL 76	P
CASH BOX & LID PLAYFIELD BUMPER #6 x 1 1/2 PH/WS POST SCREW	APRIL 76	Q
LAMPS & SOCKETS	APRIL 76	R
FUSE HOLDER COILS SLEEVES PLUNGERS FUSES	JUNE 76	S
COUNTER TRANSFORMER RELAY WITH DIODE LINE FILTER AC RECEPTACLE DIODES ON-OFF SWITCH	JUNE 76	T

JUNE 76

TABLE OF CONTENTS

DATE OF LATEST ISSUE

PAGE

GUIDE RAIL COVER
 BALL GUIDE RAIL
 COVER BALL-UP ASS'Y.
 LOCKS
 PLAYFIELD GLASS
 SCORE GLASS

JUNE 76

U

BALL-UP GUIDE RAIL #1
 SERVICE SUPPORT BAR
 COIN CHUTE ASS'Y.

APRIL 76

V

PLAYFIELD SUPPORT BRACKET
 BALL-UP HOLD-DOWN COVER BRACKETS
 PLAYFIELD BRACKET (FRONT LOCK)
 PLAYFIELD BRACKET (FRONT GUIDE)
 PLAYFIELD SUPPORT BRACKET R & L
 BALL-UP GUIDE RAIL #2

APRIL 76

W

DIODE, CAPACITOR ASS'Y.
 FULL WAVE RECTIFIER
 POWER SUPPLY FILTER
 RECTIFIER BRIDGE
 POWER OFF REF. CK'T.
 CREDIT DISPLAY CIRCUIT
 TARGET PULL UP SEQUENCER CR'T.
 FEATURE SELECTOR CIRCUIT
 FILTER CIRCUIT CREDIT SW.

APRIL 76

X

180 VOLT REGULATOR ASSEMBLY

JUNE 76

X1

REGULATOR
 POWER TRANSISTOR SOCKET
 FULL WAVE RECTIFIER
 BRIDGE RECTIFIER
 HEAT SINKS

APRIL 76

Y

RECTIFIER HEAT SINK ASS'Y.
 BLOWER ASS'Y.
 78H05 ASS'Y.

JUNE 76

Y1

JUNE 76

INSTRUCTION CARDS

DYNAMITE	264-6-30
T N T	288-6-2
BOOGIE	288-6-2
THUNDERBOLT	292-6-6

FRONT GLASSES

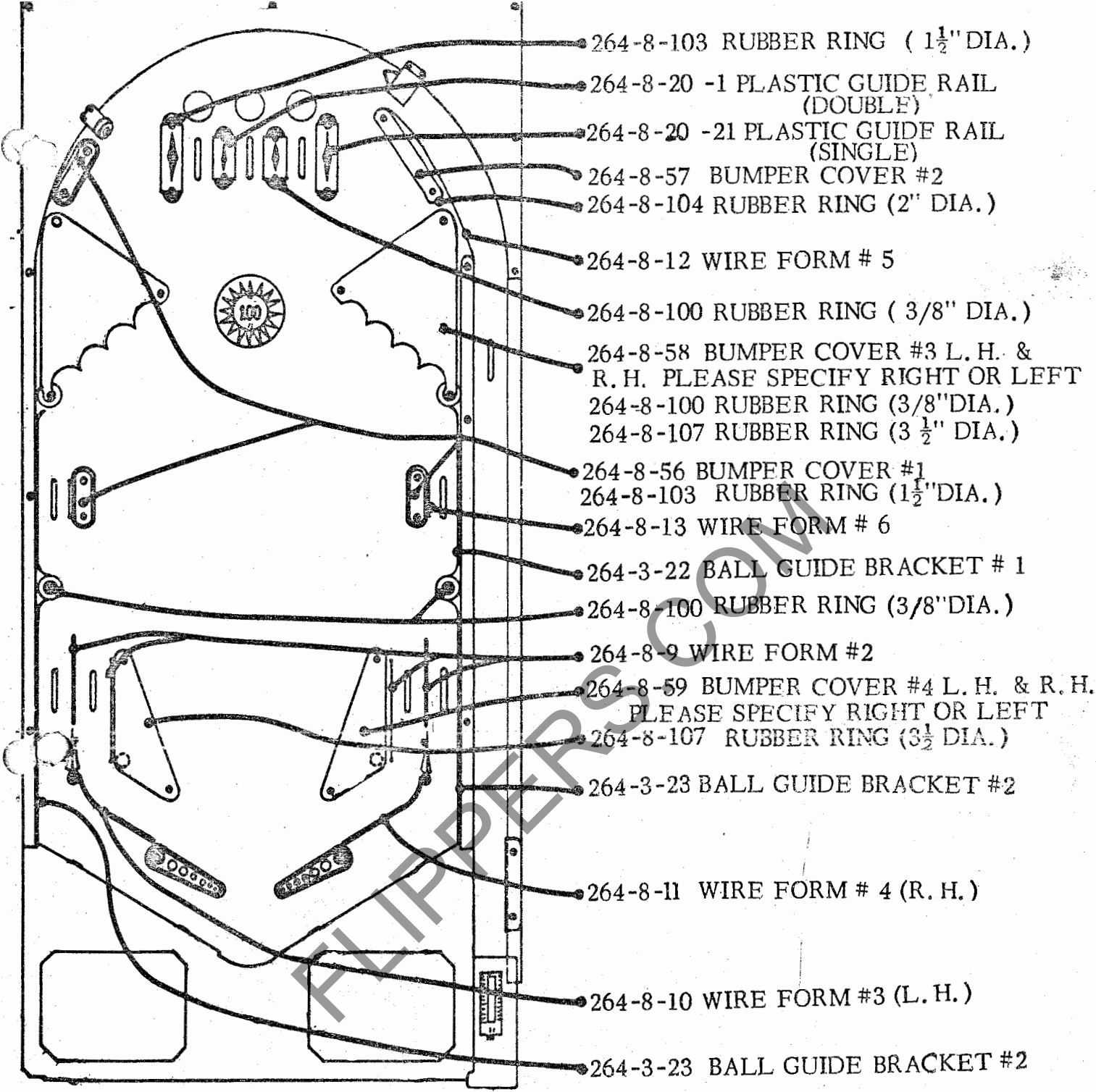
DYNAMITE	264-6-9
T N T	288-6-1
BOOGIE	288-6-1
THUNDERBOLT	292-6-1

PRICE CARDS

DYNAMITE	264-6-9
T N T	288-6-1
BOOGIE	288-6-2
THUNDERBOLT	292-6-4

P. C. BOARDS USED FOR
DYNAMITE, TNT, BOOGIE & THUNDERBOLT

RELAY DRIVER BOARD ASSY.	264-1-52
LAMP DRIVER BOARD ASSY.	264-1-53
MODE SEQUENCER BOARD ASSY.	264-1-54
CREDIT DISPLAY ASSY.	264-1-55
CREDIT BOARD ASSY.	264-1-56
LINE-EM-UP BOARD ASSY.	264-1-57
BONUS DRAIN ASSY.	264-1-59
SCORE UNIT BOARD ASSY.	264-1-60
PLAYER UP BOARD ASSY.	264-1-62
PLAYFIELD LOGIC BOARD ASSY.	264-1-63
THUNDERBOLT PLAYFIELD LOGIC BOARD	292-1-5
CHIME P. C. BOARD	264-1-189
180 V POWER SUPPLY	292-1-30



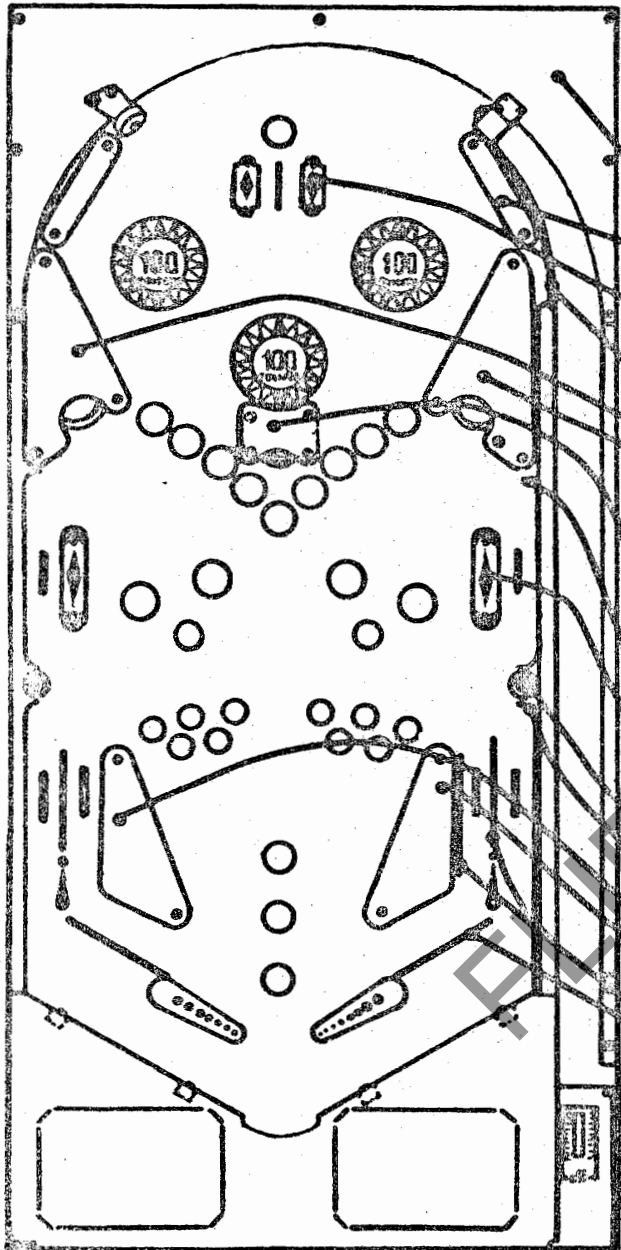
- 264-8-103 RUBBER RING (1½" DIA.)
- 264-8-20 -1 PLASTIC GUIDE RAIL (DOUBLE)
- 264-8-20 -21 PLASTIC GUIDE RAIL (SINGLE)
- 264-8-57 BUMPER COVER #2
- 264-8-104 RUBBER RING (2" DIA.)
- 264-8-12 WIRE FORM # 5
- 264-8-100 RUBBER RING (3/8" DIA.)
- 264-8-58 BUMPER COVER #3 L. H. & R. H. PLEASE SPECIFY RIGHT OR LEFT
- 264-8-100 RUBBER RING (3/8"DIA.)
- 264-8-107 RUBBER RING (3 ½" DIA.)
- 264-8-56 BUMPER COVER #1
- 264-8-103 RUBBER RING (1½"DIA.)
- 264-8-13 WIRE FORM # 6
- 264-3-22 BALL GUIDE BRACKET # 1
- 264-8-100 RUBBER RING (3/8"DIA.)
- 264-8-9 WIRE FORM #2
- 264-8-59 BUMPER COVER #4 L. H. & R. H. PLEASE SPECIFY RIGHT OR LEFT
- 264-8-107 RUBBER RING (3½ DIA.)
- 264-3-23 BALL GUIDE BRACKET #2
- 264-8-11 WIRE FORM # 4 (R. H.)
- 264-8-10 WIRE FORM #3 (L. H.)
- 264-3-23 BALL GUIDE BRACKET #2

DYNAMITE - 2 PLAYER
 TNT - 4 PLAYER
 BOOGIE - 4 PLAYER

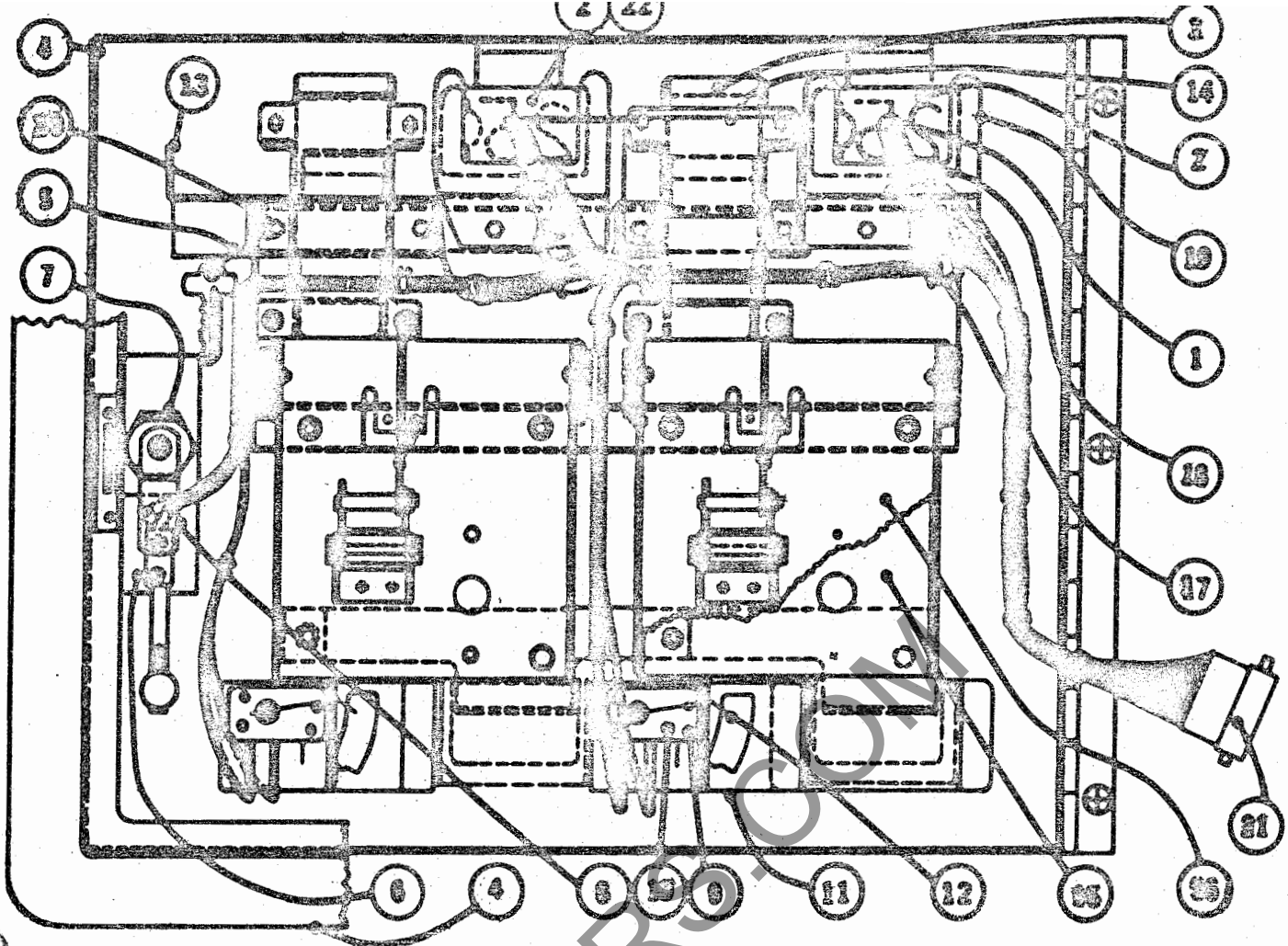
PLAYFIELD ASS'Y. TOP 264-1-5

THUNDERBOLT

PLAYFIELD ASS'Y. TOP 292-1-5



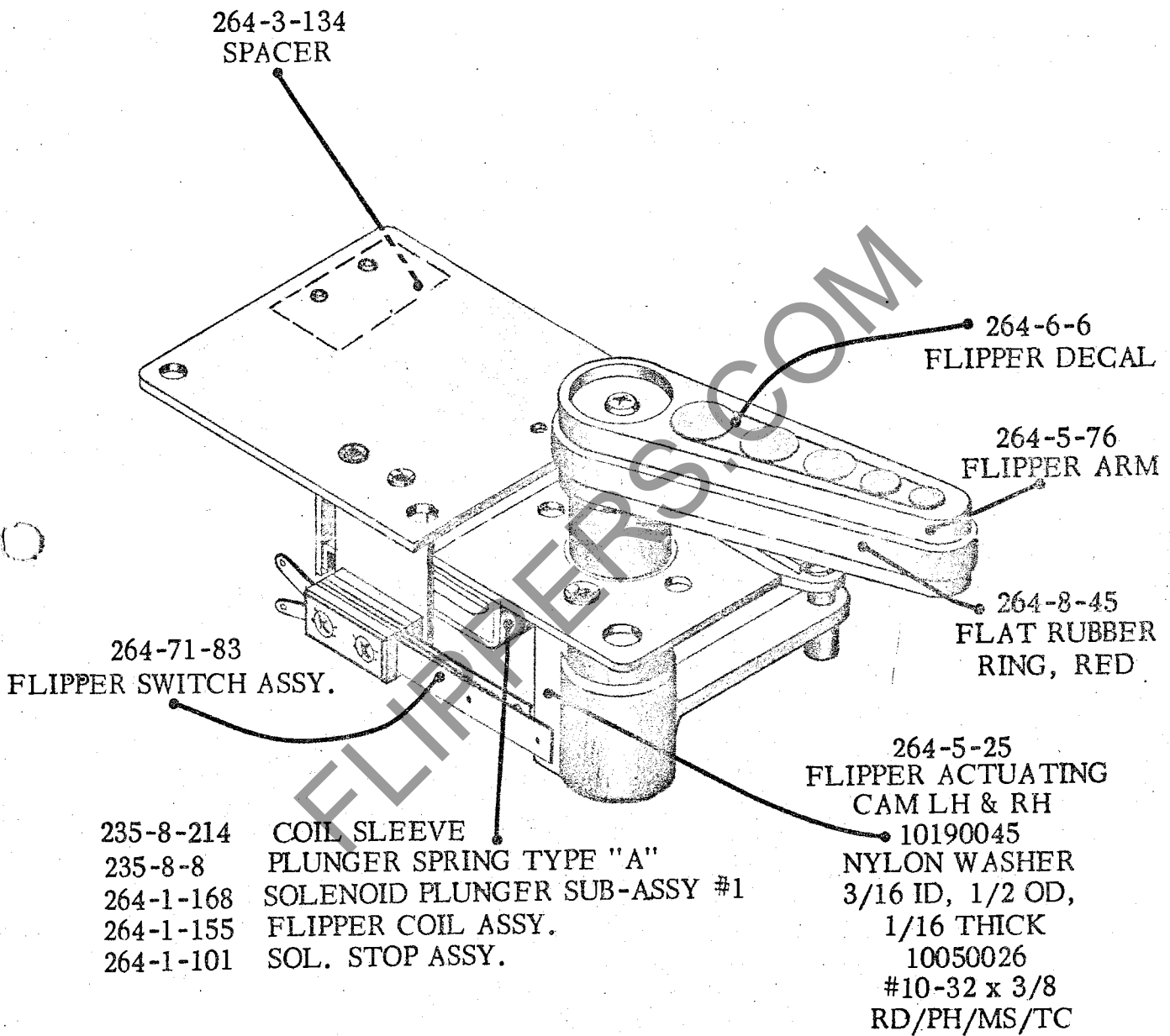
- 264-3-73 BALL GUIDE RAIL
- 292-10-3 COVER DIE CUT
- 264-8-31 RUBBER RING (2 1/2" DIA.)
- 264-8-30 RUBBER RING (1 1/4" DIA.)
- 264-8-20-5 PLASTIC GUIDE RAIL (1 1/2 SINGLE FL.)
- 292-8-2 WIRE FORM #7
- 292-10-8 COVER DIE CUT
- 264-8-32 RUBBER RING (3" DIA.)
- 292-10-7 COVER DIE CUT
- 292-10-6 COVER DIE CUT
- 235-8-57 STANDOFF
- 264-8-100 RUBBER RING (3/8" DIA.)
- 264-8-30 RUBBER RING (1 1/4" DIA.)
- 292-10-9 COVER DIE CUT
- 264-3-22 BALL GUIDE BRACKET #1
- 264-8-30 RUBBER RING (1 1/4" DIA.)
- 264-8-20-21 PLASTIC GUIDE RAIL (2 1/2 SINGLE FL.)
- 264-8-100 RUBBER RING (3/8" DIA.)
- 264-3-23 BALL GUIDE BRACKET #2
- 292-10-4 COVER DIE CUT
- 292-10-5 COVER DIE CUT
- 264-8-107 RUBBER RING (3 1/2" DIA.)
- 264-8-9 WIRE FORM #2



264-1-88 COIN DOOR (2) ACCEPTOR ASS'Y.

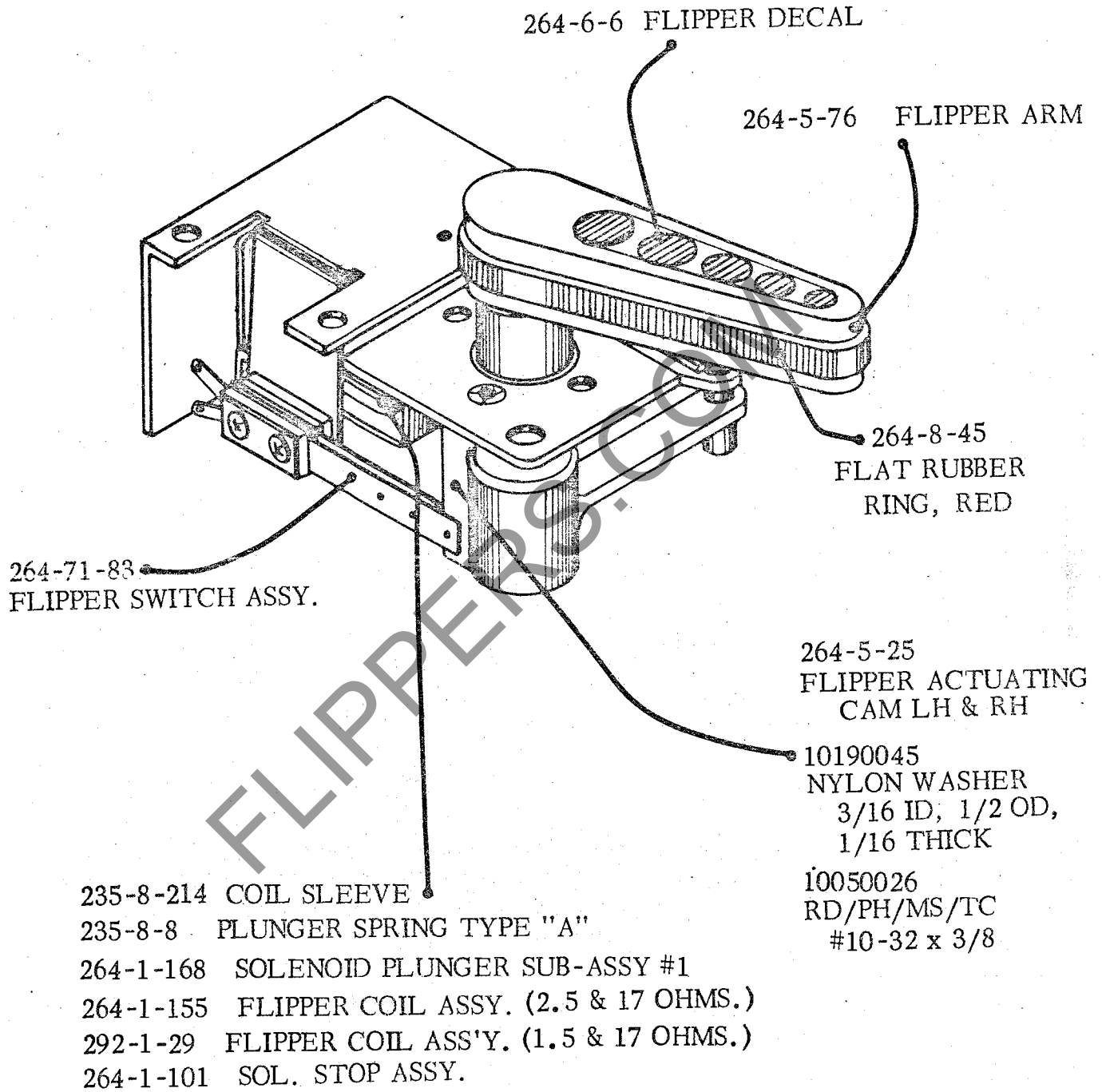
ITEM	PART NO.	DESCRIPTION	QTY.
1	50180004	DISPLAY LAMP #44	2
2	235-6-21	COIN PRICE PL. 25¢	2
3	235-1-505	COIN CHUTE ASS'Y.	2
4	264-1-94	COIN DOOR #2 COMPLETE W/ASS'Y.	1
5	235-8-30	SPRING CLIP KEY	1
6	264-1-93	SLAM SWITCH BRK'T ASS'Y.	1
7	235-8-45	2 KEY LOCK	1
8	264-3-152	LOCK TONGUE	1
9	10010027	#4-40 x 3/4 PA/PH/MS	4
10	50130003	COIN MICRO SWITCH	2
11	235-3-37	SWITCH MOUNT PLATE	2
12	235-8-29	COIN SWITCH WIRE	2
13	264-3-135	BRK'T. INTERLOCK TOP GLASS HOLD DOWN	1
14	235-3-528	LATCH LOCK - CASH DOOR	1
15	235-8-516	COIN ACCEPTOR AMERICAN 25¢	2
16	235-1-543	COIN ACCEPTOR BRK'T W/COIN REJECTOR	2
17	50270017	1/4" NYLON WIRE CLAMP	2
18	50190004	LAMP SOCKET	2
19	235-3-509	COIN PRICE BRACKET	2
20	10020004	8-32 x 1/4 WHIZ LOCK SCREW	14
21	264-1-115	COIN DOOR HARNESS	1
22	235-6-22	COIN PRICE PLATE 2/25¢ (EXTRA)	2

JUNE 76



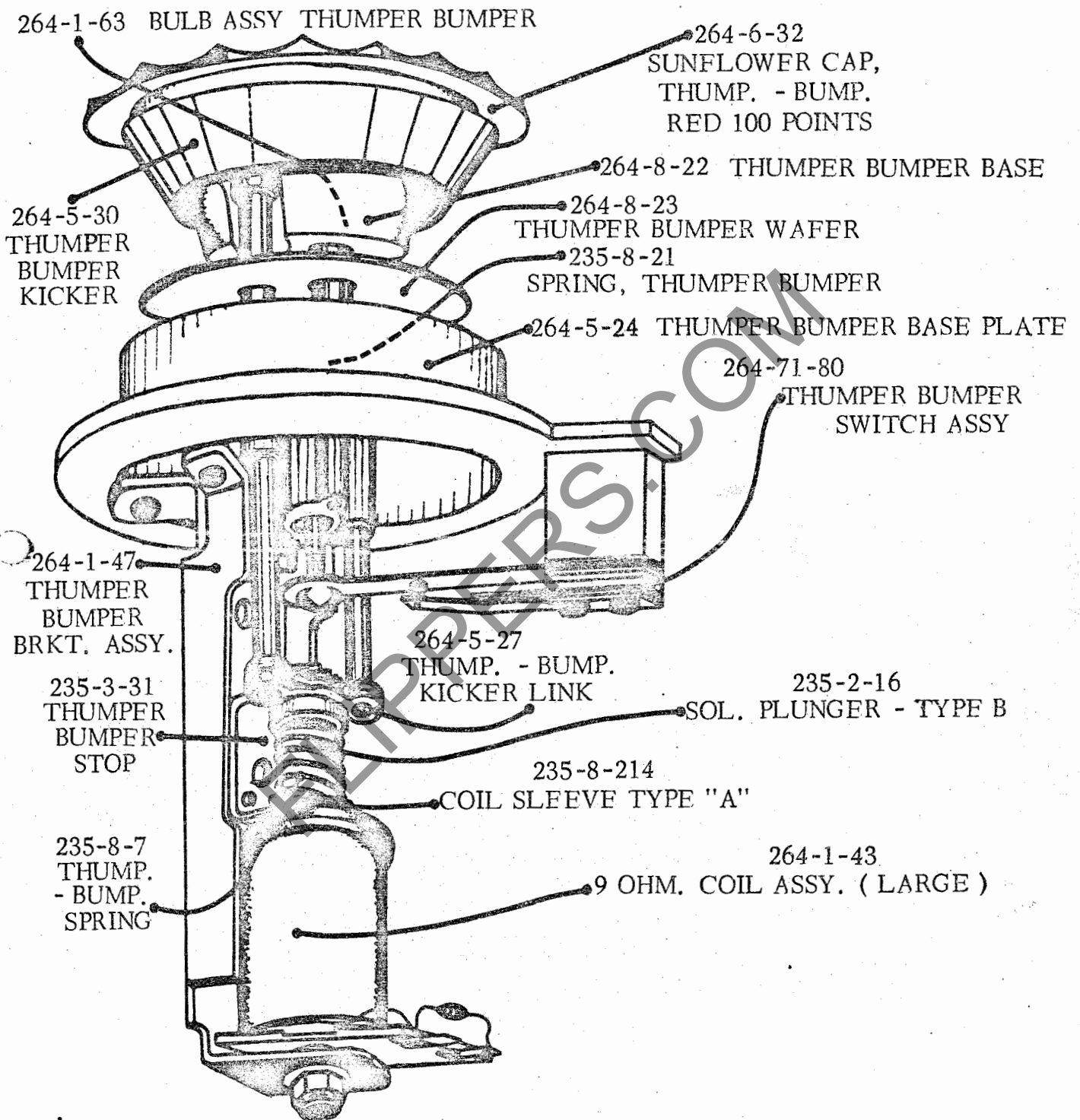
2.5 & 17 OHMS.

FLIPPER ASS'Y. LH & RH 264-1-7 STYLE A

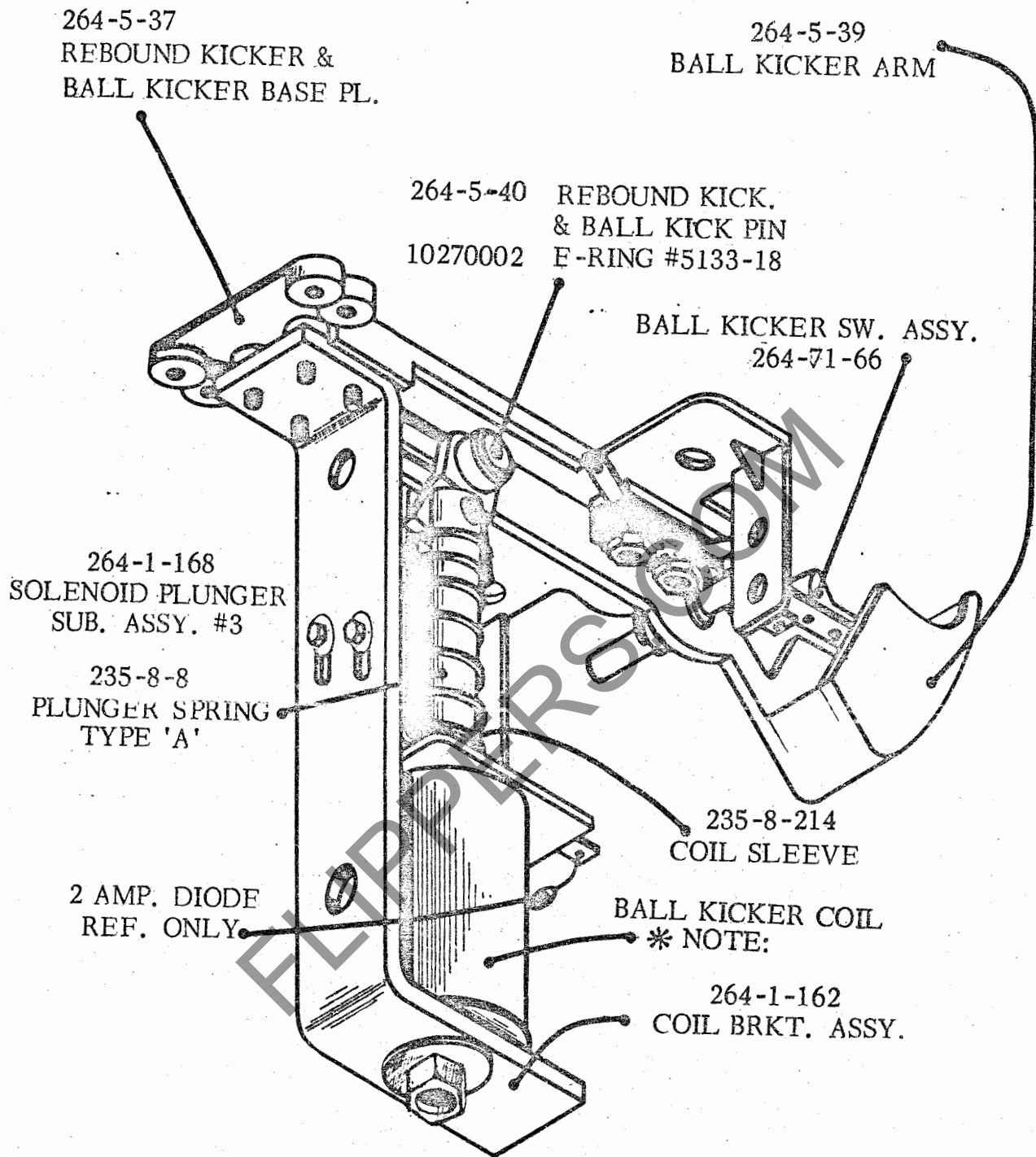


FLIPPER ASS'Y. LH & RH 264-1-7 STYLE B (2.5 & 17 Ω)
 292-1-38 STYLE C (1.5 & 17 Ω)

APRIL 76



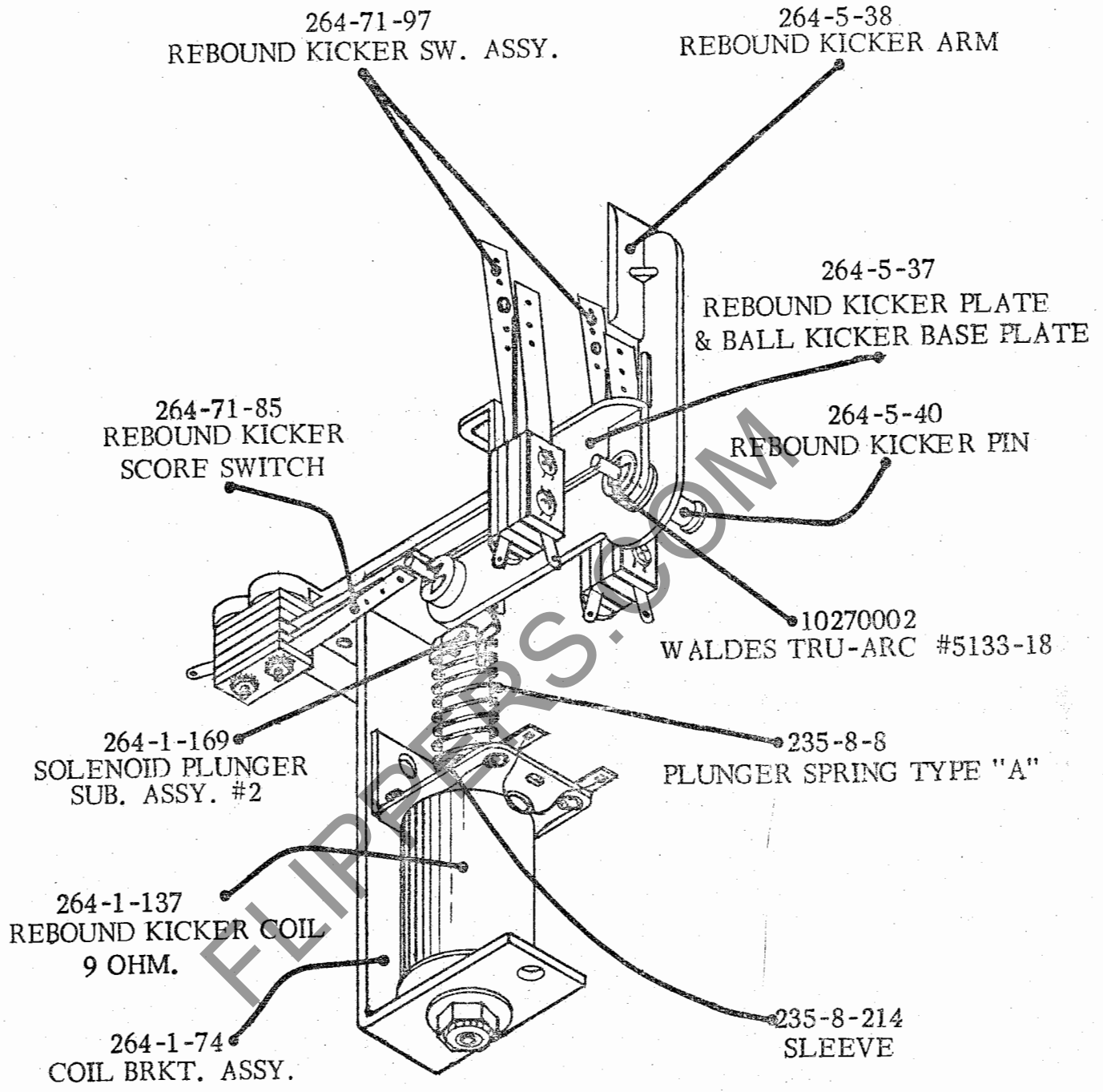
THUMPER - BUMPER ASS'Y. 264-1-9



* NOTE:
BALL KICKER COIL COULD HAVE
11Ω or 15Ω COIL.

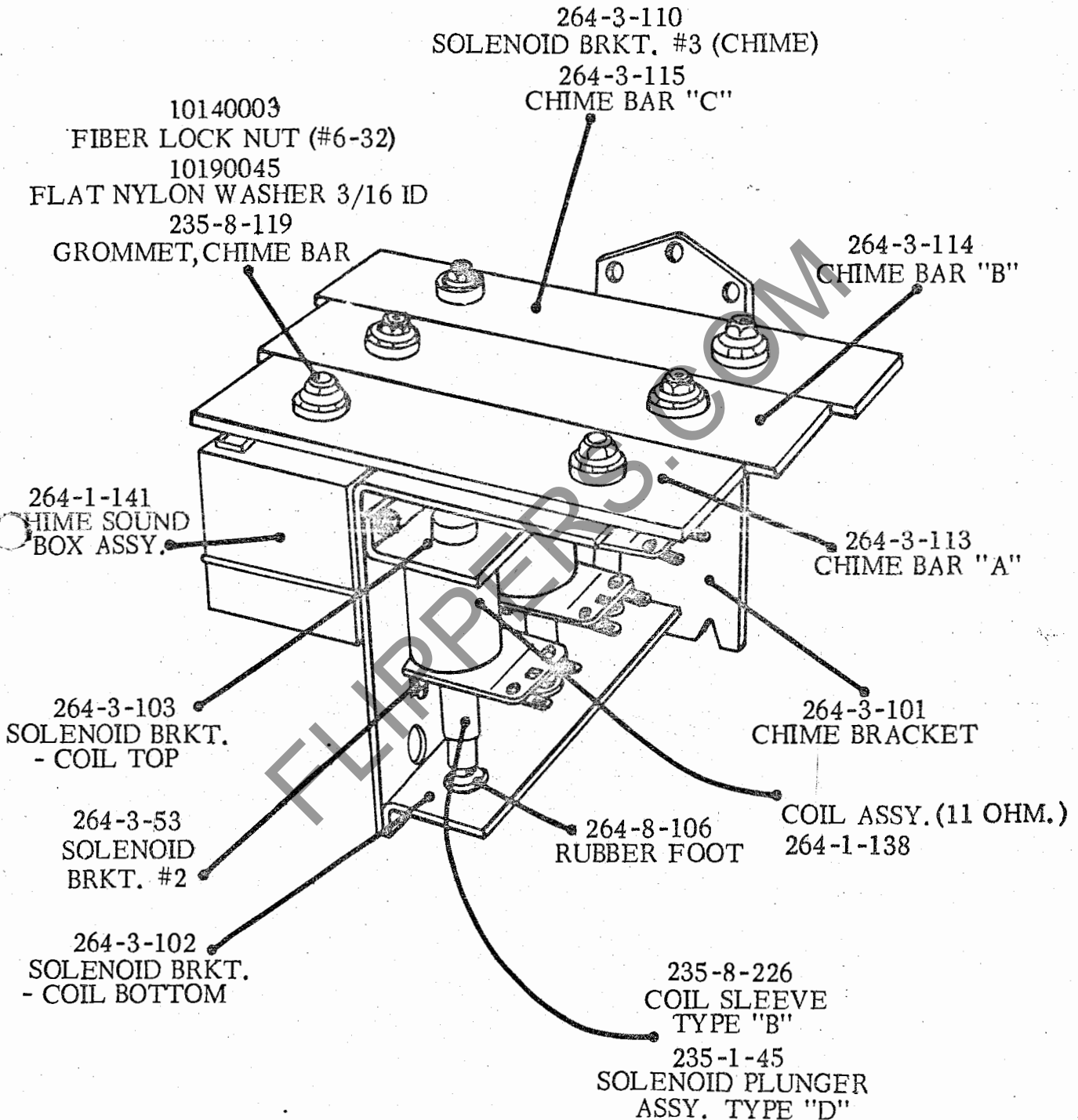
(PLEASE SPECIFY)
264-1-102 (11 ohm.)
292-1-13 (15 ohm.)

BALL KICKER ASS'Y. 264-1-11 (11 OHM.)
292-1-11 (15 OHM.)



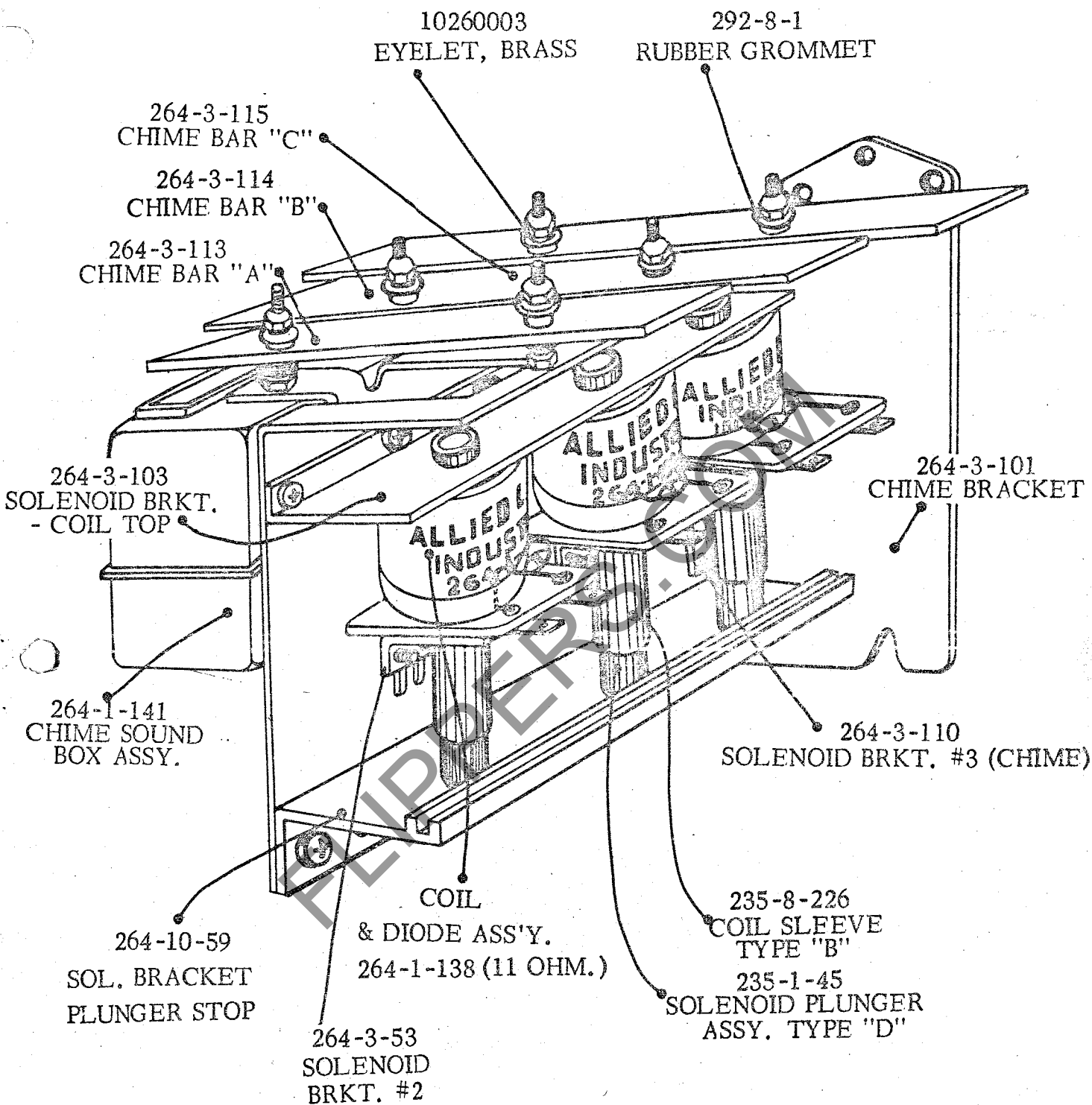
REBOUND KICKER ASS'Y. 264-1-10
 292-1-41
 HAS SCORE SWITCH
 264-71-85, ELIMINATED

APRIL 76



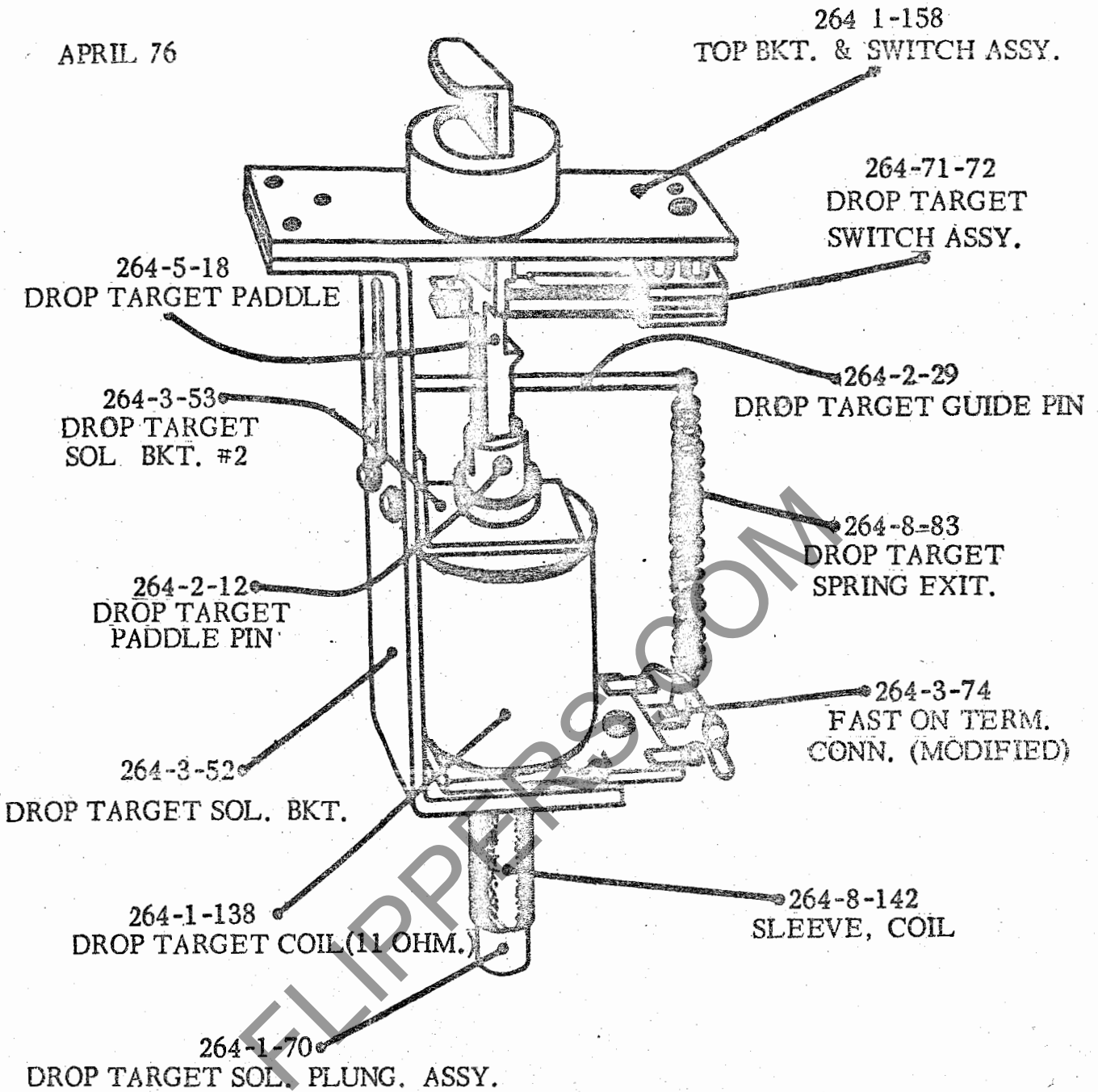
CHIME ASSY. #2 264-1-98

(TYPE "A")



264-1-98 CHIME ASSY. #2

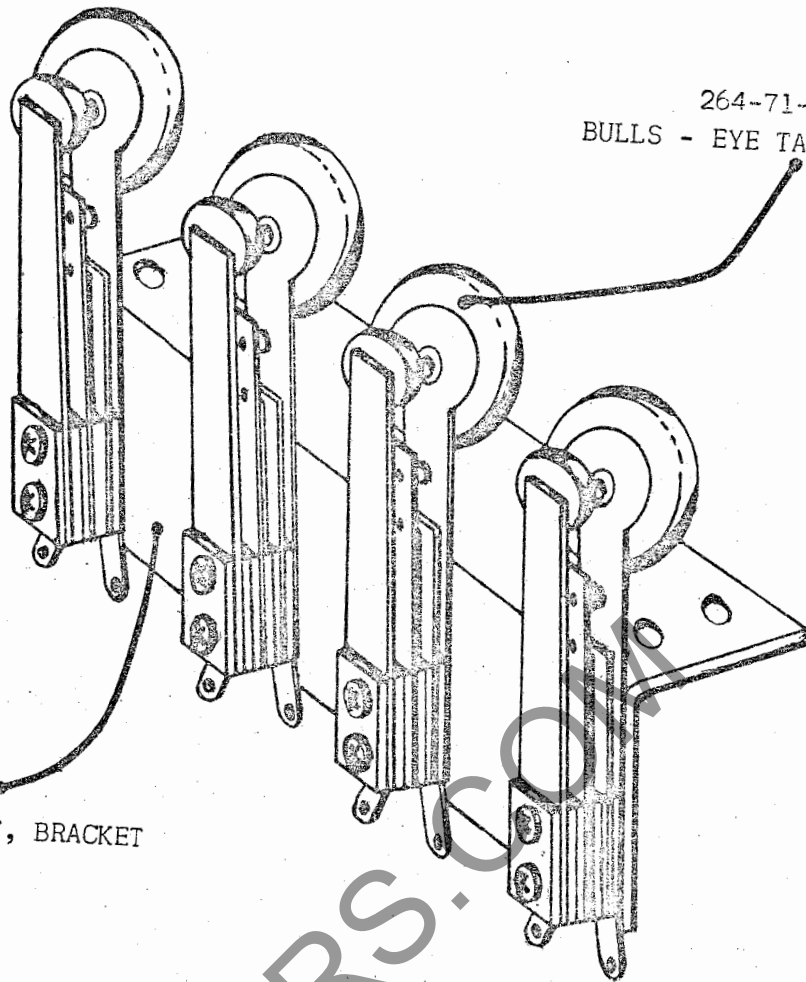
APRIL 76



DROP TARGET ASS'Y. #1 264-1-36

APRIL 76

264-71-100
BULLS - EYE TARGET SW ASSY.



264-3-24
BULLS - EYE TARGET, BRACKET

264-1-78
BULLS-EYE SCORE TARGET ASS'Y.

264-3-61
PLATE

264-8-17
PROPELLER SPRING, PLUNGER

10050013
#10-32 x 3/4 SELF TAP. SCR.

264-8-46
SHOOTERTIP - PLUNGER ROD

264-1-19
KNOB - PLUNGER ASSY

"E" RING WALDES
#5133-37
101270006

264-5-33
GUIDE, PLUNGER ROD

10190035
WASHER

264-8-7
SHOCK SPRING, PLUNGER

264-1-18
BALL PLUNGER ASS'Y.

TARGET SWITCH BLADE ASS'Y.
(SPECIFY COLORS) 292-71-1

SINGLE BULLS EYE
BRACKET 292-3-1

SINGLE BULLS EYE
TARGET ASS'Y 292-1-10

COIL AND DIODE ASS'Y 264-1-137

SOLENOID BRKT #2 264-3-53

COIL SLEEVE - TYPE B 2.705 LG. 235-8-226

#6 - 32 x 3/8 WHIZ LOCK M.S. 10020002

SOL. PLUNGER ASS'Y - TYPE D 235-1-45

RUBBER PAD 235-8-68

KNOCKER BRKT - WELDMNT 235-1-91

KNOCKER ASS'Y. 264-1-86

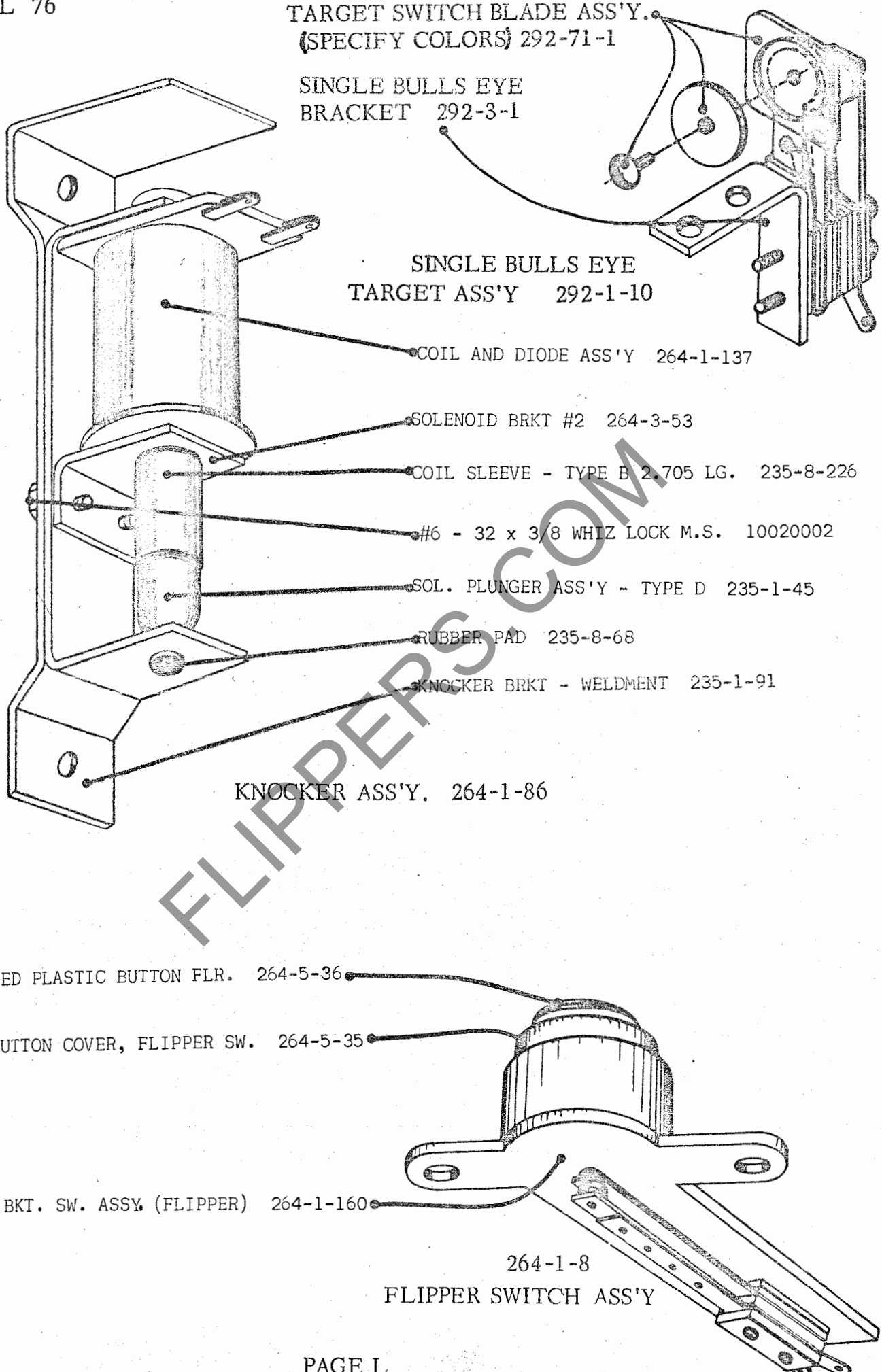
RED PLASTIC BUTTON FLR. 264-5-36

BUTTON COVER, FLIPPER SW. 264-5-35

BKT. SW. ASSY. (FLIPPER) 264-1-160

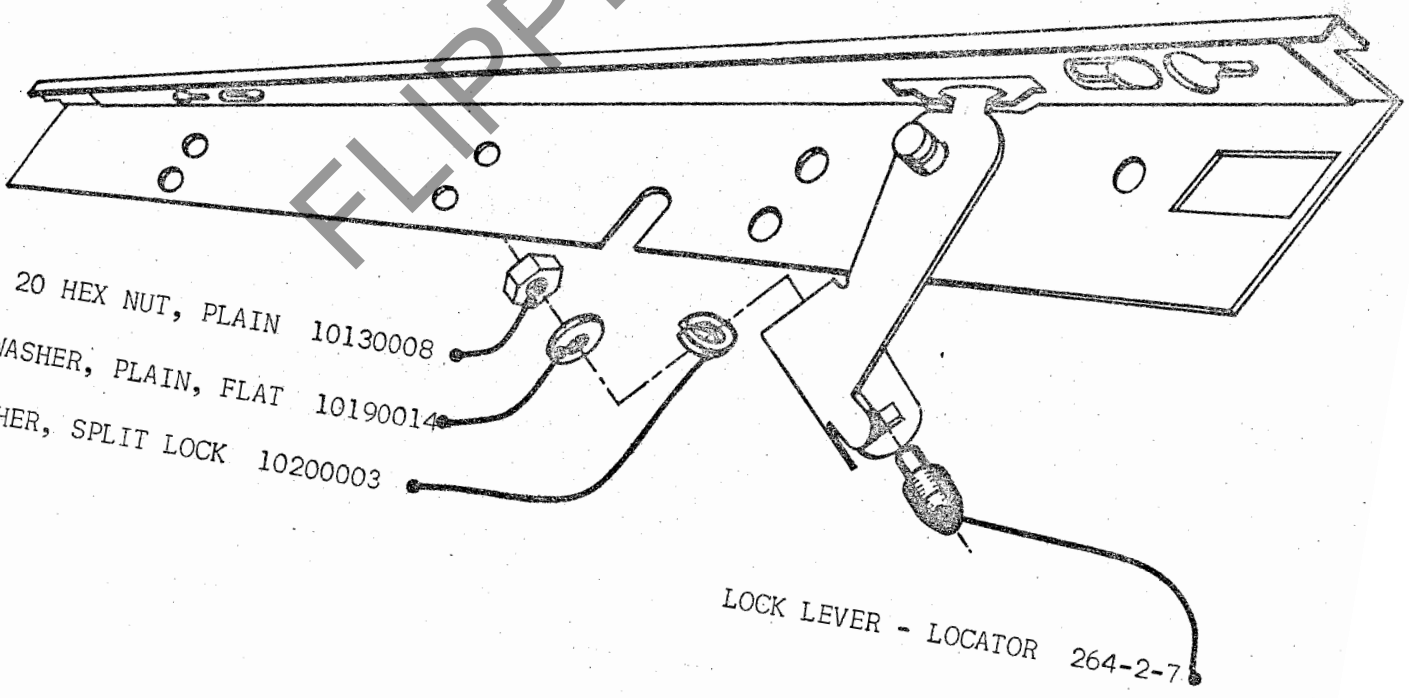
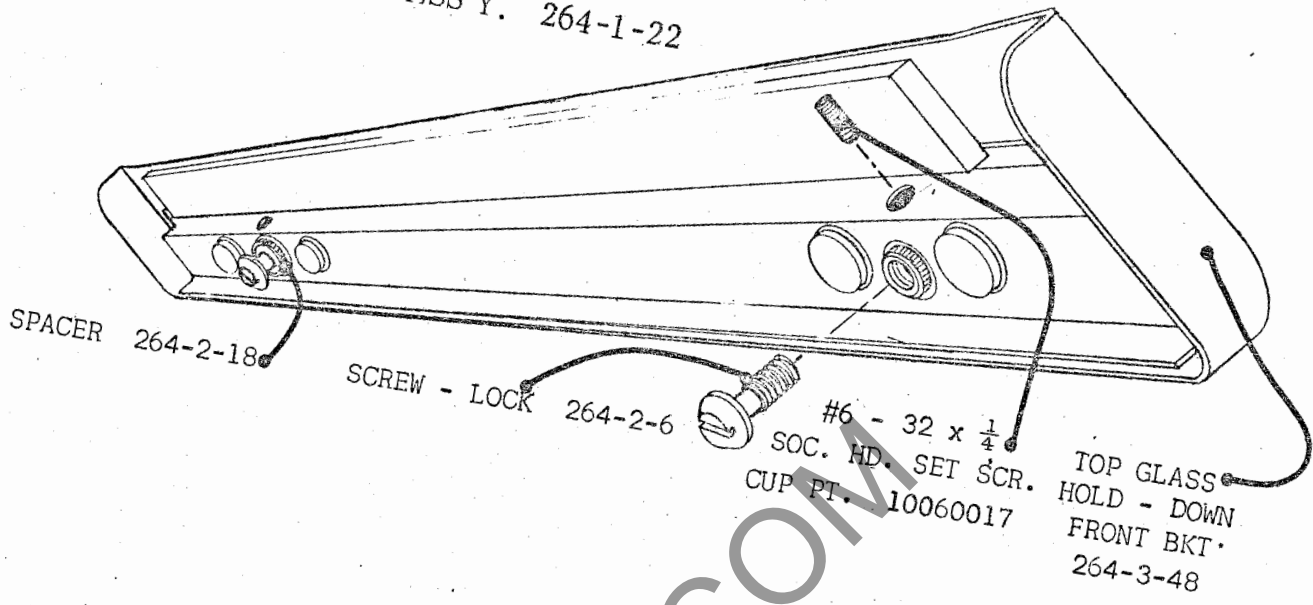
264-1-8

FLIPPER SWITCH ASS'Y



APRIL - 1976

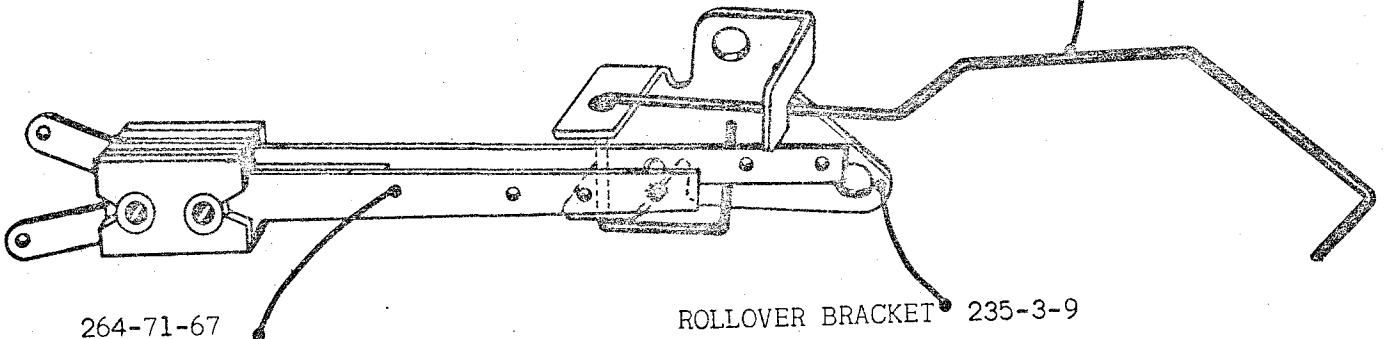
TOP GLASS HOLD-DOWN ASS'Y. 264-1-22



FRONT GLASS LOCK ASS'Y. 264-1-23

264-71-67
ROLL OVER SWITCH

SPRING ROLL OVER BKT 235-8-3

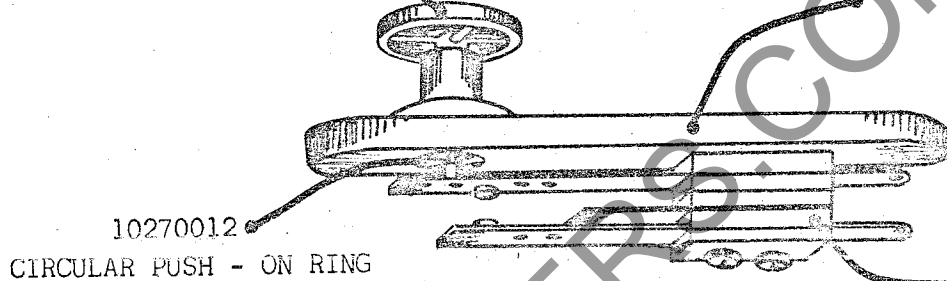


264-71-67
ROLL OVER SWITCH
(WIRE) ASSY

ROLLOVER BRACKET 235-3-9

235-5-6
ROLL OVER BUTTON

264-5-3
BUTTON ROLL OVER BASE PLATE



10270012
CIRCULAR PUSH - ON RING

264-71-70
BUTTON ROLL - OVER SW. ASSY.

264-1-12
ROLL OVER SWITCH ASS'Y.

235-8-50
PUSH ON RETAINER

235-5-7
PUSH BUTTON

264-3-116
BRACKET SWITCH

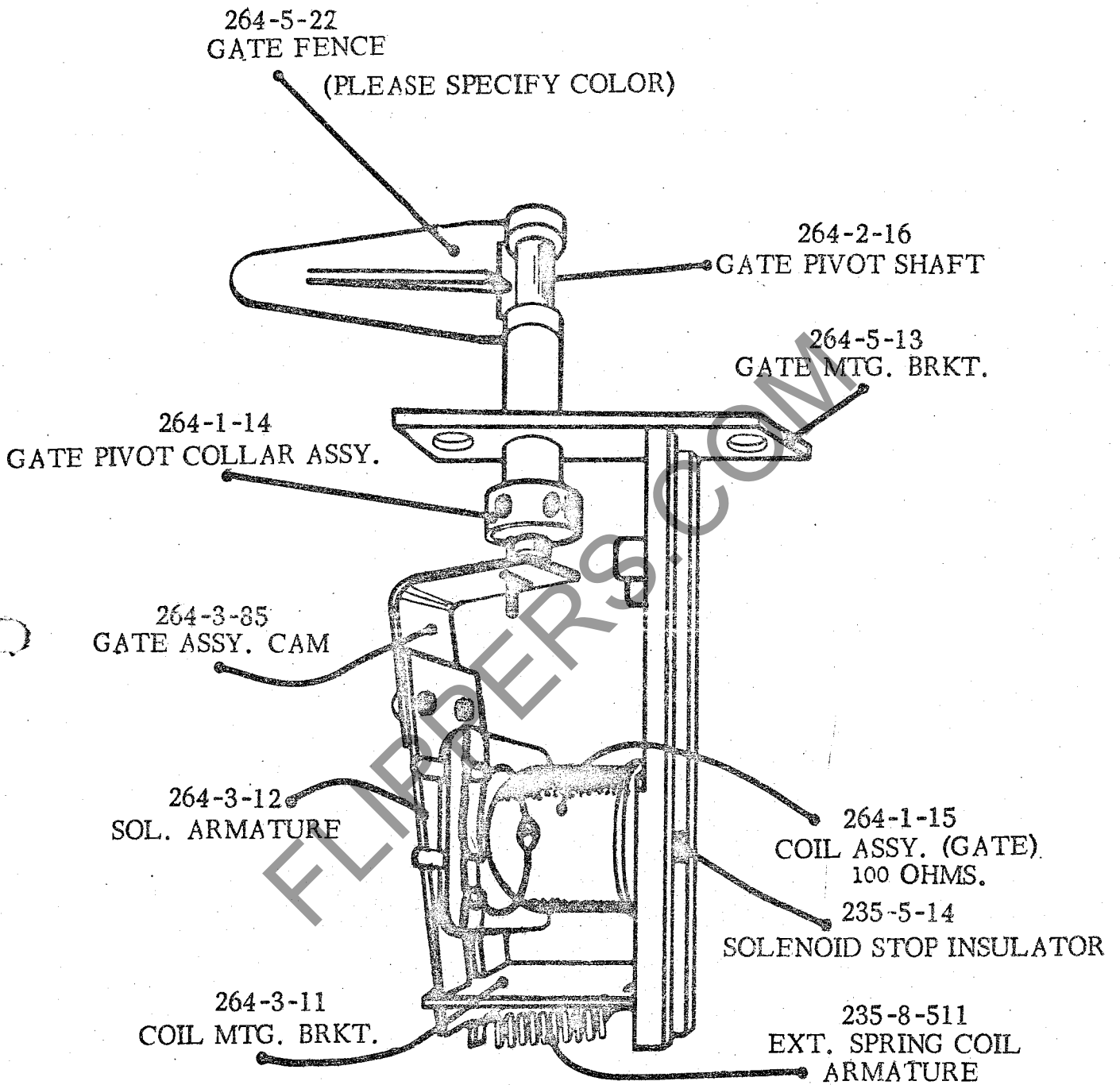
235-5-35
PUSHBUTTON JACKET

264-71-79
CREDIT SWITCH

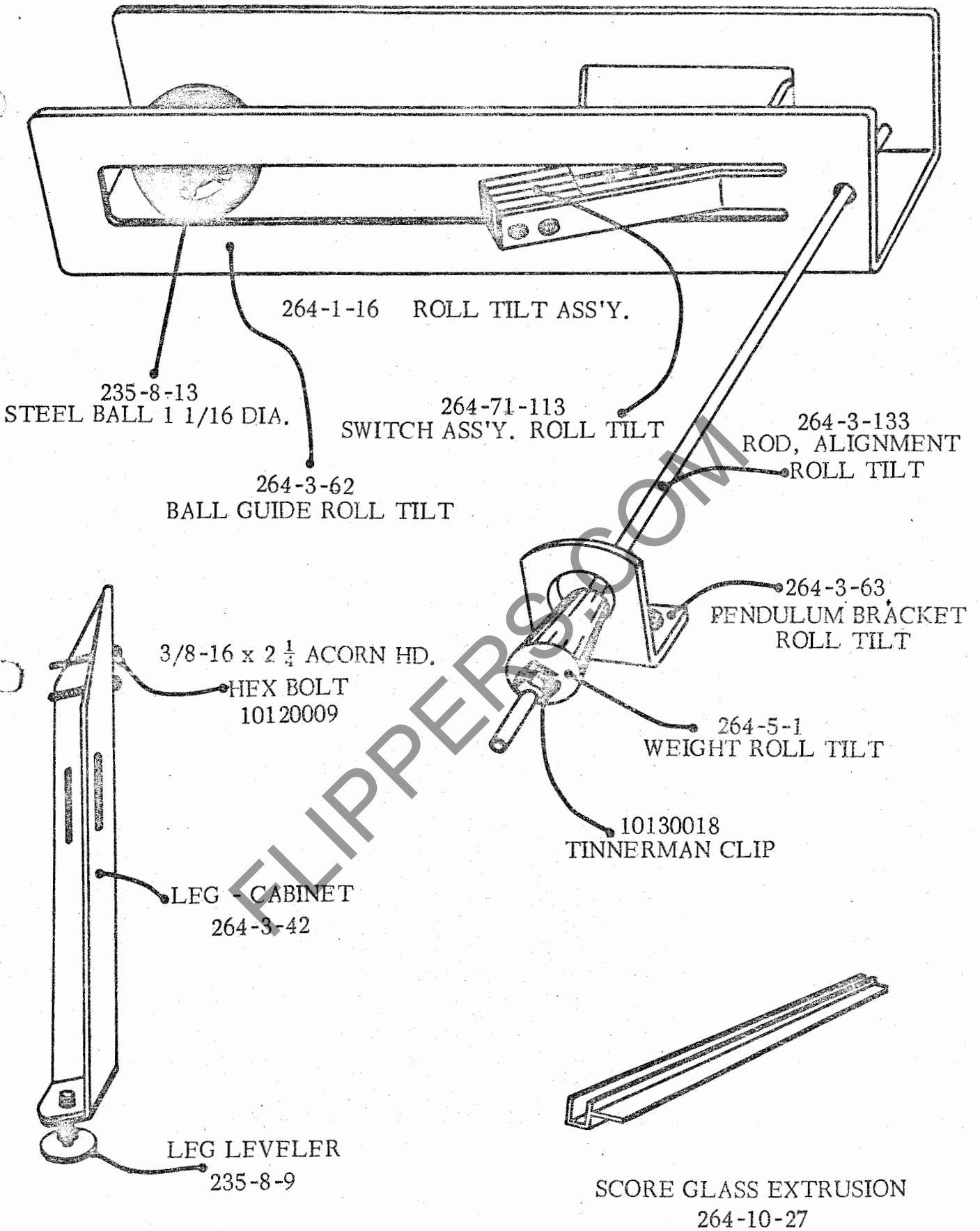
10270005
RETAINING "E" RING.

10010089
#5 - 40 x 1 PA/PH/ MS

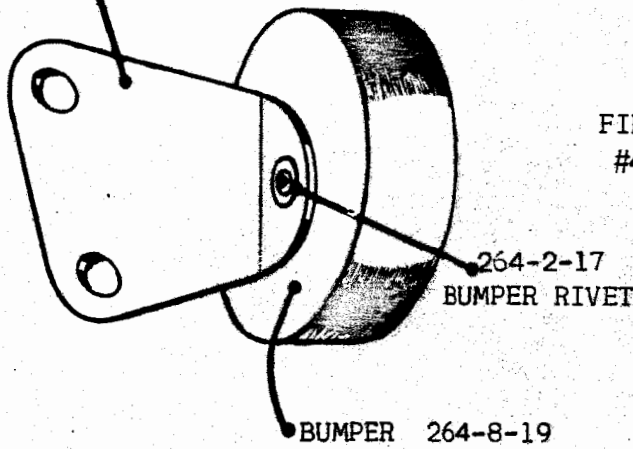
264-1-89
CREDIT SWITCH
ASS'Y.



GATE ASS'Y. 264-1-13



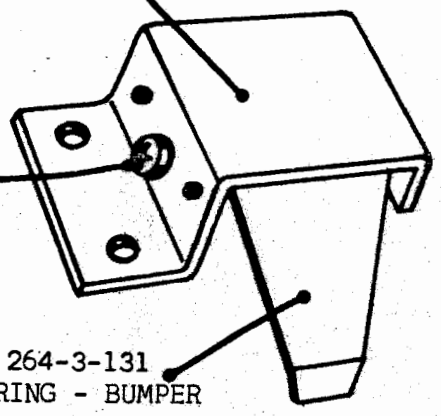
BRACKET 264-3-88



264-3-51 BRACKET - BUMPER

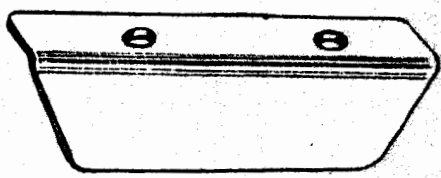
FINISHING NAIL
#4 x 1 1/2" LG.

264-3-131
SPRING - BUMPER



BUMPER ASSY. (GATE). 264-1-6

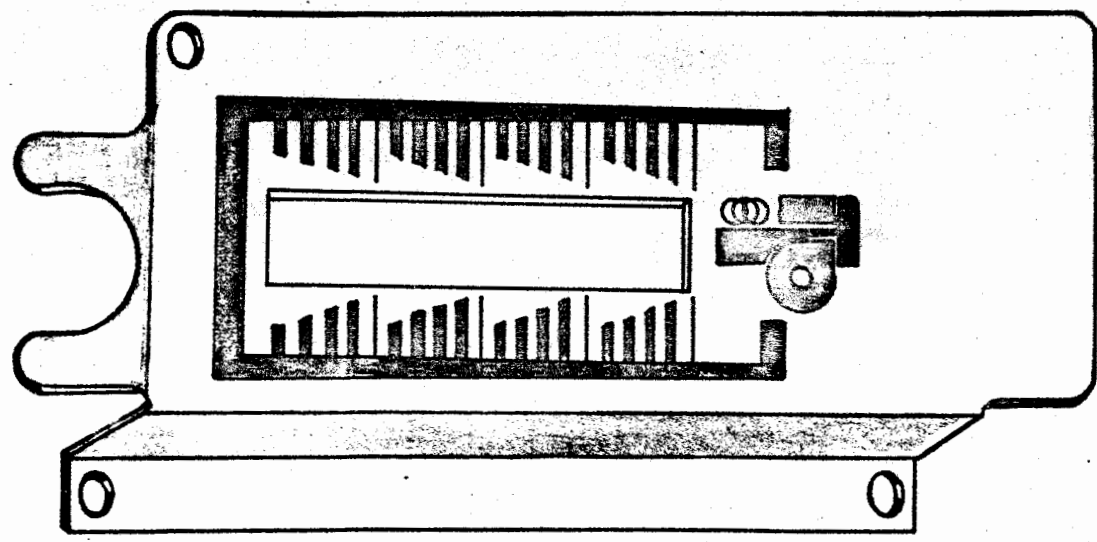
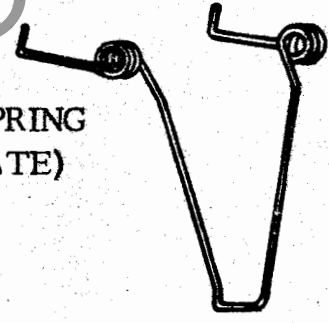
REBOUND BUMPER ASSY 264-1-17



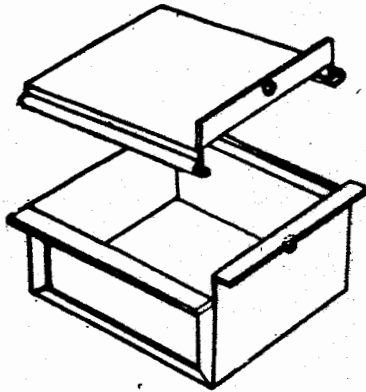
264-3-25

BALL GUIDE WEAR PLATE, PLAYFIELD

264-8-38 SPRING
(ALTERNATE)



COVER , BALL PLUNGER 264-3-37



LID -
264-3-129

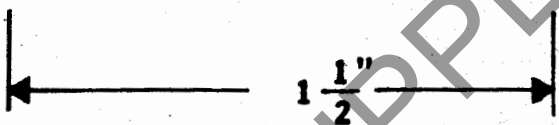
BOX -
264-1-91

CASH BOX & LID



264-5-26

PLAYFIELD BUMPER



#6 x 1 1/2 PH/WS 10070005

NICKEL PLATED.
#6 - 32 CAP NUT
10140010



NICKEL PLATED
FLAT WASHER
10190043



POST SCREW
10070020



NICKEL PLATED.
NAIL PIN
10240009

(USED AS GATES STOP)



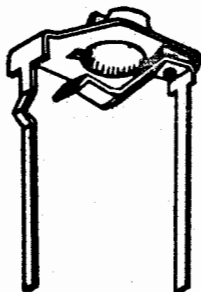
50180001
50180004
50180005

LAMP #1847
LAMP #44
LAMP #47



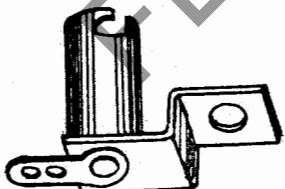
50180002
50180003

LAMP #55
LAMP #455 (FLASHING)



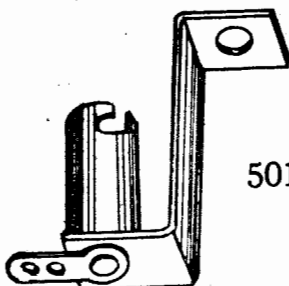
50190015

LIGHT SOCKET



50190006

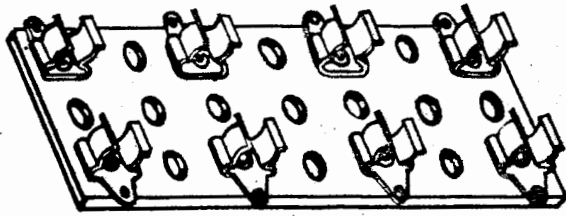
LAMP SOCKET 9/16" MOUNT



50190008

LAMP SOCKET

FUSE HOLDER



P/N

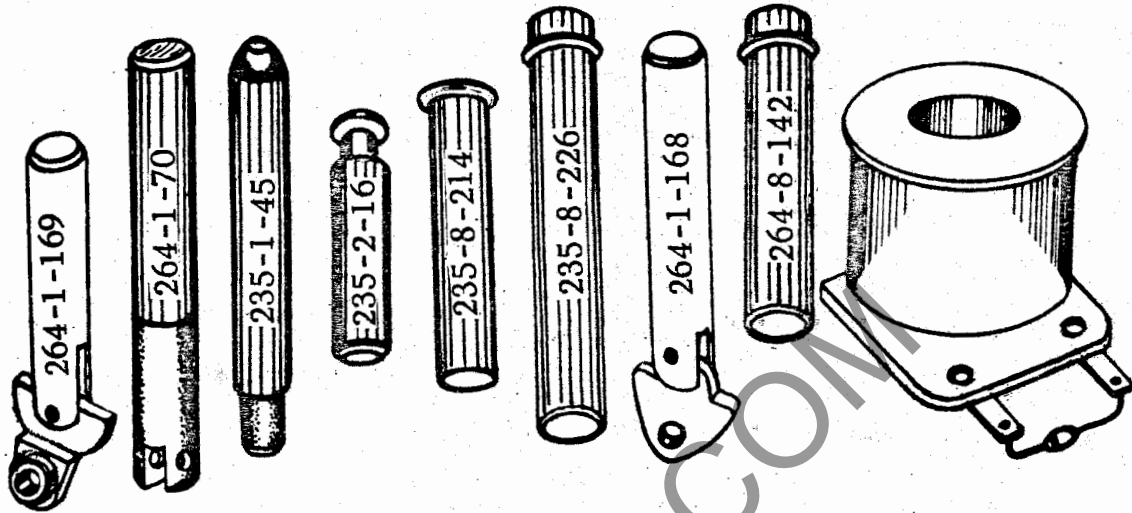
OF HOLDERS

263-10-26

3

263-10-27

4



RELATION	ASSY. NAME	P/N	COIL NO.	OHMS	SLEEVE	PLUNGER
1	THUMPER BUMPER	264-1-9	264-1-43	9	235-8-214	235-2-16
2	DROP TARGET	264-1-36	264-1-138	11	264-8-142	264-1-70
3	GATE	264-1-13	264-1-15	100	NONE	NONE
4	KNOCKER	264-1-86	264-1-137	9	235-8-226	235-1-45
5	CHIME	264-1-98	264-1-138	11	235-8-226	235-1-45
6	BALL KICKER	264-1-11	264-1-102	11	235-8-214	264-1-168
7	BALL KICKER	292-1-11	292-1-13	15	235-8-214	264-1-168
8	FLIPPER	264-1-7	264-1-155	2.5/17	235-8-214	264-1-168
9	FLIPPER	292-1-38	292-1-29	1.5/17	235-8-214	264-1-168
10	REBOUND KICKER	264-1-10	264-1-137	9	235-8-214	264-1-169

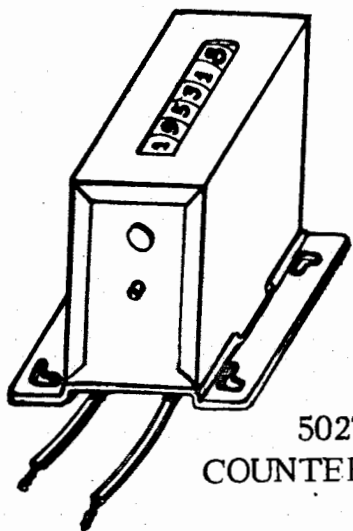
FUSES P/N

AMPS

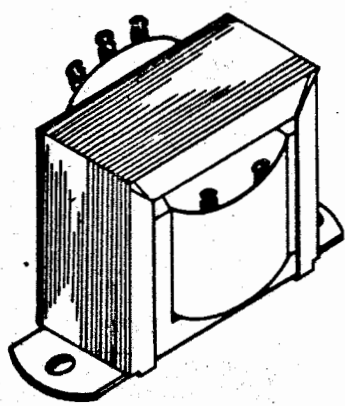


50230024
50230022
50230011
50230009
50230010
50230008

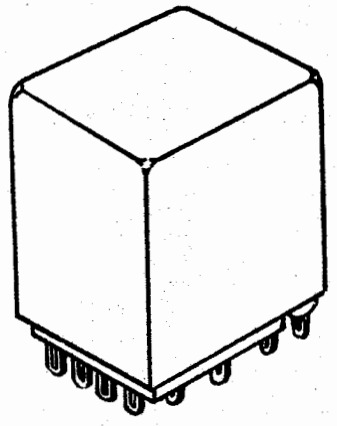
20 AMPS F. B.
 $\frac{1}{2}$ AMP
10 AMPS S. B.
8 AMPS S. B.
8 AMPS F. B.
5 AMPS S. B.



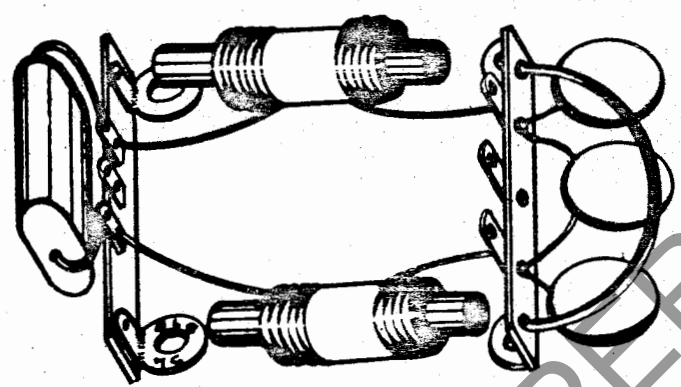
50270006
COUNTER 24 VDC



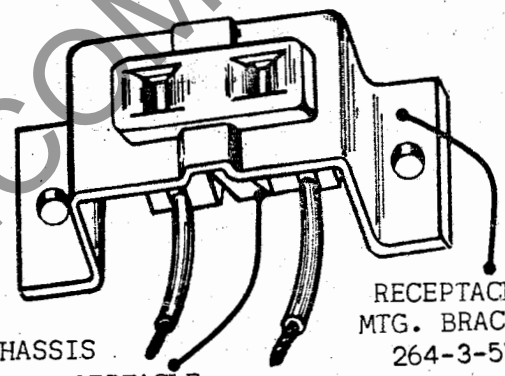
TRANSFORMER
50280022
50280028
with
LOW VOLTAGE
TAP



264-1-104
RELAY WITH DIODE ASSY.



264-1-107
A.C. LINE FILTER ASS'Y.



CHASSIS
PLUG RECEPTACLE,
50150031

RECEPTACLE
MTG. BRACKET
264-3-57

AC RECPTACLE ASS'Y.
264-1-110

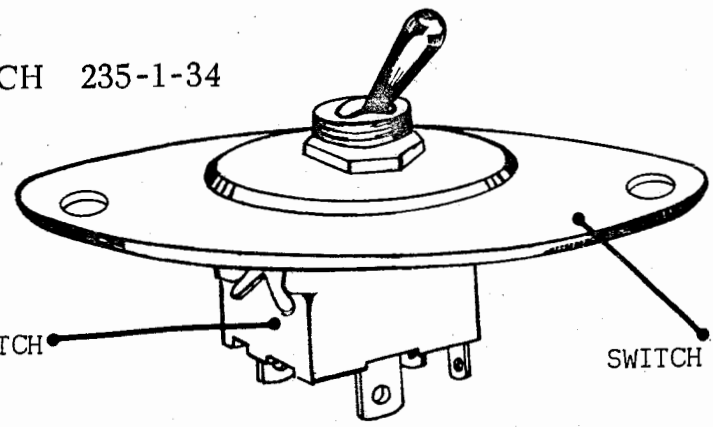


DIODE 2 AMP 50100010



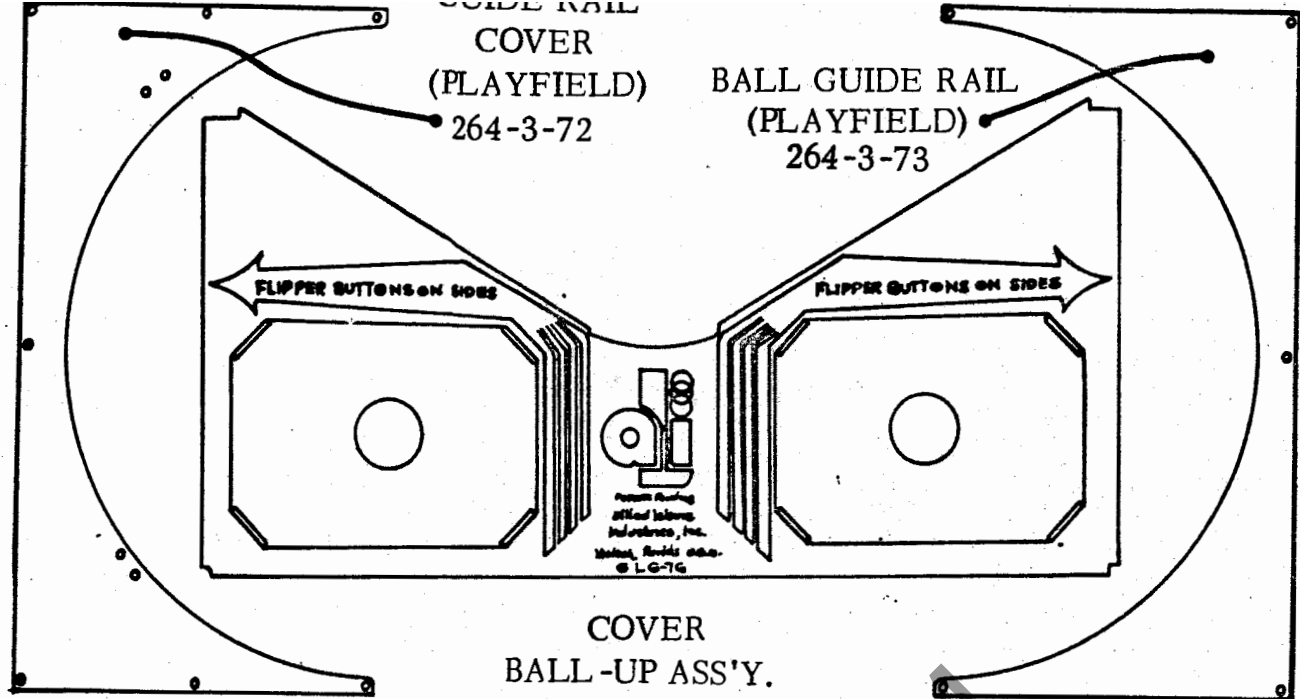
DIODE 1 AMP BA2C5
50100009

ON - OFF SWITCH 235-1-34



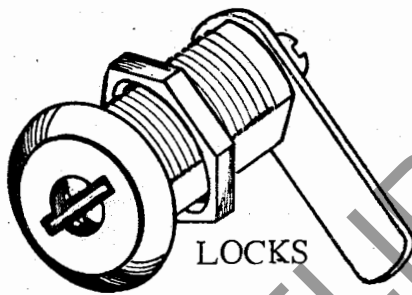
235-9-10
ON - OFF SWITCH

235-3-100
SWITCH PLATE - ON - OFF



DYNAMITE, 264-3-72
 T N T BOOGIE
 THUNDERBOLT 292-3-3

DYNAMITE, T N T,
 BOOGIE 264-3-73



LOCKS

POSITION

SCORE CABINET GLASS
 CASH BOX
 REAR DOOR

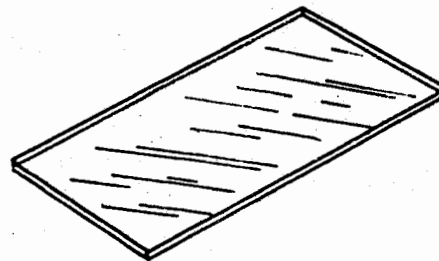
P/N (ALLIED'S)

264-8-3
 235-8-45
 235-8-44



SCORE GLASS

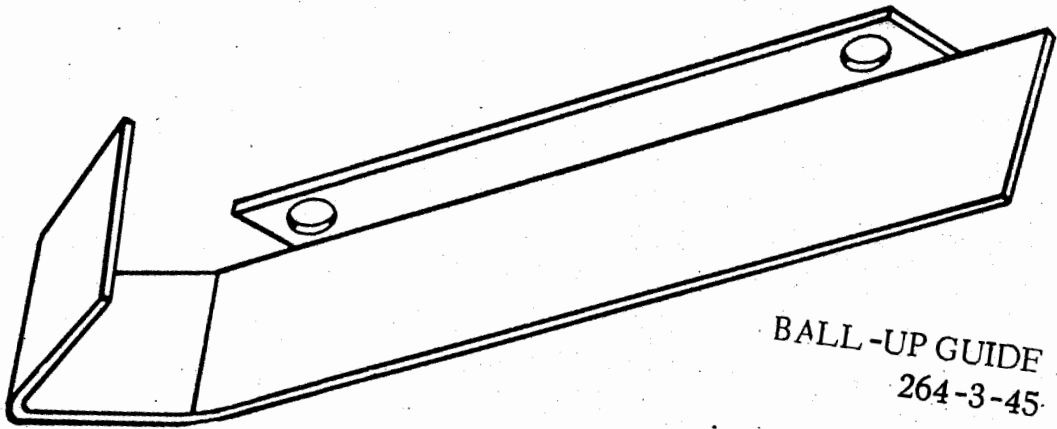
DYNAMITE 264-6-9
 T N T 288-6-1
 BOOGIE 288-6-1
 THUNDERBOLT 292-6-1



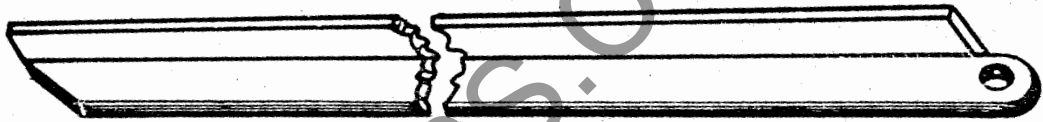
PLAYFIELD GLASS

TEMPERED
 W/POLISHED EDGES
 264-8-43
 21" x 43" x 3/16"

APRIL 76

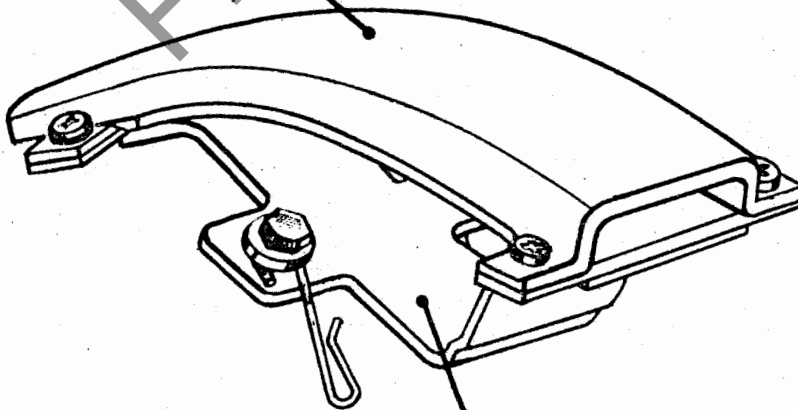


BALL-UP GUIDE RAIL #1
264-3-45



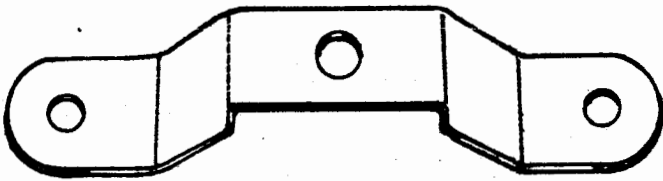
SERVICE
SUPPORT BAR (PLAYFIELD)
264-3-27

COIN CHUTE TRACK
235-3-513

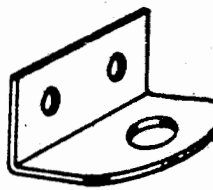


COIN CHUTE WELD ASSY.
235-1-503

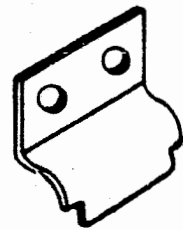
COIN CHUTE ASSY.
235-1-505



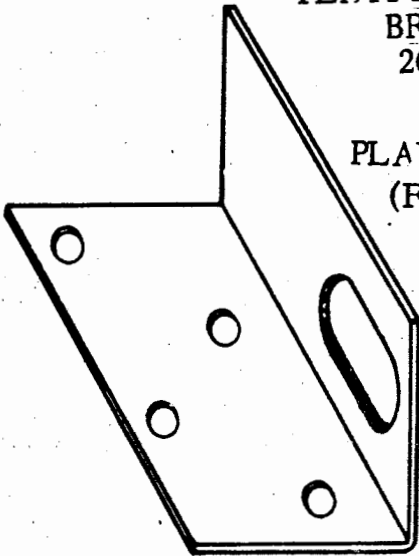
PLAYFIELD SUPPORT
BRACKET,
264-3-65



BALL-UP
HOLD-DOWN COVER
BRACKET
264-3-35

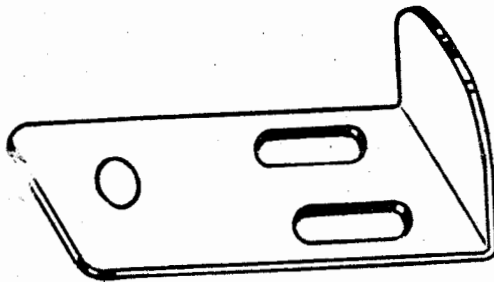
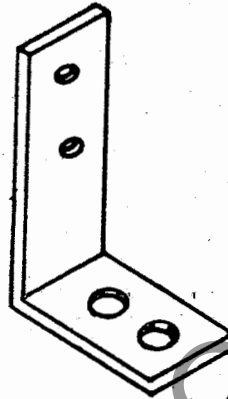


BALL-UP
HOLD-DOWN
COVER
BRACKET
264-3-34

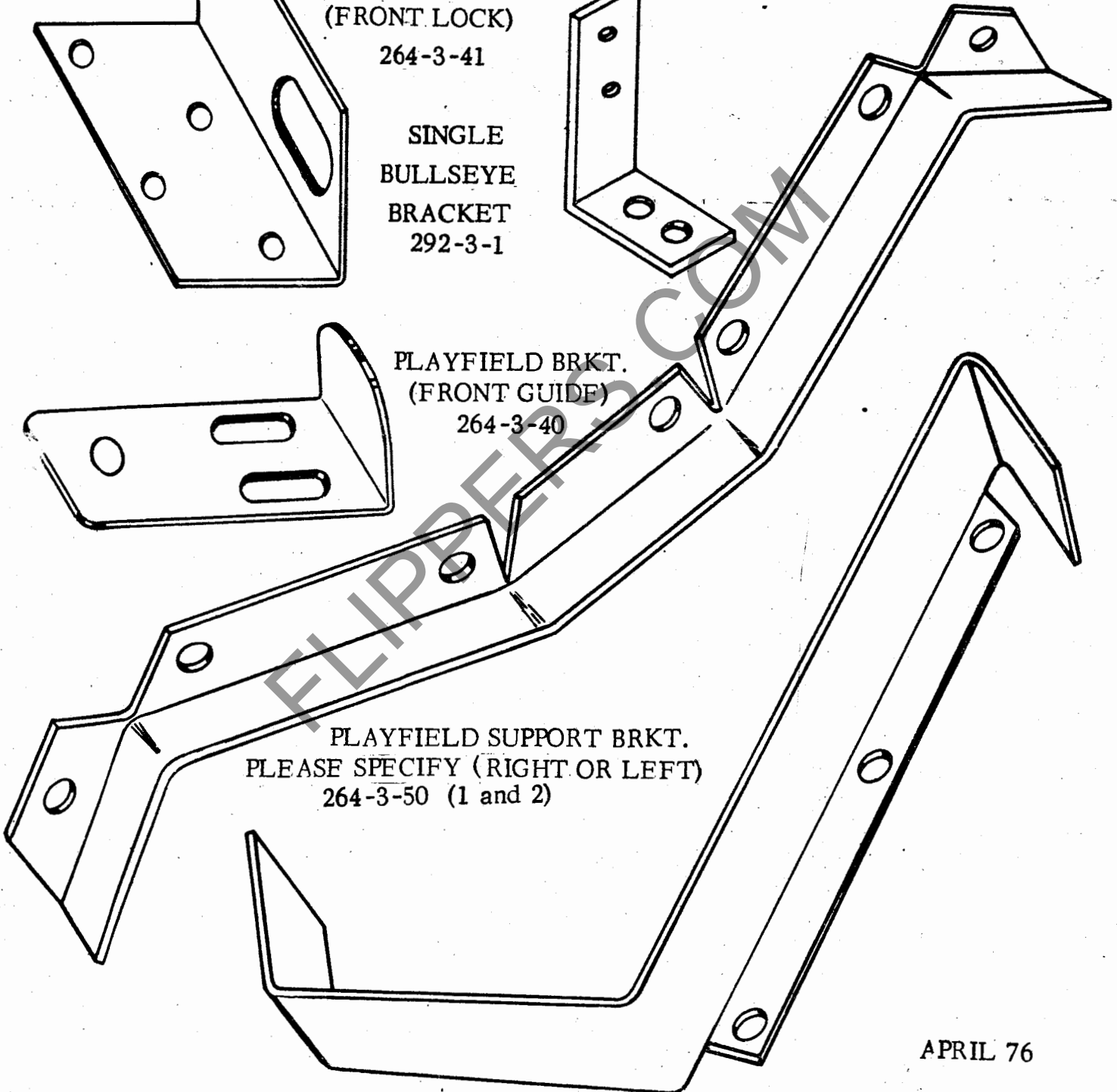


PLAYFIELD BRKT.
(FRONT LOCK)
264-3-41

SINGLE
BULLSEYE
BRACKET
292-3-1

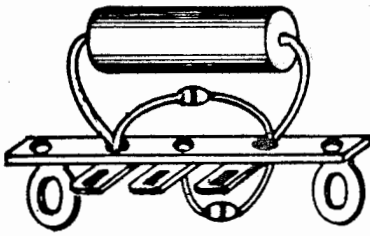


PLAYFIELD BRKT.
(FRONT GUIDE)
264-3-40

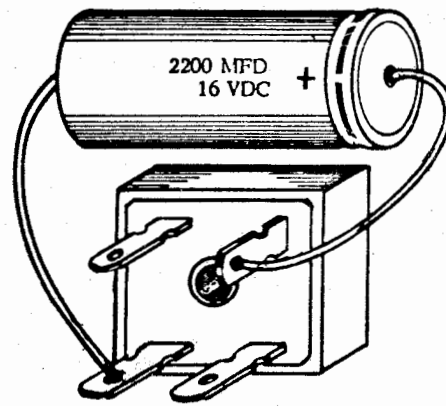


PLAYFIELD SUPPORT BRKT.
PLEASE SPECIFY (RIGHT OR LEFT)
264-3-50 (1 and 2)

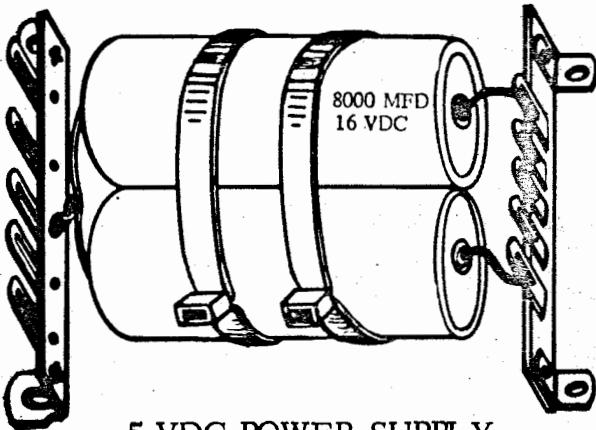
APRIL 76



264-1-165
DIODE, CAPACITOR ASS'Y.
(FLIPPER COIL)

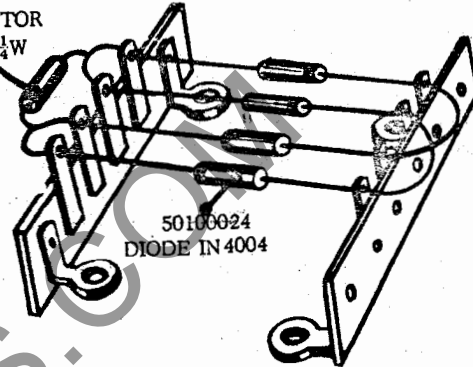


7.5 V FULL WAVE
RECTIFIER BRIDGE ASS'Y.
264-1-106



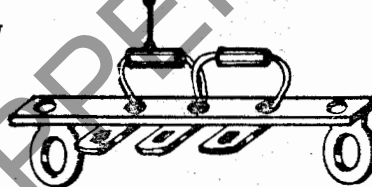
5 VDC POWER SUPPLY
FILTER ASS'Y.
264-1-108

50030072
RESISTOR
56K 1/4W



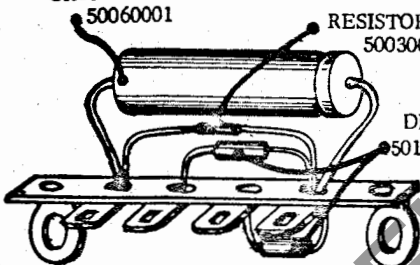
RECTIFIER BRIDGE
ASS'Y. 264-1-109

RESISTOR 2.2K 1/4W
50030001



CREDIT DISPLAY
CIRCUIT
(CURRENT LIMITER)
264-1-150

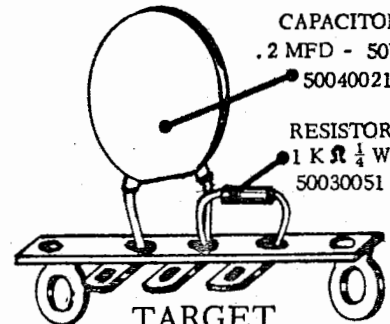
CAPACITOR - 50 MFD - 50 VDC
50060001
RESISTOR 1 K 1/2W
50030052
DIODE
50100009



POWER OFF REFERENCE CK'T.
264-1-167

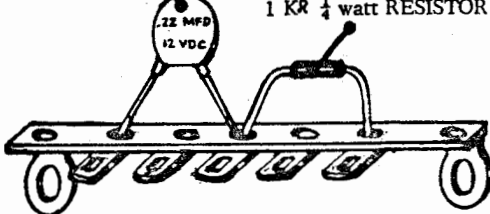
CAPACITORS
.2 MFD - 50VAC
50040021

RESISTOR
1 K 1/4 W
50030051



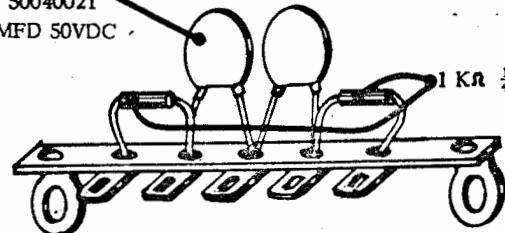
TARGET
PULL UP SEQUENCER
CIRCUIT 264-1-151

CAPACITOR .2MFD 50 VAC 50040021
12 MFD 12 VDC
1 K 1/4 watt RESISTOR 50030051

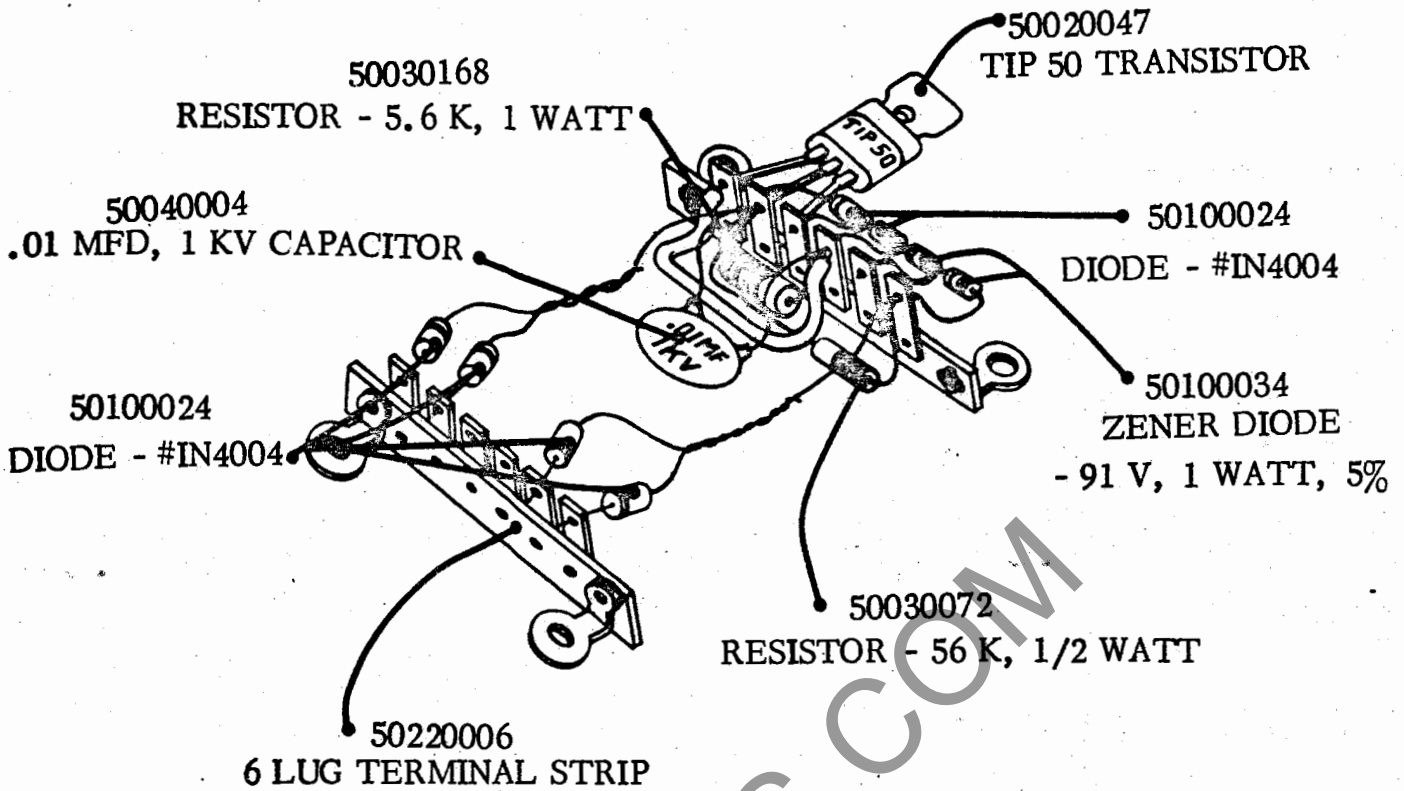


FEATURE SELECTOR CIRCUIT
264-1-149

CAPACITOR
50040021
.2 MFD 50VDC
1 K 1/4W RESISTOR
50030051

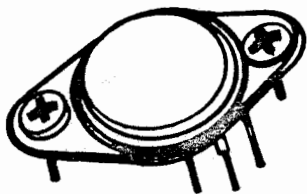


FILTER CIRCUIT CREDIT SWITCH
264-1-148



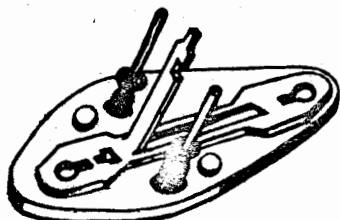
180 VOLT REGULATOR ASS'Y. 292-1-30

FLIPPERS.COM



REGULATOR 5 V 78H05

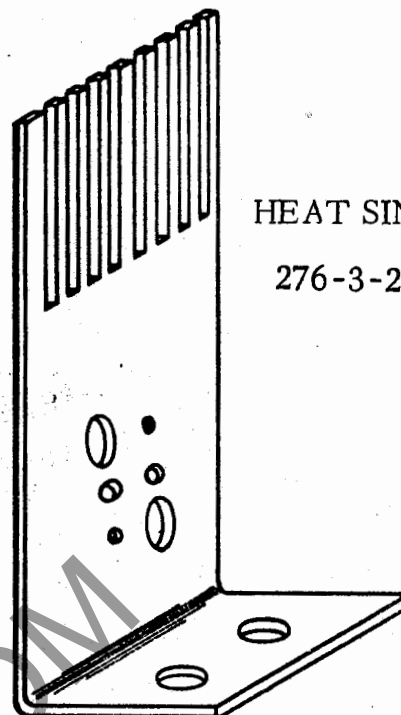
50020033



POWER TRANSISTOR

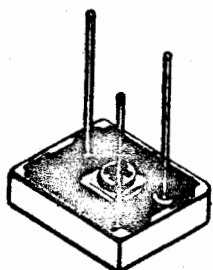
SOCKET

50020036



HEAT SINK

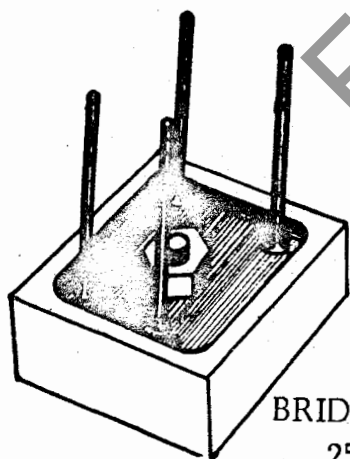
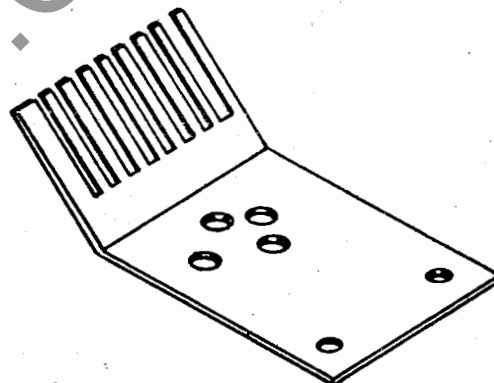
276-3-25



FULL WAVE RECTIFIER

18 VDC @ 6 AMP

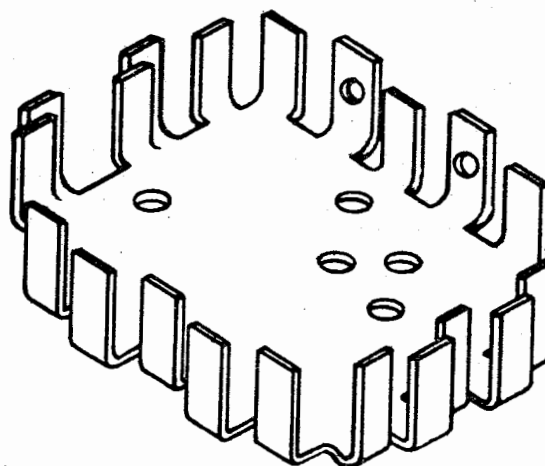
50290001



BRIDGE RECTIFIER

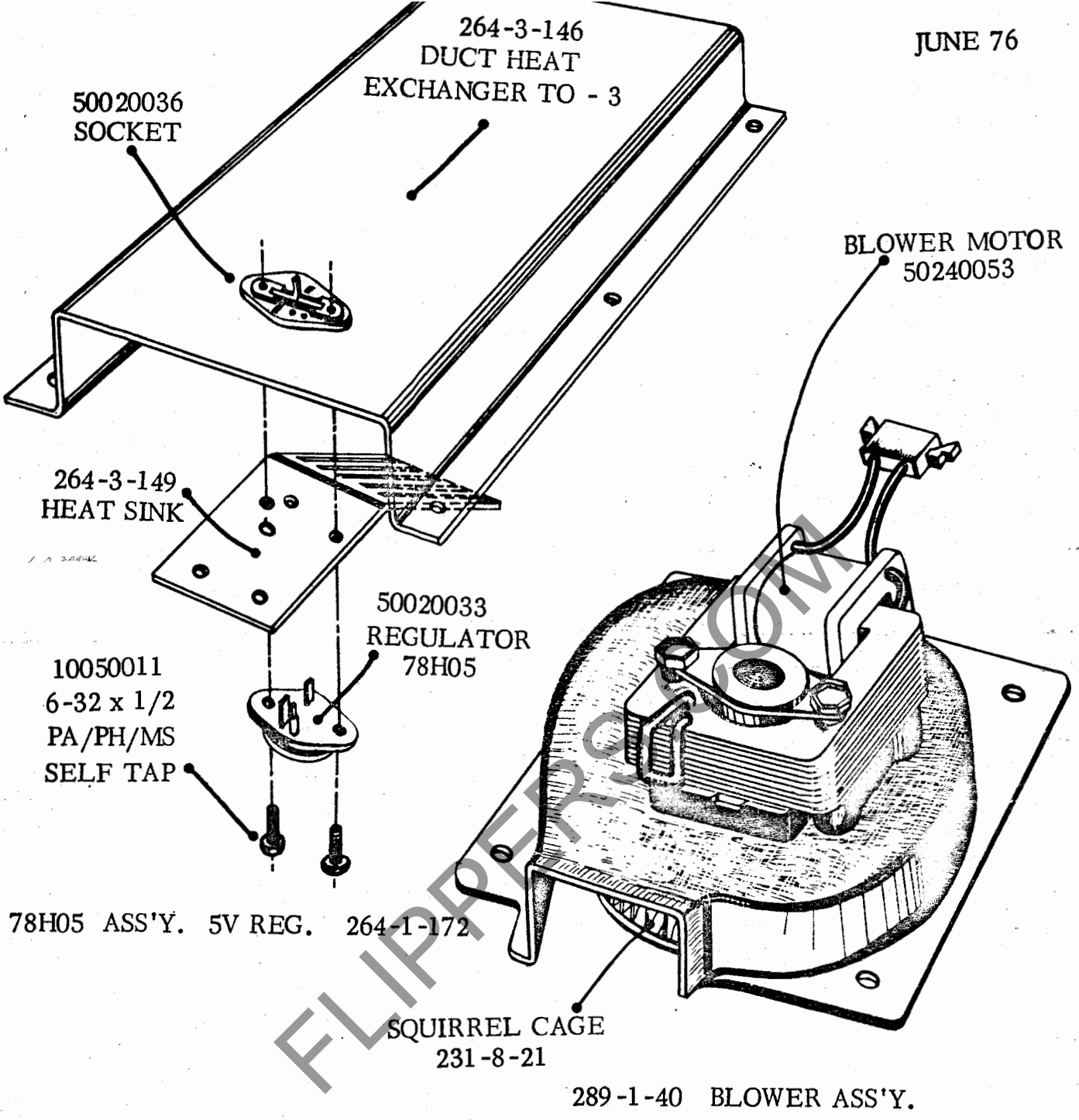
25 Amp

50100031



HEAT SINK

50090003



RECTIFIER,
HEAT SINK
ASSEMBLY
292-1-35

