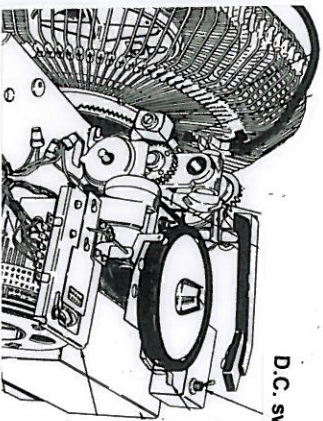


## CAM ONE fitting instructions Camshaft switch replacement suitable for AMI models H, I and J jukeboxes

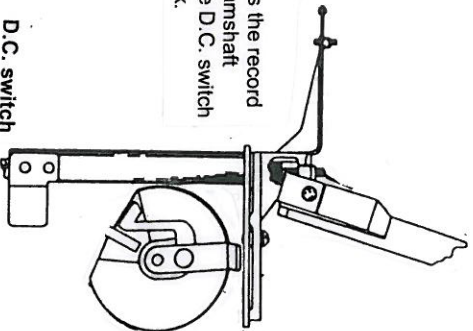
CAM ONE replaces the camshaft leaf switches that control the record transfer from the record basket to the turntable.

**Warning:** care must be taken when fitting CAM ONE as damage to the switches and/or the record changer will result if these instructions are not followed. Dangerous voltages are present inside the jukebox so if in any doubt have them fitted by a qualified electrician.

To aid in the fitting the same terminology used in the AMI service manual is used here. Looking at the CAM ONE the bank of 4 micro switches is referred to as the **Front Section** and the bank of 2 micro switches as **Rear section**.

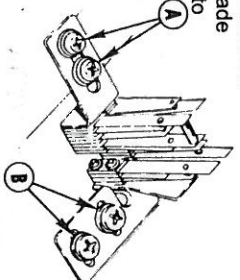


D.C. switch

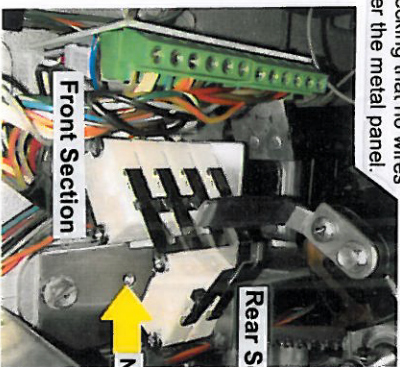


- 1) Make a record selection and as the record advances to the turntable, with camshaft approximately vertical, turn off the D.C. switch and also AC power to the jukebox.

- 2) Remove the fixing screws on the **Front Section** blade switch (A) and the **Rear Section** blade switch (B). Carefully lift both switches up to access the connecting wires. Cut all 15 wires approximately 10 – 15mm from the switch solder joints.



- 3) Slide CAM ONE into position previously occupied by the leaf switches and line up the four fixing holes. Note the fourth hole (shown) is not used. Fit and tighten three screws checking that no wires have been trapped under the metal panel.

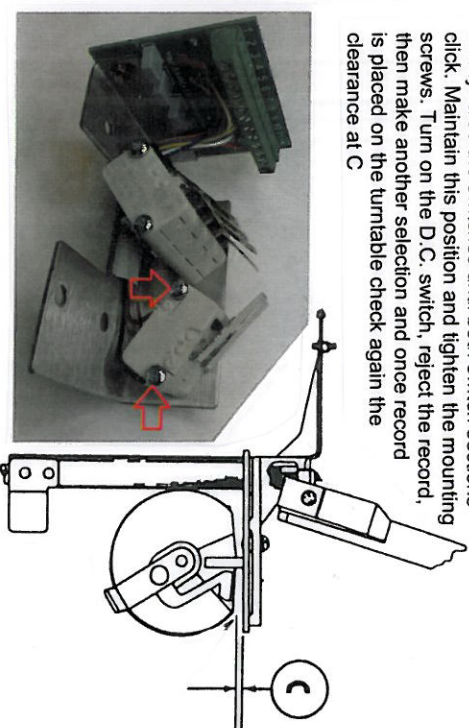


- 4) Strip all 15 wires approximately 5mm from the ends. Identify each wire colour and match with the screw terminal number as listed below. Note there may be some discoloration in the ageing of these wires which can lead to connection errors. It is recommended that each connection is checked at least twice to avoid this.

Terminal	AMI	Bal-AMI
1	Slate/White	Black/White
2	White (2 wires)	White (2wires)
3	Blue	Blue
4	Orange (2 wires)	Orange (2 wires)
5	Brown/White	Brown/White
6	Black (2 wires)	Black (2 wires)
7	Green/White	White/Red
8	Orange/White	Yellow/Orange
9	Slate	Grey
10	Brown	Brown
11	Red (2 wires)	Red (2 wires)

- 5) Turn on the AC power to the jukebox. Whilst watching the camshaft, turn on the D.C. switch. The record should be placed on the turntable at which point the **Rear Section** switch will activate. If this does not happen immediately turn off the D.C. switch and refer to the **Fault Finding** section to investigate.

- 6) With section 5 completed check and adjust the clearance of the CAM PLATE and the rear flat section of the cam. The clearance at C should be 0.5 to 1.5mm. To set this turn off the D.C. switch and rotate the transfer motor armature until the correct clearance has been met. In this position slacken the two mounting screws (red arrows) on the **Rear Section** switches and lower them to the bottom of their mounting slot. Then slowly raise the switches until both switch sections click. Maintain this position and tighten the mounting screws. Turn on the D.C. switch, reject the record, then make another selection and once record is placed on the turntable check again the clearance at C



- Fault Finding**
- After fitting CAM ONE with AC power and D.C. switch on, camshaft does not move:
- Check wiring to CAM ONE screw terminals. This includes correct wire colour to terminal number, wires not clamped by terminals or where there are 2 wires sharing a terminal check they are twisted together and both clamped.
- Record placed on turntable but the camshaft and gripper will no longer move:
- Check the transfer motor did not bind by over travel of the camshaft due to the **Rear Section** switches being too low. If it has turn the transfer motor armature as in section 6.
- When the camshaft activates the switches a buzzing sound can be heard:
- Suspect the toggle shifter has been accidentally moved during the fitting process.