

TI - MA 152

(0080584)

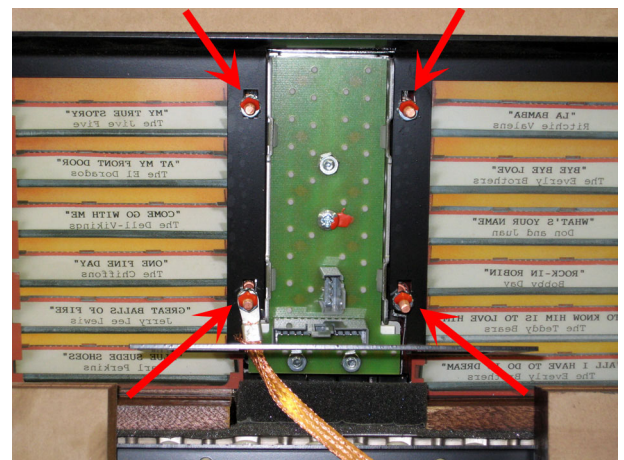
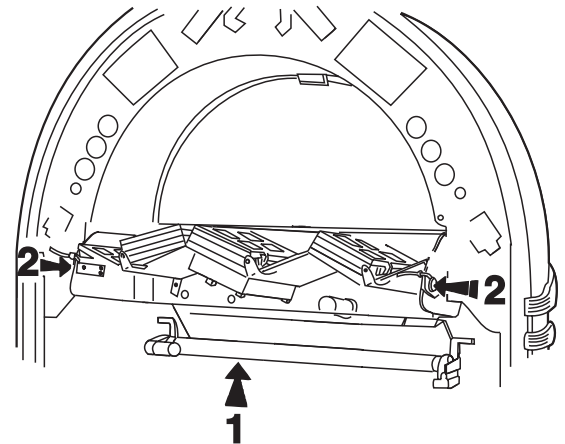
11/08 GR-rs

Deutsche Wurlitzer GmbH
 Wurlitzerstraße 6
 D-32609 Hüllhorst
 Tel. +49 (0)5744 - 941-0
 Fax +49 (0)5744 - 941 220
 www.deutsche-wurlitzer.de
 contact@deutsche-wurlitzer.de

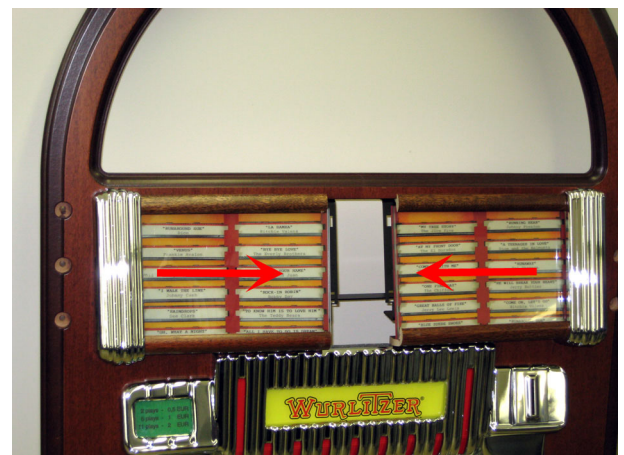
Retrofit kit ONE MORE TIME CD - iPod chrome, K99/F91 amplifier, part no. 0079793

Procedure:

1. Disconnect the jukebox from the main power supply.
2. Turn the fluorescent tube and remove it (1).
3. Disconnect the plug of the page system at the bottom.
4. Release the page system with the 2 buttons (2) on both sides. Lift up the page system and remove it.
5. Loosen the nuts behind the keyboard and remove it to the front. A 7mm socket wrench is included in the kit.



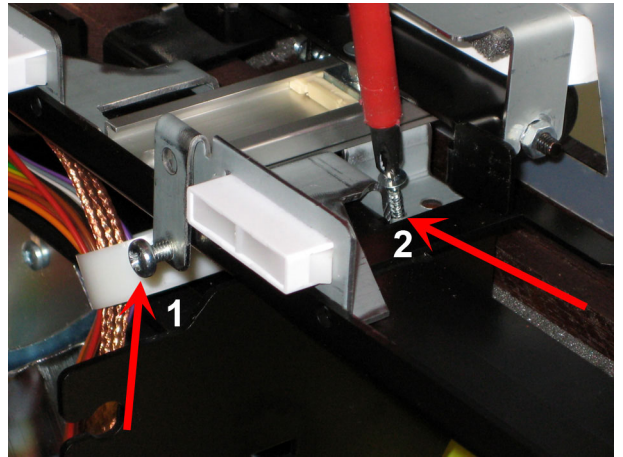
6. Slide out the left and right labels to the middle.



7. Insert the new black labels. The one with the cutout belongs to the right position (view from the front).
8. Mount the keyboard to the original position and connect the cables.



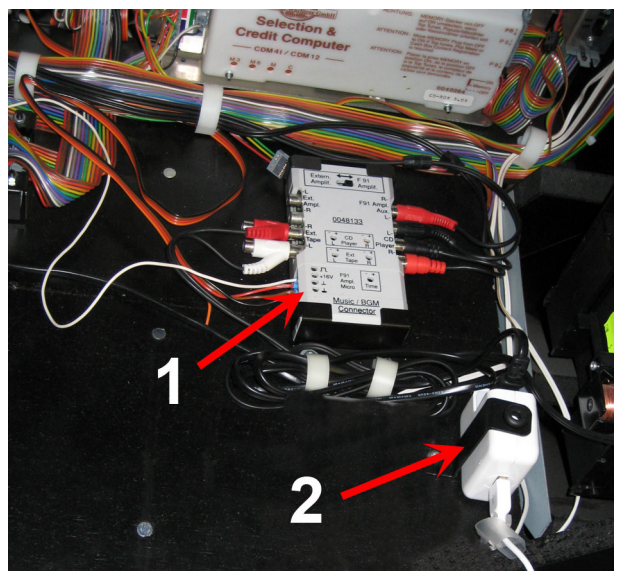
9. Insert the iPod module from the back and fix it with a self-cutting screw M4x8 (pos. 1) and a wood screw 3x13mm (pos. 2).



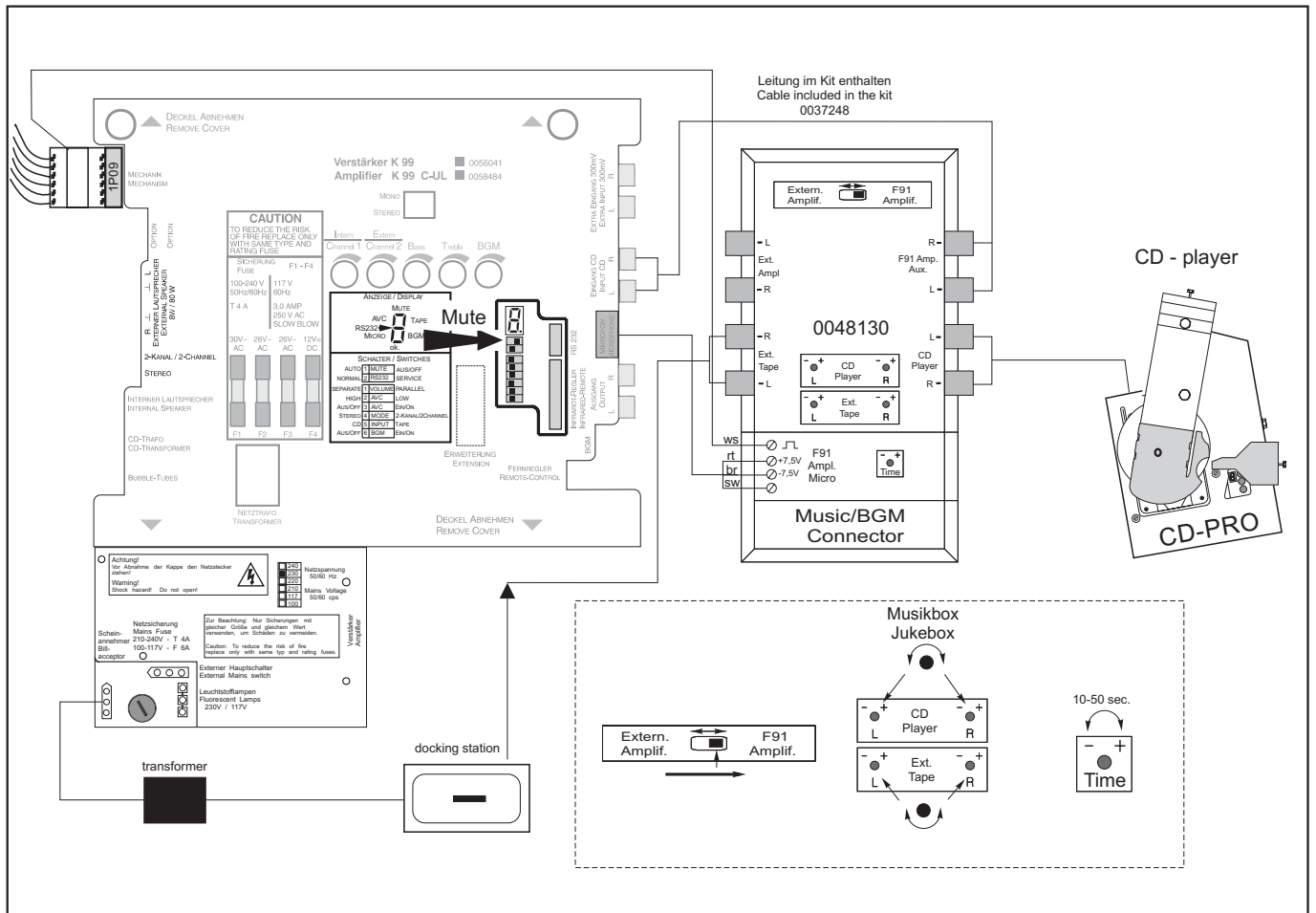
10. Pull out the docking station and mount the stainless steel plate with 2 hexagon nuts M4 from behind.



11. Mount the BGM connector (pos.1) and the power supply for iPod (pos. 2) with the brackets attached to the kit in front of the selection & credit computer.



12. Connect the wires as shown in the diagram below.



Adjustment of the Music/BGM connector

- Set slide switch in direction F91 amplifier.
- Trim potentiometer 'CD player' on max.
- Trim potentiometer 'Ext. tape' adjustable to the volume of the BGM music in the jukebox.
- Trim potentiometer 'Time' adjustable between 10 - 50 sec.

K99 amplifier

- Set the top DIP switch 'mute' of the 2 switches block to OFF to disable mute in stand-by.
- Insert P9 sub plug between P9 plug and socket on the power amp board.

13. Last step!

Insert the page system and the fluorescent tube again.

The iPod is in operation now. Only if a CD is selected the sound of the iPod is interrupted.