

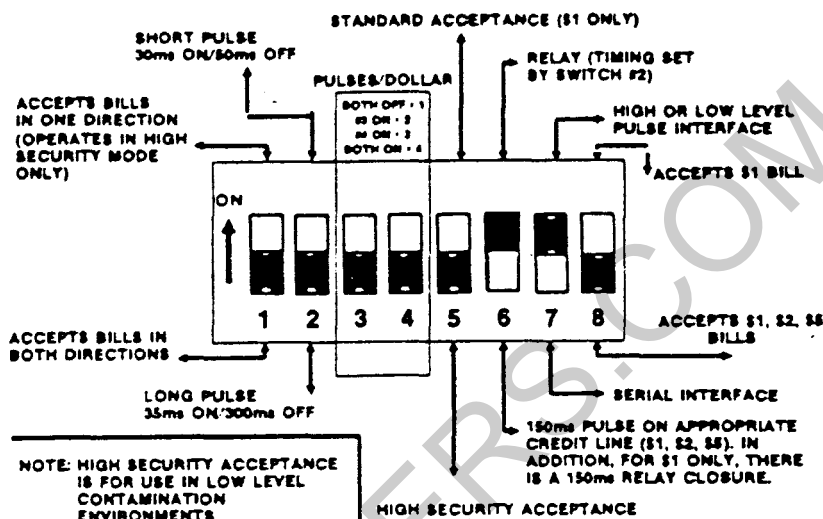
**Installation instruction for
Bill Acceptor Type VFM 3
with Cash Box in OMT-CD**

TI-MA-51 III/90

1) Set Bill Acceptor Option Switches

The bill acceptor option switches are factory pre-set as shown below. This allows for \$1, \$2 and \$5 acceptance and bi-directional insertion of the dollar bill and High or Low Level interface (automatically configures from harness).

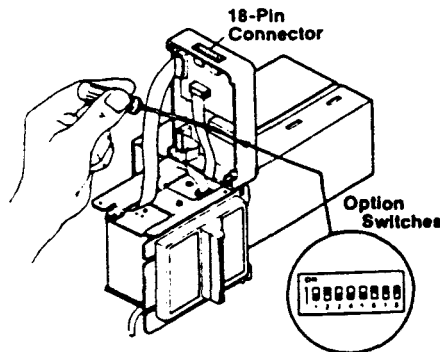
VFM3 BILL ACCEPTOR



Option Switch Functions

NOTE: The Standard Accept Mode (switch #5 on) recognizes only bi-directional acceptance of the dollar bill, regardless of switch #1 setting.

- * Disengage Control Board/Cover Assembly
The bill acceptor option switches allow the unit to be customized to the installation. Locate the option switches by loosening the two (2) captive screws at opposite corners of the black cover and disengaging the Control Board/Cover Assembly.



Setting the Option Switches

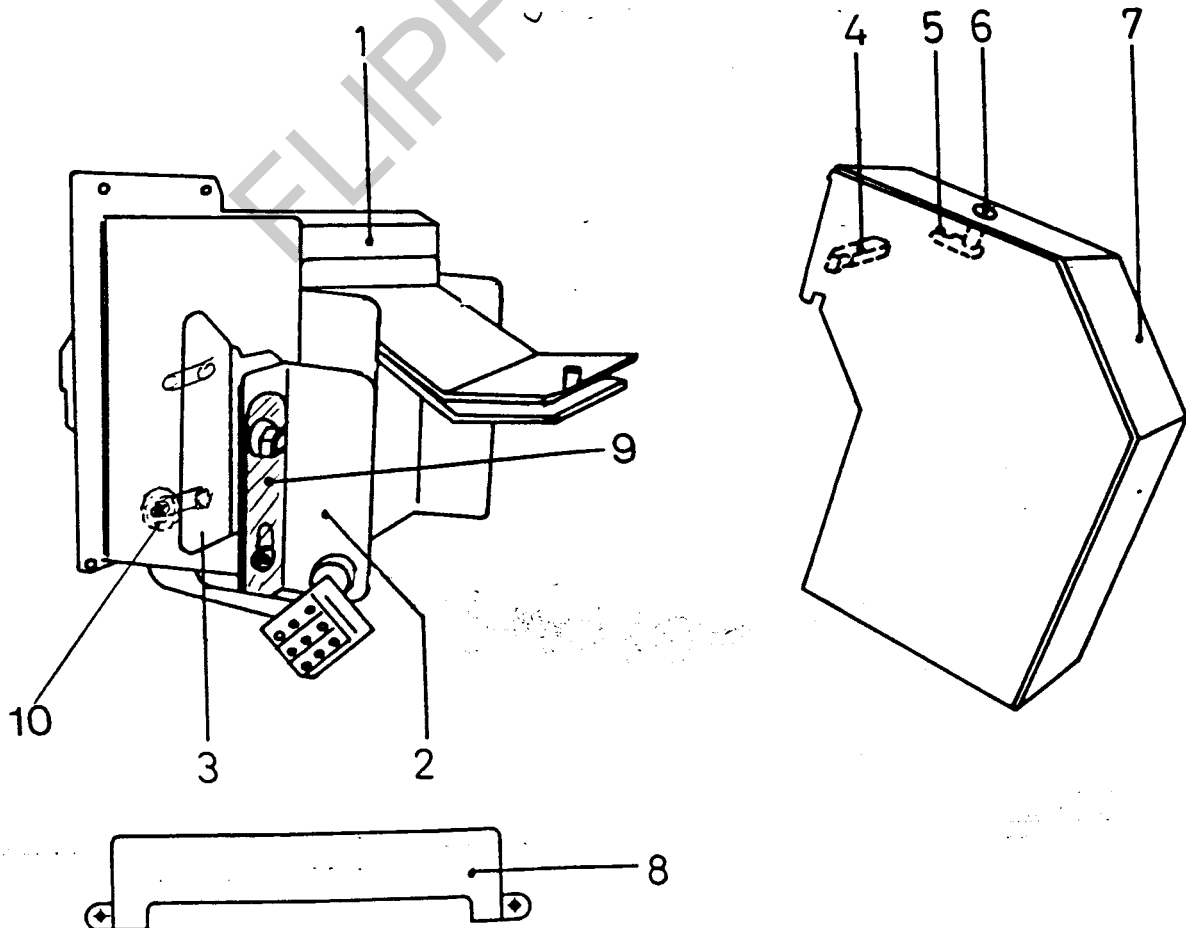
- * Set the switches with a retracted ball point pen or small screwdriver. Do not use a graphite pencil point. Replace the Control Board when switches are set.

2) Installation:

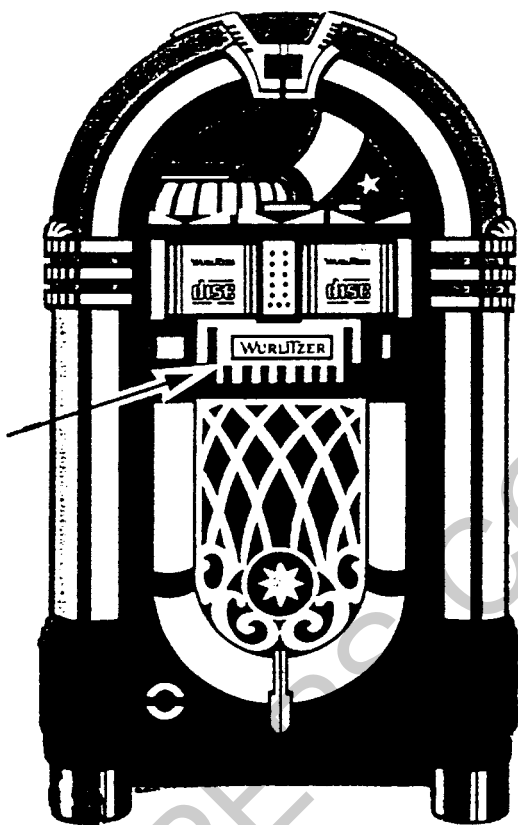
a. For installation following parts are included in the kit:

Einbausatz Scheinannehmer	Mounting Kit Note Acceptor	Bestellnummer/ Part number
1 Chassis Scheinannehmer, geschw.	Chassis for note acceptor	0016160
2 Einstellblech, rechts/links	Adjustment plate, right/left	0000862
3 Stellblech, rechts/links, geschw.	Mounting plate, right/left	0009429
4 Magnetverschluss	Magnetic latch	0013463
5 Schließhebel	Catch, lock	0013290
6 Zylinderschloß (2 Schlüssel)	Lock (2 keys)	0013729
7 Kasse, geschw.	Cash box	0008770
8 Blende für Scheinannehmer	Frame for note acceptor	0000354
9 Justagewinkel	Adjustment bracket	
10 Stellschraube	Locking screw	

Figure 1



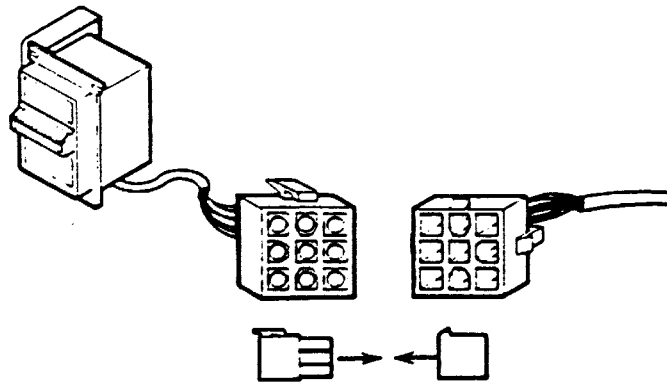
3. Loose the 4 nuts from inside of the door which hold the coin entry escutcheon until this part can be removed from door casting of approx. 2cm. (0,8 inch).



4. Remove the stainless steel insertion cover (figure 1, pos. 8) by loosening 1 screw of each side. Also loose 4 nuts from inside which hold the Wurlitzer sign (figure 2, pos. 13). Mount the new Wurlitzer logo with the cut out for the Bill Acceptor mouth.
5. Screw one mounting plate with 2 nuts (figure 1, pos. 3) on the right and left side of the cash frame holder. Before mounting the Bill Acceptor in the door it is necessary to assemble this Acceptor into a chassis. The chassis consists of a front and a back rack. Draw the front holder over the mouth part of the Bill Acceptor and fasten the acceptor with 4 self cutting screws.
6. Install the prepared Bill Acceptor assembly with the back holder and the adjustment brackets (left and right, figure 1, pos. 9) at the mounting plate. Screw toughly the unit in the door and adjust that the acceptance slot fits correctly into the door casing. After tightening of the screw lock the adjustment brackets with one self cutting screw each (figure 1, pos. 3).

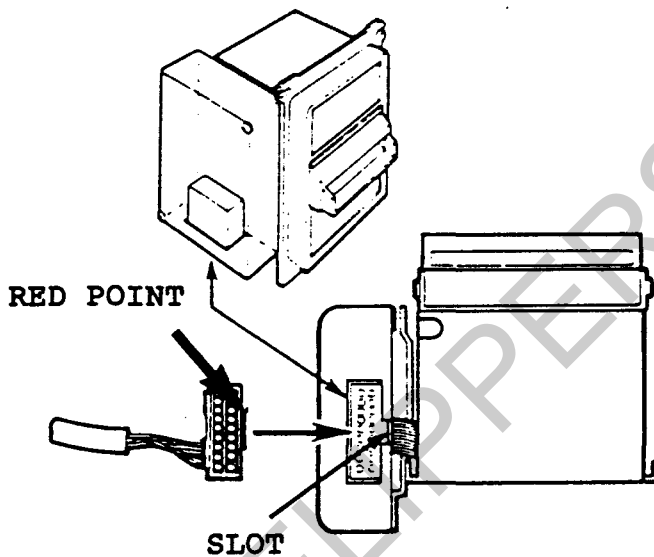
7) Connection of bill acceptor

- a) Connect the harness with the 9pole plug to the bill acceptor.



Seating the 9-Pin Connector

- b) Plug the 18pin connector in the control board as shown below:



Seating the 18-Pin Connector

Attention!

Insert this 18pole connector the right way round! (No re-versing protection) Right way is with the connector's colour mark Red Point facing the same plane as the Bill Acceptor's manufacturer label, not facing to slot.
In case of mark getting lost: With the Bill Acceptor placed upright to normal working position and looking at its front, the group of six wires marks the rear end of the plug.

Interface 18-Pin Connector

Pin 1	N/C	Pin 10	N/C
Pin 2	N/C	Pin 11	N/C
Pin 3	N/C	Pin 12	N/C
Pin 4	N/C	Pin 13	N/C
Pin 5	N/C	Pin 14	N/C
Pin 6	ESCROW RETURN, High	Pin 15	S1 ENABLE, Low
Pin 7	S5 ENABLE, High	Pin 16	S2 ENABLE, Low
Pin 8	S2 ENABLE, High	Pin 17	S5 ENABLE, Low
Pin 9	S1 ENABLE, High	Pin 18	ESCROW RETURN, Low

Phonograph with Bill Acceptor Typ VFM 3 without stacker

