

# INFORMATION

# WURLITZER

DEUTSCHE WURLITZER GMBH

WERK LEVERN

4995 STEMWEDE 1 · POSTFACH

Telefon (0 57 45) 2 80 · Telefax (0 57 45) 28 70

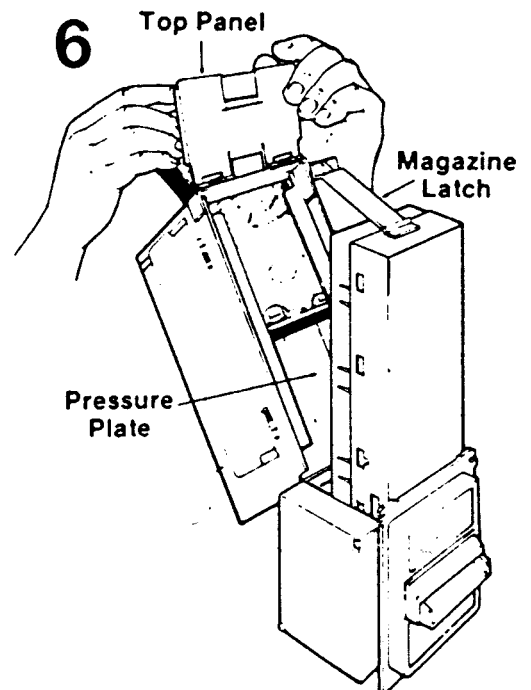
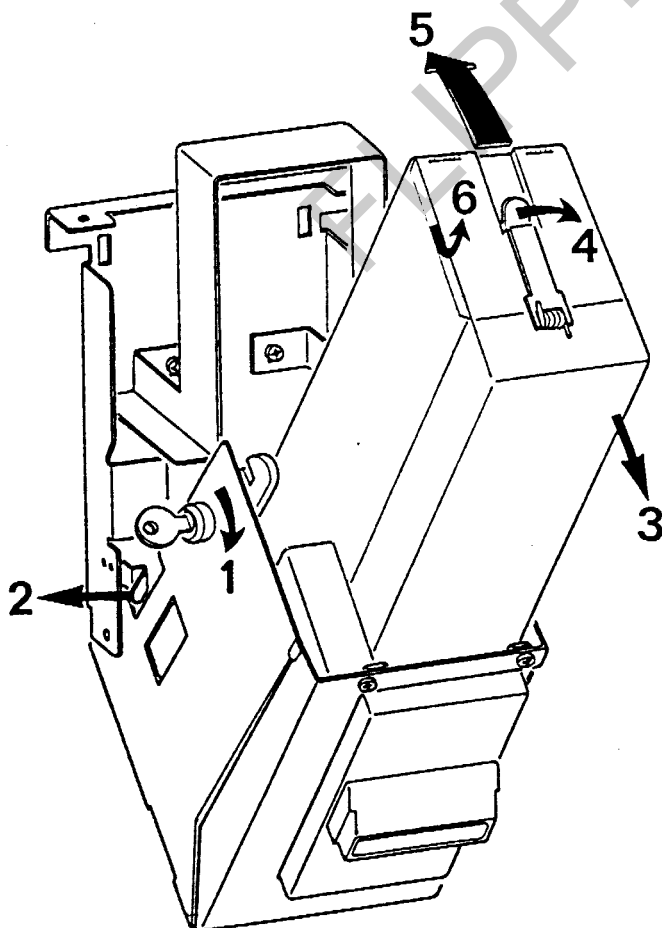
TI-MA-66a

## Bill Acceptor in NEW ORLEANS CD

### Removing of bills from magazine

1. Turn key clockwise until latch is in upper position.
2. Release flat spring.
3. Turn assembly to front.
4. Open magazine by releasing the latch.
5. Turn magazine to the rear.
6. Remove bills through the top.

Note: Do not remove bills from inside the bill acceptor by pressing down on the pressure plate. This can damage the magazine.

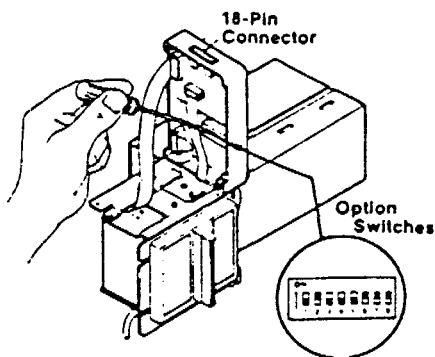


Removing Bills from  
the Magazine

**Instruction for installation Bill Acceptor  
Type VFM 2 and VFM 3 in New Orleans CD**

The New Orleans CD is prepared from factory for the installation of the Bill Acceptor Type VFM2 with 200 or 400 bill stacker. To install the Type VFM3, a separate cable loom and an interface are necessary. Part numbers for ordering are shown in the wiring diagram "Phonograph with Bill Acceptor Type VFM3".

Before installation prepare bill acceptor as follows:



Setting the Option Switches

Figure 1

- 1a. Disengage Control Board/  
Cover Assembly of note acceptor. The bill acceptor option switches allow the unit to be customized to the installation. Locate the option switches by loosening the two (2) captive screws at opposite corners of the black cover and disengaging the Control Board/Cover Assembly.

- b. Set the switches with a retracted ball point pen or small screwdriver as shown in figure 2 and 3. Do not use a graphite pencil point. Replace the Control Board when switches are set.
- c. Setting of Bill Acceptor Option Switches  
This setting allows \$1, \$2 and \$5 acceptance and bi-directional insertion of the dollar bill and High or Low Level interface (automatically configures from harness).

Note to VFM 3: The Standard Accept Mode (switch #5 on) recognizes only bi-directional acceptance of the dollar bill, regardless of switch #1 setting.

Figure 2

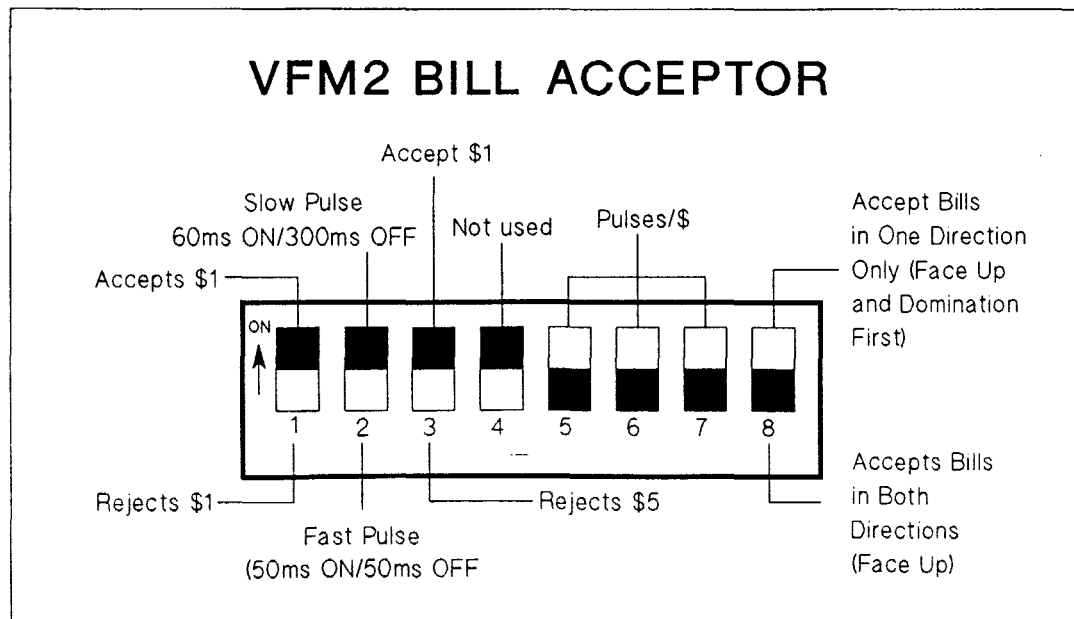
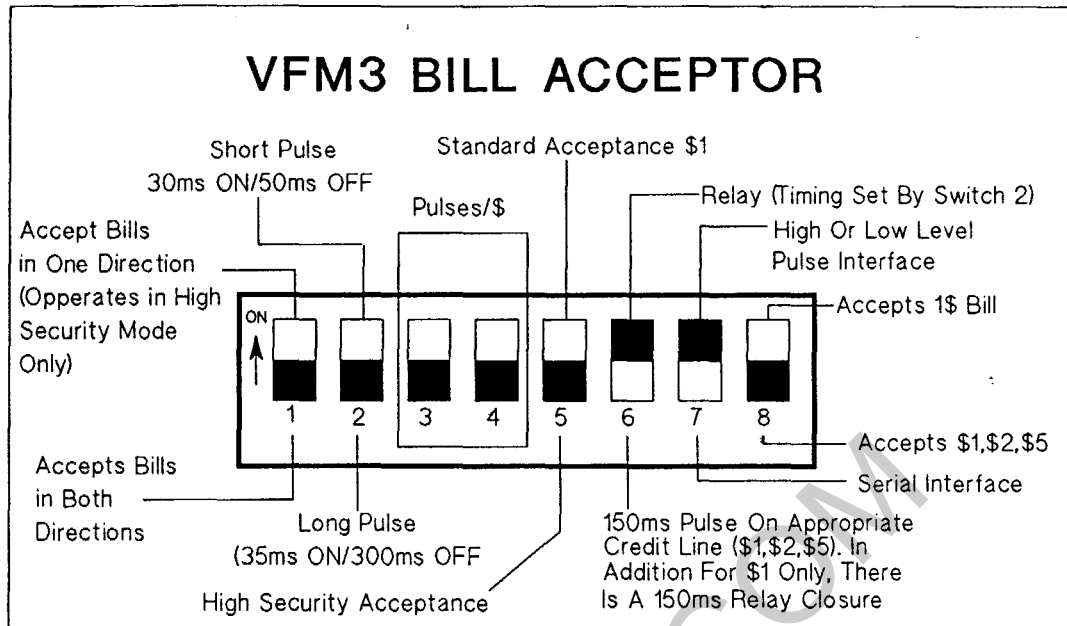


Figure 3



*Note: HIGH SECURITY ACCEPTANCE IS FOR USE  
IN LOW LEVEL CONTAMINATION ENVIRONMENTS*

#### Installation of bill acceptor:

1. Remove cover (figure 4) from the top casing by loosening the 4mm nuts from inside.

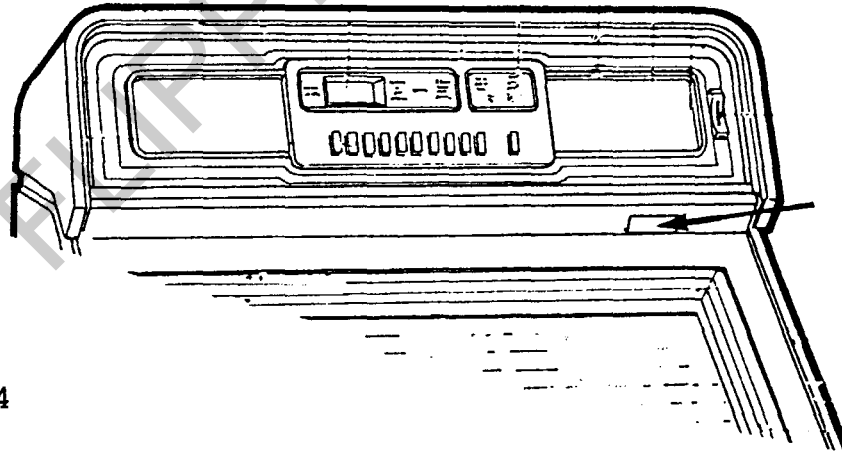


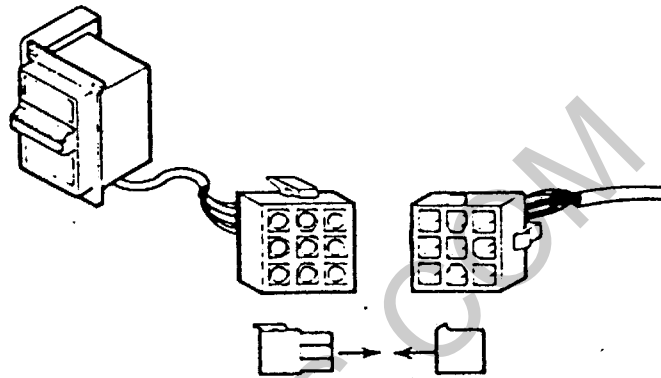
Figure 4

The following detailed description refers to figure 5:

2. Mount slot plate (pos. 12), re-using the nuts from inside.
3. For mounting of the bill acceptor turn key (pos. 6) clockwise and turn support housing to front.
4. Screw in mounting plate (pos. 4) with screws M4, 16mm long. Do not fasten the mounting plate.
5. Insert the bill acceptor from top, the bottom end should be inserted between the support housing and the mounting plate.

6. Screw thoroughly the bill acceptor with the top screws and nuts (pos. 9 + 10) at the support housing.
6. Push bill acceptor to the back and lock unit with the key.
7. Tighten the 2 buttons and the 2 top screws. Before, please check that the acceptance slot fits correctly into the opening if lid is closed.
8. Connection of bill acceptor
  - a) Connect the harness with the 9 pole plug to the bill acceptor (figure 6).

Figure 6



Seating the 9-Pin Connector

- b) Plug the 18 pin connector in the control board as shown in figure 7:

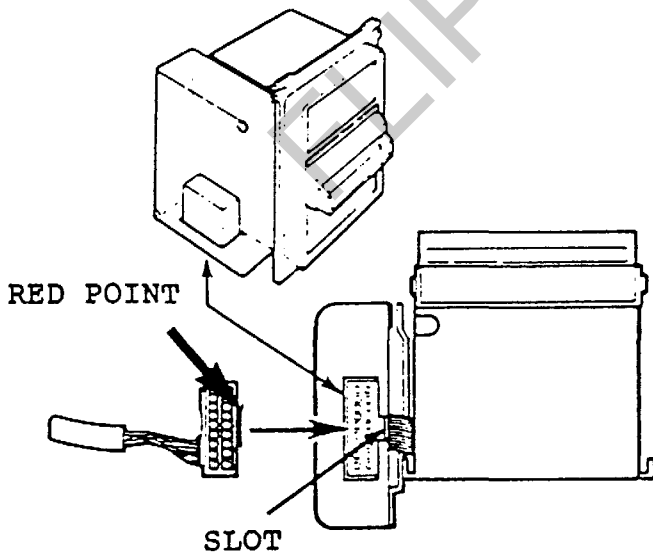


Figure 7

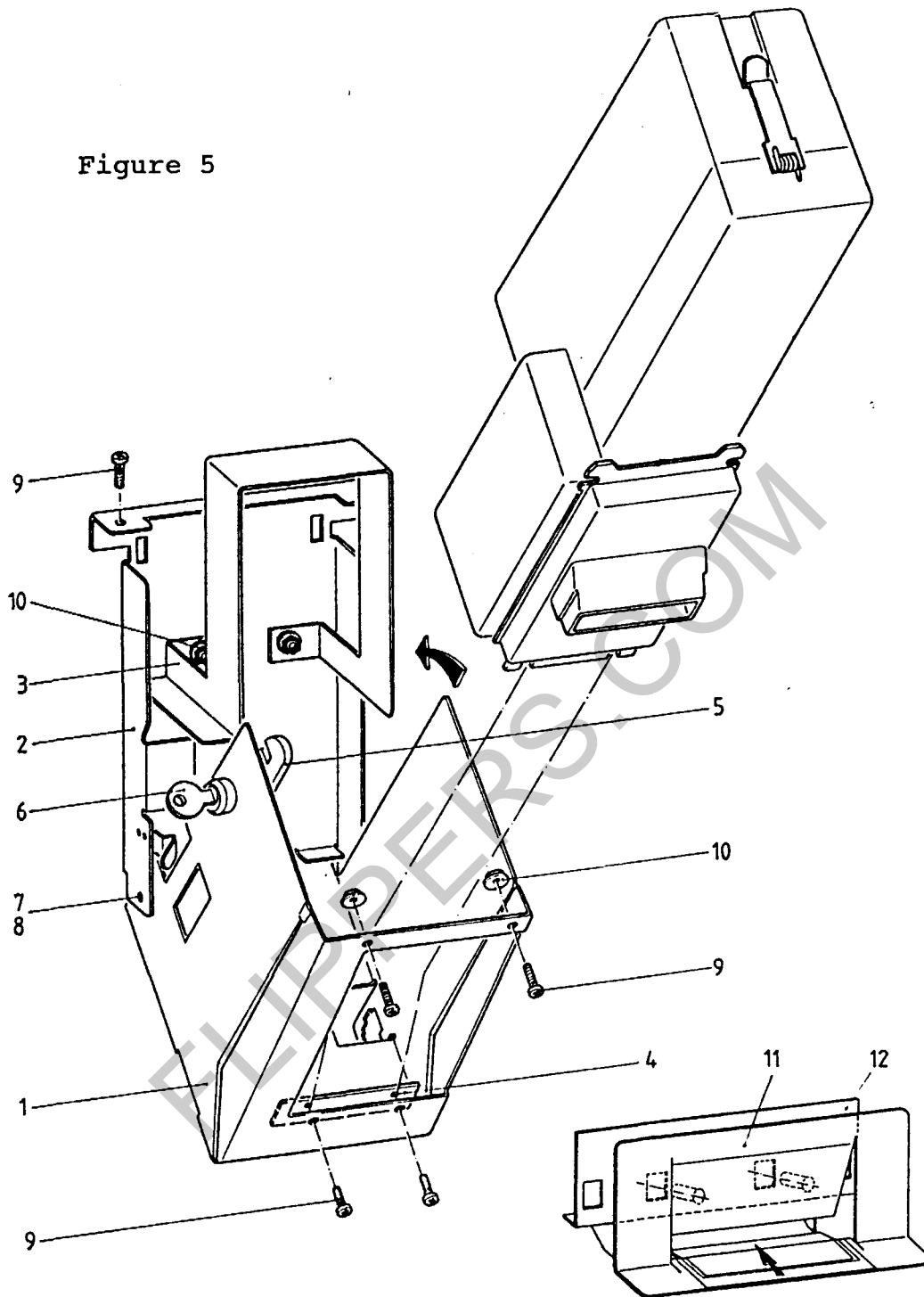
**Attention:**

Insert this 18pole connector the correct way round! (No re-versing protection). Correct way is with the connector's Red Dot facing the same plane as the bill acceptor's manufacturer label, not facing a slot.

In case of dot getting lost: with the bill acceptor placed upright to normal working position and looking at its front, the group of six wires marks the rear end of the plug.

Never pull on wires, always grasp plug securely.

Figure 5



Ersatzteilliste für  
Einbausatz Scheinannehmer

1	Tragblech f. Dollar Bill
2	Halterung genietet
3	Bügel
4	Befestigungslasche
5	Schließhebel
6	Kassenschloß
7	Bolzen
8	Sicherungsscheibe
9	Linsenschraube M4 16mm lang
10	Combinutter M4
11	Blende lackiert
12	Halter für Blende

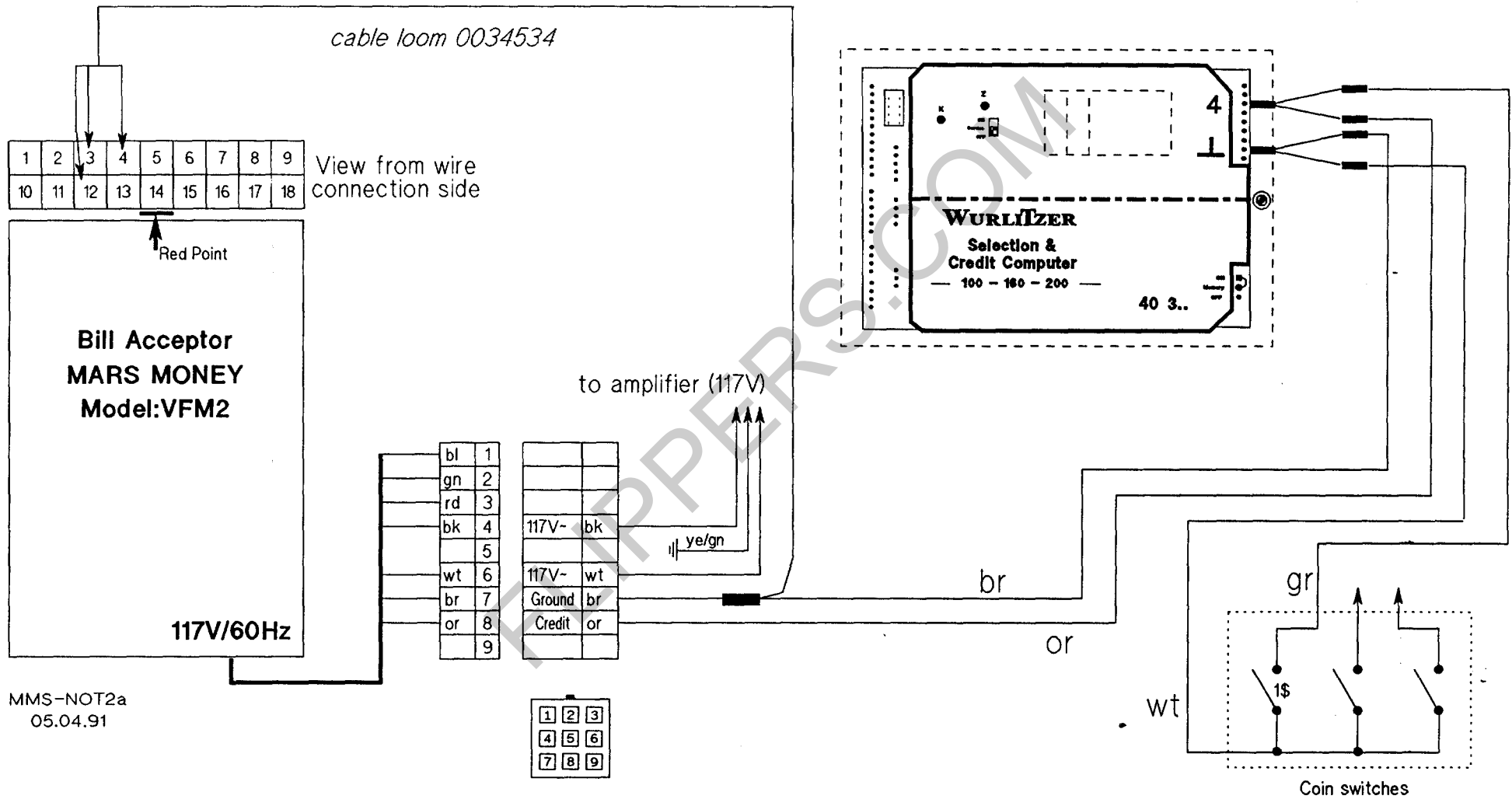
Spare parts list for  
mounting kit note acceptor

1	Support housing
2	Bracket
3	U-bracket
4	Mounting plate
5	Catch lock
6	Cash lock
7	Bolt
8	Retaining ring
9	Head screw metric M4 16mm long
10	Combi nut M4
11	Slot plate
12	Support for slot plate

Nummer/  
Number

0035632
0035700
0036153
0035629
0013290
0013729
0013415
0012543
0013102
0012522
0036696
0006560

# Phonograph with Bill Acceptor Type VFM 2



# Phonograph with Bill Acceptor Type VFM 3

