

INFORMATION

WURLITZER

DEUTSCHE WURLITZER GMBH
WERK LEVERN

4995 STEMWEDE 1 · POSTFACH
Telefon (0 57 45) 2 80 · Telefax (0 57 45) 2 8 20

TI-MA-68a

Instruction for installation Bill Acceptor Type VFM 2 and VFM 3 in New York, NY

The New York CD is prepared from factory for the installation of the Bill Acceptor Type VFM2 with 200 or 400 bill stacker. To install the Type VFM3, a separate cable loom and an interface are necessary. Part numbers for ordering are shown in the wiring diagram "Phonograph with Bill Acceptor Type VFM 3".

Before installation prepare bill acceptor as follows:

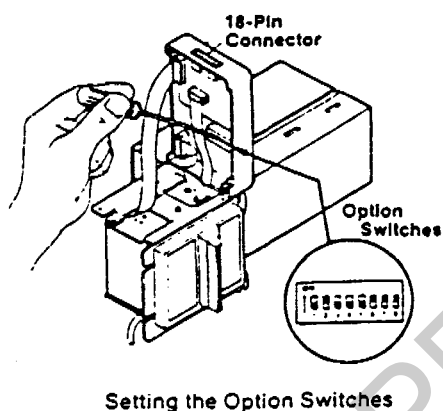


Figure 1

- 1a. Disengage Control Board/
Cover Assembly of note accep-
tor.
The bill acceptor option swit-
ches allow the unit to be cu-
stomized to the installation.
Locate the option switches by
loosening the two (2) captive
screws at opposite corners of
the black cover and disengaging
the Control Board/Cover Assem-
bly.

- b. Set the switches with a retracted ball point pen or small screwdriver as shown in figure 2 and 3. Do not use a graphite pencil point. Replace the Control Board when switches are set.
- c. Setting of Bill Acceptor Option Switches
This setting allows \$1, \$2 and \$5 acceptance and bi-directional insertion of the dollar bill and High or Low Level interface (automatically configures from harness).

Note to VFM 3: The Standard Accept Mode (switch #5 on) recognizes only be-directional acceptance of the dollar bill, regardless of switch #1 setting.

Figure 2

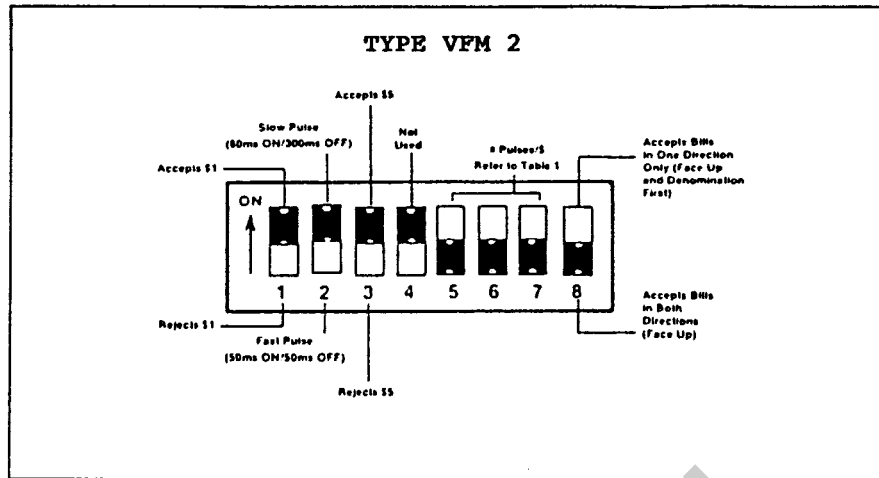
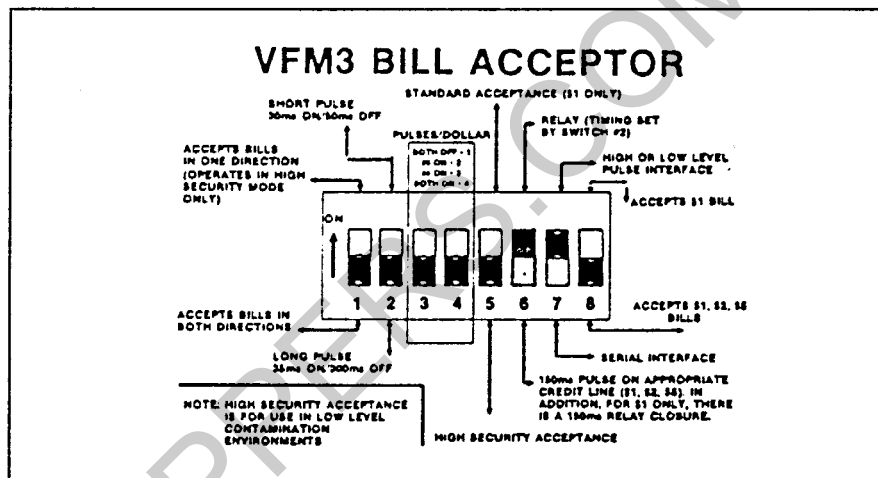


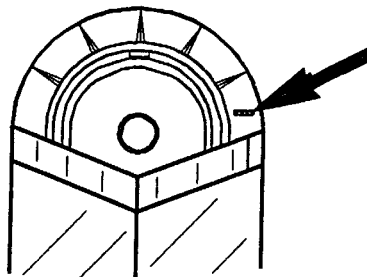
Figure 3



Installation of bill acceptor:

1. Remove cover from the front lid by loosening two 4mm nuts from inside.

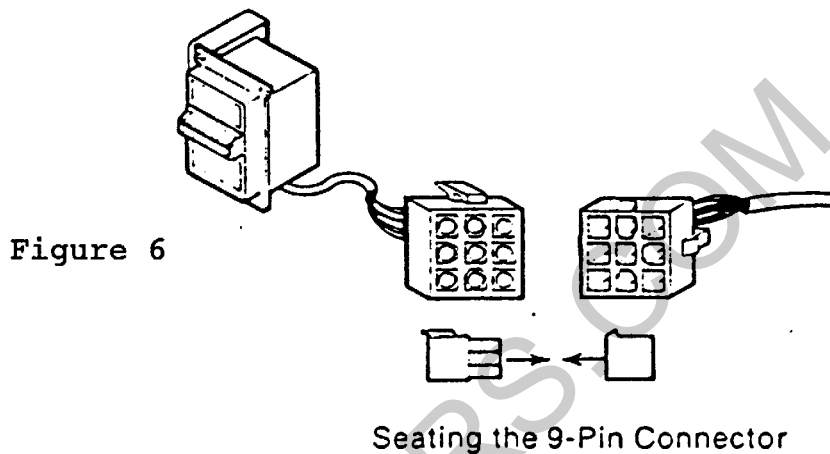
Figure 4



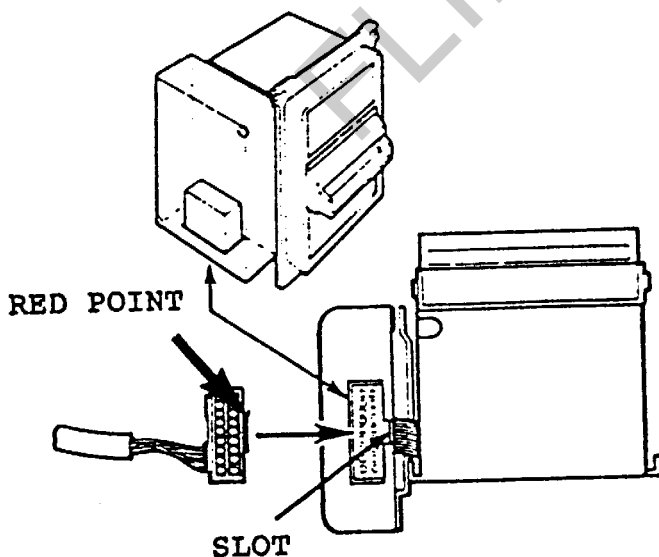
The following detailed description refers to figures 8 or 9 on the next pages, depending on the machine number.

2. Mount the slot plate (pos. 10), re-using the nuts from inside. The slot plate can be found in the cash box bag.
3. Four self tapping screws 4mm, 10mm long, are in a plastic bag attached to the operating instructions. Screw two of them in the bottom position (pos. 2) of the bill acceptor's support housing.

4. Insert the bill acceptor from behind and fasten it at the top (pos. 2), using the other two screws. Tighten the bottom screws as well.
5. Turn down carefully the top lid of the jukebox and check that the mouth fits correctly with the slot plate.
6. Adjust if necessary by means of the nuts with washer (pos. 9).
7. Connection of bill acceptor
 - a) Connect the harness with the 9 pole plug to the bill acceptor (figure 6).



- b) Plug the 18 pin connector in the control board as shown in figure 7:



Attention:

Insert this 18pole connector the correct way round! (No re-versing protection). Correct way is with the connector's Red Dot facing the same plane as the bill acceptor's manufacturer label, not facing a slot.

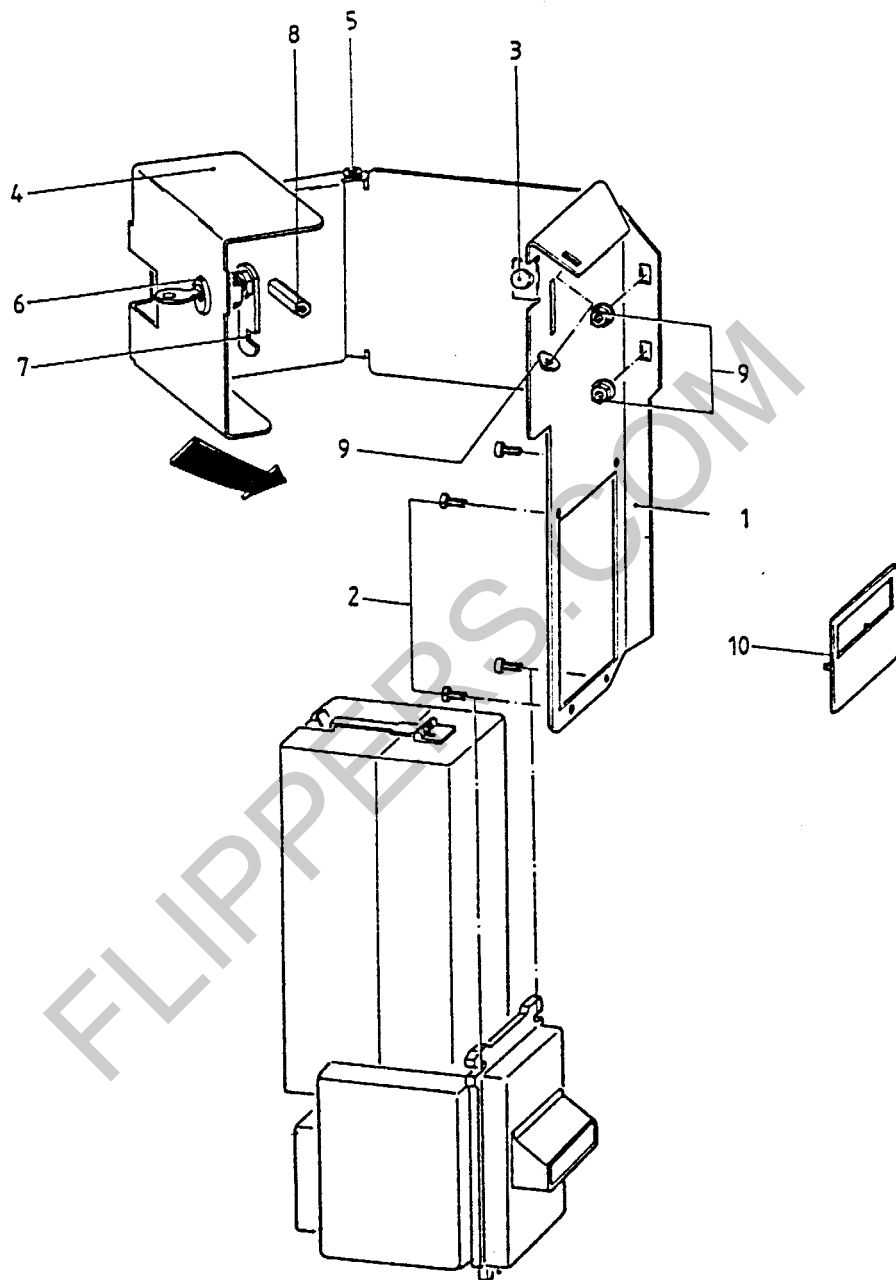
In case of dot getting lost: with the bill acceptor placed upright to normal working position and looking at its front, the group of six wires marks the rear end of the plug.

Never pull on wires, always grasp plug securely.

Figure 7

Figure 8

Version until machine number
3108....



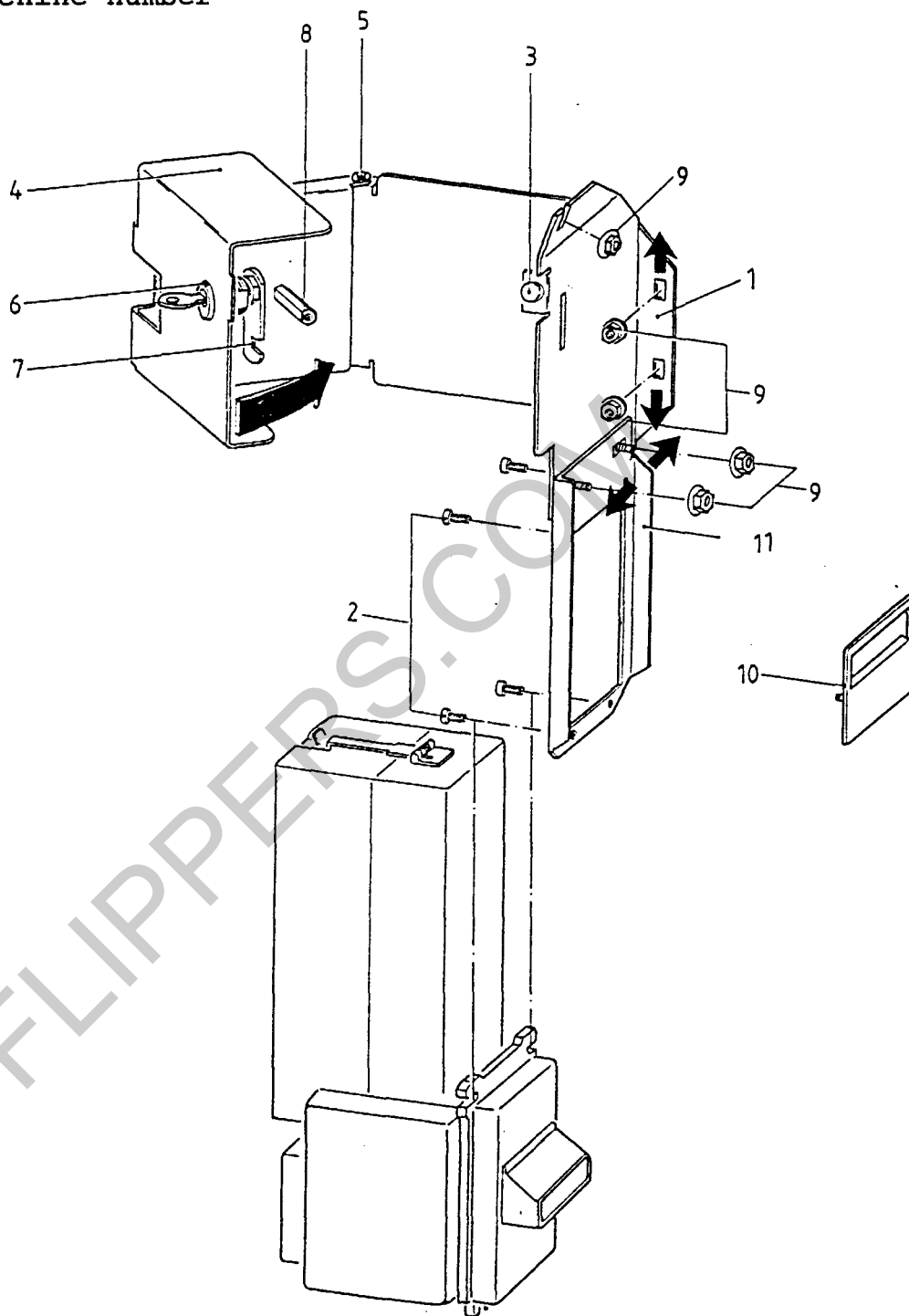
- 1 Halterung f. Dollar Bill lack.
- 2 Gewindeformschraube M4x10
- 3 Gummipuffer 12,5/7D 4 hoch
- 4 Schließwinkel lack.
- 5 Achse galv.
- 6 Zyl. Schloß matt, 2 Schlüssel
- 7 Schließhebel
- 8 Gewindebolzen galv.
- 9 Mutter M4 mit Scheibe
- 10 Einwurfblende bedruckt

- Support f. Dollar Bill painted
- Self tapping screw M4x10
- Rubber bumper 12,5/7D 4 high
- Locking bracket painted
- Shaft galv.
- Cyl. lock tarnished, 2 keys
- Catch lock
- Threaded bolt galv.
- Nut M4 with washer
- Insertion plate printed

- Order pos.
1+11, Fig.9
0012767
0013288
0035924
0035832
0014198
0033575
0030986
0012522
0035472

Figure 9

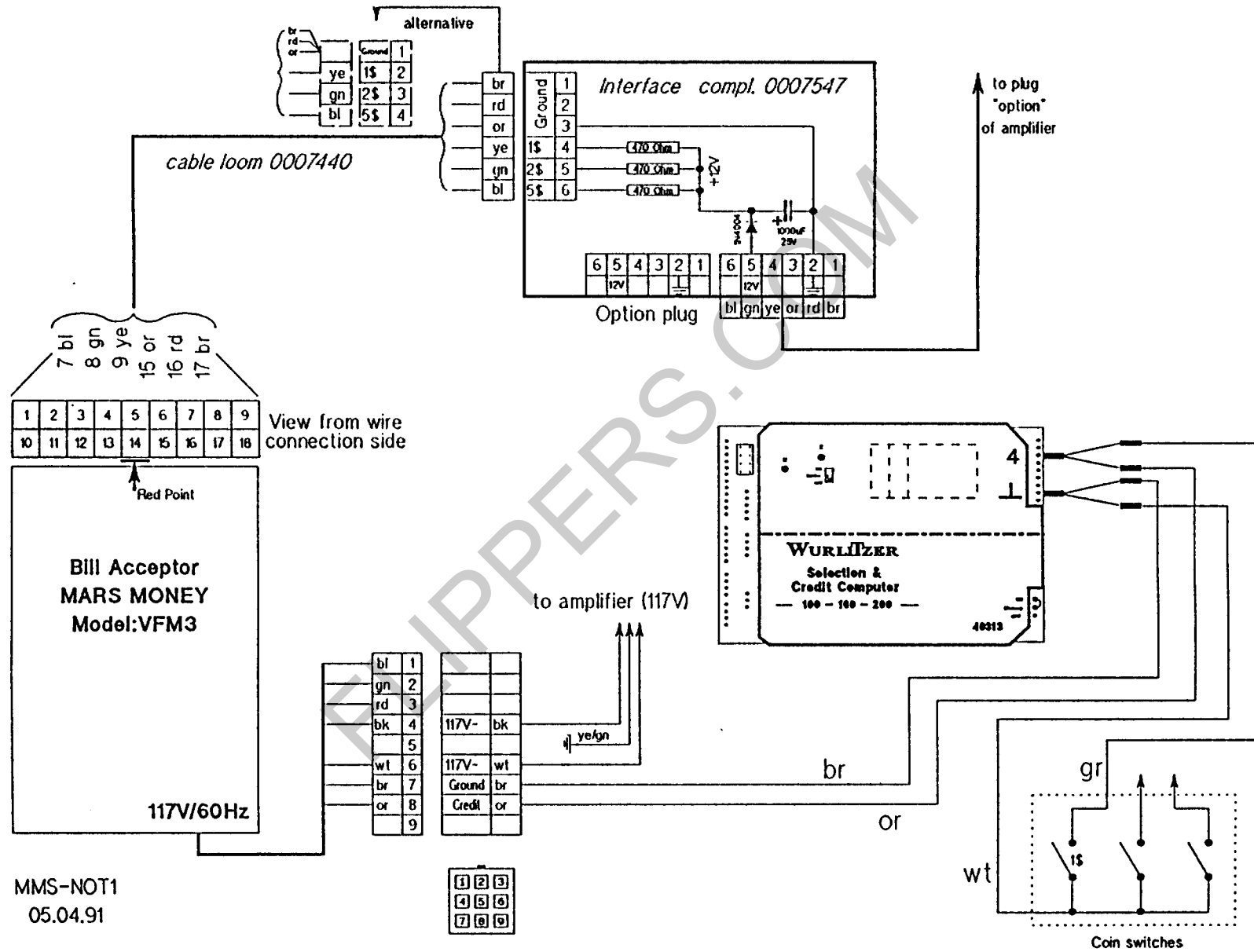
Version from machine number
3108....



Einbausatz Scheinannehmer vollst. Dollar Bill installation kit compl. 0038128

1	Halterung f. Dollar Bill lack.	Support f. Dollar Bill painted	0035366
2	Gewindeformschraube M4x10	Self tapping screw M4x10	0012767
3	Gummipuffer 12,5/7D 4 hoch	Rubber bumper 12,5/7D 4 high	0013288
4	Schließwinkel lack.	Locking bracket painted	0035924
5	Achse galv.	Shaft galv.	0035832
6	Zyl. Schloß matt, 2 Schlüssel	Cyl. lock tarnished, 2 keys	0014198
7	Schließhebel	Catch lock	0033575
8	Gewindebolzen galv.	Threaded bolt galv.	0030986
9	Mutter M4 mit Scheibe	Nut M4 with washer	0012522
10	Einwurfblende bedruckt	Insertion plate printed	0035472
11	Aufnahme für Dollar Bill	Support for Dollar Bill	0037445

Phonograph with Bill Acceptor Type VFM 3



Phonograph with Bill Acceptor Type VFM 2

