

INFORMATION

WURLITZER

DEUTSCHE WURLITZER GMBH

WERK LEVERN

4995 STEMWEDE 1 · POSTFACH

Telefon (05745) 280 · Telex (05745) 2870

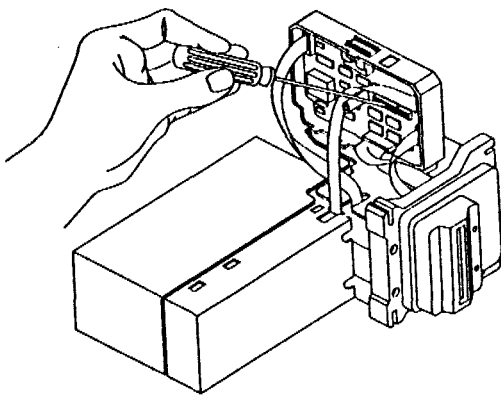
TI-MA-69

Instruction to install MMS Bill Acceptor with downstacker Type VFM 3 S and VFM 5 S in OMT-CD

The OMT-CD is prepared for the installation of the Bill Acceptors Type VFM3S and VFM5S (from machine no. 31071455).

The bill acceptor assembly is pre-mounted in the machine. For installation proceed as follows:

1a. Preparing of bill acceptor:



Disengage Control Board/Cover Assembly of note acceptor.

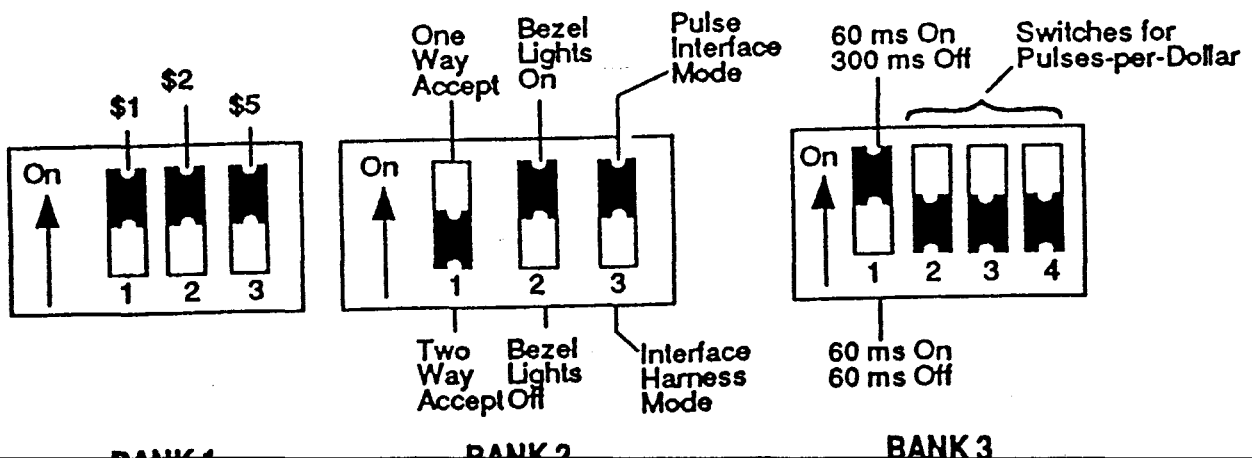
The bill acceptor option switches allow the unit to be customized to the installation. Locate the option switches by loosening the captive screw in the centre of the black cover and disengaging the Control Board/Cover Assembly.

b. Set the switches with a retracted ball point pen or small screwdriver as shown in figure 3. Do not use a graphite pencil point. Replace the black cover when switches are set.

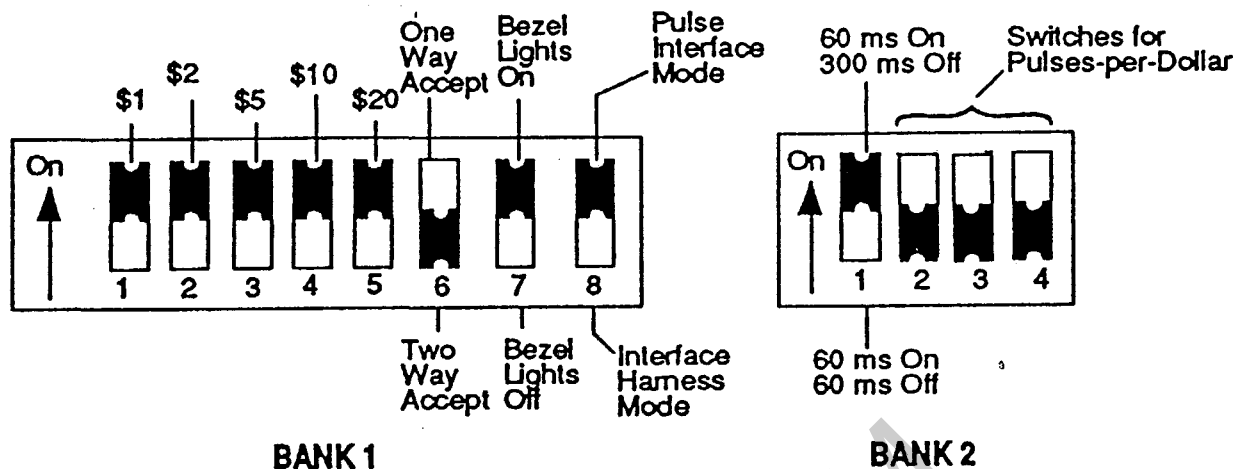
c. Setting of Bill Acceptor Option Switches
This setting allows \$1, \$2, \$5, (\$10 and \$20) acceptance and bi-directional insertion of the dollar bill.

Switch function and setting for

TYPE VFM3S



TYPE VFM5S



2. For mounting of the bill acceptor

- * disconnect machine from power supply
- * loosen at bill acceptor assembly on both sides 2 nuts with washer (figure 1, pos. 12)
- * remove bill acceptor assembly completely

3. Remove sign "Wurlitzer" by loosening the corresponding screws from inside of the door cabinet. Re-use the screws to mount the bill acceptor plastic insertion plate attached in the machine.



4. Install the bill acceptor by using screws and nuts (figure 1, pos. 7,9,10,) into the bill acceptor assembly.

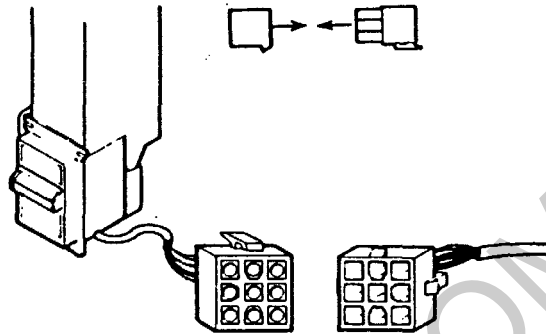
When installing a bill acceptor with 104mm (» inch) mouth width the 2 plastic corners (fig. 3) have to be removed before. According to fig. 2 this type of bill acceptor has to be mounted with screws and nuts (pos. 7,9+10).

5. Install the assembly with mounted bill acceptor back into the door brackets. Screw toughly the unit in the door and adjust that the acceptance slot is centered into the opening of the plastic slot plate.

Note: Mouth of bill acceptor should touch from behind the plate, mouth should not pass through the opening, refer to figure 4

6. Connection of bill acceptor

- a. Connect the harness with the 9pole plug to the bill acceptor.



Note: The green 18 pin connector, wrapped in the door, is only for the use of the bill acceptor type VFM 3.

VI/91 gr-ze

Pos.	Ersatzteil	Part	No.
1	Tragblech, lack.	Plate, painted	0036800
2	Schließblech	Locking plate	0036842
3	Bolzen A4x6,5x4,5 ESN	Bolt A4x6,5x4,5 ESN	0013415
4	Sicherungsscheibe 3,2	Retaining ring 3,2	0012543
5	Schließhebel	Locking rod	0013290
6	Zyl. Schloß	Cyl. lock	0013729
7	Gewindeformschraube M4x25	Self cutting screw M4x25	0013079
8	Adapter-Winkel	Adapter bracket	0034292
9	Linsenschraube M4x20	Screw M4x20	0020784
10	U-Scheibe 4,3	Washer	0012401
11	Gewindeformschraube M4x12	Self cutting screw M4x12	0015340
12	Kombimutter M4	Combi nut M4	0012522

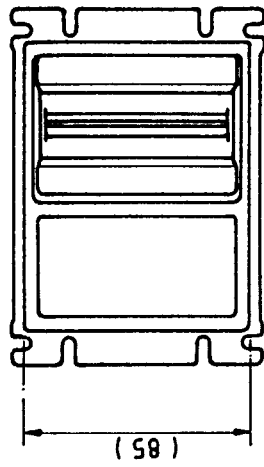
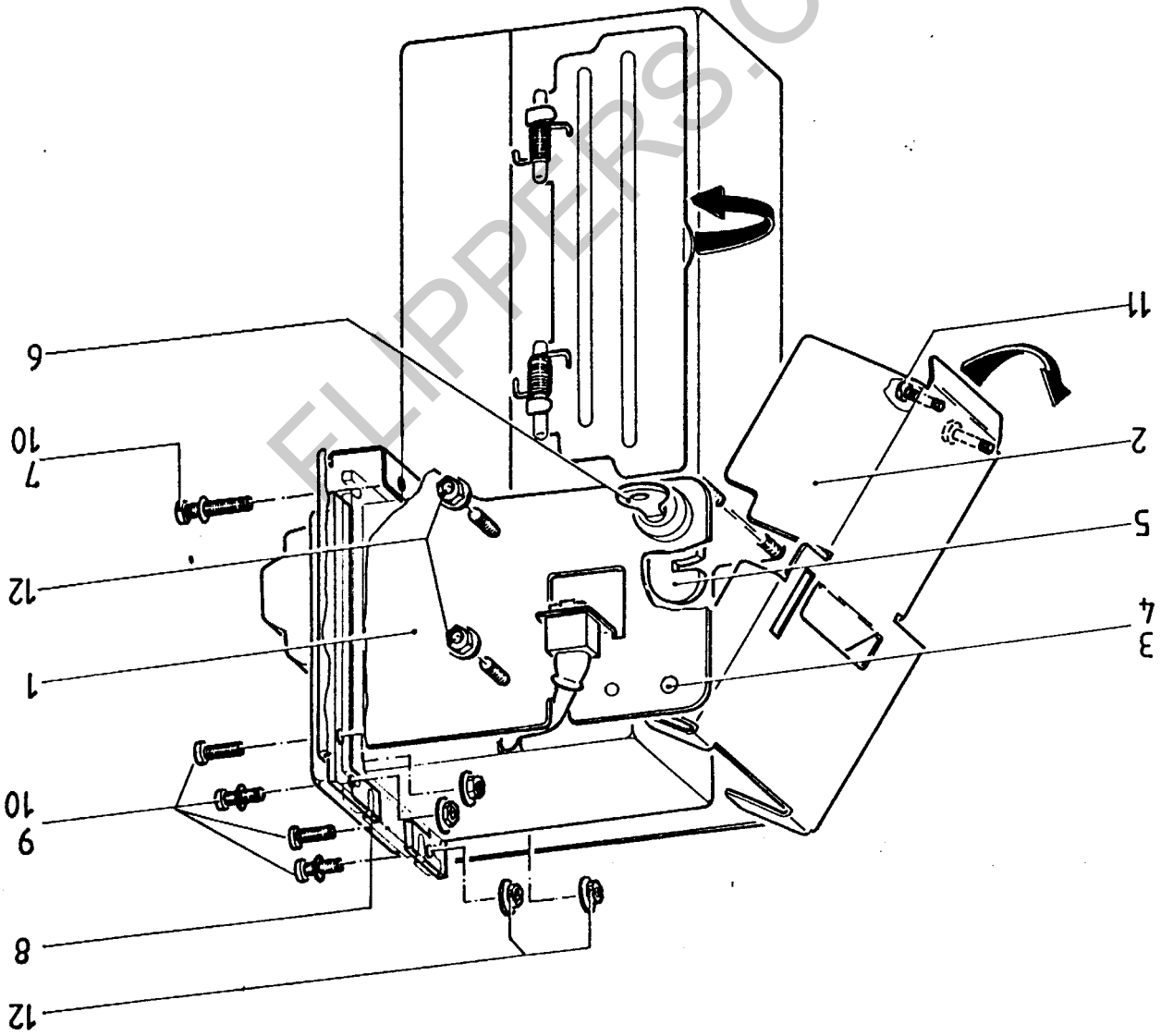


Figure 1



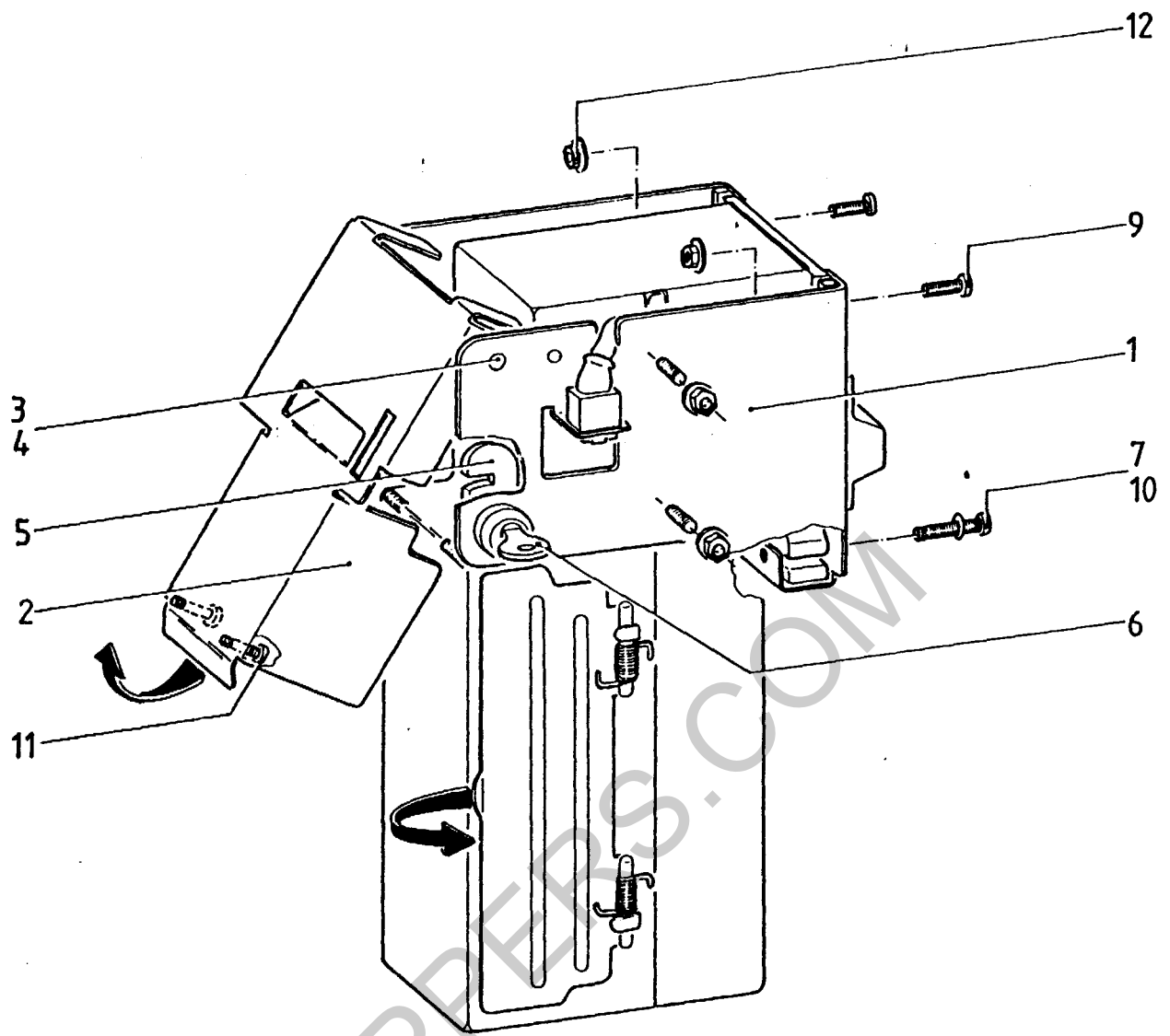
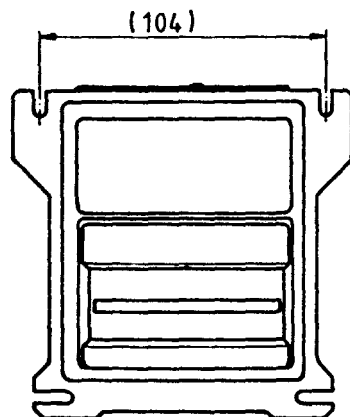


Figure 2



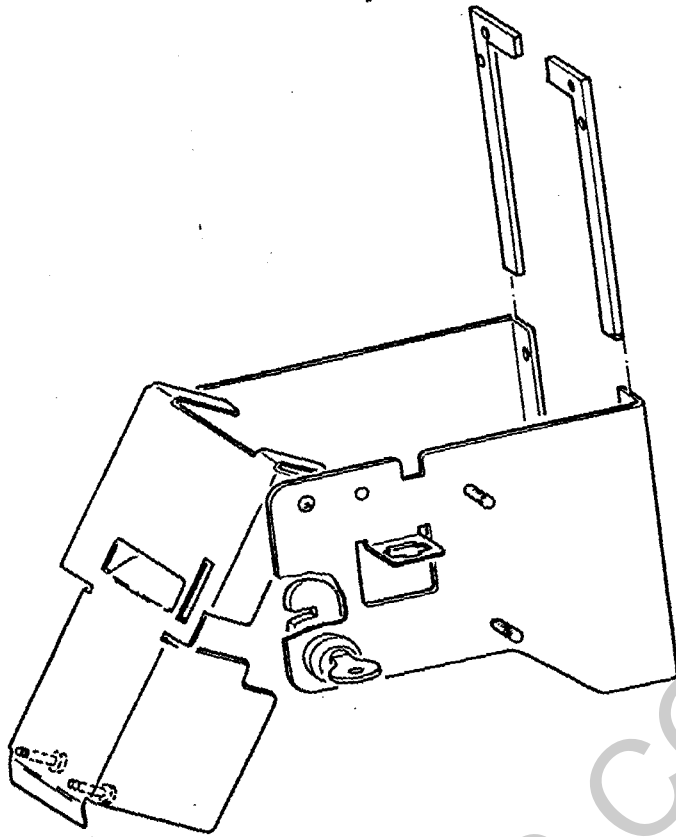


Figure 3

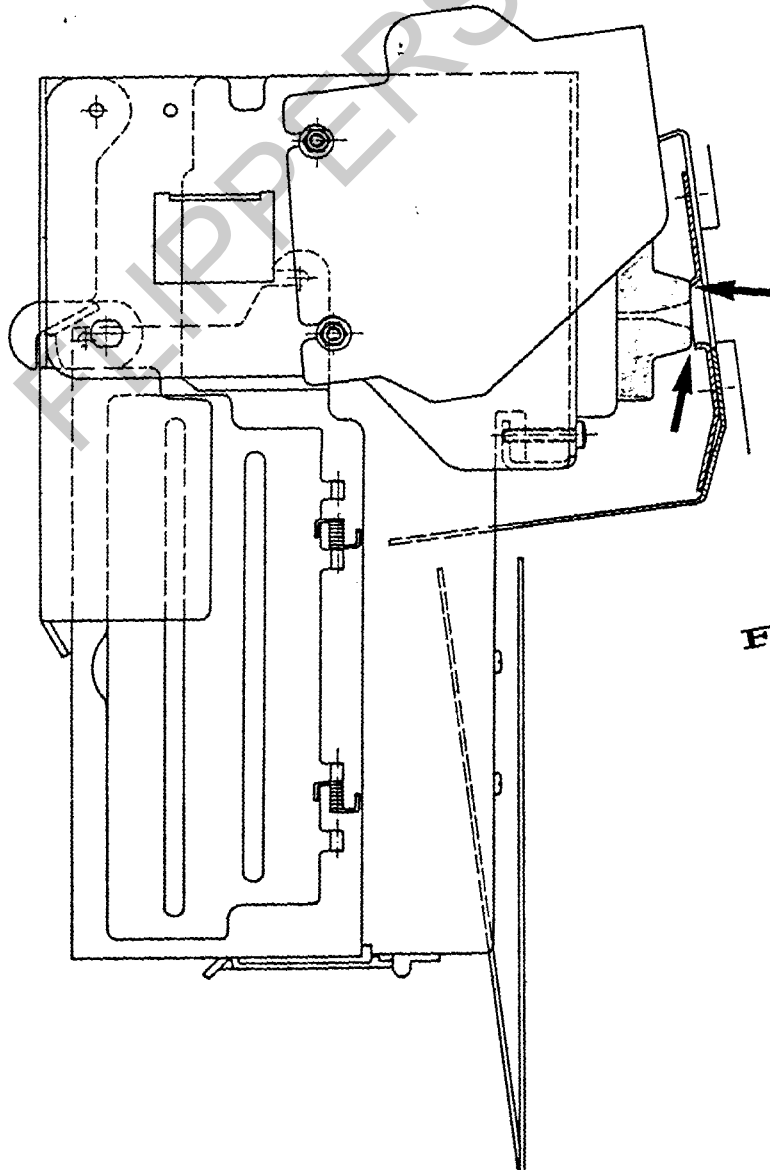


Figure 4

Phonograph with Bill Acceptor and Downstacker Type VFM 3S / VFM 5S

