

JUKEBOX SERVICE MANUAL



MODEL 1050

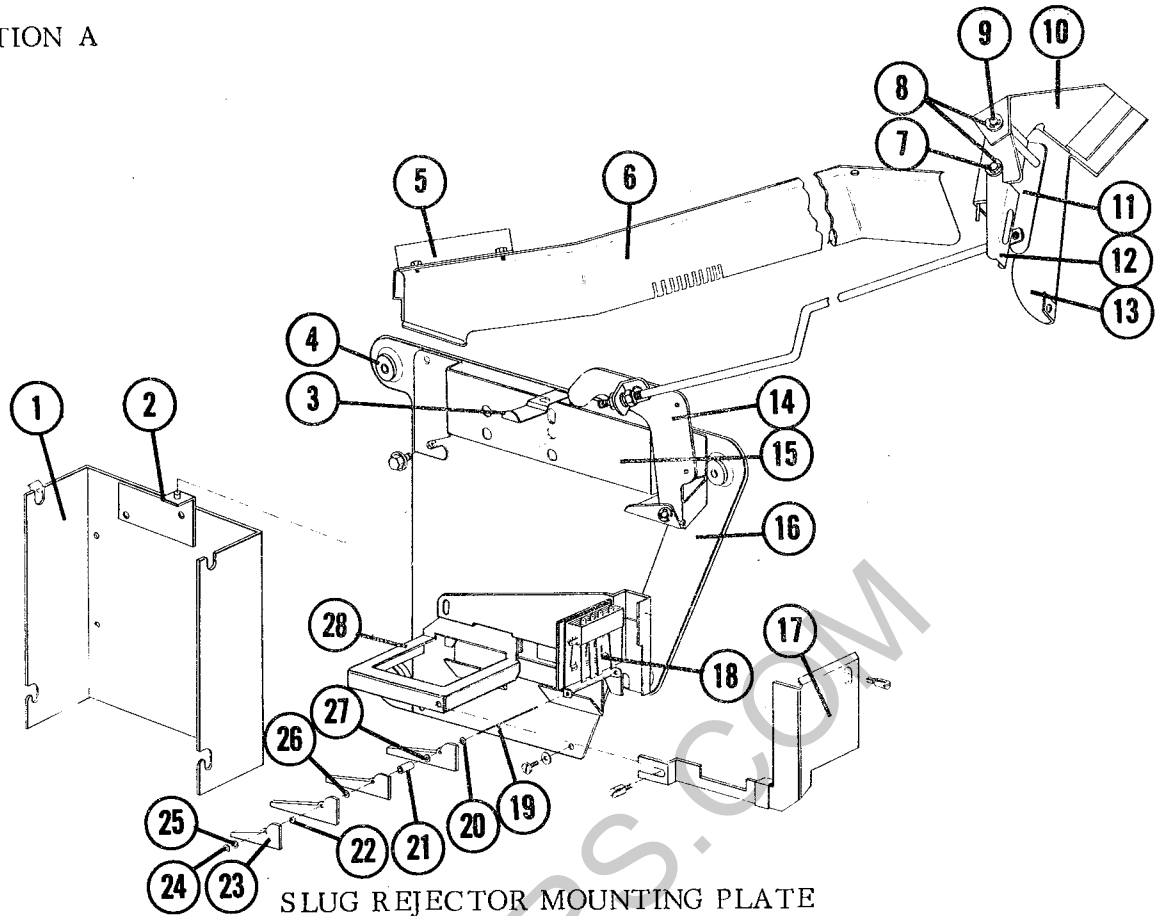
NOSTALGIA



CORPORACION SONATA, S.A.

Carretera México Pachuca, Km 52, Tizayuca, Hidalgo, México • Teléfono (771) 62139/40/41
Executive offices P.O. Box 22036 Mexico 22 City, Mexico • Phone 573-01-11 • Telex 017 74282

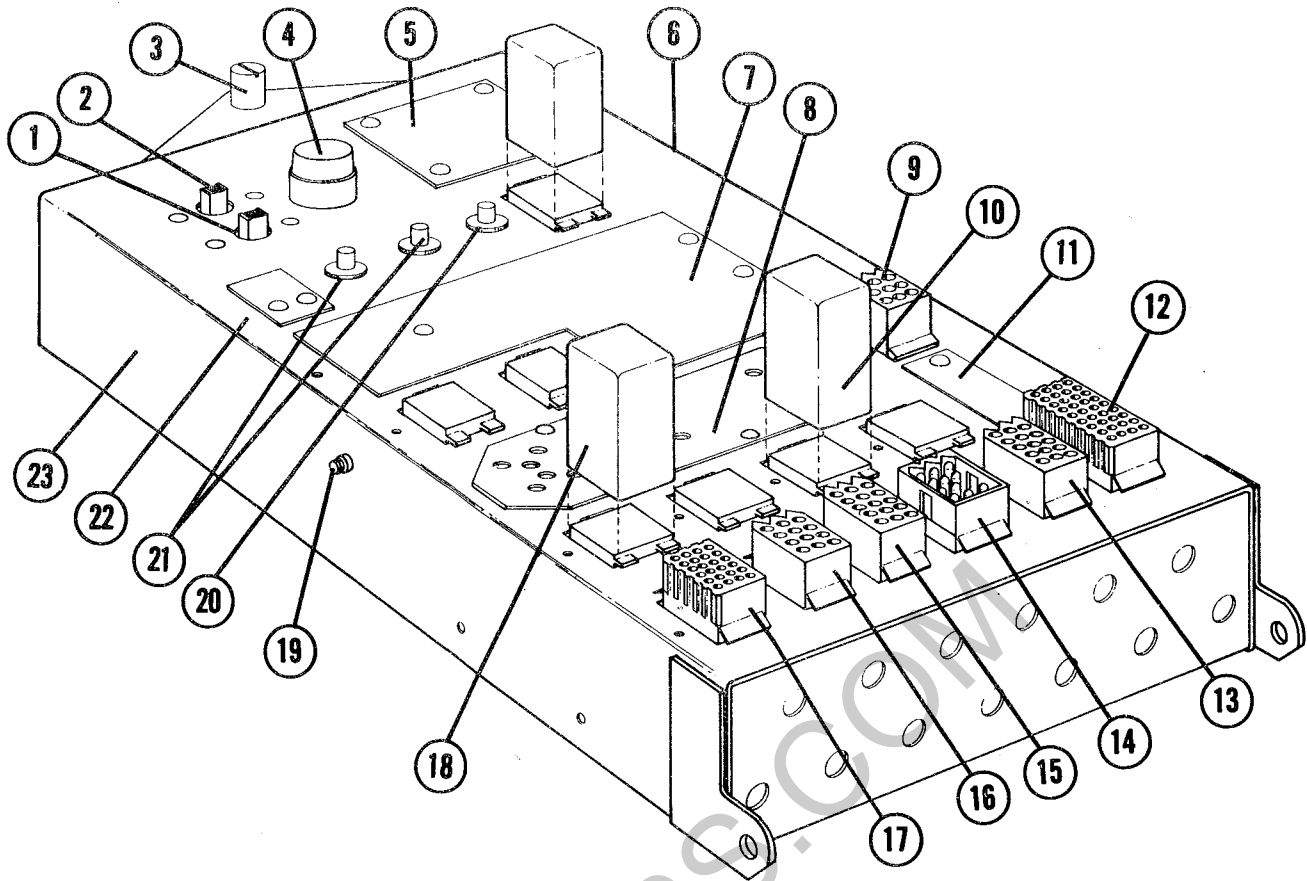
SECTION A



SLUG REJECTOR MOUNTING PLATE

1. Cover and Clip Assembly	131539	15. Mounting Plate and Mounting Bracket Assembly	138262
Cable Clamp (2)	123897	16. Mounting Plate, Slug Rejector	138189
2. Locating Pin and Catch Assembly	131034	17. Angle and Guard Assembly	141479
3. Retaining Spring, Slug Rejector	130849	Thumbscrew (2)	35745
Washer	657	18. Coin Switch	131186
4. Grommet (4)	49884	Plug, 9	131174
Spacer (4)	122944	Pin Terminal (5)	132000
5. Mounting Bracket, Coin Entry Chute	142009	Lockwasher (2)	73604-5
6. Coin Entry Chute	141959	Screw, 6 x 5 HEX Z (2)	76626-5
Light Bracket and Coin Chute Mounting (not shown)	141768	Speednut (2)	74750-5
7. Pivot Pin	140789	19. Shaft	119107-C
8. Retaining Ring (4)	73724-25	20. Copper Washer	119107-F
9. Pivot Shaft	142007	21. Spacer	119107-D
10. Support Bracket	142001	22. Copper Washer	119107-F
11. Pivot Bracket Assembly	142002	23. Short Paddle	119107-B
Nut, 1/4-20	74262-13	24. Iron Washer	119107-E
Keys Nut, 1/4-20	73601-10	25. Iron Washer	119107-E
Lockwasher	73605-9	26. Copper Washer	119107-F
12. Actuator	140908	27. Long Paddle	119107-A
Spring, Actuator	140715	28. Mounting Bracket and Guard Assembly	138233
13. Lower Support Bracket, R.H.	141720		
14. Actuator and Bracket Assembly	141999		
Spring	122413		

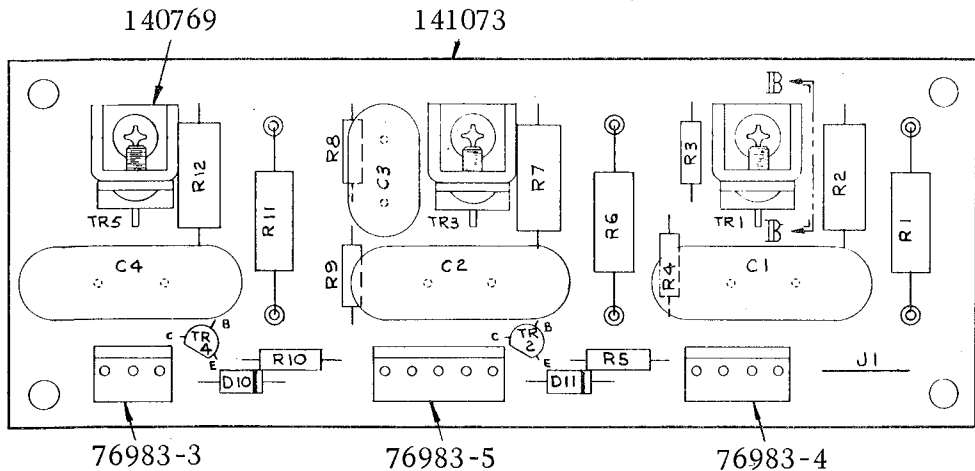
FLIPPERS.COM



CONTROL BOX ASSEMBLY ILLUSTRATED PARTS LIST

1. Switch, Slide	138894	11. Cover Receptacle	138739
2. Switch, Slide	116723	12. Receptacle, 36 Min.	505965
3. Thumbscrew	138366	Contact Terminal (31)	138558
Retainer	141288	13. Receptacle, 15R	131892
4. Fuse Post	126853	Contact Terminal (2)	132001
Lockwasher	73607-13	14. Plug, 12B	136791
Fuse, 8A, Slo Blo	71591-34	Pin Terminal (12)	132000
5. Cover, Printed Board,		15. Receptacle, 15W	131888
Control Box	138736	Contact Terminal (13)	132001
6. Receptacle, 12W (not shown)	131175	16. Receptacle, 12W	131175
Receptacle, 15W (not shown)	131888	Contact Terminal (7)	132001
Contact Terminal (26)	132001	17. Receptacle, 24 Min.	657711
Jumper Plug Assembly, Stepper	138511	Contact Terminal (24)	138558
Plug, 15W	131887	18. Relay, Yellow (RY-1 and RY-11)	137088
Pin Terminal (9)	132000	Holddown Spring, Relay	134840
7. Cover, Relay	138737	Receptacle, Relay, Yellow	138730
8. Cover Plate, Vent	140942	Terminal, Relay Socket	136335
9. Receptacle, 9R	131931	19. Pin, Fall Support	137083
Contact Terminal (7)	132001	Retaining Ring	73724-18
10. Relay, White (RY-2, RY-3,		20. Circuit Breaker	140583
RY-6, RY-7, and RY-10	122133	21. Circuit Breaker (2)	140507
Holddown Spring, Relay	134840	22. Cover, Relay	138738
Receptacle, Relay, White	136336	23. Remaining Control Box	
Terminal, Relay Socket	136335	Components (Refer to pages 4 and 6)	

SECTION B

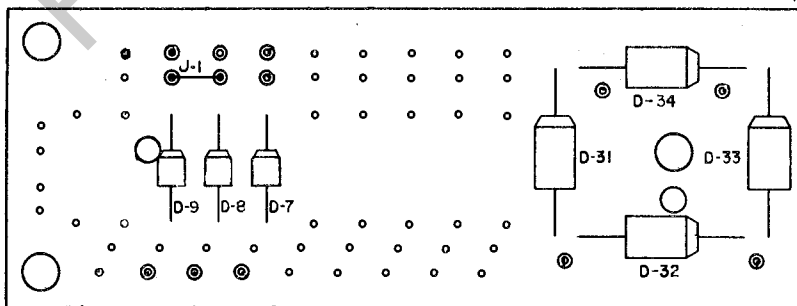


PRINTED BOARD ASSEMBLY - TRIAC CONTROL - PART NO. 140764

RESISTORS		
ITEM NO.	PART NO.	VALUE
R1, 6 and 11	74544-32	680 OHM 2W 10%
R2, 7 and 12	72312-32	100 OHM 1 W 10%
R3 and 8	77293-255	1 K 1/4W 5%
R4, 5, 9 and 10	77311-255	5.6 K 1/4W 5%
CAPACITORS		
C1, 2 and 4	76195-14S	.1 MFD 400V
C3	76203-17S	.22 MFD 75V
DIODES		
ITEM NO.	PART NO.	TYPE
D10 and 11	76700-23	Rectifier 1N4004
Opt.	76700-33	Rectifier 10D4
JUMPER		
ITEM NO.	PART NO.	NAME
J1	112721	Wire Formed
TRANSISTORS		
ITEM NO.	PART NO.	TYPE
TR2 and 4	140624	NPN-Silicon-Planar

PARTS LIST	
PART NO.	NAME
141073	Printed Board and Eyelet Assembly
140769	Triac and Heatsink Assembly
76983-3	Wafer Connector
76983-4	Wafer Connector
76983-5	Wafer Connector
76719-25	Screw, 4-40 x 3/8 TRUSS
133141	Washer
73607-3	Lockwasher
136853	Nut, 4-40

CONTROL BOX COMPONENTS NOT ILLUSTRATED	
PART NO.	NAME
76980-15	Spacer (4)
141494	Insulator
76984-3	Harness Connector
76984-4	Harness Connector
76984-5	Harness Connector
139139	Terminal (for 76984 Connectors)

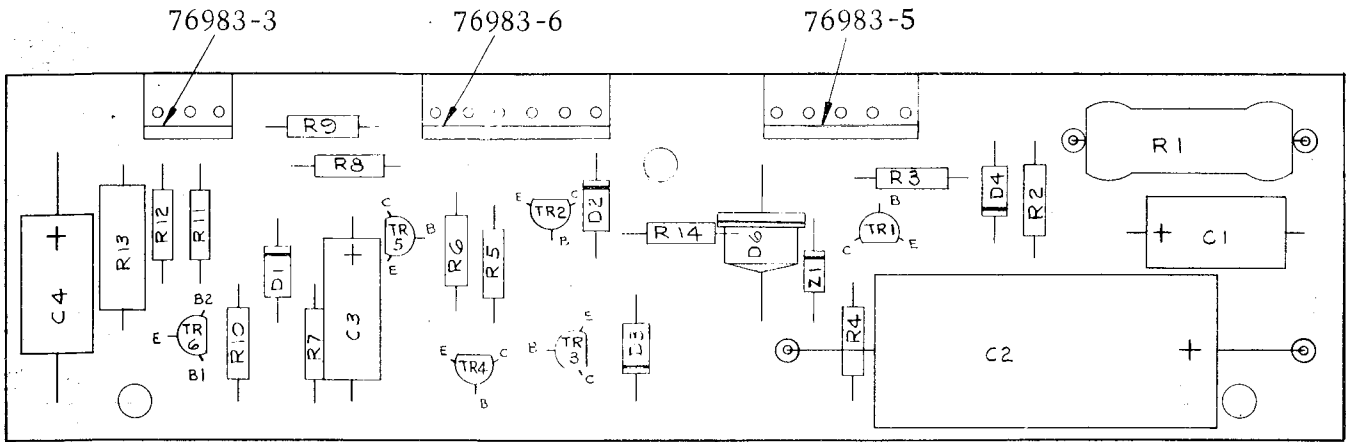


PRINTED BOARD ASSEMBLY - PART NO. 141108

DIODES		
ITEM NO.	PART NO.	TYPE
D7 thru 9	76700-23	Rectifier 1N4004
Opt.	76700-33	Rectifier 10 D4
D31 thru 34	71588-21	Rectifier-Silicon DO-1
Opt.	71588-22	Rectifier-Silicon

PARTS LIST	
PART NO.	NAME
140839	Printed Board and Eyelet Assembly
76980-12	Spacer (3) (not illustrated)
138872	Insulator (not illustrated)





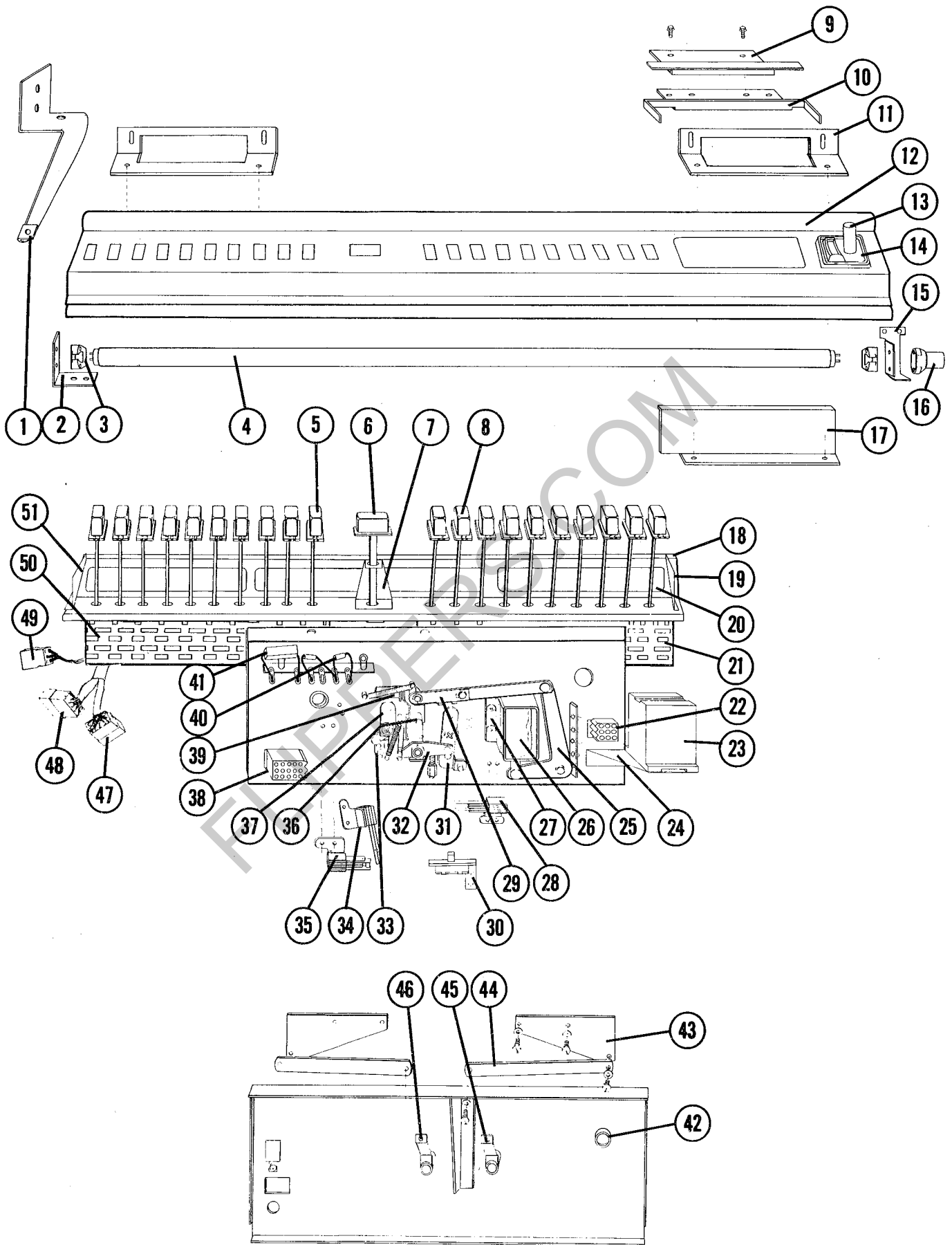
140758

PRINTED BOARD ASSEMBLY - TIMING PART NO. 140756

RESISTORS		
ITEM NO.	PART NO.	VALUE
R1	76972	1.5 OHM 8W 5%
R2	77295-255	1.2 K 1/4W 5%
R3 and 8	77293-255	1 K 1/4W 5%
R4	77317-255	10 K 1/4W 5%
R5, 6 and 7	77311-255	5.6 K 1/4W 5%
R9	77281-255	330 OHM 1/4W 5%
R10 and 11	77269-255	100 OHM 1/4W 5%
R12	77345-255	150 K 1/4W 5%
R13	72332-32	680 OHM 1W 10%
R14	77341-255	100 K 1/4W 5%
CAPACITORS		
C1	77510-2	100 MFD 16V
C2	77513-6	470 MFD 50V
C3	77507-3	22 MFD 16V
C4	77509-3	47 MFD 16V
DIODES		
ITEM NO.	PART NO.	TYPE
D1 thru D4	76700-23	Rectifier 1N4004
Opt.	76700-33	Rectifier 10 D4
D6	71588-21	Rectifier DO-1
Opt.	71588-22	Rectifier
Z1	128449	Zener Diode 1N4758
TRANSISTORS		
TR1, 2 and 5	137480	NPN-Silicon-Annular
TR3	140624	NPN-Silicon-Planar
TR4	140623	PNP-Silicon-Planar
TR6	132650	PN-Silicon-Unijunction

PARTS LIST	
PART NO.	NAME
140758	Printed Circuit Board
76983-3	Wafer Connector
76983-5	Wafer Connector
76983-6	Wafer Connector

CONTROL BOX COMPONENTS NOT ILLUSTRATED			
RESISTORS			
ITEM NO.	PART NO.	VALUE	
NONE	72324-32	330 OHM	1W 10%
NONE(-4,-7)	74818-2	50 OHM	5W 10%
NONE	72288-32	10 OHM	1W 10%
NONE(-4,-7)	74528-32	150 OHM	2W 10%
CAPACITORS			
NONE	71459-14	.47 MFD	400V
NONE	77505-8	4.7 MFD	80V
NONE	77510-6	100 MFD	50V
NONE	77510-4	100 MFD	25V
DIODES			
ITEM NO.	PART NO.	TYPE	
D8, 9 and 20	76700-23	Rectifier	1N4004
Opt.	76700-33	Rectifier	10D4
PART NO.	NAME		
76984-3	Harness Connector		
76984-5	Harness Connector		
76984-6	Harness Connector		
139139	Terminal (for 76984 Connectors)		
76980-12	Spacer (3)		
138747	Insulator		

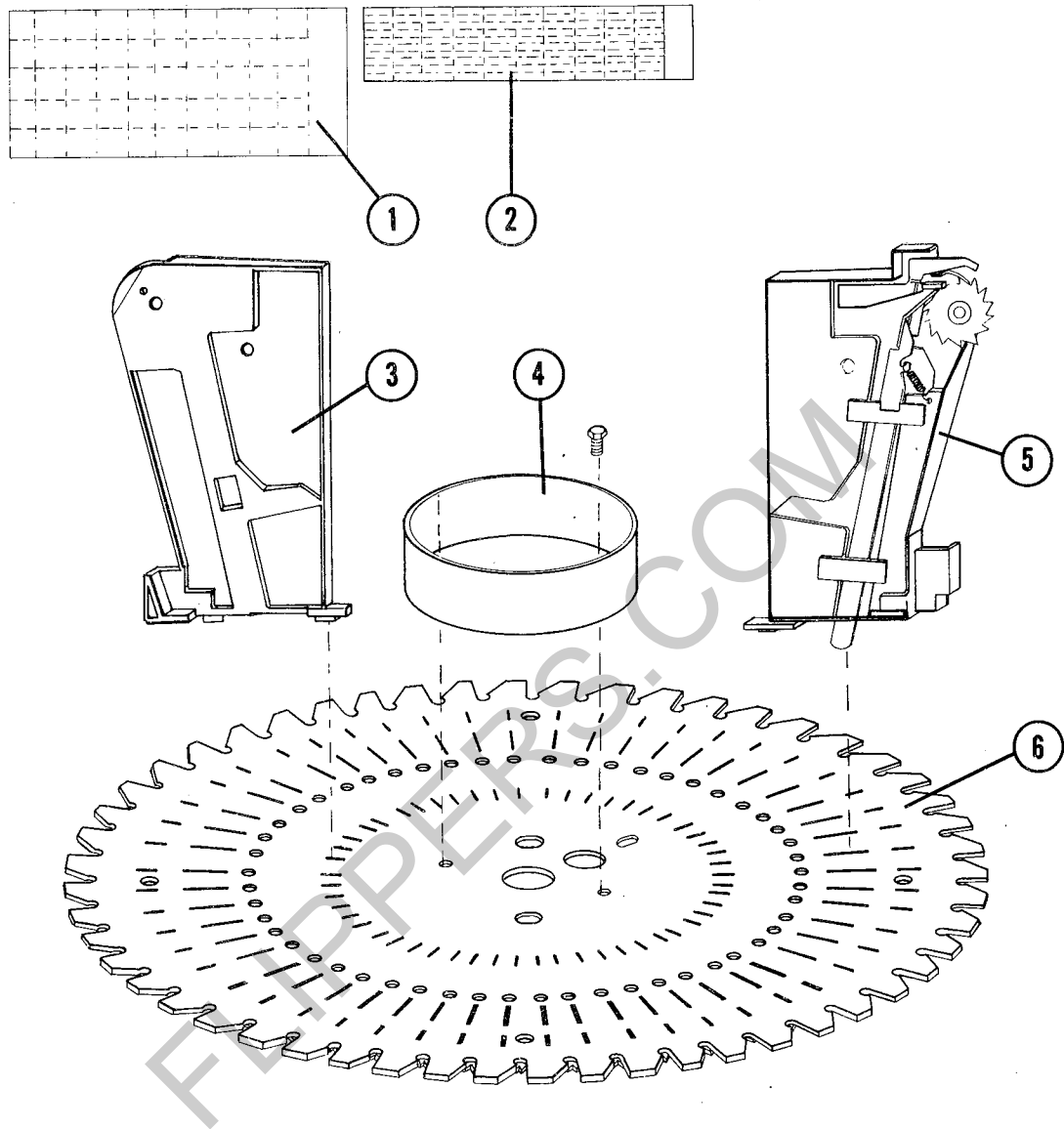


SELECTOR SWITCH ASSEMBLY - ILLUSTRATED PARTS LIST

1.* Lower Support Bracket, Selector Panel, L.H.	141721	26. Latch Solenoid Plunger, Solenoid Pin, Solenoid Plunger Washer	112104 112104-1 65947 487
Lower Support Bracket, Selector Panel, R.H.	141720	Internal Hair Pin	74402-1
2.* Light Bracket, Upper L.H.	141769	27. Mounting Bracket, Latch Solenoid Washer (2)	117747 54024
3.* Socket, Lamp (2)	122743	28. Switch Assembly Retainer Plate	60518 63014
4.* Fluorescent Lamp, 24", 18W	141925	Mounting Plate	121005
5. Selector Button and Clip Assembly, A	141853	29. Switch Actuator	140070
Selector Button and Clip Assembly, B	141854	30. Switch and Bracket Assembly	140170
Selector Button and Clip Assembly, C	141855	31. Latch Lever, Numbers Washer	64913 73608-45
Selector Button and Clip Assembly, D	141856	32. Trip Lever, Numbers Stop Nut 10-32	117694 74988-14
Selector Button and Clip Assembly, E	141857	Washer (2)	67610
Selector Button and Clip Assembly, F	141858	Washer	56733
Selector Button and Clip Assembly, G	141859	Spring, Trip Lever, Numbers	57129
Selector Button and Clip Assembly, H	141860	33. Trip Lever, Letters Spacer	117691 56705
Selector Button and Clip Assembly, J	141861	Spring, Trip Lever, Letters	120067
Selector Button and Clip Assembly, K	141862	34. Switch and Bracket Assembly, Series, Letters	66007
Cap Only	140019	Switch Assembly	64982
Insert	131901	Retainer Plate	63014
Clip Only	131909	Mounting Bracket	64991
6. Button and Clip Assembly, Reset Cap Only	141873 140019	35. Switch Assembly Retainer Plate	60518 63014
Insert	131901	Mounting Bracket	121005
Clip Only	131909	36. Release Lever and Pin Assembly Washer	140169 56773
7. Stop Bracket	139831	Spring, Solenoid Return	133543
Switch, Reset	139837	37. Latch Lever and Spacer Assembly Letters	117695
8. Selector Button and Clip Assembly, 1	141863	Washer	73608-45
Selector Button and Clip Assembly, 2	141864	38. Receptacle, 15W Contact Terminal	131888 132001
Selector Button and Clip Assembly, 3	141865	39. Stop Bracket Washer (2)	56628 27787
Selector Button and Clip Assembly, 4	141866	Rubber Crommet	117689
Selector Button and Clip Assembly, 5	141867	40. Diode (2)	76700-23
Selector Button and Clip Assembly, 6	141868	41. Resistor, 85 Ohm, 5W, 10%	74819-2
Selector Button and Clip Assembly, 7	141869	42. Snap Bushing (2)	74849-10
Selector Button and Clip Assembly, 8	141870	43. Connector Link Plate (2) Spacer, Link, Selector Switch (4)	126521 126299
Selector Button and Clip Assembly, 9	141871	Spacer, Shoulder Bushing, Link (2)	124040
Selector Button and Clip Assembly, 0	141872	Washer (4)	27787
9.* Clamp, Upper	141879	44. Connector Link (2) Shoulder Bushing, Link (4)	126551 124018
10.* Retaining Bracket, Coin Denomination	141881	Washer (2)	42120
11.* Support Bracket, Selector Switch (2)	142300	45. Shaft, Link and Lever Assembly	126507
12. Extrusion, Selector Panel	141704	46. Shaft, Link and Lever Assembly	126510
13. Reject Button and Tip Assembly Washer	141851 65778	47. Plug, 9W Pin Terminal (3)	131174 132000
Rubber Washer	132560	48. Plug, 15W Pin Terminal (15)	131887 132000
Retaining Ring	73724-31	49. Plug, Molex, 36 Min. Pin Terminal (27)	505966 138557
14. Coin Entry Casting	141634	50. Selector Switch, Letters	139841
15.* Light Bracket and Coin Chute Mounting	141768	51. Light Shield, L.H.	141983
16.* Starter	57365		
Socket, Starter	53674		
17.* Clamp, Lower, Coin Denomination	141880		
18. Mounting Plate	141734		
19. Light Shield, R.H.	141982		
20. Light Diffuser	141757		
21. Selector Switch, Numbers	139844		
22. Receptacle, 9W	131173		
23. Electric Counter	134192		
24. Mounting Bracket, Counter	141848		
25. Crank and Link Assembly	111720		
Retaining Ring	73724-15		
Retaining Ring	73724-18		

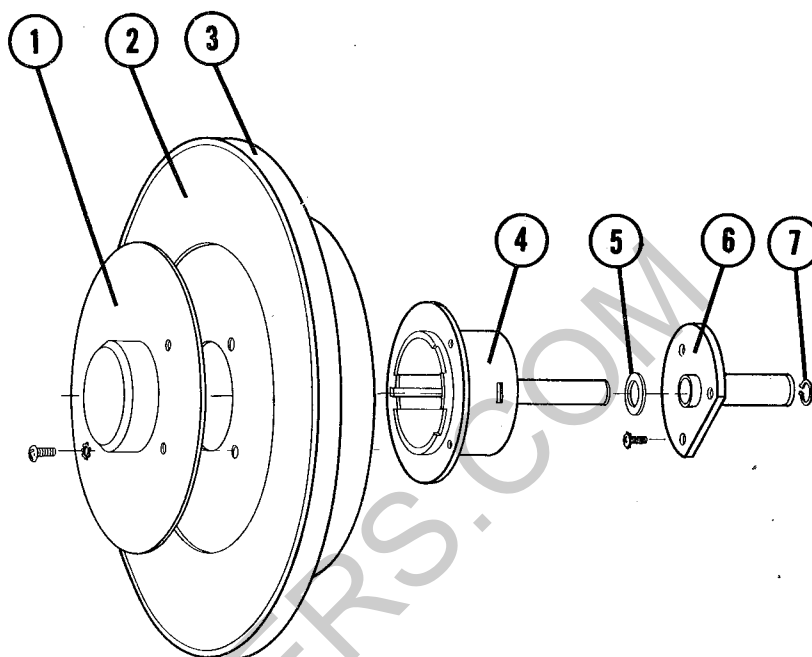
* Not part of Selector Switch Assembly and are shown for the purpose of illustration only.





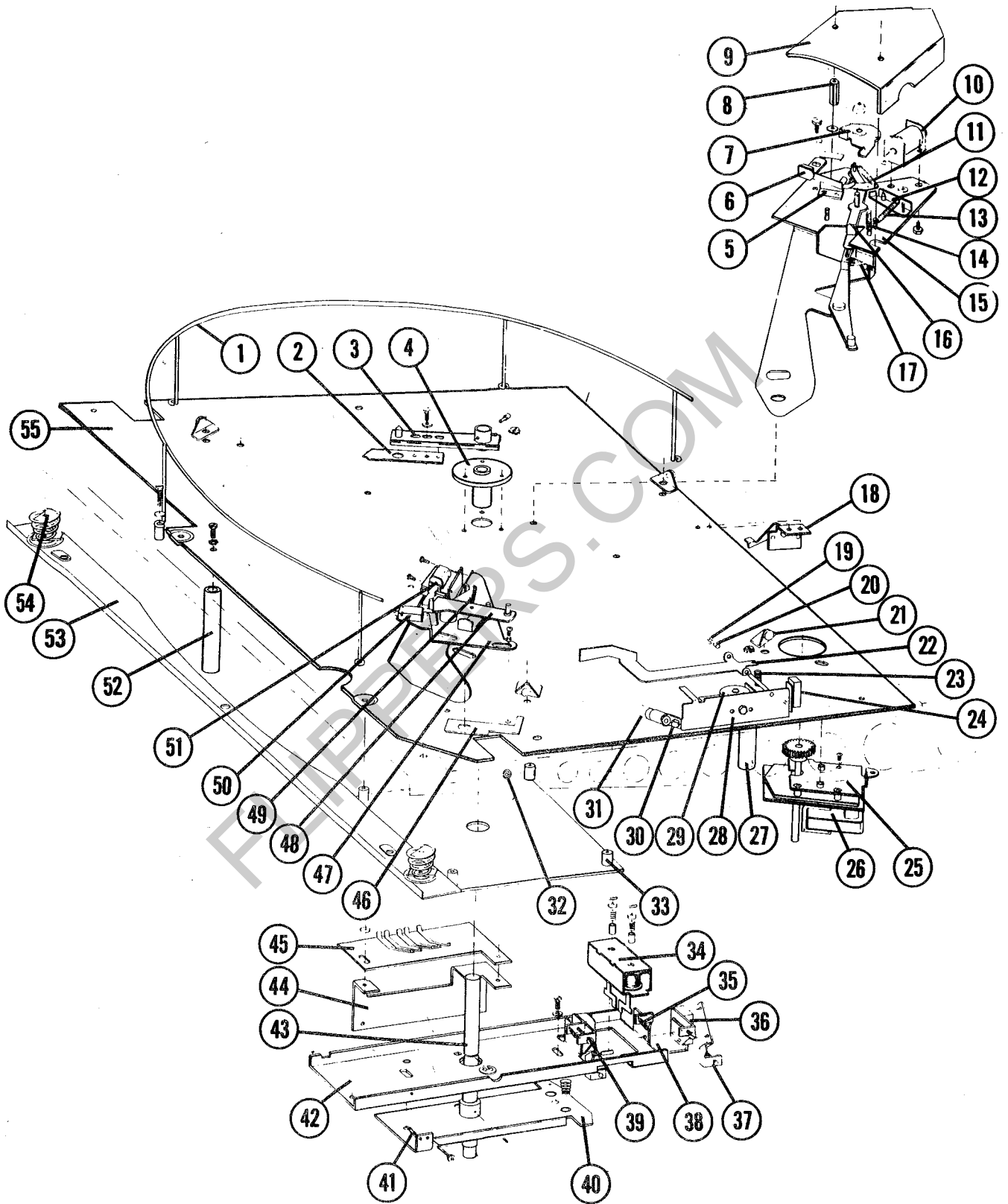
RECORD MAGAZINE ASSEMBLY

1. Label, Record Playing	141591
2. Label, Magazine Loading	134714
3. Record Separator and Pin Assembly (2)	141588
4. Record Stop	141793
5. Record Separator Assembly (50)	141590
6. Plate and Gear Assembly	141568



TURNTABLE ASSEMBLY ILLUSTRATED PARTS LIST

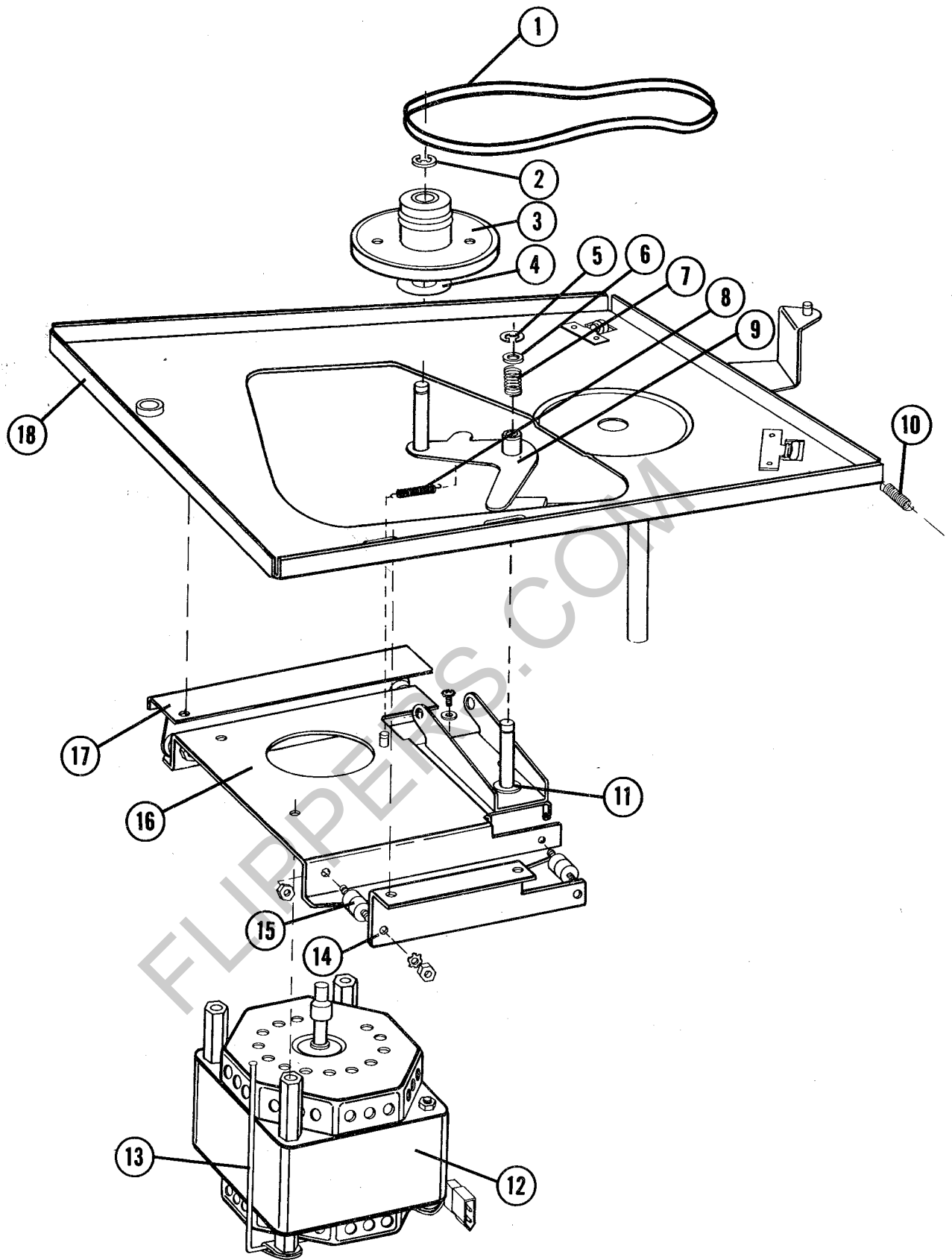
1.	Record Locator Assembly	141618
	Screw, 6-32 x 3/8 truss (3)	76719-68
	Lockwasher (3)	73604-5
2.	Pad	128042
3.	Turntable	128038
4.	Pilot Guide and Shaft Assembly, Turntable	136022
5.	Washer	128015
6.	Support Casting and Bushing Assembly, Turntable	128023
7.	Retaining Ring	73727-43



RECORD CHANGER ILLUSTRATED PARTS LIST, L.H.

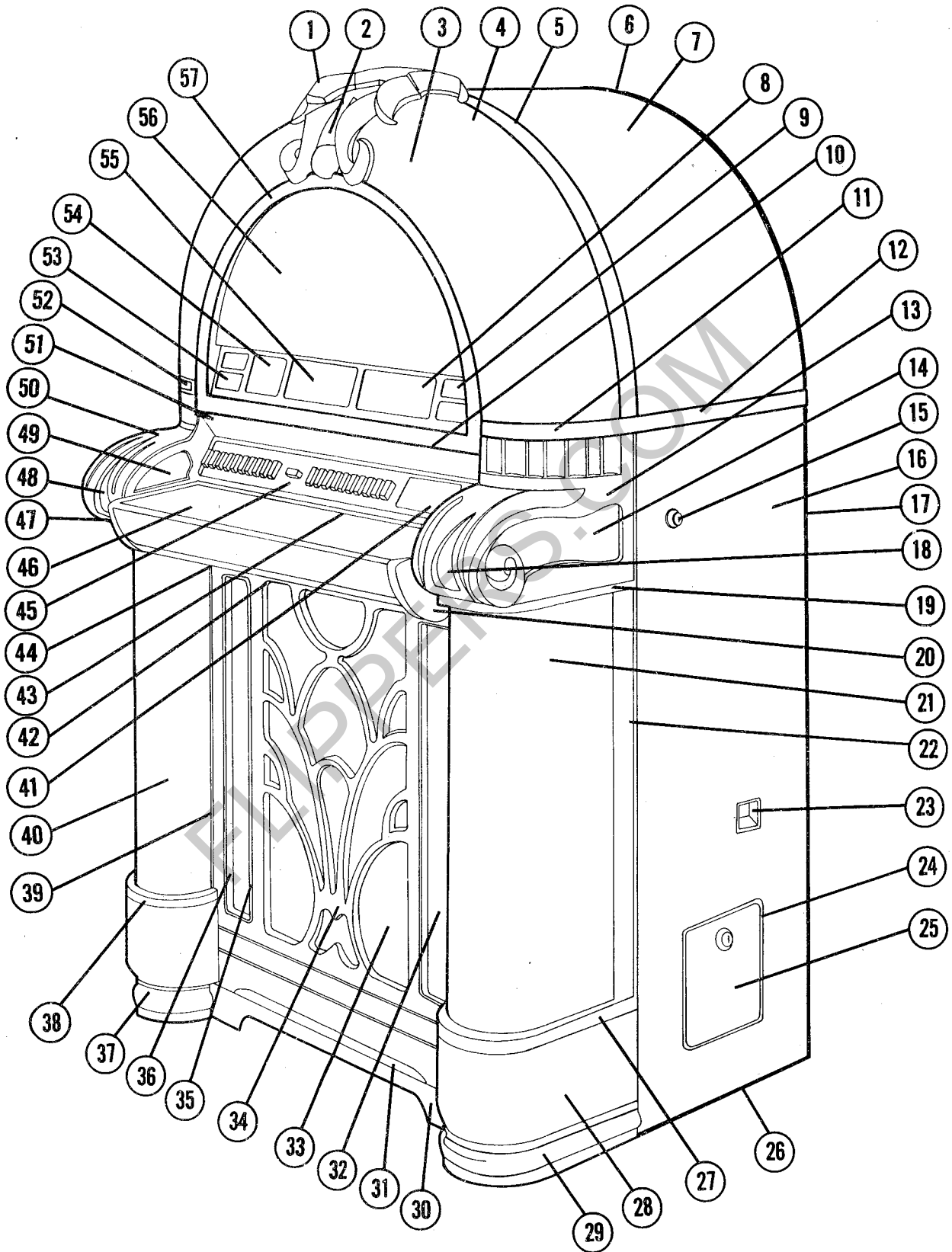
1. Record Support	141635	35. Spring, Readout Switch (2)	133426
2. Cam, Override	141605	36. Switch and Actuator Lever Assembly, Side 2	135803
3. Drive Arm and Contact Blade Assembly (Part of Drive Arm and Support Arm Assembly, 141599)	141600	37. Pretravel Bracket and Stop Nut, Assembly (2)	135499
Roll Pin	73782-51	38. Bracket Assembly, Readout (2)	133475
4. Housing and Clutch Assembly	128643	39. Switch and Actuator Lever Assembly, Side 1	135802
Roller Clutch	128641	40. Support Arm and Stop Nut Assembly (Part of Drive Arm and Support Arm Assembly, 141599)	137315
Housing and Bushing Assembly	128384	Roll Pin	73782-51
Bushing	128383	Spring (2)	137330
5. Guide, Bracket	127367	41. Spring	133418
Spacer (2)	135185	42. Arm, Readout	133535
6. Switch and Bracket Assembly	135959	43. Shaft, Drive Arm (Part of Drive Arm and Support Arm Assembly, 141599)	135929
Switch Assembly	138837	44. Bracket, Contact Plate	136039
Retainer Plate	63014	45. Contact Plate and Blade Assembly	136472
Mounting Bracket	136924	46. Positioning Plate, Magazine Lock	135212
7. Ratchet Wheel and Hub Assembly	128363	47. Mounting Bracket and Pin Assembly	142883
8. Spacer Stud (2)	141632	48. Locking Arm and Link Assembly	142885
9. Cover, Override	136458	Spacer	129818
10. Solenoid	133482	Washer	54024
Gripring	76922-12	Stop Nut, 8-32	74988-12
11. Spring, Lever and Link	136154	49. Spring	143588
12. Latch and Pin Assembly	135969	50. Micro Switch	128344
13. Spring, Armature	136236	Tapping Plate	128283
14. Spring, Ratchet Wheel	128647	51. Solenoid	142880
15. Mounting Plate and Stud Assembly	141585	Shoulder Screw	129819
Spacer, Override	141631	Spacer	129818
16. Lever Assembly, Override	141627	Stop Nut, 4-40	74988-7
17. Spring	135543	52. Spacer, Selection Accumulator (2)	142109
18. Counter, Lever and Hub Assembly	142120	53. Channel and Spring Assembly (2)	141615
Bracket and Pin Assembly	138024	54. Retainer, Chassis Spring (4)	134735
19. Retaining Ring	73724-12	55. Mounting Plate and Bracket Assembly Cover, Record Changer (not shown)	141580
20. Speed Clip	142759	Support Bracket, L.H.	141773
21. Mounting Bracket and Roller Assy. (4)	135707	Support Bracket, R.H.	142048
22. Window Plate and Rivet Assembly	142034	Spacer, Cover (2)	142049
23. Spring	142040		142015
24. Resistor, 135 Ohm, 5W	74840-2		
25. Mounting Plate and Spacer Assembly	134003		
26. Motor and Gear Assembly	133487		
27. Spacer, Selection Accumulator	141563		
28. Mounting Bracket and Pivot Assembly	142030		
29. Magnet and Frame Assembly	135771		
30. Light Socket and Wire Assembly	126516		
31. Lamp 1847	138275		
32. Circuit Breaker	140582		
33. Contact Board and Wire Assembly	142124		
34. Cancel Solenoid Assembly	133476		
Internal Hair Pin (2)	77402-1		
Cup Washer (2)	64766		
Spring (2)	64780		
Plunger (2)	133374		





TURNTABLE AND MOUNTING PLATE ASSEMBLY ILLUSTRATED PARTS LIST

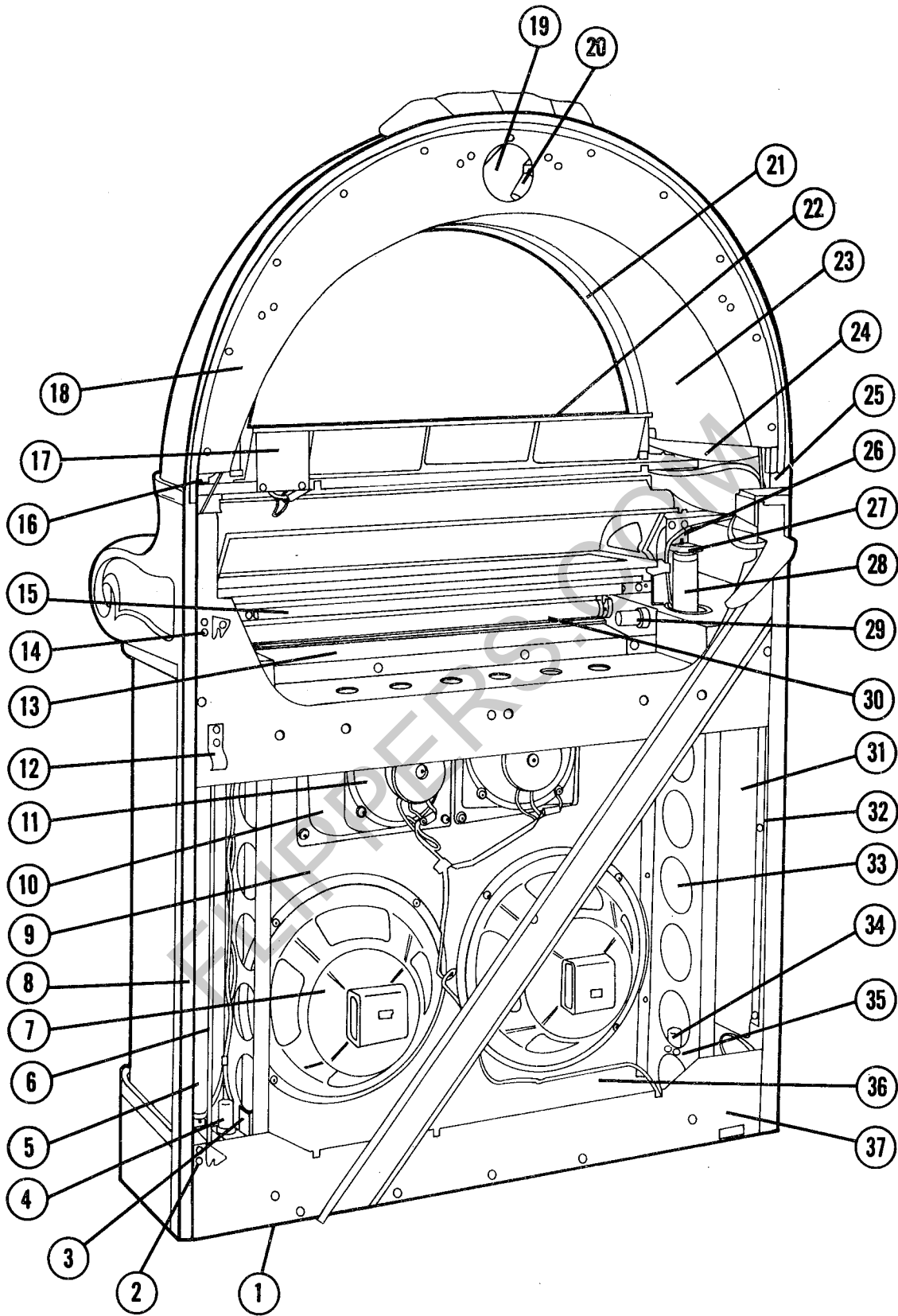
1. "O" Ring	128579
2. Retaining Ring	73724-25
3. Drive Wheel Assembly	128032
4. Shim Washer	135057
5. Retaining Ring	73724-25
6. Cup Washer	124530
7. Spring, Shift, Turntable Drive	128534
8. Spring, Drive Wheel Arm (6-1/2 oz. at 1-1/8")	133543
9. Arm, Hub and Link Assembly	128537
10. Spring, Turntable Return (6-1/2 oz. x 1-1/8")	133543
11. Washer, Felt	124520
12. Motor and Sleeve Assembly	129391
Plug - 2	129377
Pin Terminal (2)	132000
13. Oil Tube	128727
Washer	42120
Cable Clamp	77517-2
14. Mounting Bracket, Turntable Plate	133460
15. Rubber Mount (4)	60882
Nut (8)	73601-7
Lockwasher (8)	73604-6
16. Motor Mounting and Pivot Bracket Assembly	128054
17. Mounting Bracket, Turntable Plate	133462
18. Mounting Plate and Roller Assembly	128173
Spacer, Cover (2)	134864
Lockwasher (2)	73604-6
Washer (4)	54024



CABINET - EXTERIOR VIEW - ILLUSTRATED PARTS LIST

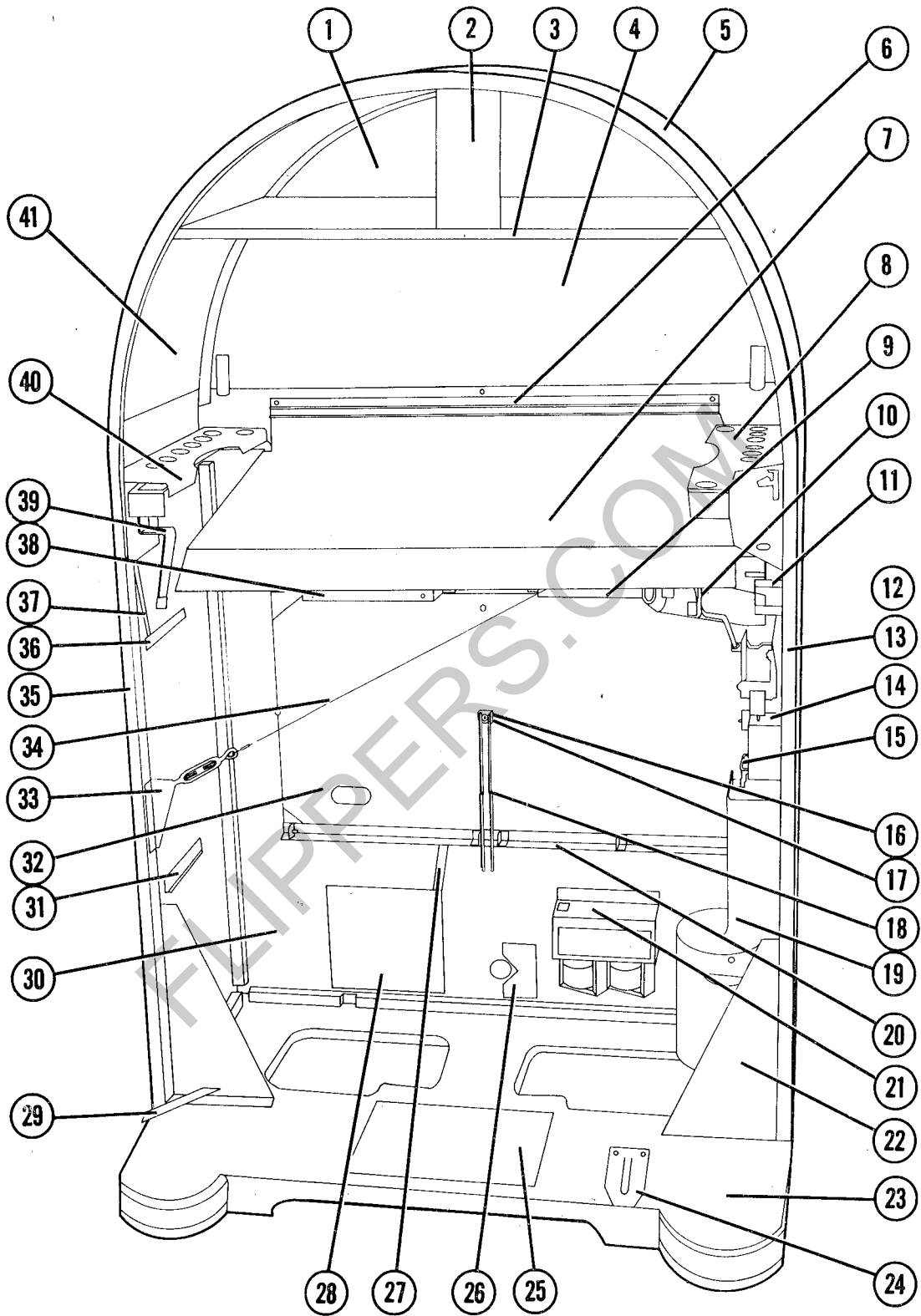
1. Trim Casting, W	141566	31. Extrusion, Trim Cap, Lower	141815
2. Color Shield	142341	32. Grille Screen, Side (2)	141933
Mounting Bracket (2)	143080	33. Grille Screen, Center	141724
Mounting Bracket (2)	143081	34. Overlay, Grille	141633
3. Trim Plastic, Upper Door	141515	35. Extrusion, Frame, Lower Grille, R.H.	141929
4. Color Shield, Top Door	141754	36. Extrusion, Frame, Lower Grille, L.H.	141930
5. Extrusion, Top Door	141758	37. Extrusion, Lower Side, L.H.	141506
6. Extrusion, Frame, Upper Back	141679	38. Extrusion, Lower Side, L.H.	141538
7. Top, Cabinet	141672	39. Extrusion, Grille, Side (2)	141536
8. Program Holder	141914	40. Pilaster, L.H.	141883
9. Select Label	141962	Clamp, Pilaster, Upper and	
10. Mounting Plate and Retainer Assembly	141743	Lower L.H. (2)	143478
11. Extrusion, Trim Cap, R.H.	141685	41. Coin Denomination Label	142666
12. Extrusion, Center Sides (2)	141496	Window Blank (2)	141845
13. Trim Cap, Upper Pilaster, R.H.	141577	Light Diffuser	141846
14. Light Diffuser, R.H.	142067	Clamp, Lower, Coin Denomination	
Light Diffuser, L.H.	142068	Label	141880
Clamp, Lower, Trim Cap (2)	141749	Clamp, Upper, Coin Denomination	
Clamp, Front, Trim Cap (2)	141782	Label	141879
Clamp, Top, Trim Cap (2)	141812	Retaining Bracket, Coin Denomination	
15. Lock Assembly	141822	Label	141881
Washer (not shown)	139564	42. Trim Plate, Lower	141708
Actuator and Pin Assembly (not shown)	140600	Color Shield	141949
Spring, Actuator Return (not shown)	141825	43. Extrusion, Program Holder, Rear	141689
16. Side Assembly, R.H.	141533	44. Pilaster Trim, L.H.	141920
Side Assembly, L.H.	141534	Pilaster Trim, R.H.	141919
17. Extrusion, Rub Rail (2)	141663	45. Selector Switch Assembly	141554
Trim Strip, Back (not shown)	141504	46. Glass and Panel Assembly	141950
Hand Hole Cover Assembly (2)		Program Glass, Clear Tempered,	141690
(not shown)	138371	26-3/8" x 6-7/16" x 1/8"	
18. Light Diffuser and Clamp Assembly, R.H.	141947	Panel, Light Control and Program	141843
19. Extrusion, Upper Side, R.H.	141716	Spacer (2)	141951
Extrusion, Upper Side, L.H.	141717	Spacer (2)	141952
20. End Cap, Program Holder, R.H.	141575	Glass Clamp, Side (2)	142019
21. Pilaster, R.H.	141882	Glass Clamp, Front	141762
Clamp, Upper and Lower, R.H. (2)	141794	Glass Clamp, Rear	141772
Clamp and Pad Assembly, R.H.	143218	47. End Cap, Program Holder, L.H.	141576
22. Extrusion and Pad Assembly (2)	142989	48. Light Diffuser and Clamp Assembly, L.H.	141948
23. Coin Return Cup	140726	49. Light Diffuser, End Cap, L.H.	141892
24. Frame and Lock Plate Assembly	139106	Light Diffuser, End Cap, R.H.	141891
25. Cash Box Door Assembly	142012	Clamp, Light Diffuser, Upper (4)	141922
Cash Box Door	138598	Clamp, Light Diffuser, Lower (2)	141921
Washer	139564	50. Trim Cap, Upper Pilaster, L.H.	141578
Lock and Key Assembly	139712	51. Trim Plate, Upper	141719
Key Guard	113270	52. Extrusion, Trim Cap, L.H.	141686
26. Trim Strip, Side, R.H.	141759	53. Label, Display	142549
Trim Strip, Side, L.H.	141760	54. Program Holder	141912
27. Extrusion, Lower Side, R.H.	141537	55. Program Holder	141913
28. Trim Cap, Lower	141526	56. Glass and Silk Screen Assembly	141924
29. Extrusion, Lower Side, R.H.	141505	57. Extrusion, Service Door, Upper	141715
30. Extrusion, Lower Front	141653		





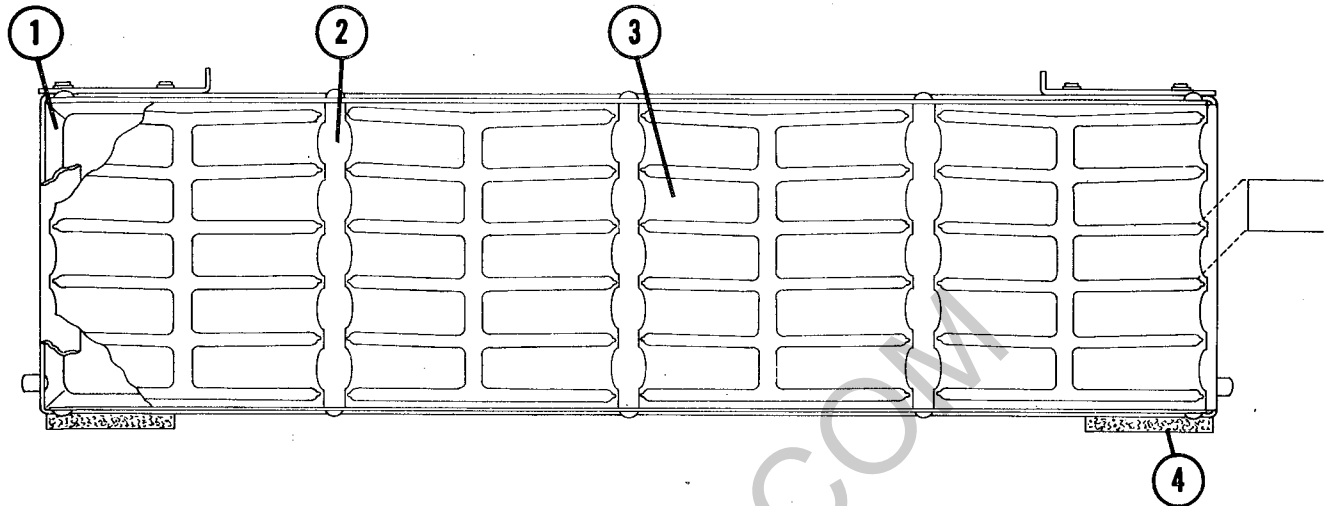
DOOR ASSEMBLY - INTERIOR VIEW - ILLUSTRATED PARTS LIST

1. Roller Assembly	142042	20. Fluorescent Lamp, 15", 14W (2)	141945
2. Mounting Bracket and Weld Screw Assembly	142065	Light Bracket, Upper Door, Upper, R.H.	141788
3. Light Bracket, Lower, R.H.	141764	Light Bracket, Upper Door, Upper, L.H.	141789
4. Starter Socket, Starter	57365 53674	Light Bracket, Upper Door, Lower (2)	142163
5. Fluorescent Lamp, 28", 25W	138771	Socket, Lamp (4)	122743
6. Latch Lever and Link Assembly Eccentric Spacer (2) Keys Nut, 1/4 - 20 (2)	141942 136185 74262-13	Socket, Starter (2)	53674
7. Speaker, 12" (2)	137054	Starter (2)	44928
8. Extrusion, Trim Strip	141884	Cap, 3 (2)	117823
9. Baffle Board	141684	Contact Terminal (4)	113789
10. Mounting Bracket and Weld Screw Assembly (2)	136228	21. Extrusion, Glass Clamp, Door	141781
11. Speaker, 6" (2) Capacitor, 10 MFD., 50V (2)	136665 77375	22. Glass Clamp, Upper Door, Front	141786
12. Actuator, Scan Switch	142075	23. Bracket (2)	143366
13. Retainer and Mounting Bracket Assembly Light Diffuser, Upper Grille	142771 141753	24. Color Shield	141754
14. Mounting Bracket and Weld Screw Assembly	142064	25. Extrusion, Door Frame	141655
15. Program Holder Assembly	142010	26. Light Bracket, Glass Clamp, Upper (2)	141928
16. Extrusion, Light Diffuser	142253	27. Socket, Lamp (4)	131168
17. Light Socket and Wire Assembly Support Housing and Mounting Plate Assembly Light Socket (3) Bulb (3) Plug, 9 Pin Terminal (6)	142013 141723 132396 111816 131174 132000	28. Fluorescent Lamp, 28", 25W	138771
18. Light Diffuser	141756	29. Starter Socket, Starter	57365 53674
19. Strap, Upper Door	141742	30. Fluorescent Lamp, 24", 18W	141925
		31. Color Shield (2)	141706
		32. Support, Color Shield, R.H. Support, Color Shield, L.H.	142050 142051
		33. Clamp, Color Shield (2)	141683
		34. Starter Socket, Starter	57365 53674
		35. Light Bracket, Lower, L.H.	141675
		36. Light Ballast Assembly Light Ballast, 19W (2) Light Ballast, 25W (2) Light Ballast, 15W (2) Socket, 3 (6) Contact Terminal (12)	141552 131273 123950 59051 117824 113789
		37. Door Frame Assembly	141660



CABINET - INTERIOR VIEW - ILLUSTRATED PARTS LIST

1. Top Vent Assembly	141670	22. Gusset (2)	142162
Vent Screen	142069	23. Bottom Assembly	141661
2. Brace	142231	Screen	141662
3. Screen and Support Bracket		24. Guide, Roller	142041
Assembly	141792	25. Instruction Label, Speaker	139200
4. Upper Service Door Assembly	142001	26. Cable Retainer	138373
Service Door	141744	Washer (2)	657
Decorative Background	141808	Wing Nut, 8-32 (2)	76623-2
Latch (2)	76613-11	27. Bonding Strip	139461
Screw, 8-32 x 1-7/16,		28. Cover, Bottom, Power Supply	136214
Wafer (2)	73632-12	29. Door Stop Assembly	142020
Spring Washer (4)	54024	Stop Nut, 1/4-20	73865-10
Washer (4)	74988-12	30. Back (Reference Only)	
Stop Nut, 8-32 (4)	142028	Hand Hole Cover Assy. (2)	138371
5. Extrusion, Frame, Upper Front	141771	Keys Nut, 8/32 (2)	74262-7
6. Retainer, Heat Shield	142748	Screen	141729
7. Heat Shield and Mounting		Catch, Rear Service Door (2)	136667
Bracket Assembly	142751	Service Door Assembly	141700
8. Chassis Rail Assembly, R.H.	141524	31. Support Bracket, BO/AC	141648
9. Latch Rail and Speed Nut Assy.	141839	32. Backing Plate, Amplifier and	
10. Lower Support Bracket,		Control Box	141836
Selector Panel, R.H.	141720	33. Mounting Bracket and Pin Assy.	142295
11. Catch Bracket, Service Door	140075	34. Turnbuckle and Cable Assembly	142571
12. Coin Entry Chute	141950	Retaining Ring	73724-25
13. Mounting Bracket, Light Shield	142314	35. Hinge	141503
14. Scan Switch and Bracket Assy.	141973	36. Mounting Plate, BO/AC	141650
Scan Switch	138513	37. Bonding Strip	142059
Resistor, 4.3K, 1/4W, 5%	77308-255	38. Latch Rail and Speed Nut Assy.	141838
Plug, 12	137233	39. Lower Support Bracket,	
Pin Terminal (7)	132000	Selector Panel, L.H.	141721
15. Coin Return Chute	136394	40. Chassis Rail Assembly, L.H.	141525
16. Mounting Bracket, Fall Support	137256	41. Decorative Panel, Background,	
17. Shoulder Pin (2)	137257	Side, L.H.	141833
Retaining Ring (2)	73724-18	Decorative Panel, Background,	
18. Link Assembly (2)	140651	Side, R.H.	141832
19. Coin Bag Housing	138172		
20. Support Rail and Bracket Assy.	136554		
21. Accessory Terminal Panel	141965		
Mounting Bracket and	141515		
Silkscreen Assembly			
Cable and Plug Assembly	141970		
Transformer, Audio Output (2)	140924		
Cable, Terminal and Plug			
Assembly (RVC)	141971		



PROGRAM HOLDER ILLUSTRATED PARTS LIST

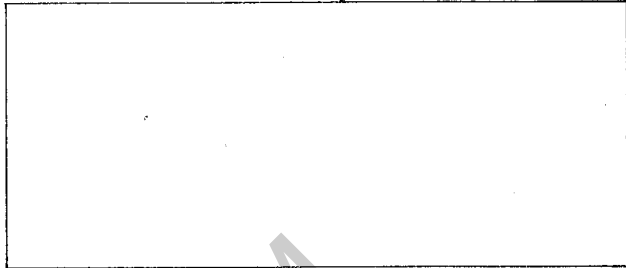
1.	Program Holder Frame Assy.	141908
2.	Extrusion, C1-CO	141886
	Extrusion, D1-EO	141887
	Extrusion, F1-GO	141888
	Extrusion, H1-JO	141889
	Extrusion, K1-KO	141890
3.	Program Holder (4)	141654
4.	Pad (2)	76920-48

INTERCONNECTING CABLE ASSEMBLIES USED IN MODEL 1050 JUKEBOX
(Not shown on Illustrated Parts Drawings)

1.	Cable, Plug and Receptacle Assembly (Power Supply to Amplifier)	136699	4.	Cable, Plug and Receptacle Assembly (Chassis to Control Box)	139317
2.	Cable, Plug and Receptacle Assembly (Power Supply to Control Box)	138640	5.	Cable and Plug Assembly (BO/AC to Control Box)	141979
3.	Cable, Plug and Receptacle Assembly (Selection Accumulator to Control Box)	138516	6.	Cable Assembly (Slug Rejector to BO/AC)	142017

DEPOSIT MIXED COINS IN ANY SEQUENCE	
PRICING	SINGLES
\$1.00	12
.75	8
.50	5
.25	2

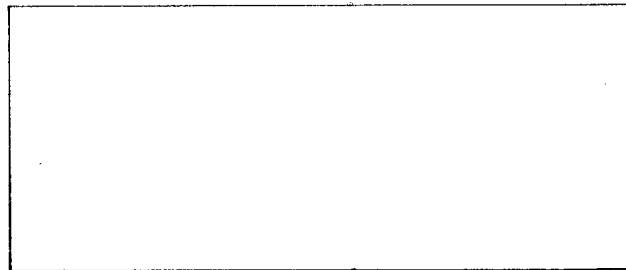
142666



WINDOW BLANK - COIN DENOMINATION
141845 (2 required)

DEPOSIT MIXED COINS IN ANY SEQUENCE		
PRICING	SINGLES	LP SIDES
\$1.00	12	4
.75	8	3
.50	5	2
.25	2	1

142704



LIGHT DIFFUSER - COIN DENOMINATION
141846

DEPOSIT INSTRUCTIONS	PART NO.	PRICING	SINGLES	PROGRAM CARD
DEPOSIT MIXED COINS IN ANY SEQUENCE	142664	1.00-75-50-25	14-8-5-2	139545
	142665	1.00-75-50-25	12-9-6-2	140859
	142666	1.00-75-50-25	12-8-5-2	138442
	142667	1.00-75-50-25	11-8-5-2	139325
	142668	1.00-75-50-25	10-8-5-2	140394
	142669	1.00-75-50-25	10-7-5-2	139664
	142670	1.00-75-50-25	10-6-4-2	139709
	142671	1.00-75-50-25	9-7-3-1	139747
	142672	1.00-75-50-25	8-5-4-2	140419
	142673	1.00-75-50-25	4-3-2-1	139715
	142674	1.00-50-25	4-2-1	139715
	142675	1.00-50-25	8-4-2	140419
	142676	1.00-75-50-25	8-5-3-1	143685
	142677	1.00-75-50-25-15	12-8-5-2-1	141532
	142678	1.00-75-50-25-10	20-14-9-4-1	138959
	142679	1.00-75-50-25-10	16-11-7-3-1	138958
	142680	1.00-75-50-25-10	15-10-6-3-1	138441
	142681	1.00-75-50-25-10	13-9-6-3-1	138437
	142682	50-25-10	7-3-1	138958
	142683	1.00-75-50-25	7-5-3-1	143670
	142684			
	142685	50-25-10-5	12-6-2-1	139542
	142686	50-35-25-10-5	10-7-5-2-1	139543
	142687	50-25-10-5	10-5-2-1	139543
142688				
142689	1.00-75-50-25	15-10-7-3	142388	
DEPOSIT NICKELS, DIMES OR QUARTERS IN ANY SEQUENCE	142690	1.00-75-50-25-10	16-11-7-3-1	138958
	142691	1.00-75-50-25-10	13-9-6-3-1	138437
	142692			
	142693			
DEPOSIT DIME OR 2 NICKELS	142694	DIME - 2 NICKELS	3-3	139746
	142695			
	142696			
DEPOSIT QUARTERS AND HALF DOLLARS	142697	1.00-75-50-25	12-8-5-2	138442
	142698	1.00-50-25	10-5-2	139664
	142699			
	142700			
	142701			
	142702			
DEPOSIT MIXED COINS IN ANY SEQUENCE	142703	1.00-75-50-25	14-8-5-2	139545
	142704	1.00-75-50-25	12-8-5-2	138442
	142705	1.00-75-50-25	11-8-5-2	139325
	142706	1.00-75-50-25	14-9-6-2	141678
	142707	1.00-75-50-25	10-7-5-2	139664
	142708			
	142709			
	142710			
	142711	1.00-75-50-25-10	20-14-9-4-1	138959
	142712	1.00-75-50-25-10	16-11-7-3-1	138958
	142713	1.00-75-50-25-10	15-10-6-3-1	138441
	142714	1.00-75-50-25-10	13-9-6-3-1	138437
	142715			
	142716			
	DEPOSIT QUARTERS ONLY	142717	1.00-75-50-25	12-8-5-2
142718				

L.P. SIDES				
\$1.00	.75	.50	.25	.10
5	3	2	1	
4	3	2	1	
4	3	2	1	
5	3	2	1	
5	3 + 1 SINGLE	2 + 1 SINGLE	1	
6 + 2 SINGLES	4 + 2 SINGLES	3	1 + 1 SINGLE	
5 + 1 SINGLE	3 + 2 SINGLES	2 + 1 SINGLE	1	
5	3 + 1 SINGLE	2	1	
4 + 1 SINGLE	3	2	1	
4	3	2	1	

