



**WURLITZER**

**3300**

**SERIES**

**PHONOGRAPH  
SERVICE  
MANUAL**

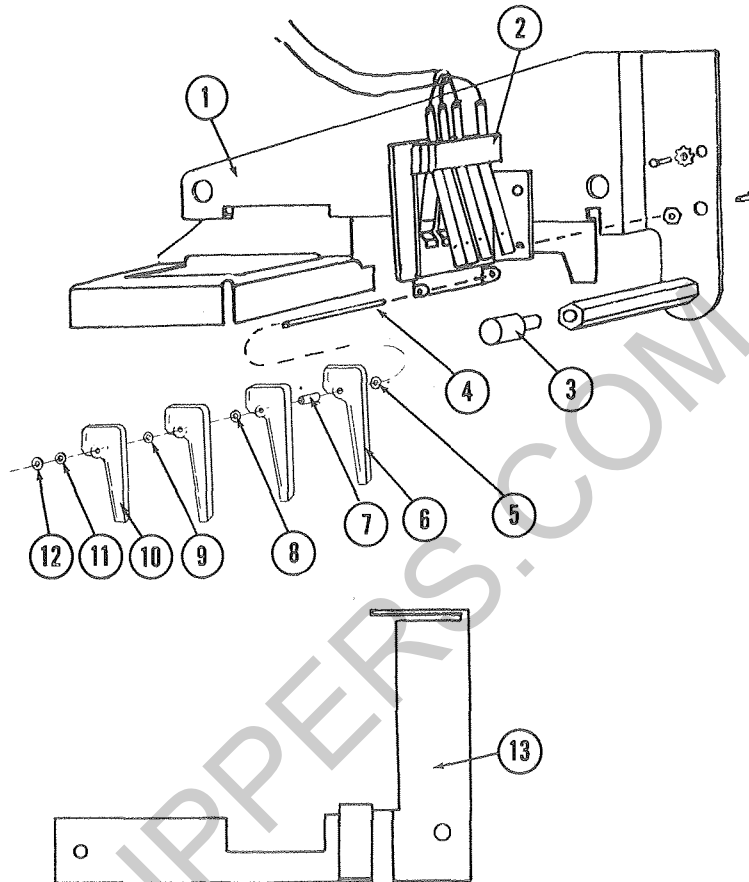


FIG. 11. COIN SWITCH ASSEMBLY

1. Mounting Bracket & Spacer	131039	8. Copper Washer	119107-F
2. Coin Switch	131186	9. Copper Washer	119107-F
3. Thumb Screw	35745	10. Short Paddle	119107-B
4. Shaft	119107-C	11. Iron Washer	119107-E
5. Copper Washer	119107-F	12. Iron Washer	119107-E
6. Long Paddle (3)	119107-A	13. Angle & Guard	131215
7. Spacer	119107-D		

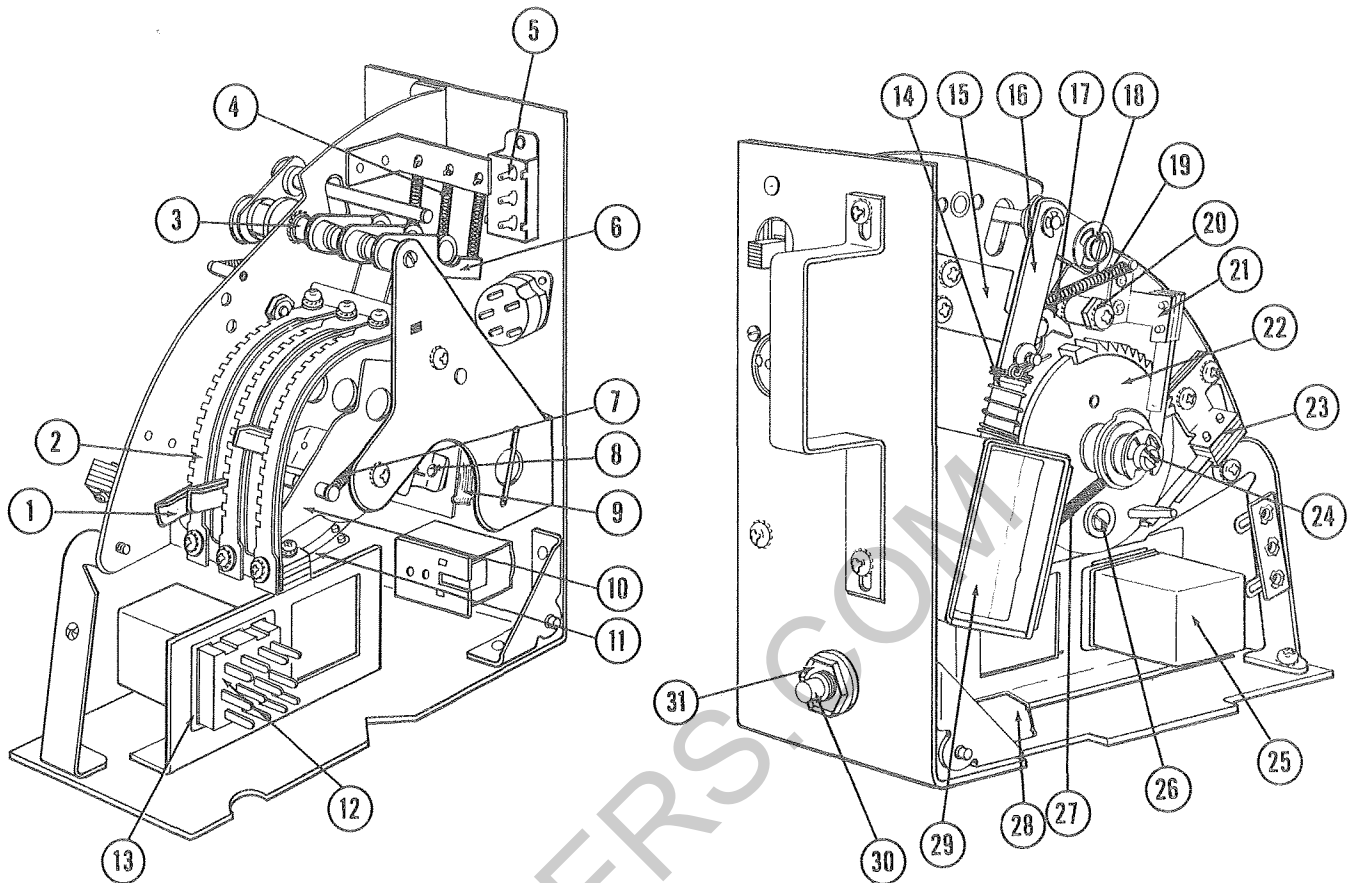
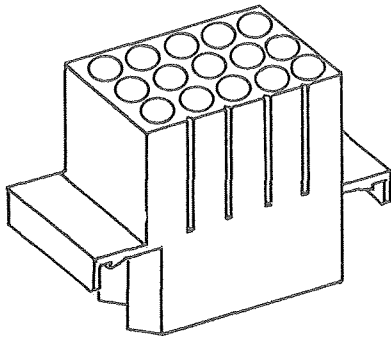


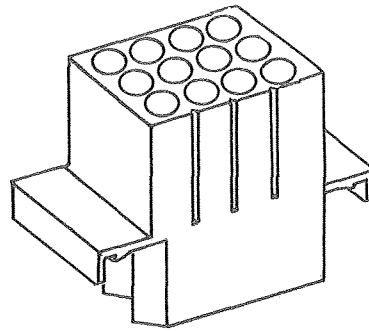
FIG. 12. COIN REGISTER MECHANISM

1. Stop Lever (3)	66132	17. Pivot Arm & Pawl	123637
2. Indexing Strip, 10¢	123659	Washer	53541
Indexing Strip, 25¢	123658	18. Pivot Pin	123635
Indexing Strip, 50¢	123657	Retaining Ring	73724-25
3. Shaft, Lockout Lever	123634	19. Spring, Pawl	62145
4. Spring, Lockout Lever (3)	62145	20. Adjustment Cam	42868
5. Switch	126006	21. Switch & Bracket Assy.	124473
6. Lever, Lockout (3)	123648	Switch	126749
7. Spring, Accumulator Wheel (3)	124849	22. Cancel Wheel	130777
8. Coin Lever	123643	23. Switch & Bracket Assy.	131022
9. Coin Magnet & Bracket Assy.	123641	Switch	131019
Coil (3)	65770	24. Shaft	128575
10. Accumulator Wheel (3)	123650	Retaining Ring	73724-25
11. Switch	132632	25. Relay, Red	122366
Adjusting Plate	132630	26. Screw, Nylon	74977-14
12. Socket, Relay	122131	27. Spring, Cancel Wheel	66071
13. Retainer, Relay Socket	122132	28. Strain Relief	71878-6
14. Spring, Return	66072	29. Solenoid, Cancel	124925
Eyelet (2)	66070	30. Circuit Breaker	128782
15. Stop Bracket	66069	31. Palnut	73797-15
16. Link	66065	Lockwasher	73607-11
Retaining Ring	73724-15		

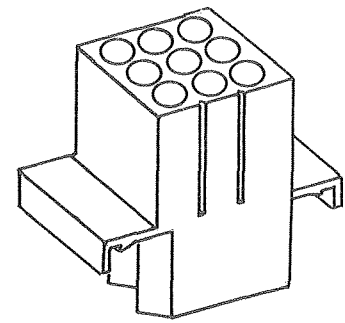
MOLEX PLUGS



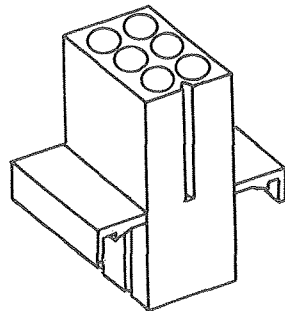
Plug 15 White 131887  
 Plug 15 Red 131891  
 Plug 15 Blue 131889



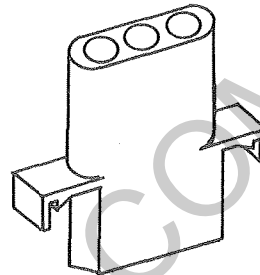
Plug 12 White 131176  
 Plug 12 Red 131928



Plug 9 White 131174  
 Plug 9 Red 131930

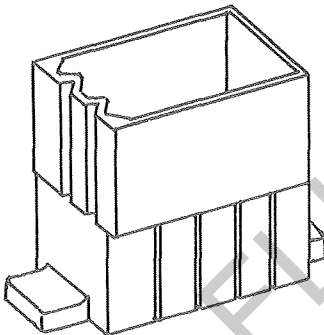


Plug 6 White 131172

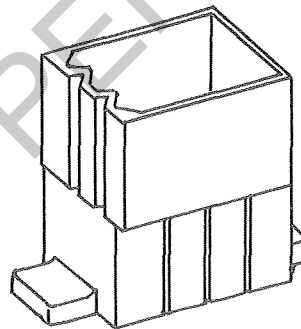


Plug 3 White 130253

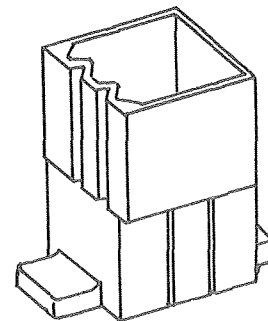
MOLEX SOCKETS



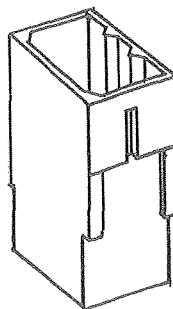
Socket 15 White 131888  
 Socket 15 Red 131892  
 Socket 15 Blue 131890



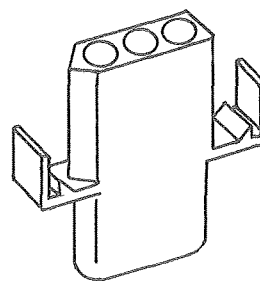
Socket 12 White 131175  
 Socket 12 Red 131929



Socket 9 White 131173  
 Socket 9 Red 131931



Socket 6 White 131171



Socket 3 White 130254

Pin (Male) 132000

Contact (Female) 132001

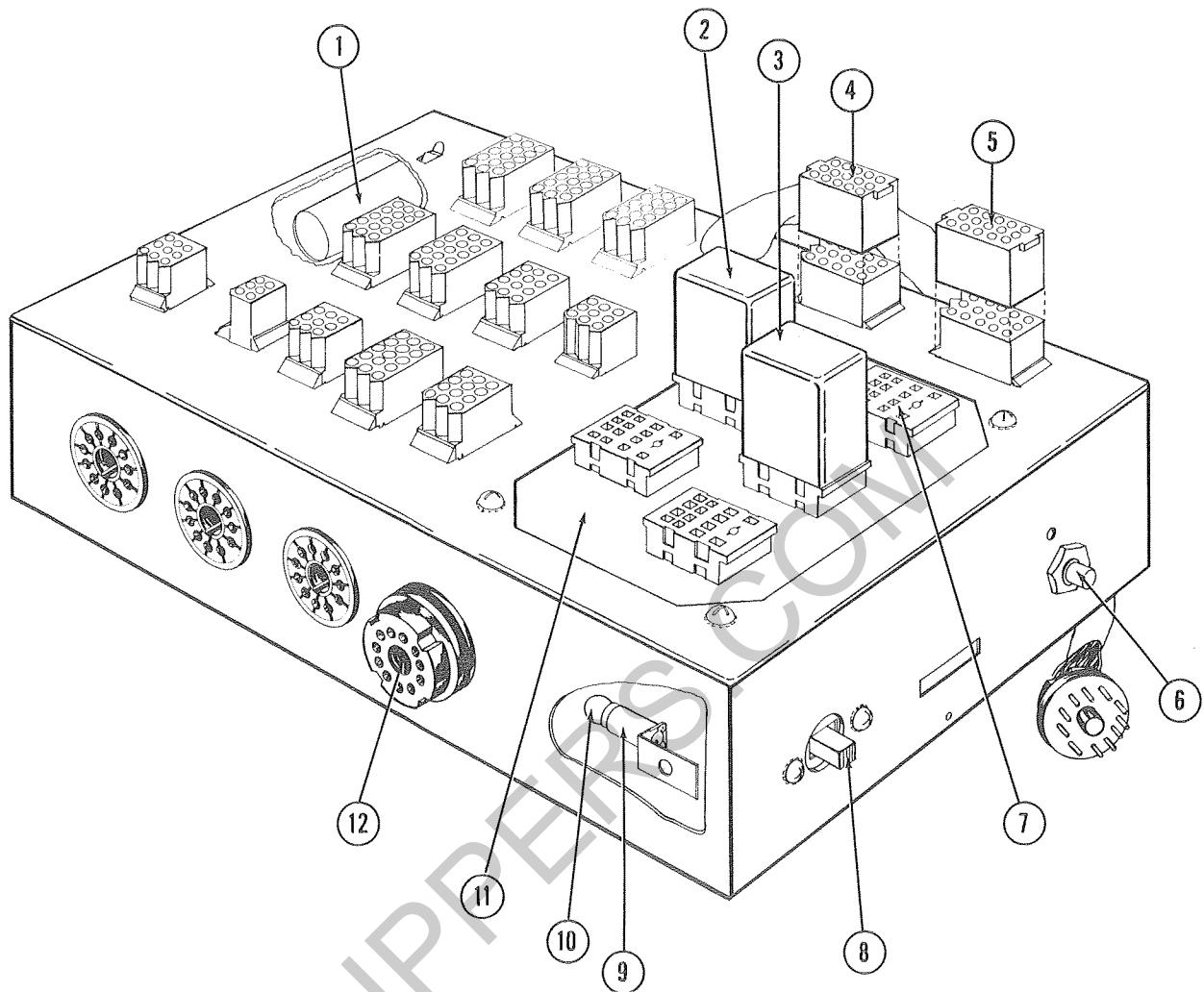


FIG. 18. JUNCTION BOX - 200

1. Capacitor, 124-149 Mfd., A.C.	74808	5. Plug & Wire Assy., White	
Capacitor, 65-93 Mfd., A.C.	70901	(L.P. Jumper)	132454
Capacitor, .1 Mfd., 400V.	76329-124	6. Circuit Breaker	128801
Capacitor, 35 Mfd., 50V.	76356	Palnut	73797-15
Capacitor, 100 Mfd., 50V.	73846-32	7. Socket, Relay, Without Color Code	132132
Resistor, 175 ohm, 5W.	74824-2	8. Switch, Service	123715
Resistor, 270 ohm, 5W.	74455-2	9. Lamp Socket	122358
Resistor, 560 ohm, 2W.	72474-32	10. Lamp, G.E. 303	122359
2. Relay, Red, 24V., A.C.	122366	11. Printed Board Assy. (with sockets)	132366
3. Relay, White, 28V., D.C.	122133	12. Plug & Wire Assy. (Stepper Jumper)	121319
4. Plug & Wire Assy., Red (T.T. Jumper)	132453		

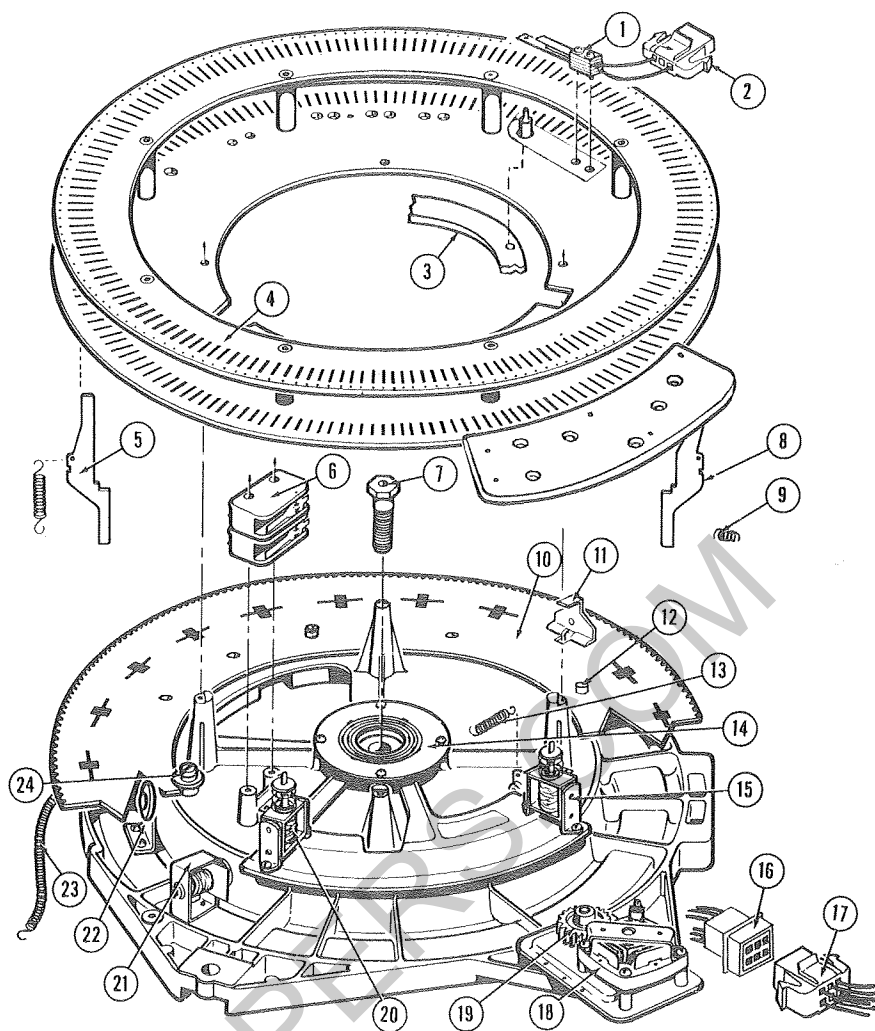


FIG. 19. ELECTRIC SELECTOR - 200

1. Switch (4)	65952	16. Cap, 6 Circuit	113527
2. Socket, 3 Circuit Cap, 3 Circuit	117824 117823	17. Socket, 6 Circuit Contact (10)	113528 111527
3. Wobble Ring Spacer (4)	67927 68650	18. Motor & Gear	111913
4. Selector Plates & Spacer	123832	19. Gear, Pinion Roll Pin	73782-32
5. Latch Pin, Inner (100)	110941	20. Solenoid, Selector Stop (9)	68617
6. Switch, Reverse Switch, Start	61596 60655	21. Solenoid, Selector (20) Plunger	68594 130461
7. Stud Nut, 1/2-20	69246 73797-18	Washer	64766
8. Latch Pin, Outer (100)	110942	Spring	64780
9. Spring, Latch Pin (200)	110480	Internal Hair Pin	74402-1
10. Rotating Plate	67920	22. Bracket & Roller (3)	68651
11. Rocker, Rotating Plate (20)	67926	23. Spring, Rotating Plate	68755
12. Stop Pin (20) Washer (20)	115411 28078	24. Roller, Guide (3)	68656
13. Spring, Number Quadrant	62773	Stud, Eccentric, Guide Roller (3)	69659
14. Contact Plate	66186	Retaining Ring (3)	73724-31
15. Solenoid, Selector Stop (1) Plunger	68804 68608		
Washer	64766		
Spring	64780		
Internal Hair Pin	74402-1		

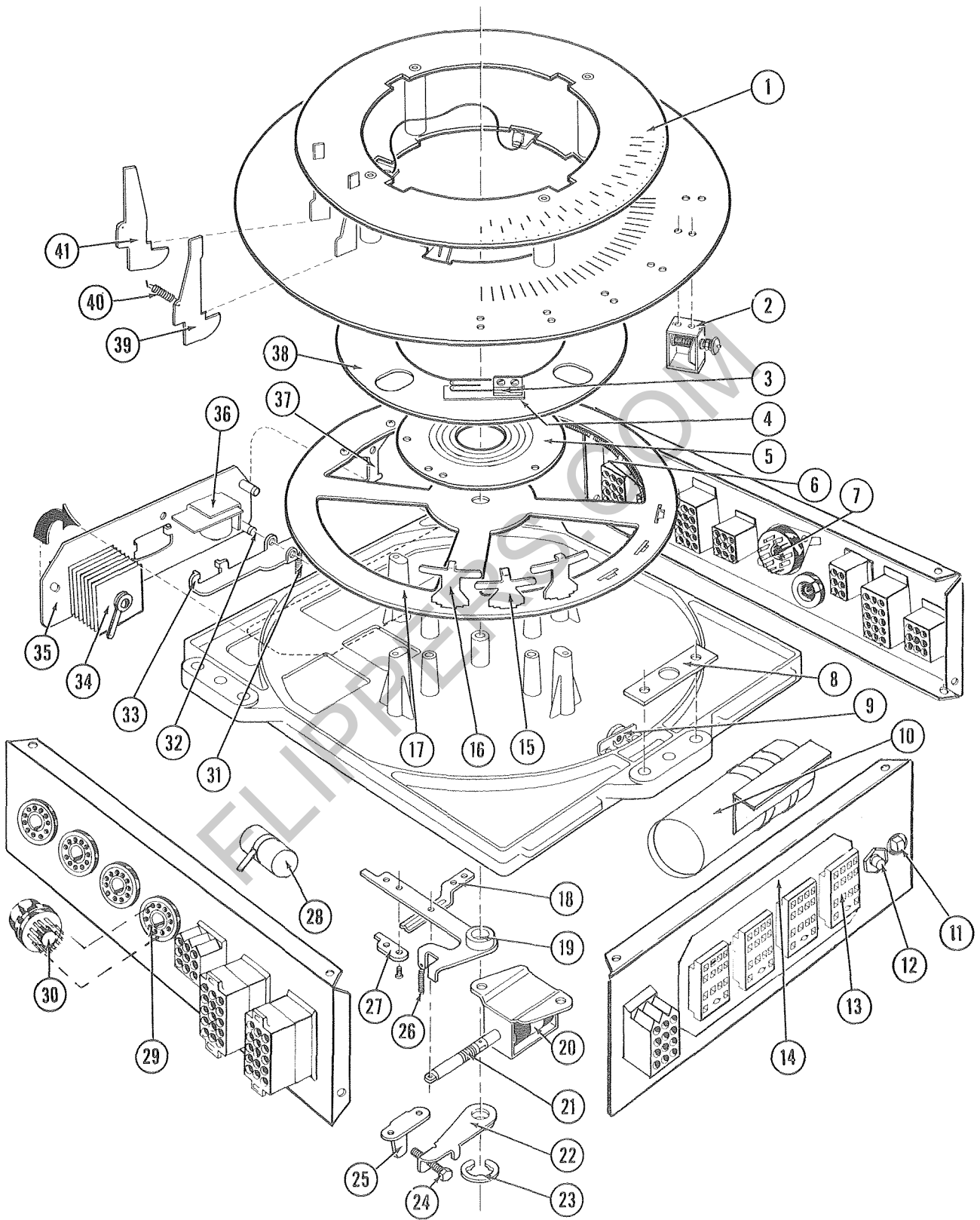


 FIG. 20. ELECTRIC SELECTOR - 100

1.	Plate & Spacer	122372	23.	Retaining Ring	73724-50
2.	Solenoid, Selector (20) Plunger	64602 130461	24.	Screw, 8-32 x 7/8", Hex Hd.	73793-87
3.	Override Switch (4)	115918	25.	Stop, Centering Yoke	115824
4.	Insulator	64595	26.	Spring (2)	115821
5.	Contact Plate	66186	27.	Guide Plate, Centering Yoke	115822
6.	Spring, Rotating Plate	115973	28.	Capacitor, 150 Mfd., 50V.	73889-620
7.	Socket, 11 Pin	38492		Capacitor, 50 Mfd., 50V.	73845-32
8.	Guide, Selector Mount	61850		Capacitor, 20 Mfd., 50V.	73840-42
9.	Roller	64630		Capacitor, .1 Mfd., 400V.	76329-124
10.	Capacitor, 124 Mfd., 50V.A.C. Clamp	74808 74809-4		Resistor, 175 ohms, 5W.	74824-2
11.	Service Switch	123715		Resistor, 560 ohms, 2W.	72474-32
12.	Circuit Breaker	128801		Resistor, 310 ohms, 5W.	70684-2
13.	Socket, Relay, Without Color Code	132132	29.	Socket, 11 Pin	38492
14.	Printed Board Assy. Resistor, 85 ohms, 5W.	132339 71886-2	30.	Plug & Wire Assy.	121319
15.	Rocker, Short (10)	117692	31.	Spring, Stop Arm	64773
16.	Rocker, Long (10)	115788	32.	Stop Pivot	64649
17.	Rotating Plate	115787	33.	Stop Arm	115862
18.	Guide, Centering Yoke	115823	34.	Rectifier	118663
19.	Centering Yoke	115802	35.	Mounting Plate	117986
20.	Solenoid, Driver (2) Mounting Bracket	115975 115811	36.	Magnet & Frame	117987
21.	Spring & Plug Assy.	64783	37.	Stop Bracket, Selector	115789
22.	Adjusting Bracket	115798	38.	Wobble Plate	115796
			39.	Latch Pin, Inner (50)	115806
			40.	Spring, Latch Pin (100)	57110
			41.	Latch Pin, Outer (50)	115807

See Page 8A for Molex Plugs &amp; Receptacles



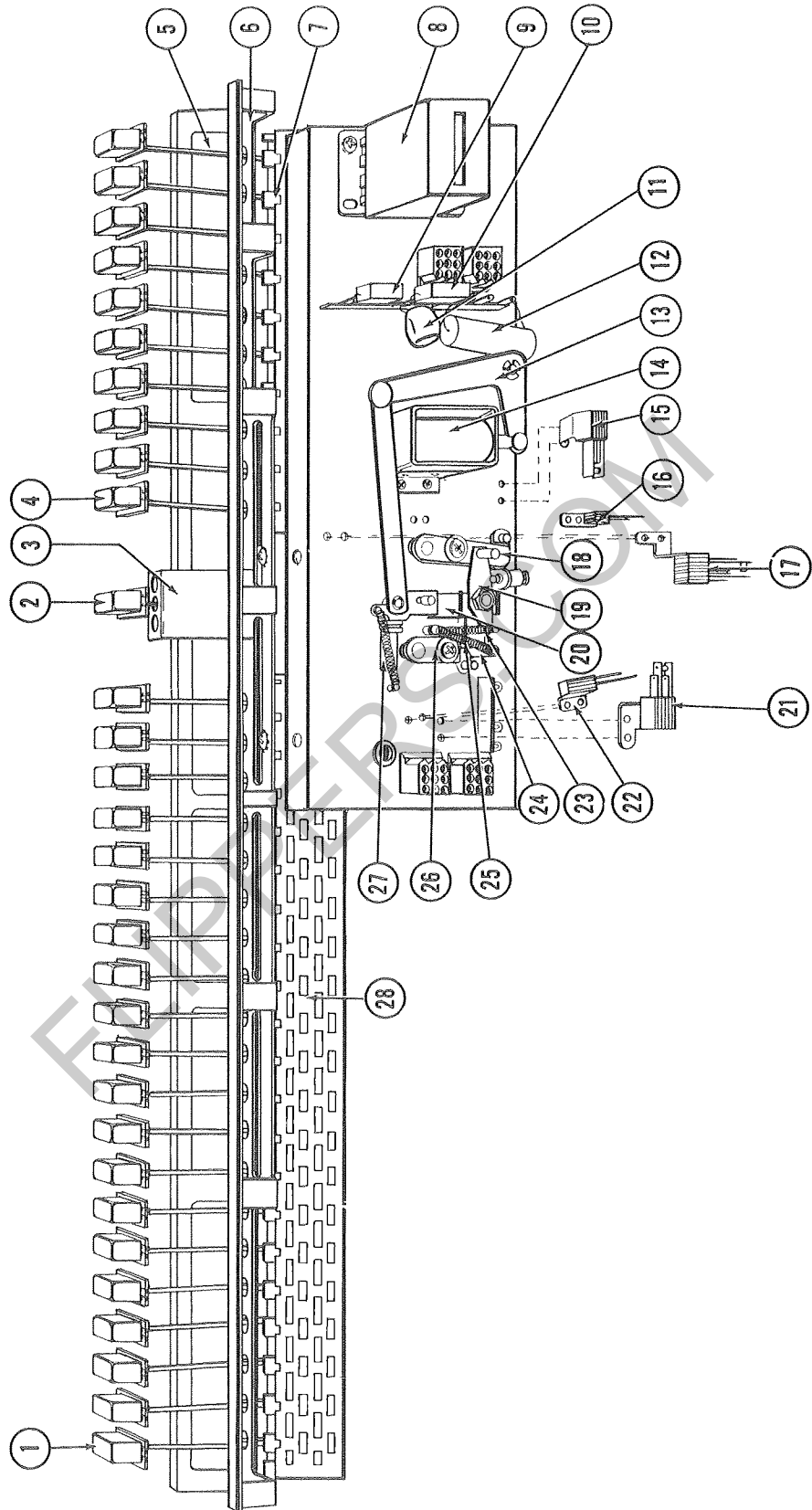


 FIG. 21. SELECTOR SWITCH ASSEMBLY

	200	100		200	100
1. Selector Button & Clip Assy., A	131953	131953	5. Light Diffuser	132347	132347
Button & Clip Assy., B	131954	131954	6. Light Diffuser	132348	132348
Button & Clip Assy., C	131955	131955	7. Selector Switch, Numbers	132049	132051
Button & Clip Assy., D	131956	131956	8. Counter	129486	129486
Button & Clip Assy., E	131957	131957	9. Resistor, 175 ohms, 5W.	74824-2	74824-2
Button & Clip Assy., F	131958	131958	10. Resistor, 85 ohms, 5W.	74819-2	74819-2
Button & Clip Assy., G	131959	131959	11. Capacitor, .1 Mfd., 400V.	76329-124	76329-124
Button & Clip Assy., H	131960	131960	12. Capacitor, .22 Mfd., 400V.	74325-24	74325-24
Button & Clip Assy., J	131961	131961	13. Crank & Link	111720	111720
Button & Clip Assy., K	131962	131962	14. Latch Solenoid	112104	112104
Button & Clip Assy., L	131963		Plunger, Solenoid	112104A	112104A
Button & Clip Assy., M	131964		Pin, Solenoid Plunger	65947	65947
Button & Clip Assy., N	131965		Mounting Bracket, Solenoid	117747	117747
Button & Clip Assy., P	131966		15. Latch Switch & Bracket Assy.,	126314	126314
Button & Clip Assy., Q	131967		Numbers		
Button & Clip Assy., R	131968		16. Series Switch, Numbers	111810	111810
Button & Clip Assy., S	131969		17. Control Switch & Bracket Assy.	125406	125406
Button & Clip Assy., T	131970		18. Latch Levers, Numbers	65009	65009
Button & Clip Assy., U	131971		19. Trip Lever, Numbers	117694	117694
Button & Clip Assy., V	131972		20. Release Lever	129102	129102
Cap Only	131900	131900	21. Latch Switch, Letters	126314	126314
Clip Only	131909	131909	22. Series Switch, Letters	66007	66007
2. Button & Clip Assy., Reset	131983	131983	23. Spring, Number Trip	120067	120067
3. Switch, Reset	132230	132230	24. Trip Lever, Letters	117691	117691
4. Selector Button & Clip Assy., 1	131973	131973	25. Spring, Letter Trip	57129	57129
Button & Clip Assy., 2	131974	131974	26. Latch Lever, Letters	117695	117695
Button & Clip Assy., 3	131975	131975	27. Stop Bracket	56628	56628
Button & Clip Assy., 4	131976	131976	Rubber Grommet	117689	117689
Button & Clip Assy., 5	131977	131977	28. Selector Switch, Letters	132048	132050
Button & Clip Assy., 6	131978	131978			
Button & Clip Assy., 7	131979	131979			
Button & Clip Assy., 8	131980	131980			
Button & Clip Assy., 9	131981	131981			
Button & Clip Assy., 0	131982	131982			
Cap Only	131900	131900			
Clip Only	131909	131909			
Complete Set Selector Button	131953A	131953B			
& Clip Assy.					

See Page 8A for Molex Plugs &amp; Receptacles

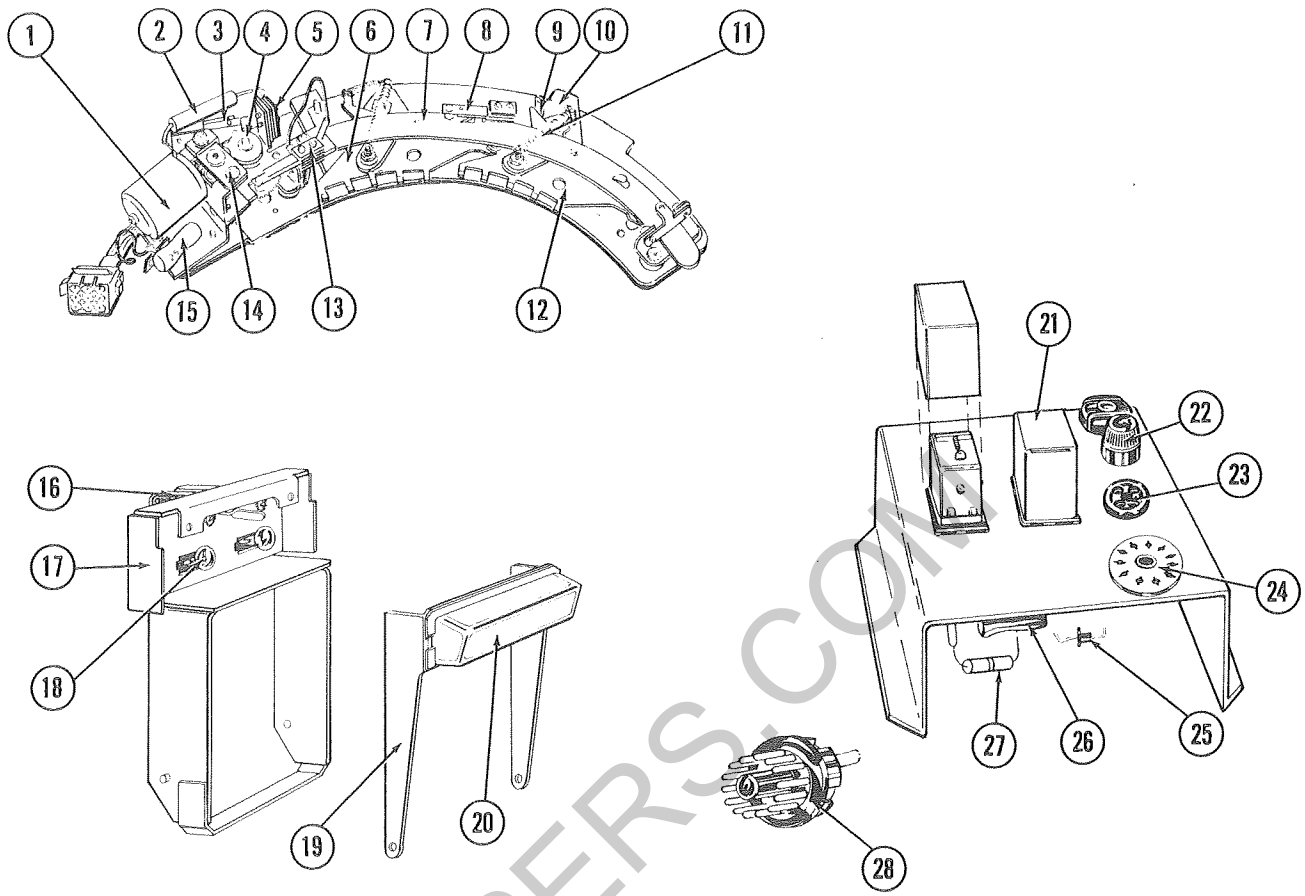


FIG. 22. TOP TUNE AUTOMATIC PROGRAMMING ASSEMBLY

	200	100		200	100
1. Motor & Worm	124928	124928	17. Mounting Bracket	132297	132297
2. Choke Coil	121291	121291	18. Lamp, GE-12 (2)	111816	111816
3. Switch, Cancel	124014	124014	Socket .(2)	132396	132396
4. Actuator, Disc & Hub	126784	126784	19. Pivot Bracket	133071	133071
5. Switch, Full Cycle	124015	124015	20. Button	132034	132034
6. Actuator, T.T.	124073	124097	Light Diffuser	132108	132108
7. Trip Lever	124084	124108	Insert, Golden Bar	132109	132109
8. Switch, Release	124002	124002	21. Relay, White (2)	122133	122133
9. Latch Lever (2)	126190	126191	22. Fuse Post	121809	121809
10. Spring (2)	110480	125737	Fuse, .5 Amp. Slo-Blo	71591-6	71591-6
11. Spring (2)	124086	124086	23. Socket, 4 Pin Min.	69090	69090
12. Actuator, T.T.T.	124074	124098	24. Socket, 12 Pin	114325	114325
Actuator, 9 T.T.	124075	124099	25. Rectifier (3)	76700-2	76700-2
Actuator, 8 T.T.	124076	124100	26. Resistor, 120 ohm, 7W.	74868-2	74868-2
Actuator, 7 T.T.	124077	124101	Resistor, 150 ohm, 5W.	74822-2	74822-2
Actuator, 6 T.T.	124078	124102	Resistor, 560 ohm, 2W.	72474-32	72474-32
13. Switch, Counter	124014	124014	27. Plug, 12 Pin	114324	114324
14. Gear, Pinion & Bracket Assy.	125968	125968	28. Capacitor, 100 Mfd., 50V.	73846-32	73846-32
15. Resistor, 25 ohms .5W	74817-2	74817-2	Capacitor, 4 Mfd., 90V.	73835-43	73835-43
16. Switch, T.T.	125211	125211			

See Page 8A for Molex Plugs & Receptacles

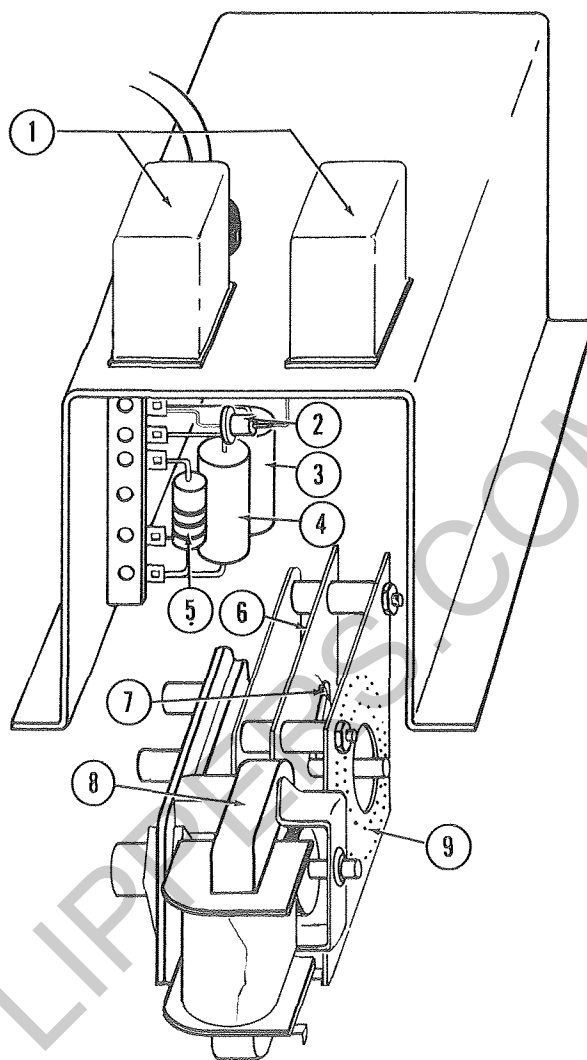


FIG. 23. L.P. UNIT

1. Relay, White Cover, 28 V.D.C.	122133	6. Contact Plate, A.C.	124454
2. Diode	71588-17	7. Contact Hub & Spring Assy.	124453
3. Capacitor, .22 Mfd., 400 Volts	74325-24	8. Motor	119275
4. Capacitor, 20 Mfd., 50 Volts	73840-42	9. Contact Plate, D.C.	124455
5. Resistor, 560 ohm, 2W.	72474-32		

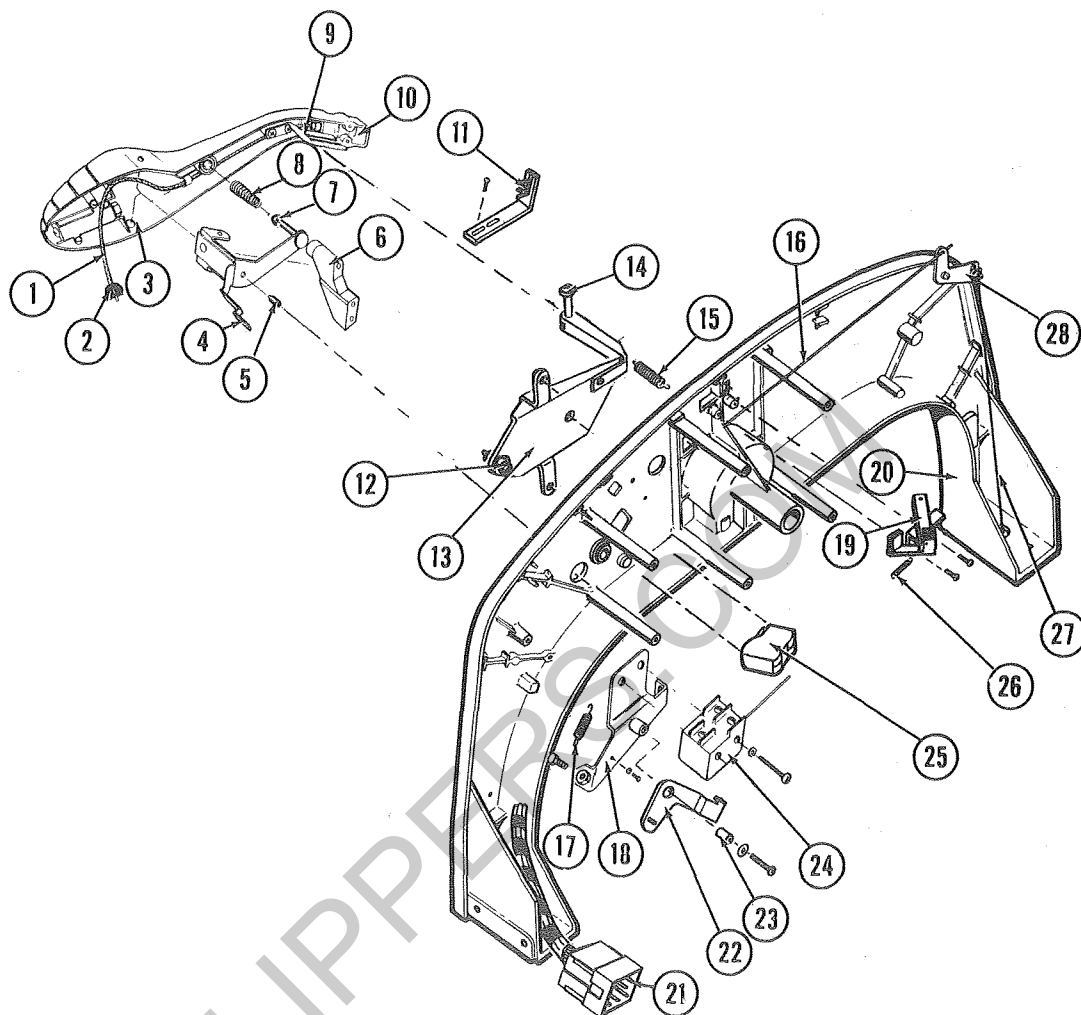


FIG. 44. TOP SUPPORT CASTING

1. Wire & Plug Assy. Clip (4)	132248 132680	15. Spring	65096
2. Plug, 4 Pin	69089	16. Wire Link	126034
3. Tone Arm Sub Assy.	132562	17. Spring, Trip Switch Bracket	59615
4. Gimbal & Stop Nut Assy.	120451	18. Bracket & Stop Nut	121249
5. Pivot Screw	59394	19. Bracket & Arm Assy. Bumper	121953 54246
6. Mounting Casting & Pin Assy.	120452	20. Support Casting & Bushing Assy.	121911
7. Nut, 10-32, Nylock	73865-8	21. Plug, Molex 9 White	131174
8. Spring, Tone Arm Pressure	114484	22. Adjusting Bracket, Trip Switch	121690
9. Latch Bracket	64423	23. Bushing Screw, 8-32 x 1-1/4", R.H.	59411 73533-44
10. Cartridge & Needle Assy. Needle, Double Tip Diamond Screw, 4-40 x 5/16" (2)	132249 132679 73533-3	24. Trip Switch	121229
11. Brush Holder Brush	121949 119080	25. Switch, Safety Insulator	60655 59900
12. Screw, 8-32 x 1", R.H. Nylon	74288-27	26. Spring Tone Arm Brush	115821
13. Bracket & Stop Nut	120435	27. Cable, Tone Arm Brush Sleeve, Tone Arm Brush Cable	125758 59881
14. Stop Pin, Tone Arm	115660	28. Bell Crank Assy.	131429

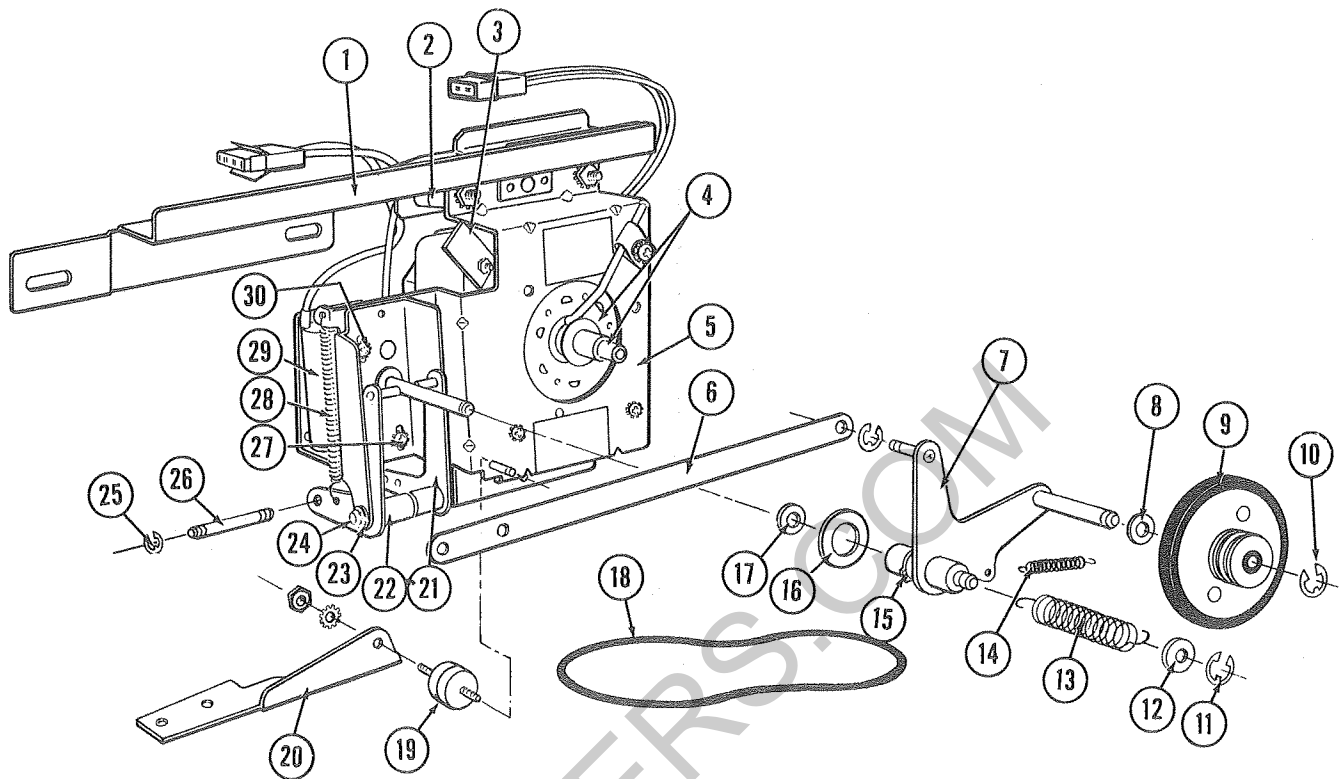


FIG. 45. TURNTABLE DRIVE ASSEMBLY

1. Mounting Bracket Assy., Upper	124814	16. Washer	124521
2. Rubber Mount	60882	17. Felt Washer	124520
3. Plate	124834	18. Belt (2)	124527
4. Motor & Sleeve Assy.	124638	19. Rubber Mount	60882
5. Stud & Motor Mtg. Bracket Assy.	124537	20. Bracket	124502
6. Link, T.T. Shift, L.H.	124492	21. Bell Crank Assy. - L.H.	125374
7. Bearing & Arm Assy.	124546	22. Bell Crank Assy., - R.H.	125373
8. Washer	59673	23. Retaining Ring	73724-18
9. Drive Wheel	124495	24. Shaft	124519
10. Retaining Ring	73724-25	25. Retaining Ring	73724-15
11. Retaining Ring	73724-25	26. Shaft	124518
12. Cup Washer	124530	27. Screw, 6-32 x 5/16", R.Hd.	73533-23
13. Spring	124526	28. Spring	124487
14. Spring	124525	29. Shift Solenoid	121095
15. Retaining Ring	73727-50	30. Screw, 6-32 x 5/16", R.Hd.	73533-23

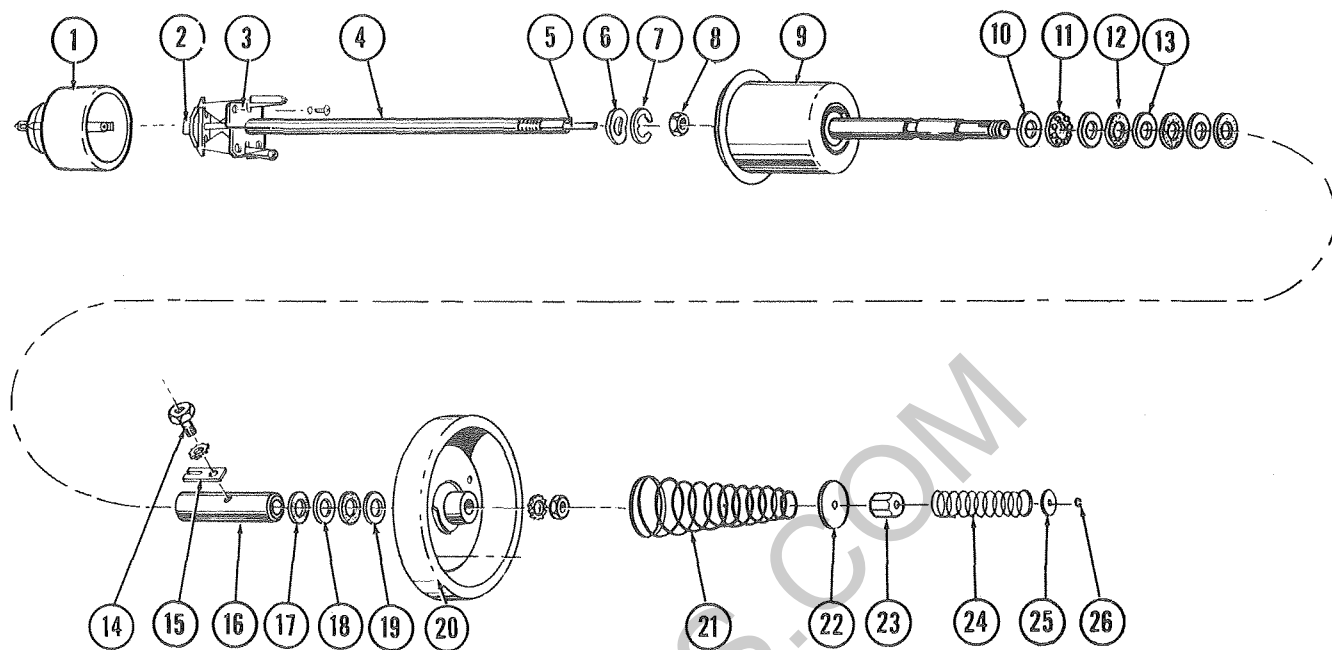


FIG. 46. TURNTABLE ASSEMBLY

1. Pilot	122113	11. Ball Race	59867
2. Cam, Clamp Lever	119409	12. Shim, Fiber	63732
3. Plate & Arms Assy.	119439	13. Shim, Steel	63731
Lever, Record Clamp (2)	119412	14. Screw, Turntable Sleeve	64513
Spring (2)	119424	Lock Washer	73604-9
Washer	29521	15. Clamping Plate	64512
Retaining Ring	73724-12	16. Sleeve & Bushing Assy.	64520
Screw, 6-32 x 5/16", R. Hd. (4)	73568-23	17. Shim, Fiber	63732
4. Tube	119420	18. Shim, Steel	63731
Retaining Ring (2)	73724-25	19. Washer	56530
Spring Washer	73632-18	20. Flywheel	124943
5. Shaft, Turntable Pilot Clamp Levers	119413	21. Spring, Turntable Pilot	122114
6. Spring Washer	73632-18	22. Adjusting Plate	121338
7. Retaining Rings (2)	73724-25	23. Adjusting Nut	121337
8. Nut, 7/16-20	59470	24. Spring, Clamp Arm	119423
9. Turntable & Shaft Assy.	122779	25. Cup Washer	119414
10. Thrust Washer (2)	59864	26. Retaining Ring	73724-12

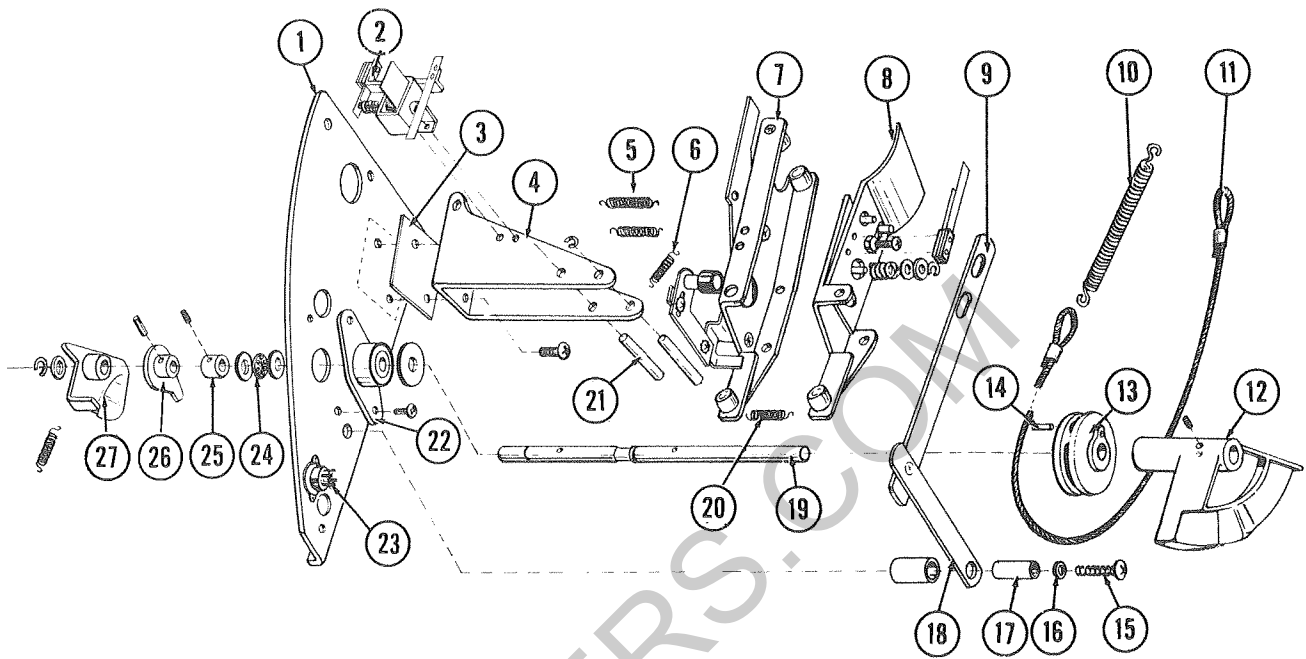


FIG. 47. MOUNTING PLATE AND SHAFT ASSEMBLY

1. Mounting Plate & Socket Assy.	114258	12. Cam, Record Clamp	119429
2. Solenoid Assy., Interlock	119826	Roll Pin	73782-51
Sleeve	126121	13. Pulley	59415
Switch Assy.	119784	Roll Pin	73782-49
Support Bracket & Spring Assy.	119793	14. Roll Pin	73782-34
Cap, 3 Circuit	117823	15. Screw, 8-32 x 1-1/2", R. Hd.	73574-96
Lamp	111816	16. Washer	53380
Contact Connectors, Lamp	121763	17. Bushing	124523
3. Shim (2)	119445	18. Crank & Hub Assy.	124497
4. Pivot Bracket	119433	19. Shaft	59393
5. Spring, Turntable Release Arm (2)	119426	20. Spring	59710
6. Spring	124525	21. Shaft (2)	59400
7. Turntable Release Arm Assy.	119441	Stud	124927
8. Cam Lever Assy., Turntable Pilot	119442	22. Plate & Bearing Assy.	59911
Spring, Cam Lever	119498	23. Socket, 4	69090
Cup Washer	119432	24. Ball Race	59679
Retaining Ring	73724-18	Washer (2)	59440
Screw, 8-32 x 5/8", R.Hd. Nylon	74288-25	25. Collar	119584
Cam Lever Switch	119845	26. Arm & Hub Assy., Tone Arm Release	59406
9. Link, Turntable Shift, L.H.	124492	Retaining Ring	73728-37
Link, Turntable Shift, R.H.	124493	Spring	59606
10. Spring, Turntable Cam	119425	27. Hub & Lever Assy., Tone Arm Release	59722
11. Cable & Sleeve Assy.	59871-A	Retaining Ring	73728-37
Sleeve	59891		



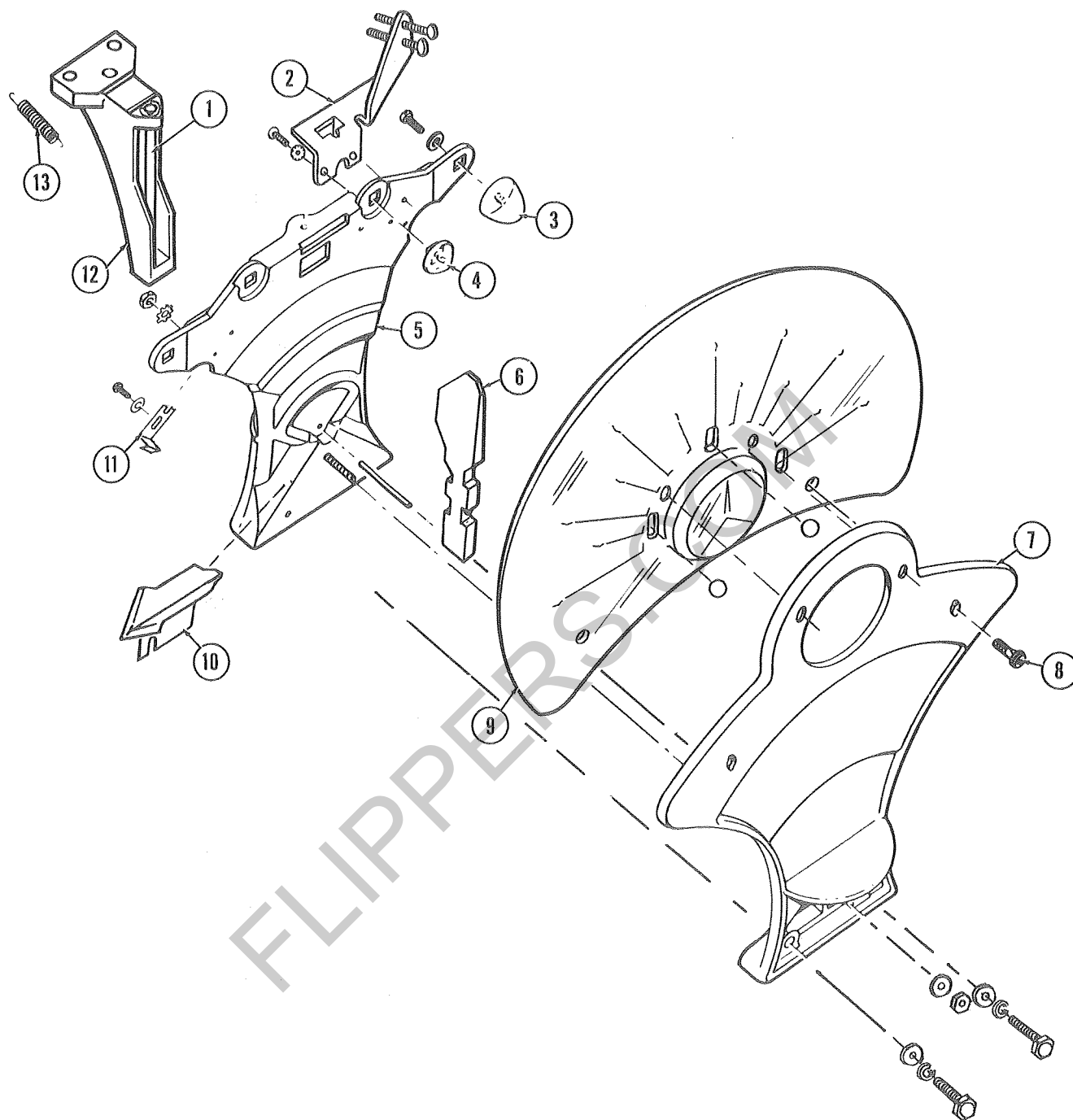


FIG. 48. RECORD GUIDE ASSEMBLY

1. Shaft, Record Guide Pivot	59869	8. Screw, 6-32 x 7/16", Truss Hd.,	
Retaining Ring (2)	73724-18	Type 23	74335-22
2. Bracket & Stop Nut Assembly	120445	9. Record Guide Plate	123943
Screw, 6-32 x 1", R.H.	73656-74	Plastic Bearing (3)	123944
Screw, 6-32 x 1-3/8", R.H.	73800	10. Record Guide & Bracket Assy., L.H.	68376
3. Bumper, Record Guide	117254	Record Guide & Bracket Assy., R.H.	68375
4. Bumper, Record Guide	59396	11. Stop Bracket (2)	122840
5. Casting, Rear	122436	Screw, 4-40 x 5/16", R.H.	73533-3
6. Track	59425	12. Pivot Casting, Record Guide	59892
Groove Pin	59546	Spring Pin, Pivot Casting	59908
7. Casting, Front	123942	13. Spring, Record Guide Retracting	59606

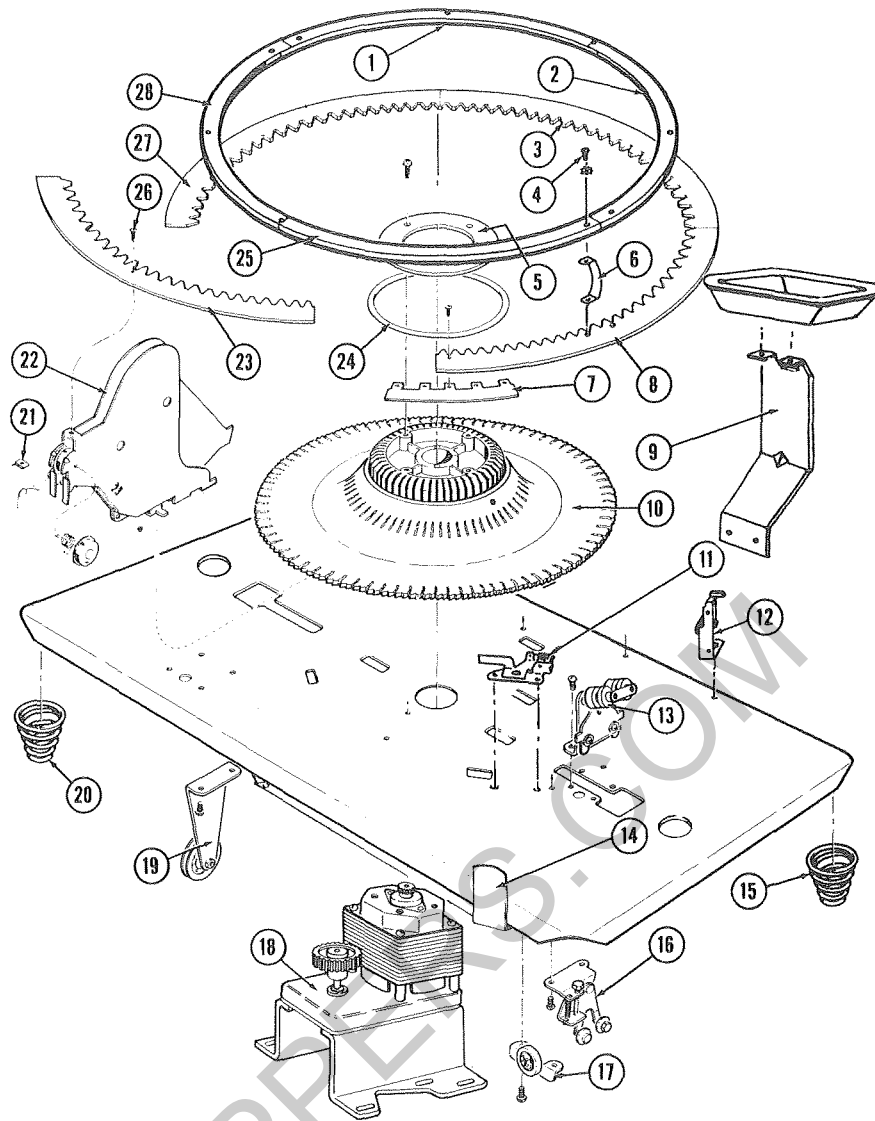


FIG. 49. RECORD CARRIER AND CHASSIS MOUNTING PLATE - 200

1. Segment, Record Indicator Ring, N5-H6	118183	14. Lever, Record Loading	131116
2. Segment, Record Indicator Ring, H5-C6	118184	15. Conical Spring, Chassis Mount, Red Dot	53774
3. Segment, Carrier Ring, L2-R1	114066	16. Bracket & Roller Assy., L.H. Bracket & Roller Assy., R.H.	65885 65886
4. Screw, 4-40 x 3/16", R.H.	73533-1	17. Bracket & Roller (3)	59844
5. Clamp, Record Holder	59734	18. Motor & Gear Gear, Pinion	132564 68717
6. Spacer (10)	118936	Mounting Bracket (2)	121982
7. Connecting Bracket	65548	Taper Pin	665
8. Segment, Carrier Ring, F2-L1	114064	19. Mounting Bracket & Idler Pulley	61574
9. Mounting Bracket, Record Indicator Panel	130821	20. Conical Spring, Chassis Mount, Yellow Dot	61059
Record Indicator Panel	132222	21. Nut	73637-10
Screw, 6-32 x 5/16", R. Hd	73533-23	22. Record Holder Assy.	65908
Washer	42120	23. Segment, Carrier Ring, A2-F1	114067
10. Casting, Record Holder	115684	24. "O" Ring, Rubber Gasket	119824
11. Back Stop Pawl (2) Spring	65890 59710	25. Segment, Record Indicator Ring, C5-T6	118185
12. Playmeter Reset Lever Spring	128817 59710	26. Screw, 4-40 x 3/8", R.H.	73503-25
13. Bracket & Roller Assy., Lift Arm Guide (2) Roller Stud, Eccentric	116837 116833 116831	27. Segment, Carrier Ring, R2-A1	114065
		28. Segment, Record Indicator Ring, T5-N6	118182

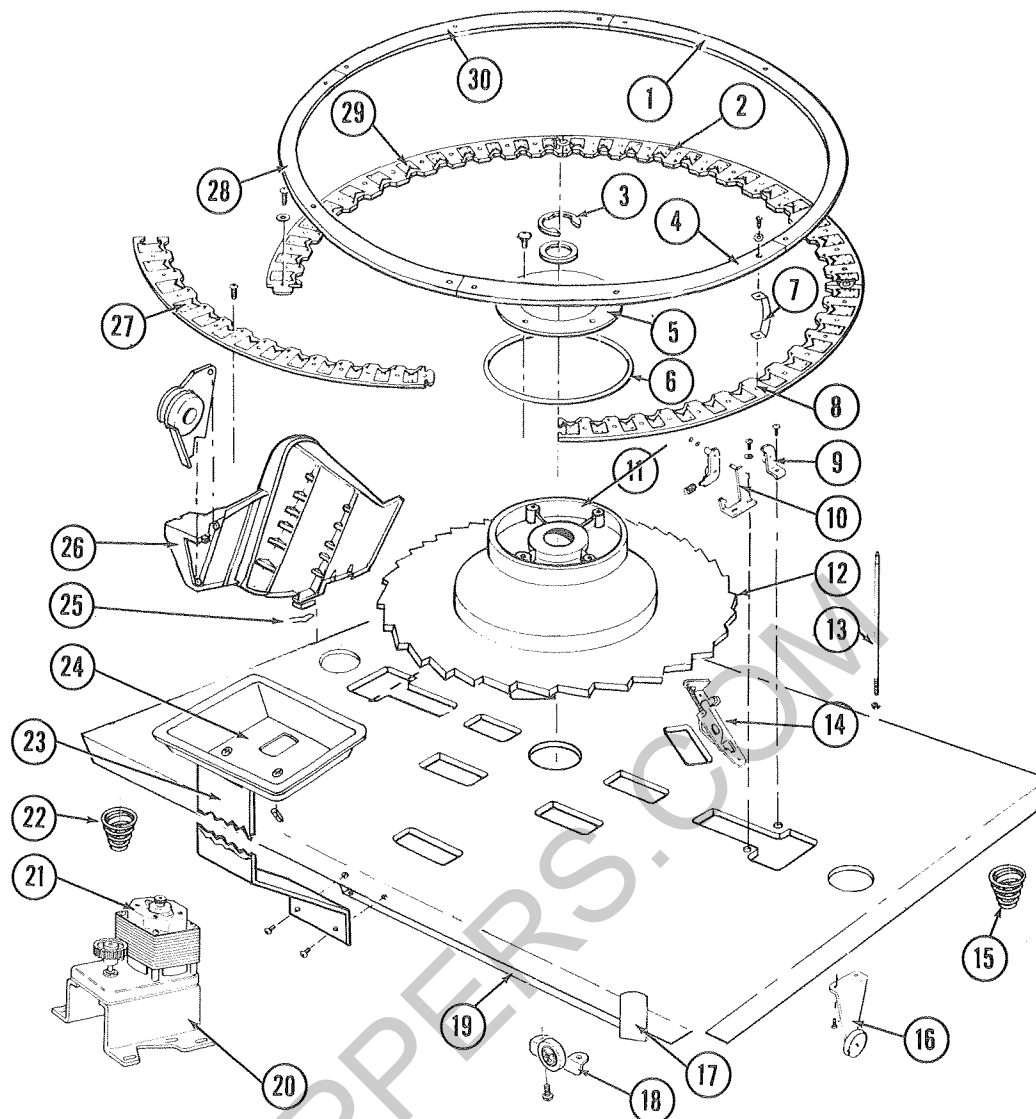


FIG. 50. RECORD CARRIER AND CHASSIS MOUNTING PLATE - 100

1. Segment, Record Indicator Ring, D7-G1	118199	17. Lever, Record Loading	131116
2. Segment, Carrier Ring, A1-C6	122074	18. Bracket & Roller (3)	122088
3. Retaining Ring	73724-87	19. Link, Loading Lever	131115
4. Segment, Record Indicator Ring, C4-J8	118202	20. Mounting Bracket (2)	121982
5. Clamp	59734	21. Motor & Gear	132565
6. "O" Ring	122083	Gear, Pinion	68717
7. Spacer (10)	122067	Taper Pin #4/0	665
Splice Plate, Carrier Ring	119574	22. Conical Spring, Chassis Mount, Front, Red Dot	53774
8. Segment, Carrier Ring, H7-K0	122077	23. Mounting Bracket, Record Indicator Panel	130821
9. Bracket & Roller Assy. (2)	59704	24. Record Indicator Panel	132222
10. Mounting Bracket & Roller Assy. (2)	60658	Screw, 6-32 x 5/16", R.H.	73533-23
Retaining Ring (2)	73724-15	Washer	42120
Spring (2)	60677	25. Spring, Retainer, Record Holder (50)	122082
11. Casting, Record Holder	122080	26. Record Holder Assy.	122071
12. Plate, Record Holder	122081	27. Segment, Carrier Ring, F1-H6	122075
13. Bracer Rod	60519	28. Segment, Record Indicator Ring, J7-B1	118200
14. Back Stop Pawl (2)	122084	29. Segment, Carrier Ring, C7-E0	122076
Bumper	54246	30. Segment, Record Indicator Ring, B4-D8	118201
15. Conical Spring, Chassis, Rear, Yellow Dot	61059		
16. Mounting Bracket & Idler Pulley	61574		

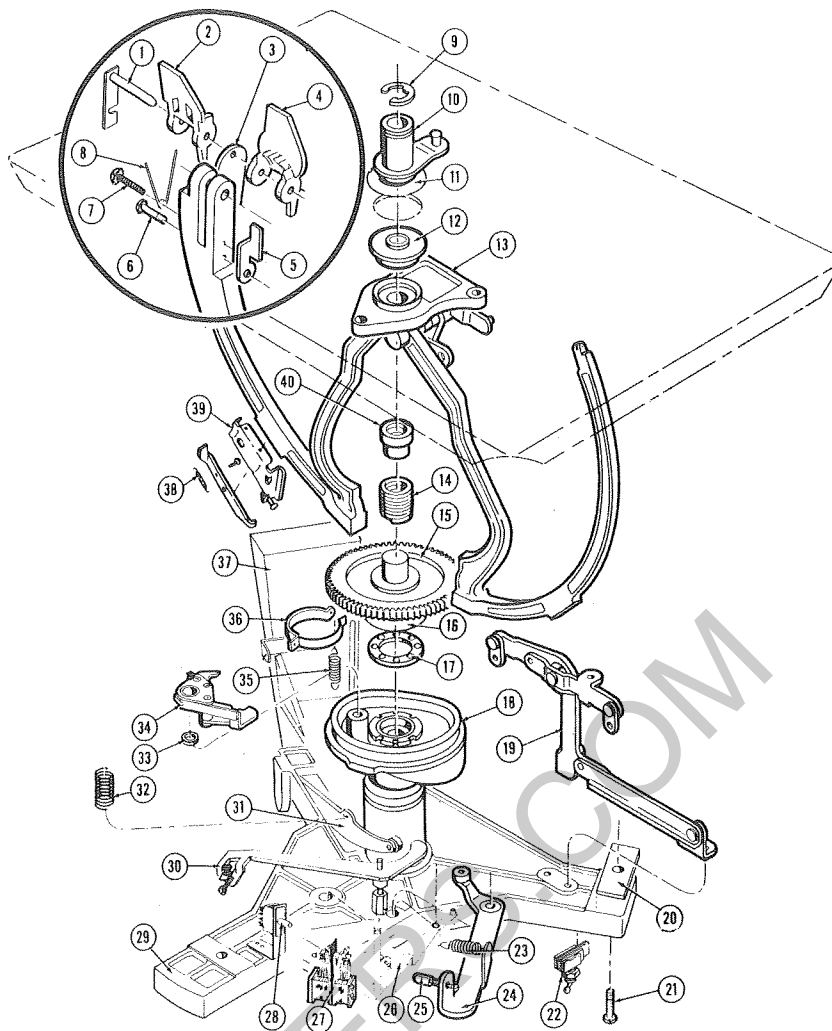


FIG. 51. RECORD CHANGER - 200

1. Plate & Pin	117252	22. Switch, Record Loading, S.P.S.T.	119785
2. Guide Tip, L.H.	65731	23. Spring, Mute & Play Switch Actuator	62773
3. Guide Plate	68290	24. Actuator Arm Assy., Play Switch	62761
4. Guide Tip, R.H.	65730	Screw, 4-40 x 1-1/4", R.H.	73574-33
5. Stop, Guide Tip	65526	25. Actuator, Nylon Tip	58255
6. Screw, 4-40 x 5/8", R.H.	73533-7	26. Actuator Arm, Transfer Switch	131324
7. Screw, 3-48 x 1/2", R.H.	73533-106	27. Mute & Play Switch & Bracket Assy.	124485
8. Spring	65812	Over-Center Spring	124485A
9. Retaining Ring	73724-87	28. Transfer Switch	131331
10. Arm & Rivet	115668	Mounting Bracket	131332
Roll Pin	73782-85	29. Chassis Frame & Plate Assy.	116023
11. Spacer, Yoke	52808	30. Lever Assy., Record Clamp	59688
12. Ball Bearing	130979	31. Cancel Lever	59513
13. Pivot Casting & Arm Assy.	113204	Cancel Casting	59631
Record Actuating Arm & Shaft		Spirol Pin	76702-133
Assy., L.H.	65881	Spirol Pin	76702-137
Assy., R.H.	65883	Spring, Cancel	110934
14. Spring, Drive Clutch	59584	32. Spring, Cancel Lever Return	65809
Washer, Felt (2)	59655	33. Washer	22946
Washer, Steel (2)	59647	34. Pawl	59537
15. Gear & Ratchet Wheel	116986	35. Spring, Strap & Spring Assy.	59612
16. Spacer	110077	36. Strap & Spring Assy., Friction	
17. Ball Race	59637	Drive Pawl	59626
Washer (2)	59641	37. Support Casting, R.H.	67928
Retaining Ring	73727-112	Support Casting, L.H.	67928
Oil Guard	66580	38. Spring, Play Meter Actuating Arm	59894
18. Main Cam & Bushing	62792	39. Bracket & Lever	129594
19. Link & Lever Assy., Record Arm	59599	Stop Bracket	129596
20. Tapping Plate (2)	68521	40. Hub, Selector Drive Clutch	118254
21. Screw 1/4-20 x 1-1/4", Hex. Hd.	73793-151	Roll Pin	73782-88

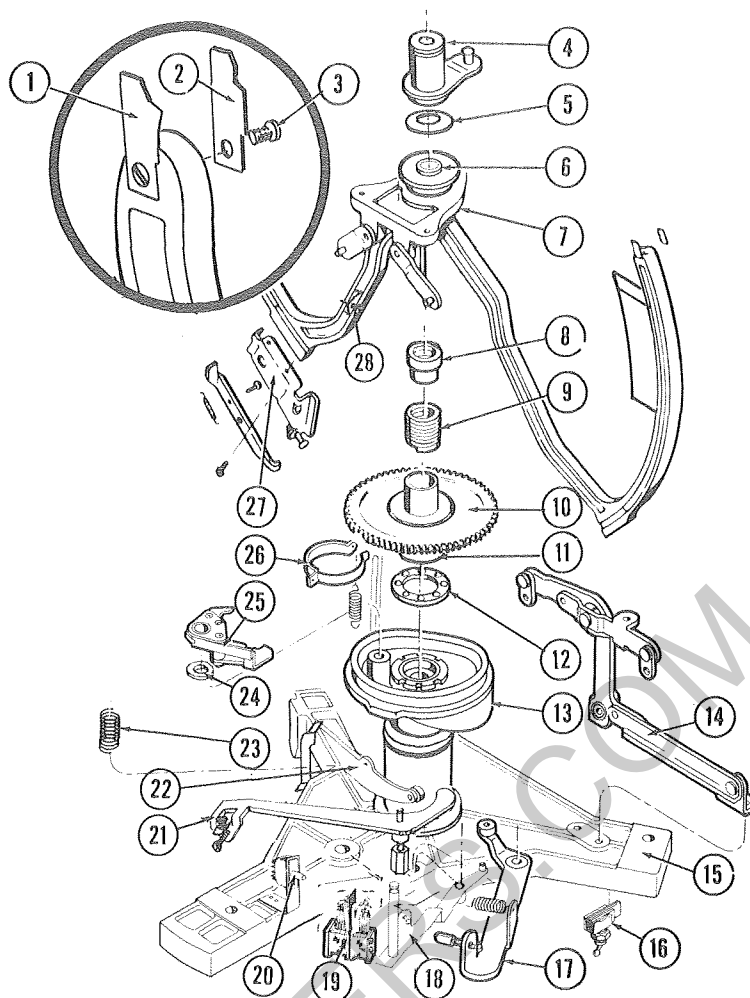


FIG. 52. RECORD CHANGER - 100

1. Guide Tip, Left Hand (2)	60711	16. Toggle Switch, Record Loading	119785
2. Guide Tip, Right Hand (2)	61484	17. Actuator Arm Assy., Mute & Play	
3. Screw, 2-56 x 3/16", F. Hd.	73586-2	Spring	62773
Lock Washer, #2, Countersunk	73606-1	Nylon Tip, Actuator	58255
4. Arm & Rivet	121924	18. Actuator Arm, Transfer Switch	131324
5. Spacer, Yoke	52808	19. Mute & Play Switch & Bracket Assy.	124485
6. Ball Bearing	130979	Over-Center Spring	124485A
7. Pivot Casting & Arm Assy.	122093	Washer, Nylon	124485B
Record Actuating Arm &		20. Transfer Switch	131331
Shaft Assy., L.H.	122094	Mounting Bracket	131332
Record Actuating Arm &		21. Lever Assy., Record Clamp	59688
Shaft Assy., R.H.	122095	22. Cancel Lever	59513
8. Hub, Selector Drive Clutch	118254	Cancel Casting	59631
Roll Pin	73782-88	Spirol Pin	76702-133
9. Spring, Drive Clutch	59584	Spirol Pin	76702-137
Felt, Washer (2)	59655	23. Spring, Return, Cancel Lever	65809
Washer (2)	59647	Spring, Cancel	110934
10. Gear & Ratchet Wheel	116986	Screw, 10-32 x 1-3/4", Hex	73793-125
11. Spacer	110077	24. Washer	22946
12. Ball Race	59637	25. Pawl	59537
Washer (2)	59641	26. Strap & Spring Assy.	59626
Retaining Ring	73727-112	Spring	59612
Oil Guard	66580	27. Bracket & Lever	129594
13. Main Cam & Bushing	62792	Lever	65805
14. Link & Lever Assy., Record Arm	59599	Spring	59894
15. Chassis Frame & Plate Assy.	115856	28. Stop Bracket	129596

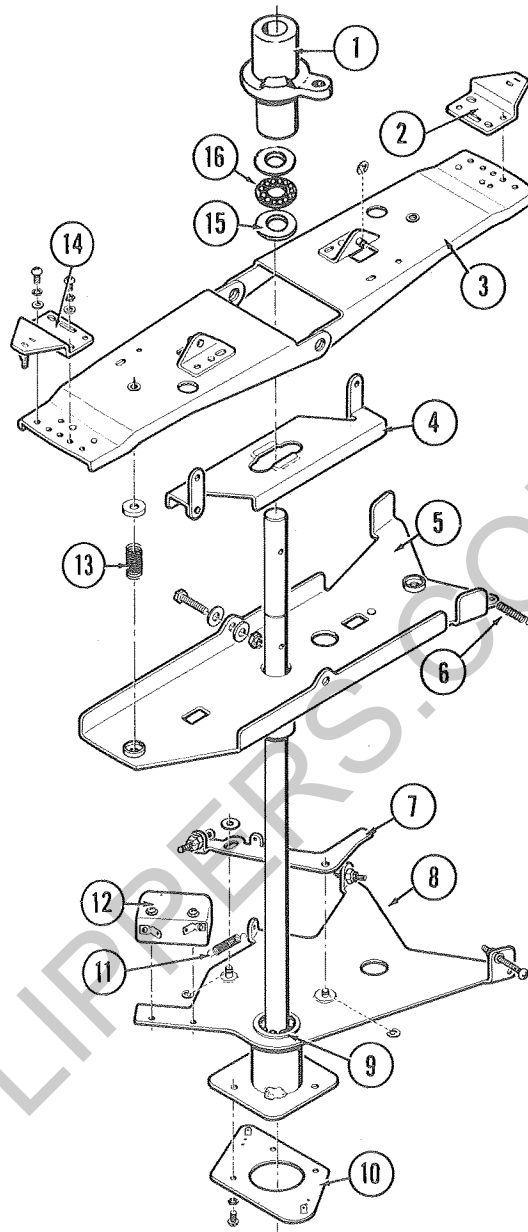


FIG. 53. SELECTOR CRANK AND SHAFT ASSEMBLY

	200	100		200	100
1. Sleeve & Bushing Assy.	68483	115772	Retaining Ring (2)	73724-18	73724-18
2. Tip & Mounting Bracket Assy., Inner	110936	116733	8. Selector Shaft Assy.	115669	121923
3. Selector Crank & Stop Nut Assy. (2)	110944	115770	9. Ball Bearing (22)	25358	25358
4. Actuator Arm & Link Assy. Retaining Ring (2)	110939	115767	10. Contact Plate Assy.	68582	68582
5. Mounting Plate & Bushing Assy.	124119	124116	11. Spring, Switch Actuator	68774	68774
6. Spring, Kickoff	68774	110480	12. Switch	60655	60655
7. Switch Lever & Stop Nut Assy.	110937	115765	13. Spring (2)	65809	65809
			14. Tip & Mounting Bracket Assy., Outer	110930	116732
			15. Thrust Washer (2)	122630	122630
			16. Ball Race	122631	122631

# CABINET



3300 PHONOGRAPH

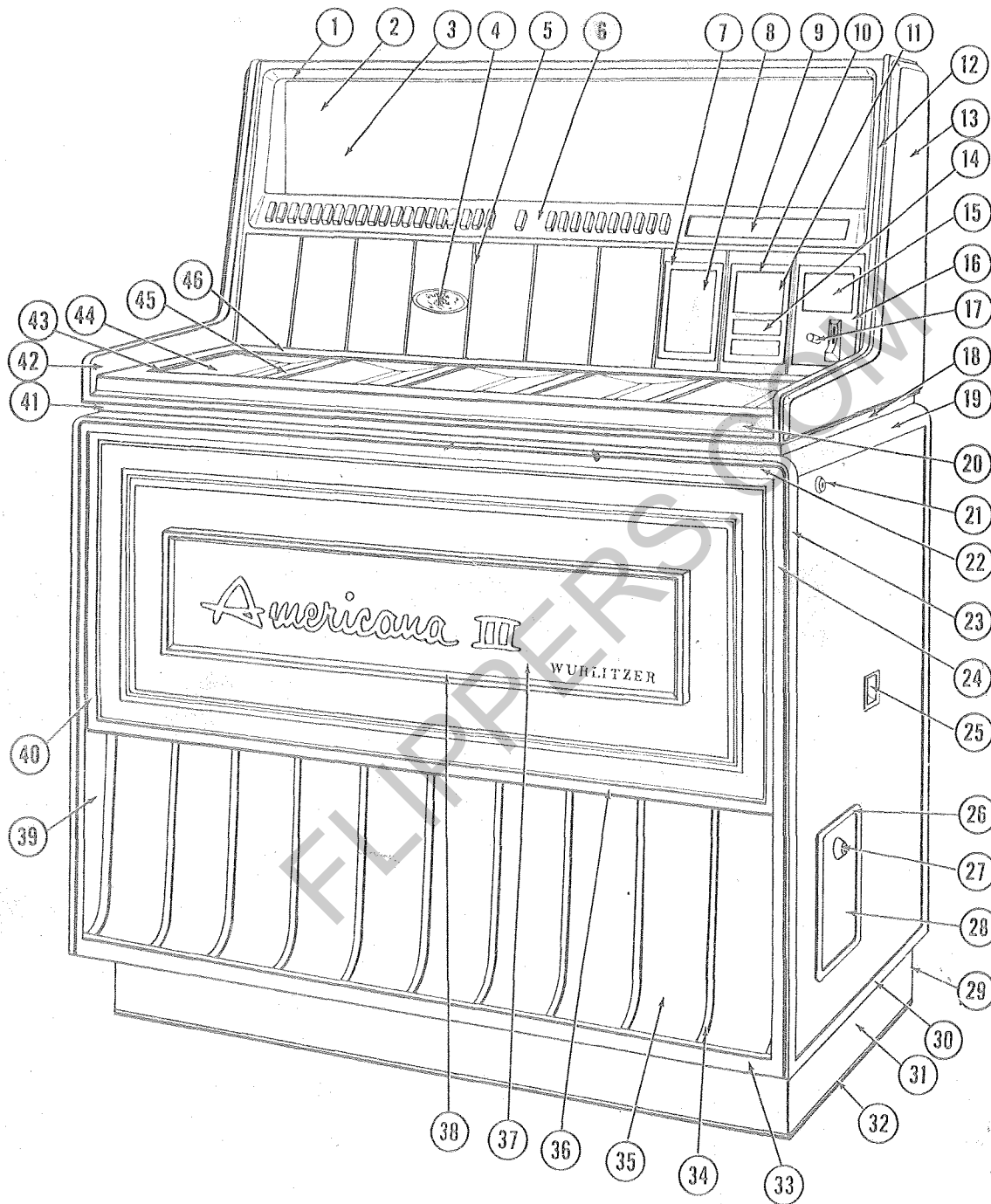




 FIG. 1. TRIM AND MOUNTING - FRONT VIEW - 3300 SERIES

1.	Extrusion, Upper Door	132003	20.	Extrusion, Door Frame, Front	132076
2.	Glass, Display	132033		Glass Clamp	131985
	Tape, 9/16"	121999	21.	Lock, RW-100	128770
3.	Display, Miami Skyline	132496		Pin & Lock Lever	127143
	Display, Manhattan Skyline, Technamation	132676		Key, RW-100	128771
4.	Medallion	131808	22.	Extrusion, Wurlitzer Panel, Top	132068
5.	Grille Screen, Upper	132041	23.	Extrusion, Outer Frame	132448
6.	Extrusion, Selector Panel	3300 132022	24.	Extrusion & Trim Strip, R.H.	132199
	Extrusion, Selector Panel	3310 132023	25.	Coin Return Cup	68192
	Mounting Bracket	132224		Coin Return Chute	132932
7.	Casting, Instruction Panel	131987	26.	Frame, Cash Box Door	132163
	Clamp, Upper	132271	27.	Lock & Key Assy.	118412
	Clamp, Lower	132005	28.	Cash Box Door	132165
	Window Clamp Frame	132275		Guard	113270
	Casting, Instruction Panel, Top Tunes	131984		Coin Bag	132148
8.	Escutcheon Plate (Instruments)	132463	29.	Retainer, Vinyl Overlay, R.H.	132139
	Instruction Label, L.P.	132534		Retainer, Vinyl Overlay, L.H.	132138
	Window Blank (2)	132106	30.	Extrusion, Bottom (3)	132021
	Instruction Label, T.T.	3300 132306	31.	Vinyl Overlay, Base	132184
	Instruction Label, T.T.	3310 132535	32.	Moulding, Base	132008
	Window Blank (2)	132110	33.	Extrusion, Lower Grille	132063
9.	Display Sign, Stereo Sound	132533	34.	Moulding, Grille (9)	132120
	Glass	132044		Stud, 1-7/32" (18)	132119
	Tape, 7/16"	126815		Stud, 13/16" (9)	132201
	Color Shield	132554		Palnut (27)	76720-1
10.	Casting, Select Panel	132058	35.	Grille Screen (5)	132118
	Clamp, Upper	132271		Polyurethane Backing, Grille Screen	132126
	Clamp, Lower	132005	36.	Extrusion, Panel, Lower	132125
11.	Coin Denomination & Select Label, Standard	132305	37.	Glass & Inner Frame Assy.	132417
	Coin Denomination & Select Label, T.T.	132467	38.	Extrusion & Tape Assy., Inner Frame	132419
	Coin Denomination & Select Label, L.P.	132468		Screw, 8 x 1/2", R. Hd., Type A (4)	73592-20
	Coin Denomination & Select Label, T.T. -			Rubber Washer (4)	132716
	& L.P.	132307		Washer (4)	132715
	Window Blank (2)	132106		Spacer (4)	132714
12.	Upper Door Casting, R.H.	131993	39.	Extrusion & Trim Strip, L.H.	132200
13.	Vinyl Clad Insert, R.H.	132227	40.	Extrusion, Side (2)	132067
	Palnut (8)	76656-1	41.	Front Guard	132254
14.	Light Box & Partition	132100	42.	Upper Door Casting, L.H.	131992
	Socket (2)	132537		Vinyl Clad Insert, L.H.	132226
	Lamp, GE-12 (2)	111816		Palnut (8)	76656-1
	Thumb Screw (2)	132113	43.	Separator, L.H., Al-CO	3300 128890
15.	Instruction Label, Coin Entry	132464		Separator, R.H., T1-VO	3300 128895
	Window Blank (2)	132091		Separator, L.H., A1-AO	3310 131462
	Window Clamp, Upper	132097		Separator, R.H., K1-KO	3310 131457
	Window Clamp, Lower	132096	44.	Glass, Door	132039
16.	Casting, Coin Entry	131937		Tape, 9/16"	121999
	Clamp, Upper	132271	45.	Separator, Bl-GO	3300 128891
	Clamp, Lower	132005		Separator, Fl-LO	3300 128892
17.	Reject Button	132204		Separator, K1-QO	3300 128893
	Rubber Washer	132560		Separator, Pl-UO	3300 128894
	Washer	65778		Separator, Bl-CO	3310 131458
	Retaining Ring	73724-31		Separator, D1-EO	3310 131459
18.	Trim Strip, R.H.	132078		Separator, Fl-GO	3310 131460
	Trim Strip, L.H.	132079		Separator, H1-JO	3310 131461
19.	Extrusion, Upper Side, R.H.	132017	46.	Extrusion, Door Frame, Rear	131990
	Extrusion, Upper Side, L.H.	132018			

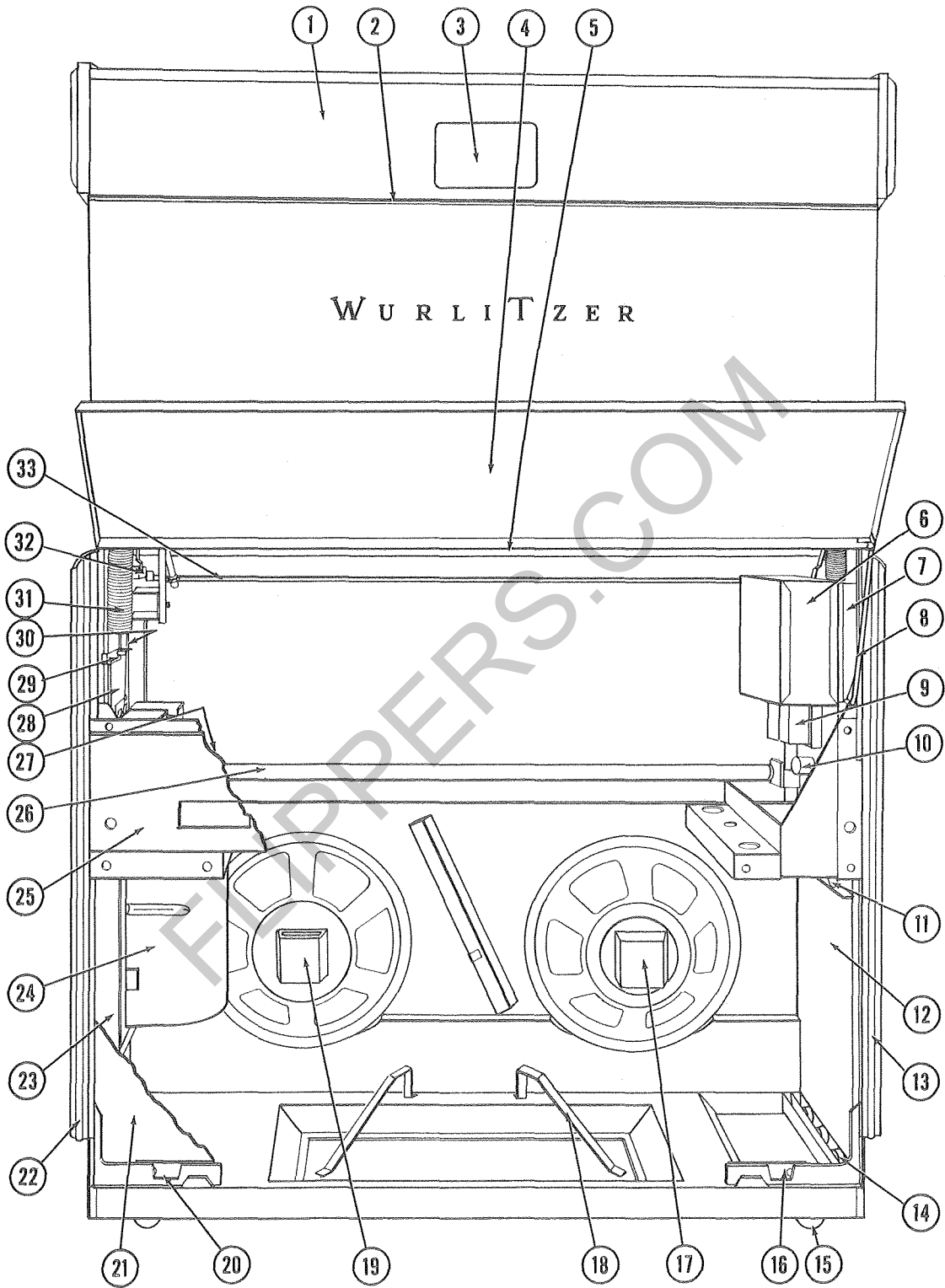



 FIG. 2. TRIM AND MOUNTING - BACK VIEW - 3300 SERIES

1.	Top Plate	132056	21.	Door, Lower Back	132028
2.	Hinge	130816	22.	Extrusion, Rub Rail, R.H.	132019
3.	Retainer, Service Card Holder	129304	23.	Mounting Plate & Bracket - 3300	132354
	Window, Plastic	129303	24.	Coin Bag Housing	132036
	Back-Up Plate	129511		Coin Bag Housing, Short, Export	132037
	Wing Nut	76623-1	25.	Back Rail Assy.	132087
4.	Door, Upper Rear	132085		Lock Strike & Lever	131027
	Hinge	129045		Lock, RW-100	128788
5.	Light Diffuser, Lower Grille	132141		Key, RW-100	128771
6.	Box, Coin Mechanism	131151		Latch & Pin (4)	131028
	Grommet (3)	49884		Screw, 10-32 x 1/2", Hex Hd.	71492-50
7.	Bracket, Coin Mechanism Box	131095	26.	Fluorescent Lamp, 30 Watt, -	
8.	Fall Support, Upper Door	130969		Daylight, 36"	128781
9.	Ballast (2)	129702		Socket, Lamp	131168
10.	Starter, FS-4	113558	27.	Clamp, Selector Switch Cable	76807-6
	Socket, Starter	53674		Spring, Selector Switch Cable Clamp	132633
11.	Stop Lever	131405	28.	Guide Assy., Fall Support, R.H.	132314
	Spring	129282		Guide Assy., Fall Support, L.H.	132315
12.	Mounting Plate & Guide Bracket	132427	29.	Fall Support & Pin (2)	132345
13.	Extrusion, Rub Rail, L.H.	132020	30.	Spring, Fall Support Stop (2)	123520
14.	Bracket & Roller	129079	31.	Spring, Fall Support Return (2)	132213
15.	Caster (4)	128780	32.	Bracket & Plate Assy., Lock Lever, -	
16.	Cable Retainer, R.H.	132011		R.H.	132423
	Wing Nut	76623-2		Bracket & Plate Assy., Lock-	
17.	Speaker, 12", 8 ohm, Red Dot	127612		Lever, L.H.	126356
18.	Guide, Electric Selector (2)	132295	33.	Lock Lever & Shaft	128920
19.	Speaker, 12", 16 ohm, Yellow Dot	120777		Spring	119426
20.	Cable Retainer, L.H.	132010			
	Wing Nut	76623-2			

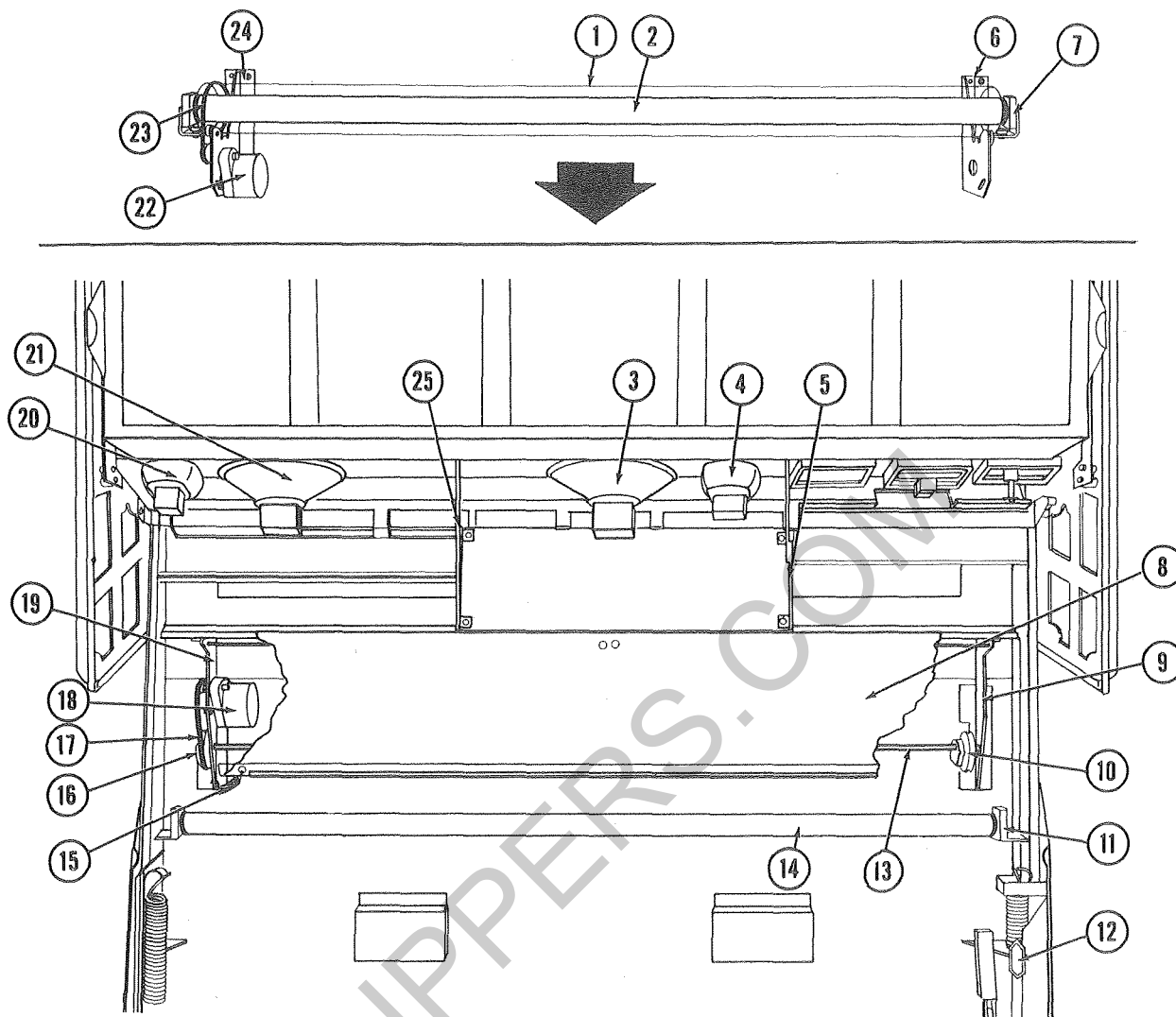


FIG. 3. TRIM AND MOUNTING - FRONT INTERIOR - 3300 SERIES

1.	Cylinder, Technamation	132692	17.	"0" Ring	132499
2.	Fluorescent Lamp, 30 Watt, - Daylight, 36"	128781	18.	Motor, Display Sign, 5 R.P.M. Pulley	132549 132228
3.	Speaker, 6", R.H.	129305		Set Screw, 6-32 x 1/4"	73513-20
4.	Speaker, 3 x 5", R.H.	131425	19.	Mounting Bracket, Display Motor	132166
5.	Bracket, Selector Switch, R.H.	132122		Bearing, Snap In	76633-5
6.	Mounting Bracket & Roller, - Technamation, R.H.	132691	20.	Speaker, 3 x 5", L.H.	131425
7.	Socket, Lamp	131168		Resistor, 15 ohm, 1/2 Watt	72148-32
8.	Light Diffuser	132502		Capacitor, .56 Mfd., 100V.	74796-11
9.	Mounting Bracket	132166	21.	Speaker, 6", L.H.	129517
10.	Cam, Light Diffuser	132191		Capacitor, 4 Mfd., 25V. - Non-Polarized	74981
	Roll Pin	73782-31	22.	Motor, Technamation, 60 R.P.M. Pulley	132770 132689
11.	Socket, Lamp	131168		Set Screw, 6-32 x 1/4"	73513-20
12.	Coin Entry Chute	132567	23.	"0" Ring, Technamation	132677
13.	Shaft, Light Diffuser	132572	24.	Mounting Bracket & Roller, - Technamation, L.H.	132690
14.	Fluorescent Lamp, 30 Watt, - Daylight, 36"	128781	25.	Bracket, Selector Switch, L.H.	132123
15.	Spring, Light Diffuser (2)	132509			
16.	Cam, Light Diffuser	132191			
	Roll Pin	73782-31			

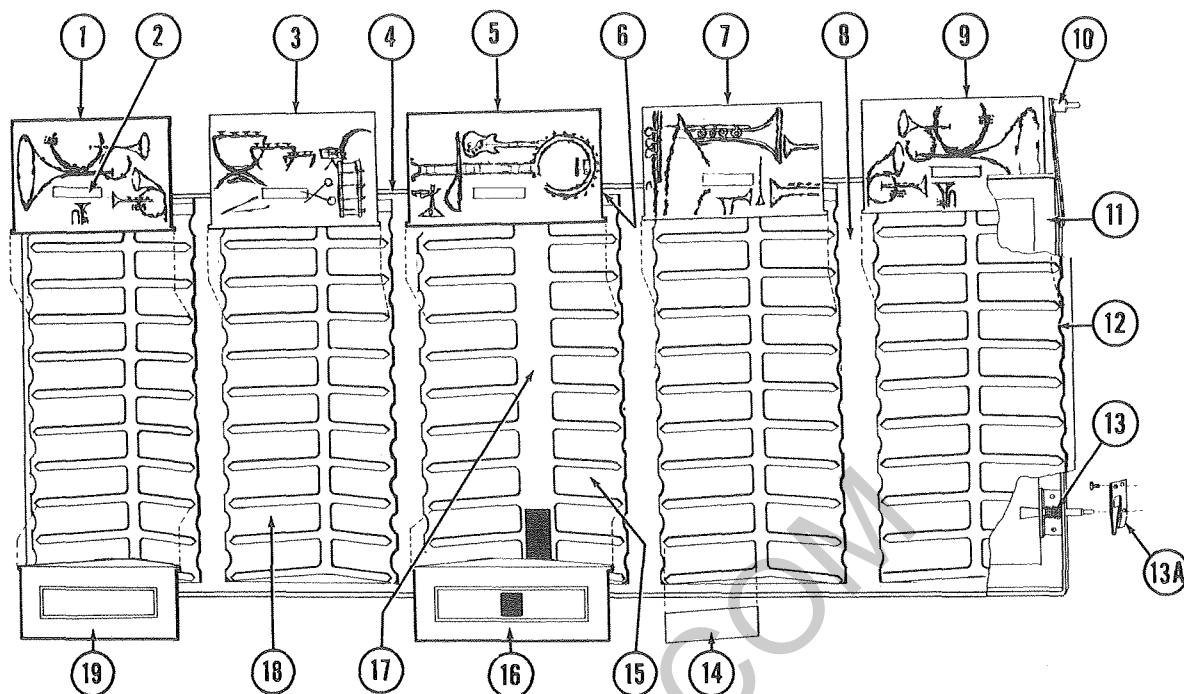
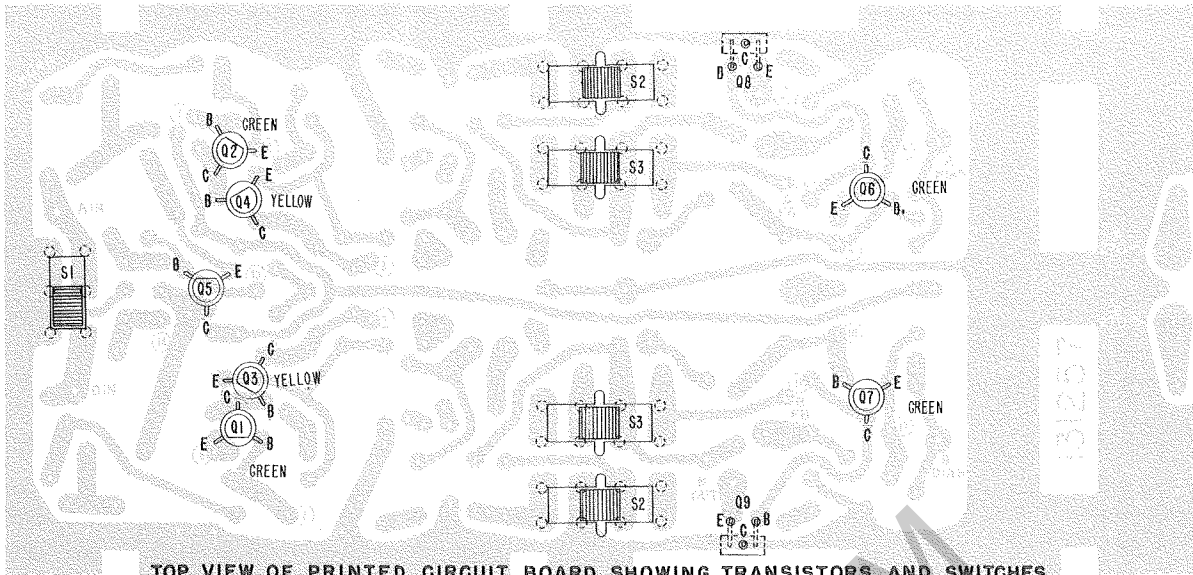


FIG. 4. PROGRAM HOLDER

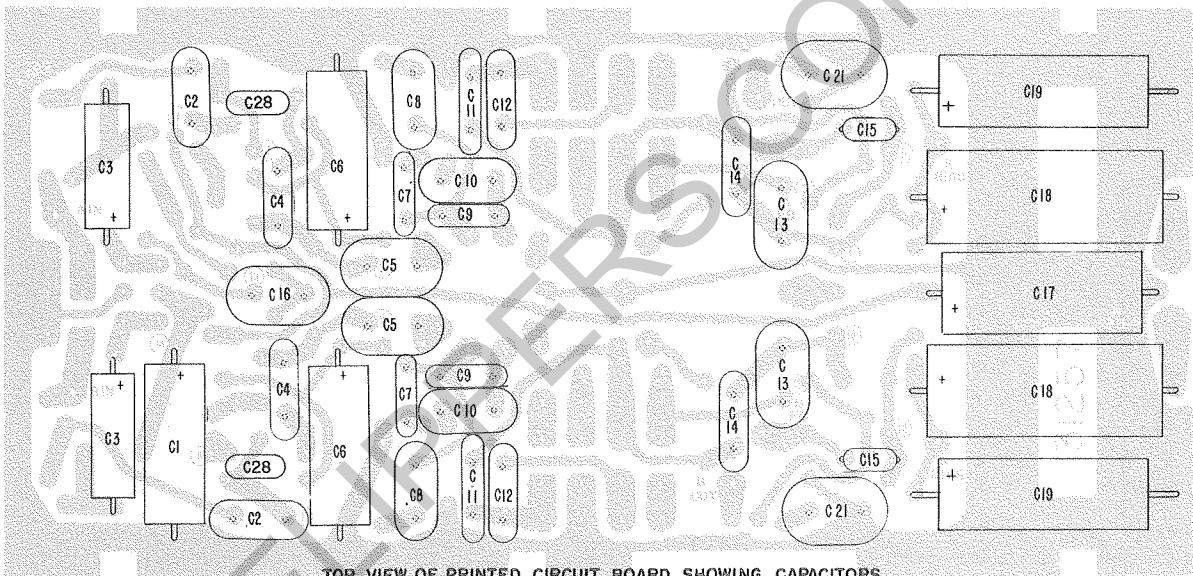
	3300	3310		3300	3310
1. Insert, Upper		132517	12. Program Holder,		
2. Classification Slips		131281	Sides (4)	128804	128804
3. Insert, Upper		132516	13. Slide & Catch Assy.	129160	129160
4. Light Shield, Rear	129119	129119	Slide Catch	128849	128849
5. Insert, Upper		132515	Spring	122427	122427
6. Mounting Bracket,			Retaining Ring	73724-15	73724-15
Classification Slip (5)	131447		13A. Lock Catch, Door, R. H.	127152	127152
Classification Slips	131441	132518	Lock Catch, Door,		
7. Insert, Upper		132289	L. H.	127153	127153
8. Extrusion, A1-CO	125451		14. Cover, Program Strip,		
Extrusion, B1-GO	125452		Yellow	124263	124263
Extrusion, F1-LO	125453		15. Program Holder, Center	128805	128805
Extrusion, K1-QO	125454		16. Insert, Lower, Center		132513
Extrusion, P1-UO	125455		17. Insert, Program Holder,		
Extrusion, T1-VO	125456		Top Tune	132647	131752
Extrusion, A1-AO		125457	Insert, Program Holder,		
Extrusion, B1-CO		125458	Record Playing	131409	
Extrusion, D1-EO		125459	18. Title Strip, Double	62604	62604
Extrusion, F1-GO		125460	19. Insert, Lower, Sides		132512
Extrusion, H1-JO		125461			
Extrusion, K1-KO		125462			
9. Insert, Upper		132514			
10. Hinge Pin	132256	132256			
11. Extrusion Assy.,	128952	128952			
Program Holder					
			13A is Mounted on		
			Door Casting		

## WIRING DIAGRAM COLOR CODE

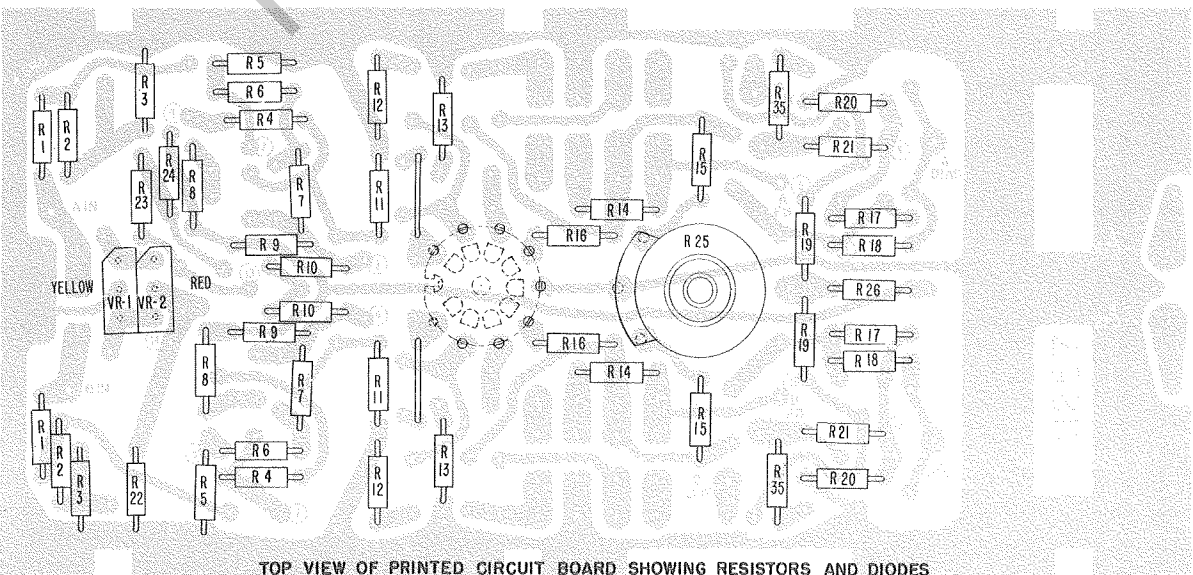
100	200	SOLID COLOR WIRE	TRACER	100-200	SOLID COLOR WIRE	TRACER
A1	A	Tan	Brown	39	White	None
A6	B	Red	Brown	40-140	Black	None
B1	C	Orange	Brown	41	Brown	Yellow
B6	D	Yellow	Brown	42	Red	Yellow
C1	E	Lt. Green	Brown	43	Orange	Yellow
C6	F	Lt. Blue	Brown	44	Tan	Yellow
D1	G	Purple	Brown	45	Dr. Green	Yellow
D6	H	Gray	Brown	46	Dr. Blue	Yellow
E1	J	White	Brown	47-147	Purple	Yellow
E6	K	Pink	Brown	48	Gray	Yellow
F1	L	Brown	Black	49	White	Yellow
F6	M	Red	Black	50	Black	Yellow
G1	N	Orange	Black	51	Brown	Green
G6	P	Yellow	Black	52	Red	Green
H1	Q	Lt. Green	Black	53	Orange	Green
H6	R	Lt. Blue	Black	54	Yellow	Green
J1	S	Purple	Black	55	Tan	Green
J6	T	Gray	Black	56	Lt. Blue	Green
K1	U	White	Black	57	Purple	Green
K6	V	Tan	Black	58	Gray	Green
				59	White	Green
1	1-91	Brown	Orange	60	Black	Green
2	2	Red	Orange	61	Brown	Blue
	3	Tan	Orange	62	Red	Blue
4	4	Yellow	Orange	63	Orange	Blue
5	5	Lt. Green	Orange	64-164	Yellow	Blue
	6	Lt. Blue	Orange	65	Lt. Green	Blue
	7	Purple	Orange	66	Tan	Blue
	8	Gray	Orange	67-167	Pink	Blue
	9	White	Orange	68	Gray	Blue
	0-110	Black	Orange	69	White	Blue
				70	Black	Blue
100-200				71	Brown	Purple
	19	White	Purple	72	Red	Purple
	21	Brown	Red	73	Orange	Purple
	22	Tan	Red	74	Yellow	Purple
	23	Orange	Red	75-175	Lt. Green	Purple
	24	Yellow	Red	76	Lt. Blue	Purple
	25	Lt. Green	Red	77-177	Tan	Purple
	26	Lt. Blue	Red	78	Gray	Purple
	27	Purple	Red	79-179	White	Purple
	28	Gray	Red	80	Black	Purple
	29	White	Red	81	Brown	White
	30-130	Black	Red	82	Red	White
	31	Tan	None	83	Orange	White
	32	Red	None	84	Yellow	White
	33	Orange	None	85	Lt. Green	White
	34	Yellow	None	86	Lt. Blue	White
	35	Dr. Green	None	87	Purple	White
	36	Dr. Blue	None	88	Gray	White
	37	Purple	None	89	Tan	White
	38	Gray	None	90	Black	White



TOP VIEW OF PRINTED CIRCUIT BOARD SHOWING TRANSISTORS AND SWITCHES



TOP VIEW OF PRINTED CIRCUIT BOARD SHOWING CAPACITORS



TOP VIEW OF PRINTED CIRCUIT BOARD SHOWING RESISTORS AND DIODES

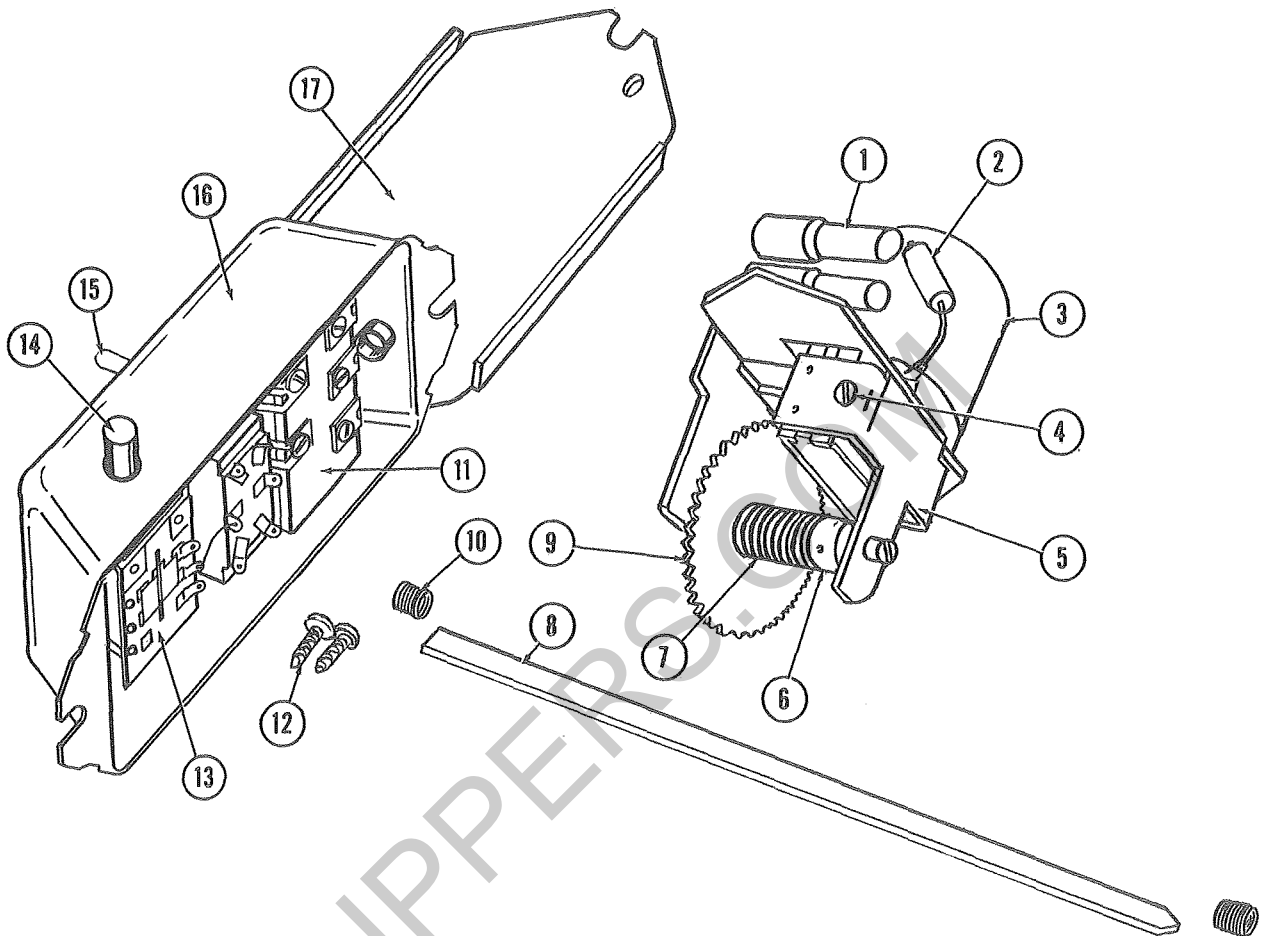


FIG. 2. 169-A REMOTE VOLUME CONTROL

1. Choke (2)	121291	9. Gear	120866
Cable Clamp	74264-5	10. Spring Connector (2)	120863
2. Resistor, 47 ohm, 1/2W. (2)	72160-32	11. Terminal Board & Lug Assy.	121235
3. Motor, Mtg. Brkt. & Wire Assy.	121006	12. Mounting Screw, 1/2"-8, R.H., Type A	73592-20
4. Mounting Screw, 6-32 x 1/4", Hex, Type 23 (2)	73776-22	13. Switch, Cancel	120708
5. Mounting Bracket Assy.	120872	14. Push Button Knob	120988
6. Spring Retainer Roll Pin (2)	120871 73782-6	15. Switch, Loudness Control	130500
7. Spring	120998	16. Control Case Assy., Complete Case	130495 127864
8. Connector Link	120862	17. Bottom Cover	121460



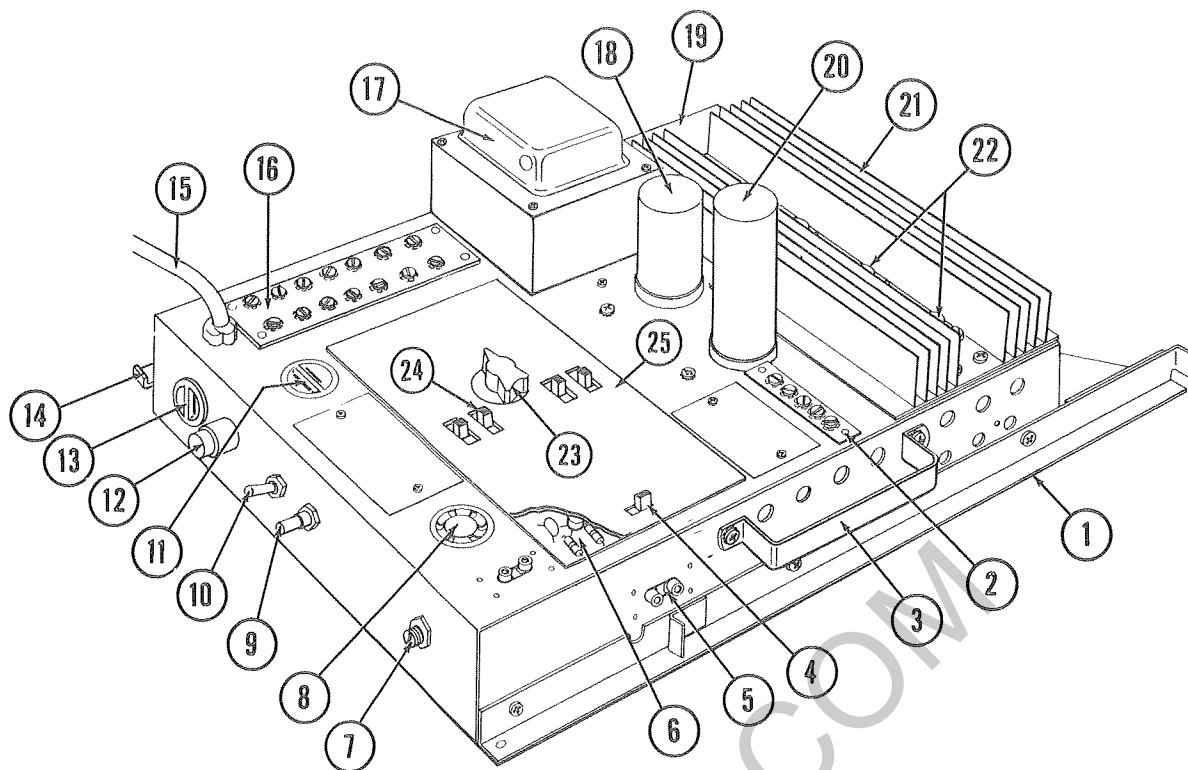


FIG. 3. MODEL 549 AMPLIFIER

1. Amplifier Guide, Top	128970	8. Socket, 6 Pin	32881
2. Terminal Strip	115492	9. Cancel Switch	68770
3. Handle	126012	10. Switch, Line	121301
4. Switch	125709	11. Socket, 2 Pole, 110V.	13037
5. Receptacle, Input	113420	12. Fuse Post	126858
6. Printed Board, Complete	132458	Fuse, 15 Amp.	71590-48
Relay, RY-5 Red Dot	129547	13. Socket, 2 Pole, 110V.	13037
Resistor, 50 ohm, 5W.	74818-2	14. Amplifier Guide, Bottom	132459
Fuse Block	125695	15. Line Cord	121979
Label	131254	Strain Relief	71878-14
Rectifier (4)	71588-21	16. Terminal Strip	125616
Transformer, Audio	131304	17. Transformer, Power	131303
Transformer, Driver	126502	18. Capacitor, Electrolytic	76621
Transistor, Driver (2) Q8, Q9	131711	19. Socket, 11 Pin	38492
Transistor, Q5	131262	20. Capacitor, Electrolytic	76620
Transistor, (2) Q1, Q2 Green		21. Heat Sink and Socket Assy.	131264
Dot	130537-5	Heat Sink	131265
Transistor, (2) Q3, Q4 Yellow		Socket (4)	125693
Dot	130537-4	22. Transistor, P.A.	
Transistor, (2) Q6, Q7, Green Dot	131711	Q10, Q11, Q12, Q13, Red,	
Optional	130537-5	Orange, Yellow, Green, or Blue	
Barretters (2)	125989	(Specify Color)	125703
Clamp (2)	76266	Insulator (2)	650446
Capacitor (2) (1200 Mfd.)	76263	23. Knob	125720
Optional	76622	24. Switch (4)	125708
Fuse, 8 Amp.	71590-33	25. Cover & Silk Screen Assy.	131266
3 Amp.	71590-22		
7. Loudness Control Assy.	131255		
Loudness Control	125700		
Plug, 9 Pin, Miniature	125702		

## BILL OF MATERIALS 549 AMPLIFIER

ITEM	PART NO.	VALUE	REMARKS ±		ITEM	PART NO.	VALUE	REMARKS
R-1	72246-32	180K	1/2 W.	10%	C-14	76167-11	.0068 MFD	100V.
R-2	72210-32	5.6K	1/2 W.	10%	C-15	76419-341	.00047 MFD	DISC
R-3	72240-32	100K	1/2 W.	10%	C-16	76203-17S	.22 MFD	75V.
R-4	72246-32	180K	1/2 W.	10%	C-16 OPT	76333-321	.22 MFD	100V.
R-5	72192-32	1K	1/2 W.	10%	C-17	76501-6	100 MFD	25V.
R-6	72226-31	27K	1/2 W.	5%	C-17 OPT	74432-136	100 MFD	25V.
R-7	72262-31	820K	1/2 W.	5%	C-18	76264	500 MFD	15V.
R-8	72232-32	47K	1/2 W.	10%	C-19	76806	150 MFD	35V.
R-9	72211-31	6.2K	1/2 W.	5%	C-20	76263	1200 MFD	35V.
R-10	72232-32	47K	1/2 W.	10%	C-20 OPT	76622	1200 MFD	35V.
R-11	72189-31	750 OHM	1/2 W.	5%	C-21	76207-27S	.33 MFD	75V.
R-12	72199-31	2K	1/2 W.	5%	C-22			
R-13	72205-31	3.6K	1/2 W.	5%	C-23	76620	3000 MFD	50V.
R-14	72224-32	22K	1/2 W.	10%	C-24	76621	2000 MFD	50V.
R-15	72212-32	6.8K	1/2 W.	10%	C-25	74321-14	.1 MFD	400V.
R-16	72232-32	47K	1/2 W.	10%	C-25 OPT	71541-14	.1 MFD	400V.
R-17	72235-31	62K	1/2 W.	5%	C-26	74567-27	.033 MFD	1000V.
R-18	72207-31	4.3K	1/2 W.	5%	C-27	74581-22	.47 MFD	200V.
R-19	72212-32	6.8K	1/2 W.	10%	C-28	76435-141	100 MFD	DISC
R-20	72150-31	18 OHM	1/2 W.	5%	S-1	125709	D.P.D.T. MONO-STEREO	
R-21	72184-32	470 OHM	1/2 W.	10%	S-2	125708	D.P.T.T. TREBLE	
R-22	72246-32	180K	1/2 W.	10%	S-3	125708	D.P.T.T. BASS	
R-23	72226-32	27K	1/2 W.	10%	S-4	121301	D.P.S.T. POWER	
R-24	72192-32	1K	1/2 W.	10%	S-5	68770	S.P.D.T. CANCEL	
R-25	125710	100K	BALANCE		T-1	131303	LOW POWER	
R-26	72194-32	1.2K	1/2 W.	10%	T-2	126502	DRIVER	
R-27	125700	100K	CONTROL		T-3	131304	AUDIO OUTPUT	
R-28	72226-32	27K	1/2 W.	10%	F-1	71590-48	15 AMP.	
R-29	72204-32	3.3K	1/2 W.	10%	F-2	71590-33	8 AMP.	
R-30	72228-32	33K	1/2 W.	10%	F-3	71590-33	8 AMP.	
R-31	74903-3	120 OHM	10 W.	5%	F-4	71590-22	3 AMP.	
R-32	74482-32	1.8 OHM	2 W.	10%	F-5	71590-33	8 AMP.	
R-33	74826-2	390 OHM	5 W.	10%	SR-1	71588-21	SILICON 3A	
R-34	74826-2	390 OHM	5 W.	10%	SR-2	71588-21	SILICON 3A	
R-35	72144-32	10 OHM	1/2 W.	10%	SR-3	71588-21	SILICON 3A	
R-36	74818-2	50 OHM	5 W.	10%	SR-4	71588-21	SILICON 3A	
R-37	74899-2	45 OHM	10 W.	10%	VR-1	125711	DUAL SELENIUM-YELLOW	
R-38	72288-33	10 OHM	1 W.	20%	VR-2	125712	DUAL SELENIUM-RED	
C-1	76504-2	175 MFD	6V.		RY-5	129547	RELAY D.P.D.T.	
C-1 OPT	74434-132	175 MFD	6V.		BR	125989	BULB-BARRETTTER	
C-2	76115-11	.068 MFD	100V.		Q-1, 2	130537-5	GREEN DOT	
C-2 OPT	76327-311	.068 MFD	100V.		Q-3, 4	130537-4	YELLOW DOT	
C-2 OPT	76191-11S	.068 MFD	100V.		Q-5	131262	P-N-P SILICON	
C-3	76481-6	2 MFD	25V.		Q-6, 7	130537-5	N-P-N SILICON	
C-4	76165-11S	.0056 MFD	100V.		Q-6, 7 OPT	131711	GREEN DOT	
C-5	76333-321	.22 MFD	100V.		Q-8, 9	131777	MEDIUM-POWER P-N-P	
C-5 OPT	76203-17S	.22 MFD	75V.		Q-10, 11			
C-6	76501-2	100 MFD	6V.		Q-12, 13	125703-2	RED DOT P.A. TRANSISTOR	
C-6 OPT	74432-132	100 MFD	6V.		Q 10-11 12-13 OPT.	125703-3	ORANGE DOT	
C-7	76398-141	.0027 MFD	DISC			125703-4	YELLOW DOT	
C-8	76191-11S	.068 MFD	100V.			125703-5	GREEN DOT	
C-8 OPT	76327-311	.068 MFD	100V.			125703-6	BLUE DOT	
C-8 OPT	76115-11	.068 MFD	100V.					
C-9 OPT	76329-311	.1 MFD	100V.					
C-9	76398-141	.0027 MFD	DISC					
C-10	76115-11	.068 MFD	100V.					
C-10 OPT	76327-311	.068 MFD	100V.					
C-10 OPT	76191-11S	.068 MFD	100V.					
C-11	76383-341	.01 MFD	DISC					
C-12	76385-341	.0082 MFD	DISC					
C-13	76199-17S	.15 MFD	75V.					
C-13 OPT	76331-321	.15 MFD	100V.					