

# ALPHABETICAL LIST OF ILLUSTRATIONS

TITLE	PAGE
Amplifier, Model 518. . . . .	26
Amplifier, Model 518. . . . .	27
Amplifier, Model 518. . . . .	28
Arm Assembly, Complete . . . . .	15
Changer Motor Assembly . . . . .	19
Coin Register Mechanism . . . . .	7
Coin Register Mechanism . . . . .	8
Coin Register Mechanism . . . . .	9
Coin Register Mechanism . . . . .	10
Electric Selector Assembly . . . . .	20
Electric Selector Assembly . . . . .	21
Gear Box Assembly . . . . .	18
Key Illustration . . . . .	4
Key Illustration . . . . .	5
Main Cam Assembly . . . . .	17
Mounting Plate, Chassis . . . . .	14
Program Holder Casting Assembly . . . . .	22
Record Tray Stack . . . . .	13
Shaft, Lever & Cam Wheel Assembly . . . . .	16
Slug Rejector Assembly . . . . .	6
Tone Arm Assembly . . . . .	12
Top Trim Casting Assembly . . . . .	11
Trim Assembly. . . . .	23
Trim Assembly. . . . .	24
Trim Assembly. . . . .	25
Turntable Motors. . . . .	18

FLIPPERS.COM

# INTRODUCTION

This perpetual type of Manual is published to provide a means of keeping all service information up to date by periodic additions of revisions. It contains descriptive and general data, installation instructions, service and maintenance, electrical and electronic, mechanical adjustments and service parts.

The Manual is arranged in sections and classified as described in the General Index Sec. 1 Pages 6 and 7. Each section is sub indexed to provide a ready means of locating the exact page on which to find the desired information.

Service items may be located for ordering by reference to the Parts Section as indicated in the General Index Sec. 1 Page 6.

The Parts Section has been compiled to simplify the ordering of parts for the Wurlitzer Commercial Phonographs and associated equipment. Its primary purpose is to give the name and part number of each part and to clearly indicate them in their assembled position.

To accomplish this, Exploded Views have been used almost entirely. Assemblies have been "pulled apart" in such a manner that each item is pictured independently without losing its identity in relation to the complete assembly.

All related assemblies have been grouped as indicated in the Alphabetical List of illustrations in the Sub Index, Sec. 11 Page 1. Key Illustrations are provided with each model in the Parts Section, as indicated in the Sub Index of that section, to further aid in locating parts.

To find the number of a part, determine its function and the main assembly of which it is sub-assembly. Locate the figure on which this main assembly is illustrated by referring to the alphabetical list of illustrations or the key illustrations. If the part is not shown on the figure indicated it is not obtainable and must be procured by purchasing the assembly. Parts of rivet and weld assemblies have not been listed as such parts are not obtainable.

When ordering, make sure that the part number which you select includes the entire assembly, that you need. It may be necessary to order two or more parts to complete the assembly that you require.

After determining the proper part name and number, fill out the Parts Order correctly and completely. This will avoid delay caused by misunderstood orders and permit prompt and efficient service.

**PARTS ORDER**  
THE RUDOLPH WURLITZER COMPANY  
North Tonawanda, N. Y.

ORDER NO. 1000 DATE, DAY, MONTH, YEAR

NAME JOHN DOE CITY PITTSBURGH STATE PA.

STREET ADDRESS 1200 MAIN STREET CITY STATE

SHIP TO SAME SHIP VIA EXPRESS

QUANTITY PART NO. DESCRIPTION

QUANTITY	PART NO.	DESCRIPTION
1	81442	COIN SWITCH
1	80448	TRIP ARM ASSEMBLY (PACKED, WITHOUT CARTRIDGE)

NOTICE - Part Numbers without Description will not be honored.

AUTHORIZED SIGNATURE *John Doe*

Approved By \_\_\_\_\_

Shipping Order No. \_\_\_\_\_

Entered By \_\_\_\_\_

**BE SURE TO INCLUDE:**

1. Part Number
2. Instrument Model Number
3. Part Name
4. Quantity
5. Authorized Signature

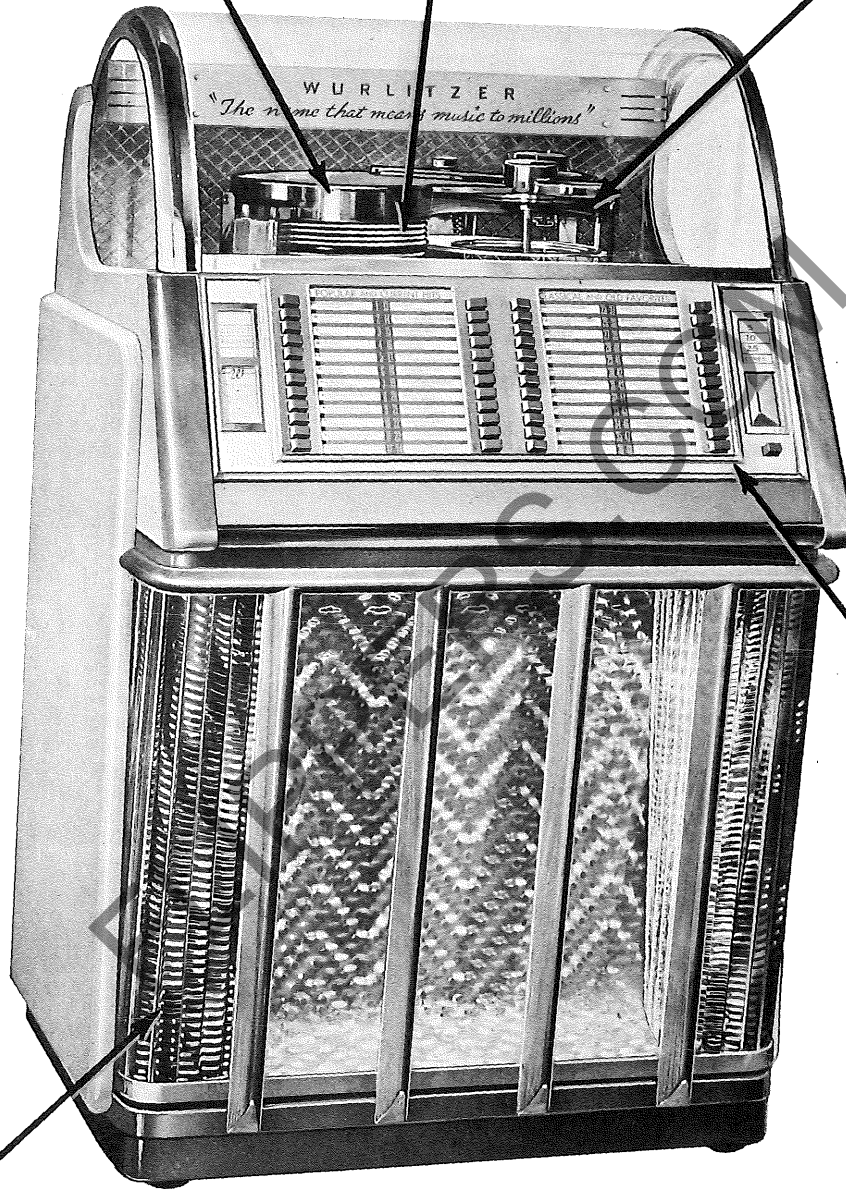
Unless otherwise designated, all references to "right" and "left", regarding the phonograph or sections thereof, are made as viewing the phonograph from the front.

The Rudolph Wurlitzer Co. reserves the right to make any changes or improvements in its products with out notice or obligation to previous or subsequent purchases.

TOP TRIM CASTING  
ASSEMBLY - Page 11

TONE ARM  
ASSEMBLY  
Page 12

RECORD TRAY  
STACK - Page 13



PROGRAM  
HOLDER  
CASTING  
ASSEMBLY  
Page 22

TRIM ASSEMBLY  
Page 23 - 24 - 25

Key Illustration

ELECT. SEL. ASSEM.  
Page 20 - 21

SHAFT, LEVER AND CAM  
WHEEL - Page 16

GEAR BOX  
Page 18

MTG. PLATE  
Page 14

MOTOR  
Page 19

MAIN CAM  
Page 17

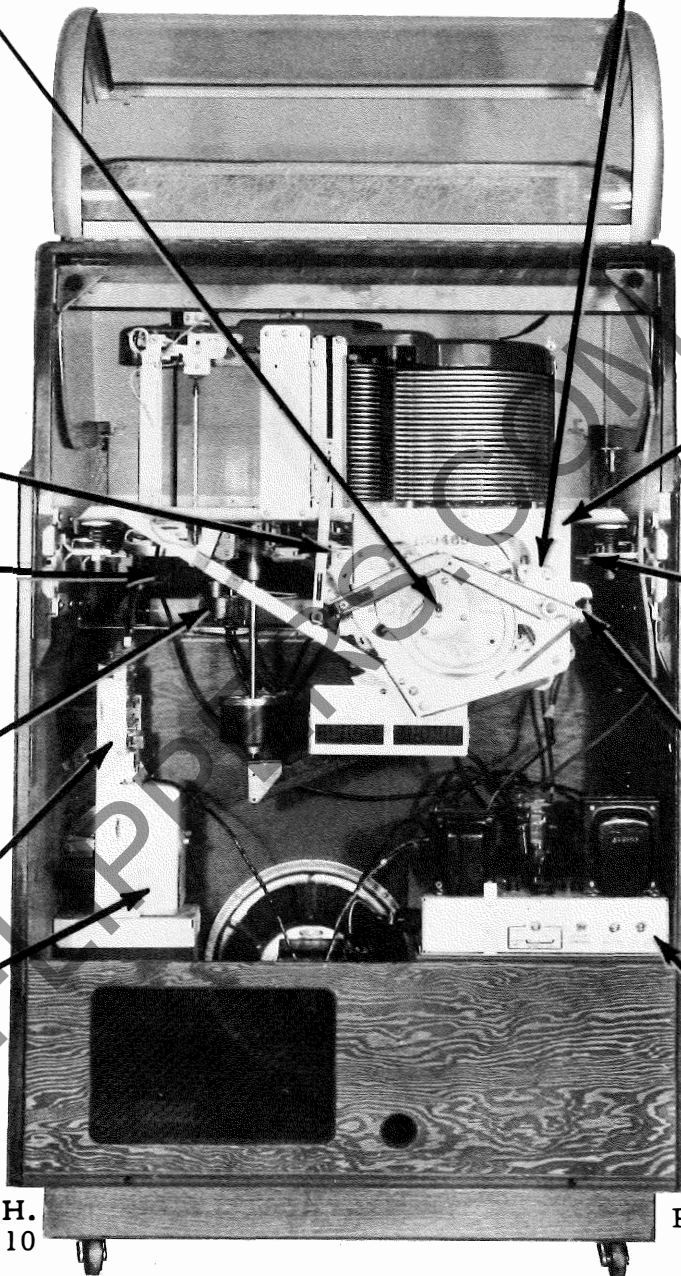
TURNTABLE  
MOTORS  
Page 18

ARM ASSEMBLY  
Page 15

SLUG REJ.  
Page 6

COIN REG. MECH.  
Page 7 - 8 - 9 - 10

AMPLIFIER  
Page 26 - 27 - 28



Key Illustration

49949  
COIN HOPPER AND  
SUPPORT ASSEMBLY

49442  
SLUG REJECTOR  
ASSEMBLY  
50133  
SLUG REJECTOR  
(ONLY)

50139  
ADJUSTING  
CAM

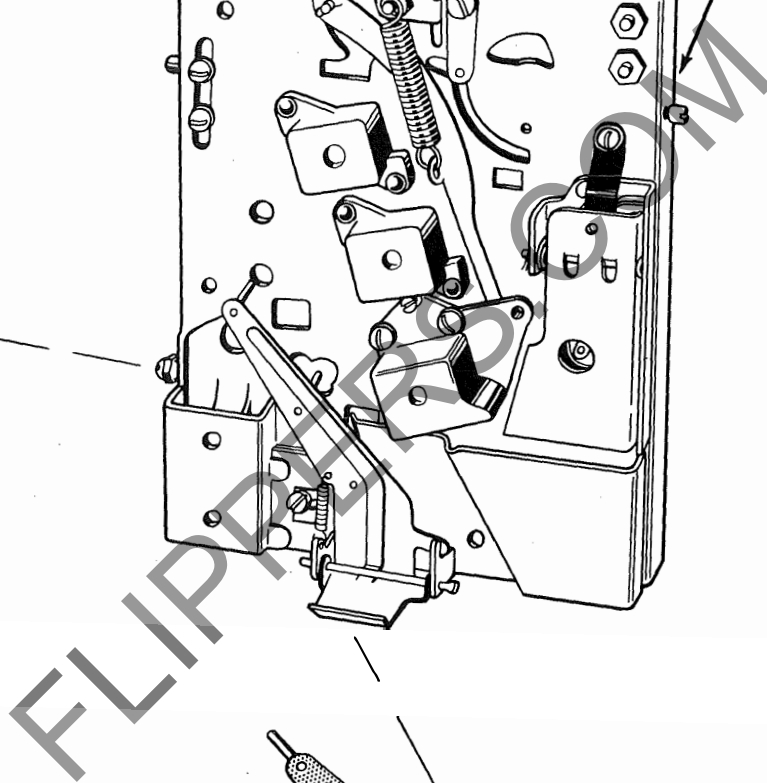
50151  
SPRING

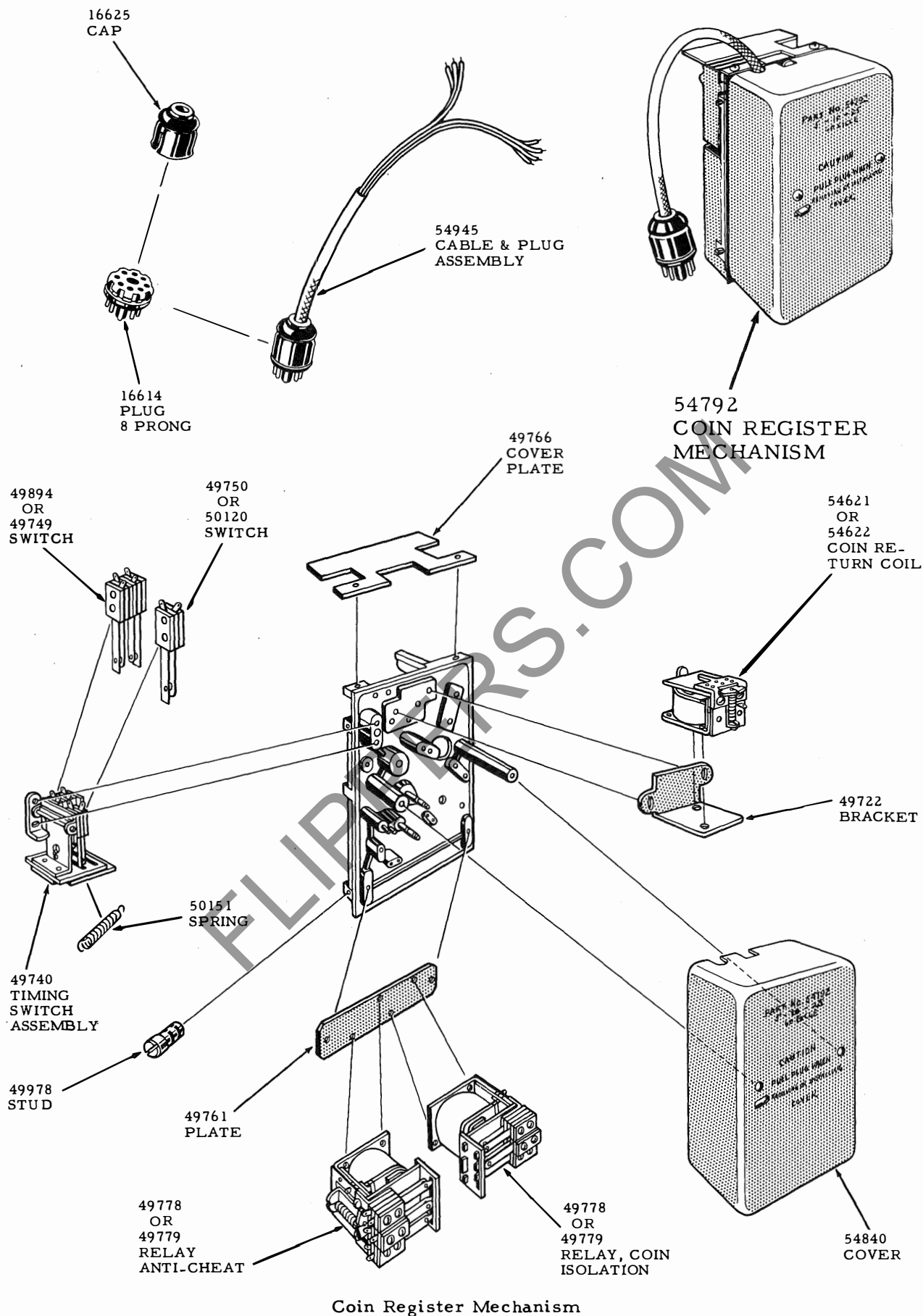
46191  
SPRING CLIP

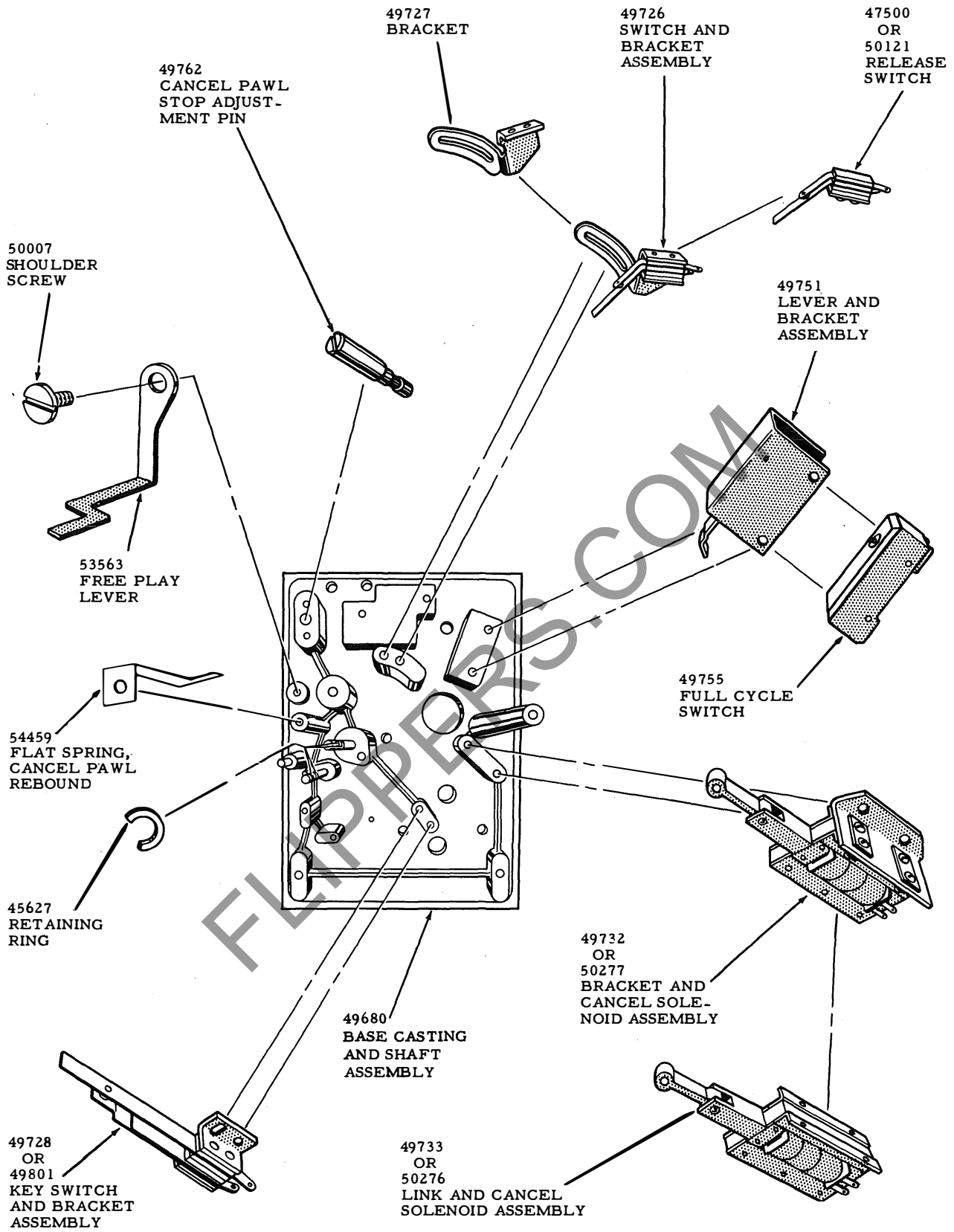
49823  
PIN

49829  
ARM AND PIN  
ASSEMBLY

Slug Rejector Assembly







Coin Register Mechanism



39983  
SPRING,  
ESCAPEMENT  
PAWL

45782  
ESCAPEMENT  
PAWL  
ASSEMBLY

49950  
TORSION  
SPRING

49706  
RATCHET WHEEL  
ASSEMBLY

45787  
COIL AND  
LAMINATION  
ASSEMBLY

45792  
SPRING,  
CANCEL PAWL

49712  
LEVER  
ASSEMBLY

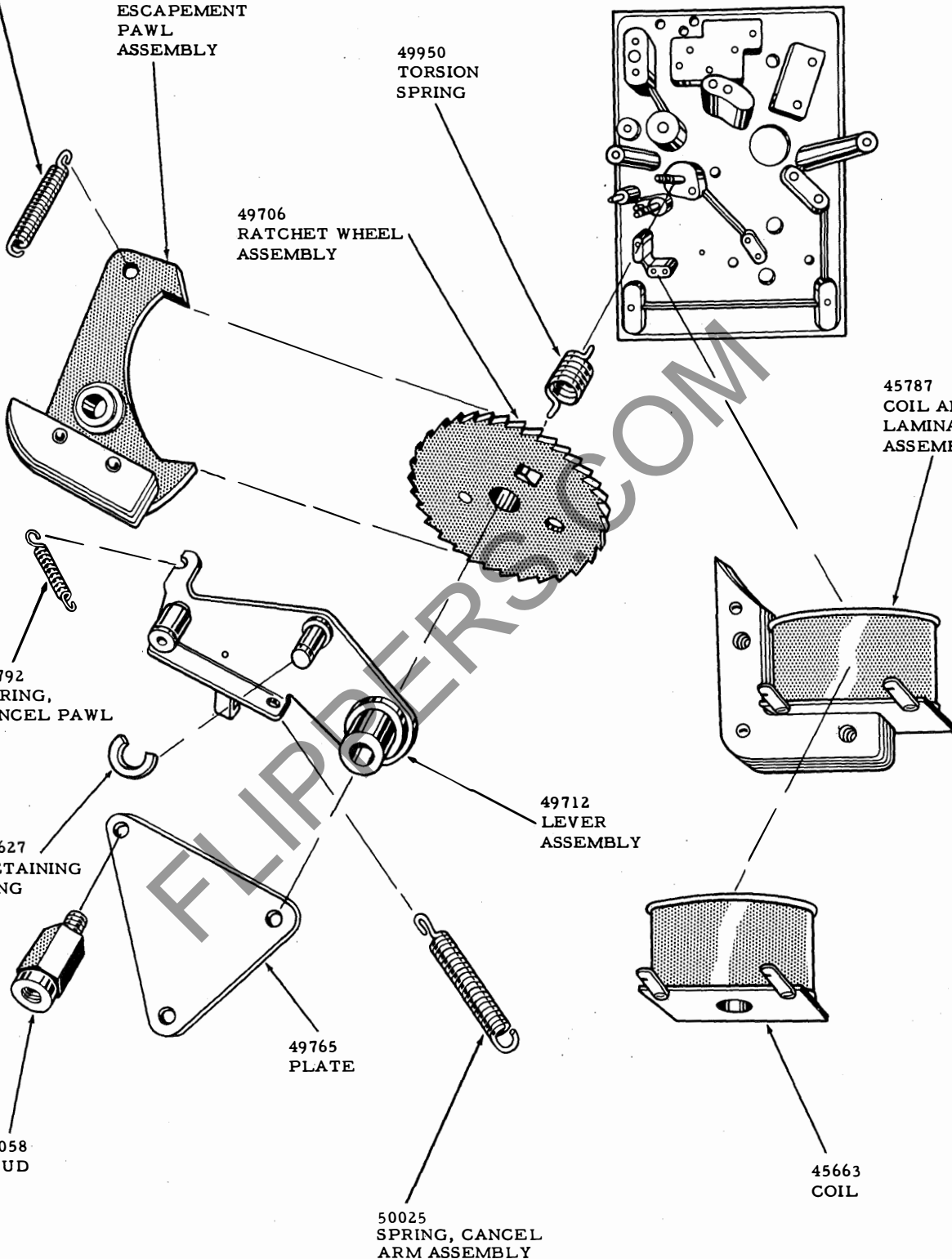
45627  
RETAINING  
RING

49765  
PLATE

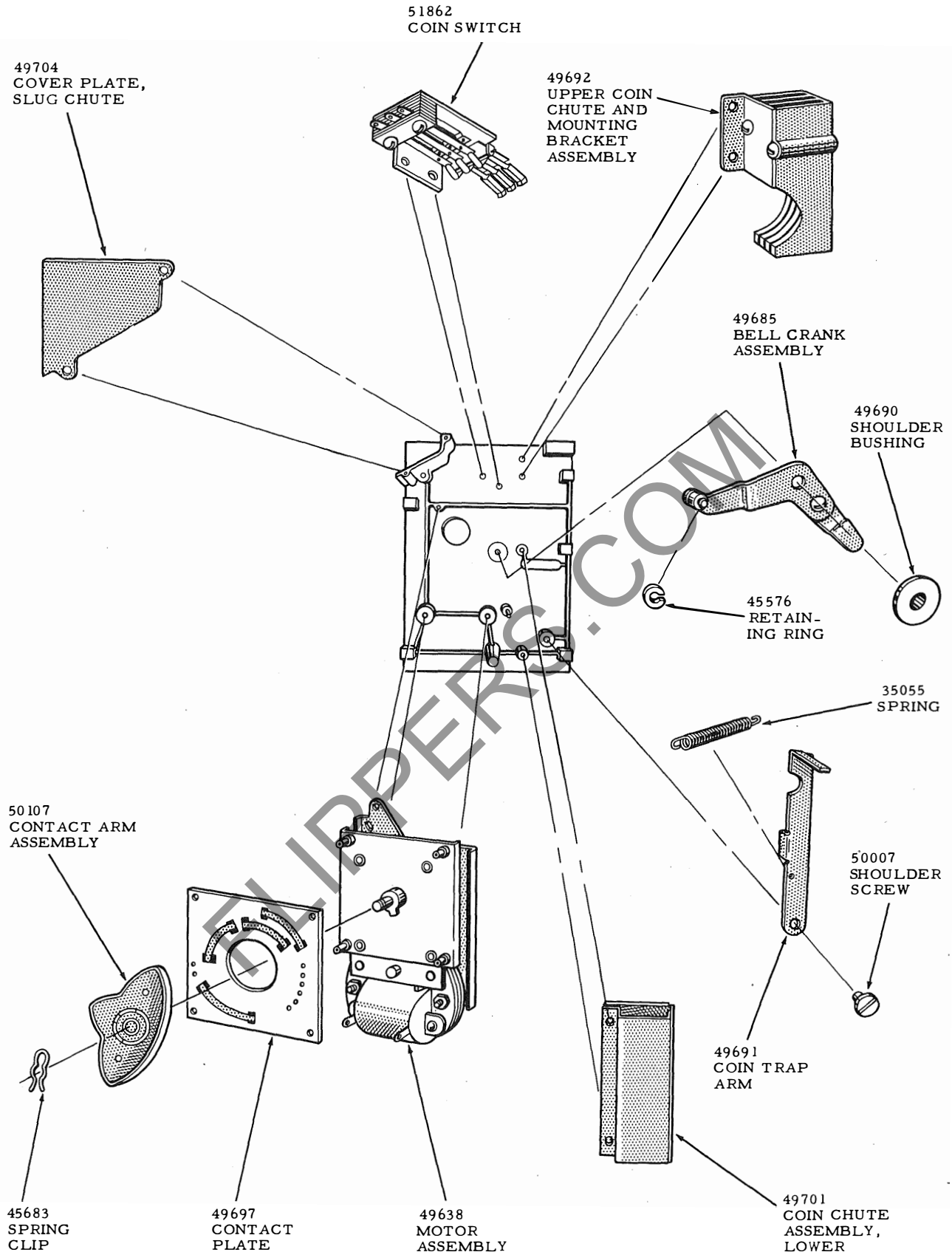
50058  
STUD

50025  
SPRING, CANCEL  
ARM ASSEMBLY

45663  
COIL



Coin Register Mechanism



Coin Register Mechanism

53825  
PRESSURE PAD  
ASSEMBLY

57975 (1600)  
57940 (1650)  
TOP TRIM  
CASTING  
ASSEMBLY

54927  
GUIDE BRACKET  
ASSEMBLY

54936 (1600)  
LEVER & BRACKET  
ASSEMBLY

55466  
ACTUATOR

54900  
SHOULDER  
SCREW

57853  
MICRO SWITCH

55381  
BELL CRANK  
ASSEMBLY,  
COMPLETE

57854  
ARM, MICRO  
SWITCH

53477  
SPRING, TONE  
ARM DRIVE

53479  
SPRING, TONE  
ARM FEED-IN

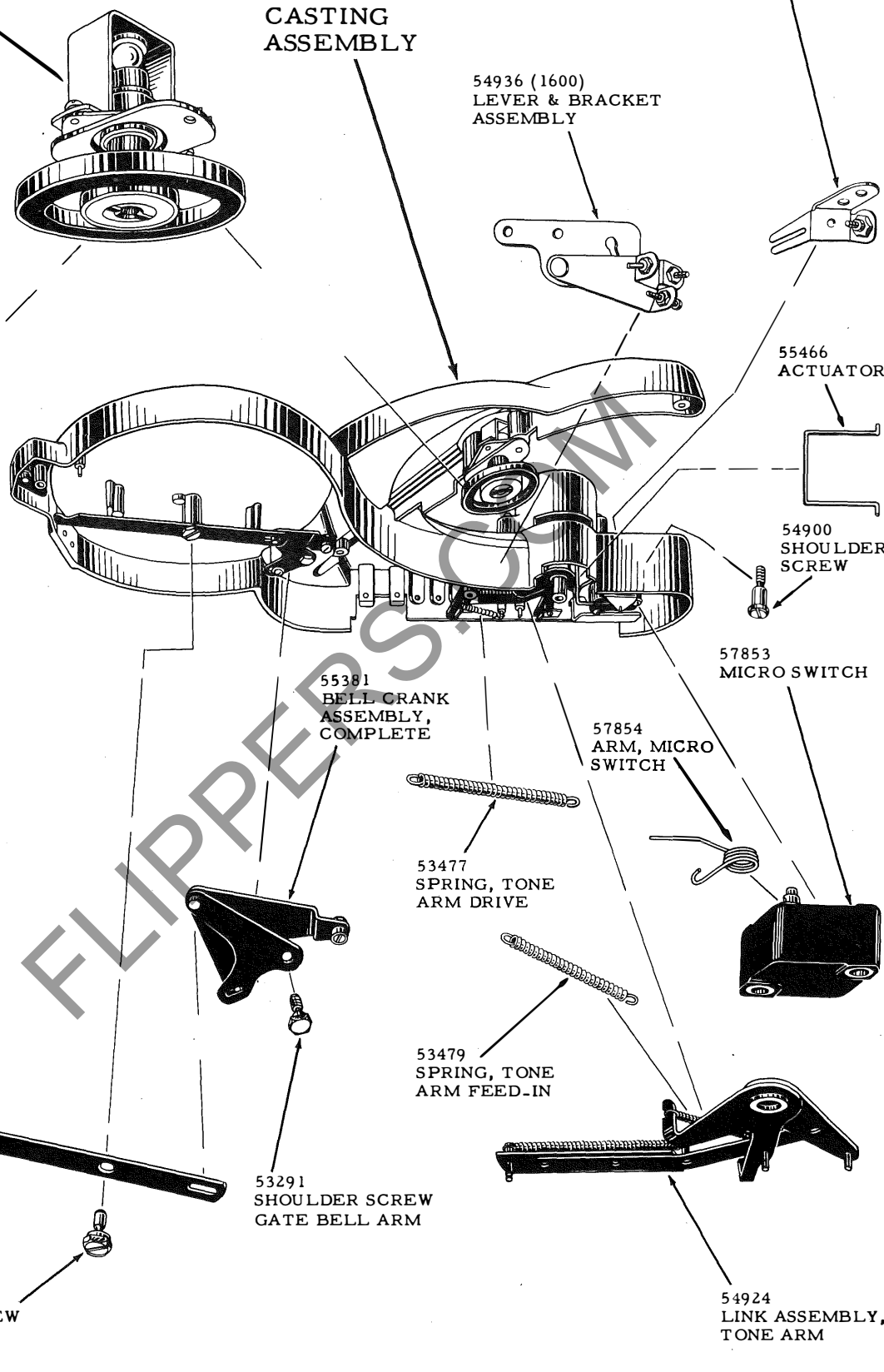
53390  
WASHER,  
RECORD DRIVE

53061 (1600)  
57908 (1650)  
ARM, RECORD  
TRAY LOCK

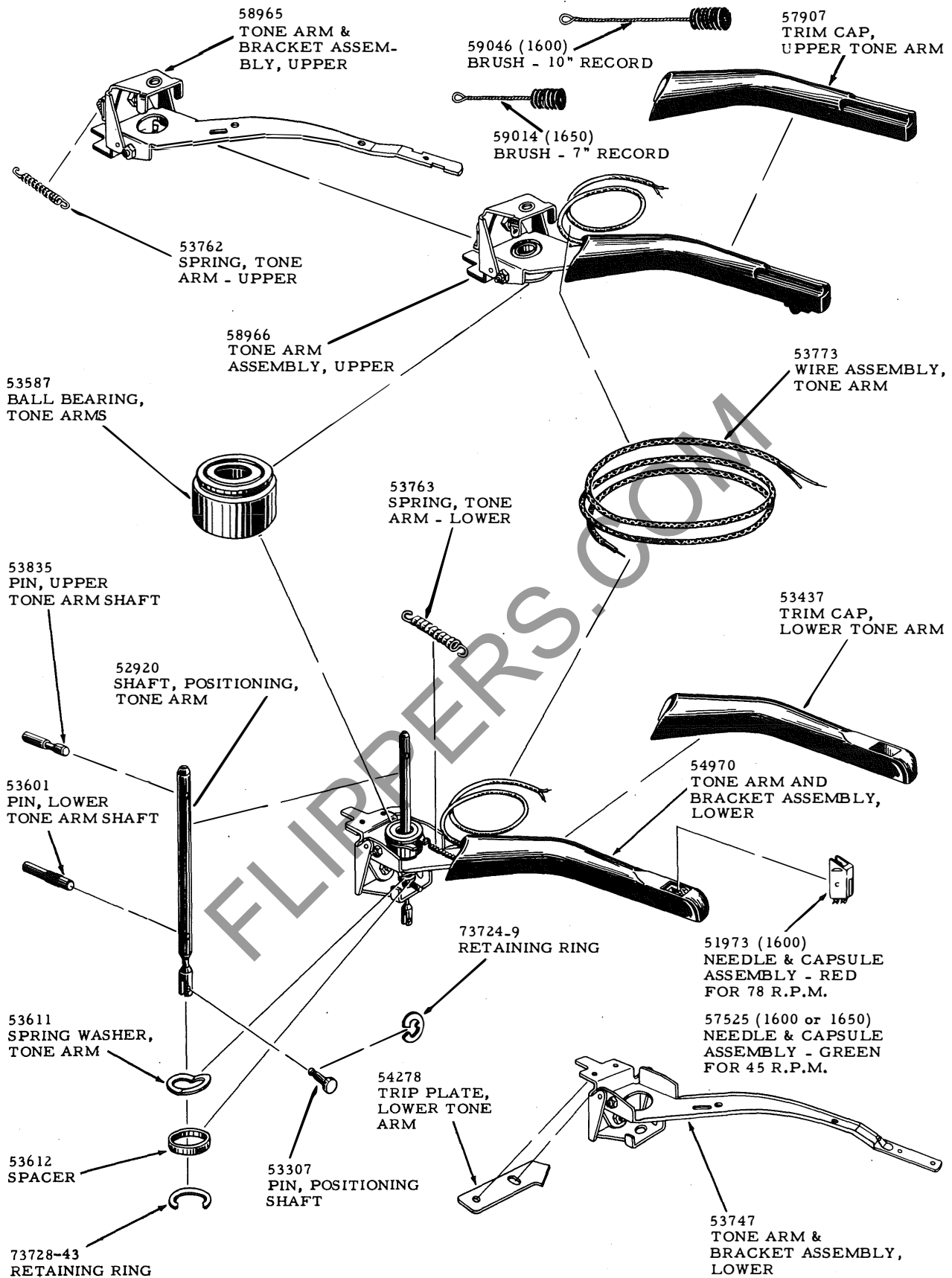
53291  
SHOULDER SCREW  
GATE BELL ARM

53066  
SHOULDER SCREW  
GATE LEVER

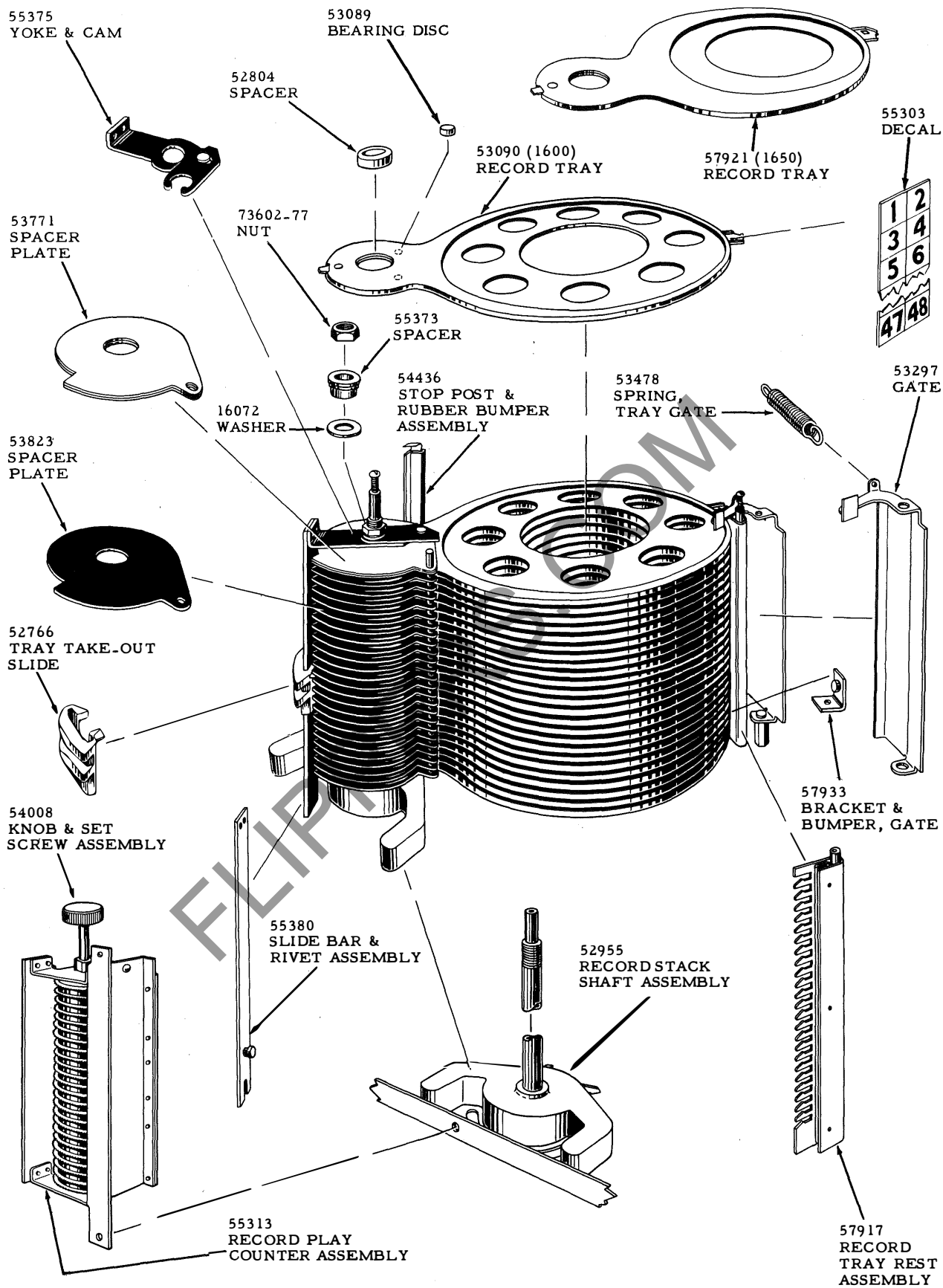
54924  
LINK ASSEMBLY,  
TONE ARM



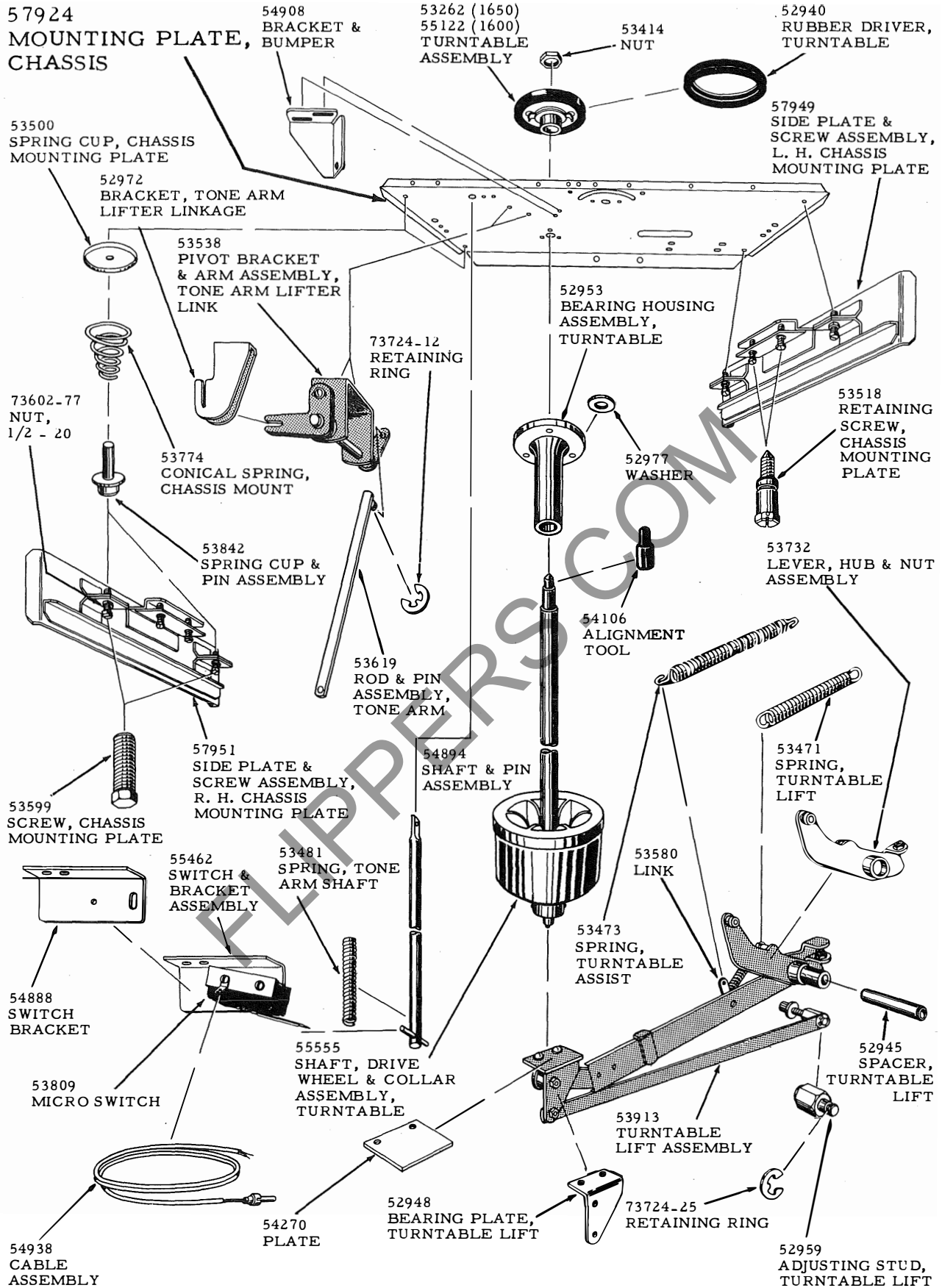
Top Trim Casting Assembly



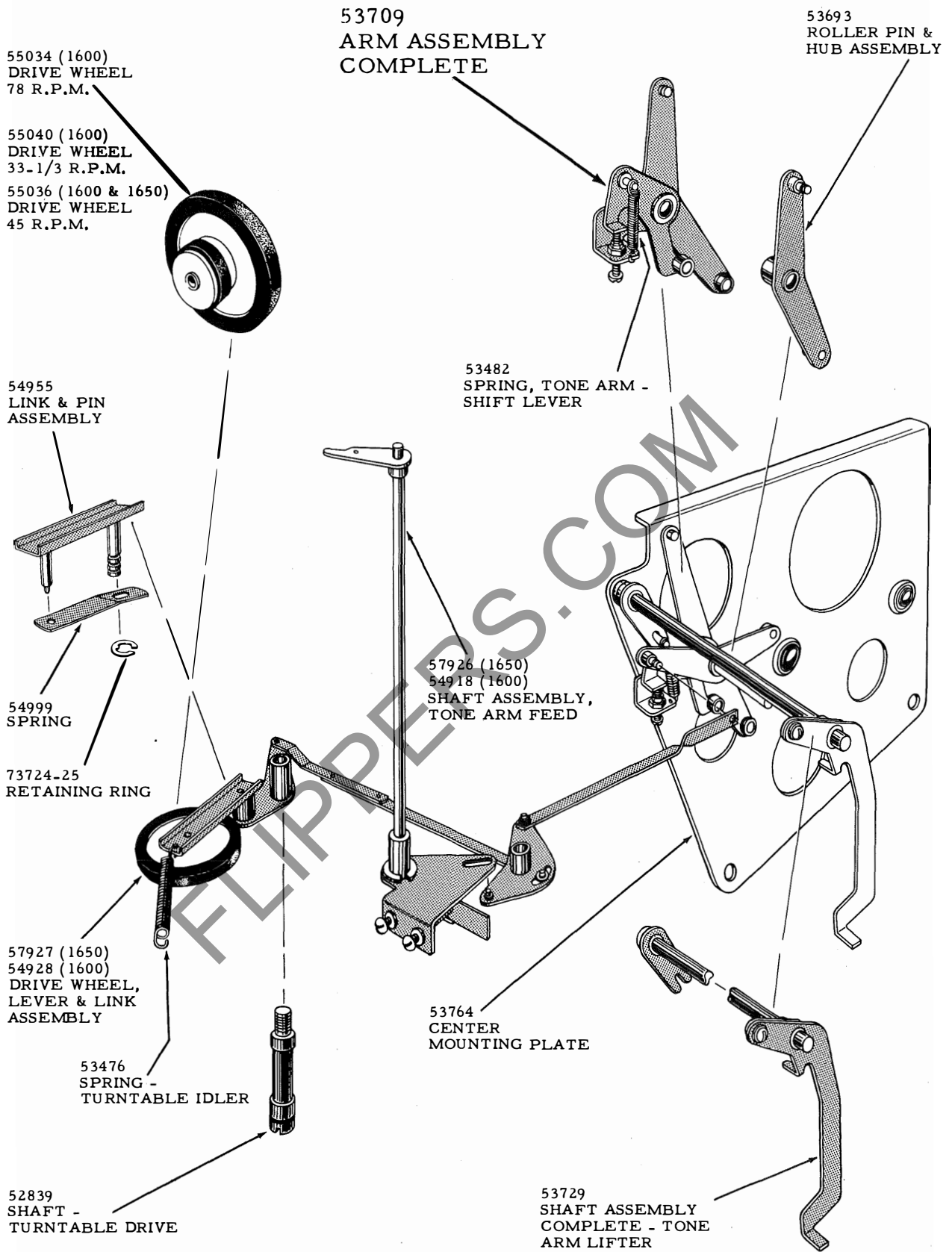
Tone Arm Assembly



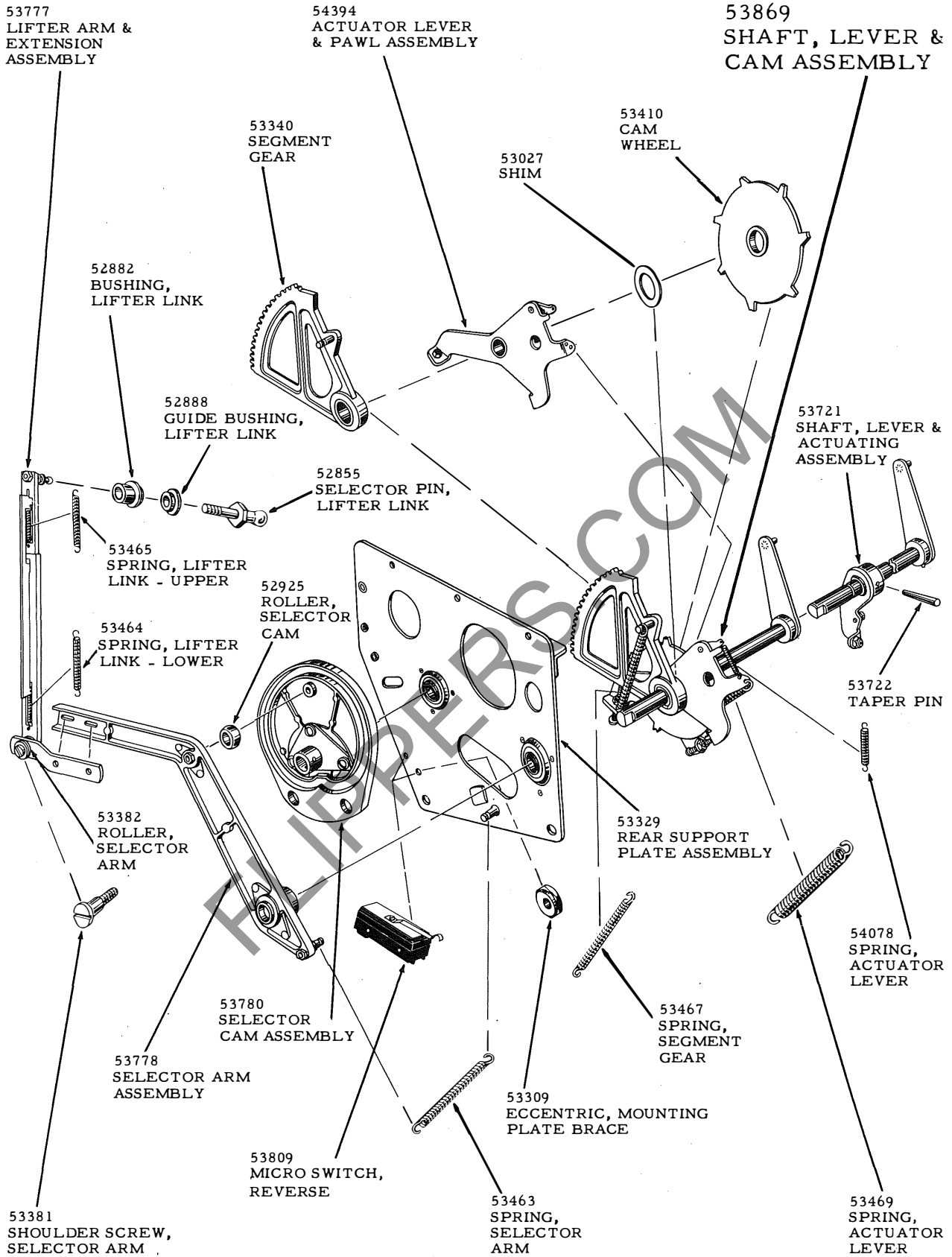
Record Tray Stack



Mounting Plate, Chassis

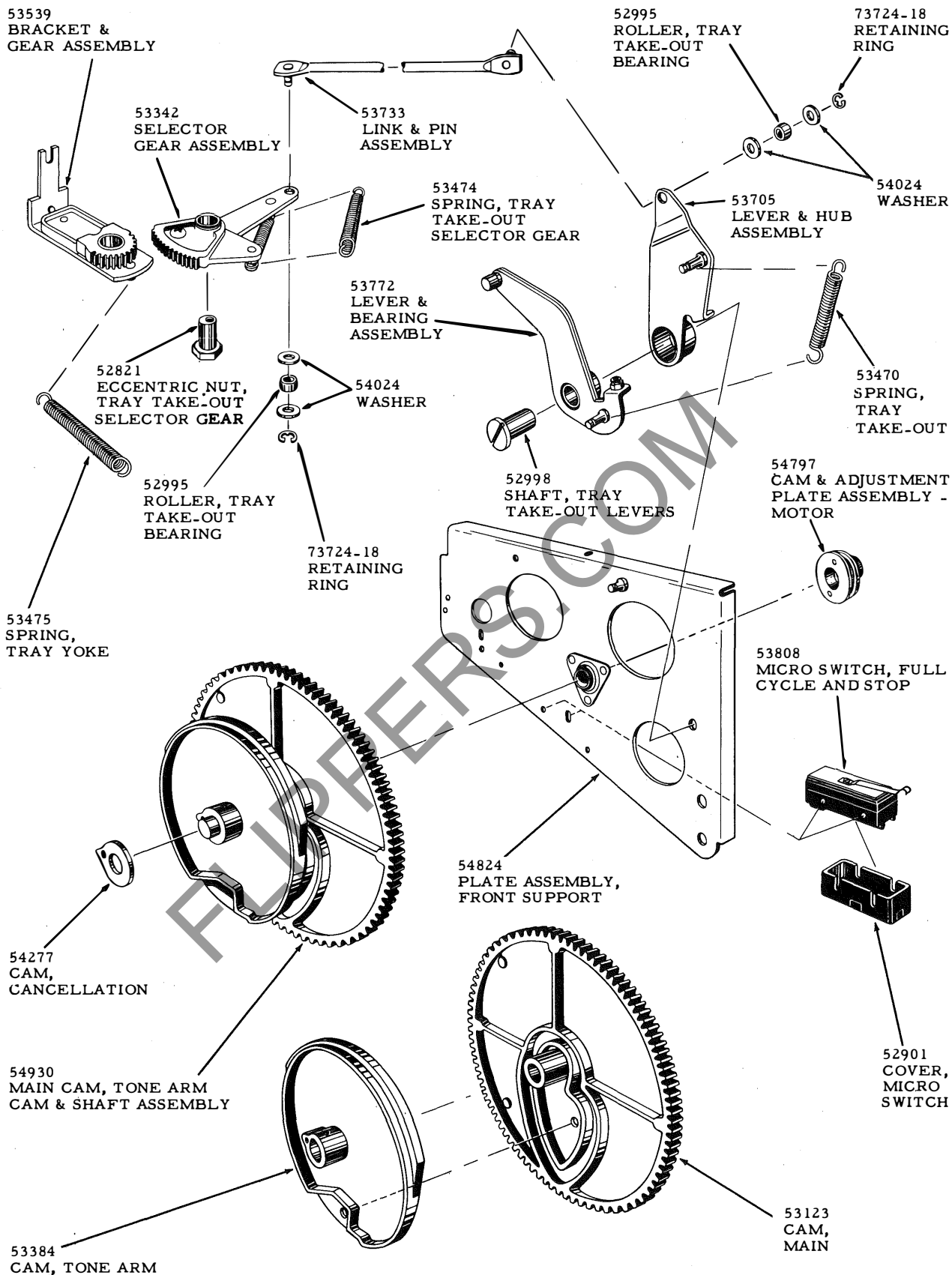


Arm Assembly, Complete

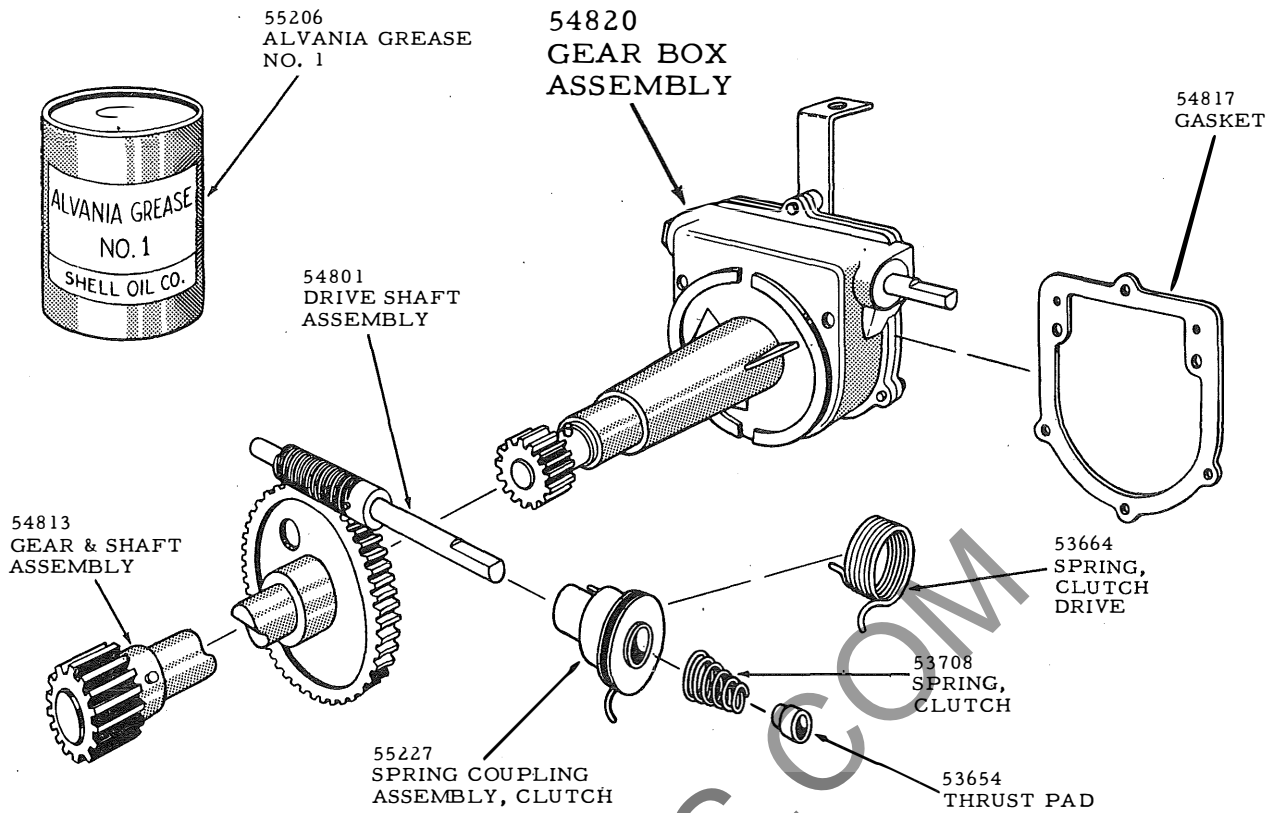


Shaft, Lever & Cam Wheel Assembly

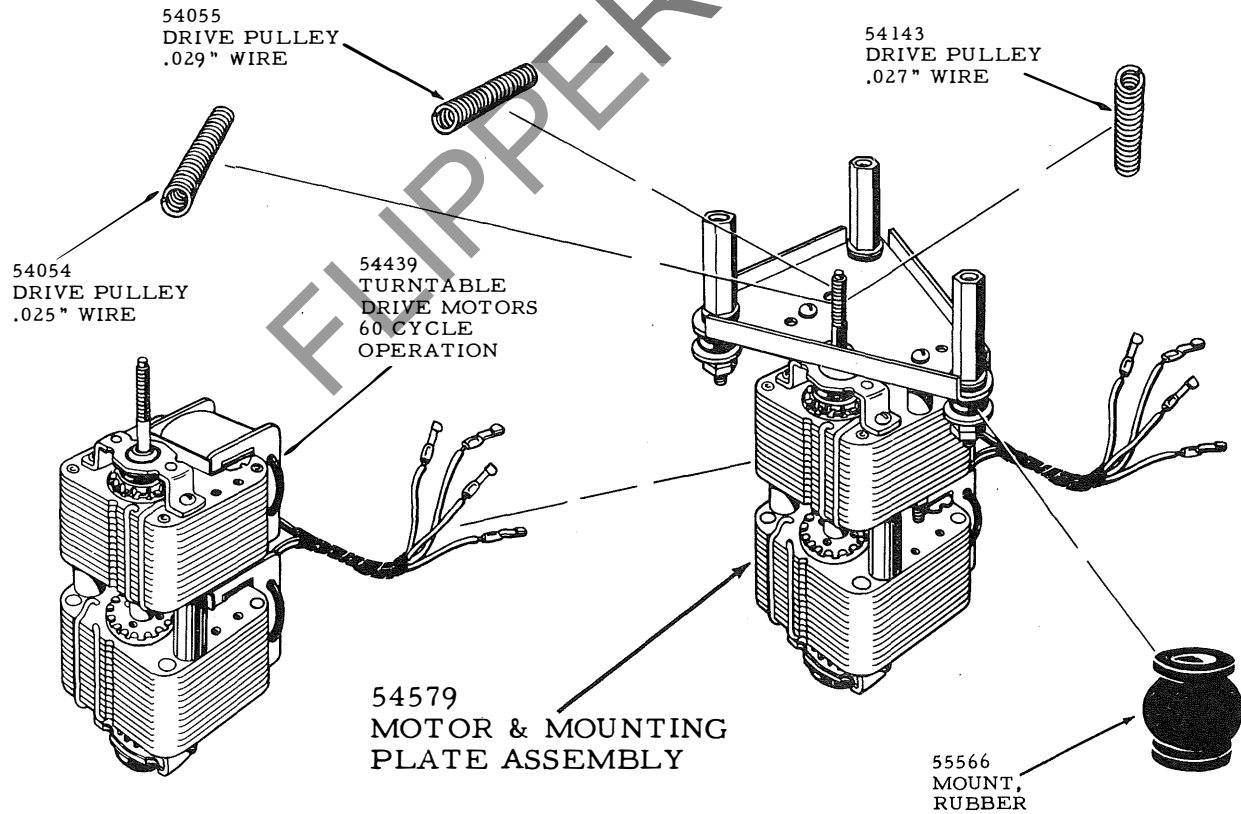




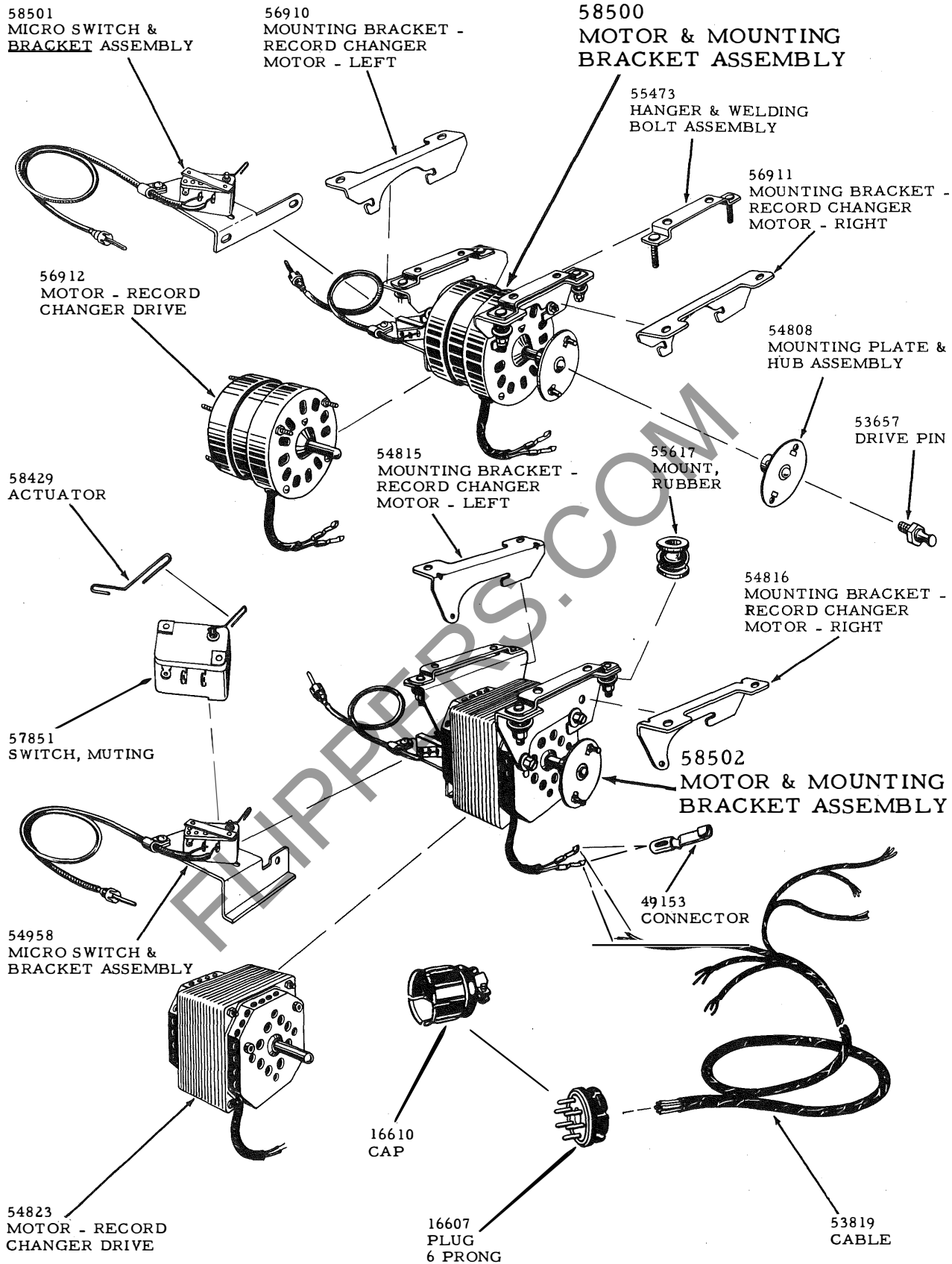
Main Cam Assembly



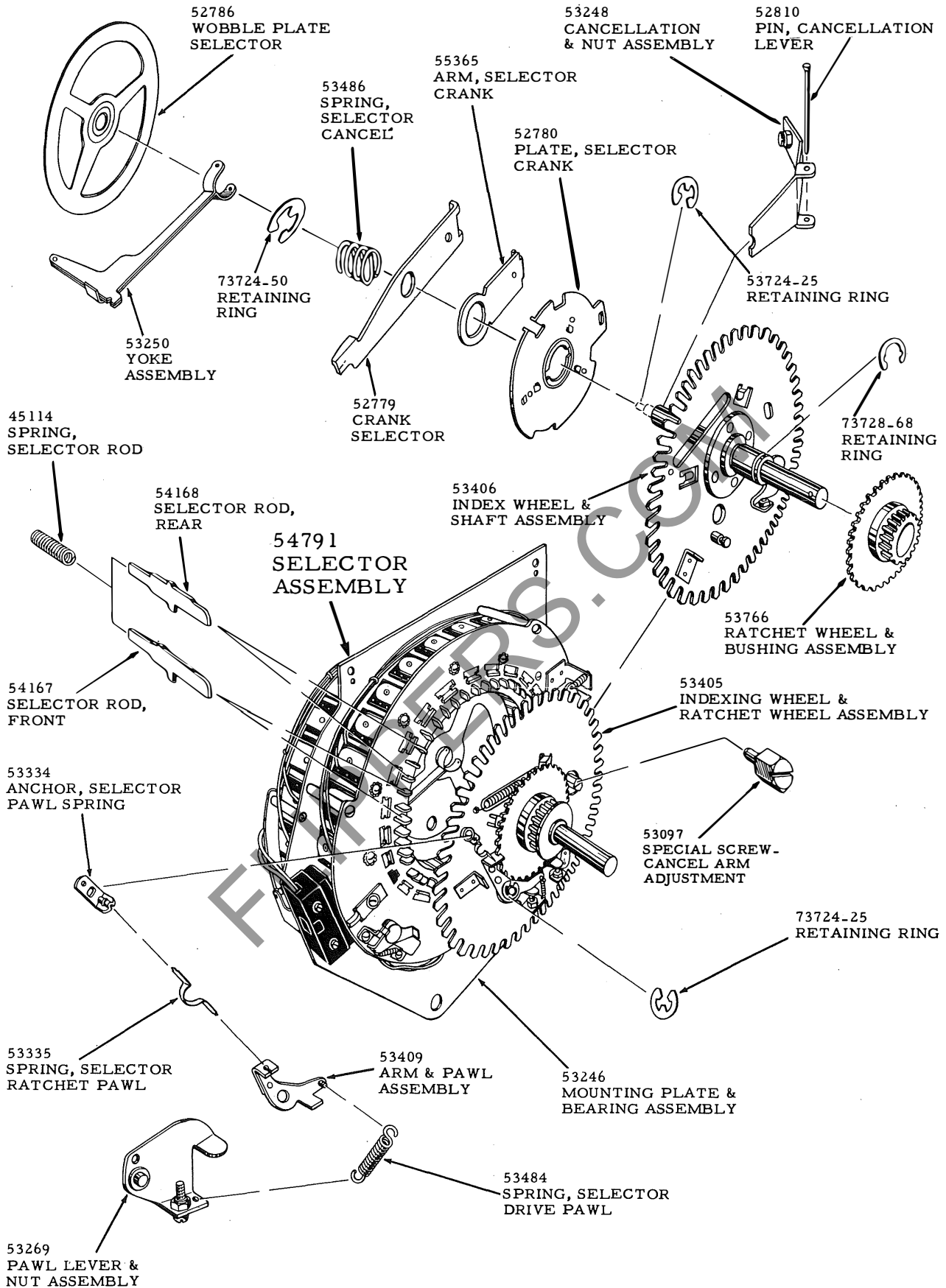
Gear Box Assembly



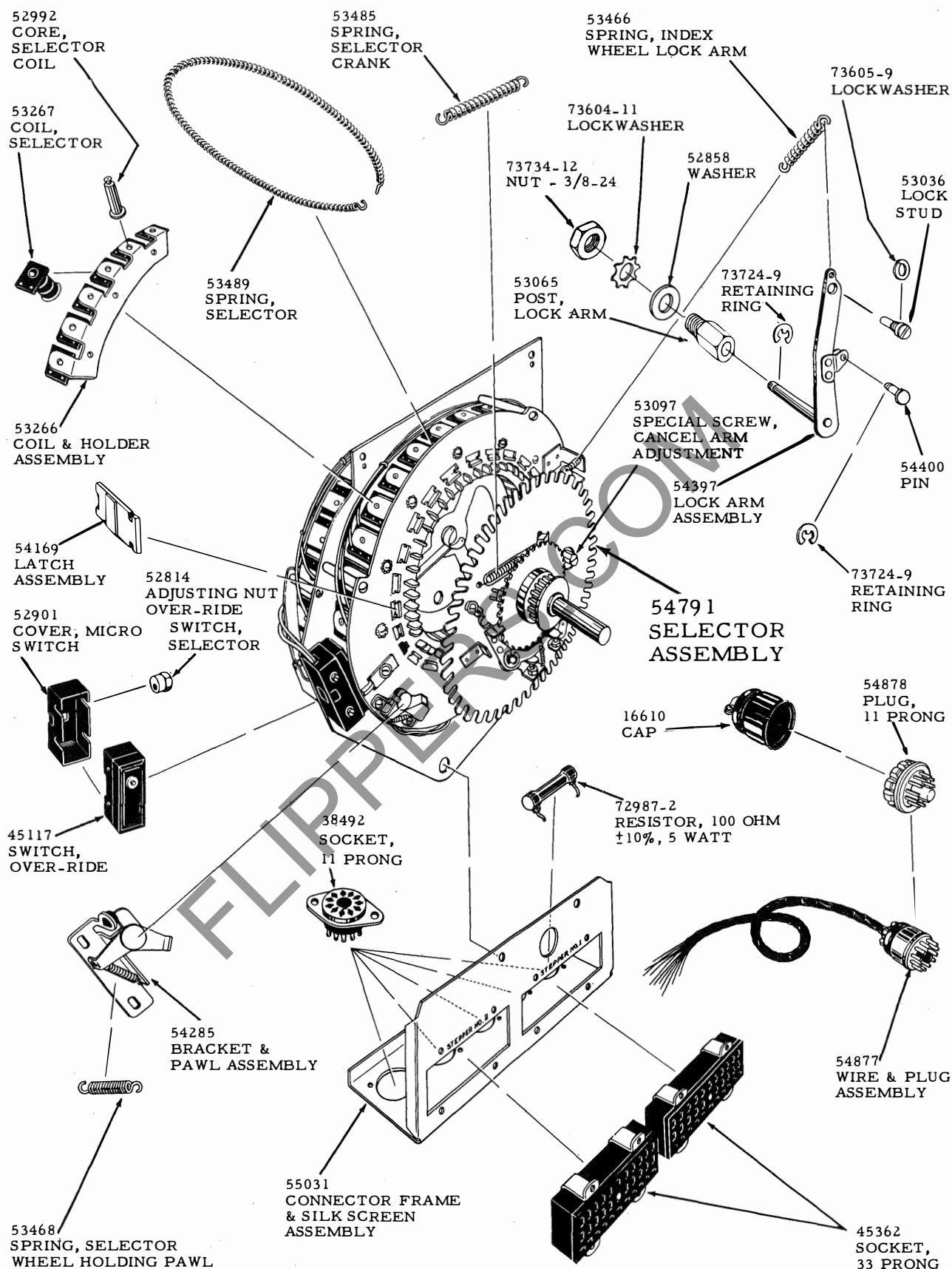
Turntable Motors



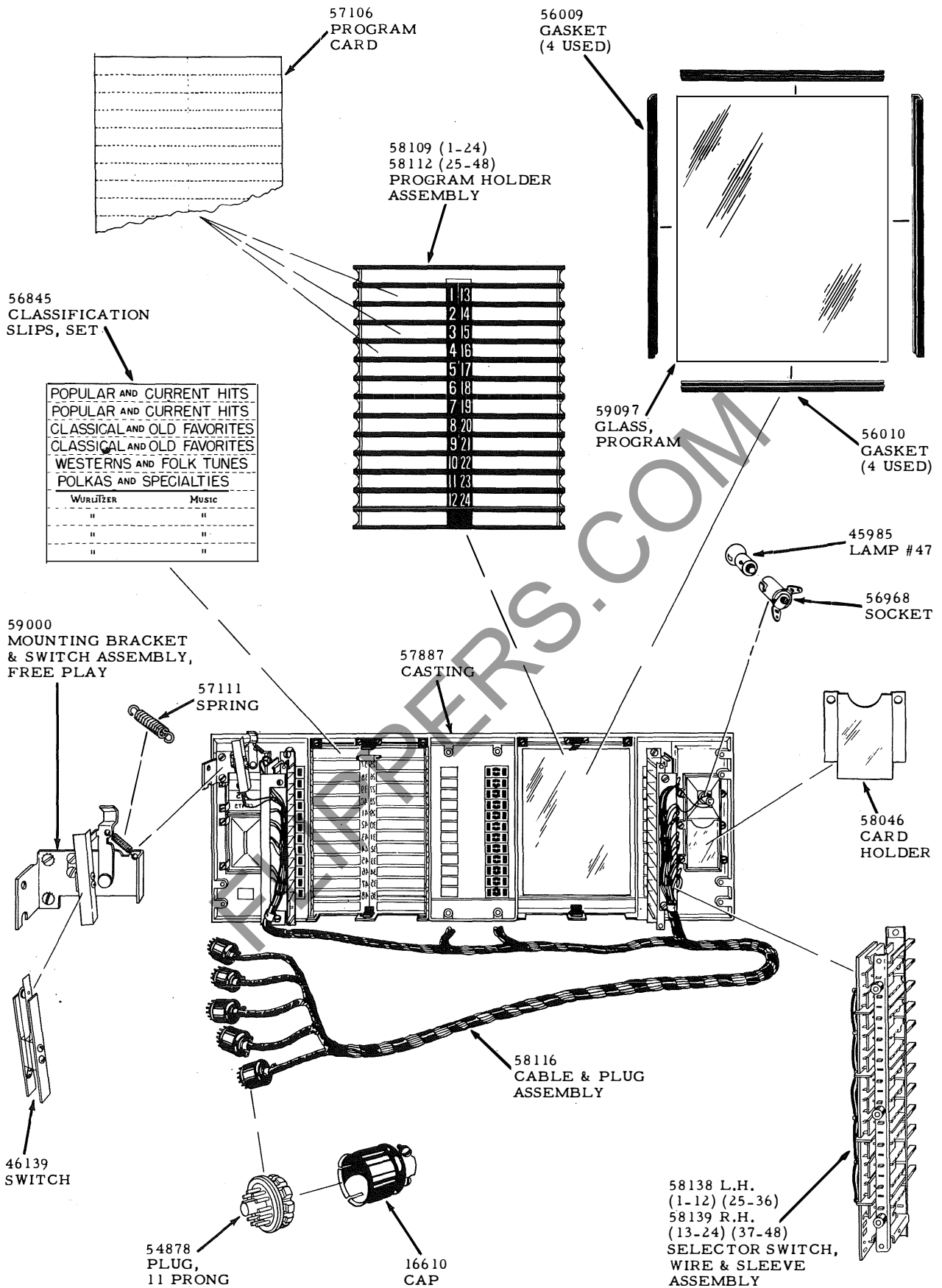
Changer Motor Assembly



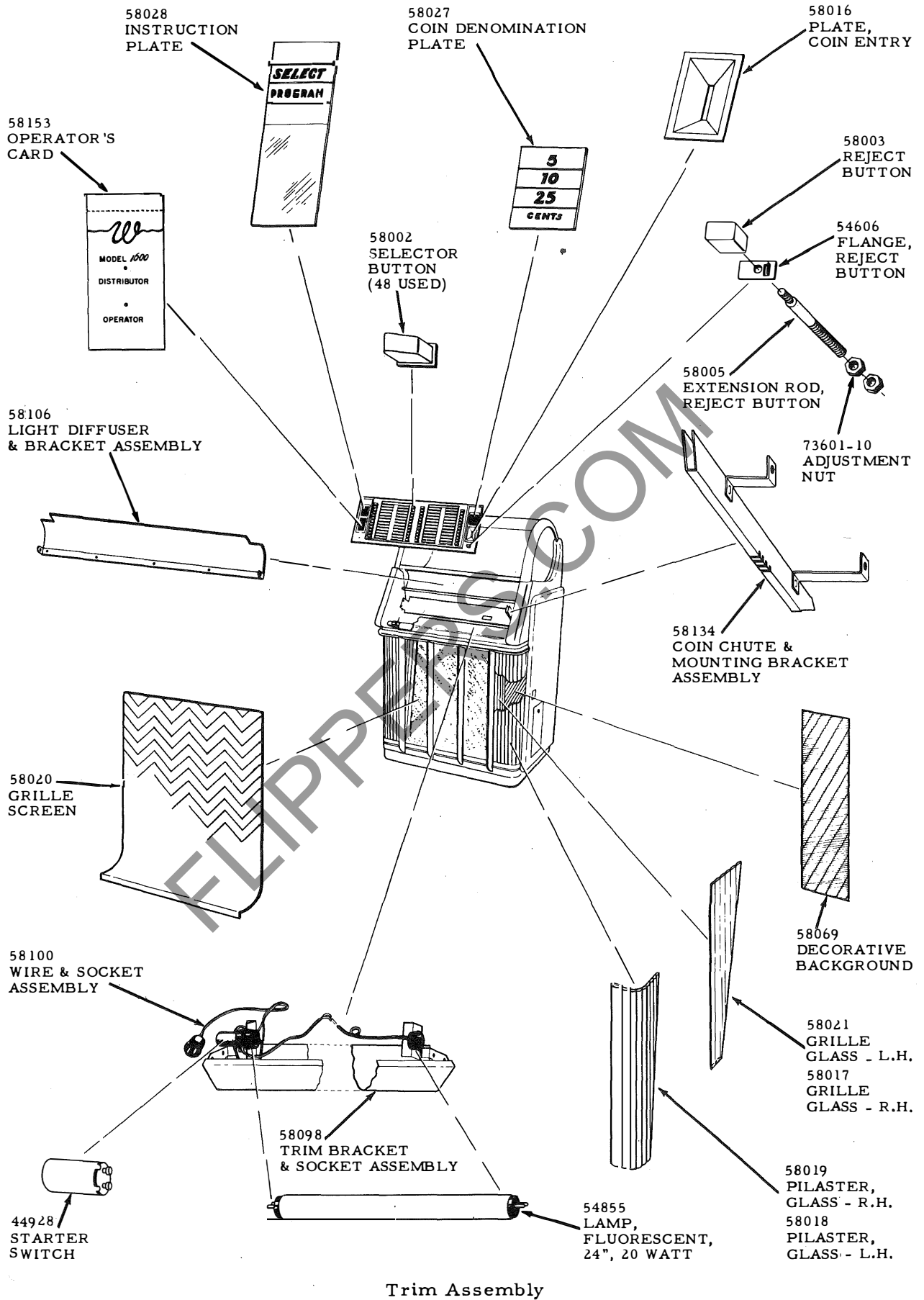
Electric Selector Assembly



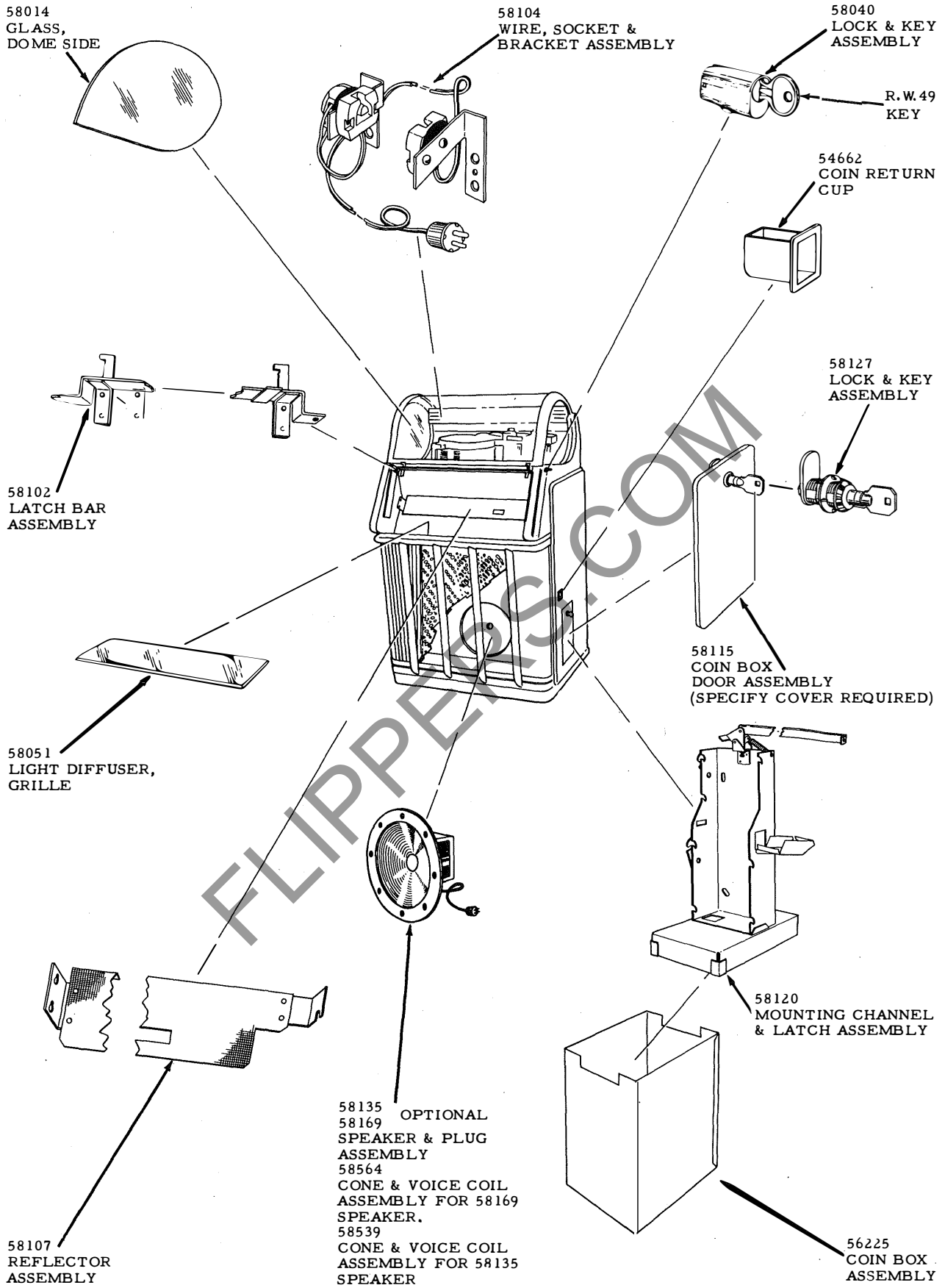
Electric Selector Assembly



Program Holder Casting Assembly

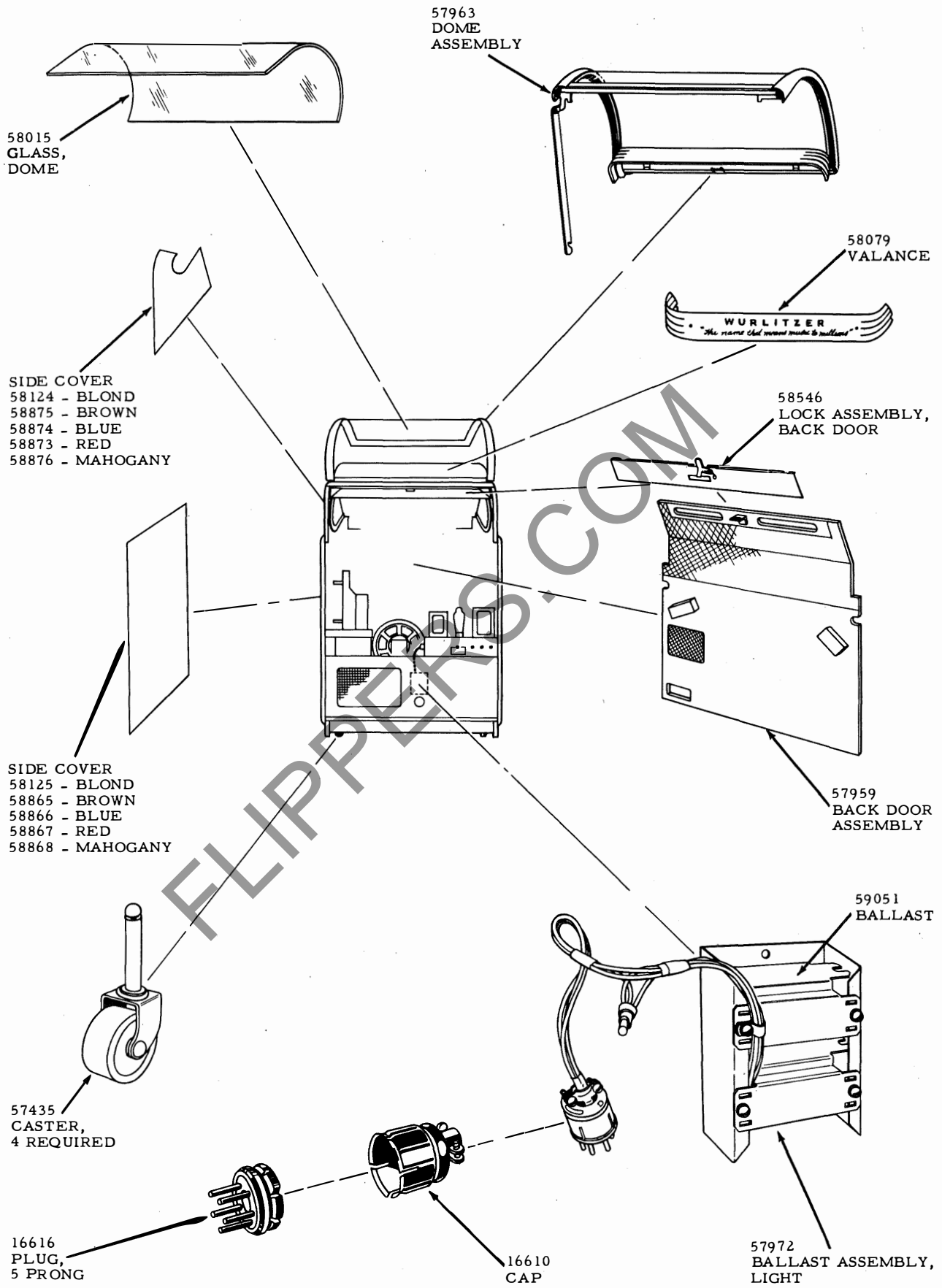


Parts Section



Trim Assembly





Trim Assembly

57965  
AMPLIFIER,  
MODEL 518

58425  
SOCKET,  
9 PRONG

10964  
SOCKET,  
8 PRONG

38492  
SOCKET,  
11 PRONG

32881  
SOCKET,  
6 PRONG

35146  
SOCKET,  
5 PRONG

56325  
FUSE, 2 AMPERE -  
SLO BLO

52196  
FUSE,  
15 AMP.

43699  
PAL NUT

53544  
TONE CONTROL,  
TREBLE

53545  
TONE CONTROL,  
BASS

43341  
SOCKET,  
SINGLE  
PRONG

45352  
FUSE POST

73475  
CAPACITOR,  
ELECTROLYTIC

58473  
PLUG ASSEMBLY,  
SHORTING

53325  
TRANSFORMER,  
POWER - 117 VOLT,  
50 - 60 CYCLE

73474  
CAPACITOR,  
ELECTROLYTIC

24558  
TERMINAL  
STRIP

53769  
LINE CORD  
ASSEMBLY

55010  
TRANSFORMER,  
JUNCTION BOX -  
117 VOLT, 60 CYCLE

Amplifier, Model 518

28157  
TUBE,  
TYPE 6L6-G

44920  
TUBE,  
TYPE 5U4G

15173  
RECEPTACLE,  
2 PRONG

45405  
RIVET, SHOULDER -  
AMPLIFIER LATCH

58420  
12AU7  
TUBE

40696  
WASHER,  
SPRING

53367  
LATCH,  
AMPLIFIER

41337  
COIL, AIR CORE

53386  
SWITCH, SPEAKER  
FADER CONTROL

36332  
TUBE  
TYPE 6J5

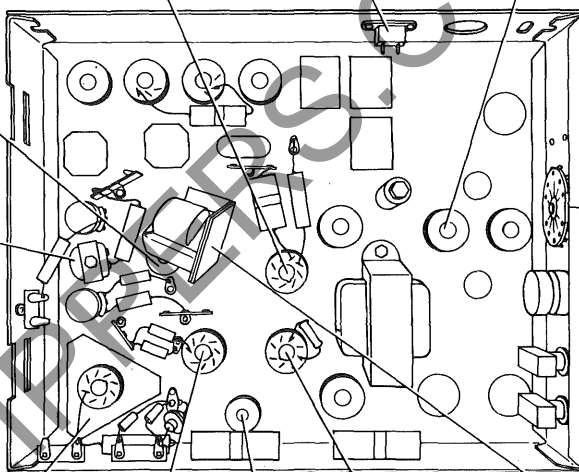
53326  
PLATE, P&S  
SOCKET ASSEMBLY

49360  
TUBE,  
TYPE  
6SJ7

58427  
12AX7  
TUBE

45796  
TUBE,  
TYPE  
6SN7-GT

54957  
INSULATOR



Amplifier, Model 518

Parts Section

73037-21  
CAPACITOR,  
0.3 MFD.,  
± 10%, 100 W.V.

70549-240  
CAPACITOR,  
390 MMFD., ± 10%

73014-44  
CAPACITOR,  
.01 MFD. ± 20%  
400 W.V.

55207  
CHOKE, IRON  
CORE

71766-44  
CAPACITOR,  
.022 MFD. ± 20% 400 W.V.

70534-140  
CAPACITOR,  
100 MMFD., ± 10%

70552-240  
CAPACITOR,  
510 MMFD., ± 10%

73033-24  
CAPACITOR,  
0.1 MFD.,  
± 10%, 400 W.V.

45876  
CAPACITOR, OIL  
IMPREGNATED -  
0.1 MFD., - 5% + 20%  
600 D.C. W.V.

70527-265  
CAPACITOR,  
51 MMFD.,  
± 2.5%, - 150°

73293-110  
CAPACITOR,  
20 MFD., 25 W.V.

71774-44  
CAPACITOR,  
.1 MFD., ± 20%  
400 W.V.

73101-620  
CAPACITOR,  
1.0 MFD.,  
+30 - 10%,  
200 W.V.

49856  
OSCILLATOR  
COIL

53862  
SOCKET, 2 PRONG  
FLUORESCENT

53633  
SOCKET, 4 PRONG  
FLUORESCENT

71960-2  
RESISTOR,  
1250 OHM  
± 10%, 20 WATT

43699  
PAL NUT

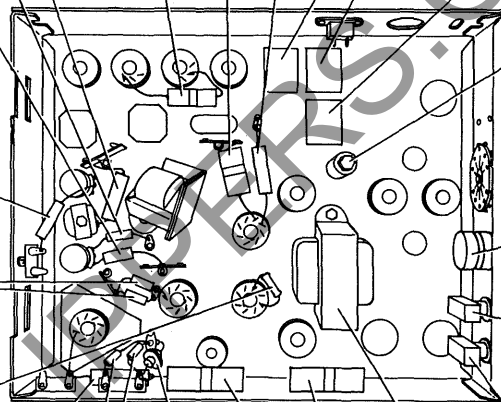
984  
KEY

55186  
VOLUME  
CONTROL

53649  
SWITCH  
PUSH TYPE  
S.P.S.T.

53648  
SWITCH, TOGGLE  
S.P.S.T.

53318  
TRANSFORMER,  
OUT PUT



Amplifier, Model 518

# NUMERICAL PARTS LIST

Part No.	Description	Page No.	Part No.	Description	Page No.
RW49	Key . . . . .	24	49697	Contact Plate . . . . .	10
984	Key, Volume Control . .	28	49701	Coin Chute Assembly, Lower . . . . .	10
10964	Socket, 8 Prong . . . . .	26	49704	Cover Plate, Slug Chute .	10
15173	Receptacle . . . . .	27	49706	Ratchet Wheel Assembly.	9
16072	Washer . . . . .	13	49712	Lever Assembly . . . . .	9
16607	Plug, 6 Prong . . . . .	19	49722	Bracket . . . . .	7
16610	Cap. . . . .	19, 21 22, 25	49726	Switch and Bracket Assembly . . . . .	8
16614	Plug, 8 Prong . . . . .	7	49727	Bracket . . . . .	8
16616	Plug, 5 Prong . . . . .	25	49728	Key Switch and Bracket Assembly . . . . .	8
16625	Cap. . . . .	7	49732	Bracket and Cancel Solenoid Assembly . . . . .	8
24558	Terminal Strip . . . . .	26	49733	Link and Cancel Solenoid Assembly . . . . .	8
28157	Tube, Type 6L6-G . . . .	27	49740	Timing Switch Assembly .	7
32881	Socket, 6 Prong . . . . .	26	49749	Switch . . . . .	7
35055	Spring . . . . .	10	49750	Switch . . . . .	7
35146	Socket, 5 Prong . . . . .	26	49751	Lever and Bracket Assembly	8
36332	Tube, Type 6J5 . . . . .	27	49755	Switch, Full Cycle . . . .	8
38492	Socket, 11 Prong . . . .	21, 26	49761	Plate . . . . .	7
39983	Spring, Escapement Pawl	9	49762	Cancel Pawl Stop Adjustment Pin . . . . .	8
40696	Spring Washer . . . . .	27	49765	Plate . . . . .	9
41337	Coil . . . . .	27	49766	Cover Plate . . . . .	7
43341	Socket, Single Prong . . .	26	49778	Relay . . . . .	7
43699	Palnut 3/8"-32 . . . . .	26, 28	49779	Relay . . . . .	7
44920	Tube, Type 5U4G . . . . .	27	49801	Key Switch and Bracket Assembly . . . . .	8
44928	Starter Switch . . . . .	23	49823	Pin . . . . .	6
45114	Spring, Selector Rod . . .	20	49829	Arm and Pin Assembly . .	6
45117	Switch, Override . . . . .	21	49856	Oscillator Coil . . . . .	28
45352	Fuse Post . . . . .	26	49894	Switch . . . . .	7
45362	Socket, 33 Prong . . . . .	21	49949	Coin Hopper Support Assembly . . . . .	6
45405	Rivet, Shoulder . . . . .	27	49950	Spring, Torsion . . . . .	9
45576	Retaining Ring . . . . .	10	49978	Stud . . . . .	7
45627	Retaining Ring . . . . .	8, 9	50007	Screw, Shoulder . . . . .	8, 10
45663	Coil . . . . .	9	50025	Spring, Cancel Arm Assembly	9
45683	Spring Clip . . . . .	10	50058	Stud . . . . .	9
45782	Escapement Pawl Assembly	9	50107	Contact Arm Assembly . .	10
45787	Coil and Lamination Assembly . . . . .	9	50120	Switch . . . . .	7
45792	Spring, Cancel Pawl . . .	9	50121	Switch, Release . . . . .	8
45796	Tube, Type 6SN7-GT . . .	27	50133	Slug Rejector . . . . .	6
45876	Capacitor, Oil Filled - 0.1 MFD. - 600 W.V. . .	28	50139	Cam, Adjusting . . . . .	6
45985	Lamp #47 . . . . .	22	50151	Spring . . . . .	6, 7
46139	Switch . . . . .	22	51862	Coin Switch . . . . .	10
46191	Spring Clip . . . . .	6	51973	Needle and Capsule Assembly - Red (78 R.P.M.) . . . .	12
46938	Motor Assembly . . . . .	10	52196	Fuse, 15 Amp. . . . .	26
47500	Switch, Release . . . . .	8	52766	Tray Takeout Slide . . .	13
49153	Connector . . . . .	19	52779	Crank Selector . . . . .	20
49360	Tube, Type 6SJ7 . . . . .	27	52780	Plate, Selector Crank . .	20
49442	Slug Rejector Assembly .	6	52786	Wobble Plate, Selector . .	20
49680	Base Casting and Shaft Assembly . . . . .	8	52804	Spacer . . . . .	13
49685	Bell Crank Assembly . . .	10			
49690	Shoulder Bushing . . . . .	10			
49691	Coin Trap Arm . . . . .	10			
49692	Upper Coin Chute and Mounting Bracket Assembly . . . .	10			

Part No.	Description	Page No.	Part No.	Description	Page No.
52810	Pin, Cancellation Lever.	20	53318	Transformer, Output . .	28
52814	Adjusting Nut, Override.	21	53325	Transformer, Amplifier	
52821	Eccentric Nut, Tray Takeout			Power . . . . .	26
	Selector Gear . . . . .	17	53326	Socket and Plate Assembly	27
52839	Shaft, Turntable Drive .	15	53329	Rear Support Plate	
52855	Selector Pin, Lifter Link	16		Assembly . . . . .	16
52858	Washer . . . . .	21	53334	Anchor, Selector Pawl	
52882	Bushing, Lifter Link . .	16		Spring . . . . .	20
52888	Guide Bushing, Lifter Link	16	53335	Spring, Selector Ratchet	
52901	Cover, Micro Switch . .	17, 21		Pawl . . . . .	20
52920	Shaft, Positioning - Tone		53340	Segment Gear . . . . .	16
	Arm . . . . .	12	53342	Selector Gear Assembly.	17
52925	Roller, Selector Cam . .	16	53367	Latch. . . . .	27
52940	Rubber Driver, Turntable	14	53381	Screw, Shoulder - Selector	
52945	Spacer, Turntable Lift .	14		Arm . . . . .	16
52948	Bearing Plate, Turntable		53382	Roller, Selector Arm . .	16
	Lift . . . . .	14	53384	Cam, Tone Arm . . . . .	17
52953	Bearing Housing Assembly,		53386	Switch . . . . .	27
	Turntable . . . . .	14	53390	Washer, Record Drive .	11
52955	Record Stack Shaft		53405	Indexing Wheel and Ratchet	
	Assembly . . . . .	13		Wheel Assembly . . . .	20
52959	Adjusting Stud, Turntable		53406	Index Wheel and Shaft	
	Lift. . . . .	14		Assembly. . . . .	20
52972	Bracket, Tone Arm Lifter		53409	Arm and Pawl Assembly.	20
	Linkage . . . . .	14			
52977	Washer . . . . .	14	53410	Cam Wheel. . . . .	16
52992	Core, Selector Coil . . .	21	53414	Nut. . . . .	14
52995	Roller, Tray Takeout		53437	Trim Cap, Lower Tone	
	Bearing . . . . .	17		Arm . . . . .	12
52998	Shaft, Tray Takeout Levers	17	53463	Spring, Selector Arm . .	16
53027	Shim . . . . .	16	53464	Spring, Lifter Link -	
53036	Lock Stud . . . . .	21		Lower . . . . .	16
53061	Arm, Record Tray Lock		53465	Spring, Lifter Link -	
	(Model 1600) . . . . .	11		Upper. . . . .	16
53065	Post, Lock Arm. . . . .	21	53466	Spring, Index Wheel	
53066	Screw, Shoulder - Gate			Lock Arm . . . . .	21
	Lever . . . . .	11	53467	Spring, Segment Gear. . .	16
53089	Bearing Disc . . . . .	13	53468	Spring, Selector Wheel	
53090	Record Tray (Model 1600)	13		Holding Pawl . . . . .	21
53097	Special Screw - Cancel		53469	Spring, Actuator Lever .	16
	Arm Adjustment. . . . .	20, 21	53470	Spring, Tray Takeout. .	17
53123	Cam, Main. . . . .	17	53471	Spring, Turntable Lift .	14
53246	Mounting Plate and Bearing		53473	Spring, Turntable Assist	14
	Assembly. . . . .	20	53474	Spring, Tray Takeout	
53248	Cancellation and Nut			Selector Gear . . . . .	17
	Assembly. . . . .	20	53475	Spring, Tray Yoke. . . .	17
53250	Yoke Assembly . . . . .	20	53476	Spring, Turntable Idler .	15
53262	Turntable Assembly		53477	Spring, Tone Arm Drive	11
	(Model 1650) . . . . .	14	53478	Spring, Tray Gate. . . .	13
53266	Coil and Holder Assembly	21	53479	Spring, Tone Arm Feed-in	11
53267	Coil, Selector . . . . .	21	53482	Spring, Tone Arm -	
53269	Pawl Lever and Nut			Shift Lever . . . . .	15
	Assembly . . . . .	20	53484	Spring, Selector Drive	
53291	Screw, Shoulder - Gate			Pawl. . . . .	20
	Bell Arm . . . . .	11	53485	Spring, Selector Crank .	21
53297	Gate . . . . .	13	53486	Spring, Selector Cancel.	20
53307	Pin, Positioning Shaft. .	12	53489	Spring, Selector. . . . .	21
53309	Eccentric, Mounting Plate		53500	Spring Cap, Chassis	
	Brace . . . . .	16		Mounting Plate . . . . .	14

Part No.	Description	Page No.	Part No.	Description	Page No.
53518	Retaining Screw, Chassis Mounting Plate . . . . .	14	53819	Cable . . . . .	19
53538	Pivot Bracket and Arm Assembly, Tone Arm Lifter Link . . . . .	14	53823	Spacer Plate. . . . .	13
53539	Bracket and Gear Assembly	17	53825	Pressure Pad Assembly.	11
53544	Tone Control, Treble . . . . .	26	53835	Pin, Upper Tone Arm Shaft	12
53545	Tone Control, Bass . . . . .	26	53842	Spring Cup and Pin Assembly . . . . .	14
53563	Lever, Free Play . . . . .	8	53862	Socket, 2 Prong . . . . .	28
53580	Link . . . . .	14	53869	Shaft, Lever and Cam Assembly . . . . .	16
53587	Ball Bearing, Tone Arms	12	53913	Turntable Lift Assembly	14
53599	Screw, Chassis Mounting Plate . . . . .	14	54008	Knob and Set Screw Assembly . . . . .	13
53601	Pin, Lower Tone Arm Shaft . . . . .	12	54024	Washer . . . . .	17
53611	Spring Washer, Tone Arm	12	54054	Drive Pulley - .025" Wire	18
53612	Spacer. . . . .	12	54055	Drive Pulley - .029" Wire	18
53619	Rod and Pin Assembly Tone Arm . . . . .	14	54078	Spring, Actuator Lever .	16
53633	Socket, 4 Prong . . . . .	28	54106	Alignment Tool . . . . .	14
53648	Switch, Toggle - S.P.S.T.	28	54143	Drive Pulley - .027" Wire	18
53649	Switch, Push - S.P.S.T..	28	54167	Selector Rod, Front . . . . .	20
53654	Thrust Pad. . . . .	18	54169	Selector Rod, Rear . . . . .	20
53657	Drive Pin. . . . .	19	54169	Latch Assembly . . . . .	21
53664	Spring, Clutch Drive . . . . .	18	54270	Plate . . . . .	14
53693	Roller Pin and Hub Assembly . . . . .	15	54277	Cam, Cancellation. . . . .	17
53705	Lever and Hub Assembly	17	54285	Bracket and Pawl Assembly	21
53708	Spring, Clutch. . . . .	18	54394	Actuator Lever and Pawl Assembly . . . . .	16
53709	Arm Assembly Complete	15	54397	Lock Arm Assembly . . . . .	21
53721	Shaft, Lever and Actuating Assembly . . . . .	16	54400	Pin. . . . .	21
53722	Taper Pin . . . . .	16	54436	Stop Post and Rubber Bumper Assembly. . . . .	13
53729	Shaft Assembly Complete - Tone Arm Lifter. . . . .	15	54439	Turntable Drive Motors - 60 Cycle . . . . .	18
53732	Lever, Hub and Nut Assembly . . . . .	14	54459	Flat Spring, Cancel Pawl Rebound . . . . .	8
53733	Link and Pin Assembly .	17	54579	Motor and Mounting Plate Assembly. . . . .	18
53747	Tone Arm and Bracket Assembly, Lower . . . . .	12	54606	Flange, Reject Button. . . . .	23
53762	Spring, Tone Arm - Upper	12	54621	Coil, Coin Return . . . . .	7
53763	Spring, Tone Arm - Lower	12	54662	Coin Return Cup. . . . .	24
53764	Center Mounting Plate .	11	54728	Trip Plate, Lower Tone Arm . . . . .	12
53764	Center Mounting Plate .	15	54791	Selector Assembly . . . . .	20, 21
53766	Ratchet Wheel and Bushing Assembly . . . . .	20	54792	Coin Register Mechanism	7
53769	Line Cord Assembly . . . . .	26	54797	Cam and Adjustment Plate Assembly - Motor . . . . .	17
53771	Spacer Plate. . . . .	13	54801	Drive Shaft Assembly. . . . .	18
53772	Lever and Bearing Assembly	17	54808	Mounting Plate and Hub Assembly . . . . .	19
53773	Wire Assembly, Tone Arm	12	54813	Gear and Shaft Assembly	18
53774	Conical Spring, Chassis Mount . . . . .	14	54815	Mounting Bracket - Record Changer Motor - Left . . . . .	19
53777	Lifter Arm and Extension Assembly . . . . .	16	54816	Mounting Bracket - Record Changer Motor - Right . . . . .	19
53778	Selector Arm Assembly.	16	54817	Gasket. . . . .	18
53780	Selector Cam Assembly.	16	54820	Gear Box Assembly. . . . .	18
53808	Micro Switch . . . . .	17	54823	Motor, Record Changer Drive. . . . .	19
53809	Micro Switch . . . . .	14, 16	54824	Plate Assembly, Front Support. . . . .	17

Part No.	Description	Page No.	Part No.	Description	Page No.
54840	Cover . . . . .	7	56009	Gasket . . . . .	22
54855	Lamp, Fluorescent - 24" - 20 Watt. . . . .	23	56010	Gasket . . . . .	22
54877	Wire and Plug Assembly	21	56225	Coin Box Assembly . . .	24
54878	Plug, 11 Prong . . . . .	21, 22	56325	Fuse, Slo-Blo - 2 Amp. .	26
54888	Bracket, Switch . . . . .	14	56845	Classification Slips, Set.	22
54894	Shaft and Pin Assembly .	14	56910	Mounting Bracket - Record Changer Motor - Left .	19
54900	Screw, Shoulder . . . . .	11	56911	Mounting Bracket - Record Changer Motor - Right.	19
54908	Bracket and Bumper . .	14	56912	Motor, Record Changer Drive . . . . .	19
54918	Shaft Assembly, Tone Arm Feed . . . . .	15	56968	Socket . . . . .	22
54924	Link Assembly, Tone Arm	11	57106	Program Card . . . . .	22
54927	Guide Bracket Assembly	11	57111	Spring . . . . .	22
54928	Drive Wheel, Lever and Link Assembly (Model 1600)	15	57435	Caster . . . . .	25
54930	Main Cam, Tone Arm Cam and Shaft Assembly . .	17	57525	Needle and Capsule Assembly, Green (45 R.P.M.) . . .	12
54936	Lever and Bracket Assembly (Model 1600) . . . . .	11	57844	Arm, Micro Switch . . . .	11
54938	Cable Assembly . . . . .	14	57851	Switch, Muting . . . . .	19
54945	Cable and Plug Assembly	7	57853	Micro Switch . . . . .	11
54955	Link and Pin Assembly .	15	57887	Casting . . . . .	22
54957	Insulator . . . . .	27	57907	Trim Cap, Upper Tone Arm	12
54958	Micro Switch and Bracket Assembly . . . . .	19	57908	Arm, Record Tray Lock (Model 1650) . . . . .	11
54970	Tone Arm and Bracket Assembly, Lower . . . .	12	57917	Record Tray Rest Assembly	13
54999	Spring . . . . .	15	57921	Record Tray (Model 1650)	13
55010	Transformer, Junction Box	26	57924	Mounting Plate, Chassis.	14
55031	Connector Frame and Silk Screen Assembly . . . .	21	57926	Shaft Assembly, Tone Arm Feed (Model 1650) . . . .	15
55034	Drive Wheel, 78 R.P.M..	15	57927	Drive Wheel, Lever and Link Assembly (Model 1650).	15
55036	Drive Wheel, 45 R.P.M..	15	57933	Bracket and Bumper, Gate	13
55040	Drive Wheel, 33-1/3 R.P.M.	15	57940	Top Trim Casting Assembly (Model 1650) . . . . .	11
55122	Turntable Assembly (Model 1600) . . . . .	14	57949	Side Plate and Screw Assembly - L.H. - Chassis	14
55186	Volume Control . . . . .	28	57951	Mounting Plate . . . . .	14
55206	Grease, Alvania #1 . . . .	18	57959	Side Plate and Screw Assembly - R.H. - Chassis	14
55207	Choke, Iron Core . . . . .	28	57963	Mounting Plate . . . . .	25
55227	Spring Coupling Assembly, Clutch . . . . .	18	57965	Back Door Assembly . . .	25
55303	Decal . . . . .	13	57972	Dome Assembly . . . . .	25
55313	Record Play Counter Assembly . . . . .	13	57975	Amplifier, Model 518, Less Tubes . . . . .	26
55365	Arm, Selector Crank . . . .	20	58000	Ballast Assembly, Light.	25
55373	Spacer . . . . .	13	58002	Top Trim Casting Assembly (Model 1600) . . . . .	11
55375	Yoke and Cam . . . . .	13	58003	Motor and Mounting Bracket Assembly . . . . .	19
55380	Slide Bar and Rivet Assembly . . . . .	13	58005	Selector Button . . . . .	23
55381	Bell Crank Assembly, Complete . . . . .	11	58014	Reject Button . . . . .	23
55462	Switch and Bracket Assembly	14	58015	Extension Rod, Reject Button . . . . .	23
55466	Actuator . . . . .	11	58016	Glass, Dome Side . . . . .	24
55473	Hanger and Welding Bolt Assembly . . . . .	19	58017	Glass, Dome Center . . .	25
55555	Shaft, Drive Wheel and Collar Assembly, Turntable . .	14	58018	Plate, Coin Entry . . . .	23
55566	Mount, Rubber . . . . .	18	58019	Glass, Grille - R.H. . . .	23
55617	Mount, Rubber . . . . .	19		Pilaster, Glass - L.H. . .	23
				Pilaster, Glass - R.H. . .	23



Part No.	Description	Page No.	Part No.	Description	Page No.
58020	Grille Screen . . . . .	23	58874	Side Cover - Blue . . . . .	25
58021	Glass, Grille - L.H. . . . .	23	58875	Side Cover - Brown . . . . .	25
58027	Coin Denomination Plate . . . . .	23	58876	Side Cover - Mahogany . . . . .	25
58028	Instruction Plate. . . . .	23	58965	Tone Arm and Bracket Assembly, Upper. . . . .	12
58040	Lock and Key Assembly. . . . .	24	58966	Tone Arm Assembly, Upper . . . . .	12
58046	Card Holder . . . . .	22	59000	Mounting Bracket and Switch Assembly, Free Play. . . . .	22
58051	Light Diffuser, Grille . . . . .	24	59051	Ballast. . . . .	25
58069	Decorative Background . . . . .	23	59014	Brush - 7" Record (Model 1650) . . . . .	12
58079	Valance . . . . .	25	59046	Brush - 10" Record (Model 1600) . . . . .	12
58098	Trim Bracket and Socket Assembly. . . . .	23	59097	Glass, Program . . . . .	22
58100	Wire and Socket Assembly . . . . .	23	70527-265	Capacitor, Ceramic - 51 MMF. . . . .	28
58102	Latch Bar Assembly. . . . .	24	70534-140	Capacitor, Ceramic - 100 MMF. . . . .	28
58104	Wire, Socket and Bracket Assembly. . . . .	24	70549-240	Capacitor, 390 MMF. . . . .	28
58106	Light Diffuser and Bracket Assembly. . . . .	23	70552-240	Capacitor, Ceramic - 510 MMF. . . . .	28
58107	Reflector Assembly . . . . .	24	71766-44	Capacitor - .022 MFD. - 400 W.V. . . . .	28
58109	Program Holder Assembly (1-24). . . . .	22	71774-44	Capacitor - 0.1 MFD. - 400 W.V. . . . .	28
58112	Program Holder Assembly (25-48) . . . . .	22	71960-2	Resistor, Wire Wound - 1250 Ohms, 20 Watt. . . . .	28
58115	Coin Box Door Assembly . . . . .	24	72987-2	Resistor, 100 Ohm, 5 Watt . . . . .	21
58116	Cable and Plug Assembly . . . . .	22	73014-44	Capacitor - .01 MFD. - 400 W.V. . . . .	28
58120	Mounting Channel and Latch Assembly . . . . .	24	73033-24	Capacitor - 0.1 MFD. - 400 W.V. . . . .	28
58124	Side Cover - Blond . . . . .	25	73037-21	Capacitor - 0.3 MFD. - 100 W.V. . . . .	28
58125	Side Cover - Blond . . . . .	25	73101-620	Capacitor, 1.0 MFD. - 200 W.V. . . . .	28
58127	Lock and Key Assembly. . . . .	24	73293-110	Capacitor, 20 MFD. - 25 W.V. . . . .	28
58134	Coin Chute and Mounting Bracket Assembly . . . . .	23	73474	Capacitor, Electrolytic - 20-20-10-20 MFD. 400-400-400-25 W.V. . . . .	26
58135	Speaker and Plug Assembly . . . . .	24	73475	Capacitor, Electrolytic - 30-20-20-25 MFD. 500-400-400-50 W.V. . . . .	26
58138	Selector Switch, Wire and Sleeve Assembly (1-12) or (25-36) . . . . .	22	73601-10	Nut, Adjustment. . . . .	23
58139	Selector Switch, Wire and Sleeve Assembly (13-24) or (37-48) . . . . .	22	73602-77	Nut 1/2"-20 . . . . .	13, 14
58153	Operator's Card. . . . .	23	73604-11	Lockwasher . . . . .	21
58169	Speaker and Plug Assembly . . . . .	24	73605-9	Lockwasher. . . . .	21
58420	Tube, Type 12AU7. . . . .	27	73724-9	Retaining Ring . . . . .	12, 21
58425	Socket, 9 Prong Miniature . . . . .	26	73724-12	Retaining Ring. . . . .	14
58427	Tube, Type 12AX7. . . . .	27	73724-18	Retaining Ring. . . . .	17
58429	Actuator . . . . .	19	73724-25	Retaining Ring. . . . .	14, 15
58473	Plug Assembly, Shorting . . . . .	26	73724-50	Retaining Ring. . . . .	20
58501	Micro Switch and Bracket Assembly. . . . .	19	73728-43	Retaining Ring. . . . .	12
58502	Motor and Mounting Bracket Assembly. . . . .	19	73728-68	Retaining Ring. . . . .	20
58539	Cone and Voice Coil Assembly. . . . .	24	73734-12	Nut 3/8"-24 . . . . .	21
58546	Lock Assembly, Back Door . . . . .	25			
58564	Cone and Voice Coil Assembly. . . . .	24			
58865	Side Cover - Brown . . . . .	25			
58866	Side Cover - Blue . . . . .	25			
58867	Side Cover - Red . . . . .	25			
58868	Side Cover - Mahogany . . . . .	25			
58873	Side Cover - Red . . . . .	25			

FLIPPERS.COM