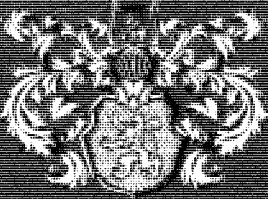


PRICE \$3.00
PART NO. 3745

WURLITZER P H O N O G R A P H



SERVICE MANUAL

Models of the **2600 SERIES**

*Hi-Fidelity
and
Stereophonic*



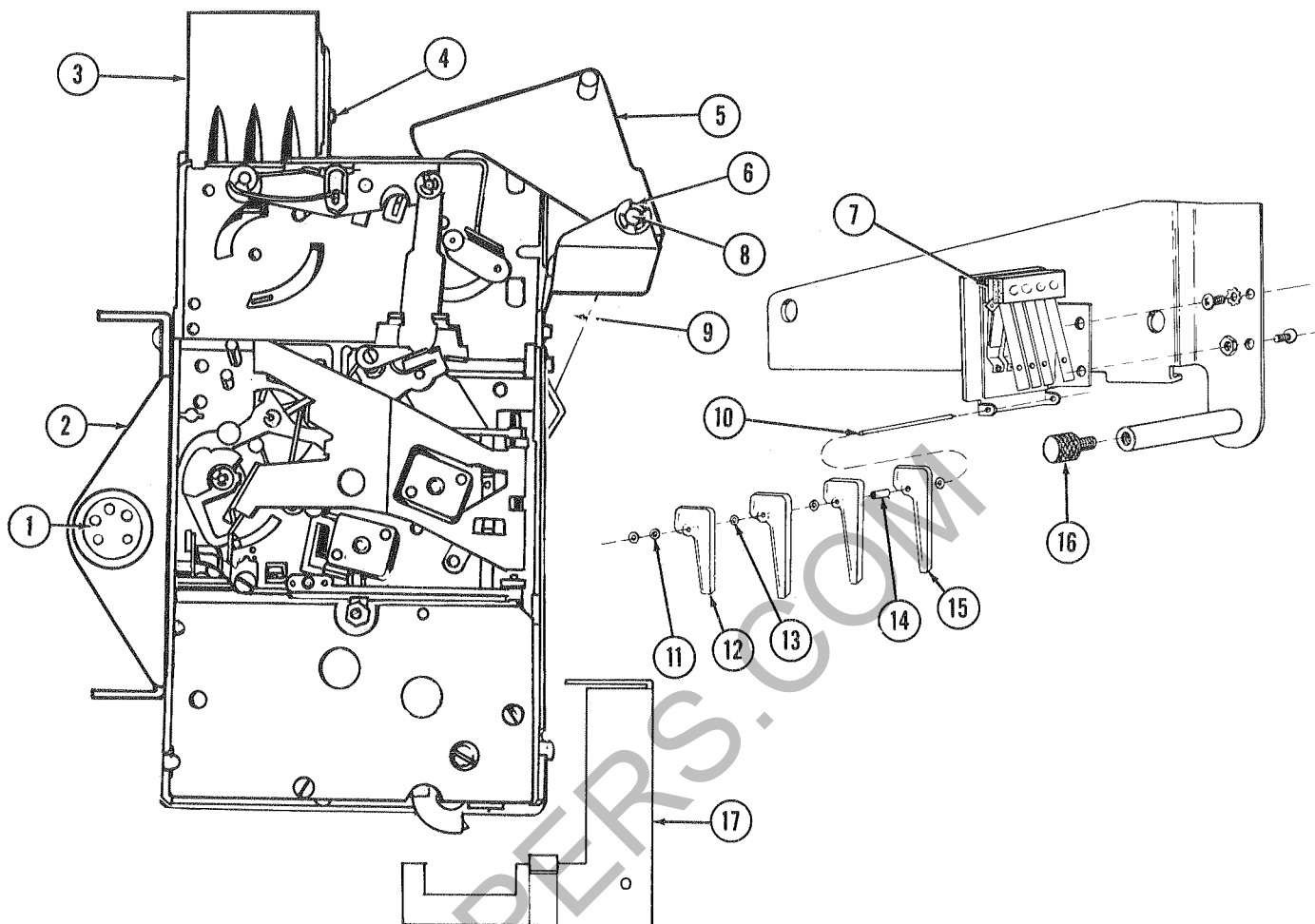


FIG. 84 SLUG REJECTOR ASSEMBLY AND COIN SWITCH ASSEMBLY

1.	Plug, 5 prong	13089
2.	Bracket	120951
3.	Lower Coin Chute Assembly	68552
4.	Shaft	68711
	Spring Washer	73632-4
	Retaining Ring	73724-18
5.	Pin and Actuator Assembly	120964
6.	Retaining Ring	73724-25
7.	Coin Switch Assembly	119107
8.	Shaft	68300
	Spring	119025
9.	Mounting Plate and Spring Catch Assy.	120960
10.	Shaft	119107-C
11.	Iron Washer (2)	119107-E
12.	Short Paddle	119107-B
13.	Copper Washer (3)	119107-F
14.	Spacer	119107-D
15.	Long Paddle (3)	119107-A
16.	Thumb Screw	35745
17.	Guard-Coin Switch	110875

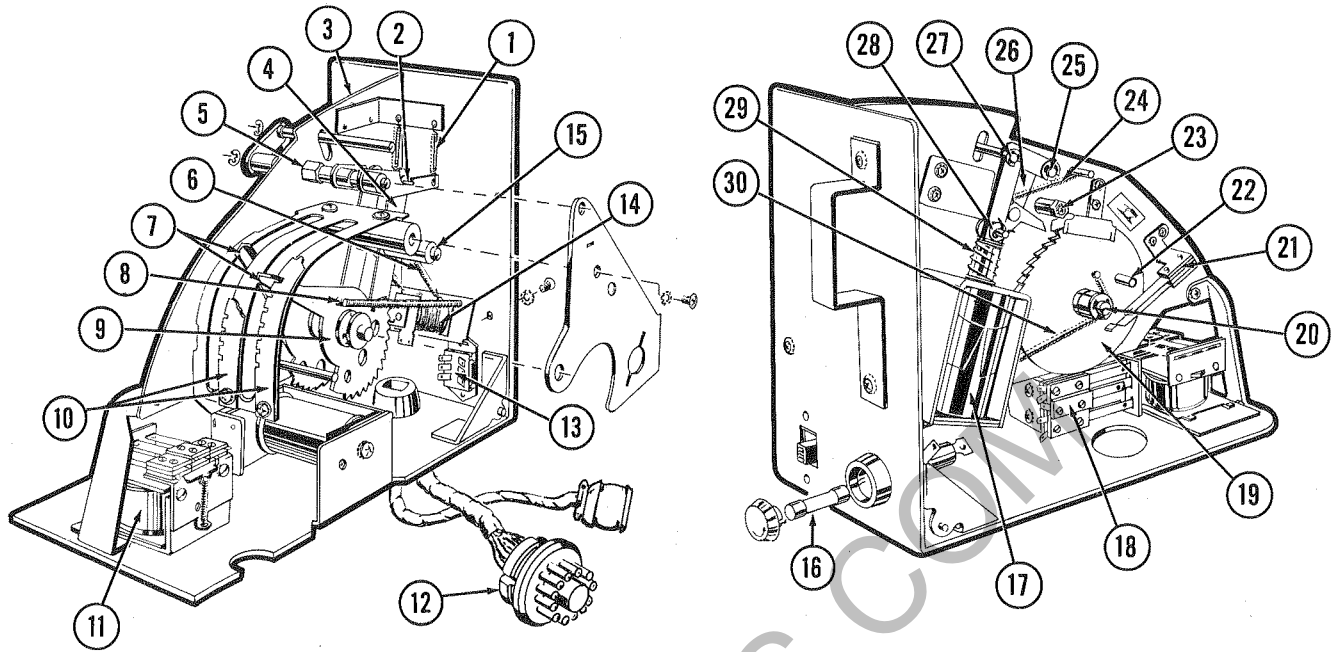


FIG. 85 COIN REGISTER ASSEMBLY (PLAYRAK)

1. Spring (2)	62145	17. Solenoid, Cancel	65069
2. Hub and Lever Assembly, Lockout	66130	18. Relay, TR #1	112494
3. Front Plate and Shaft Assembly	66122	19. Cancel Wheel Assembly	66124
4. Lever, Hub and Stud Assy., Magnet Armature (2)	66129	20. Retaining Ring	73724-25
5. Mounting Stud, Lockout Lever	66049	21. Switch Assembly	66082
6. Spring, Armature Return (2)	58781	22. Screw, Switch Actuator, 4-40 x 1/2" R.H. Nylon	74288-6
7. Stop Lever and Spring Assembly	66132	23. Adjusting Cam	42860
8. Spring, Accumulator Wheel (2)	66074	24. Spring, Cancel Pawl	62145
9. Accumulator Wheel and Hub Assembly	66131	25. Pivot Pin, Pawl	63623
10. Indexing Strip and Silk Screen Assy. 25¢	66133	Retaining Ring	73724-21
Indexing Strip and Silk Screen Assy. 10¢ - 50¢	66135	26. Pivot Arm & Pawl Assembly	66125
11. Relay, Pulse	69244	27. Retaining Ring	73724-15
12. Plug, 12 prong	114324	28. Pin, Solenoid Plunger	65947
13. Slide Switch	62886	29. Spring, Solenoid Plunger	66072
14. Coin Magnet and Bracket Assembly	66128	Link, Solenoid Plunger	66065
15. Retaining Ring (2)	73724-18	Cotter Pin	23355
16. Fuse Post	51485	Eyelet (2)	66070
Fusetron, 8/10 ampere Slow Blo	71591-10	30. Spring, Cancel	66071

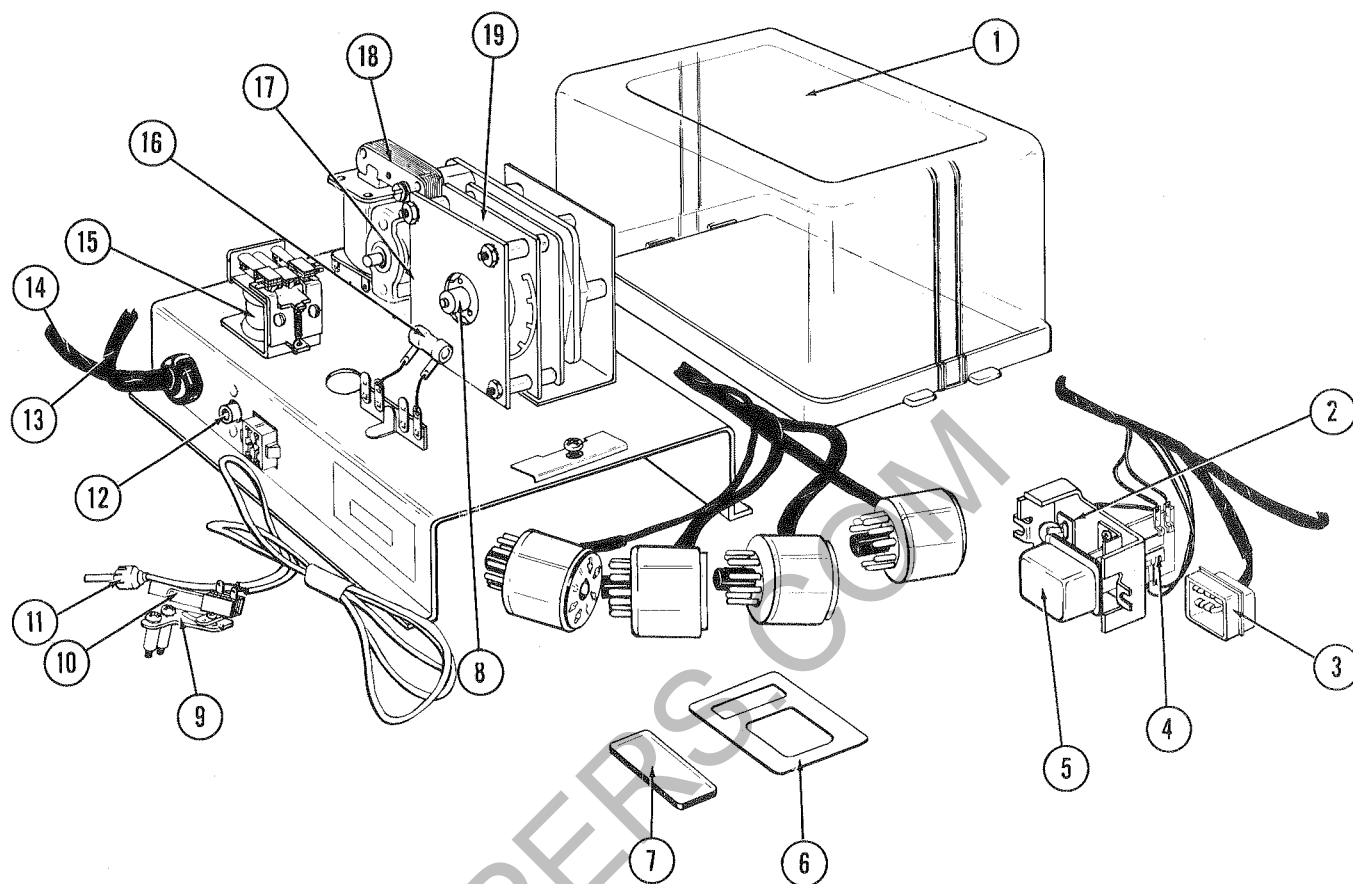


FIG. 86 AUTOMATIC PROGRAMING ASSEMBLY
TOP TUNES SELECTOR

1. Cover	65801	Screw, 3-48 x 3/8" R.H. (2)	73503-15
2. Socket	111817	Screw, 4-40 x 1/4" R.H.	7333-2
Lamp, G.E. No. 12, 6.3 V.	111816	Nut, 4-40, Hex	73601-3
3. Cap, 6 circuit	113527	11. Plug	55391
Socket, 6 circuit	113528	12. Socket	43341
Contact	111527	13. Cable, Socket and Tape Assy. (162-C)	121252
4. Switch	120764	Cable, Socket and Tape Assy. (162-D)	121253
5. Button, Top Tunes	120754	14. Cable, Socket and Label Assy.,	
6. Select Plate	120755	Coin Mech.	121251
7. Window and Silk Screen Assy.	120756	15. Relay	119464
8. Contact Spring and Hub Assy.	119266	16. Resistor 150 ohm, 5W.	71883-2
9. Mounting Bracket and Stud Assy.	119357	17. Contact Plate Assembly	119351
Screw, 6-32 x 5/8 R.H.	73533-27	18. Motor	119275
10. Switch Assembly	68601	Roll Pin	73782-4
Mounting Bracket	119356	19. Contact Plate and Wire Assy. and	
(Cont. next column).		Printed Board	119753

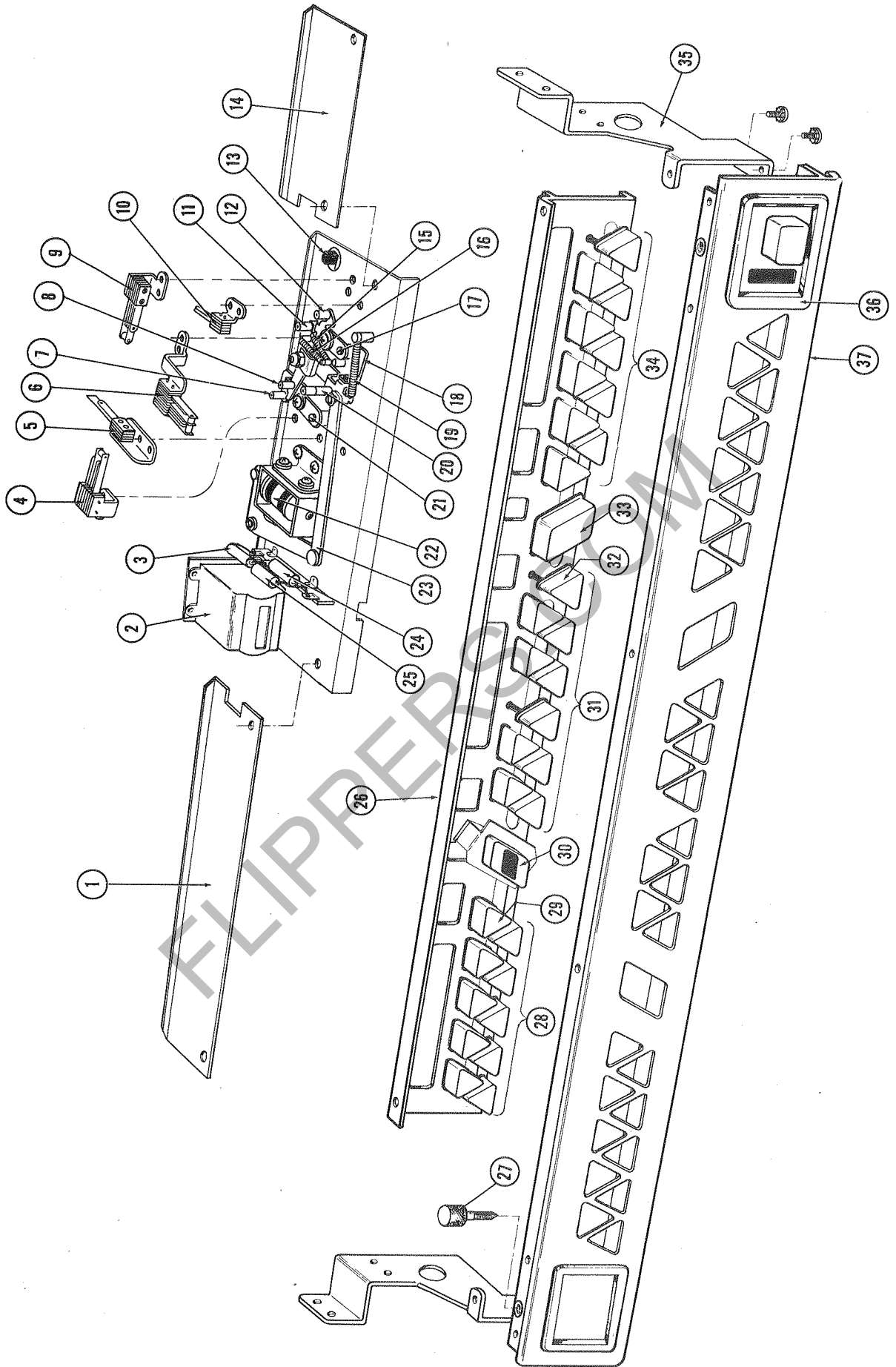
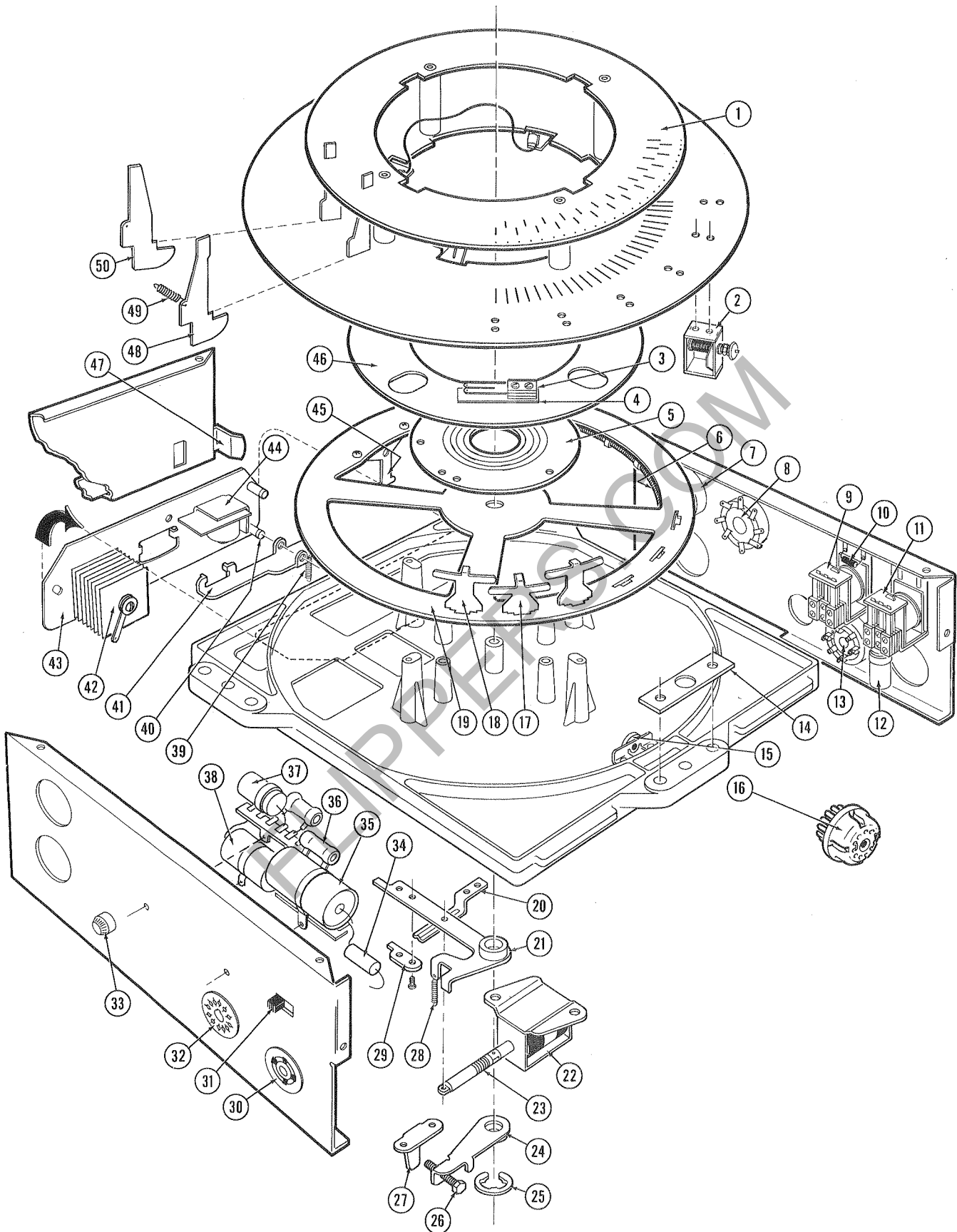


FIG. 87 SELECTOR SWITCH ASSEMBLY

 FIG. 87 SELECTOR SWITCH ASSEMBLY.

	2600	2610		2600	2610
1. Light Deflector, L.H.	120649	120648	30. Select Button	116317	116317
2. Counter & Bracket Assy.	120558	120558	Box, Select Light	120572	120572
3. Capacitor .22 Mfd., 400 V. 74325-24	74325-24	74325-24	Cover, Select Light	120573	120573
4. Switch Assembly, Latch	60518	68601	Light Socket and Wire Assy.	121352	121352
5. Switch Assembly, Letter Series	64981	64981	Lamp #44	24689	24689
6. Switch Assembly, Control	56704	65007	31. Button Assy., 1 through 5	120823	120843
7. Pawl, Stud & Spacer Assy., Letters	65009	65009	thru	120827	120847
8. Trip Lever, Stud & Spacer Assy., Letters	117694	117694	Button Assy., 6 through 0	120828	120828
9. Switch Assembly, Latch	60518	68601	thru	120833	120833
10. Switch Assy., Number Series R.H.	64982	64982	Complete Set of Buttons	120813A	120813B
11. Pawl, Spring Stud & Spacer Assy., Numbers	117691	117691	32. Selector Switch, Numbers	120503	120505
12. Trip Lever & Spacer Assy., Numbers	117695	117695	Connector Link, Number Switch	116255	116252
13. Slide Switch, Spring Return	116723	116723	Adjusting Clip, Number	116369	116369
14. Light Deflector, R.H.	120646	120647	33. Reset Button	116318	116318
15. Spring, Number Latch	120067	120067	Reset Switch	120555	120555
16. Spring, Letter Latch	57129	57129	34. Button Assy., L through V	120833	*
17. Shaft, Link & Lever Assy., Numbers	111898	111898	thru	120842	*
18. Stop Bracket	56628	56628	35. Mounting Bracket, R.H.		
Rubber Grommet	117689	117689	Selector Extrusion	120570	120570
19. Spring Solenoid Return	57130	57130	Mounting Bracket, L.H.		
20. Release Lever, Stud & Spacer Assy.	56713	56713	Selector Extrusion	120567	120567
Retaining Ring	73724-15	73724-15	36. Window Casting & Latch		
21. Shaft, Link & Lever Assy., Letters	111897	111897	Plate Assembly (2)	120595	120595
Taper Pin, 6/0 x 7/16"	65362	65362	Clip (2)	120593	120593
22. Solenoid, Switch Interlock	112104	112104	Coin Denomination Plate		
Plunger, Solenoid	112104-1	112104-1	7/50¢ - 3/25¢ - 1/10¢		
Pin, Solenoid Plunger	65947	65947	or 2 nickels	120591	120591
Cotter Pin	23355	23355	Coin Denomination Plate,		
23. Crank & Link Assembly	111720	111720	10/50¢ - 5/25¢ - 1/10¢	120974-S	120974-S
Retaining Ring	73724-18	73724-18	or 2 nickels		
24. Resistor, 150 Ohm, 5W	71883-2	71883-2	Coin Denomination Plate,		
25. Resistor, 85 Ohm, 5W	71886-3	71886-3	9/50¢ - 4/25¢ - 1/10¢	120975-S	120975-S
26. Mounting Channel and Bracket Assembly	120783	120784	or 2 nickels		
Light Diffuser	121023	121023	Coin Denomination Plate,		
27. Lock Screw	120592	120592	10/50¢ - 4/25¢ - 1/10¢	120976-S	120976-S
28. Button Assy., A through K	120813	120813	or 2 nickels		
thru	120822	120822	Coin Denomination Plate,		
thru	120504	120506	5/25¢ - 2/10¢, 1/5¢	120542	120542
29. Selector Switch, Letters	120504	120506	Instruction Plate		
Connector Link, Letter Switches	116260	116259	Half Dollars, Quarters,		
Adjusting Clip, Letters	112417	112417	Dimes, Nickels	120590	120590
			Instruction Plate		
			Quarters, Dimes, Nickels	120543	120543
			37. Extrusion and Stop Nut Assy.	120664	120804



◀ FIG. 88 ELECTRIC SELECTOR, 2610

1. Plate and Spacer Assembly	115909	25. Retaining Ring	73724-50
2. Solenoid, Selector (20)	64602	26. Screw, 8-32 x 7/8" Hex Hd.	73793-87
3. Override Switch (4)	115918	27. Stop, Centering Yoke	115824
4. Insulator, Override Switch (4)	64595	28. Spring (2)	115821
5. Contact Plate Assembly	66186	29. Guide Plate, Centering Yoke	115822
6. Spring, Rotating Plate	115973	30. Socket, 4 Prong	30495
7. Socket, 12 Prong (5)	114325	31. Slide Switch	116724
8. Socket, 8 Prong	10964	32. Socket, 12 Prong (5)	114325
9. Relay, Reverse	69240	33. Fuse Post	51485
10. Resistor, 2200 Ohm, 1/2W	72200-32	Fuse 8/10 Amp., Slow Blo	71591-10
11. Relay, Timing #2	64711	34. Capacitor, .022 Mfd., 400V	71220-24
12. Capacitor, .1 mfd., 400 V.	73093-142	35. Capacitor, 150 Mfd., 50V	73889-620
13. Socket, 6 Prong	32881	36. Resistor, 50 Ohm, 5W (2)	72986-2
14. Guide, Selector Mounting Stud	61850	37. Capacitor, .1 Mfd., 400V	73093-142
15. Roller Assembly (3)	64630	38. Capacitor, 100 Mfd., 50V	73862
16. Plug and Wire Assembly	121319	39. Spring, Stop Arm	64773
Socket, 11 Prong (5)	38492	40. Stop Pivot	64649
17. Rocker, Short (10)	117692	41. Stop Arm and Rivet Assembly	115862
18. Rocker, Long (10)	115788	42. Rectifier, Selenium	118664
19. Rotating Plate	115787	43. Mounting Plate and Spring Stud Assy.	117986
20. Guide, Centering Yoke	115823	44. Magnet and Frame Assembly	117987
21. Centering Yoke, Hub and Pin Assembly	115802	45. Stop Bracket, Selector	115789
22. Solenoid, Driver (2)	115975	46. Wobble Plate	115796
23. Spring and Plug Assembly	64783	47. Latch Bar, Junction Box	115837
24. Adjustment Bracket, Hub and Stop Nut Assembly	115798	48. Latch Pin, Inner (50)	115806
		49. Spring (100)	110
		50. Latch Pin, Outer (50)	115807

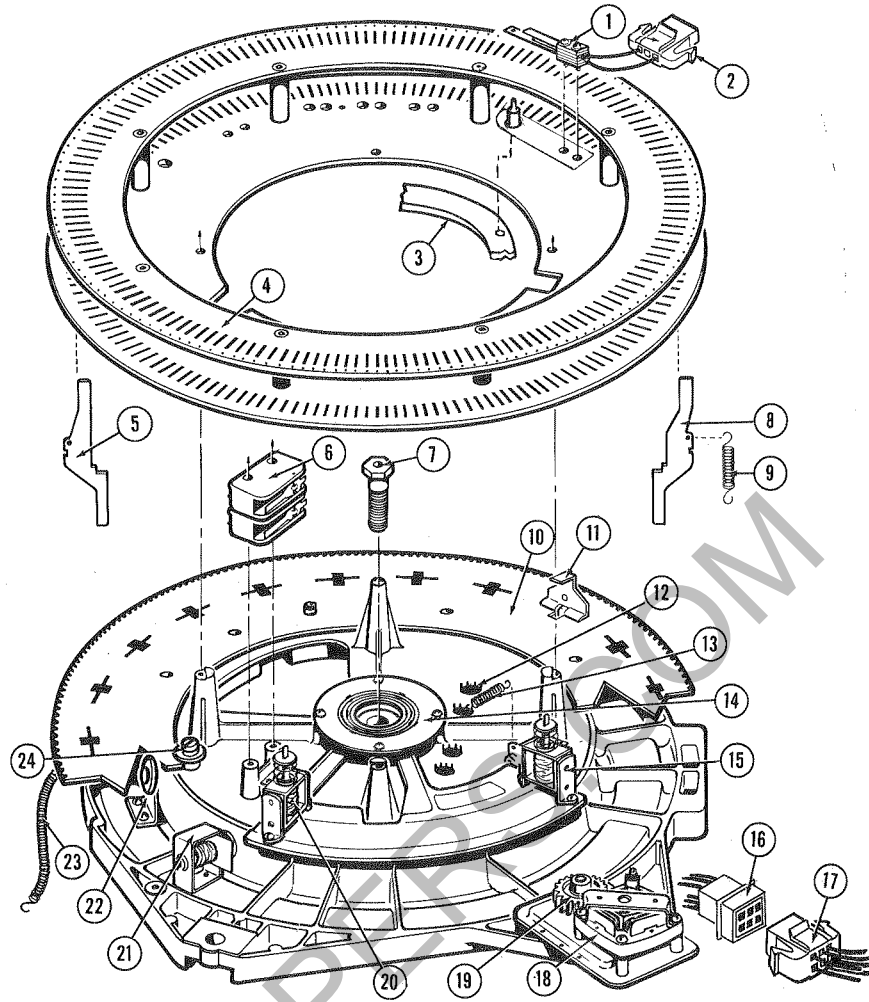


FIG. 89 ELECTRIC SELECTOR, 2600

1. Switch Assembly, Override (4)	65952	15. Solenoid, Selector Stop (1)	68804
Insulator, Override Switch, Top	69839	Plunger	68608
Insulator, Override Switch, Bottom	69841	Washer	64766
2. Socket, 3 circuit	117824	Spring	64780
Cap, 3 circuit	117823	Internal Hair Pin	74402-1
3. Wobble Ring	67927	16. Cap, 6 circuit	113527
Spacer (4)	68650	17. Socket, 6 circuit	113528
4. Selector Plates and Spacer Assembly	111027	Contact (10)	111527
5. Latch Pin, Inner (100)	110941	18. Motor and Gear Assembly	111913
6. Micro Switch (2)	110558	19. Gear and Hub Assembly	68717
7. Stud	69246	Roll Pin	73782-32
Lock Washer	73607-13	20. Solenoid, Selector Stop (9)	68617
Nut, 1/2" - 20	73602-77	21. Solenoid, Selector (20)	68594
Shoulder Screw (2)	68649	Plunger	68496
8. Latch Pin, Outer (100)	110942	Washer	64766
9. Spring, Latch Pin (200)	110480	Spring	64780
10. Rotating Plate	67920	Internal Hair Pin	74402-1
11. Rocker, Rotating Plate, (20)	67926	22. Bracket and Roller Assembly (3)	68651
12. Plug, 11 prong	48501	23. Spring, Rotating Plate	68755
Socket, 11 prong (3)	38492	24. Roller, Guide (3)	68656
13. Spring, Number Quadrant	62773	Stud, Eccentric, Guide Roller	69659
14. Contact Plate Assembly	66186	Stud, Guide Roller (2)	68657
		Retaining Ring (3)	73724-31

(Cont. next column).

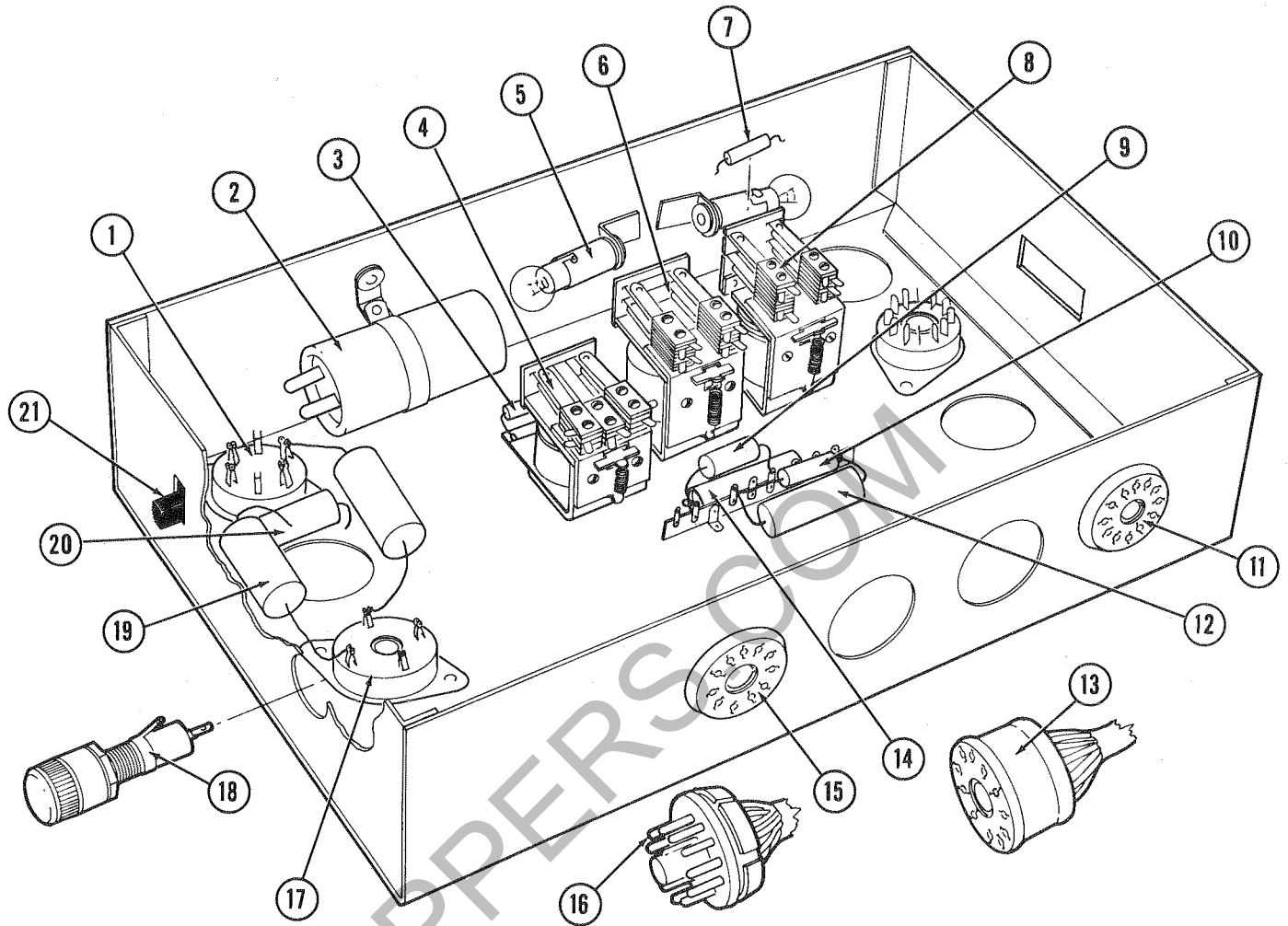


FIG. 90 JUNCTION BOX - 2600

- | | | | |
|--|-----------------|-----------------------------------|----------|
| 1. Socket, 6 Prong | 32881 | 12. Capacitor, .1 Mfd. 200V. | 71227-12 |
| 2. Capacitor, 75 Mfd. A.C. | 70901 | 13. Socket, 11 Prong | 58898 |
| 3. Resistor, 2200 Ohm 1/2 Watt | 72200-32 | 14. Capacitor, 20 Mfd. 50V. | 73864 |
| 4. Relay, Reverse | 65750 | 15. Socket, 11 Prong | 38492 |
| 5. Lamp Socket Assembly (2)
Lamp, Number 55 (2) | 110453
67439 | Plug and Wire Assembly - Shorting | 121319 |
| 6. Relay, Timing, Number 3 | 118467 | 16. Plug, 11 Prong (4) | 54878 |
| 7. Resistor, 120 Ohm 1 Watt | 72314-32 | 17. Socket, 4 Prong | 30495 |
| 8. Relay, Timing, Number 2 | 68942 | 18. Fuse Post | 51485 |
| 9. Resistor, 50 Ohm 5 Watt | 72986-2 | Fuse, .8 Amp. Slow Blo | 71591-10 |
| 10. Resistor, 27 Ohm 1 Watt | 72298-32 | 19. Capacitor, .1 Mfd. 400V. (2) | 71227-14 |
| 11. Socket, 12 Prong (8) | 114325 | 20. Capacitor, .022 Mfd. | 71220-24 |
| | | 21. Switch, Slide Type | 116724 |

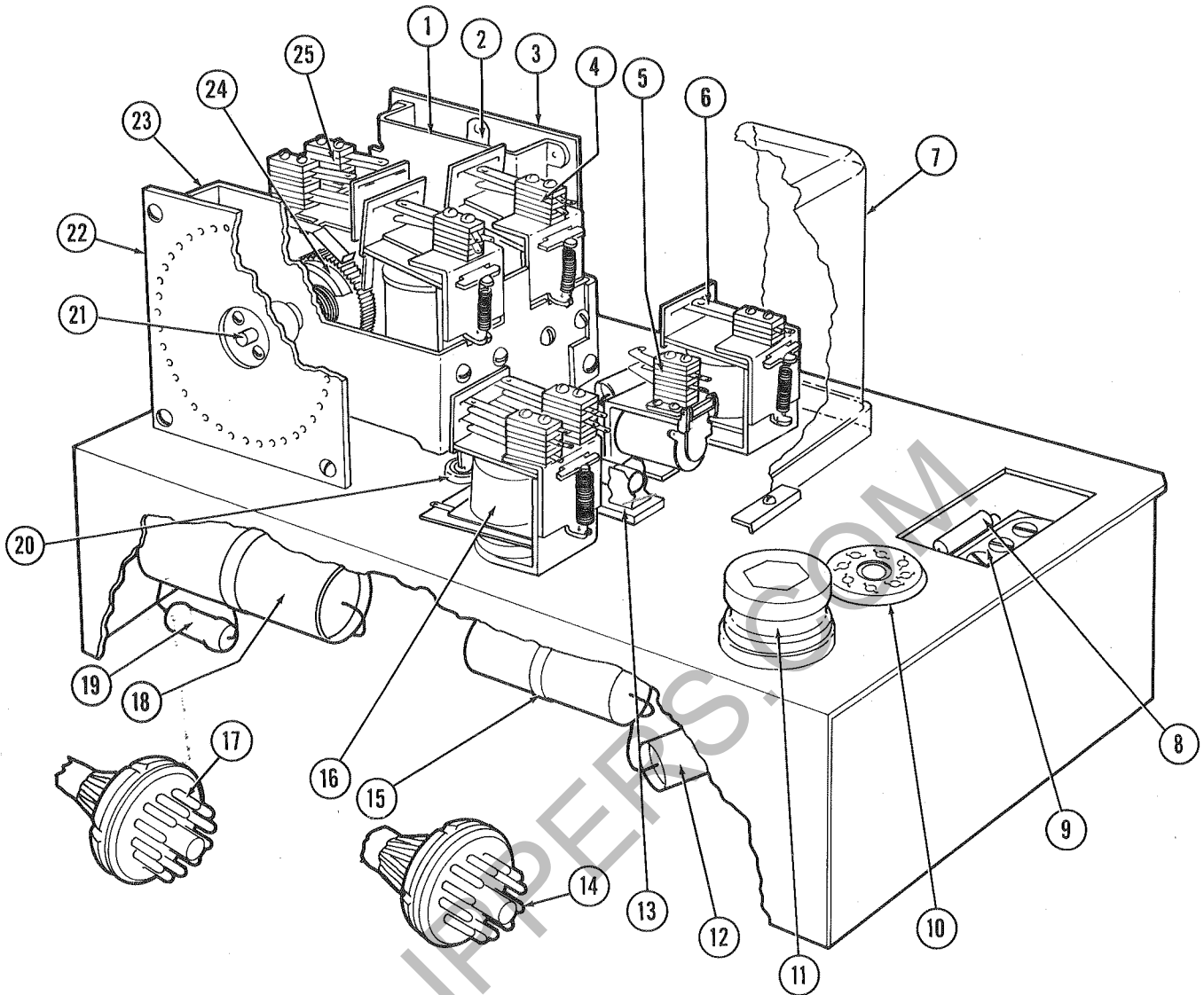


FIG. 91 MODEL 261 STEPPER

1. Frame, Number Contact Plate	114346-J	13. Fuse Clip	4660*
2. Contact Wiper Arm, Letter or Number	114346-G	Fuse, 5/10 ampere, Slow Blo	71591-C
3. Contact Plate, Number	114346-E	14. Plug, 12 prong (3)	114324
4. Step Magnet, Letter or Number Pawl Armature	114346-B 114346-BA 114346-BB	15. Capacitor, .5 mfd., 400 V.	73099-240
Contact Assembly	114346-BC	16. Relay, Transfer	118551
5. Relay, Pulse Contacts	117048 117048-A	17. Plug, 11 prong	54878
6. Relay, Timing	118553	18. Capacitor, 500 mfd., 50 V.	71816
7. Cover, Plastic Box	65801	19. Resistor, 50 ohm, 5 W.	72986-2
8. Capacitor, .01 mfd., 400 V.	71217-14	20. Grommet (3)	60574
9. Terminal Strip	68920	Cup Washer (6)	60575
10. Socket, 8 prong	10964	21. Stepper, Dual	114346
11. Socket, Fustat	61857 61858	22. Contact Plate, Letter	114346-F
Fustat, 3 ampere	61858	23. Frame, Letter Contact Plate	114346-K
12. Capacitor, 4 mfd., 250 V.	73835-55	24. Nylon Ratchet Wheel, Letter Nylon Ratchet Wheel, Number Teflon Shim Washer	114346-D 114346-C 61004-A
		25. Release Relay Armature and Pawl Spring	114346-A 114346-AA

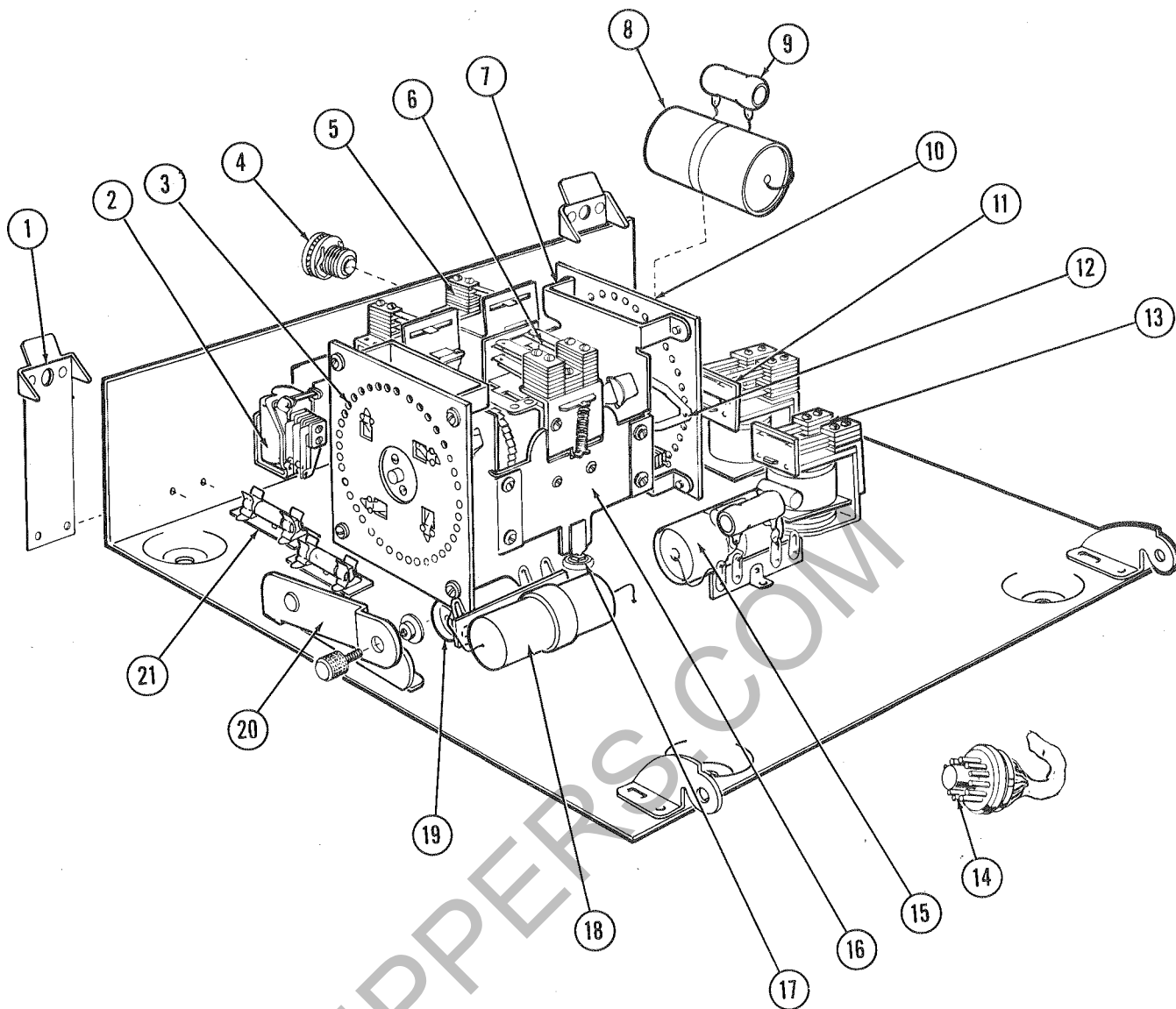


FIG. 92 MODEL 259-A STEPPER

1. Spring and Clip Assembly (2)	115832	10. Contact Plate Assembly, 2 circuit	114528-E
2. Relay, Pulse	117048	11. Relay, Transfer	118450
Contacts	117048-A	12. Contact Arm Assembly, 2 circuit	114528-G
3. Contact Plate Assy., 4 circuit	114528-F	Nylon Ratchet Wheel, 2 circuit	
Contact Arm Assy., 4 circuit	114528-H	Contact Arm	114346-D
Nylon Ratchet Wheel, 4 circuit		13. Relay, Timing	118447
Contact Arm	114346-C	14. Plug, 11 prong (4)	54878
Frame, 4 circuit Contact Plate	114346-J	15. Capacitor, 100 mfd., 50 V.	73862
4. Fustat, 3 ampere	61858	16. Stepper, Dual	114528
Socket, Fustat	61857	17. Grommet (3)	60574
5. Step Magnet (2)	114346-B	Cup Washer (6)	60575
Pawl	114346-BA	18. Capacitor, .5 mfd., 400 V.	73099-240
Armature	114346-BB	19. Capacitor, 4 mfd., 250 V.	73835-55
Contact Assembly	114346-BC	20. Fall Support Assembly	115825
6. Relay, Release Latch	114346-A	Spacer	115831
Armature and Pawl Spring	114346-AA	Thumb Screw	59280
7. Frame, 2 circuit Contact Plate	114346-K	21. Fuse Clip (2)	46602
8. Capacitor, 250 mfd., 50 V.	71499	Fuse 5/10 ampere Slow Blo	71591-6
9. Resistor, 25 ohms, 5 W. (3)	71887-2	Fuse 8/10 ampere Slow Blo	71591-10

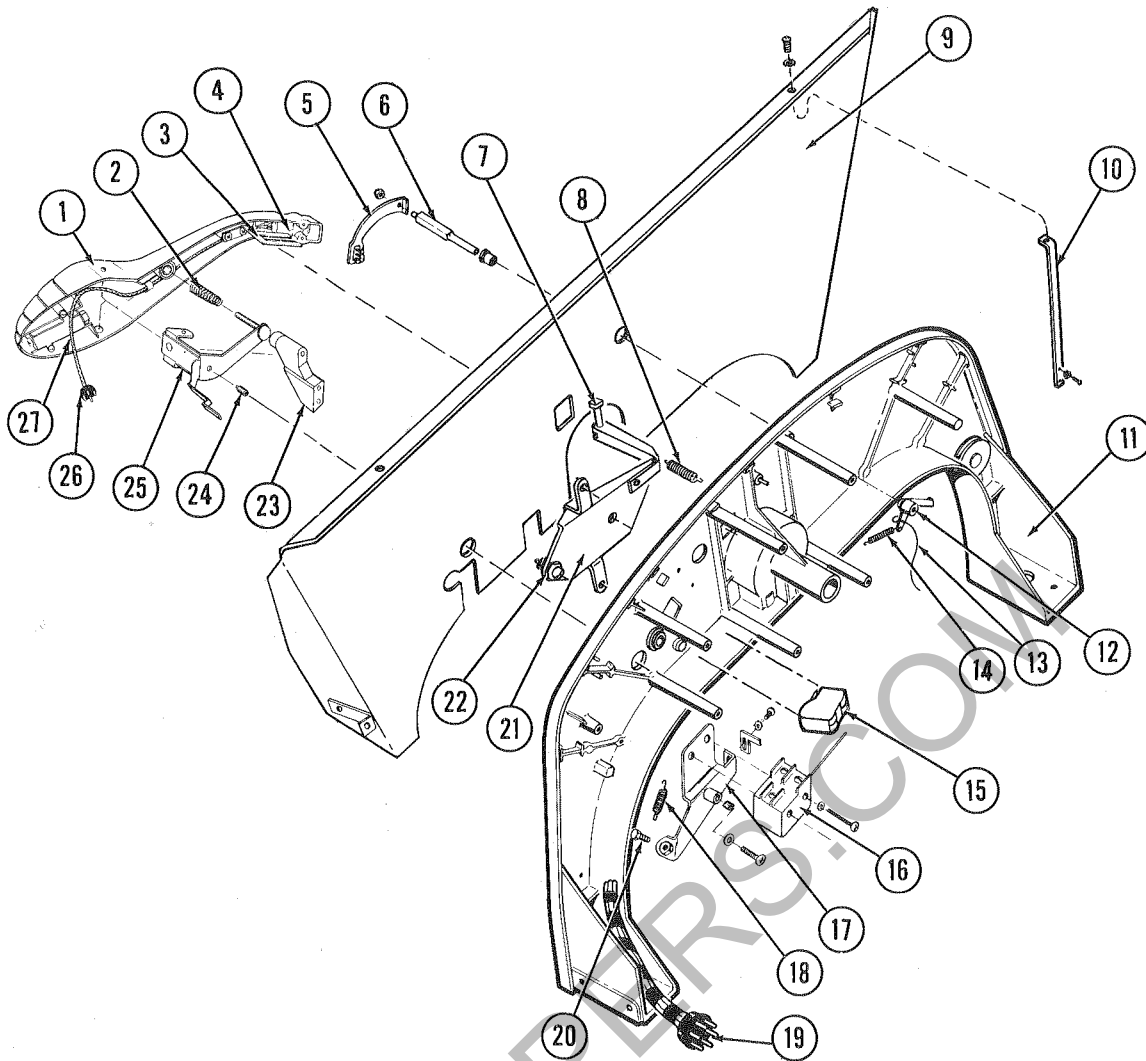


FIG. 93 TOP SUPPORT CASTING - 2600

1. Tone Arm and Wire Assembly	120448	14. Spring, Needle Brush	59607
2. Spring, Tone Arm Pressure	114484	15. Safety Switch, Micro	60655
Spring Cup	121227	Insulator	59900
Nut, Nylock, Adjusting	73865-8	Screw, 6-32 x 1" R.H.	73533-30
3. Latch Bracket	64423	16. Trip Switch, Micro	121229
4. Cartridge, Sonotone	116725	Screw, 6-32 x 7/8" R.H.	73533-29
Needle, Double Sapphire Tip	116727	17. Bracket and Stop Nut Assy., Trip	
Rubber Washer (4)	59351	Switch	121249
Washer (2)	50494	Bushing	59411
Screw, 4-40 x 5/16" R.H. (2)	73503-24	Screw, 8-32 x 1-1/4" R.H.	73503-95
5. Arm, Needle Brush	120455	18. Spring, Trip Switch Bracket	59615
Brush	119080	19. Plug, 6 prong	16607
Acorn Nut	50324	20. Screw, Trip Adjusting, 8-32 x 3/4"	
6. Shaft, Needle Brush Arm	120438	Hex Hd.	73793-86
7. Stop Pin, Tone Arm	115660	21. Bracket and Stop Nut Assy., Tone	
8. Spring, Tone Arm Release Bracket	65096	Arm Release	120435
9. Decorative Background	120440	22. Adjusting Screw, Nylon, 8-32 x 3/4"	
10. Bracket, Decorative Background,		R.H.	74288-26
Upper (2)	120441	23. Mounting Casting and Pin Assy.	120452
Bracket, Lower (2)	120926	24. Pivot Screw	59394
11. Support Casting and Bushing Assy.	113199	25. Gimbal and Stop Nut Assy.	120451
12. Hub and Lever Assy., Tone Arm Brush	59483	26. Plug, 4 prong	69089
13. Cable, Needle Brush	59888	27. Wire and Plug Assembly	114323
Sleeve, Needle Brush Cable	59881	Connector (3)	113325

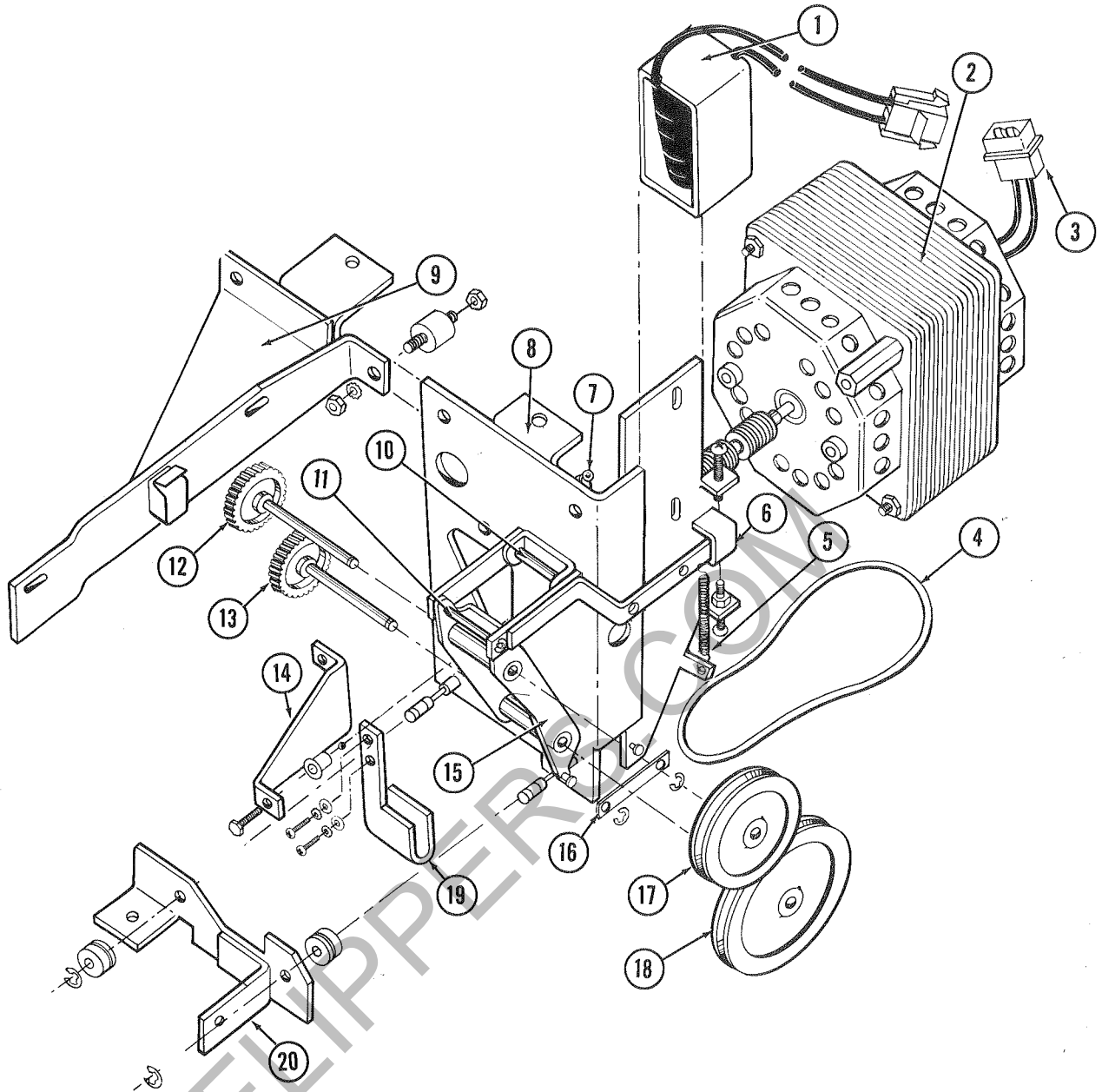


FIG. 94 TURNTABLE MOTOR AND MOUNTING BRACKET ASSEMBLY

1. Solenoid	121095	12. Gear and Shaft Assy., R.H., 33-1/3 R.P.M.	119744
Plunger	121095-1	13. Gear and Shaft Assy., L.H., 45 R.P.M.	119745
Pin	121240	14. Support Bracket and Stop Nut Assy.	121059
Cotter	23355	Tip	119779
2. Motor and Worm Assembly	119790	Eyelet	120255
3. Cap, 3 circuit	117823	Steel Ball	119829
Contact	113789	Screw, 8-32 x 3/4" Hex	73660-86
4. "O" Ring, 33-1/3	119823	15. Mounting Channel & Bushing Assy.	119792
"O" Ring, 45	119824	16. Link	119770
5. Spring, Selector Lever	119842	Retaining Ring (2)	73728-12
6. Selector Lever and Yoke Assembly	119795	17. Pulley, 33-1/3	119751
7. Oil Tube	119051	18. Pulley, 45	119750
8. Mounting Plate and Stop Nut Assembly	119788	Shim Washer	119789
9. Upper Mounting Bracket	117794	Set Screw, 6-32 x 3/16"	73513-19
Rubber Mount (2)	60882	19. Support Bracket	119769
10. Hinge Pin	119772	20. Lower Mounting Bracket & Angle Assy.	119758
11. Pivot Pin	119767	Grommet (2)	49884
Retaining Ring	73728-18	Retaining Ring	73724-25

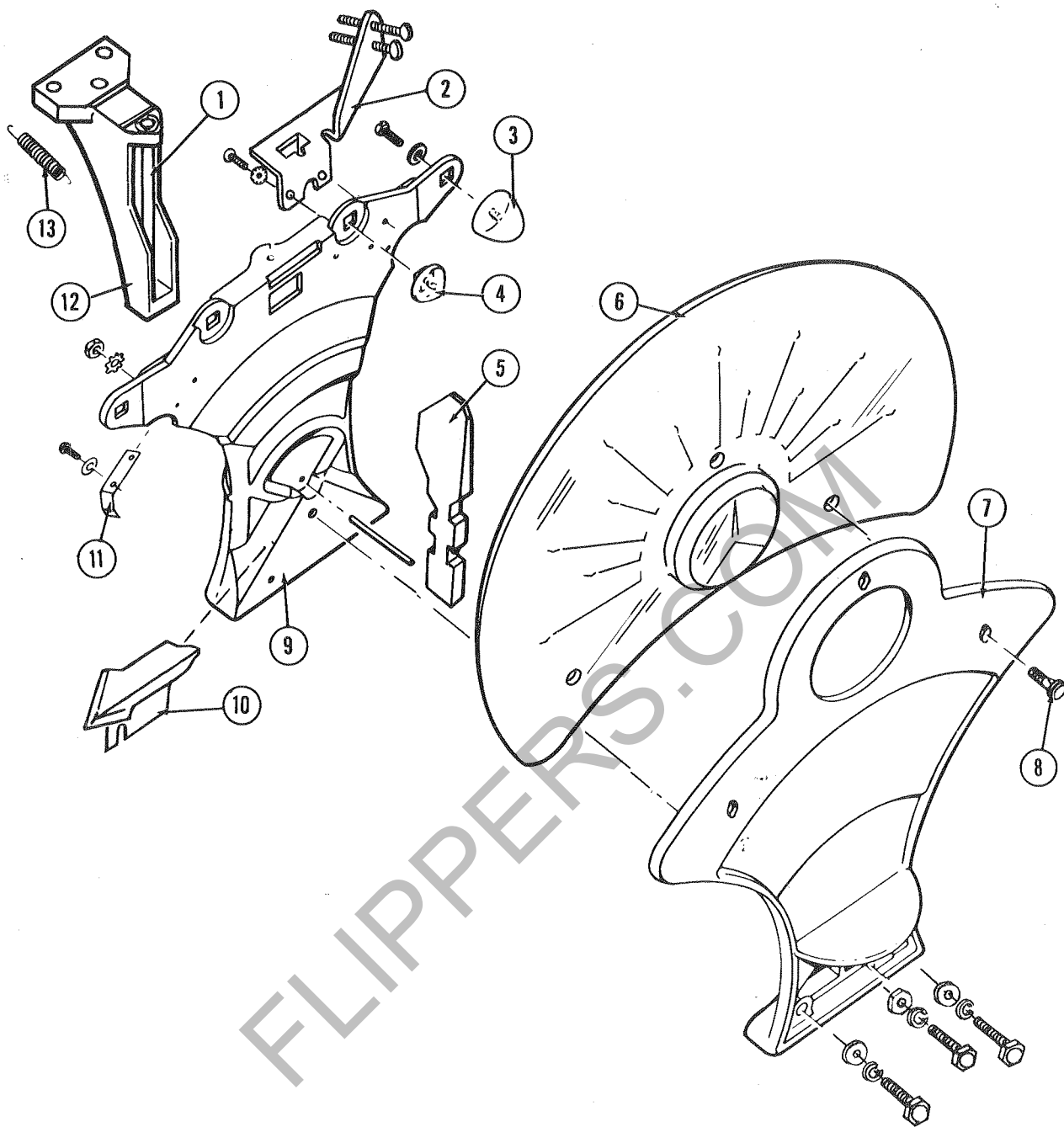


FIG. 95 RECORD GUIDE ASSEMBLY

1. Shaft, Record Guide Pivot	59869		
Retaining Ring (2)	73724-18		
2. Bracket and Stop Nut Assembly	120445	8. Screw, 6-32 x 7/16", Truss Hd.,	
Screw, 6-32 x 1" R.H.	73656-74	Type 23	74335-22
Screw, 6-32 x 1-3/8" R.H.	73800	9. Casting, Record Guide, Rear	59467
3. Bumper, Record Guide	117254	Groove Pin	59546
4. Bumper, Record Guide	59396	10. Record Guide and Bracket Assy., L.H.	68376
5. Track	59425	Record Guide & Bracket Assy., R. H.	68375
6. Record Guide Plate	118332	11. Stop Bracket (2)	59434
7. Casting, Record Guide, Front	120444	Screw, 4-40 x 5/16" R.H. (4)	73533-3
Screw, 8-32 x 7/8" Hex Hd. (2)	73793-87	12. Pivot Casting, Record Guide	59892
(Cont. next column).		Spring Pin	59908
		13. Spring, Record Guide Retracting	59606

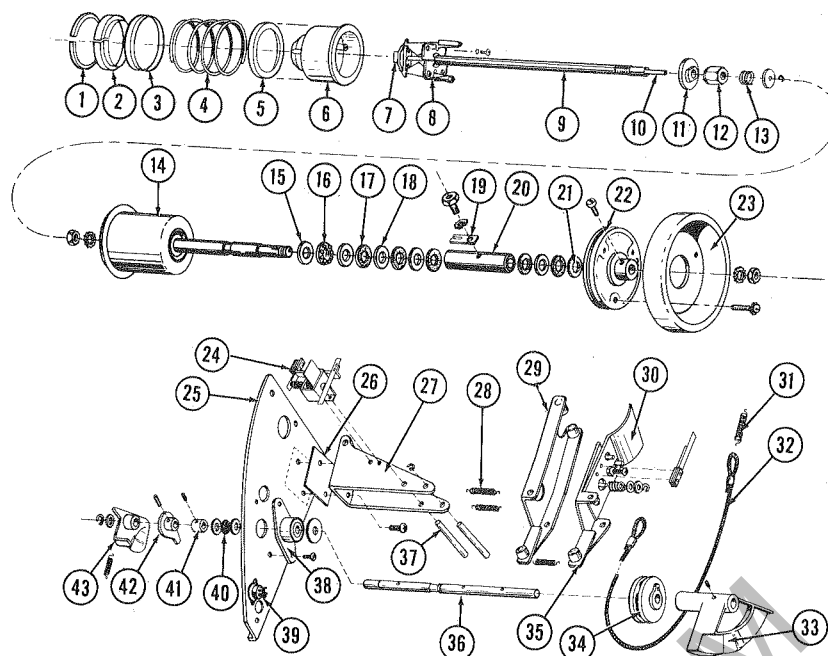


FIG. 96 TURNTABLE ASSEMBLY AND MOUNTING PLATE AND SHAFT ASSEMBLY

1. Retaining Ring	60681	27. Pivot Bracket	119433
2. Guide Washer, Turntable Pilot	119406	28. Spring, Turntable Release Arm (2)	119426
3. Spring Guide	120172	29. Turntable Release Arm Assembly	119441
4. Spring, Turntable Pilot	119422	30. Actuating Arm Assembly	119450
5. Spring Guide	120254	♦ Spring, Cam Lever	119498
6. Pilot, Turntable	119410	Cup Washer	119432
7. Cam, Clamp Lever	119409	Retaining Ring	73724-18
Retaining Ring	73724-12	Screw, 8-32 x 5/8 R.H. Nylon	74288-25
8. Plate and Arms Assembly	119439	Spring	59710
Spring, Record Lever	119424	Switch Assembly	119845
Retaining Ring	73724-12	31. Spring, Turntable Cam	119425
9. Tube, Turntable Pilot	119420	32. Cable, with one sleeve	59871-A
Retaining Ring	73724-25	Sleeve	59891
10. Shaft, Turntable Pilot Clamp Lever	119413	33. Cam, Record Clamp	119429
11. Adjusting Plate	121338	Roll Pin	73782-51
12. Adjusting Nut	121337	34. Pulley	59415
13. Spring, Clamp	119423	Roll Pin	73782-49
Cup Washer	119414	Set Screw, 8-32 x 3/16	73511-29
Retaining Ring	73724-12	35. Cam Lever and Roller Assembly	119443
14. Turntable and Shaft Assembly	68102	Shaft	59400
15. Thrust Washer (2)	59864	Retaining Ring	73728-25
16. Ball Race	59867	36. Shaft	59393
17. Shim Washer, Fiber	63732	37. Shaft	59400
18. Shim Washer, Steel	63731	Retaining Ring	73728-25
19. Clamping Plate	64512	38. Plate and Ball Bearing Assembly	59911
Screw, Turntable Sleeve	64513	39. Socket, 4 prong	69090
20. Sleeve and Bushing Assembly	64520	40. Ball Race	59679
21. Washer	56530	Washer (2)	59440
22. Pulley, Turntable	64190	41. Collar	119584
Screw, Special	59399	Set Screw, 10-32 x 3/16	74339-39
23. Flywheel, Turntable	59456	42. Arm and Hub Assy., Tone Arm Release	59406
Screw, 8-32 x 1/2 R.H. (3)	73533-38	Roll Pin	73782-49
24. Solenoid Assembly, Interlock	119826	43. Hub and Lever Assy., Tone Arm	
Switch Assembly	119784	Release	59722
Support Bracket and Spring Assy.	119793	Retaining Ring	73728-37
25. Mounting Plate and Socket Assembly	114258	Washer	59440
26. Shim	119445	Spring	59606

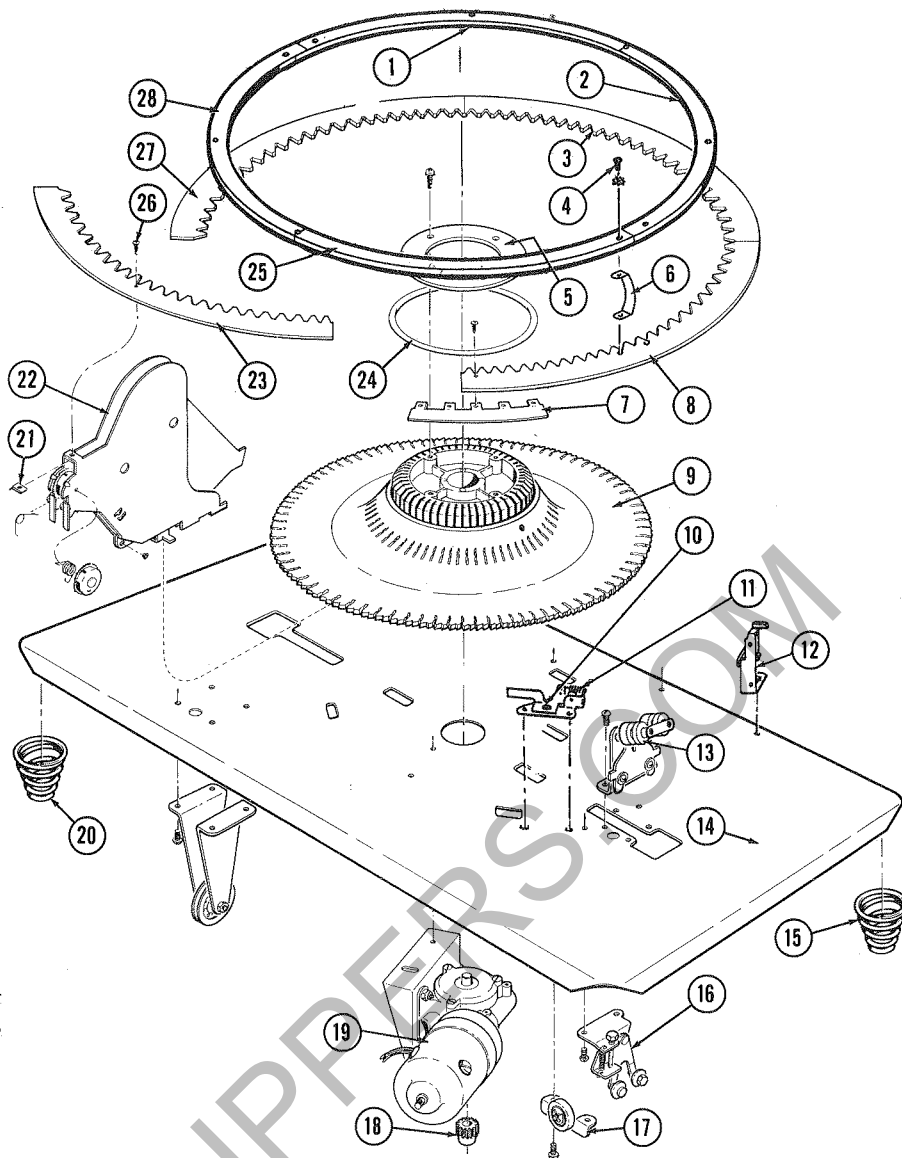


FIG. 97 RECORD CARRIER AND CHASSIS MOUNTING PLATE 2600

1. Segment, Record Indicator Ring, H6-N5	118183	17. Bracket and Roller Assy., R. H.	65886
2. Segment, Record Indicator Ring, C6-H5	118184	18. Pinion Gear	116997
3. Carrier Ring, Silk Screen Assy., L2-R1	114066	19. Motor, Gear and Bracket Assy.	69066
4. Screw, 4-40 x 3/16" R.H. (10)	73533-1	Roll Pin	73782-48
5. Clamp, Record Holder	59734	Bracket, Motor Mounting	59570
6. Spacer (10)	118936	Stator, Field Winding	65623
7. Connecting Bracket (4)	65548	Armature Brush	57350
8. Carrier Ring, Silk Screen Assy., F2-L1	114064	Brush Cap	57349
9. Casting, Record Holder	115684	Steel Ball	25358
10. Back Stop Pawl Assembly (2)	65890	20. Conical Spring, Chassis Mount, Yellow Dot	61059
11. Spring, Back Stop Pawl	59710	21. Nut, Tinnerman	73637-10
Bumper, Back Stop Pawl	54246	22. Record Holder Assembly	65908
12. Playmeter Reset Lever Assembly	113210	23. Carrier Ring, Silk Screen Assy., A2-F1	114067
Spring	59710	24. Ring, Rubber Gasket	119824
13. Bracket, Roller Assy., Lift Arm Guide (2)	116837	25. Segment, Record Indicator Ring, T6-C5	118185
Roller	116833	26. Screw, 4-40 x 3/8" R. H.	73503-25
Retaining Ring	73724-25	27. Carrier Ring Silk Screen Assy., R2-A1	114065
14. Chassis Mounting Plate Assembly	59827	28. Segment, Record Indicator Ring, N6-T5	118182
15. Conical Spring, Chassis Mount, Red Dot	53774		
16. Bracket and Roller Assy., L. H.	65885		

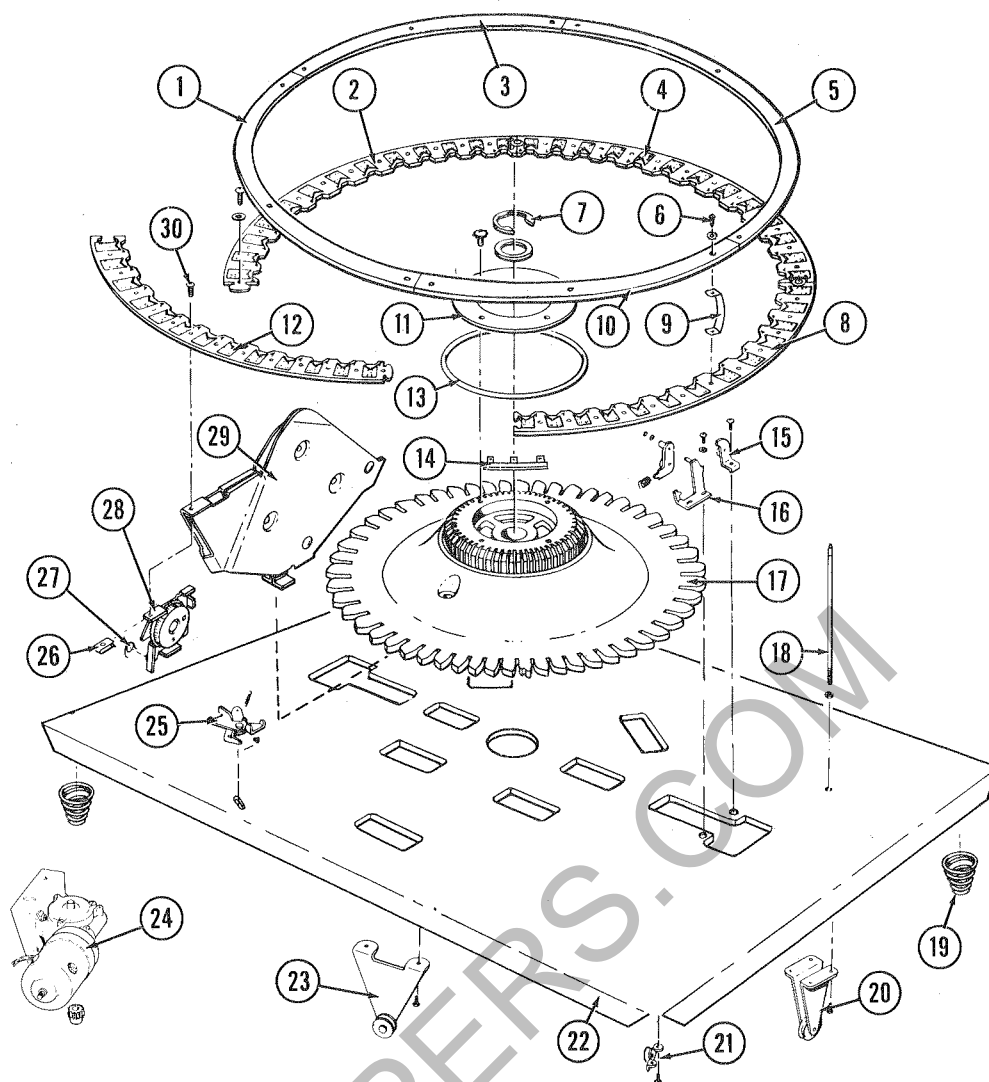


FIG. 98 RECORD CARRIER AND CHASSIS MOUNTING PLATE 2610

1. Segment, Record Indicator Ring, J7-B1	118200		
2. Carrier Ring, Silk Screen Assy., C6-E0	113409		
3. Segment, Record Indicator Ring, G4-J8	118202		
4. Carrier Ring, Silk Screen Assy., F1-H5	113410		
5. Segment, Record Indicator Ring, D7-G1	118199		
6. Screw, 4-40 x 3/16" R. H.	73533-1		
7. Retaining Ring	73724-87		
8. Carrier Ring, Silk Screen Assy., H6-K0	113411		
9. Spacer (10)	118936		
10. Segment, Record Indicator Ring, B4-D8	118201		
11. Clamp, Record Holder	59734		
12. Carrier Ring and Silk Screen Assy., A1-C5	113408		
13. Ring, Rubber Gasket	119824		
14. Connecting Bracket (4)	113387		
15. Mounting Bracket and Roller Assy. (2)	59704		
16. Mounting Bracket and Roller Assy. (2)	60658		
Pivot Arm and Roller Assembly	60626		
Mounting Bracket and Pin Assy.	60657		
Retaining Ring	73724-15		
Spring	60677		
17. Casting, Record Holder	115750		
18. Bracer Rod	60519		
19. Conical Spring, Chassis Mount, Yellow Dot, Rear	61059		
		Red Dot, Front	53774
		20. Mounting Bracket and Idler Pulley Assy.	61574
		21. Bracket and Roller Assembly (3)	59844
		22. Chassis Mounting Plate, Sub Assy.	59827
		23. Idler Pulley and Bracket Assembly	59719
		24. Motor, Gear and Bracket Assembly	69066
		Motor	65625
		Pinion Gear	116997
		Roll Pin	73782-48
		Mounting Bracket	59570
		Armature and Bearing Assembly	57318
		Armature Brush and Spring	57350
		Brush Cap	57349
		Steel Ball	25358
		Stator (Field Winding)	65623
		25. Back Stop Pawl Assembly (2)	65890
		Spring	59710
		Bumper	54246
		26. Tinnerman Nut	73637-10
		27. Pawl Spring	59901
		28. Record Play Counter and Nut (38)	59859
		Record Play Counter (12)	113687
		Torsion Spring, Play Counter	59580
		29. Record Holder Assembly (50)	59601
		30. Screw, 4-40 x 3/8" R.H. (50)	73503-25

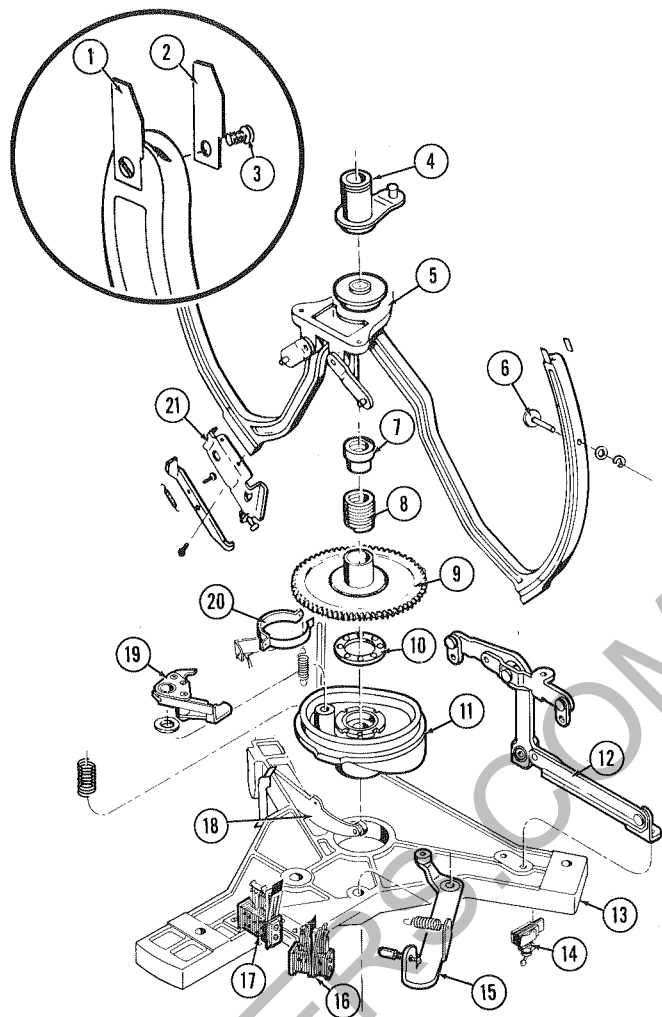


FIG. 99 RECORD CHANGER 2610

1. Guide Tip, L. H. (2)	60711	14. Toggle Switch, Record Loading S.P.S.T.	119785
2. Guide Tip, R. H. (2)	61484	15. Actuator Arm Assy., Mute and Play	
3. Screw, 2-56 x 3/16" F. H.	73586-2	Switch	62761
Lock Washer, #2 Countersunk	73606-1	Actuator Arm Assy., Transfer	
4. Arm and Rivet Assembly	115668	Switch	113299
5. Pivot Casting and Arm Assembly	120384	Actuator	58255
Record Actuator Arm, Shaft Assy., L.H.	59634	Lever Assembly, Record Clamp	59688
Record Actuator Arm, Shaft Assy., R.H.	59633	Stop Bracket	120283
Spring, Record Arm Lifter	59697	16. Mute and Play Switch and Bracket Assy.	65170
Roll Pin (6)	73782-49	Over-Center Spring	65170-1
6. Roller, Record Lift Arm	120383	Fiber	65170-A
Washer	53519	17. Transfer Switch and Bracket Assembly	59569
Retaining Ring	73724-12	Over-Center Spring, Stainless Steel	59569-2
7. Hub, Selector Drive Clutch	118254	18. Cancel Lever, Hub and Roller Assy.	59513
8. Spring, Drive Clutch	59584	Cancel Casting	59631
9. Gear and Ratchet Wheel Assembly	116986	Roll Pin	73782-66
10. Ball Race	59637	Roll Pin	73782-70
Washer (2)	59641	Cancel Lever Return Spring	65809
Retaining Ring	73727-112	Spring, Cancel	110934
11. Main Cam and Bushing Assembly	62792	19. Pawl Assembly	59537
12. Link and Lever Assembly, Record Arm	59599	20. Strap and Spring Assy., Friction	
Retaining Ring	73728-31	Drive	59626
Retaining Ring (2)	73728-25	Spring	59612
Ball Bearing	60991	21. Bracket and Nut Assembly	113216
13. Chassis Frame Casting and Shaft Assy.	115856	Spring	59894
		Lever, Record Play Counter	59706

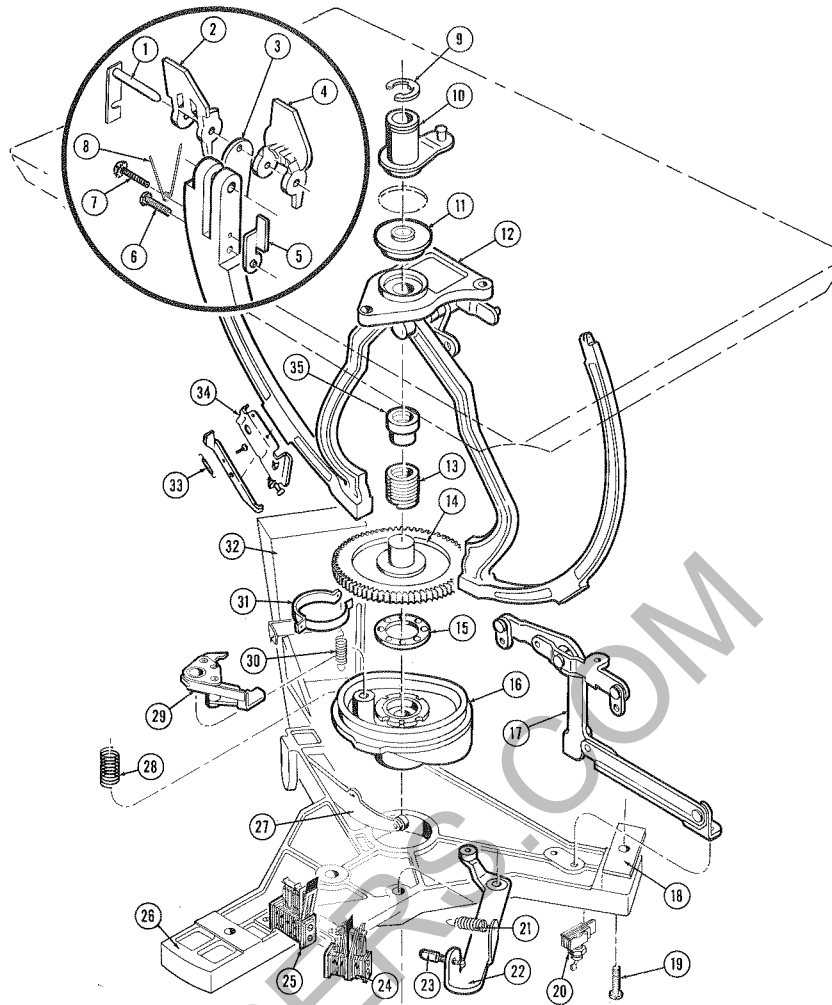


FIG. 100 RECORD CHANGER - 2600

1. Plate and Pin Assembly	117252	17. Link and Lever Assem., Record Arm	59599
2. Guide Tip, L.H.	65731	18. Tapping Plate (2)	68521
3. Guide Plate	68290	19. Screw, 1/4-20 x 1 Hex Hd.	73793-150
4. Guide Tip, R.H.	65730	20. Toggle Switch, Record Loading S.P.S.T.	119785
5. Stop, Guide Tip	65526	21. Spring, Mute and Play Switch Actuator	62773
6. Screw, 4-40 x 5/8 R.H. Sems	73533-7	22. Actuator Arm Assy., Mute & Play Switch	62761
7. Screw, 3-48 x 7/16 R.H. Sems	73533-105	23. Actuator (2)	58255
8. Spring, Guide Tips	65812	24. Mute and Play Switch and Bracket Assem.	65170-1
9. Retaining Ring	73724-87	Over Center Spring	65170-1
10. Arm and Rivet Assembly	115668	25. Transfer Switch and Bracket Assembly	59569
Roll Pin	73782-85	Over Center Spring, Stainless Steel	59569-2
11. Ball Bearing	59654	26. Chassis Frame and Shaft Assembly	116023
12. Pivot Casting and Arm Assembly	113204	27. Cancel Lever, Hub and Roller Assem.	59513
13. Spring, Drive Clutch	59584	Spring, Cancel	110934
Washer, Guard	110077	28. Spring, Cancel Arm Return	65809
Felt Washer (2)	59655	29. Pawl Assembly	59537
Washer (2)	59647	30. Spring, Strap and Spring Assembly	59612
14. Gear and Ratchet Wheel Assembly	116986	31. Strap & Spring Assy., Friction Drive Pawl	59626
15. Ball Race	59637	32. Support Casting, R.H.	67928
Washer	59641	Support Casting, L.H.	68700
Retaining Ring	73727-112	33. Spring, Play Meter Actuating Arm	59894
Oil Guard	66580	34. Bracket and Stop Nut Assembly	113205
16. Main Cam and Bushing Assembly	62792	35. Hub, Selector Drive Clutch	118254
		Roll Pin	73782-88

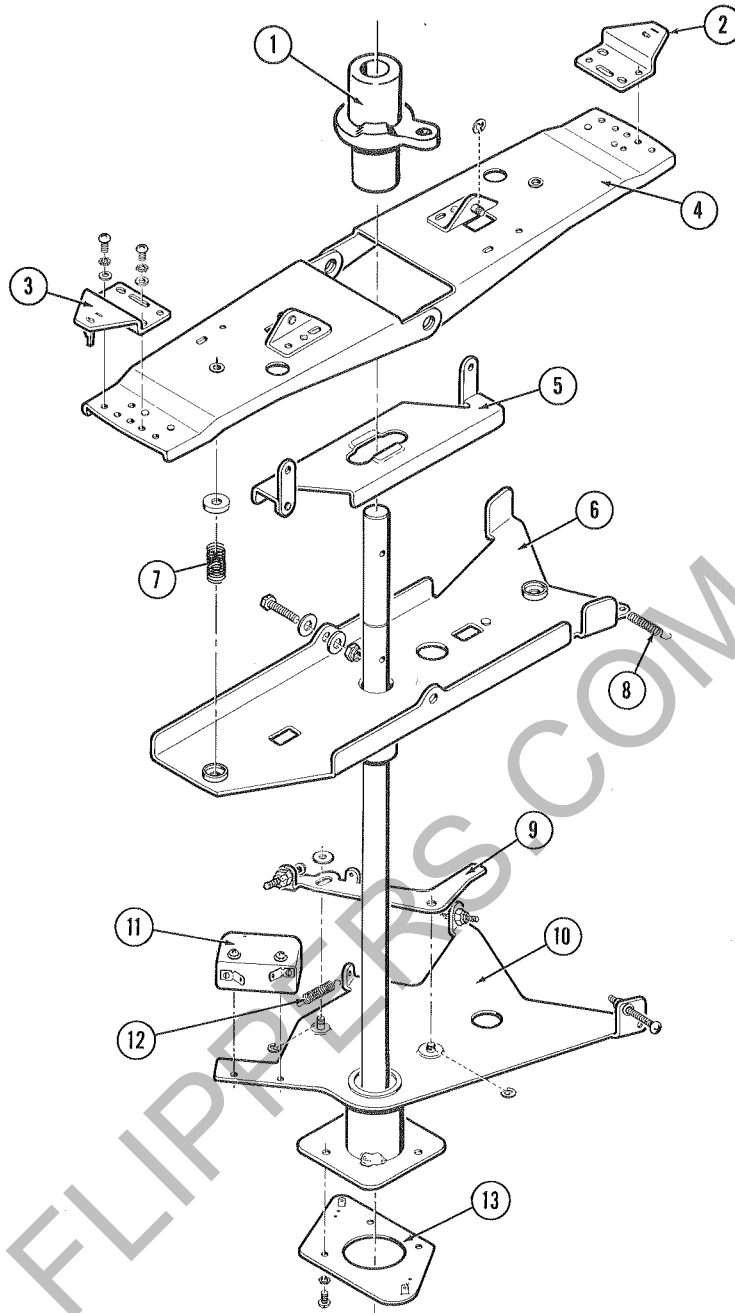


FIG. 101 SELECTOR CRANK AND SHAFT ASSEMBLY

	2600	2610
1. Sleeve and Bushing Assembly	68483	115772
2. Tip and Mounting Bracket Assembly, Inner	110936	116733
3. Tip and Mounting Bracket Assembly, Outer	110930	116732
4. Selector Crank and Bracket Assembly (2)	110944	115770
5. Actuator Arm and Link Assembly	110939	115767
6. Mounting Plate and Bushing Assembly	110946	115761
7. Spring, Selector Crank (2)	65809	65809
8. Spring, Kickoff	110480	59613
9. Switch Lever and Stop Nut Assembly	110937	115765
10. Selector Shaft Assembly	115669	115752
11. Micro Switch	60655	60655
12. Spring, Switch Lever	68774	68774
13. Contact Plate Assembly	68582	115769

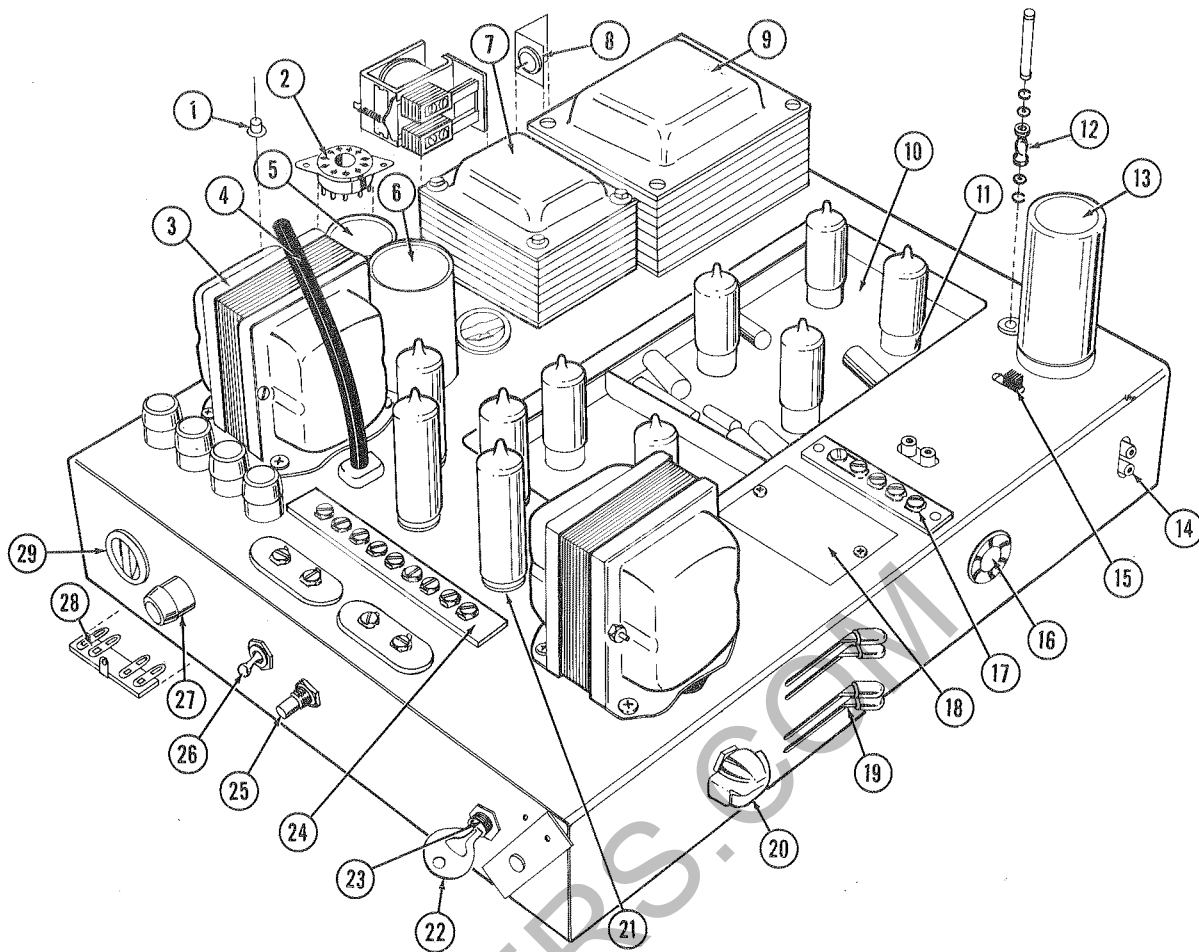


FIG. 102 MODEL 543 AMPLIFIER

1. Silicon Diode Rectifier, 500 P.I.V.	71588-6	20. Balance Control, Potentiometer	114463
Silicon Diode Rectifier, 50 P.I.V.	71588-12	Knob, Black	20263
2. Socket, 11 Prong	38492	21. Socket, 9 Pin	58425
3. Transformer, Audio (2)	120691	22. Key, Loudness Control	984
4. Line Cord	67464	23. Loudness Control	120699
Strain Relief	71878-6	24. Terminal Strip, 9 Screw	63604
5. Capacitor, Electrolytic, 100-20 mfd.	71594	25. Switch, Cancel	68770
6. Capacitor, Electrolytic, 100 mfd.	71595	26. Switch, Line	121301
7. Transformer, Amplifier	116645	27. Fuse Post	51485
8. Silicon Diode Rectifier & Mounting		Fuse, 15 Ampere	71590-48
Bracket (2)	120696	Fuse, 5 Ampere	71590-27
9. Transformer, Low Voltage	120689	Fuse, 8 Ampere	71590-33
10. Printed Board Assembly	120701	Fuse, 1.6 Ampere Slow Blo	71591-15
11. Socket, 9 Pin	64920	28. Insulated Terminal Strip - 4 lug	24277
12. Isolator (4)	15137	Insulated Terminal Strip - 2 lug	20156
Stud	66378	Insulated Terminal Strip	18831
Washer	53638	Insulated Terminal Strip - 1 lug	20269
Retaining Ring	73724-18	Insulated Terminal Strip - 1 lug	23027
13. Capacitor, Electrolytic, 30-20-20-25 mfd.	73475	Insulated Terminal Strip, 2 Screw	24558
14. Receptacle, Input	113420	29. Receptacle, 2 pole	13037
15. Slide Switch	116724		
16. Socket, 6 prong	32881		
17. Terminal Strip and Link Assembly	121260		
18. Cover, Motor	120719		
19. Switch, Tone Control	120706		
Tip, Actuator, Red	120692		
Tip, Actuator, Black	110595		

TUBE LIST

12AX7-A (2)	58427
12AU7-A (2)	58420
7199 (2)	115555
6973 (4)	114048

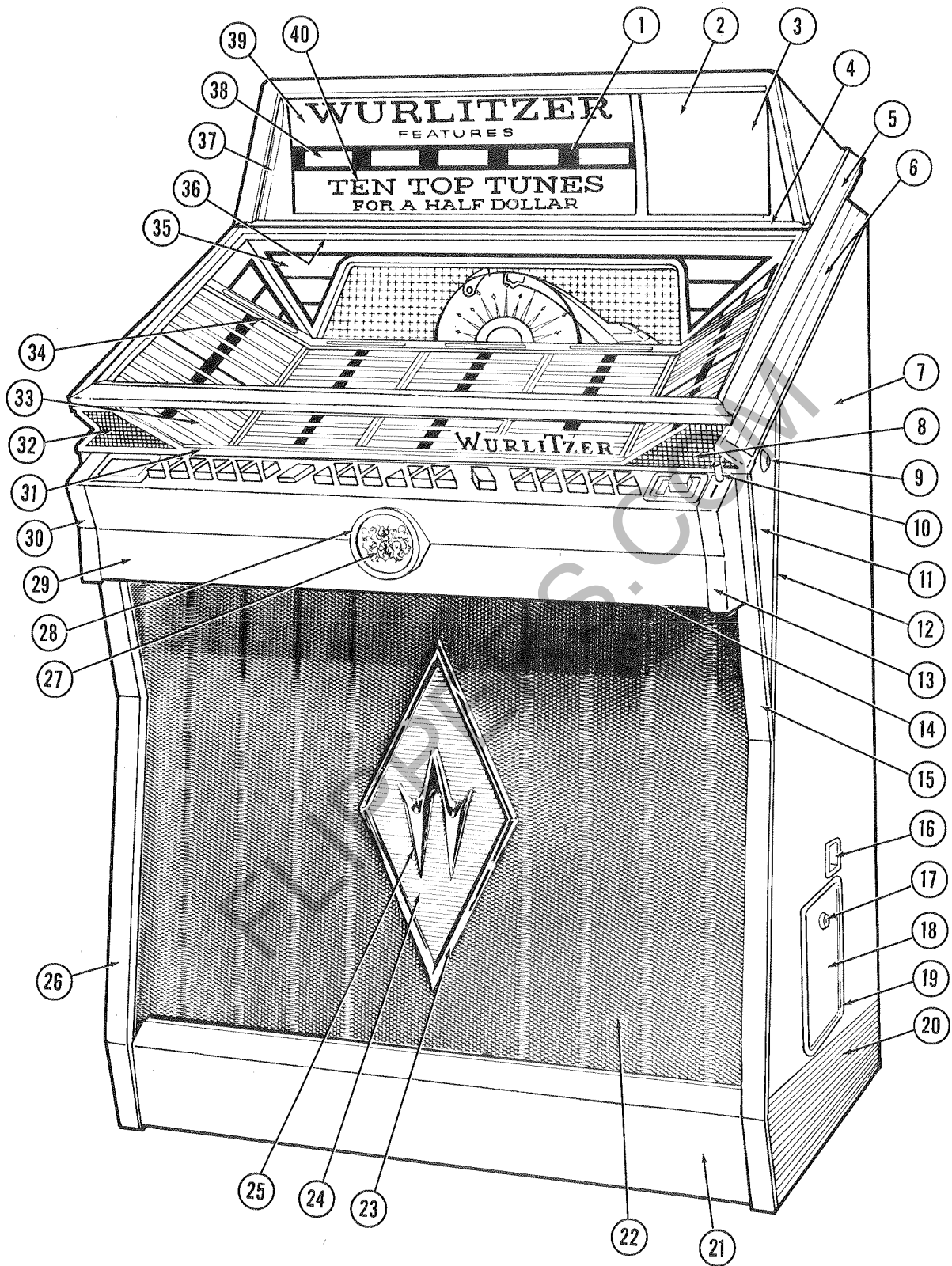


FIG. 103. TRIM AND MOUNTING - FRONT VIEW - 2600

FIG. 103 TRIM AND MOUNTING - FRONT VIEW

1.	Label, A1-K1, Program Numbers	120475	17.	Lock and Key Assembly	118412
	Label, A1-A0, Program Numbers	120476	18.	Coin Box Door	120484
	Label, Letters, Dome Display	121280	19.	Frame, Cash Box Door	120482
	Covers, Program Slip Transparent		20.	Kick Plate, R. H.	120418
	Yellow	119812		Kick Plate, L. H.	120417
	Decal, Top Tunes	121402	21.	Kick Plate, Front	120423
	Label, Record Cover	121485	22.	Grill Screen	120420
2.	Glass, Canopy, Flat, Clear	120744	23.	Frame, "W" Casting	120927
	Gasket, Canopy Glass, 42-1/2"	120873	24.	Background, "W" Casting	120928
3.	Decorative Glass, Canopy	120881	25.	"W" Casting, Front Grille	120424
	Gasket, Top Canopy Glass	120885	26.	Extrusion, Left Side	120421
	Guide, Display Card	121268	27.	Medallion	120515
	Backing Plate & Pad Assembly	120896	28.	Medallion Casting	120514
	Pin	120957	29.	Front Panel	120628
	Retaining Ring	73724-12	30.	Cheek Casting, L. H.	120518
4.	Extrusion, Canopy Bottom	120429	31.	Extrusion, Lower Front Glass	120419
	Gasket, Canopy Glass, Bottom,		32.	Front Casting, L. H.	120426
	30-5/8"	120874	33.	Front Glass and Silk Screen Assy.,	120576
5.	Extrusion, Door Frame	120432		Gasket, 32-1/4"	120875
6.	Extrusion Wing, R. H.	120508		Gasket, 31-1/4"	120877
	Extrusion Wing, L.H.	120507		Glass Clamp, R. H.	120639
7.	Di-Noc Side, Left or Right	120427-A		Glass Clamp, L. H.	120640
	Welding Solution	A-1171		Retainer, Front Glass	120578
8.	Front Casting, R. H.	120425	34.	Door Glass, Dome	120575
9.	Lock Assembly, Dome (2)	120718		Gasket, 32-1/4" (2)	120875
	Actuator and Pin Assy., R. H.	120712		Gasket, 18-3/8" (2)	120876
	Actuator and Pin Assy., L. H.	120667		Glass Clamp and Brace Assy., R.H.	120680
	Bracket and Screw Assy., Locking			Glass Clamp and Brace Assy., L.H.	120679
	Strike Pivot, R.	120771	35.	Light Diffuser and Stiffener Assy.	121340
	Bracket and Screw Assy., Locking		36.	Diffuser, Canopy	120653
	Strike Pivot, L.	120772	37.	Moulding, L. H., Plastic Extrusion	120884
	Locking Lever and Strike Assy.,			Moulding, R. H. Plastic Extrusion	120883
	R.H.	120852	38.	Retainer and Bracket Assembly	120893
	Locking Lever and Strike Assy.,			Mounting Bracket & Spring Catch	
	L.H.	120854		Assy., R. H.	120903
10.	Reject Button and Bracket			Mounting Bracket & Spring Catch	
	Assembly	120600		Assy., L. H.	120907
	Retaining Ring	73728-37	39.	Display Card, Upper, Blue	120901
11.	Overlay, R. H.	120781		Wurlitzer Features - front	
	Overlay, L. H.	120780		Features - back	
12.	Extrusion, Overlay, R. H.	120778		Display Card, Upper, Red	
	Extrusion, Overlay, L. H.	120779		Wurlitzer Features - front	121203
	Speed Nut	74441-4		Features - back	
13.	Cheek Casting, R. H.	120517	40.	Display Card, Lower, Blue	120902
	Coin Entry Chute Assembly	120650		Music of the Week - front	
	Thumb Screw, Selector Casting	111999		Ten Top Tunes for a Half Dollar - back	
14.	Light Diffuser Assembly	120947		Display Card, Lower, Red	121202
	Grille Plate and Clip Assembly	120617		The Best in Music on 33 and 45	
	Clamp, Light Diffuser	121216		R.P.M. - front	
15.	Extrusion, Right Side	120422		Ten Top Tunes for a Half Dollar - back	
16.	Coin Return Cup Casting	68192		Display Card, Lower, Blue	121029-S
	Anti-Cheat Guard and Bracket Assy.	118405		The Best in Music on 33 and 45 R.P.M.	
	(Cont. next column)			Insert, Program Slip Retainer	121208

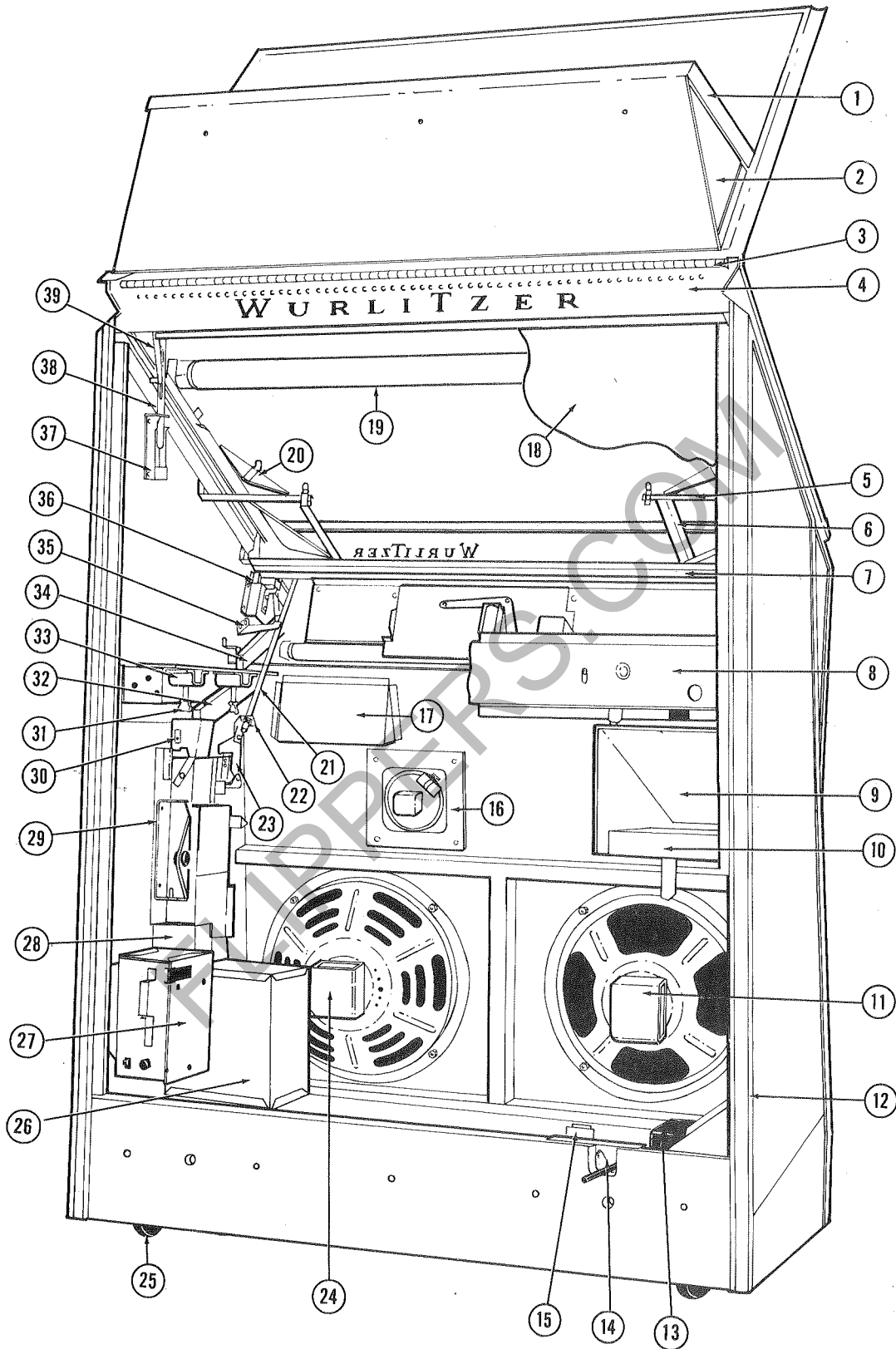


FIG. 104. TRIM AND MOUNTING - BACK VIEW - 2600

FIG. 104 TRIM AND MOUNTING - BACK VIEW - 2600

1.	Extrusion, Canopy Frame	120457	19.	Fluorescent Lamp, 25 Watt, 30"	110965
	Spring Clip - Canopy	121264		Socket, Fluorescent Lamp	53673
	Screw, 4-40 x 3/8" Truss Hd.			Fluorescent Starting Switch	57365
	Nickel Plate	73787-25		Socket, Fluorescent Lamp Starter	53674
	Nut, Nylock 4-40	73865-1	20.	Mounting Bracket, Side Program Holder,	
	Mounting Bracket and Spring Catch			L. H.	118612
	Assy., R. H.	120903		Mounting Bracket, Side Program	
	Mounting Bracket and Spring Catch			Holder, R. H.	118611
	Assy., L. H.	120907		Spring Clip	118618
2.	Canopy	120428	21.	Reject Rod	120588
3.	Hinge, Dome	120632		Spring, Reject Rod	68936
4.	Cross Rail and Silk Screen Assy.	120627		Retaining Ring	73724-25
5.	Support Bracket, Program Holder, L.H.	120636	22.	Lever and Bracket Assembly	120799
	Support Bracket, Program Holder,		23.	Pin and Actuator Assembly	120964
	R. H.	120634		Shaft	68300
	Spring Clip	118618		Retaining Ring	73724-25
6.	Pivot Support, Program Holder, L.H.	120710		Spring, Return Reject Button	119025
	Pivot Support, Program Holder,		24.	Speaker, 12", P.M., 16 ohms	120777
	R. H.	120709	25.	Caster	69569
7.	Mounting Channel, Program Holder	120633		Caster Socket	69570
8.	Back Rail Assembly	120462	26.	Coin Bag Housing Assembly	113285
9.	Heat Shield	118529		Coin Bag	62670
	Trimount Stud	73866-1	27.	Cover Assy., Coin Register Mechanism	112070
	Speed Clip, Cable Clip	112222	28.	Coin Hopper Assembly	118406
10.	Support Bracket Assembly	116740	29.	Mounting Plate and Spring Catch Assy.	120960
11.	Speaker, 12", P. M., 8 ohms	119743	30.	Lower Coin Chute Assy. Complete	68552
12.	Extrusion, Back Rub Rail, L. H.	120510	31.	Wing Head Bolt	59832
	Extrusion, Back Rub Rail, R. H.	120509	32.	Coin Chute Assembly, Lower	120584
13.	Light Ballast, Dual 25 Watt	111566		Guard-Coin Chute	121426
	Grommet	49884	33.	Mounting Rail and Bracket Assy.,	
	Socket, 2 prong	112188		Chassis Mounting, R. H.	116329
	Shell	111798		Mounting Rail and Bracket Assy.,	
14.	Cable Retainer	118645		Chassis Mounting, L. H.	116330
	Wing Nut	23228	34.	Coin Chute Assembly, Upper	120580
15.	Clamp, Junction Box	49932	35.	Guide Bracket, Reject Rod	120615
	Thumb Screw	49935	36.	Yoke and Rivet Assembly	120603
16.	Mounting Plate, 3-1/3" Speaker	120577		Screw, 10-32 x 1-1/2" Socket Hd.	73571-22
	Speaker, 3-1/2", P.M., 3-1/2 ohms	120770		Bracket, Reject Rod Pivot Support	120608
	Capacitor, 2 mfd., 25 V., N. P.	74147	37.	Spring and Bracket Assembly, R. H.	120803
17.	Light Shield, Baffle Board	121211		Spring and Bracket Assy., L. H.	120802
18.	Upper Back Door Assembly	120645	38.	Fall Support Assembly, R.	120797
	Screw, 1-8 R. H. (4)	73592-24		Fall Support Assembly, L.	120798
	Lower Back Door Assembly	120486	39.	Release Rod, Fall Support	120786
	Lock Assembly	118629		Trip Lever Assembly, R. H.	120792
	Lock Assembly	118629		Trip Lever Assembly, L. H.	120793
	Lock Assembly	118629		Roll Pin	73782-49
	RW 95 Key	118633			
	(Cont. next column)				

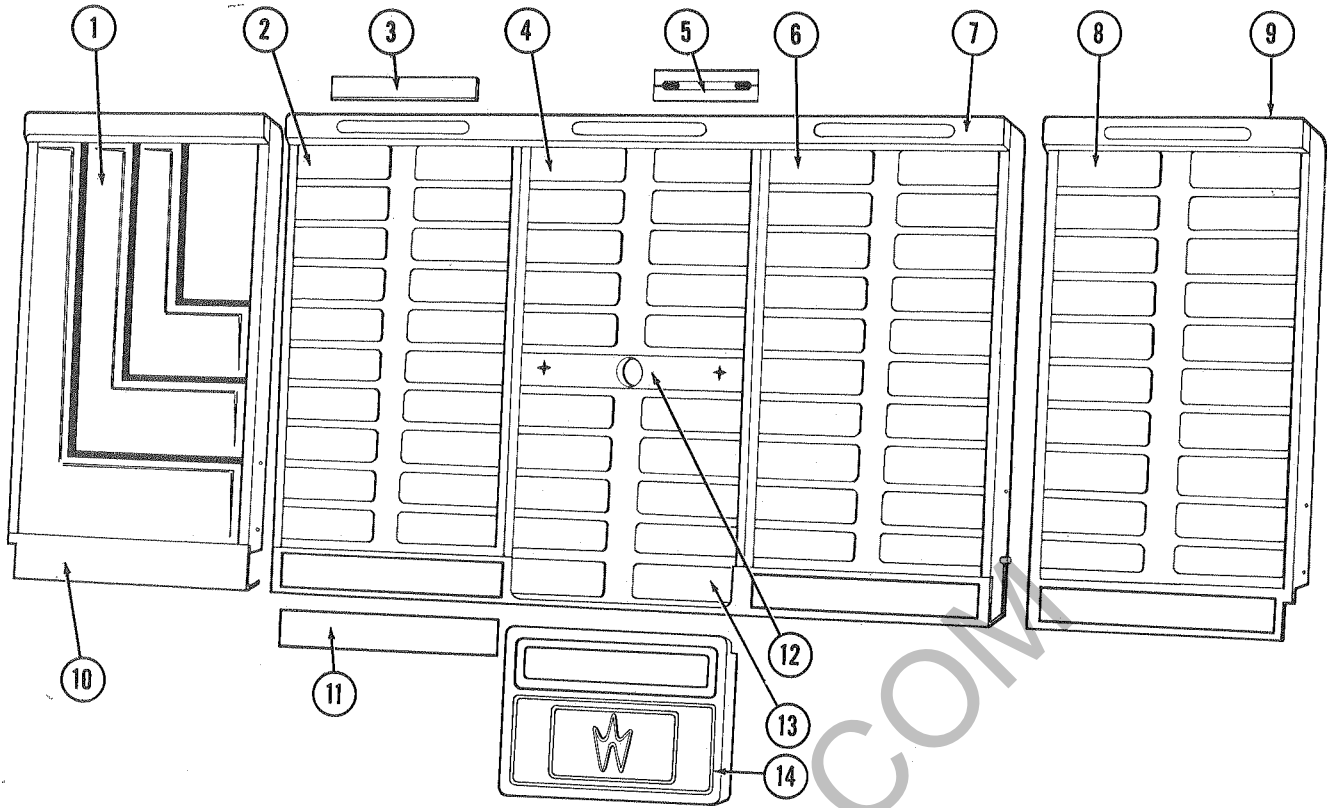


FIG. 105 PROGRAM HOLDER AND FRAME ASSEMBLY

	2600	2610
1. Decorative Panel, L. H.		120994
Program Holder and Silk Screen, A1-D0	120464	
2. Program Holder and Silk Screen, E1-H0	120465	
Program Holder and Silk Screen, A1-D0		120464
3. Classification Slip		
Wurlitzer Music	120491	120491
Today's Top Tunes	120492	120492
Country and Western	120493	120493
Rhythm and Blues	120494	120494
Rock and Roll	120495	120495
New Pop Records	120496	120496
Polkas and Waltzes	120497	120497
Stereophonic Music	120498	120498
Classical and Old Favorites	120499	120499
Jazz and Novelty	120500	120500
4. Program Holder and Silk Screen, J1-K0	120467	
Program Holder and Silk Screen, E1-F0		120477
5. Program Cards, Double Title Strips	62604	62604
6. Program Holder and Silk Screen, N1-R0	120470	
Program Holder and Silk Screen, G1-K0		120478
7. Program Holder Frame and Extrusion Assembly, Center	120472	120479
8. Program Holder and Silk Screen, S1-V0	120471	
Decorative Panel, R. H.		120856
9. Program Holder Frame and Extrusion Assembly, R.H.	120473	120480
10. Program Holder Frame and Extrusion Assembly, L.H.	120474	120481
11. Label, Press A Letter and a Number Button for each Selection	121423	
Label, Make Selection after depositing each 25¢, 10¢ or 5¢	121424	
12. Record Indicator Panel	120469	120469
Trimount Stud	73866-1	
Retainer Clip		118713
13. Program Holder and Silk Screen, L1-M0	120466	
14. Decorative Panel		120857

WARRANTY

The component parts of automatic phonographs and accessory equipment manufactured by the Wurlitzer Company are warranted to be free from defects in material and workmanship and to operate properly under normal use and conditions, as follows:

- (A) Mechanical parts (Excluding coin equipment) for a period of one year from date of delivery by the Distributor to his customer.
- (B) Coin equipment and electrical parts (Including such parts as tubes, speakers, volume control assemblies, pick-up assemblies, amplifiers, motors, junction box assemblies, and all wiring) for a period of three months from date of delivery by the Distributor to his customer.
- (C) Cabinets (Subject to the Company's inspection and determination as to defect) for a period of three months from date of delivery by the Distributor to his customer.

The company's liability under this warranty is limited to replacement, free of charge, F.O.B. North Tonawanda, New York, of any part or parts which prove defective within the limitations of said warranty. The Company shall not be liable for damages of any nature due to delayed shipment, or defective parts.

THE WURLITZER COMPANY
NORTH TONAWANDA, N. Y.

COMBINED NUMERICAL PARTS LIST

Part No.	Description	Page No.	2600	2610
984	Key for Volume Control	69	x	x
A-1171	Welding Solution, Dinoc	71	x	x
10964	Socket, 8 prong	55	x	x
13037	Receptacle, 2 pole	69	x	x
13089	Plug, 5 prong	49	x	x
15137	Isolator	69	x	x
16607	Plug, 6 prong	60	x	x
16610	Cap (for 5 prong Plug)	2	x	x
16617	Plug, Female, 5 prong	2	x	x
18831	Insulated Mounting Strip, Screw Terminal	69	x	x
20156	Insulated Mounting Strip, 2 Lug	69	x	x
20263	Knob, Black.	69	x	x
20269	Mounting Strip, Single Lug	69	x	x
23027	Insulated Mounting Strip, 1 Lug	69	x	x
23228	Wing Nut, 8-32	72	x	x
23355	Cotter Pin.	53	x	x
24277	Insulated Mounting Strip, 4 lug	69	x	x
24558	Terminal Strip	69	x	x
24689	Lamp, 6.3 V. #44	53	x	x
25358	Steel Ball Bearing, 1/8" diameter	65	x	x
30495	Socket, 4 prong	55	x	x
32881	Socket, 6 prong	55	x	x
35745	Thumb Screw, Heat Shield	49	x	x
38492	Socket, 11 prong	55	x	x
42868	Adjusting Cam	5	x	x
43341	Socket, Connector	51	x	x
46602	Fuse Mounting Strip	58	x	x
48501	Plug, 11 prong, grooved to fit .031" Chassis	56	x	
X49832	Tone Arm and Record Track Adjustment Fixture	26	x	x
49884	Grommet, Vibration Absorbtion	61	x	x
49932	Clamp.	72	x	
49935	Thumb Screw	72	x	x
50324	Cap Nut, Tone Arm Brush	60	x	x
50494	Washer, No. 4	60	x	x
51485	Fuse Post	55	x	x
53519	Washer, .125 I.D., 5/16" 0.8	66		x
53638	Washer	69	x	x
53673	Socket, Fluorescent Lamp	72	x	x
53674	Socket, Starter	72	x	x
53774	Conical Spring - Chassis Mount (Red Dot).	65	x	x
54246	Bumper	65	x	x
54878	Plug, 11 prong	57	x	x
55391	Connector, Single Prong Plug	51	x	x
56530	Washer, Thrust Bearing	31	x	x
56628	Stop Bracket, Switch Interlock	8	x	x
56704	Switch, Solenoid	53	x	
56713	Release Lever, Stud and Spacer Assy. Switch Interlock	7	x	x
57110	Spring, Selector Latch Pin	55		x
57129	Spring, Letter Latch	53	x	x
57130	Spring, Solenoid Return	53	x	x
57318	Rotor and Bearing Assembly	65	x	x
57349	Brush Cap.	65	x	x
57350	Motor Brush	65	x	x
57365	Fluorescent Starting Switch, 25 W.	72	x	x
58255	Actuator.	22	x	x

Part No.	Description	Page No.	2600	2610
58420	Tube, 12AU7A	69	x	x
58425	Socket, 9 Pin, Miniature	69	x	x
58427	Tube, 12AX7A	33	x	x
58781	Cancel Spring.	50	x	x
58898	Socket, 11 prong	57	x	x
59280	Thumb Screw	59		x
59351	Rubber Washer, .092" x .218" x 1/16"	60	x	x
59393	Shaft, Tone Arm	63	x	x
59394	Pivot Screw, Tone Arm.	60	x	x
59396	Bumper, Record Guide	62	x	x
59399	Screw, Special, 8/32"	31	x	x
59400	Shaft	25	x	x
59406	Arm and Hub Assy., Tone Arm Release	63	x	x
59411	Bushing, Trip Switch	60	x	x
59415	Pulley, Turntable Clamp	29	x	x
59425	Track, Record	19	x	x
59432	Adjusting Bracket, Trip Switch.	28	x	x
59434	Stop Bracket, Track	19	x	x
59440	Washer, Thrust Bearing	63	x	x
59456	Fly Wheel, Turntable.	31	x	x
59467	Casting, Record Guide, Rear	62	x	x
59470	Hex Nut, Turntable Shaft, 7/16 - 20.	31	x	x
59483	Hub and Lever Assembly, Tone Arm Brush	60	x	x
59513	Cancel Lever, Hub and Roller Assembly	16	x	x
59537	Pawl Assembly	66	x	x
59546	Groove Pin	62	x	x
59569	Transfer Switch and Bracket Assembly.	22	x	x
59569-2	Over Center Spring (Stainless Steel).	22	x	x
59570	Mounting Bracket, Motor.	65	x	x
59571	Oil Slinger	31	x	x
59580	Torsion Spring, Record Play Counter	65		x
59584	Spring, Selector Drive Clutch	66	x	x
59599	Link and Lever Assembly, Record Lift	16	x	x
59601	Record Holder Assembly.	20		x
59606	Spring, Return	63	x	x
59607	Spring, Tone Arm Brush	60	x	x
59612	Spring, Friction Drive	66	x	x
59613	Spring, Kickoff	68		x
59615	Spring, Trip Switch	60	x	x
59626	Strap and Spring Assembly, Friction Drive	66	x	x
59631	Cancel Casting	66	x	x
59633	Record Actuator Arm and Shaft Assembly, R. H.	20		x
59634	Record Actuator Arm and Shaft Assembly, L. H.	20		x
59637	Ball Race, Main Cam Shaft.	66	x	x
59641	Washer, Thrust Bearing, Main Cam.	66	x	x
59647	Washer	67	x	x
59654	Ball Bearing, Selector Shaft	67	x	x
59655	Felt Washer	67	x	x
59679	Ball Race, Tone Arm Shaft.	63	x	x
59688	Lever Assembly, Record Clamp.	22	x	x
59697	Spring, Record Lift Arm	66	x	x
59704	Mounting Bracket and Roller Assembly	17		x
59706	Lever, Record Player Counter.	66		x
59710	Spring.	25	x	x
59717	Idler Pulley and Bracket Assembly, Tone Arm Brush	29	x	x
59719	Idler Pulley and Bracket Assembly.	65	x	x
59722	Hub and Lever Assembly, Tone Arm Release.	30	x	x

Part No.	Description	Page No.	2600	2610
59734	Clamp, Record Holder	65	x	x
59735	Idler Pulley	29	x	x
59827	Chassis Mounting Plate, Sub-Assembly	65	x	x
59832	Wing Head Bolt	72	x	x
59844	Bracket and Roller Assembly.	65	x	x
59859	Record Play Counter	65		x
59864	Washer, Turntable Shaft	31	x	x
59867	Ball Race, Turntable Shaft	31	x	x
59869	Shaft, Record Guide Pivot	62	x	x
59871-A	Cable Assembly, Tone Arm and Record Clamp	29	x	x
59881	Sleeve, Brush Cable	29	x	x
59888	Cable, Tone Arm Brush	29	x	x
59891	Sleeve, Record Clamp Cable.	29	x	x
59892	Pivot Casting, Record Guide	62	x	x
59894	Spring, Play Meter Actuating Arm.	66	x	x
59900	Insulator	60	x	x
59901	Spring, Pawl, Record Play Counter	65	x	x
59908	Spring Pin, Pivot Casting.	62	x	x
59911	Plate and Ball Bearing Assembly	63	x	x
60518	Switch Assembly, Latch	53	x	
60519	Bracer Rod, Top Support Casting	65	x	x
60574	Grommet	58	x	x
60575	Cup Washer.	58	x	x
60626	Pivot Arm and Roller Assembly	17		x
60655	Micro Switch, Safety	60	x	x
60657	Mounting Bracket and Pin Assembly	17		x
60658	Mounting Bracket and Roller Assembly	65		x
60677	Spring, Roller Arm.	17		x
60681	Retaining Ring, Turntable Pilot	63	x	x
60711	Guide Tip, L. H., Record Lift Arm.	66		x
60882	Rubber Mount, T. T. Drive Motor.	61	x	x
60991	Ball Bearing.	66	x	x
61004-A	Teflon Shim Washer, Stepper Ratchet Shaft	58	x	x
61059	Spring, Conical, Chassis Mount, Yellow Dot	65	x	x
61111	Spring Pin.	24	x	x
61484	Guide Tip, R. H.	66		x
61574	Mounting Bracket and Idler Pulley	65	x	x
61850	Guide, Selector Mounting Stud.	55		x
61857	Socket, Fustat	58	x	x
61858	Fustat, 3 ampere.	58	x	x
62145	Spring, Coin Selector.	50	x	x
62604	Program Cards, Double Title Strips.	74	x	x
62670	Coin Bag Assembly	72	x	x
62761	Actuator Arm Assembly	22	x	x
62768	Cam Lobe, Mute and Play Switch	22	x	x
62769	Stop Plate, Mute and Play Switch Actuator Arm	22	x	x
62773	Spring, Mute and Play Switch Actuating Lever.	56	x	x
62792	Main Cam and Bushing Assembly	16	x	x
62886	Slide Switch.	2	x	x
63604	Terminal Strip, 9	69	x	x
63623	Pivot Pin, Pawl	50	x	x
63731	Shim, Metal, Turntable Shaft	31	x	x
63732	Washer, Fiber, Turntable Shaft	31	x	x
64190	Pulley, Turntable.	31	x	x
64423	Latch, Tone Arm.	27	x	x
64512	Clamping Plate	31	x	x
64513	Screw, Turntable Sleeve, 1/4" - 28.	31	x	x

Part No.	Description	Page No.	2600	2610
64520	Sleeve and Bushing Assembly.	31	x	x
64595	Insulator	55		x
64602	Solenoid, Selector	55		x
64630	Roller Assembly	55	x	x
64649	Stop Pivot	55		x
64711	Timing Relay, No. 2	55		x
64766	Washer, Selector Pin Solenoid	56	x	x
64773	Spring, Stop Arms	55		x
64780	Spring, Solenoid	56	x	x
64783	Spring and Plug Assembly	55		x
64920	Socket, Miniature, 9 Pin, Printed Board	69	x	x
64981	Switch Assembly, Letter Series	53	x	x
64982	Switch Assembly, R. H.	53	x	x
65007	Switch Assembly, Solenoid.	53		x
65009	Pawl, Stud and Spacer Assembly, Letters.	8	x	x
65069	Cancel Solenoid	50	x	x
65096	Spring, Turntable Release Lever	60	x	x
65170	Mute and Play Switch and Bracket Assembly.	22	x	x
65170-1	Toggle Spring, Mute and Play Switch.	66	x	x
65170-A	Fiber, Mute and Play Switch	66	x	x
65192	Speaker, 12" 16 ohm, Red Dot	32	x	x
65362	Taper Pin, 6/0 x 7/16	53	x	x
65516	Pin, Release Lever Stop	15	x	x
65526	Stop, Guide Tip.	17	x	
65548	Connector Bracket, Carrier	64	x	
65623	Stator, (Motor Field Winding)	65	x	x
65625	Motor, Record Changer	65	x	x
65728	Switch Mounting Bracket	15	x	
65730	Guide Tip, R. H.	17	x	
65731	Guide Tip, L. H.	17	x	
65750	Relay, Reverse	57	x	x
65801	Plastic Cover, Stepper	51	x	x
65809	Spring, Selector Crank.	16	x	x
65812	Spring, Guide Tips	67	x	
65885	Bracket and Roller Assembly, L. H.	18	x	
65886	Bracket and Roller Assembly, R. H.	64	x	
65890	Back Stop Pawl Assembly.	19	x	x
65908	Record Holder Assembly.	64	x	
65947	Pin, Solenoid Shaft	53	x	x
65952	Switch, Override	11	x	
65958	Spring, Record Lift Arm Centering	18	x	
65986	Stud, Roller, Lift Arm Adj.	18	x	
65989	Roller, Lift Arm Guide.	18	x	
66049	Mounting Stud, Lockout Levers	50	x	x
66065	Link, Solenoid	50	x	x
66069	Stop Bracket, Cancel Pawl	6	x	x
66070	Eyelet.	50	x	x
66071	Spring, Cancel	50	x	x
66072	Spring, Solenoid Return	50	x	x
66074	Spring, Accumulator Wheel	50	x	x
66082	Switch Assembly, Key	4	x	x
66122	Front Plate and Shaft Assembly	2	x	x
66124	Cancel Wheel Assembly	4	x	x
66125	Pivot Arm and Pawl Assembly	5	x	x
66127	Pin and Pawl Assembly	5	x	x
66128	Coin Magnet and Bracket Assembly	4	x	x
66129	Lever, Hub and Stud Assembly.	4	x	x

Part No.	Description	Page No.	2600	2610
66130	Hub and Lever Assembly, Lockout	50	x	x
66131	Accumulator Wheel and Hub Assembly.	4	x	x
66132	Stop Lever and Spring Assembly.	2	x	x
66133	Silk Screen and Indexing Strip, Quarter	50	x	x
66135	Silk Screen and Indexing Strip - Dime or Half Dollar	50	x	x
66182	Plate, Lift Arm Guide	17	x	
66186	Contact Plate Assembly	55	x	x
66378	Stud, Shock Mount	69	x	x
66445	Pin, Hinge.	2	x	x
66580	Flanged Washer, Main Cam Shaft	66	x	x
67439	Lamp, Mazda No. 55.	57	x	
67464	Line Cord Assembly	69	x	x
67920	Rotating Plate, Selector	56	x	
67926	Rocker, Rotating Plate	10	x	
67927	Wobble Ring.	11	x	
67928	Support Casting, R. H.	67	x	
68102	Turntable and Shaft Assembly	31	x	x
68192	Coin Return Cup Casting	71	x	x
68290	Guide Plate, Record Lift Arm	67	x	
68300	Shaft, Actuator Assembly	72	x	x
68310	Bracket, Coin Switch.	3	x	x
68375	Record Guide and Bracket Assembly, R. H.	62	x	x
68376	Record Guide and Bracket Assembly, L. H.	62	x	x
68483	Sleeve and Bushing Assembly, Selector Crank	15	x	
68491	Pin, Actuator Arm	15	x	x
68496	Plunger, Selector Coil Solenoid	10	x	
68521	Tapping Plate	67	x	
68526	Stop Lever, Cancel Sleeve	15	x	
68552	Lower Coin Chute Assembly	2	x	x
68558	Shaft, Selector Crank Release	15	x	
68559	Actuator Arm and Hub Assembly, Loading	15	x	
68567	Link, Selector Crank Release	15	x	
68582	Contact Plate Assembly.	68	x	
68594	Solenoid, Selector, Letters	56	x	
68601	Switch Assembly, Latch	51		x
68608	Plunger, Stop Solenoid, Selector.	56	x	
68617	Solenoid, Selector Stop No. 2 to 0	9	x	
68649	Shoulder Screw, Selector.	56	x	
68650	Spacer, Wobble Ring	11	x	
68651	Bracket and Roller Assembly.	56	x	
68656	Roller, Rotating Plate	56	x	
68657	Stud, Guide Roller	56	x	
68700	Support Casting, L. H.	67	x	
68711	Shaft, Lower Coin Chute	49	x	x
68717	Gear and Hub Assembly, Selector	9	x	
68755	Spring, Selector Rocker	56	x	
68757	Guide Bracket, L. H. Selector Support Casting	13	x	
68758	Guide Bracket, R. H. Selector Support Casting	13	x	
68759	Guide Bracket, L. H., Selector Casting.	13	x	
68760	Guide Bracket, R. H., Selector Casting.	13	x	
68770	Cancel Switch.	69	x	x
68774	Spring, Switch Lever.	68	x	x
68782	Spring, Release Lever Linkage	15	x	
68799	Silk Screen and Support Plate Assembly	14	x	
68804	Solenoid, Selector Stop No. 1	9	x	
68920	Terminal Strip	58	x	x
68936	Spring, Reject Rod	72	x	x

Part No.	Description	Page No.	2600	2610
68942	Timing Relay No. 2	57	x	
69066	Motor, Gear and Bracket Assembly	30	x	x
69089	Plug, 4 Prong, Tone Arm	60	x	x
69090	Socket, 4 prong.	63	x	x
69240	Relay, Reverse.	55	x	x
69244	Relay, Pulse	50	x	x
69247	Centering Shaft, Selector Shaft.	13	x	x
69569	Socket, Caster	72	x	x
69570	Caster.	72	x	x
69659	Stud, Eccentric, Guide Roller	56	x	
69839	Insulator, Switch.	56	x	
69841	Insulator, Switch.	56	x	
70901	Capacitor 65 to 93 Mfd., 50 V.	57	x	
71217-14	Capacitor .01 Mfd., 400 V.	58	x	x
71220-24	Capacitor, .022 Mfd., 400 V.	55	x	x
71227-12	Capacitor, 0.1 Mfd., 200 V.	57	x	x
71227-14	Capacitor, .1 Mfd., 400 V.	57	x	x
71499	Capacitor, 250 Mfd., 50 V.	59		x
71588-6	Silicon Rectifier, 500 P.I.V.	69	x	x
71588-12	Silicon Rectifier, 50 P.I.V.	69	x	x
71590-27	Fuse, 5 ampere	69	x	x
71590-33	Fuse, 8 ampere	69	x	x
71590-48	Fuse, 15 ampere	69	x	x
71591-6	Fuse, Slow Blo, .5 ampere.	58	x	x
71591-10	Fuse, Slow Blo, .8 ampere.	55	x	x
71591-15	Fuse, 1.6 ampere, Slow Blo	69	x	x
71594	Capacitor, 20 Mfd., 400 V., 100 Mfd., 250 V.	69	x	x
71595	Capacitor, 100 Mfd., 250 V.	69	x	x
71816	Capacitor, 500 Mfd., 50 V.	58	x	
71878-6	Strain Relief	69	x	x
71883-2	Resistor, 150 Ohm, 5 Watt.	51	x	x
71886-3	Resistor, 85 Ohm, 5 Watt	53	x	x
71887-2	Resistor, 25 Ohm, 5 Watt	59		x
72200-32	Resistor, 2200 Ohm, 1/2 Watt.	55	x	x
72298-32	Resistor, 27 Ohm, 1 Watt	57	x	
72314-32	Resistor, 120 Ohm, 1 Watt.	57	x	
72986-2	Resistor, 50 Ohm, 5 Watt	55	x	x
73093-142	Capacitor, .1 Mfd., 400 V.	55	x	x
73099-240	Capacitor, 0.5 Mfd., 400 V.	58	x	x
73475	Capacitor, 30-20-20-25 Mfd.	69	x	x
73502-95	Screw, 10-32 x 1", R. H.	20	x	
73502-99	Screw, 10-32 x 1-3/4", R. H.	29	x	x
73503-15	Screw, 3-48 x 3/8", R. H.	51	x	x
73503-24	Screw, 4-40 x 5/16", R. H.	60	x	x
73503-25	Screw, 4-40 x 3/8", R. H.	65	x	x
73503-71	Screw, 6-32 x 5/8", R. H.	24	x	x
73503-72	Screw, 6-32 x 3/4", R. H.	20		x
73503-74	Screw, 6-32 x 1", R. H.	26	x	x
73503-91	Screw, 8-32 x 3/4", R. H.	18	x	
73503-95	Screw, 8-32 x 1-1/4", R. H.	20	x	
73511-29	Set Screw, 8-32 x 3/16"	15	x	x
73513-19	Screw, Socket Head, 6-32 x 3/16".	61	x	x
73533-1	Screw, 4-40 x 3/16", R. H.	5	x	x
73533-2	Screw, 4-40 x 1/4", R. H.	51	x	x
73533-3	Screw, 4-40 x 5/16", R. H.	19	x	x
73533-7	Screw, 4-40 x 5/8", R. H.	67	x	
73533-21	Screw, 6-32 x 3/16", R. H.	6	x	x

Part No.	Description	Page No.	2600	2610
73533-22	Screw, 6-32 x 1/4", R. H.	4	x	x
73533-27	Screw, 6-32 x 5/8", R. H.	51	x	x
73533-29	Screw, 6-32 x 7/8", R. H.	60	x	x
73533-30	Screw, 6-32 x 1", R. H.	60	x	x
73533-34	Screw, 8-32 x 1/4", R. H.	6	x	x
73533-35	Screw, 8-32 x 5/16", R. H.	11		x
73533-38	Screw, 8-32 x 1/2", R. H.	24	x	x
73533-39	Screw, 8-32 x 5/8", R. H.	6	x	x
73533-40	Screw, 8-32 x 3/4", R. H.	15		x
73533-44	Screw, 8-32 x 1-1/4", R. H.	6	x	x
73533-105	Screw, 3-48 x 7/16", R. H.	67	x	
73534-14	Screw, 5-40 x 3/8", Binding Hd.	22	x	x
73571-22	Screw, 10-32 x 1-1/2" Socket Hd.	72	x	x
73574-31	Screw, 4-40 x 1", R. H.	22	x	x
73574-33	Screw, 4-40 x 1-1/4", R. H.	22	x	x
73575-100	Screw, 10-32 x 2", R. H.	28	x	x
73586-2	Screw, 2-56 x 3/16", F. H.	66		x
73592-21	Screw, 5/8" - 8, R. H., P. K., Type A.	2	x	x
73592-24	Screw, 1-8, Parker Kalon, R. H.	72	x	x
73601-3	Nut, 4-40, Hex.	51	x	x
73602-77	Nut, 1/2" - 20, Hex	56	x	
73606-1	Lock Washer, #2, Countersunk	66		x
73607-12	Lock Washer, Internal, 7/16".	31	x	x
73607-13	Lock Washer, 1/2", Internal	56	x	
73632-4	Spring Washer	49	x	x
73637-10	Nut, Tinnerman	65	x	x
73656-74	Screw, 6-32 x 1", R. H.	23	x	x
73660-86	Screw, 8-32 x 3/4", Hex	61	x	x
73660-161	Adjusting Screw, 10-32 x 1-1/4", Hex Hd.	16	x	x
73676-47	Adjusting Screw, 10-32 x 5/16", R. H.	17		x
73692-49	Screw, 10-32 x 7/16", R. H.	11		x
73724-12	Retaining Ring	66		x
73724-15	Retaining Ring	53	x	x
73724-18	Retaining Ring	53	x	x
73724-21	Retaining Ring	50	x	x
73724-25	Retaining Ring	61	x	x
73724-31	Retaining Ring	56	x	
73724-50	Retaining Ring	55		x
73724-87	Retaining Ring	65	x	x
73727-112	Retaining Ring	66	x	x
73728-12	Retaining Ring	61	x	x
73728-18	Retaining Ring	61	x	x
73728-25	Retaining Ring	25	x	x
73728-31	Retaining Ring	66	x	x
73728-37	Retaining Ring	71	x	x
73782-4	Roll Pin	51	x	x
73782-11	Roll Pin	61	x	x
73782-32	Roll Pin	56	x	
73782-48	Roll Pin	15	x	x
73782-49	Roll Pin	66	x	x
73782-51	Roll Pin	63	x	x
73782-66	Roll Pin	66	x	x
73782-70	Roll Pin	66	x	x
73782-85	Roll Pin	67	x	x
73782-88	Roll Pin	67	x	x
73785	Lock Nut, 10-32, Hex., Special.	16	x	x
73787-25	Screw, 4-40 x 3/8", Truss Head	72	x	x

Part No.	Description	Page No.	2600	2610
73793-86	Screw, 8-32 x 3/4", Hex.	28	x	x
73793-87	Cap Screw, 8-32 x 7/8", Hex.	55		x
73793-88	Cap Screw, 8-32 x 1", Hex.	9	x	
73793-118	Cap Screw, 10-32 x 1/2", Hex.	14	x	
73793-122	Cap Screw, 10-32 x 1", Hex.	9	x	
73793-124	Cap Screw, 10-32 x 1-1/2", Hex.	15	x	
73793-125	Cap Screw, 10-32 x 1-3/4", Hex.	15		x
73793-150	Cap Screw, 1/4 - 20 x 1", Hex.	13	x	
73793-151	Cap Screw, 1/4 - 20 x 1-1/4", Hex.	14	x	
73793-230	Screw, 10-32 x 1-1/8", Hex.	30	x	x
73800	Screw, 6-32 x 1-3/8", R. H.	23	x	x
73835-55	Capacitor, 4 Mfd., 250 V.	58	x	x
73862	Capacitor, 100 Mfd., 50 V.	55		x
73864	Capacitor, 20 Mfd., 50 V.	57	x	
73865-1	Stop Nut, Nylok, 4-40	72	x	x
73865-8	Stop Nut, Nylok, 10/32	27	x	x
73866-1	Trimount Stud.	74	x	
73889-620	Capacitor, 150 Mfd., 50 V.	55		x
74147	Capacitor, Non-Polarized, 2 Mfd., 25 V.	72	x	x
74288-6	Screw, 4-40 x 1/2", R. H., Nylon	4	x	x
74288-25	Screw, 8-32 x 5/8", R. H., Nylon	24	x	x
74288-26	Adjusting Screw, 8-32 x 3/4", R. H., Nylon	27	x	x
74325-24	Capacitor, .22 Mfd., 400 V.	53	x	x
74335-22	Screw, 6-32 x 7/16", Truss Head, Type 23.	62	x	x
74339-39	Set Screw, 10-32 x 3/16".	63	x	x
74402-1	Internal Hair Pin Cotter	56	x	x
74441-4	Speed-Nut, Tinnerman	71	x	x
110077	Washer	67	x	x
110190	Input Cable Assembly.	32	x	x
110453	Lamp Socket Assembly.	57	x	
110480	Spring, Latch Pins	11	x	
110557	Switch, Licon.	20	x	x
110558	Switch, Reversing and Start	9	x	x
110595	Tip, Actuator, Black	69	x	x
110875	Angle and Guard, Coin Switch	49	x	x
110930	Tip and Mounting Bracket Assembly, Outer	15	x	
110934	Spring, Cancel Arm	66	x	x
110936	Tip and Mounting Bracket Assembly, Inner	14	x	
110937	Switch Lever and Stop Nut Assembly.	20	x	
110939	Actuator Arm and Link Assembly	68	x	
110941	Latch Pin, Selector, Inner	10	x	
110942	Latch Pin, Selector, Outer.	11	x	
110944	Selector Crank and Bracket Assembly	68	x	
110946	Mounting Plate and Bushing Assembly	68	x	
110965	Lamp, 25 Watt, Fluorescent, 30"	72	x	x
111027	Selector Plates and Spacer Assembly	11	x	
111481	Rotating Plate and Rocker Assembly.	9	x	
111527	Contact, "Amplok".	51	x	x
111566	Ballast, Fluorescent, 25 Watt Dual	72	x	x
111720	Crank and Link Assembly, Solenoid.	53	x	x
111798	Shell	72	x	x
111816	Lamp, 2 Pin, Miniature	51	x	x
111817	Socket, 2 Pin	51	x	x
111897	Shaft, Link and Lever Assembly, Switch Interlock, Letters	6	x	x
111898	Shaft, Link and Lever Assembly, Switch Interlock, Numbers	6	x	x
111913	Motor and Gear Assembly, Selector.	56	x	
111999	Thumb Screw, Selector Casting	71	x	x

Part No.	Description	Page No.	2600	2610
112070	Cover Assembly, Coin Register Mechanism	72	x	x
112104	Solenoid Assembly, Switch Interlock	7	x	x
112104-1	Plunger, Solenoid, Switch Interlock	7	x	x
112188	Socket, 2 prong.	72	x	x
112222	Speed Clip, Cable Clip	72	x	x
112417	Adjusting Clip, Link, Selector Switch	6	x	x
112494	Relay, Timing No. 1	50	x	x
113199	Support Casting and Bushing Assembly.	60	x	x
113204	Pivot Casting and Arm Assembly	67	x	
113205	Bracket and Stop Nut Assembly	67	x	
113210	Reset Lever Assembly, Play Meter	64	x	
113216	Bracket and Nut Assembly	66		x
113285	Coin Bag Housing Assembly	72	x	x
113299	Actuator Arm Assembly, Transfer Switch	22	x	x
113325	Connector, Sonotone Cartridge	60	x	x
113387	Connecting Bracket, Carrier Ring	65		x
113408	Carrier Ring and Silk Screen Assembly, A1-C5	65		x
113409	Carrier Ring and Silk Screen Assembly, C6-E0	65		x
113410	Carrier Ring and Silk Screen Assembly, F1-H5	65		x
113411	Carrier Ring and Silk Screen Assembly, H6-K0	65		x
113420	Receptacle, Dual, Single Prong	69	x	x
113527	Cap, 6 circuit.	51	x	x
113528	Socket, 6 circuit	51	x	x
113687	Record Play Counter	65		x
113789	Contact, #20 to #15 Wire.	61	x	x
114046	Tube, 7025	33	x	x
114048	Tube, 6973	69	x	x
114064	Carrier Ring and Silk Screen Assembly, F2-L1	64	x	
114065	Carrier Ring and Silk Screen Assembly, A1-R2	64	x	
114066	Carrier Ring and Silk Screen Assembly, L2-R1	64	x	
114067	Carrier Ring and Silk Screen Assembly, A2-F1	64	x	
114258	Mounting Plate and Socket Assembly.	63	x	x
114323	Wire and Plug Assembly, Tone Arm.	60	x	x
114324	Plug, 12 Prong, Amphenol	58	x	x
114325	Socket, 12 Prong	55	x	x
114346	Stepper Switch Assembly.	58	x	
114346-A	Release Latch Relay	58	x	x
114346-AA	Armature & Pawl Spring	58	x	x
114346-B	Step Magnet.	58	x	x
114346-BA	Pawl Only.	58	x	x
114346-BB	Armature - Step Magnet	59	x	x
114346-BC	Contact Assembly - Step Magnet.	59	x	x
114346-C	Delrin Ratchet Wheel, Numbers	58	x	
114346-D	Delrin Ratchet Wheel, Letters.	58	x	x
114346-E	Contact Plate Assembly, Numbers.	58	x	
114346-F	Contact Plate Assembly, Letters	58	x	
114346-G	Contact Arm, Numbers or Letters	58	x	
114346-J	Frame, Contact Plate, Numbers.	58	x	x
114346-K	Frame, Contact Plate, Letters	58	x	x
114463	Potentiometer, Balance Control	69	x	x
114484	Spring, Tone Arm Pressure	60	x	x
114528	Stepper Switch Assembly.	59		x
114528-E	Contact Plate Assembly, 2 circuit	59		x
114528-F	Contact Plate Assembly, 4 circuit	59		x
114528-G	Contact Arm Assembly, 2 circuit	59		x
114528-H	Contact Arm Assembly, 4 circuit	59		x
115411	Stop Pin, Rotating Plate	10	x	

Part No.	Description	Page No.	2600	2610
115555	Tube, 7199	69	x	x
115660	Tone Arm Stop Pin Assembly.	26	x	x
115668	Arm and Rivet Assembly, Selector Shaft	66	x	x
115669	Selector Shaft and Adjusting Plate Assembly.	20	x	
115684	Casting, Record Holder	64	x	
115750	Casting, Record Holder	65		x
115752	Selector Shaft Assembly	20		x
115761	Mounting Plate and Bushing Assembly	68		x
115765	Switch Lever and Stop Nut Assembly.	20		x
115767	Actuator Arm and Link Assembly	68		x
115769	Contact Plate Assembly.	68		x
115770	Selector Crank and Bracket Assembly.	68		x
115772	Sleeve and Bushing Assembly, Selector Crank	15		x
115775	Switch Mounting Bracket	15		x
115776	Shaft, Selector Crank Release	15		x
115777	Stop Lever and Stop Nut Assembly.	15		x
115782	Stud, Selector Mounting	15		x
115787	Rotating Plate.	55		x
115788	Rocker - Long	55		x
115789	Stop Bracket, Selector	55		x
115796	Wobble Plate, Selector	55		x
115798	Adjusting Bracket, Hub and Stop Nut Assembly	55		x
115802	Centering Yoke, Hub and Pin Assembly	55		x
115806	Latch Pin, Selector, Inner	55		x
115807	Latch Pin, Selector, Outer.	55		x
115812	Centering Shaft and Plate Assembly	11		x
115821	Spring, Centering Yoke	55		x
115822	Guide Plate, Centering Yoke	55		x
115823	Guide, Centering Yoke	55		x
115824	Stop, Centering Yoke.	55		x
115825	Fall Support Assembly.	59		x
115831	Spacer, Fall Support.	59		x
115832	Spring and Clip Assembly	59		x
115837	Latch Bar, Junction Box	55		x
115851	Coin Register Mechanism (Playrak)	2	x	x
115856	Chassis Frame Casting and Plate Assembly.	66		x
115862	Stop Arm and Rivet Assembly	55		x
115909	Plate and Spacer Assembly.	55		x
115915	Mounting Casting Assembly, Electric Selector.	10	x	
115918	Contact Assembly, Electric Selector.	55		x
115973	Spring, Selector	55		x
115975	Solenoid, Driver	55		x
116023	Chassis Frame Casting and Plate Assembly.	16	x	
116252	Connector Link, Numbers Switch	7		x
116255	Connector Link, Numbers Switch	6	x	
116259	Connector Link, Letters Switch	7		x
116260	Connector Link, Letter Switches	6	x	
116317	Select Button	53	x	x
116318	Reset Button	53	x	x
116329	Mounting Rail and Bracket Assembly, Chassis Mounting, R.H. 72	72	x	x
116330	Mounting Rail and Bracket Assembly, Chassis Mounting, L.H. 72	72	x	x
116369	Adjusting Clip, Link, Selector Switch	6	x	x
116645	Power Transformer, 50-60 Cycle, Amplifier	69	x	x
116723	Slide Switch, Spring Return	53	x	x
116724	Slide Switch.	55	x	x
116725	Cartridge, Sonotone, Stereo	27	x	x
116727	Needle, Double Sapphire, .7 Mil	26	x	x

Part No.	Description	Page No.	2600	2610
116732	Tip and Mounting Bracket Assembly, Outer	68		x
116733	Tip and Mounting Bracket Assembly, Inner	68		x
116740	Support Bracket Assembly, Heat Shield	72	x	x
116831	Stud, Eccentric, Lift Arm Guide	17	x	
116833	Roller - Lift Arm Guide	64	x	
116837	Bracket and Roller Assembly, Lift Arm Guide	17	x	
116986	Gear and Ratchet Wheel Assembly.	30	x	x
116997	Pinion Gear	30	x	x
117048	Pulse Relay, Stepper Assembly	58	x	x
117048-A	Contacts	58	x	x
117242	Bracket, Support Plate	14	x	
117243	Tapping Plate	14	x	
117252	Plate and Pin Assembly.	67	x	
117254	Bumper, Record Guide	62	x	x
117689	Rubber Grommet	53	x	x
117691	Pawl, Spring Stud and Spacer Assembly, Switch Interlock	8	x	x
117692	Rocker, Short	55		x
117694	Trip Lever, Stud and Spacer Assembly, Switch Interlock	7	x	x
117695	Trip Lever and Spacer Assembly, Numbers	8	x	x
117794	Mounting Bracket Assembly	61	x	x
117823	Cap, 3 circuit, Amp Lock	26	x	x
117824	Socket, 3 circuit	11	x	
117986	Mounting Plate and Spring Stud Assembly	55		x
117987	Magnet and Frame Assembly.	55		x
118182	Segment, Record Indicator Ring, N6-T5	64	x	
118183	Segment, Record Indicator Ring, H6-N5	64	x	
118184	Segment, Record Indicator Ring, C6-H5	64	x	
118185	Segment, Record Indicator Ring, C5-T6	64	x	
118199	Segment, Record Indicator Ring, D7-G1	65		x
118200	Segment, Record Indicator Ring, B1-J7	65		x
118201	Segment, Record Indicator Ring, B4-D8.	65		x
118202	Segment, Record Indicator Ring, G4-J8.	65		x
118254	Hub, Selector Drive Clutch	66	x	x
118332	Record Guide Plate	23	x	x
118405	Anti-Cheat Guard and Bracket Assembly	71	x	x
118406	Coin Hopper Assembly	72	x	x
118412	Lock and Key Assembly	71	x	x
118447	Timing Relay	59		x
118450	Transfer Relay	59		x
118467	Timing Relay, #3.	57	x	
118529	Heat Shield	72	x	x
118551	Transfer Relay	58	x	
118553	Timing Relay	58	x	
118611	Mounting Bracket, Side Program Holder, R. H.	72	x	x
118612	Mounting Bracket, Side Program Holder, L. H.	72	x	x
118618	Spring Clip	72	x	x
118629	Lock Assembly, Back Door.	72	x	x
118633	Key, RW 95.	72	x	x
118645	Cable Retainer	72	x	x
118664	Rectifier, Selenium	55		x
118713	Retainer Clip, Decorative Panel	74		x
118936	Spacer, Record Indicator Ring	65	x	x
119025	Spring, Return, Reject Button.	72	x	x
119051	Oil Tube.	61	x	x
119080	Brush	29	x	x
119107	Coin Switch Assembly, 5-10-25-50¢.	2	x	x
119107-A	Long Paddle.	4	x	x

Part No.	Description	Page No.	2600	2610
119107-B	Short Paddle.	3	x	x
119107-C	Long Shaft.	49	x	x
119107-D	Long Spacer.	49	x	x
119107-E	Iron Washer.	49	x	x
119107-F	Copper Washer.	49	x	x
119266	Contact Spring and Hub Assembly, Kit 162	51	x	x
119275	Motor, Programer	51	x	x
119351	Contact Plate Assembly.	51	x	x
119356	Mounting Bracket.	51	x	x
119357	Mounting Bracket and Stud Assembly.	51	x	x
119406	Guide Washer, T. T. Pilot.	63	x	x
119409	Cam, Clamp Lever.	63	x	x
119410	Pilot, Turntable	63	x	x
119413	Shaft, Turntable Pilot Clamp Levers.	24	x	x
119414	Cup Washer, Turntable Spring	63	x	x
119420	Tube, Turntable Pilot	63	x	x
119422	Spring, Turntable Pilot.	63	x	x
119423	Spring, Clamp	24	x	x
119424	Spring, Record Lever	63	x	x
119425	Spring, Turntable Cam	24	x	x
119426	Spring, Turntable Release Arm	25	x	x
119428	Adjusting Nut.	24	x	x
119429	Cam, Record Clamp	24	x	x
119432	Cup Washer, Turntable Cam Lever	63	x	x
119433	Pivot Bracket	25	x	x
119439	Plate and Arms Assembly	63	x	x
119441	Turntable Release Arm Assembly.	24	x	x
119443	Cam Lever and Roller Assembly.	24	x	x
119445	Spacer, Pivot Bracket	63	x	x
119450	Actuating Arm Assembly.	63	x	x
119464	Transfer Relay.	51	x	x
119498	Spring, Cam Lever.	63	x	x
119584	Collar, Shaft, Tone Arm.	63	x	x
119743	Speaker, 12", Permanent Magnet	32	x	x
119744	Gear and Shaft Assembly, R. H., T. T. Drive Motor	61	x	x
119745	Gear and Shaft Assembly, L. H., T. T. Drive Motor	61	x	x
119750	Pulley, 45 R. P. M.	61	x	x
119751	Pulley, 33-1/3 R. P. M.	61	x	x
119753	Contact Plate and Wire Assembly, Printed Board	51	x	x
119758	Mounting Bracket and Angle Assembly.	61	x	x
119767	Pivot Pin	61	x	x
119769	Support Bracket, Motor Mount	61	x	x
119770	Link.	61	x	x
119772	Hinge Pin	61	x	x
119779	Tip, Adjusting Screw, Turntable Motor	26	x	x
119784	Switch Assembly, Lock Coil.	25	x	x
119785	Switch, Toggle	15	x	x
119788	Mounting Plate and Stop Nut Assembly, Turntable Drive Motor	26	x	x
119789	Shim	61	x	x
119790	Turntable Motor and Worm Assembly	61	x	x
119792	Mounting Channel and Bushing Assembly	61	x	x
119793	Support Bracket and Spring Assembly	24	x	x
119795	Selector Lever and Yoke Assembly	26	x	x
119812	Cover, Program Slip.	71	x	x
119822	Solenoid.	26	x	x
119822-1	Plunger	26	x	x
119823	"O" Ring, 33-1/3.	61	x	x

Part No.	Description	Page No.	2600	2610
119824	"O" Ring, 45	61	x	x
119826	Solenoid Assembly	24	x	x
119829	Steel Ball	61	x	x
119832	Pulley, 45 R. P. M.	26	x	x
119833	Pulley, 33-1/3 R. P. M.	26	x	x
119842	Spring.	26	x	x
119845	Switch Assembly	24	x	x
120067	Spring, Number Latch, Selector Switch Assembly	53	x	x
120172	Spring Guide	63	x	x
120254	Spring Guide	63	x	x
120255	Eyelet.	61	x	x
120283	Stop Bracket, Record Clamp Lever	66	x	x
120383	Roller, Record Lift Arm.	66		x
120384	Pivot Casting and Arm Assembly	66		x
120417	Kick Plate, L. H.	71	x	x
120418	Kick Plate, R. H.	71	x	x
120419	Extrusion, Lower Front Glass.	71	x	x
120420	Grille Screen	71	x	x
120421	Extrusion, L. H. Side	71	x	x
120422	Extrusion, R. H. Side	71	x	x
120423	Kick Plate, Front.	71	x	x
120424	"W" Casting, Front, Grille	71	x	x
120425	Front Casting, R. H.	71	x	x
120426	Front Casting, L. H.	71	x	x
120427-A	Di-Noc Side.	71	x	x
120428	Canopy	72	x	x
120429	Extrusion, Canopy, Bottom	71	x	x
120432	Extrusion, Door Frame	71	x	x
120435	Bracket and Stop Nut Assembly	60	x	x
120438	Shaft, Tone Arm Brush	60	x	x
120440	Decorative Background.	60	x	x
120441	Bracket, Decorative Background, Upper, Support.	60	x	x
120444	Casting, Record Guide, Front	62	x	x
120445	Bracket and Stop Nut Assembly.	62	x	x
120448	Tone Arm and Wire Assembly, Stereo.	32	x	x
120451	Gimbal and Stop Nut Assembly.	60	x	x
120452	Mounting Casting and Pin Assembly	60	x	x
120455	Arm, Brush, Tone Arm	29	x	x
120457	Extrusion, Canopy Frame	72	x	x
120462	Back Rail Assembly.	72	x	x
120464	Program Holder and Silk Screen Assembly, A1-D0	74	x	x
120465	Program Holder and Silk Screen Assembly, E1-H0	74	x	
120466	Program Holder and Silk Screen Assembly, L1-M0.	74	x	
120467	Program Holder and Mounting Bracket Assembly, J1-K0	74	x	
120469	Record Indicator Panel.	74	x	x
120470	Program Holder and Silk Screen Assembly, N1-R0	74	x	
120471	Program Holder and Silk Screen Assembly, S1-V0	74	x	
120472	Program Holder Frame and Extrusion Assembly	74	x	
120473	Program Holder Frame and Extrusion Assembly, R. H.	74	x	
120474	Program Holder Frame and Extrusion Assembly, L. H.	74	x	
120475	Label, Program Numbers, A1-K1	71	x	x
120476	Label, Program Numbers, A1-A0	71	x	x
120477	Program Holder and Silk Screen Assembly, E1-F0	74		x
120478	Program Holder and Silk Screen Assembly, G1-K0	74		x
120479	Program Holder Frame and Extrusion Assembly	74		x
120480	Program Holder Frame and Extrusion Assembly, R. H.	74		x
120481	Program Holder Frame and Extrusion Assembly, L. H.	74		x

Part No.	Description	Page No.	2600	2610
120482	Frame, Cash Box Door	71	x	x
120484	Coin Box Door.	71	x	x
120486	Lower Back Door Assembly	72	x	x
120491	Wurlitzer Music	74	x	x
120492	Todays Top Tunes	74	x	x
120493	Country and Western	74	x	x
120494	Rhythm and Blues	74	x	x
120495	Rock and Roll.	74	x	x
120496	New Pop Records	74	x	x
120497	Polkas and Waltzes	74	x	x
120498	Stereophonic Music.	74	x	x
120499	Classical and Old-Favorites	74	x	x
120500	Jazz and Novelty	74	x	x
120503	Selector Switch, Numbers	53	x	
120504	Selector Switch, Letters	53	x	
120505	Selector Switch, Numbers	53		x
120506	Selector Switch, Letters	53		x
120507	Extrusion, Wing, L. H.	71	x	x
120508	Extrusion, Wing, R. H.	71	x	x
120509	Extrusion, Back Rub Rail, R. H.	72	x	x
120510	Extrusion, Back Rub Rail, L. H.	72	x	x
120514	Medallion, Casting	71	x	x
120515	Medallion	71	x	x
120517	Cheek Casting, R. H.	71	x	x
120518	Cheek Casting, L. H.	71	x	x
120528	Amplifier, Model 543, 60 Cycle	32	x	x
120542	Coin Denomination Plate and Silk Screen "Plays - 5-Quarter, 2-Dime, 1-Nickel.	53	x	x
120543	Instruction Plate and Silk Screen "Coins Quarters, Dimes & Nickels"	53	x	x
120555	Switch, Reset.	53	x	x
120558	Counter and Bracket Assembly.	53	x	x
120567	Mounting Bracket, Selector Extrusion, L. H.	53	x	x
120570	Mounting Bracket, Selector Extrusion, R. H.	53	x	x
120572	Box Select Light	53	x	x
120573	Cover, Select Light Box	53	x	x
120575	Door Glass, Dome	71	x	x
120576	Front Glass and Silk Screen Assembly.	71	x	x
120577	Mounting Plate, Speaker, 3-1/2"	32	x	x
120578	Retainer, Front Glass	71	x	x
120580	Coin Chute Assembly, Upper.	72	x	x
120584	Coin Chute Assembly, Lower	72	x	x
120588	Reject Rod	72	x	x
120590	Instruction Plate and Silk Screen "Coins - Half Dollars, Quarters, Dimes, Nickels"	53	x	x
120591	Coin Denomination Plate and Silk Screen "Plays - 7-Half Dollar, 3-Quarter, 1-Dime or 2 Nickels	53	x	x
120592	Lock Screw	53	x	x
120593	Clip, Plastic Retaining	53	x	x
120595	Window Casting and Latch Plate Assembly.	53	x	x
120600	Reject Button Assembly.	71	x	x
120603	Yoke and Rivet Assembly.	72	x	x
120608	Bracket, Reject Rod Pivot Support	72	x	x
120615	Guide Bracket, Reject Rod	72	x	x
120617	Grille Plate and Clip Assembly.	71	x	x
120627	Cross Rail and Silk Screen Assembly	72	x	x
120628	Front Panel.	71	x	x

Part No.	Description	Page No.	2600	2610
120632	Hinge, Dome	72	x	x
120633	Mounting Channel, Program Holder	72	x	x
120634	Support Bracket, Program Holders, R. H.	72	x	x
120636	Support Bracket, Program Holders, L. H.	72	x	x
120639	Glass Clamp, R. H.	71	x	x
120640	Glass Clamp, L. H.	71	x	x
120645	Upper Back Door Assembly.	72	x	x
120646	Light Deflector, R. H.	53	x	
120647	Light Deflector, R. H.	53		x
120648	Light Deflector, L. H.	53		x
120649	Light Deflector, L. H.	53	x	
120650	Coin Entry Chute Assembly	71	x	x
120653	Diffuser, Canopy	70	x	x
120655	Release Lever and Hub Assembly	15	x	x
120664	Extrusion and Stop Nut Assembly	53	x	
120667	Actuator and Pin Assembly, L. H.	71	x	x
120679	Glass Clamp and Brace Assembly, L. H.	70	x	x
120680	Glass Clamp and Brace Assembly, R. H.	70	x	x
120689	Transformer, Low Voltage, 50-60 Cycle	69	x	x
120691	Transformer, Hi-Fi Output	69	x	x
120692	Tip, Actuator.	69	x	x
120696	Rectifier and Mounting Bracket Assembly	69	x	x
120699	Control, Dual Volume, 500 K	69	x	x
120701	Printed Board Assembly	69	x	x
120706	Switch, Tone Control.	69	x	x
120709	Pivot Support, Program Holder, R. H.	72	x	x
120710	Pivot Support, Program Holder, L. H.	72	x	x
120712	Actuator and Pin Assembly, R. H.	71	x	x
120718	Lock Assembly, Dome	71	x	x
120719	Cover, Motor.	69	x	x
120744	Glass, Canopy	71	x	x
120754	Selector Button, Top Tunes.	51	x	x
120755	Select Plate, Top Tunes	51	x	x
120756	Window and Silk Screen Assembly, "Special".	51	x	x
120764	Switch, Top Tunes	51	x	x
120770	Speaker, 3-1/2", 3.5 ohms	32	x	x
120771	Locking Strike Pivot, R.	71	x	x
120772	Locking Strike Pivot, L.	71	x	x
120777	Speaker, 12", P.M., 16 ohm.	72	x	x
120778	Extrusion, Overlay, R. H.	71	x	x
120779	Extrusion, Overlay, L. H.	71	x	x
120780	Overlay, L. H.	71	x	x
120781	Overlay, R. H.	71	x	x
120783	Mounting Channel and Bracket Assembly	53	x	
120784	Mounting Channel and Bracket Assembly	53		x
120786	Release Rod, Fall Support	72	x	x
120792	Trip Lever Assembly, R. H.	72	x	x
120793	Trip Lever Assembly, L. H.	72	x	x
120797	Fall Support Assembly, Right	72	x	x
120798	Fall Support Assembly, Left.	72	x	x
120799	Lever and Bracket Assembly.	72	x	x
120802	Spring and Bracket Assembly, L. H.	72	x	x
120803	Spring and Bracket Assembly, R. H.	72	x	x
120804	Extrusion and Stop Nut Assembly	53		x
120813 thru 120822	Button Assembly A through K.	53	x	x

Part No.	Description	Page No.	2600	2610
120813-A	Complete Set of Buttons	53	x	
120813-B	Complete Set of Buttons	53		x
120823	thru			
120827	Button Assembly, 1 through 5	53	x	
120828	thru			
120832	Button Assembly, 6 through 0	53	x	x
120833	thru			
120842	Button Assembly, L through V	53	x,	
120843	thru			
120847	Button Assembly, 1 through 5	53		x
120852	Locking Lever and Strike Assembly, R. H.	71	x	x
120854	Locking Lever and Strike Assembly, L. H.	71	x	x
120856	Decorative Panel, R. H., Programs	74		x
120857	Decorative Panel, Programs	74		x
120873	Gasket, Canopy Glass, Top and Sides, 42-1/2".	71	x	x
120874	Gasket, Canopy Glass, Bottom, 30-5/8".	71	x	x
120875	Gasket, Door, 32-1/4".	71	x	x
120876	Gasket, Door, 18-3/8".	71	x	x
120877	Gasket, Door, 31-1/4".	71	x	x
120881	Decorative Glass, Canopy	71	x	x
120883	Moulding, R. H.	71	x	x
120884	Moulding, L. H.	71	x	x
120885	Gasket, Top, Canopy, 27-3/8".	71	x	x
120893	Retainer and Bracket Assembly	71	x	x
120896	Backing Plate and Pad Assembly	71	x	x
120901	Display Card, Upper, Blue.	71	x	
120902	Display Card, Lower, Blue.	71	x	
120903	Mounting Bracket and Spring Catch Assembly, R. H.	71	x	x
120907	Mounting Bracket and Spring Catch Assembly, L. H.	71	x	x
120926	Bracket, Support, Lower.	60	x	x
120927	Frame, "W" Casting	71	x	x
120928	Background, "W" Casting	71	x	x
120947	Light Diffuser and Paint Assembly.	71	x	x
120951	Bracket, Plug Mounting.	49	x	x
120957	Pin, Pivot	71	x	x
120959	Spring and Catch Assembly.	2	x	x
120960	Mounting Plate and Spring Catch Assembly	2	x	x
120964	Pin and Actuator Assembly.	72	x	x
120974-S	Coin Denomination Plate and Silk Screen			
	Plays - 10-Half Dollar, 5-Quarter, 1-Dime or 2 Nickels	53	x	x
120975-S	Coin Denomination Plate and Silk Screen	53	x	x
	Plays - 9-Half Dollar, 4-Quarter, 1-Dime or 2 Nickels			
120976-S	Coin Denomination Plate and Silk Screen	53	x	x
	Plays - 10-Half Dollar, 4-Quarter, 1-Dime or 2 Nickels			
120994	Decorative Panel, L. H., Programs.	74		x
121023	Light Diffuser.	53	x	x
121029-S	Display Card, Lower.	71	x	x
121059	Bracket and Stop Nut Assembly	26	x	x
121095	Solenoid.	61	x	x
121095-1	Plunger, Solenoid.	61	x	x
121202	Display Card, Lower, Red.	71		x
121203	Display Card, Upper, Red.	71		x
121208	Insert, Program Slip Retainer	71	x	x

Part No.	Description	Page No.	2600	2610
121211	Light Shield, Baffle Board	72	x	x
121216	Clamp, Light Diffuser	71	x	x
121227	Spring Cup, Tone Arm	60	x	x
121229	Trip Switch, Micro.	60	x	x
121240	Pin, Solenoid Shaft	61	x	x
121249	Bracket & Stop Nut Assembly Trip Switch	60	x	x
121251	Cable, Socket and Label Assembly.	51	x	x
121252	Cable, Socket and Tape Assembly, Kit 162C	51	x	
121253	Cable, Socket and Tape Assembly, Kit 162D	51		x
121260	Terminal Strip and Link Assembly.	69	x	x
121264	Spring Clip, Canopy	72	x	x
121268	Guide, Display Card	71	x	x
121280	Letters, Dome Display.	71	x	x
121301	Switch, D. P. S. T.	69	x	x
121319	Plug and Wire Assembly	55	x	x
121337	Adjusting Nut	63	x	x
121338	Adjusting Plate	63	x	x
121340	Light Diffuser and Stiffener Assembly.	71	x	x
121352	Light Socket and Wire Assembly.	53	x	x
121402	Decal, Top Tunes	71	x	x
121423	Label, "Press a Letter and a Number Button for Each Selection"	74	x	
121424	Label, "Make Selection after Deposition Each Quarter, Dime or Nickel	74	x	
121426	Guard, Coin Chute	72	x	x
121485	Label, Record Cover.	71	x	x