

WURLITZER

PHONOGRAPH

**SERVICE
MANUAL**

SERIES 3100



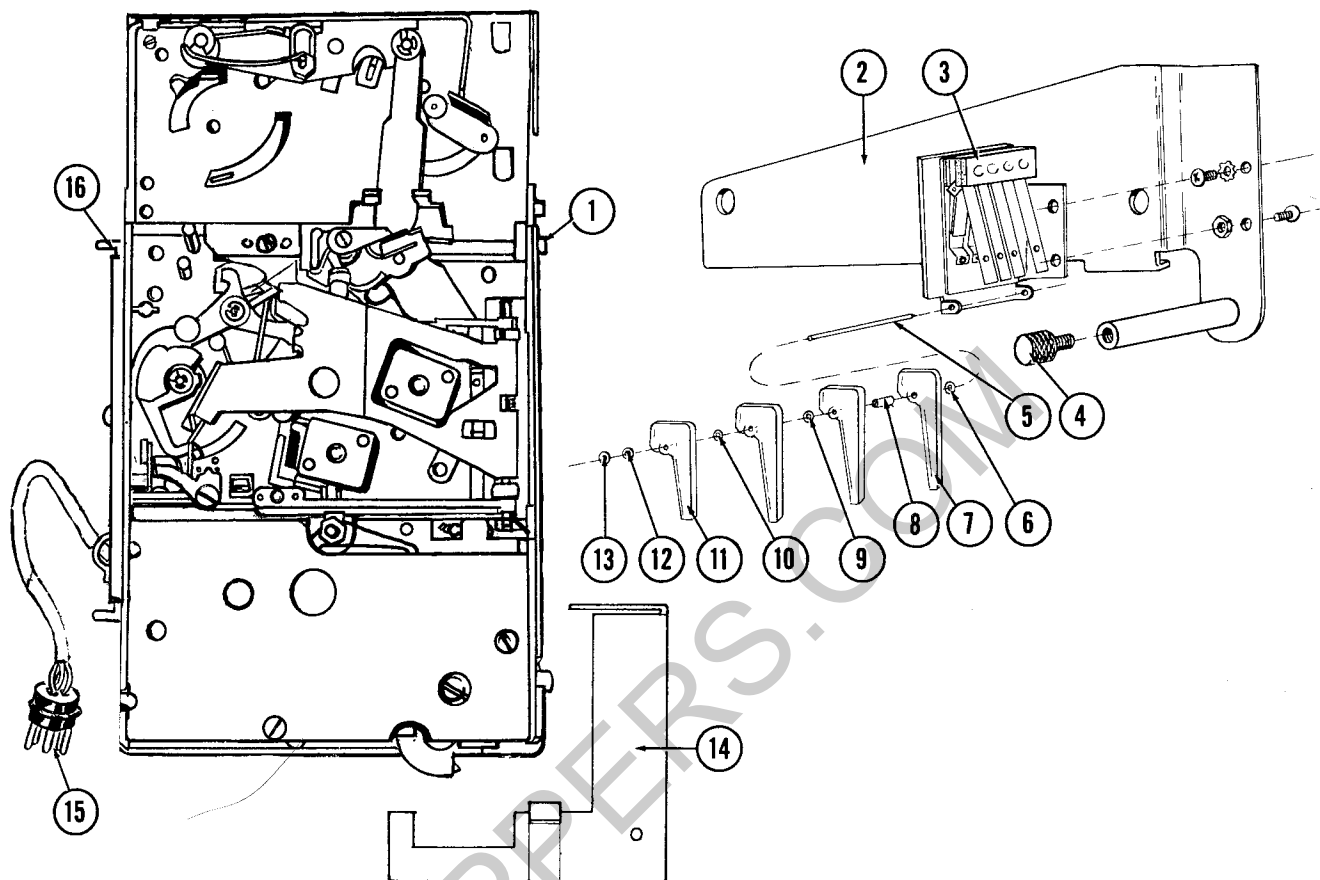


FIG. 12. SLUG REJECTOR ASSEMBLY

1. Slug Rejector, 5, 10, 25 & 50 Cents	69936	9. Copper Washer	119107-F
2. Mounting Bracket & Spacer Assy.	120962	10. Copper Washer	119107-F
3. Coin Switch Assy.	119107	11. Short Paddle	119107-B
4. Thumb Screw	35745	12. Iron Washer	119107-E
5. Shaft	119107-C	13. Iron Washer	119107-E
6. Copper Washer	119107-F	14. Angle & Guard Assy.	122834
7. Long Paddle (3)	119107-A	15. Plug, 5, Miniature	123619
8. Spacer	119107-D	16. Bracket, Pivot	123663

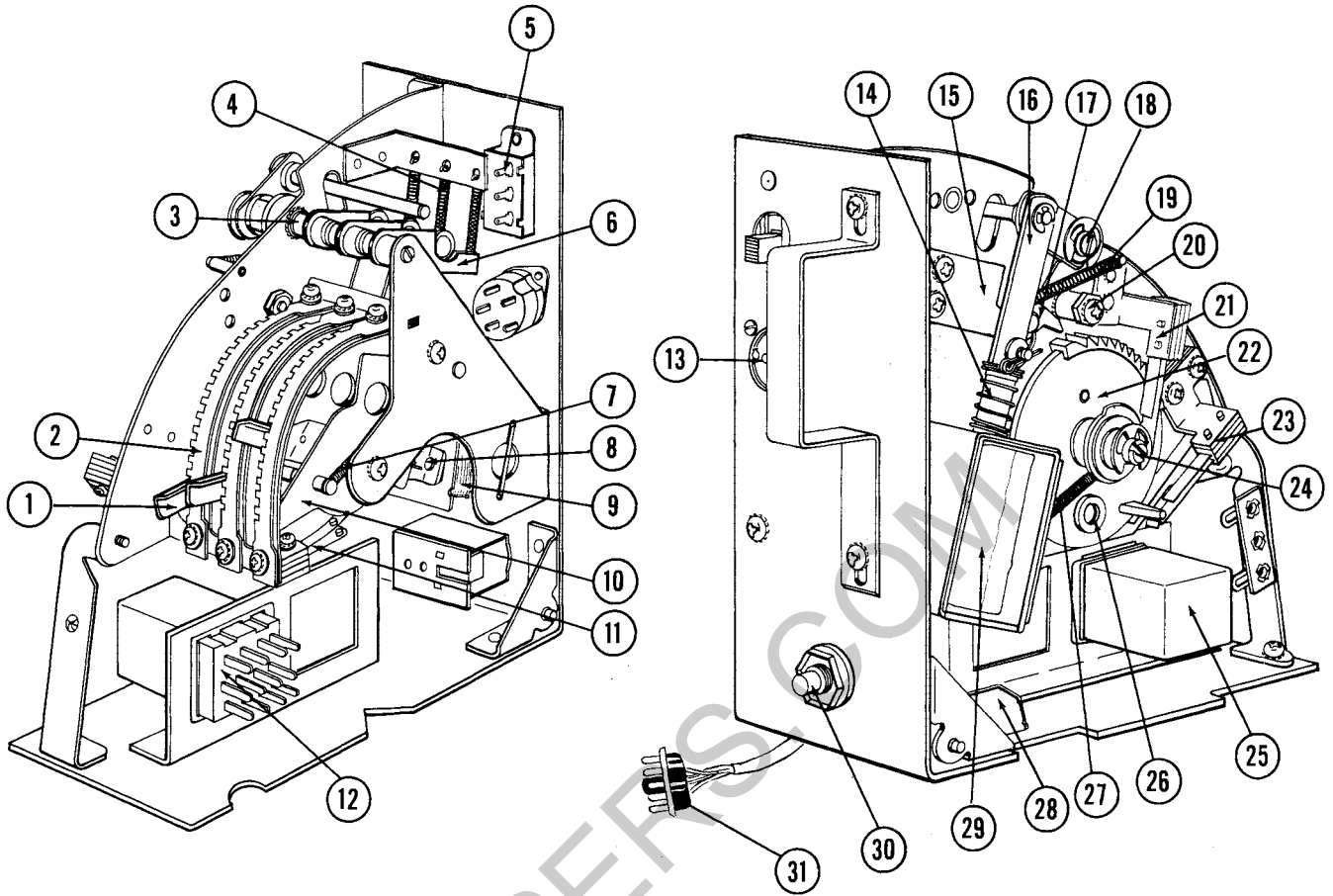
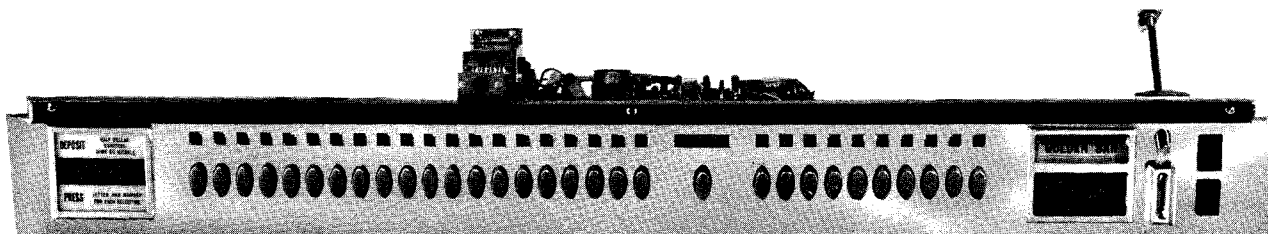


FIG. 13. COIN REGISTER MECHANISM (PLAYRAK)

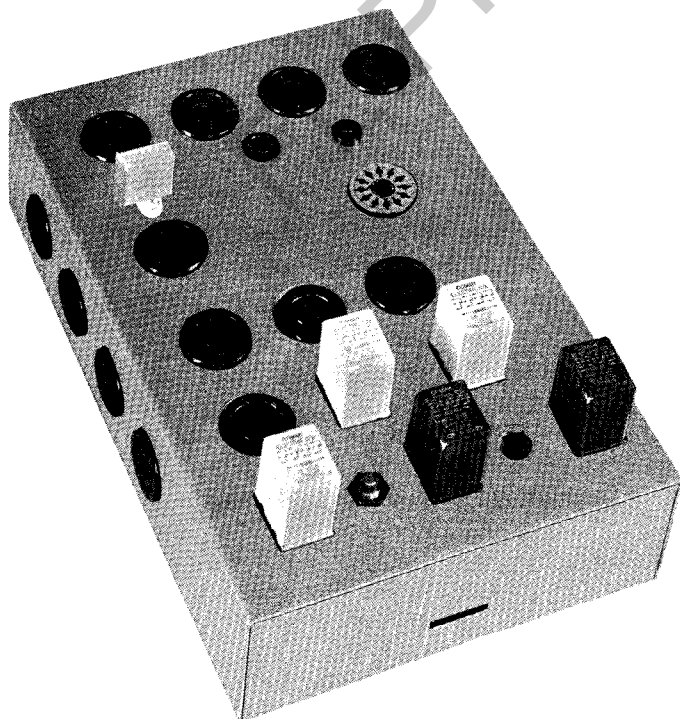
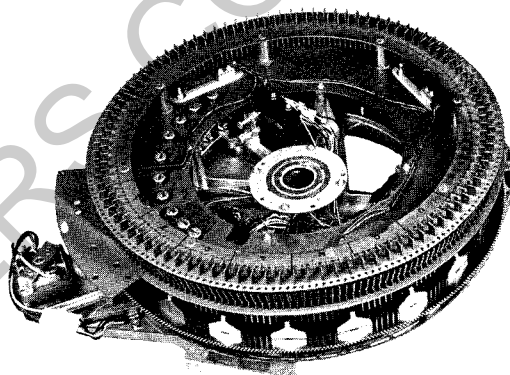
1. Stop Lever (3)	66132	17. Pivot Arm & Pawl	123637
2. Indexing Strip, 10¢	123659	Washer, Phosphor Bronze	63692
Indexing Strip, 25¢	123658	Washer	53541
Indexing Strip, 50¢	123657	18. Pivot Pin	123635
3. Shaft, Lockout Lever	123634	Retaining Ring	73724-25
4. Spring, Lockout Lever (3)	62145	19. Spring, Pawl	62145
5. Switch	126006	20. Adjustment Cam	42868
6. Lever, Lockout (3)	123648	21. Switch & Bracket Assy.	124473
7. Spring, Accumulator Wheel (3)	124849	Switch	126749
8. Coin Lever	123643	22. Cancel Wheel	123628
9. Coin Magnet & Bracket Assy.	123641	23. Switch & Bracket Assy.	66081
Coil (3)	65770	Switch	126749
10. Accumulator Wheel (3)	123650	24. Shaft	128575
11. Switch	124014	Retaining Ring	73724-25
12. Socket, Relay	122131	25. Relay, Red	122366
13. Socket, 5-Pin Miniature	123618	26. Screw, Nylon	74977-14
14. Spring, Return	66072	27. Spring, Cancel Wheel	66071
Eyelet (2)	66070	28. Strain Relief	71878-6
15. Stop Bracket	66069	29. Solenoid, Cancel	124925
16. Link	66065	30. Circuit Breaker	128782
Retaining Ring	73724-15	31. Plug, 11 Pin	38493

SELECTOR SWITCH AND ELECTRIC SELECTOR



200 KEYBOARD SELECTOR SWITCH ASSEMBLY

200 ELECTRIC SELECTOR



JUNCTION BOX

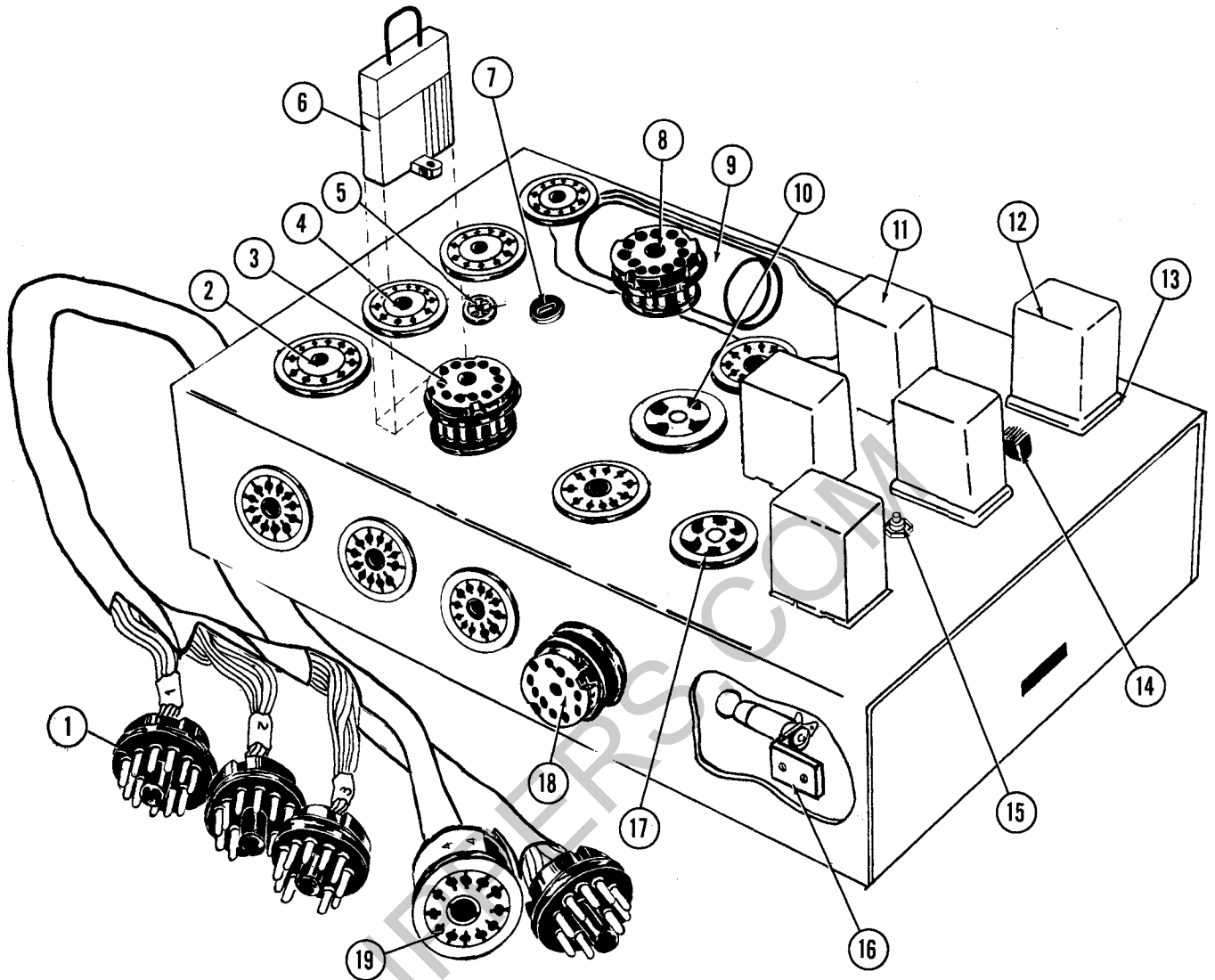


FIG. 18. JUNCTION BOX - 200

1. Plug, 11	121584	10. Socket, 4	30495
2. Socket, 12	114325	11. Relay, White Cover, 28V., D.C.	122133
3. Plug & Wire Assy., Red (T.T. Jumper)	123990	12. Relay, Red Cover, 24V., A.C.	122366
4. Socket, 11	38492	13. Socket, Relay, Without Color Code	122131
5. Socket, 4 Pin Min.	69090	14. Switch	123715
6. Socket, 4 Circuit	122650	15. Circuit Breaker	128801
Jumper Plug	126223	16. Lamp Socket	122358
7. Terminal Bushing	124835	Lamp, No. 303	122359
8. Plug & Wire Assy., Blue (Spec. Prog.)	124279	17. Socket, 6	32881
9. Capacitor, 124 Mfd., 50V., A.C.	74808	18. Plug & Wire Assy. (Stepper Jumper)	121319
Capacitor, 35 Mfd., 50V.	76356	19. Socket, 11	58898
Capacitor, 65-93 Mfd., 50V., A.C.	70901	Cap	16610
Capacitor, .047, 400V.	74569-24		
Capacitor, 100 Mfd., 50V.	73846-32		
Resistor, 310 ohm, 5W.	70684-2		

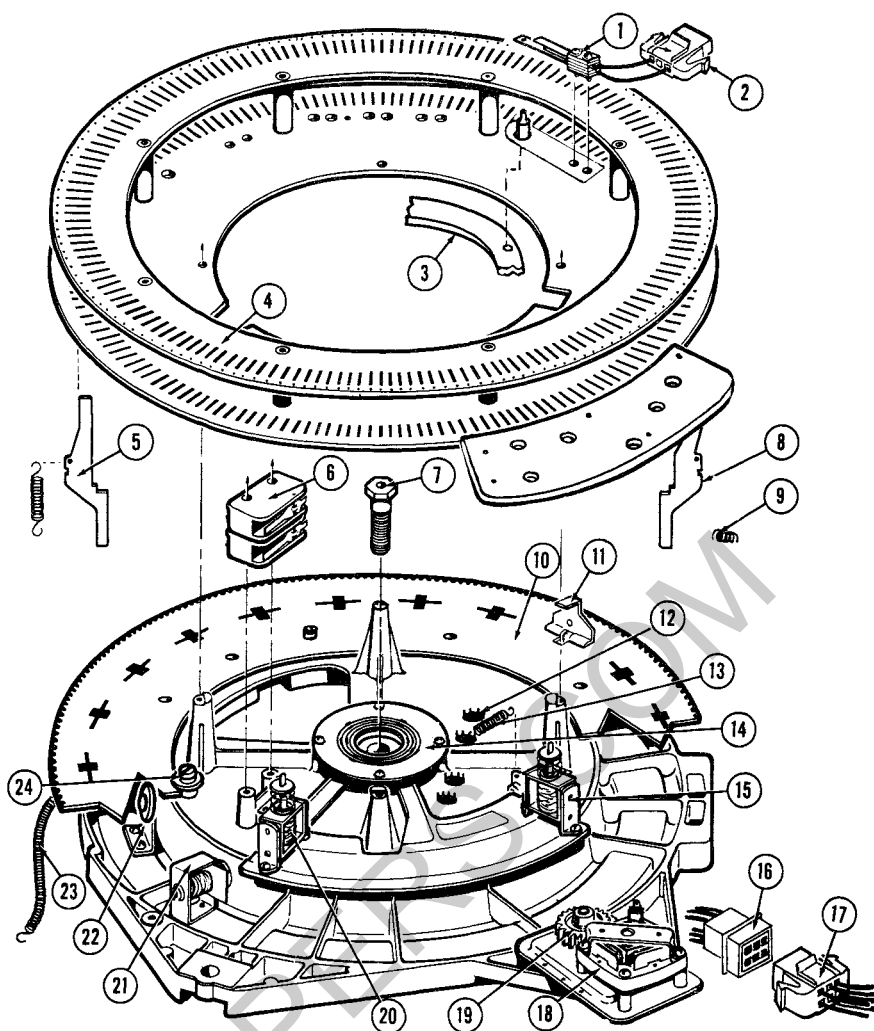


FIG. 19. ELECTRIC SELECTOR - 200

1. Switch (4)	65952	15. Solenoid, Selector Stop (1)	68804
Insulator	69839	Plunger	68608
2. Socket, 3 Circuit	117824	Washer	64766
Cap, 3 Circuit	117823	Spring	64780
3. Wobble Ring	67927	Internal Hair Pin	74402-1
Spacer (4)	68650	16. Cap, 6 Circuit	113527
4. Selector Plates & Spacer	123832	17. Socket, 6 Circuit	113528
5. Latch Pin, Inner (100)	110941	Contact (10)	111527
6. Switch (2)	110558	18. Motor & Gear	111913
7. Stud	69246	19. Gear, Pinion	68717
Lock Washer, 1/2	73607-13	Roll Pin	73782-32
Nut, 1/2-20	73602-77	20. Solenoid, Selector Stop (9)	68617
8. Latch Pin, Outer (100)	110942	21. Solenoid, Selector (20)	68594
9. Spring, Latch Pin (200)	110480	Plunger	64737
10. Rotating Plate	67920	Washer	64766
Stop Pin	115411	Spring	64780
Washer	28078	Internal Hair Pin	74402-1
11. Rocker, Rotating Plate (20)	67926	22. Bracket & Roller (3)	68561
12. Plug, 11 Prong	48501	23. Spring, Rotating Plate	68755
Socket, 11 Prong (3)	38492	Stop Pin, Rotating Plate (10)	115411
13. Spring, Number Quadrant	62773	24. Roller, Guide (3)	68656
14. Contact Plate	66186	Stud, Eccentric, Guide Roller	69659
		Stud, Guide Roller (2)	68657
		Retaining Ring (3)	73724-31

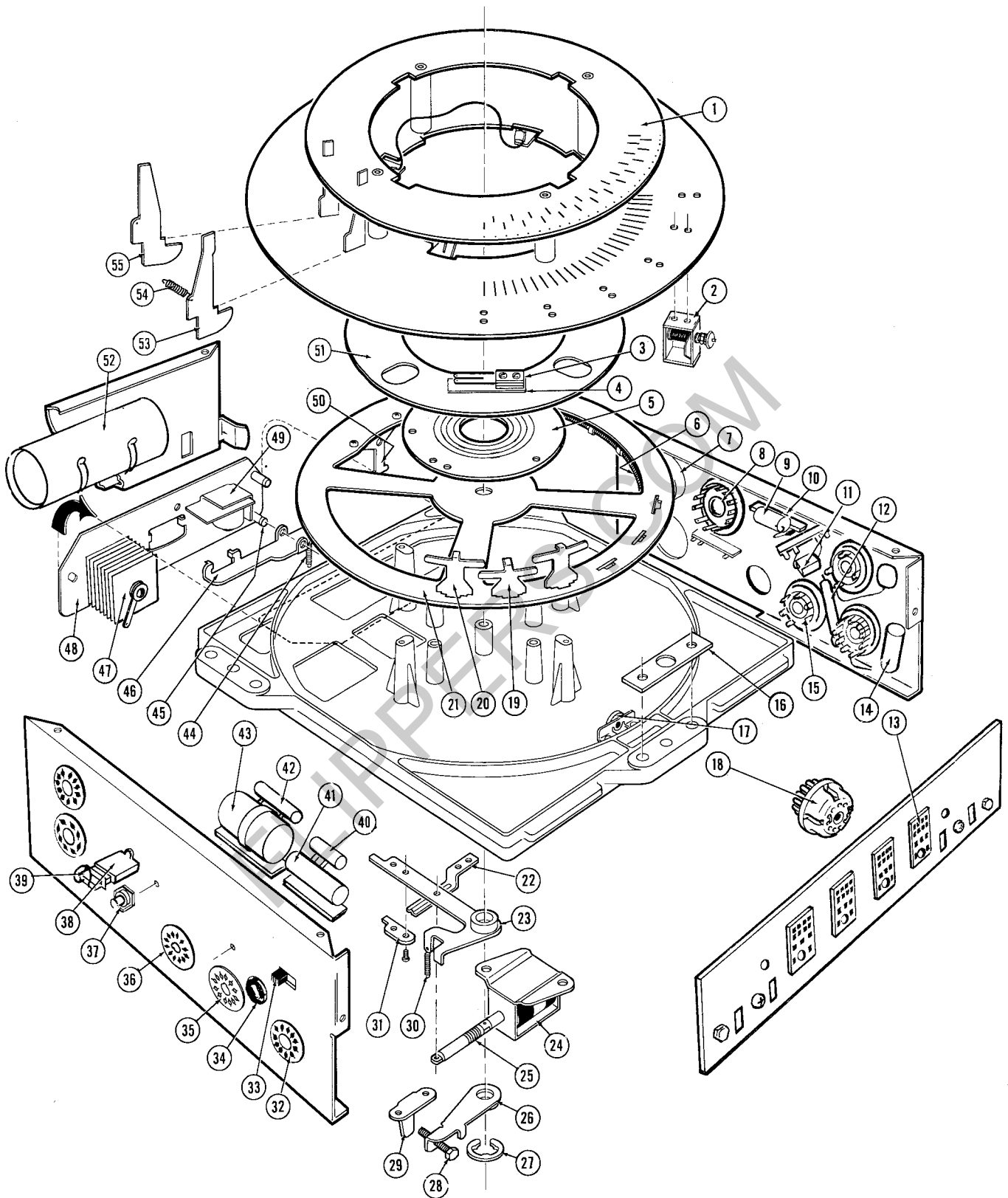



 FIG. 20. ELECTRIC SELECTOR - 100

1. Plate & Spacer	122372	28. Screw, 8-32 x 7/8", Hex	73793-87
2. Solenoid, Selector (20)	64602	29. Stop, Centering Yoke	115824
3. Override Switch (4)	115918	30. Spring (2)	115821
4. Insulator (4)	64595	31. Guide Plate, Centering Yoke	115822
5. Contact Plate	66186	32. Socket, 12 Pin	30495
6. Spring, Rotating Plate	115973	33. Slide Switch	123715
7. Socket, 11 Pin (5)	38492	34. Terminal Bushing	124835
8. Socket, 11 Pin	110964	35. Socket, 11 Pin	38492
9. Capacitor, 20 Mfd., 50V.	73840-42	36. Socket, 12 Pin	114325
10. Resistor, 560 ohms, 2W.	72474-32	37. Circuit Breaker	128801
11. Resistor, 85 ohms, 5W.	74819-2	38. Socket, 4 Circuit	122650
12. Resistor, 310 ohms, 5W.	70684-2	39. Jumper Plug	126223
13. Socket, Relay (4)	122131	40. Resistor, 560 ohms, 2W.	72474-32
Retainer, Socket (4)	122132	41. Capacitor, 50 Mfd., 50V.	73845-32
14. Capacitor, .1 Mfd., 600V.	74321-16	42. Resistor, 560 ohms, 2W.	72474-32
15. Socket, 6 Pin	32881	43. Capacitor, 150 Mfd., 50V.	73889-620
16. Guide, Selector Mount	61850	44. Spring, Stop Arm	64773
17. Roller	64630	45. Stop Pivot	64649
18. Plug & Wire Assy.	121319	46. Stop Arm	115862
Socket, 11 Pin (4), Stepper	38492	47. Rectifier, Selenium	118663
19. Rocker, Short (10)	117692	48. Mounting Plate	117986
20. Rocker, Long (10)	115788	49. Magnet & Frame	117987
21. Rotating Plate	115787	50. Stop Bracket, Selector	115789
22. Guide, Centering Yoke	115823	51. Wobble Plate	115796
23. Centering Yoke	115802	52. Capacitor, 124 Mfd., 50V. A.C.	74808
24. Solenoid, Driver (2)	115975	53. Latch Pin, Inner (50)	115806
25. Spring & Plug Assy.	64783	54. Spring, Latch Pin (100)	57110
26. Adjustment Bracket	115798	55. Latch Pin, Outer (50)	115807
27. Retaining Ring	73724-50		

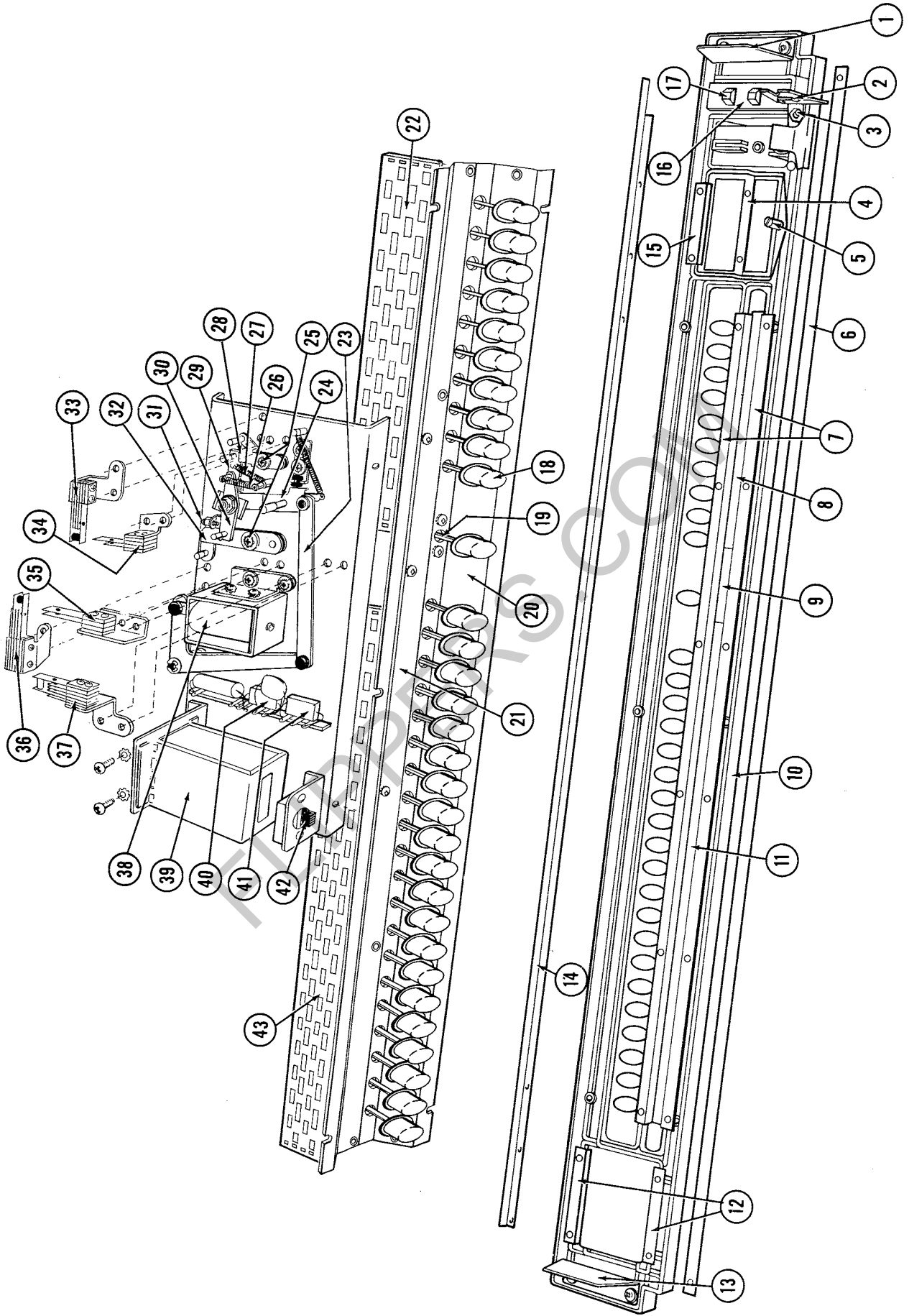



 FIG. 20. SELECTOR SWITCH ASSEMBLY

	200	100		200	100
1. Support Bracket, R.H.	129142	129142	24. Release Lever	129102	129102
2. Lever & Bracket	120799	120799	25. Screws, 8-32 x 1/4", R.Hd.	73533-34	73533-34
3. Reject Rod	128796	128796	26. Spring, Letter Trip	126007	126007
Nut (2)	73601-10	73601-10	27. Spring, Number Trip	57129	57129
4. Mounting Bracket	125215	125215	28. Latch Lever, Numbers	117695	117695
5. Thumb Screw	126080	126080	29. Trip Lever, Numbers	117691	117691
6. Light Shield	129101	129101	30. Trip Lever, Letters	117694	117694
7. Clamp	128880	128880	31. Adjusting Screw, 6-32 x 1/2", R.Hd.	73503-70	73503-70
8. Numbers, 1-5	128877	128877	32. Latch Lever, Letters	65009	65009
Numbers, 6-0	128878	128878	33. Latch Switch & Bracket Assy., Numbers	126314	126314
Light Diffuser, Red, Numbers & Letters	128969	128969	34. Series Switch & Bracket Assy., Numbers	66007	66007
9. Escutcheon, Button Release	128846	128846	35. Series Switch & Bracket Assy., Letters	110810	110810
10. Selector Casting	128806	128807	36. Latch Switch & Bracket Assy., Letters	126314	126314
11. Letters, A-E	128873	128873	37. Control Switch & Bracket Assy.	125406	125406
Letters, F-K	128874	128874	38. Latch Solenoid	112104	112104
Letters, L-Q	128875		Plunger, Solenoid	112104-A	112104-A
Letters, R-V	128876		Pin, Solenoid Plunger	65947	65947
12. Clamp	128856	128856	Washer	487	487
13. Support Bracket, L.H.	129466	129466	Cotter Pin	23355	23355
14. Light Shield	129023	129023	39. Counter	129486	129486
15. Clamp	125357	125357	40. Resistor, 85 ohm, 5W.	74819-2	74819-2
16. Light Box	128900	128900	41. Resistor, 175 ohm, 5W.	74824-2	74824-2
17. Socket (2)	111817	111817	42. Switch, Free Play	126106	126106
Lamp (2)	111816	111816	43. Selector Switch, Letters	128887	128911
18. Button	128509	128509			
19. Switch, Button Release	128854	128854			
20. Light Diffuser, Front	128881	128881			
21. Light Diffuser, Rear	128914	128914			
Rivet	73623-41	73623-41			
22. Selector Switch, Numbers	128888	128912			
23. Crank & Link	111720	111720			

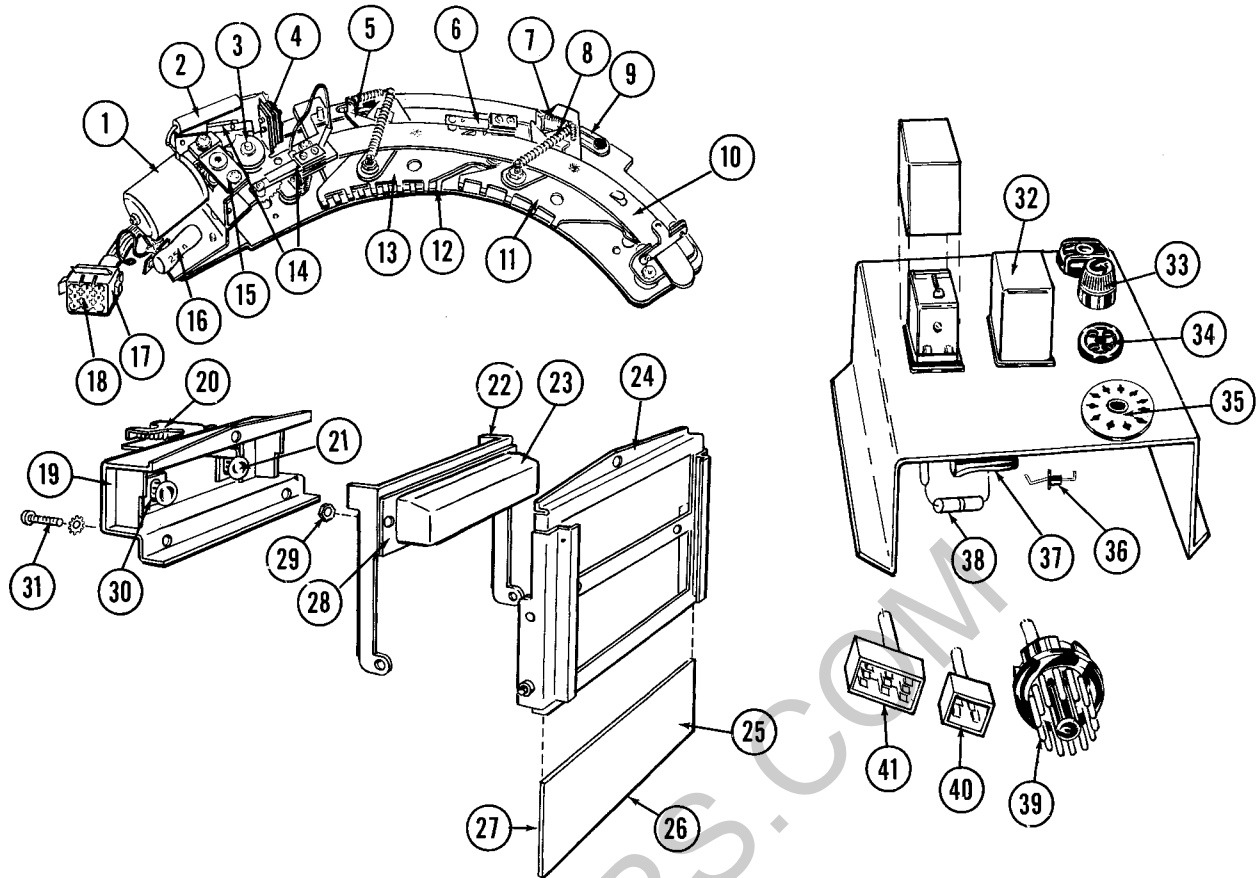


FIG. 108. TOP TUNES & ALBUM AUTOMATIC PROGRAMMING ASSEMBLY

	200	100		200	100
1. Motor & Worm	124928	124928	23. Button Top Tunes	124997	124997
2. Choke Coil, 150 Uh.	121291	121291	24. Mounting Bracket	125215	125215
3. Actuator, Disc & Hub	125965	125965	25. Window Blank, Clear	125213	125213
4. Switch, Full Cycle	124015	124015	26. Coin Denomination Label	129506	129506
5. Latch Lever (2)	126190	126191	27. Window Blank, Translucent	125214	125214
6. Switch, Release	124002	124002	28. Insert	125276	125276
7. Spring (2)	110480	125737	29. Nut	73601-3	73601-3
8. Spring (3)	124086	124086	Screw, 4-40 x 1/4", Fl.74959-23	74959-23	74959-23
9. Slide & Spring	124170	124171	30. Socket	111817	111817
10. Trip Lever	124084	124108	31. Screw	73533-28	73533-28
11. Actuator, T.T.T.	124073	124097	32. Relay, White, 24 Volt, D.C.	122133	122133
Actuator, 9 T.T.	124075	124099	33. Fuse Post	121809	121809
Actuator, 8 T.T.	124076	124100	Fuse, .5 Amp.	71591-6	71591-6
Actuator, 7 T.T.	124077	124101	34. Socket, 5 Pin Min.	69090	69090
Actuator, 6 T.T.	124078	124102	35. Socket, 12	114325	114325
12. Actuator, Latch Pin, Lower	124031	124049	36. Rectifier	71588-17	71588-17
13. Actuator, 10 T.T.	124074	124098	37. Capacitor, 100 Mfd., 50 Volt	73846-32	73846-32
14. Switch	124014	124014	38. Resistor, 560 ohm, 2W. Resistor, 1.8 ohm, 10W.	72474-32	72474-32
15. Gear, Pinion & Bracket Assy.	125968	125968	39. Plug, 12	114324	114324
16. Resistor, 25 ohms, 5W.	74817-2	74817-2	40. Cap, 4 Contact	111527	111527
17. Socket	113530	113530	41. Cap, 9 Contact	113529	113529
18. Contacts	111527	111527		111527	111527
19. Bracket & Light Shield	125218	125218			
20. Switch	125221	125221			
21. Bulb	111816	111816			
22. Pivot Bracket	125216	125216			

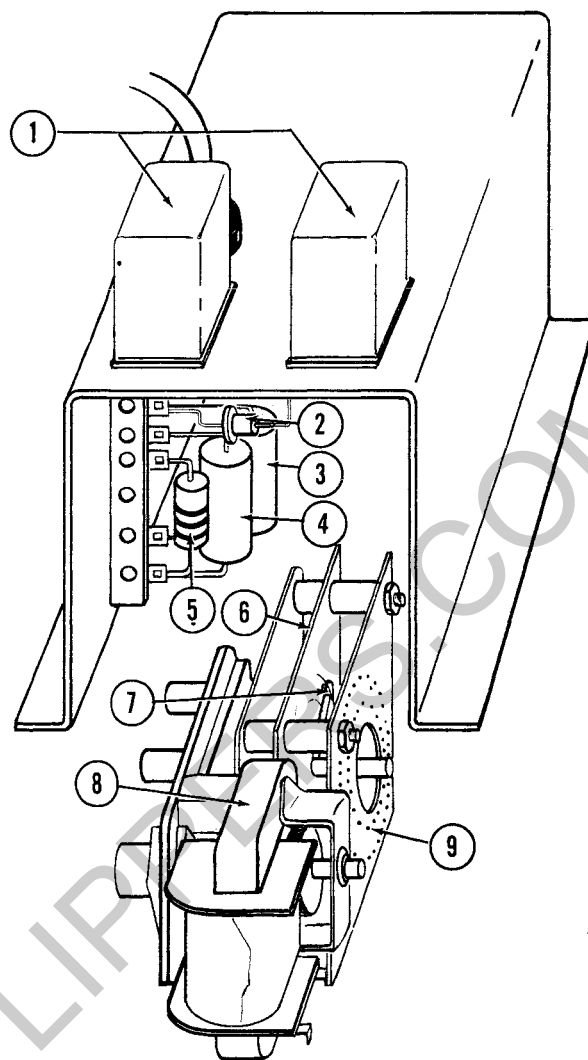


FIG. 5. L.P. UNIT

1. Relay, White Cover, 28 V.D.C.	122133	6. Contact Plate, A.C.	124454
2. Diode	71588-17	7. Contact Hub & Spring Assy.	124453
3. Capacitor, .22 Mfd., 400 Volts	73425-24	8. Motor	119275
4. Capacitor, 20 Mfd., 50 Volts	73840-42	9. Contact Plate, D.C.	124455
5. Resistor, 560 ohm, 2W.	72474-32		

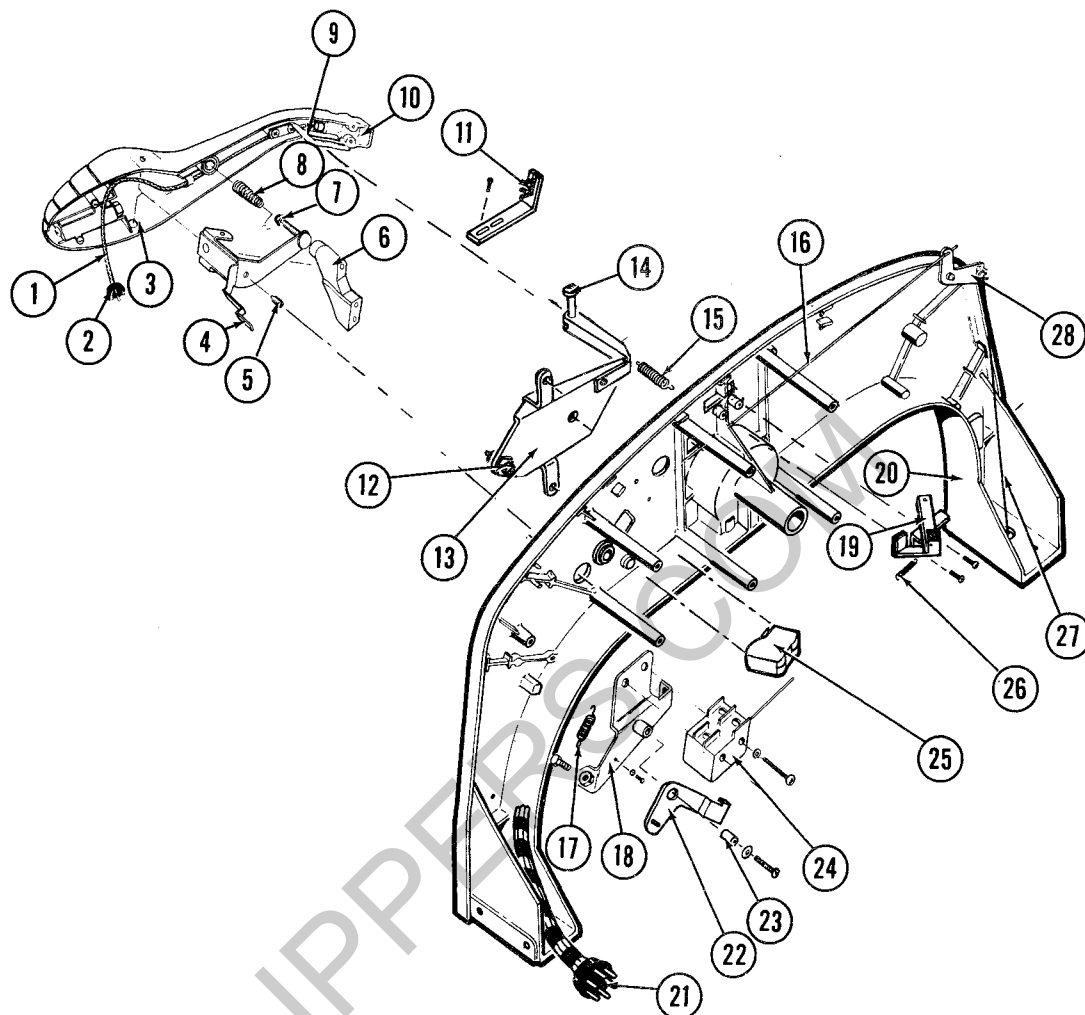


FIG. 44. TOP SUPPORT CASTING

1. Pickup Cable & Plug Assy., (Cartridge Plug)	122564	15. Spring	126034
2. Plug, 4	69089	16. Wire Link	125279
3. Tone Arm Sub Assy.	121941	17. Spring, Trip Switch Bracket	59615
4. Gimbal & Stop Nut Assy.	120451	18. Bracket & Stop Nut	121249
5. Pivot Screw	59394	19. Arm, Tone Arm Brush Felt	121950 121965
6. Mounting Casting & Pin Assy.	120452	20. Support Casting & Bushing Assy.	121911
7. Nut, 10-32, Nylock	73865-8	21. Plug, 6 Pin	16607
8. Spring, Tone Arm Pressure	114484	22. Adjusting Bracket, Trip Switch	121690
9. Latch Bracket	64423	23. Bushing	59411
10. Cartridge, Stereo	121944	Screw, 8-32 x 1-1/4", R.H.	73503-95
Needle, Double Sapphire Tip	122668	24. Trip Switch	121229
Screw, 4-40 x 5/16", R.H. (2)	73533-3	25. Switch, Safety Insulator	110557 59900
11. Brush Holder	121949	26. Spring Tone Arm Brush	59710
Brush	119080	27. Cable, Tone Arm Brush Sleeve, Tone Arm Brush Cable	125758 59881
12. Screw, 8-32 x 1", R.H. Nylon	74288-27	28. Bell Crank Assy.	126036
13. Bracket & Stop Nut	120435		
14. Stop Pin, Tone Arm	115660		

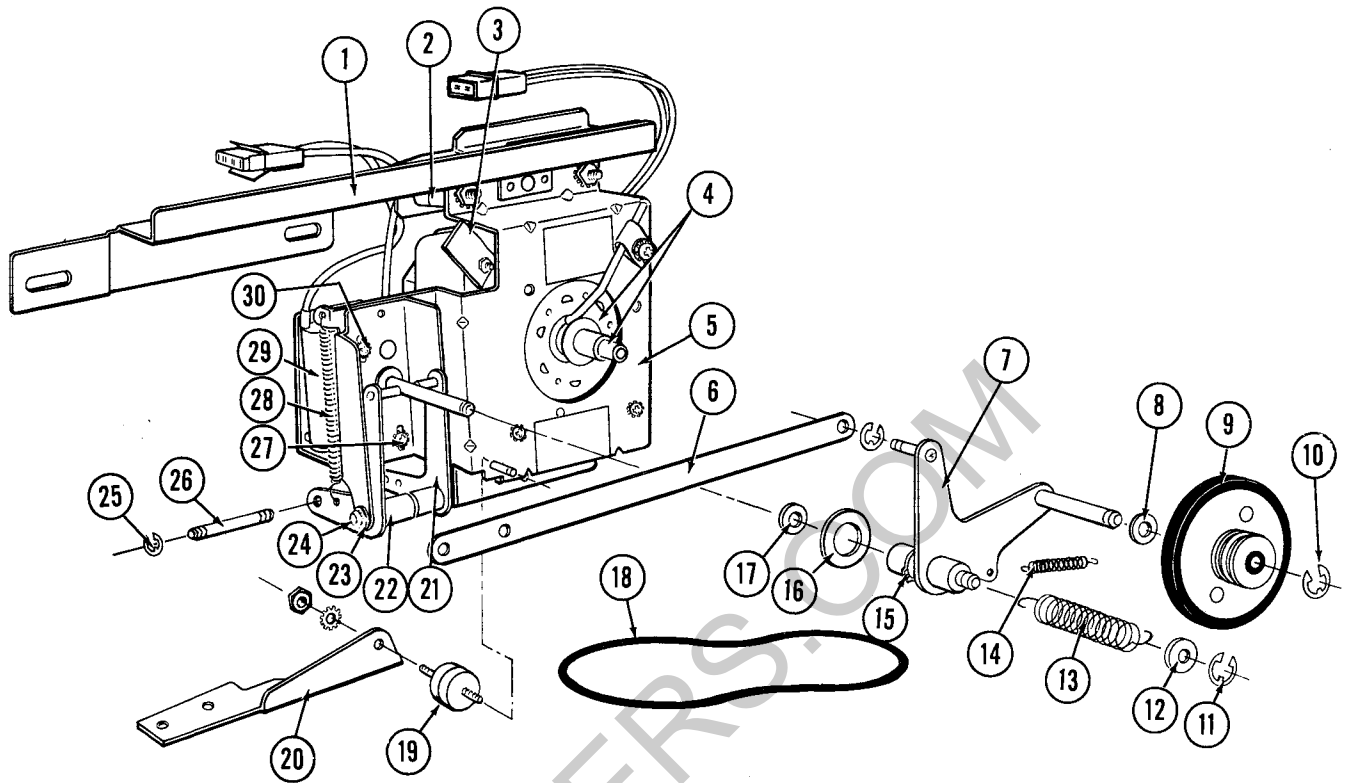


FIG. 45. TURNTABLE DRIVE ASSEMBLY

1. Mounting Bracket Assy., Upper	124814	16. Washer	124521
2. Rubber Mount	60882	17. Felt Washer	124520
3. Plate	124834	18. Belt (2)	124527
4. Motor & Sleeve Assy.	124638	19. Rubber Mount	60882
5. Stud & Motor Mtg. Bracket Assy.	124537	20. Bracket	124502
6. Link, T.T. Shift, L.H.	124492	21. Bell Crank Assy. - L.H.	125374
7. Bearing & Arm Assy.	124546	22. Bell Crank Assy., - R.H.	125373
8. Washer	59673	23. Retaining Ring	73724-18
9. Drive Wheel	124495	24. Shaft	124519
10. Retaining Ring	73724-25	25. Retaining Ring	73724-15
11. Retaining Ring	73724-25	26. Shaft	124518
12. Cup Washer	124530	27. Screw, 6-32 x 5/16", R.Hd.	73533-23
13. Spring	124526	28. Spring	124487
14. Spring	124525	29. Shift Solenoid	121095
15. Retaining Ring	73727-50	30. Screw, 6-32 x 5/16", R.Hd.	73533-23

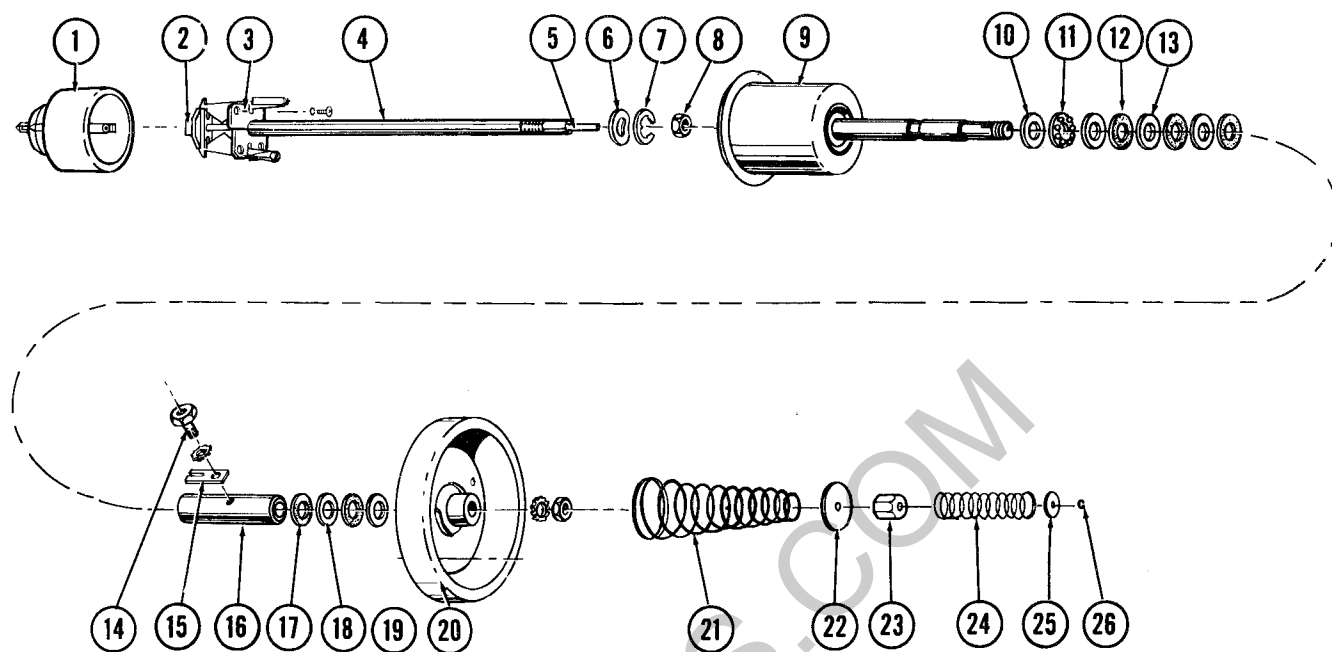


FIG. 46. TURNTABLE ASSEMBLY

1. Pilot	122113	11. Ball Race	59867
2. Cam, Clamp Lever	119409	12. Shim, Fiber	63732
3. Plate & Arms Assy.	119439	13. Shim, Steel	63731
Lever, Record Clamp (2)	119412	14. Screw, Turntable Sleeve	64513
Spring (2)	119424	Lock Washer	73604-9
Washer	50494	15. Clamping Plate	64512
Retaining Ring	73724-12	16. Sleeve & Bushing Assy.	64520
Screw, 6-32 x 1/4", R. Hd. (4)	73533-22	17. Shim, Fiber	63732
4. Tube	119420	18. Shim, Steel	63731
Retaining Ring (2)	73724-25	19. Washer	56530
Spring Washer	73632-18	20. Flywheel	59456
5. Shaft, Turntable Pilot Clamp Levers	119413	21. Spring, Turntable Pilot	122114
6. Spring Washer	73632-18	22. Adjusting Plate	121338
7. Retaining Rings (2)	73724-25	23. Adjusting Nut	121337
8. Nut, 7/16-20	59470	24. Spring, Clamp Arm	119423
9. Turntable & Shaft Assy.	122779	25. Cup Washer	119414
10. Thrust Washer (2)	59864	26. Retaining Ring	73724-12

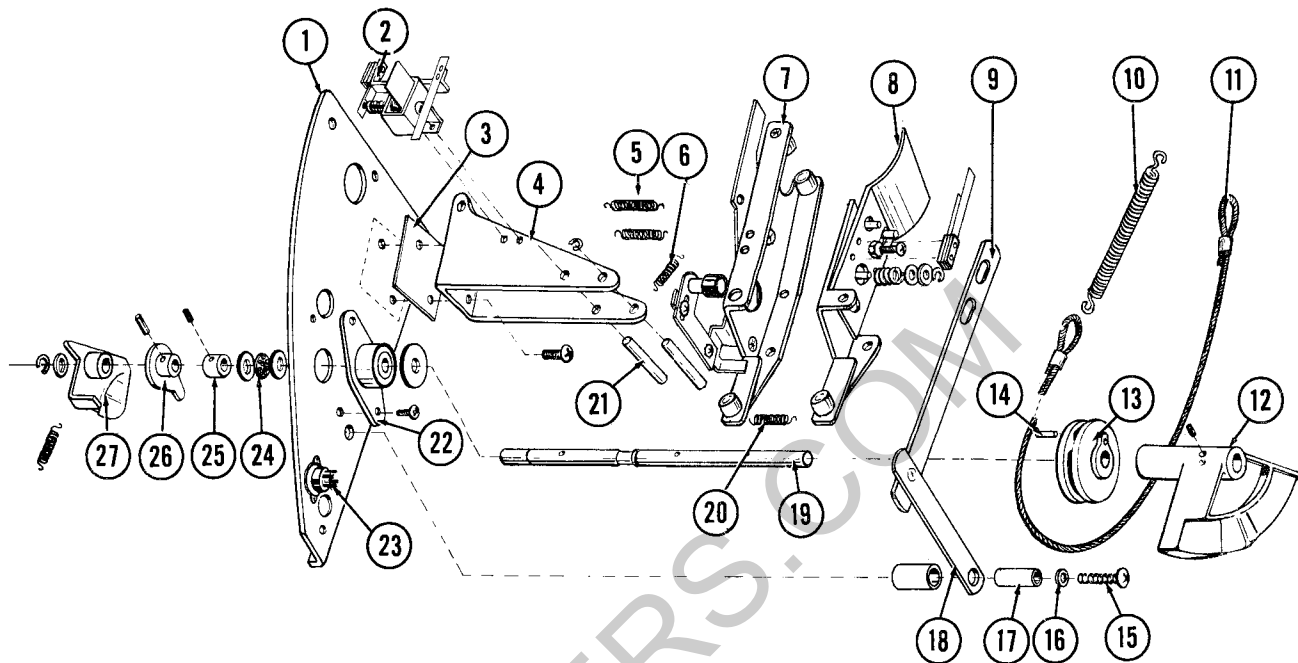


FIG. 47. MOUNTING PLATE AND SHAFT ASSEMBLY

1. Mounting Plate & Socket Assy.	114258	12. Cam, Record Clamp	119429
2. Solenoid Assy., Interlock	119826	Roll Pin	73782-51
Sleeve	126121	13. Pulley	59415
Switch Assy.	119784	Roll Pin	73782-49
Support Bracket & Spring Assy.	119793	14. Roll Pin	73782-34
Cap, 3 Circuit	117823	15. Screw	73533-44
Lamp	111816	16. Washer	51822
Contact Connectors, Lamp	121763	17. Bushing	124523
3. Shim	119445	18. Crank & Hub Assy.	124497
4. Pivot Bracket	119433	19. Shaft	59393
5. Spring, Turntable Release Arm (2)	119426	20. Spring	59710
6. Spring	124525	21. Shaft (2)	59400
7. Turntable Release Arm Assy.	119441	Retaining Ring	73728-25
8. Cam Lever Assy., Turntable Pilot	119442	22. Plate & Bearing Assy.	59911
Spring, Cam Lever	119498	23. Socket, 4	69090
Cup Washer	119432	24. Ball Race	59679
Retaining Ring	73724-18	Washer (2)	59440
Screw, 8-32 x 5/8", R.Hd. Nylon	74288-25	25. Collar	119584
9. Link, Turntable Shift, L.H.	124492	26. Arm & Hub Assy., Tone Arm Release	59722
Link, Turntable Shift, R.H.	124493	Retaining Ring	73728-37
10. Spring, Turntable Cam	119425	Spring	59606
11. Cable & Sleeve Assy.	59871-A	27. Hub & Lever Assy., Tone Arm Release	59722
Sleeve	59891	Retaining Ring	73728-37

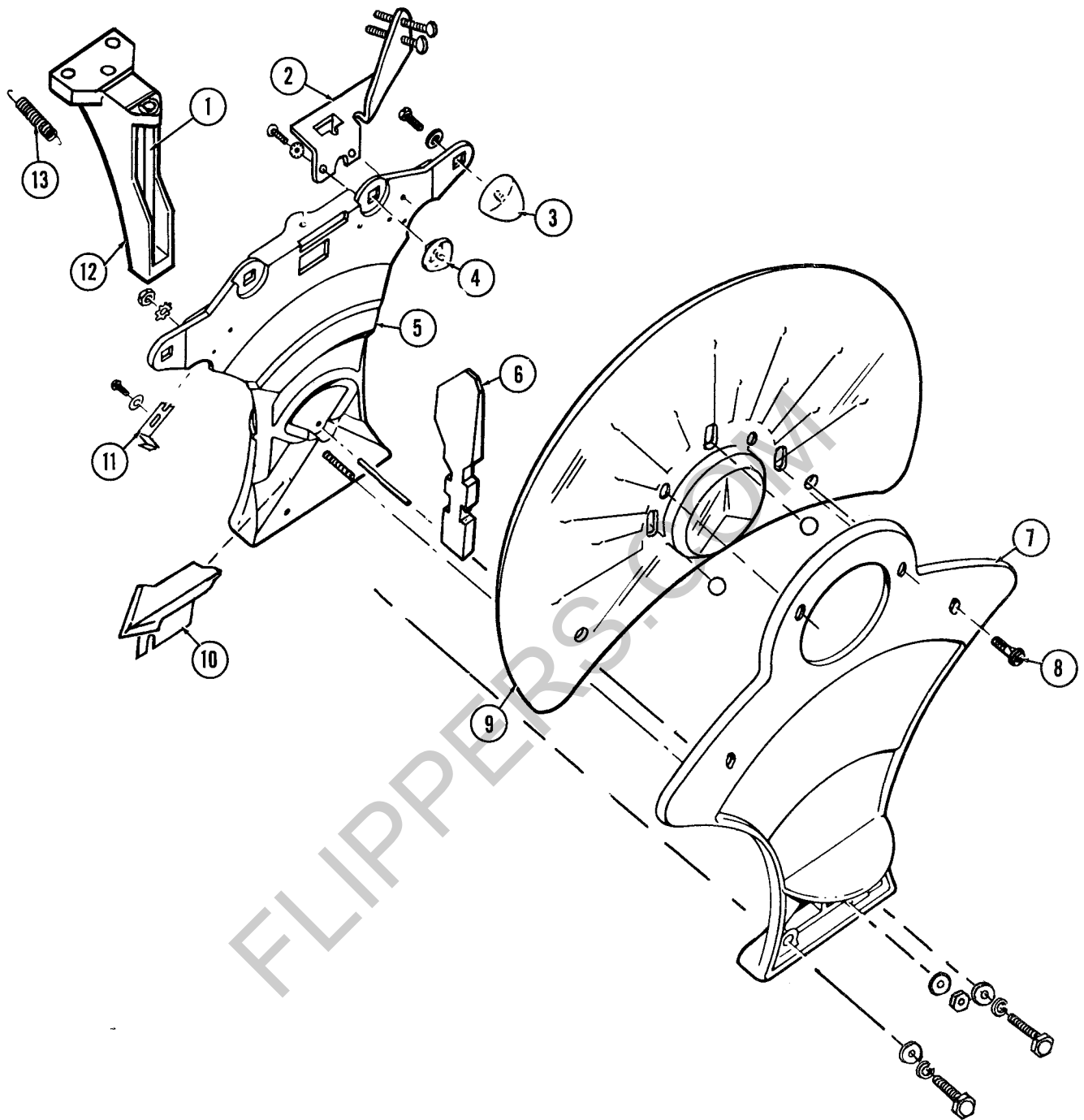


FIG. 48. RECORD GUIDE ASSEMBLY

1. Shaft, Record Guide Pivot	59869	8. Screw, 6-32 x 7/16", Truss Hd., Type 23	74335-22
Retaining Ring (2)	73724-18	9. Record Guide Plate	123943
2. Bracket & Stop Nut Assembly	120445	10. Record Guide & Bracket Assy., L.H.	68376
Screw, 6-32 x 1", R.H.	73656-74	Record Guide & Bracket Assy., R.H.	68375
Screw, 6-32 x 1-3/8", R.H.	73800	11. Stop Bracket (2)	122840
3. Bumper, Record Guide	117254	Screw, 4-40 x 5/16", R.H.	73533-3
4. Bumper, Record Guide	59396	12. Pivot Casting, Record Guide	59892
5. Casting, Rear	122436	Spring Pin, Pivot Casting	59908
6. Track	59425	13. Spring, Record Guide Retracting	59606
Groove Pin	59546		
7. Casting, Front	123942		

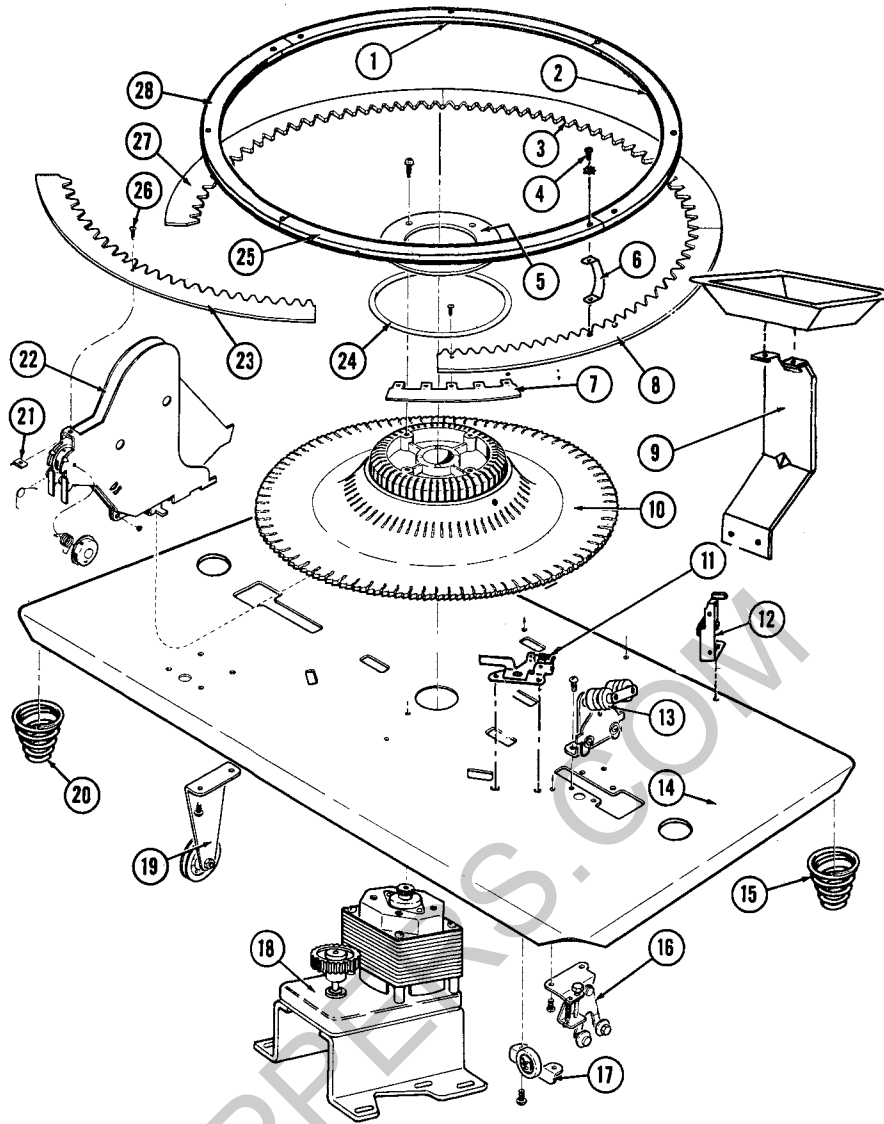


FIG. 49. RECORD CARRIER AND CHASSIS MOUNTING PLATE - 200

1. Segment, Record Indicator Ring, M6-G3	128822	14. Chassis Mounting Plate, Sub Assy.	127446
2. Segment, Record Indicator Ring, S6-M3	128821	15. Conical Spring, Chassis Mount, Red Dot	53774
3. Segment, Carrier Ring, L2-R1	114066	16. Bracket & Roller Assy., L.H. Bracket & Roller Assy., R.H.	65885 65886
4. Screw, 4-40 x 3/16", R.H.	73533-1	17. Bracket & Roller (3)	59844
5. Clamp, Record Holder	59734	18. Motor & Gear Gear, Pinion	121998 68717
6. Spacer (10)	118936	19. Mounting Bracket & Idler Pulley	61574
7. Connecting Bracket	65548	20. Conical Spring, Chassis Mount, Yellow Dot	61059
8. Segment, Carrier Ring, F2-L1	114064	21. Nut	73637-10
9. Mounting Bracket, Record Indicator Panel	128728	22. Record Holder Assy.	65908
Record Indicator Panel	128723	23. Segment, Carrier Ring, A2-F1	114067
Screw, 6-32 x 5/16", R.H.	73533-23	24. "O" Ring, Rubber Gasket	119824
Washer	42120	25. Segment, Record Indicator Ring, B6-S3	128820
10. Casting, Record Holder	115684	26. Screw, 4-40 x 3/8", R.H.	73503-25
11. Back Stop Pawl (2) Spring	65890 59710	27. Segment, Carrier Ring, R2-A1	114065
12. Playmeter Reset Lever Spring	113210 59710	28. Segment, Record Indicator Ring, G5-B3	128819
13. Bracket & Roller Assy., Lift Arm Guide (2) Roller Stud, Eccentric	116837 116833 116831		

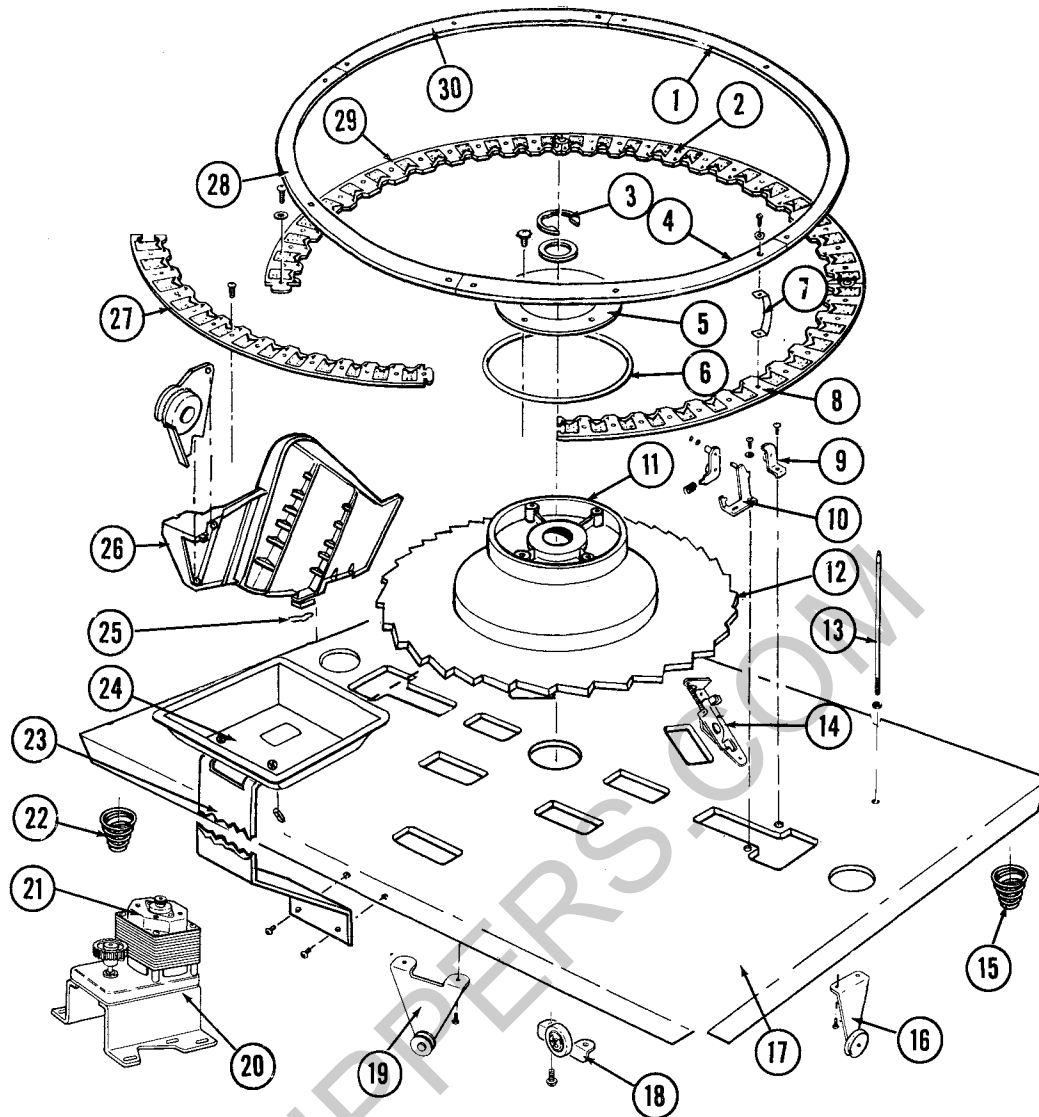


FIG. 50.. RECORD CARRIER AND CHASSIS MOUNTING PLATE - 100

1. Segment, Record Indicator Ring, A8-D2	128824	17. Chassis Mounting Plate Sub Assy.	127446
2. Segment, Carrier Ring, A1-C6	122074	18. Bracket & Roller (3)	122088
3. Retaining Ring	73724-87	19. Idler Pulley & Bracket	59719
4. Segment, Record Indicator Ring, D1-F5	128825	20. Mounting Bracket (2)	121982
5. Clamp	59734	21. Motor & Gear	122681
6. "O" Ring	122083	Gear	68717
7. Spacer (10)	122067	Taper Pin #4/0	665
Splice Plate, Carrier Ring	119574	22. Conical Spring, Chassis Mount, Front, Red Dot	53774
8. Segment, Carrier Ring, H7-K0	122077	23. Mounting Bracket, Record Indicator Panel	128728
9. Bracket & Roller Assy. (2)	59704	24. Record Indicator Panel	128723
10. Mounting Bracket & Roller Assy. (2)	60658	Screw, 6-32 x 5/16", R.H.	73533-23
Retaining Ring (2)	73724-15	Washer	42120
Spring (2)	60677	25. Spring, Retainer, Record Holder (50)	122082
11. Casting, Record Holder	122080	26. Record Holder Assy.	122071
12. Plate, Record Holder	122081	27. Segment, Carrier Ring, F1-H6	122075
13. Bracer Rod	60519	28. Segment, Record Indicator Ring, F8-J2	128826
14. Back Stop Pawl (2)	122084	29. Segment, Carrier Ring, C7-E0	122076
Bumper	54246	30. Segment, Record Indicator Ring, J1-A5	128823
15. Conical Spring, Chassis, Rear, Yellow Dot	61059		
16. Mounting Bracket & Idler Pulley	61574		

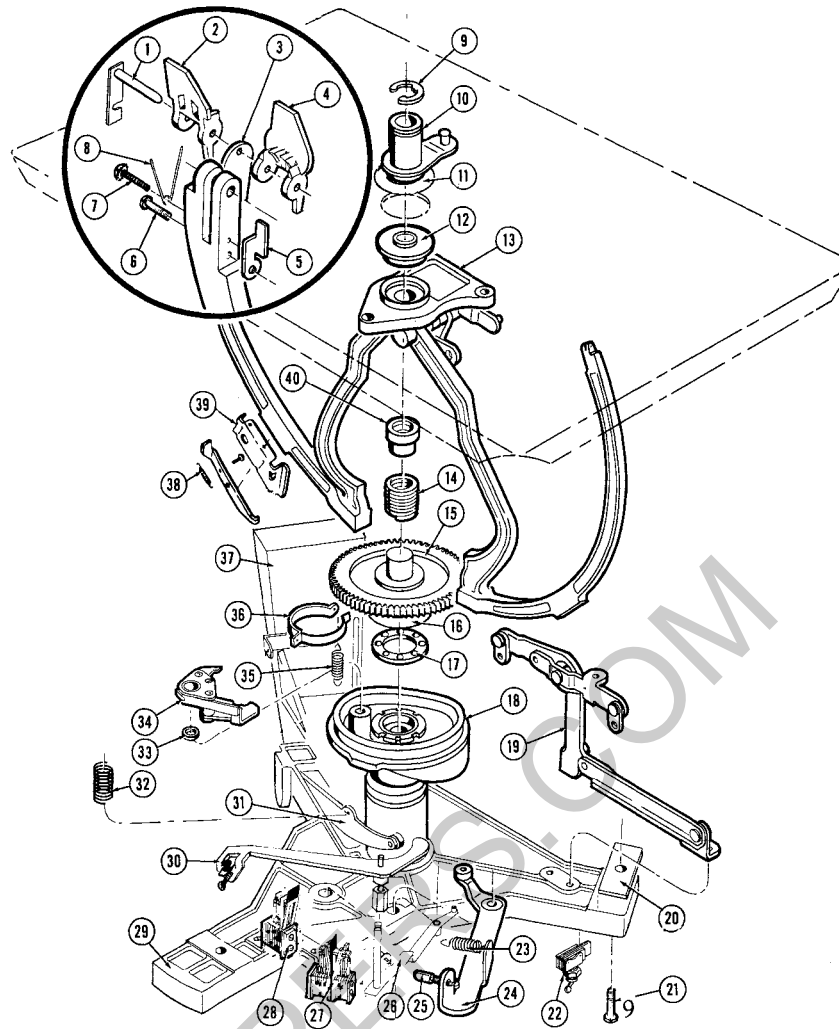


FIG. 51. RECORD CHANGER - 200

1. Plate & Pin	117252	22. Switch, Record Loading, S.P.S.T.	119785
2. Guide Tip, L.H.	65731	23. Spring, Mute & Play Switch Actuator	62773
3. Guide Plate	68290	24. Actuator Arm Assy., Play Switch	62761
4. Guide Tip, R.H.	65730	Screw, 4-40 x 1-1/4", R.H.	73574-33
5. Stop, Guide Tip	65526	25. Actuator, Nylon Tip	58255
6. Screw, 4-40 x 5/8", R.H.	73533-7	26. Actuator Arm, Transfer Switch	126798
7. Screw, 3-48 x 1/2", R.H.	73533-106	27. Mute & Play Switch & Bracket Assy.	124485
8. Spring	65812	Over-Center Spring	124485A
9. Retaining Ring	73724-87	28. Transfer Switch & Bracket Assy.	124486
10. Arm & Rivet	115668	Over-Center Spring	124486A
Roll Pin	73782-85	Washer, Nylon	124486B
11. Spacer, Yoke	52808	29. Chassis Frame & Shaft	116023
12. Ball Bearing	59654	30. Lever Assy., Record Clamp	59688
13. Pivot Casting & Arm Assy.	113204	31. Cancel Lever	59513
Record Actuating Arm & Shaft		Cancel Casting	59631
Assy., L.H.	65881	Roll Pin	73782-66
Assy., R.H.	65883	Roll Pin	73782-70
14. Spring, Drive Clutch	59584	Spring, Cancel	110934
Washer, Felt (2)	59655	32. Spring, Cancel Lever Return	65809
Washer, Steel (2)	59647	33. Washer	22946
15. Gear & Ratchet Wheel	116986	34. Pawl	59537
16. Spacer	110077	35. Spring, Strap & Spring Assy.	59612
17. Ball Race	59637	36. Strap & Spring Assy., Friction	
Washer (2)	59641	Drive Pawl	59626
Retaining Ring	73727-112	37. Support Casting, R.H.	67928
Oil Guard	66580	Support Casting, L.H.	68700
18. Main Cam & Bushing	62792	38. Spring, Play Meter Actuating Arm	59894
19. Link & Lever Assy., Record Arm	59599	39. Bracket & Lever	129594
20. Tapping Plate (2)	68521	40. Hub, Selector Drive Clutch	118254
21. Screw, 1/4-20 x 1", Hex Hd.	73793-150	Roll Pin	73782-88

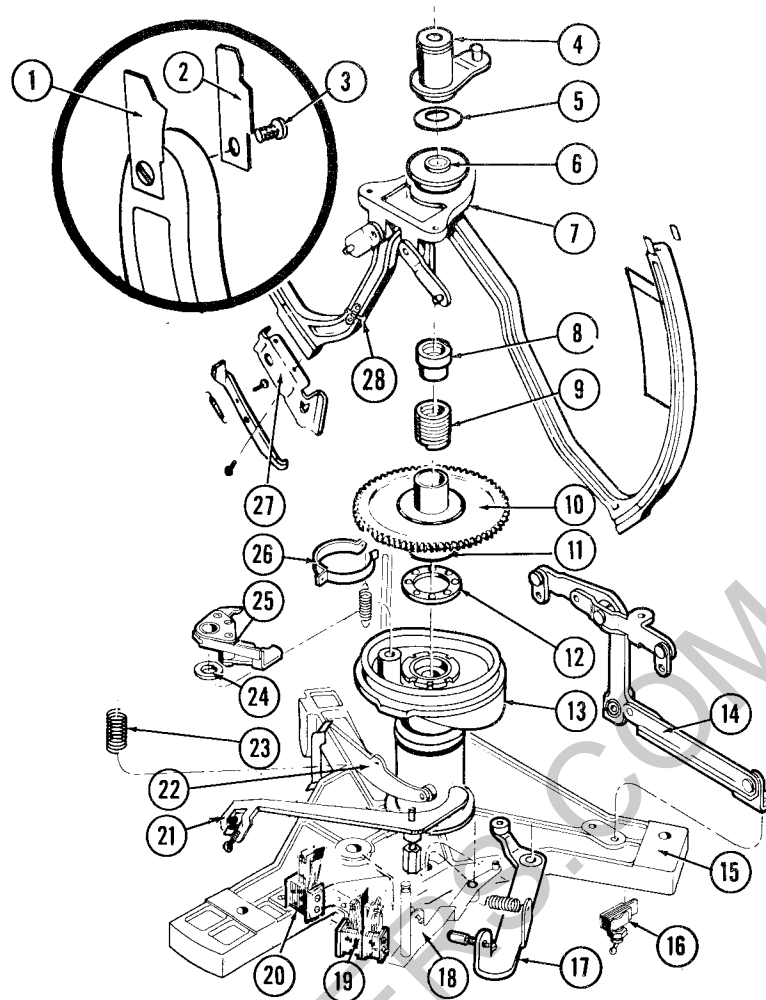


FIG. 52. RECORD CHANGER - 100

1.	Guide Tip, Left Hand (2)	60711	17.	Actuator Arm Assy., Mute & Play Switch	62761
2.	Guide Tip, Right Hand (2)	61484		Spring	62773
3.	Screw, 2-56 x 3/16", F. Hd.	73586-2		Nylon Tip, Actuator	58255
	Lock Washer, #2, Countersunk	73606-1	18.	Actuator Arm, Transfer Switch	126798
4.	Arm & Rivet	121924	19.	Mute & Play Switch & Bracket Assy.	124485
5.	Spacer, Yoke	52808		Over-Center Spring	124485A
6.	Ball Bearing	59654		Washer, Nylon	124485B
7.	Pivot Casting & Arm Assy.	122093	20.	Transfer Switch & Bracket Assy.	124486
	Record Actuating Arm & Shaft Assy., L.H.	122094		Over-Center Spring	124486A
	Record Actuating Arm & Shaft Assy., R.H.	122095		Washer, Nylon	124486B
8.	Hub, Selector Drive Clutch	118254	21.	Lever Assy., Record Clamp	59688
	Roll Pin	73782-88	22.	Cancel Lever	59513
9.	Spring, Drive Clutch	59584		Cancel Casting	59631
	Felt, Washer (2)	59655		Roll Pin	73782-66
	Washer (2)	59647		Roll Pin	73782-70
10.	Gear & Ratchet Wheel	116986	23.	Spring, Return, Cancel Lever	65809
11.	Spacer	110077		Spring, Cancel	110934
12.	Ball Race	59637		Screw, 10-32 x 1-3/4", Hex	73793-125
	Washer (2)	59641	24.	Washer	22946
	Retaining Ring	73727-112	25.	Pawl	59537
	Oil Guard	66580	26.	Strap & Spring Assy.	59626
13.	Main Cam & Bushing	62792		Spring	59612
14.	Link & Lever Assy., Record Arm	59599	27.	Bracket & Lever	129594
15.	Chassis Frame Casting	115856		Lever	65805
16.	Toggle Switch, Record Loading	119785		Spring	59894
			28.	Stop Bracket	129569

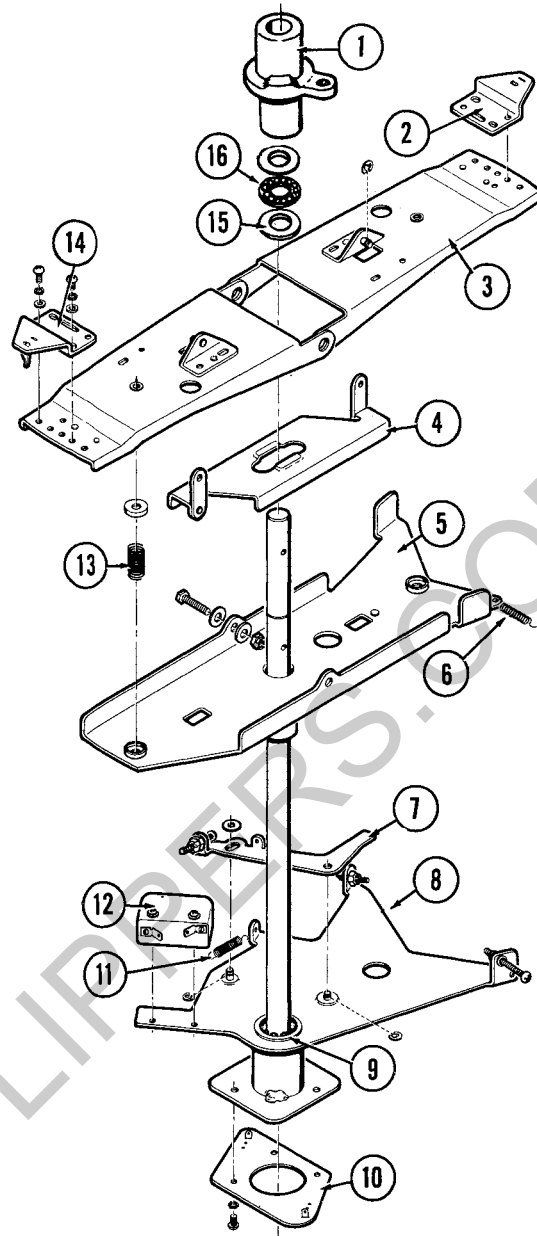


FIG. 53. SELECTOR CRANK AND SHAFT ASSEMBLY

	200	100		200	100
1. Sleeve & Bushing Assy.	68483	115772	Retaining Ring (2)	73724-18	73724-18
2. Tip & Mounting Bracket Assy., Inner	110936	116733	8. Selector Shaft Assy.	115669	121923
3. Selector Crank & Stop Nut Assy. (2)	110944	115770	9. Ball Bearing (22)	25358	25358
4. Actuator Arm & Link Assy. Retaining Ring (2)	110939 73724-18	115767 73724-18	10. Contact Plate Assy.	68582	115769
5. Mounting Plate & Bushing Assy.	124119	124116	11. Spring, Switch Actuator	68774	68774
6. Spring, Kickoff	68774	110480	12. Switch	60655	60655
7. Switch Lever & Stop Nut Assy.	110937	115765	13. Spring (2)	65809	65809
			14. Tip & Mounting Bracket Assy., Outer	110930	116732
			15. Thrust Washer (2)	122630	122630
			16. Ball Race	122631	122631

CABINET



3100 PHONOGRAPH

SECTION D

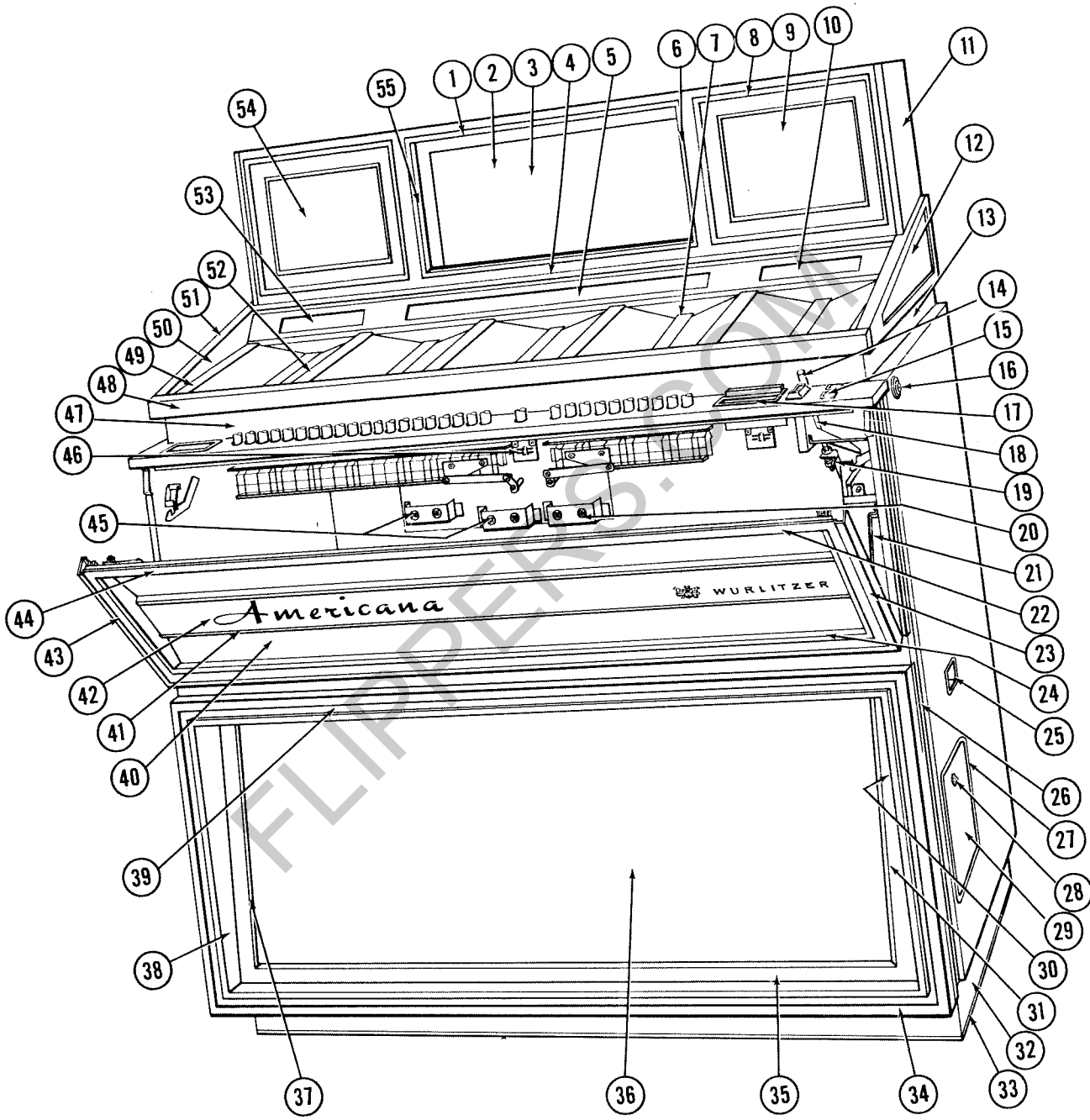



 FIG. 1. TRIM AND MOUNTING - FRONT VIEW 3100 SERIES

1.	Extrusion, Display Frame, Top & Bottom	129085	21.	Fall Support, Front Door, R.H.	129293
2.	Glass, Display Tape, 7/16"	129098		Fall Support, Front Door, L.H.	129294
3.	Display, Red Mill-Homestead	126815	22.	Extrusion, Door Frame, Top	128986
	Display, Village-Red Barn	129179	23.	Extrusion, Door Frame, R.H.	128987
	Display, Logging-Mountain	129180		Extrusion, Door Frame, L.H.	128988
	Retainer, Display	129181	24.	Extrusion, Door Frame, Bottom	128989
4.	Extrusion & Mounting Bracket	129172		Hinge, Door	128991
5.	Display Sign, Full Stereo Music Color Shield	129312	25.	Coin Return Cup	68192
6.	Extrusion, Display Frame, Ends	129168		Coin Return Chute	125444
7.	Glass Tape, 9/16"	129186	26.	Extrusion, Side, R.H.	129010
8.	Casting, Speaker Frame	129084		Extrusion, Side, L.H.	129011
	Speed Clip	129313	27.	Frame, Cash Box Door	128921
9.	Screen	121999	28.	Lock & Key Assy., Cash Box	118412
	Stereo Plate, R.H.	129120	29.	Cash Box Door	128922
	Speaker, 6", R.H.	126454		Guard	113270
	Speaker, 3 x 5", R.H.	129148		Coin Bag	62670
	Capacitor, 4 Mfd., Non-Polarized	129299	30.	Grille Frame, R.H.	129012
10.	Instruction Insert, Recorded Music by Famous Artists	129305	31.	Grille Moulding, R.H.	129007
	Instruction Insert, Top Tunes Selections	129306	32.	Vinyl Overlay	128865
	Instruction Insert, Top Tunes Selections	74981	33.	Moulding, Base	128950
	Instruction Insert, Top Album Music Selection	3100 129189	34.	Grille Frame, Bottom	129014
	Instruction Insert, Top Album Music Selection	3110 129190	35.	Grille Moulding, Bottom	129006
	Instruction Insert, Little LP Album Music Color Shield	3100 129222	36.	Grille Screen	128889
	Instruction Insert, Little LP Album Music Color Shield	3110 129223	37.	Grille Moulding, L.H.	129008
11.	Casting, Top, R.H.	129192	38.	Grille Frame, L.H.	129013
	Casting, Top, L.H.	129186	39.	Grille Frame, Top	129015
12.	Casting & Inlay, R.H.	128756	40.	Screen & Light Diffuser	129518
	Inlay, R.H.	128755	41.	Extrusion, Glass Clamp (2) Speed Clips (14)	129475
	Tape, Adhesive, Bulk	129310	42.	Glass, Americana Tape, 7/16"	74441-4
13.	Trim Strip, R.H.	129097	43.	Extrusion, Door Frame, L.H.	128996
	Trim Strip, L.H.	129520	44.	Extrusion, Door Frame, Top	126815
14.	Reject Button	128947	45.	Bracket & Socket	128988
	Retaining Ring	128948		Contact Pin	125396
	Rubber Washer	128765	46.	Switch, Button Release	124292
15.	Escutcheon, Red	73724-43	47.	Front Guard	128854
	Select Blank, Select-Star	126352	48.	Casting, Door Frame, Lower	129272
	Select Blank, Select Any Single-Select Any Album	128859	49.	Separator, L.H., A1-C0	128808
	Select Blank, Select Any Single-Select Golden Bar	128940		Separator, R.H., T1-V0	3100 128890
	Light Diffuser	128941		Separator, L.H., A1-A0	3100 128895
	Light Box & Partition	128942		Separator, R.H., K1-K0	3110 129004
	Socket	128860	50.	Trim Strip, L.H.	3110 129005
	Lamp	128900		Trim Strip, R.H.	128924
16.	Lock, Dome	111817	51.	Casting & Inlay, L.H.	128923
	Lock Lever	111816		Inlay, L.H.	129311
	Key, RW100	128770		Tape, Adhesive, Bulk	129096
17.	Coin Denomination Label, Standard	128771	52.	Separator, B1-G0	129520
	Coin Denomination Label, Top Tunes	129505		Separator, F1-L0	3100 128891
	Coin Denomination Label, LP	129506		Separator, K1-Q0	3100 128892
	Coin Denomination Label, 5¢ Play	129507		Separator, P1-U0	3100 128893
	Window Blank, Rear, Clear	125211		Separator, B1-C0	3100 128894
	Window Blank, Rear, Translucent	125212		Separator, D1-E0	3110 129000
	Window Blank, Front, Clear	125213		Separator, F1-G0	3110 129001
	Window Blank, Front, Translucent	125214		Separator, H1-J0	3110 129002
	Escutcheon, Stars	125909	53.	Instruction Insert, Recorded Music by Famous Artists	129003
	Coin Denomination Mounting Bracket Assy.	125467		Instruction Insert, Album Music by Famous Artists	129188
	Thumb Screw	126080		Color Shield	129191
18.	Reject Rod	128769	54.	Screen	129186
19.	Lever & Bracket	120799		Stereo Plate, L.H.	129148
20.	Bracket & Socket	127556		Speaker, 6", L.H.	129333
	Plug, 5 Pin	123619		Speaker, 3 x 5", L.H.	129517
				Capacitor, 4 Mfd., Non-Polarized	129516
				74981	74981
				Extrusion, Display Window, Sides	129113
				Extrusion, Display Window, Top	129115
				Extrusion, Display Window, Bottom	129114
				Background & Retainer Spring Assy.	129301
				Retainer, Display	129172

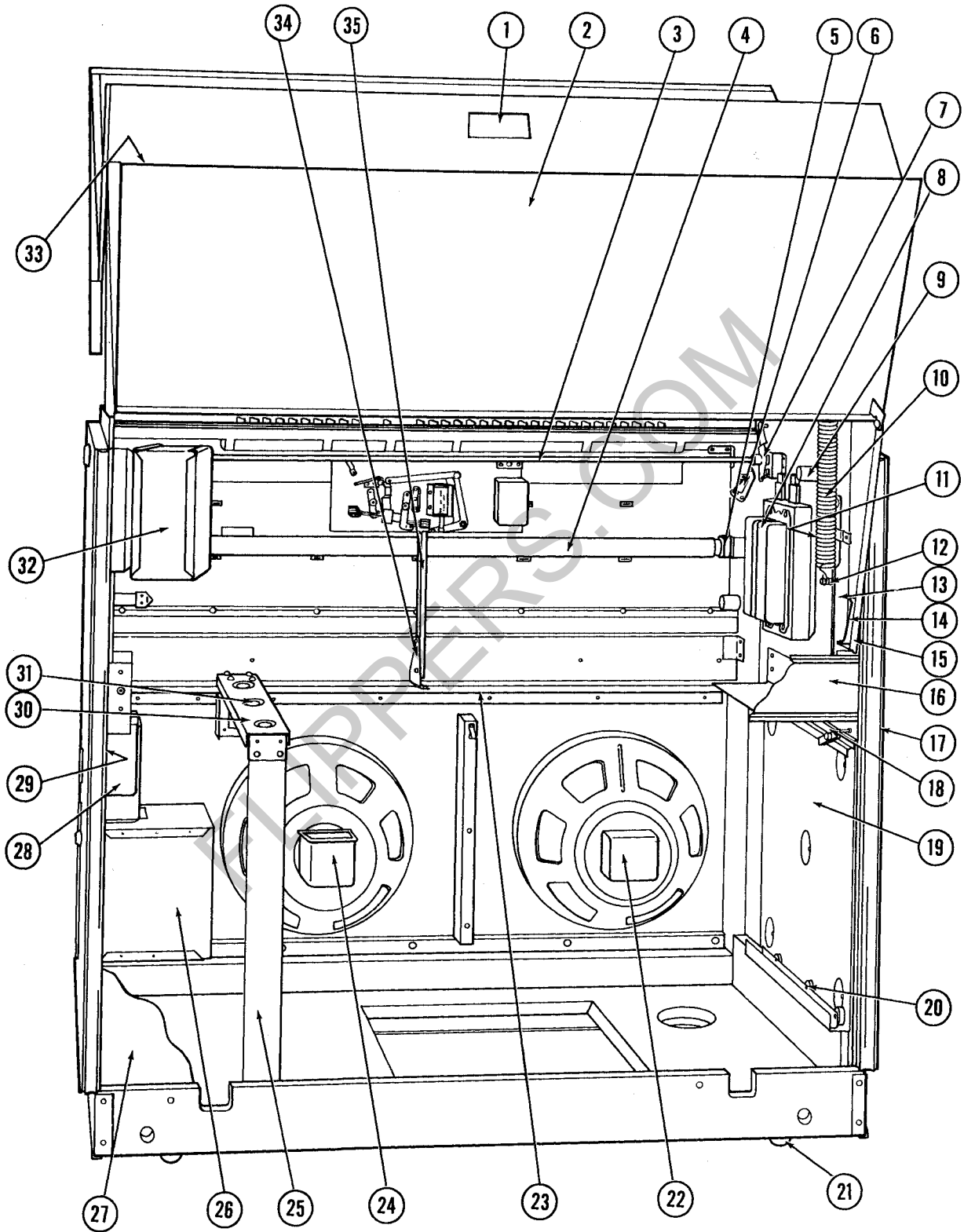
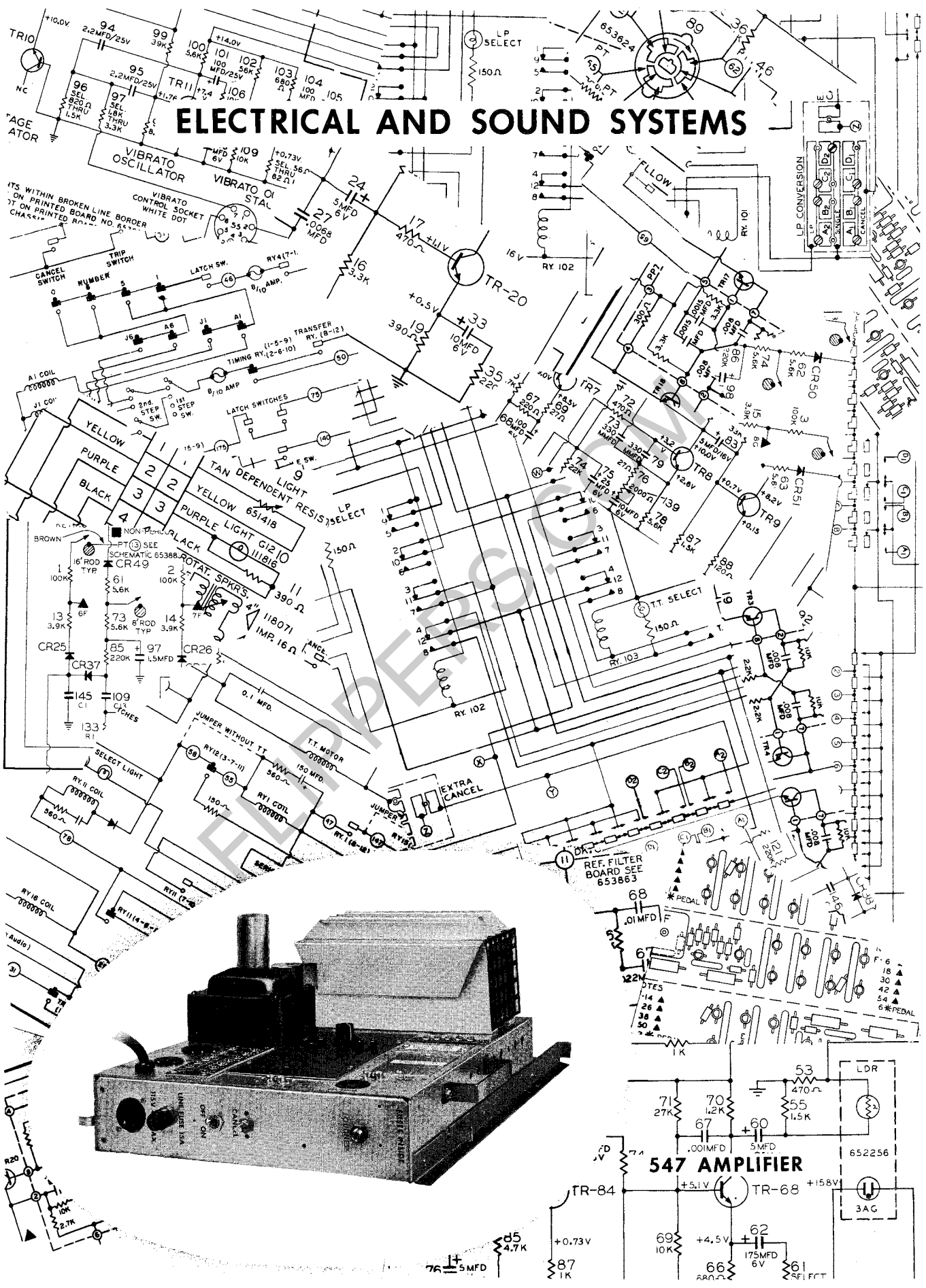


 FIG. 2. TRIM AND MOUNTING - BACK VIEW - 3100

1. Retainer, Service Card Holder	129304	16. Back Rail Assy.	129154
Window, Plastic	129303	Lock, RW100	128788
Back Up Plate, Service Card Holder	129511	Latch, Upper Door, Center	129156
Wing Nut	50379	17. Extrusion, Rub Rail	128954
2. Door, Upper Rear	128990	18. Stop Lever	129009
Hinge	129045	Spring	129282
3. Lock Lever & Shaft	128920	19. Mounting Plate & Guide Bracket	128979
4. Fluorescent Lamp, 30 Watt		20. Bracket & Roller Assy.	129079
Daylight, 36"	128781	21. Caster (4)	128780
5. Socket, Fluorescent Lamp	129155	22. Speaker, 12", 8 ohms	127612
6. Latch	127184	23. Light Diffuser, Grille	128938
Spring	122454	24. Speaker, 12", 16 ohms	120777
7. Bracket & Plate Assy., L.H.	126356	25. Support, Record Changer	128919
Bracket & Plate Assy., R.H.	126357	26. Coin Bag Housing	128882
8. Ballast (2)	128925	27. Door, Lower Rear	128935
9. Starter, FS-4	113558	28. Coin Return Chute	125444
Socket	53674	29. Centering Tool	69247
10. Spring, Fall Support Return	127661	30. Mounting Rail	128917
11. Spring, Fall Support Stop	123520	31. Screw, 3/8-16 x 2-1/2", Hex	122412
12. Fall Support & Pin	128869	Bushing	122024
13. Guide Assy., Fall Support, L.H.	129274	Spring	122023
Guide Assy., Fall Support, R.H.	129276	32. Box, Coin Mechanism	129239
14. Bracket & Spring, Fall Support, Upper		33. Hinge, Dome	129046
Rear Door	129481	34. Mounting Bracket, Center Brace	129405
15. Fall Support, Upper Rear Door	129483	35. Center Brace	129414

ELECTRICAL AND SOUND SYSTEMS



WIRING DIAGRAM COLOR CODE

100	200	SOLID COLOR WIRE	TRACER	100-200	SOLID COLOR WIRE	TRACER
A1	A	Tan	Brown	39	White	None
A6	B	Red	Brown	40-140	Black	None
B1	C	Orange	Brown	41	Brown	Yellow
B6	D	Yellow	Brown	42	Red	Yellow
C1	E	Lt. Green	Brown	43	Orange	Yellow
C6	F	Lt. Blue	Brown	44	Tan	Yellow
D1	G	Purple	Brown	45	Dr. Green	Yellow
D6	H	Gray	Brown	46	Dr. Blue	Yellow
E1	J	White	Brown	47-147	Purple	Yellow
E6	K	Pink	Brown	48	Gray	Yellow
F1	L	Brown	Black	49	White	Yellow
F6	M	Red	Black	50	Black	Yellow
G1	N	Orange	Black	51	Brown	Green
G6	P	Yellow	Black	52	Red	Green
H1	Q	Lt. Green	Black	53	Orange	Green
H6	R	Lt. Blue	Black	54	Yellow	Green
J1	S	Purple	Black	55	Tan	Green
J6	T	Gray	Black	56	Lt. Blue	Green
K1	U	White	Black	57	Purple	Green
K6	V	Tan	Black	58	Gray	Green
				59	White	Green
1	1	Brown	Orange	60	Black	Green
2	2	Red	Orange	61	Brown	Blue
	3	Tan	Orange	62	Red	Blue
4	4	Yellow	Orange	63	Orange	Blue
5	5	Lt. Green	Orange	64	Yellow	Blue
	6	Lt. Blue	Orange	65	Lt. Green	Blue
	7	Purple	Orange	66	Tan	Blue
	8	Gray	Orange	67	Pink	Blue
	9	White	Orange	68	Gray	Blue
	0	Black	Orange	69	White	Blue
				70	Black	Blue
100-200				71	Brown	Purple
	19	White	Purple	72	Red	Purple
	21	Brown	Red	73	Orange	Purple
	22	Tan	Red	74	Yellow	Purple
	23	Orange	Red	75-175	Lt. Green	Purple
	24	Yellow	Red	76	Lt. Blue	Purple
	25	Lt. Green	Red	77-177	Tan	Purple
	26	Lt. Blue	Red	78	Gray	Purple
	27	Purple	Red	79-179	White	Purple
	28	Gray	Red	80	Black	Purple
	29	White	Red	81	Brown	White
	30-130	Black	Red	82	Red	White
	31	Tan	None	83	Orange	White
	32	Red	None	84	Yellow	White
	33	Orange	None	85	Lt. Green	White
	34	Yellow	None	86	Lt. Blue	White
	35	Dr. Green	None	87	Purple	White
	36	Dr. Blue	None	88	Gray	White
	37	Purple	None	89	Tan	White
	38	Gray	None	90	Black	White

BILL OF MATERIALS 547 AMPLIFIER

ITEM	PART NO.	VALUE	REMARKS +	ITEM	PART NO.	VALUE	REMARKS
R-1	72244-32	150K	1/2 W. 10%	C-10	76399-141	.0025 MFD	DISC.
R-2	72244-32	150K	1/2 W. 10%	C-11	76306-11	.12 MFD	MYLAR 10%
R-3	72244-32	150K	1/2 W. 10%	C-12	76327-311	.068MFD	MYLAR
R-4	72224-32	22K	1/2 W. 10%	C-13	76383-341	.01 MFD	DISC.
R-5	72244-32	150K	1/2 W. 10%	C-14	76385-341	.0082MFD	DISC.
R-6	72224-32	22K	1/2 W. 10%	C-15	76399-341	.0025MFD	DISC.
R-7	72240-32	100K	1/2 W. 10%	C-16	76325-21	.047MFD	MYLAR
R-8	72222-32	18K	1/2 W. 10%	C-17			
R-9	72232-32	47K	1/2 W. 10%	C-18	74595-1	2.2 MFD	DISC.
R-10	72220-32	15K	1/2 W. 10%	C-19	74428-132	25 MFD	6V. ELECT
R-11	72186-32	560 OHM	1/2 W. 10%	C-20	76411-141	820MMFD	DISC.
R-12	72204-32	3.3K	1/2 W. 10%	C-21	76425-341	270MMFD	DISC.
R-13	72198-32	1.8K	1/2 W. 10%	C-22	73846-11	100 MFD	ELECT. 25V.
R-14	72210-32	5.6K	1/2 W. 10%	C-23	76264	500 MFD	ELECT. 15V.
R-15	72224-32	22K	1/2 W. 10%	C-24	76263	1200MFD	ELECT. 35V.
R-16	72212-32	6.8K	1/2 W. 10%	C-25	76425-341	270MMFD	DISC.
R-17	72240-32	100K	1/2 W. 10%	C-26	76425-341	270MMFD	DISC.
R-18	72216-32	10K	1/2 W. 10%	C-27			
R-19	72222-32	18K	1/2 W. 10%	C-28			
R-20	72222-32	18K	1/2 W. 10%	C-29			
R-21	72186-32	560 OHM	1/2 W. 10%	C-30	74432-136	100 MFD	25V.
R-22	72204-32	3.3K	1/2 W. 10%	C-31	76306-11	.12 MFD	MYLAR
R-23	72178-32	270 OHM	1/2 W. 10%	C-32	74428-132	25 MFD	ELECT. 6V.
R-24	72198-32	1.8K	1/2 W. 10%	C-33	74432-134	100 MFD	ELECT. 16V.
R-25	72224-32	22K	1/2 W. 10%	C-34A		● 1000MFD	
R-26	74868-2	120 OHM	7 W. 10%	C-34B	76253	▲ 500MFD	ELECT. 30V.
R-27	74826-2	390 OHM	5 W. 10%	C-34C		■ 500MFD	
R-28	74482-32	1.8 OHM	2 W. 10%	C-35	76252 -	3000MFD	ELECT. 50V.
R-29	74455-2	270 OHM	5 W. 10%	C-36	74581-22	.47 MFD	MYLAR
R-30	72264-32	1 MEG.	1/2 W. 10%	C-37	74581-22	.47 MFD	MYLAR
R-31	72222-32	18K	1/2 W. 10%	C-38	74581-22	.47 MFD	MYLAR
R-32	72226-32	27K	1/2 W. 10%	C-39	74581-22	.47 MFD	MYLAR
R-33	72216-32	3.9K	1/2 W. 10%	C-40	74321-14	.1 MFD	MYLAR
R-34	72264-32	1 MEG.	1/2 W. 10%	C-41	74567-27	.033MFD	1000V.
R-35	72218-32	12K	1/2 W. 10%				
R-36	72252-32	330K	1/2 W. 10%				
R-37	72220-32	15K	1/2 W. 10%	S-1	125709	D.P.S.T. MONO-STEREO	
R-38	72222-32	18K	1/2 W. 10%	S-2	125708	3 POSITION	
R-39	72196-32	1.5K	1/2 W. 10%	S-3	125708	3 POSITION	
R-40	72256-32	470K	1/2 W. 10%	S-4	68770	S.P.S.T.-CANCEL	
R-41	72232-32	47K	1/2 W. 10%	S-5	121301	D.P.S.T.-POWER	
R-42	125710	100K	BALANCE	T-1	127577	JUNCTION-TRANSFORMER	
R-43	72190-32	820 OHM	1/2 W. 10%	T-2	651058	AUDIO DRIVER	
R-44	72224-32	22K	1/2 W. 10%	T-3	125694	AUDIO OUTPUT	
R-45	72200-32	2.2K	1/2 W. 10%	F-1	71590-48	15 AMP.	
R-46	125700	100K	CONTROL	F-2	71590-33	8 AMP.	
R-47	72168-32	100 OHM	1/2 W. 10%	F-3	71590-27	5 AMP.	
R-48	74899-2	45 OHM	10 W. 10%	F-4	71590-33	8 AMP.	
R-49	74838-2	1.8 K	5 W. 10%	F-5	71590-27	5 AMP.	
R-50	74834-2	820 OHM	5 W. 10%	F-6	71590-22	3 AMP.	
R-51	72288-33	10 OHM	1 W. 20%	SR-1	120696	SILICON 18A	
R-52	72246-32	180K	1/2 W. 10%	SR-2			
R-53	72222-32	18K	1/2 W. 10%	SR-3	71588-19	SILICON 3A	
R-54	74826-2	390 OHM	5 W. 10%	D-1	650845	DIODE	
R-55	74818-2	50 OHM	5 W. 10%	BR	125989	BULB BARRETTTER	
C-1	76383-341	.01 MFD	DISC.	VR-1	125711	DIODE DUAL-YELLOW	
C-2	74592-1	.22 MFD	3V. DISC.	VR-2	125712	DIODE DUAL-RED	
C-3	76331-21	.15 MFD	MYLAR		125698	RELAY	
C-4	76331-21	.15 MFD	MYLAR	RY-5	129547	RELAY, RED DOT	
C-5	76323-311	.033 MFD	MYLAR 10%	Q-1 to 11	126093	LOW SIGNAL TRANS.	
C-6	74594-1	1.0 MFD	3V. DISC.	Q-15, 18	125721	DRIVER TRANS.	
C-7	76333-21	.22 MFD	MYLAR	Q-12, 13			
C-8	74428-132	25 MFD	6V. ELECT.	14, 16, 17	125703	P.A. TRANSISTOR	

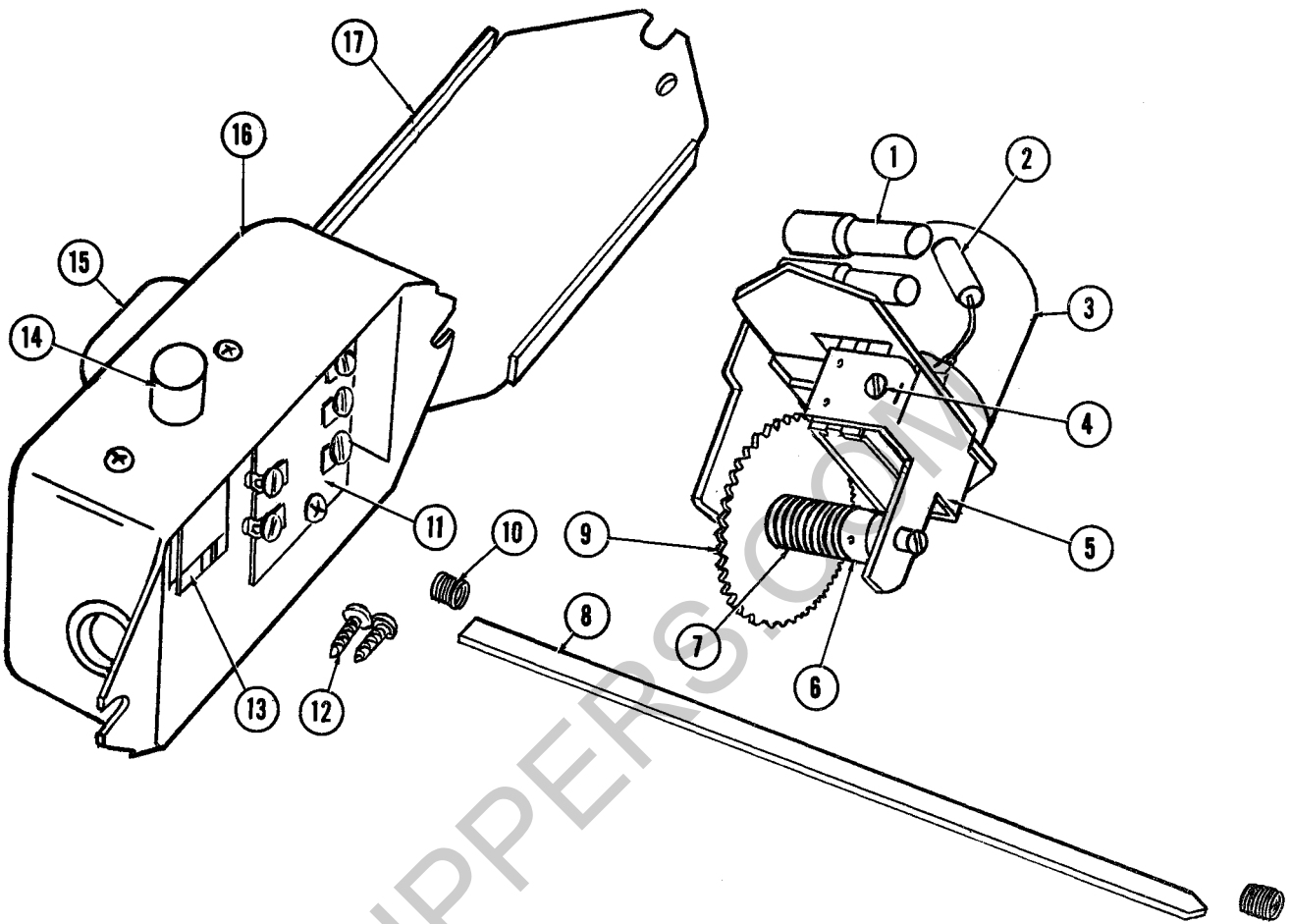


FIG. 9. 169-A REMOTE VOLUME CONTROL

1. Choke (2)	121291	10. Spring Connector (2)	120863
Cable Clamp	74264-5	11. Terminal Board & Lug Assy.	121235
2. Resistor, 47 ohm, 1/2W. (2)	72160-32	12. Mounting Screw, 1/2"-8, R.H., Type A	73592-20
3. Motor, Mtg. Brkt. & Wire Assy.	121006	13. Switch, Cancel	120708
Motor & Pinion Assy.	120880	14. Push Button Knob	120988
4. Mounting Screw, 6-32 x 1/4", Hex, Type 23 (2)	73776-22	15. Switch, Loudness Control Knob	120984 126135
5. Mounting Bracket Assy.	120872	Stop Plate	126134
6. Spring Retainer	120871	16. Control Case Assy., Complete	121008
Roll Pin (2)	73782-6	Case	120985
7. Spring	120998	17. Bottom Cover	120987
8. Connector Link	120862		
9. Gear	120866		

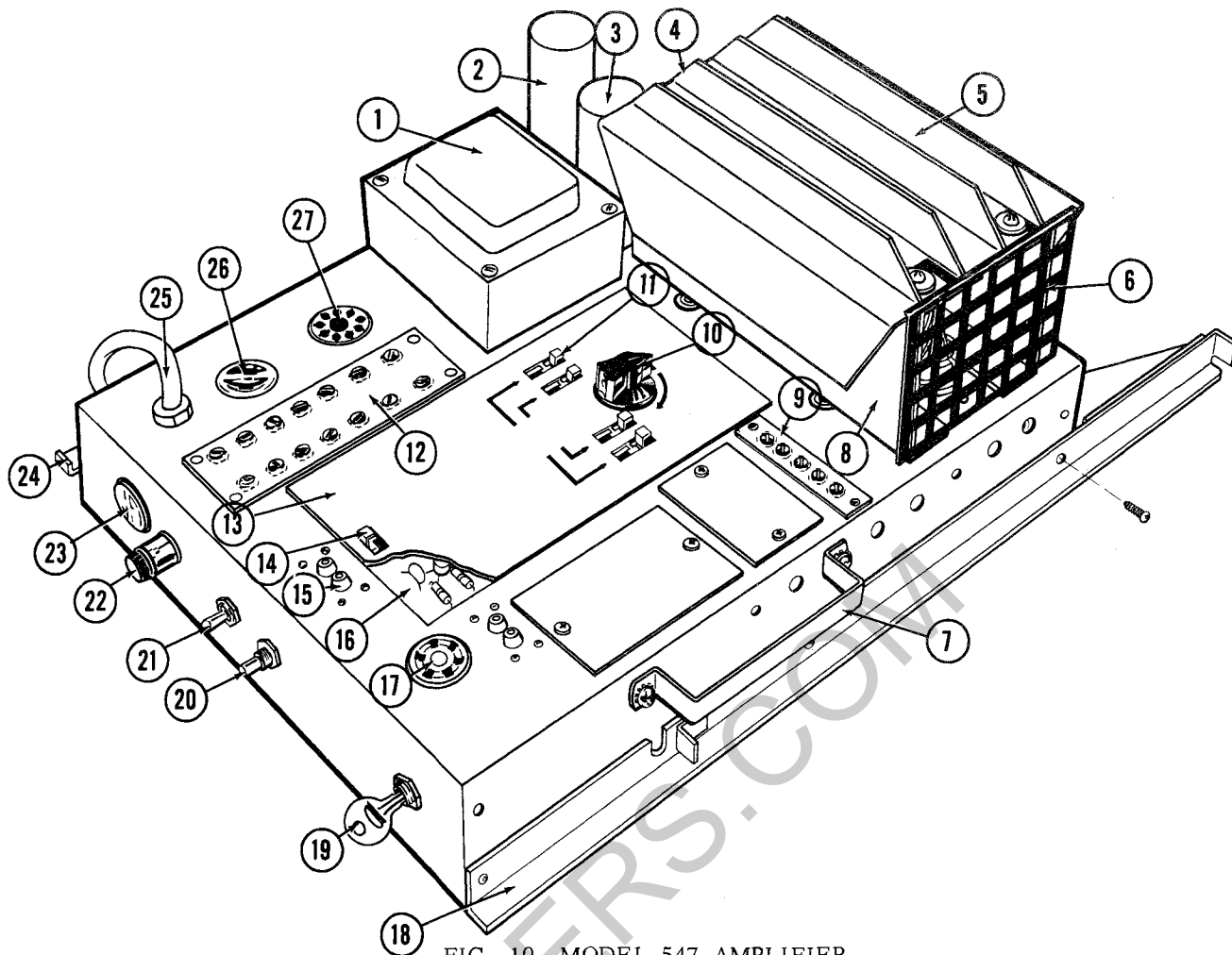


FIG. 10. MODEL 547 AMPLIFIER

1. Power Transformer	127557	Transistor, Q-12, Regulator	125703
2. Capacitor, Electrolytic	76252	Transistor, P.A. Module,	
3. Capacitor, Electrolytic	76253	Q13, Q14, Q16, Q17 Output	
4. Resistor, 120 Ohms, 7W.	74868-2	(Specify Color)	125703
5. Cover & Channel Assy.	126154	Transistor, Q15, Q18 Driver	125721
6. Guard	126155	Transformer, Driver	126502
7. Handle	126012		Optional 651058
8. P.A. Module, Complete (2)	126479	Socket, Transistor	125693
9. Terminal Strip	115492	Insulator	650446
10. Knob	125720	Silicon Heat Sink Compound	67887
11. Switch (4)	125708	Fuse, 5 Amp.	71590-27
12. Terminal Board, Output	125616	8 Amp.	71590-33
13. Cover & Silk Screen Assy.	125713	3 Amp.	71590-22
14. Switch	125709	17. Socket, 6 Pin	32881
15. Receptacle, Input	113420	18. Amplifier Guide, Top	128970
16. Printed Board, Complete	129418	19. Loudness Control Wire & Plug Assy.	125699
Relay, RY-5	125698	Key, Loudness Control	984
Relay, RY-5, Red Dot (Requires		Loudness Control	125700
50 ohm, 5W. Resistor)	129547	Plug, 9 Pin Miniature	125702
Resistor, 50 ohm, 5W.	74818-2	20. Cancel Switch	68770
Fuse Block	125695	21. Switch, Line	121301
Rectifier, 5A.	71588-18	22. Fuse Post	121809
Transformer, Audio Output (2)	125694	Fuse 15 Amp.	71590-48
Barretters (2)	125989	23. Receptacle, 2 Pole	13037
Clamp (2)	76266	24. Amplifier Guide, Bottom	129032
Capacitor (2) (1200 Mfd.)	76263	25. Line Cord	67464
Rectifier & Mounting Bracket Assy.,		26. Receptacle, 2 Pole	13037
18 Amp. (2)	120696	27. Socket, 11 Pin	38492