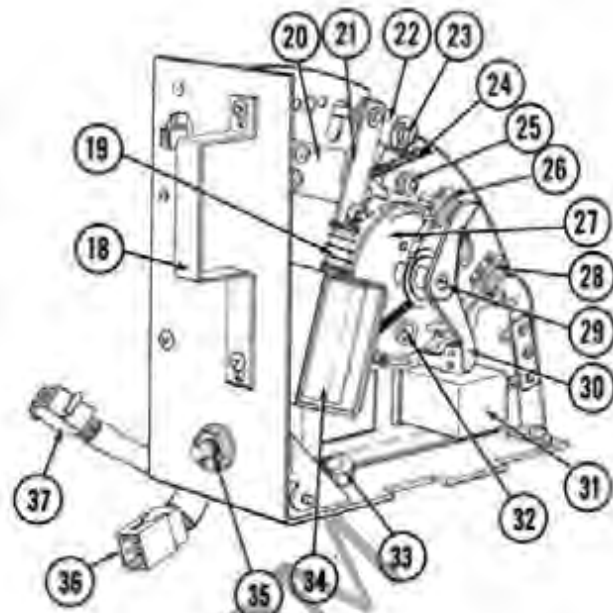
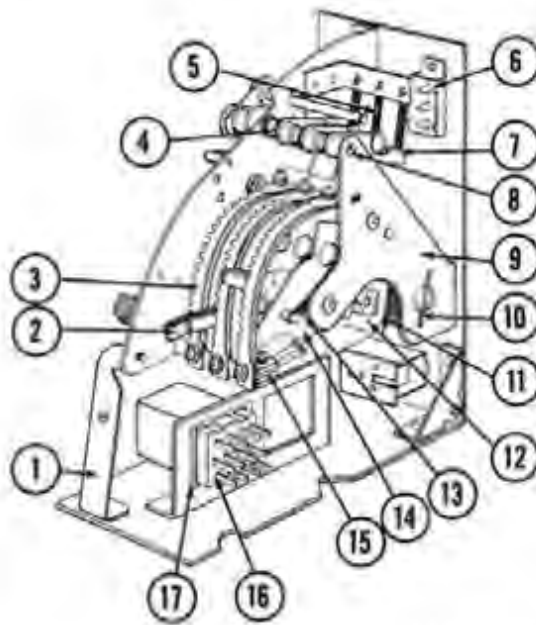


SLUG REJECTOR MOUNTING ASSEMBLY

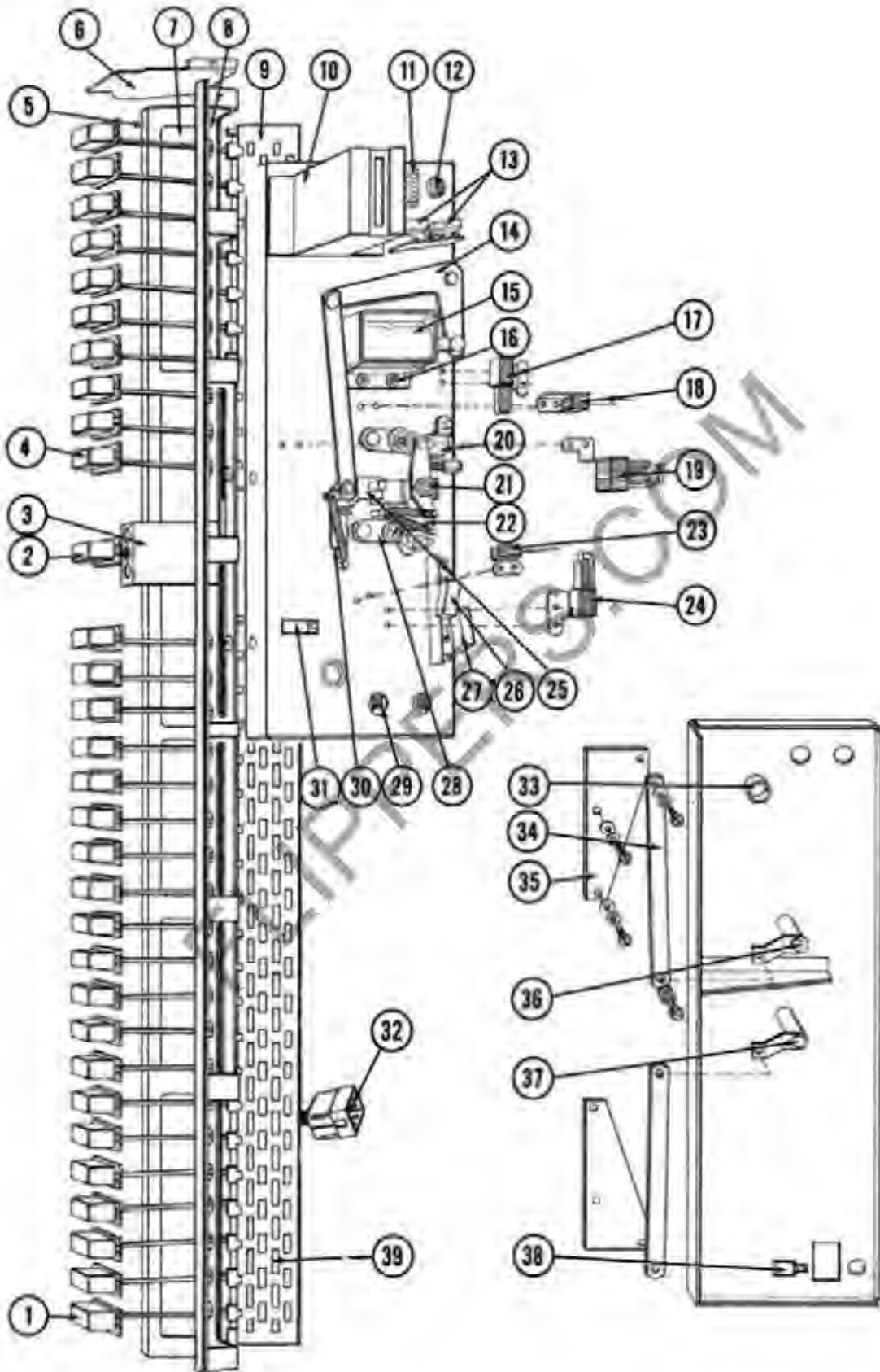
1. Cover and Clip Assembly	131539	12. Mounting Plate, Slug Rejector	124223
Cable Clamp (2)	123897	Screw 8 x 1 HEX A (3)	73867-24
Screw, 8-32 x 1/4 HEX SEM. (2)	76902-34	Washer (3)	52958
2. Locating Pin and Catch Assembly	131034	Grommet (3)	49884
Screw, 8-32 x 3/16 HEX SEM. (2)	76902-33	Spacer (3)	122944
3. Lever, Reject Rod	134537	13. Actuator and Bracket Assembly	134410
Retaining Ring	73724-25	Shaft	68300
4. Actuator and Pin Assembly	132411	Spring	122413
Spring	132409	Retaining Ring (2)	73724-25
Washer	27787	14. Angle and Guard Assembly	131215
Retaining Ring	73724-18	Thumbscrew (2)	35745
5. Coin Entry Chute	134422	15. Coin Switch	131186
Screw, 6-32 x 1/2 HEX SEM. (3)	76902-26	Screw, 6 x 1/2 HEX TYPE Z	16626-8
Screw, 6-32 x 3/8 HEX SEM.	76902-24	Spacer (2)	131522
Washer (4)	117713	Spacer	131584
Nut 6-32 (4)	73601-6	Speednut	74750-5
6. Mounting Bracket	134688	16. Shaft	119107-C
Screw, 8-32 x 1/4 HEX SWAGE (2)	74976-34	17. Copper Washer	119107-F
7. Mounting Bracket, Lower	134539	18. Long Paddle	119107-A
Screw, 8-32 x 1/4 HEX SEM. (2)	76902-34	19. Spacer	119107-D
8. Reject Rod	134535	20. Copper Washer	119107-F
Pivot Pin	132426	21. Copper Washer	119107-F
Retaining Ring (4)	72724-18	22. Short Paddle	119107-B
Nut (2)	73601-10	23. Iron Washer	119107-E
Lockwasher (2)	73605-9	24. Iron Washer	119107-E
9. Retaining Spring, Slug Rejector	130849	25. Mounting Bracket and Spacer Assembly	131039
Screw, 8-32 x 1/4 HEX SEM. (2)	76902-34	Screw, 8-32 x 1/4 HEX SEM.	76902-34
Washer	54024	Screw, 8-32 x 3/16 HEX SEM.	76902-33
10. Mounting Plate and Bracket Assembly	131036	Washer (2)	54024
Screw, 8-32 x 5/16 HEX SEM. (2)	76902-35	26. Brace, Support Bracket	134685
Screw, 8-32 x 1/4 HEX SEM. (4)	76902-34	Screw, 8-32 x 1/4 HEX SEM.	76902-34
Washer (5)	54024	27. Bracket and Pin Assembly	134685
11. Shipping Clip, Slug Rejector	131632	Screw, 8-32 x 1/4 HEX SEM.	76902-34
Screw, 8-32 x 5/16 HEX SEM.	76902-35	Screw, 8-32 x 3/8 HEX SEM.	76902-36
Washer	657		

SECTION A



COIN REGISTER MECHANISM

1. Brace, Door and Front Plate Screw, 6-32 x 1/4 HEX SEM. Screw, 6-32 x 1/4 HEX SEM. (2)	66077 76902-22 76910-22	21. Link Solenoid Retaining Ring Cotter Pin Washer Pin, Solenoid Shaft	66005 73724-15 23355 487 68947
2. Stop Lever and Spring Assembly (3)	66132	22. Pivot Arm and Pawl Assembly	123637
3. Indexing Strip, 10 cent Indexing Strip, 25 cent Indexing Strip, 50 cent Washer (6) Screw, 4-40 x 3/16 HEX SEM. (6)	123659 123658 123657 38514 76902-21	23. Pivot Pin, Pawl Retaining Ring Washer Washer Spacer	123635 73724-25 53377 63692 66075
4. Spacer, Lockout Levers Lockwasher #8	123636 73604-6	24. Spring, Pawl	62145
5. Spring	62145	25. Adjustment Cam Screw, 6-32 x 5/8 HEX SEM. Lockwasher #6 Nut 6-32	42868 76902-67 73604-5 73601-6
6. Switch	126000	26. Mounting Bracket and Switch Assembly Switch Assembly Mounting Bracket Screw, 6-32 x 1/4 HEX SEM. Washer	134118 134149 134105 76902-22 46641
7. Hub and Lever Assembly, Lockout (3)	123648	27. Cancel Wheel and Mounting Plate Assembly	130777
8. Shaft, Lockout Levers	123634	28. Key Switch and Bracket Assembly Switch Assembly Mounting Bracket Screw, 6-32 x 3/16 HEX SEM. (2) Washer (2)	134114 134149 134104 76902-21 46641
9. Back Plate Screw, 6-32 x 1/4 HEX SEM. (3)	123660 76902-22	29. Shaft, Accumulator Wheel Retaining Ring (2)	134112 73724-25
10. Mounting Bracket, Magnets Screw, 6-32 x 1/4 HEX SEM.	123642 76902-22	30. Mounting Bracket and Switch Assembly Switch Assembly Mounting Bracket Screw, 6-32 x 1/4 HEX SEM. Washer	134115 134116 134106 76902-22 46641
11. Coil Assembly	65770	31. Relay, Red	122366
12. Lever, Hub and Stud Assembly (3) Retaining Ring Spacer, Latch Lever (2) Spring (3)	123643 73724-18 123647 128843	32. Screw, 6-32 x 3/8 Blind Nylon	74977-14
13. Spring, Accumulator Wheel (3)	124849	33. Strain Relief	71878-6
14. Accumulator Wheel and Hub Assembly (3)	123650	34. Solenoid, Cancel	124925
15. Adjusting Plate and Switch Assembly Switch Assembly Adjustment Plate Screw, 6-32 x 1/4 HEX SEM. Washer	132631 132632 132630 76902-22 46641	35. Circuit Breaker Palmut Lockwasher	128762 73797-15 73607-11
16. Relay, Socket	122131	36. Plug -12 V	131176
17. Retaining Spring	122132	37. Receptacle 4	131171
18. Handle, Coin Mechanism Screw, 6-32 x 1/4 HEX SEM. (2)	129675 76902-22		
19. Spring, Solenoid Return Eyelet (2)	66072 66070		
20. Stop Bracket, Pawl Screw, 6-32 x 3/16 HEX SEM. (2) Washer	66069 76902-21 46641		



## SELECTOR SWITCH ASSEMBLY ILLUSTRATED PARTS LIST

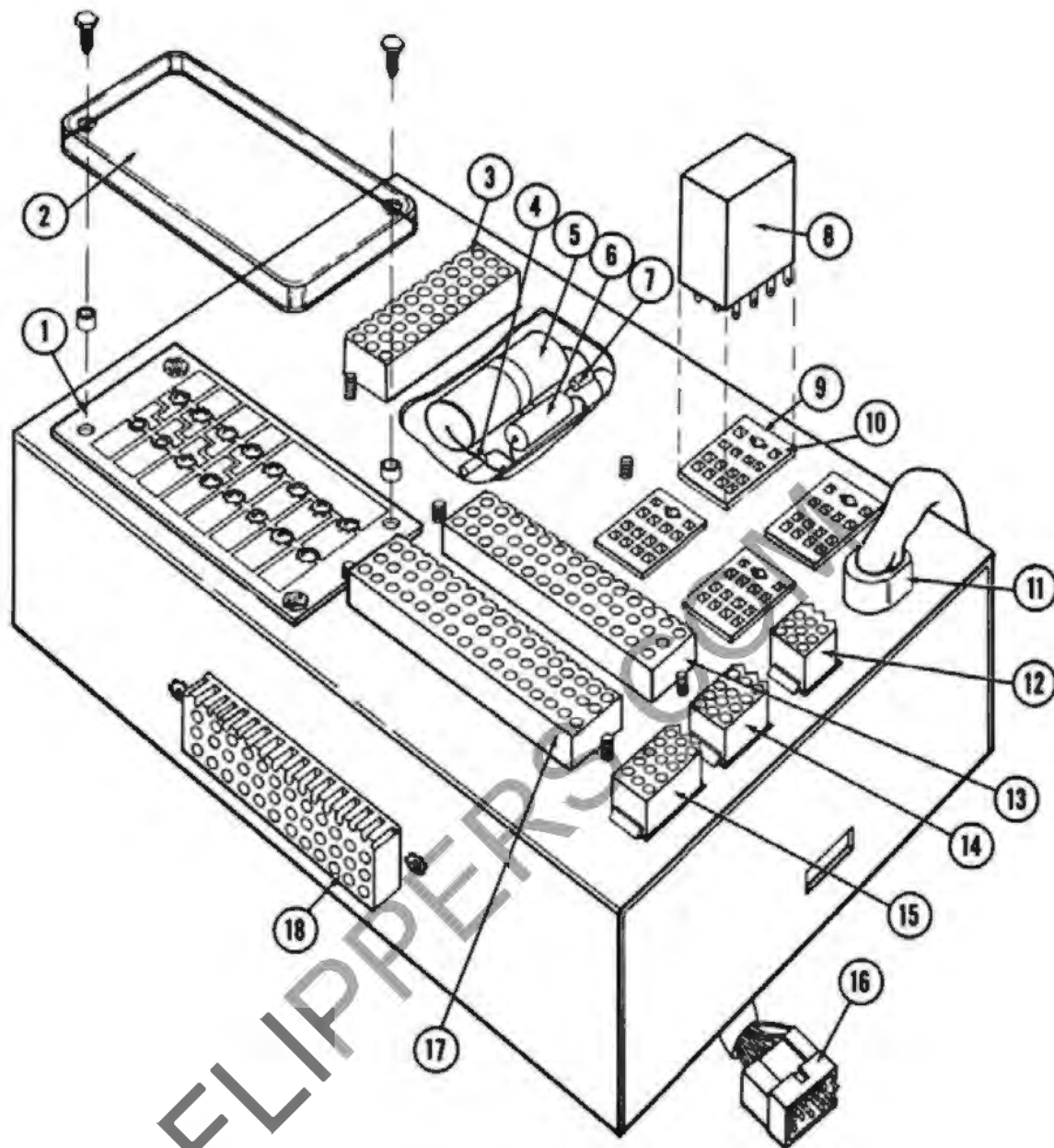
	200	160	100
1. Selector Button and Clip Assembly, A	131953	131953	131953
Selector Button and Clip Assembly, B	131954	131954	131954
Selector Button and Clip Assembly, C	131955	131955	131955
Selector Button and Clip Assembly, D	131956	131956	131956
Selector Button and Clip Assembly, E	131957	131957	131957
Selector Button and Clip Assembly, F	131958	131958	131958
Selector Button and Clip Assembly, G	131959	131959	131959
Selector Button and Clip Assembly, H	131960	131960	131960
Selector Button and Clip Assembly, J	131961	131961	131961
Selector Button and Clip Assembly, K	131962	131962	131962
Selector Button and Clip Assembly, L	131963	131963	
Selector Button and Clip Assembly, M	131964	131964	
Selector Button and Clip Assembly, N	131965	131965	
Selector Button and Clip Assembly, P	131966	131966	
Selector Button and Clip Assembly, Q	131967	131967	
Selector Button and Clip Assembly, R	131968	131968	
Selector Button and Clip Assembly, S	131969	131969	
Selector Button and Clip Assembly, T	131970	131970	
Selector Button and Clip Assembly, U	131971	131971	
Selector Button and Clip Assembly, V	131972	131972	
Cap Only	131900	131900	131900
Clip Only	131909	131909	131909
2. Button and Clip Assembly, Reset	131983	131983	131983
3. Stop Bracket	132349	132349	132349
Switch and Wire Assembly	132231	132231	132231
Screw, 6-32 x 1/4 Hex. Sem. (2)	76902-22	76902-22	76902-22
4. Selector Button and Clip Assembly, 1	131973	131973	131973
Selector Button and Clip Assembly, 2	131974	131974	131974
Selector Button and Clip Assembly, 3	131975	131975	131975
Selector Button and Clip Assembly, 4	131976	131976	131976
Selector Button and Clip Assembly, 5	131977	131977	131977
Selector Button and Clip Assembly, 6	131978	131978	131978
Selector Button and Clip Assembly, 7	131979	131979	131979
Selector Button and Clip Assembly, 8	131980	131980	131980
Selector Button and Clip Assembly, 9	131981		131981
Selector Button and Clip Assembly, 10	131982		131982
Cap Only	131900	131900	131900
Clip Only	131909	131909	131909
Complete Set Selector Button and Clip Assembly	131953A	131953C	131953B
5. Mounting Plate	132030	132030	134196
6. Light Shield (2)	132613	132613	132613
7. Light Diffuser	134198	134198	134198
8. Light Diffuser	134197	134197	134197
9. Selector Switch - Numbers	134760	134283	133552
10. Electric Counter	134192	134192	134192
Screw, 6-32 x 1/4 Hex. Sem. (2)	76902-22	76902-22	76902-22
11. Receptacle - 9W	131173	131173	131173
Contact (6)	132001	132001	132001
12. Switch - Slide	126106	126106	126106
13. Resistor -175 ohm -5W (2)	74824-2	74824-2	74824-2
14. Crank and Link Assembly	111720	111720	111720
Retaining Ring	73724-15	73724-15	73724-15
Retaining Ring	73724-18	73724-18	73724-18

## SECTION B

## ILLUSTRATED PARTS LIST CONT

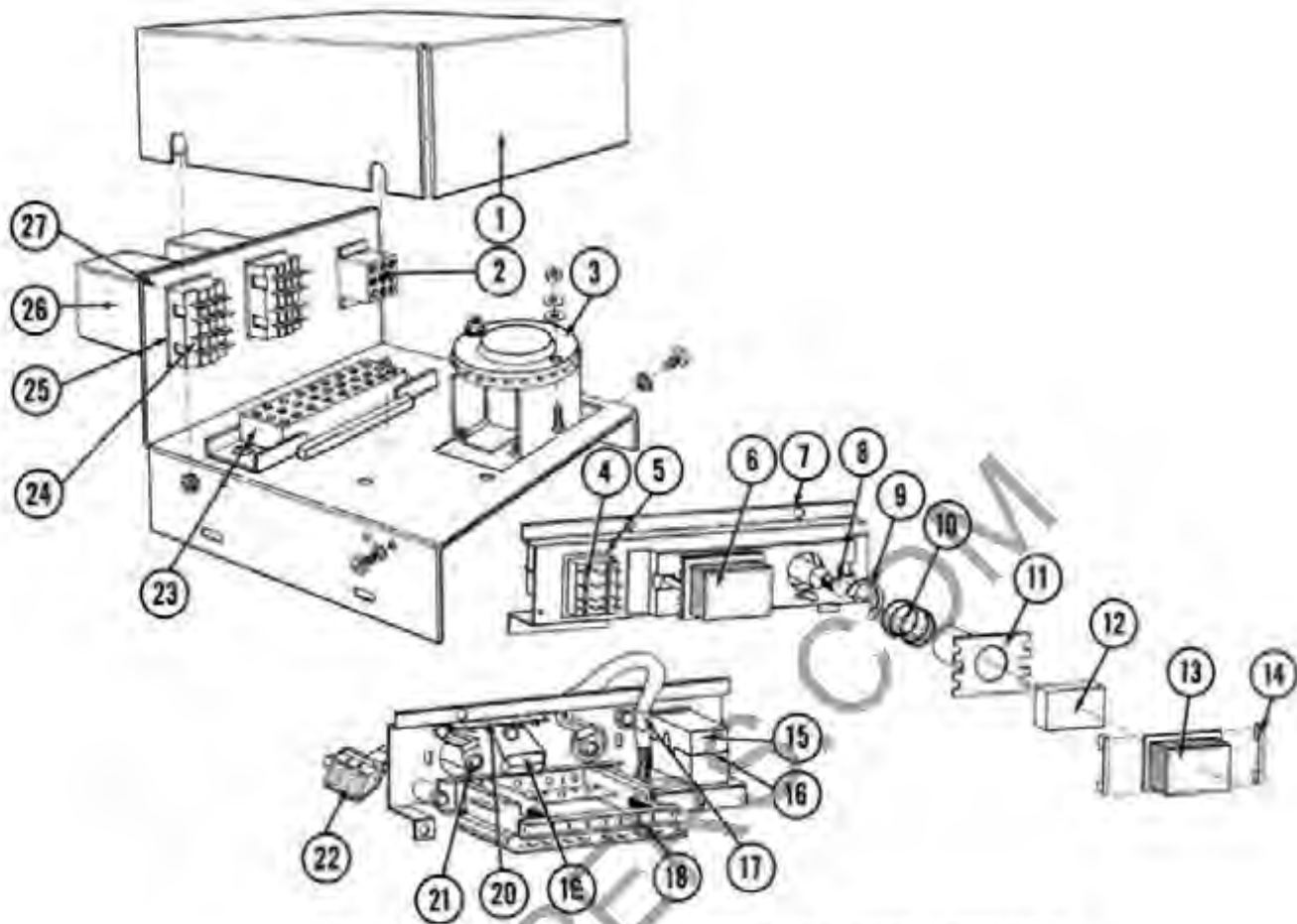
	ALL MODELS		ALL MODELS
15. Latch Solenoid	112104	30. Stop Bracket	56628
Plunger, Solenoid	112104-1	Screw, 8-32 x 1/4 Hex. Sem. (2)	76902-34
Pin, Solenoid Plunger	65947	Washer (2)	27787
Washer	487	Rubber Grommet	117689
Cotter Pin	23355	31. Cable Clamp (2)	73804-6
Screw, 6-32 x 3/16 Hex. Sem.	76902-21	Screw, 6-32 x 3/8 Hex. (2)	76901-68
16. Mounting Bracket, Latch Solenoid	117747	32. Socket, Molex, 48	130019
Screw, 8-32 x 1/4 Hex. Sem. (2)	76902-34	Pin (46)	132200
Washer	54024	Pin (36)	
17. Switch and Bracket Assembly, Latch, Numbers	126314	33. Snap Bushing (2)	74849-10
Switch Assembly	60518	34. Connector Link (2)	3400-3460 126550
Retainer Plate	63014	Connector Link (2)	3410 126551
Screw, 3-48 x 5/8 R.H. (2)	73503-18	Shoulder Bushing, Link (4)	124018
Mounting Bracket	121005	Spacer, Shoulder Bushing (2)	124040
Screw, 8-32 x 1/4 Hex. Sem. (2)	76902-34	Screw, 6-32 x 3/8 Hex. Sem. (4)	76902-24
18. Switch and Bracket Assembly, Series, Numbers	111810	35. Connector Link Plate (2)	126521
Switch Assembly	64981	Spacer, Link, Selector Switch (4)	126299
Retainer Plate	63014	Screw, 8-32 x 3/8 Hex. Sem. (4)	76902-39
Screw, 3-48 x 3/8 R.H. (2)	73503-15	Washer	27787
Mounting Bracket	111746	36. Shaft, Link and Lever Assembly	126510
Screw, 8-32 x 1/4 Hex. Sem. (2)	76902-34	37. Shaft, Link and Lever Assembly	126507
19. Switch and Bracket Assembly, Latch Solenoid	134396	38. Clamp	76908-13
Switch Assembly	134397	Screw, 8-32 x 5/16 Hex. Sem.	76902-35
Retainer Plate	63014	39. Selector Switch, Letters	3400-3460 133553
Screw, 3-48 x 1 R.H. (2)	73503-157	Selector Switch, Letters	3410 133551
Mounting Bracket	125402		
Screw, 8-32 x 1/4 Hex. Sem.	76902-34		
Washer	73608-45		
20. Latch Lever, Numbers	65009		
Screw, 8-32 x 1/4 Hex. Sem.	76902-34		
Washer	73608-45		
21. Trip Lever, Right Hand, Numbers	117694		
Stop Nut, 10-32	74988-14		
Washer (2)	76610		
Washer	56773		
Spring, Trip Lever, Right Hand	57129		
22. Trip Lever, Left Hand, Letters	117691		
Spacer	57790		
Spring, Trip Lever, Left Hand	120067		
23. Switch and Bracket Assembly, Series, Letters	66007		
Switch Assembly	64982		
Retainer Plate	63014		
Screw, 3-48 x 7/16 R.H. (2)	73503-16		
Mounting Bracket	64991		
Screw, 8-32 x 1/4 Hex. Sem. (2)	76902-34		
24. Switch and Bracket Assembly, Latch, Letters	126314		
Switch Assembly	60518		
Retainer Plate	63014		
Screw, 3-48 x 5/8 R.H. (2)	73503-18		
Mounting Bracket	121005		
Screw, 8-32 x 1/4 Hex. Sem. (2)	76902-34		
25. Release Lever	129102		
Washer	56773		
Spring, Solenoid Return	57130		
26. Resistor, 85 ohm, 5W	74819-2		
27. Resistor, 175 ohm, 5W	74824-2		
28. Latch Lever, Letters	117695		
Screw, 8-32 x 1/4 Hex. Sem.	76902-34		
Washer	73608-45		
29. Switch, L.P. Conversion	62886		





JUNCTION BOX ASSEMBLY ILLUSTRATED PARTS LIST

1. Printed Board Assembly	134038	8. Relay, White (4)	122123
2. Cover and Label Assembly	135138	9. Socket and Paint Assembly (4)	123080
Screw, 6 x 5/8 Hex. Z (2)	76626-9	10. Retainer, Socket (4)	122132
Spacer (2)	66165	11. Strain Relief	71878-16
Cover and Label Assembly	135139	12. Plug, 9, Red	131931
Cover and Label Assembly	135140	13. Plug, 45	134046
Screw, 6 x 1 Hex. A (2)	73867-12	14. Plug, 12, White	131175
Spacer (2)	111707	15. Plug, 15, White	131888
3. Plug, 30	134031	16. Socket, 12, Blue	134252
4. Resistor 47 ohm	72160-32	Pin (10)	132000
5. Capacitor 500 MFD 50V	74909	17. Plug, 48	130020
6. Capacitor 20 MFD 50V	73840-42	18. Plug, 45	134046
7. Rectifier	71588-21		



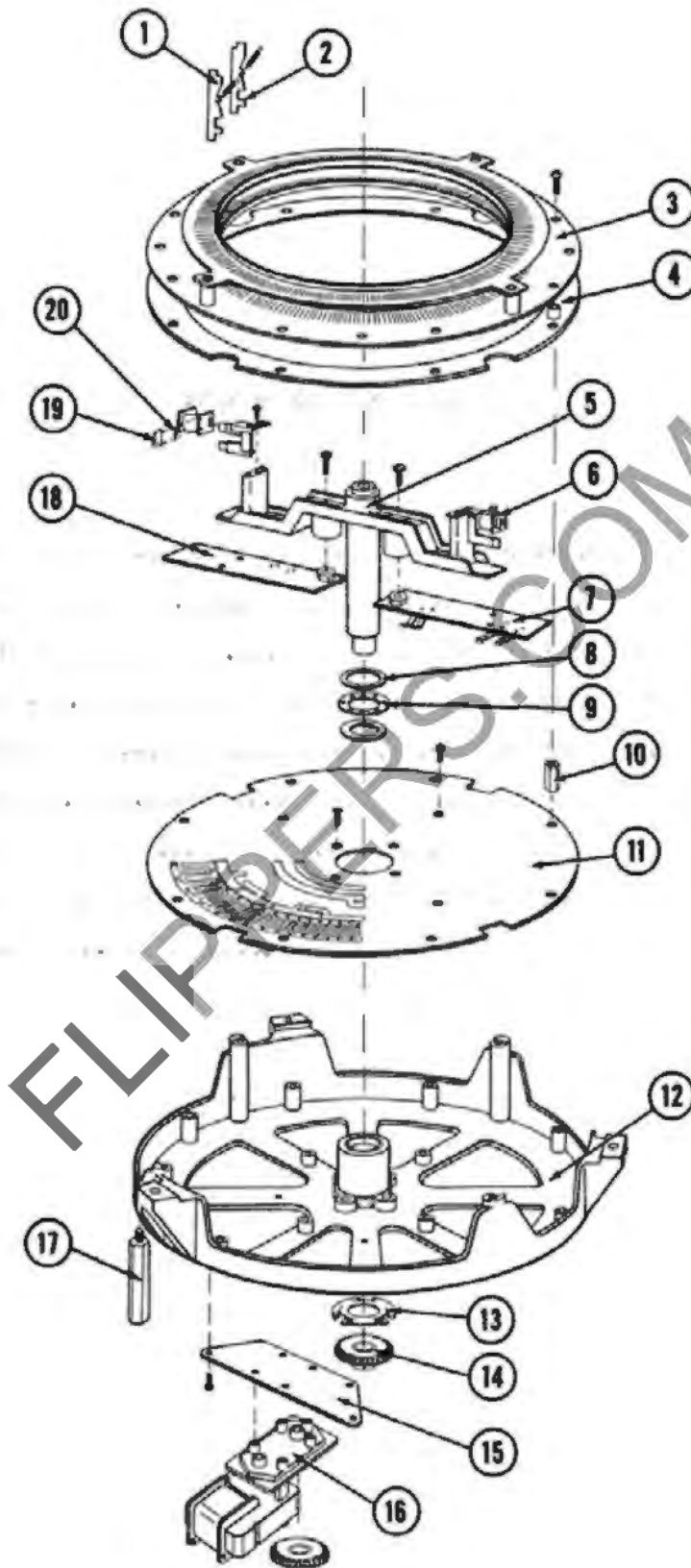
TOP TUNE UNIT AND MOUNTING BRACKET ASSEMBLY

1. Cover, Top Tunes	134033	17. Cable Clamp	73804-4
Screw, 6 x 1/4 Hex. Z (4)	76626-5	Screw, 8-32 x 1/4 Hex. Swage	74976-24
2. Plug, 9, White	131173	Washer	42120
Pin (4)	132000	18. Selector Switch	134738
3. Relay	61919	Screw, 6-32 x 7/8 Hex. Swage(2)	74976-29
Screw, 6-32 x 1/4 R.H. Sem. (2)	73533-22	Spacer (2)	134746
4. Socket, Relay	122131	19. Resistor 85 ohm, 10% 5W	74819-2
5. Retainer, Socket	122132	20. Insulated Mounting Strip	24277
6. Button	134834	Screw, 6-32 x 1/4 Hex. Swage	74976-29
Insert, Button	134837	21. Light Socket and Wire	
Insert	134835	Assembly (2)	134812
7. Mounting Bracket	134625	Screw, 6-32 x 1/4 Hex. Swage(2)	74876-22
8. Lamp #51 (2)	37987	22. Plug, 9	131174
9. Retaining Ring (2)	73728-75	Pin (6)	132000
10. Spring (2)	134841	23. Plug, 30	134030
11. Mounting Plate and Plunger		Pin (29)	132000
Assembly (2)	134756	Clamp (2)	654140
12. Insert	134836	Screw, 8 x 3/8 Hex. Z (2)	76626-13
13. Button	134834	24. Socket, Relay, White (2)	131030
Insert, Button	134838	25. Retainer, Socket (2)	122132
14. Retainer, Button (4)	134814	26. Relay, White (2)	122133
15. Relay, White	122133	27. Chassis and Silk Screen Assembly	134027
16. Hold Down Spring	134840	Screw, 6-32 x 1/4 Hex. Swage(4)	74976-34

## INDEX TO PARTS DRAWINGS

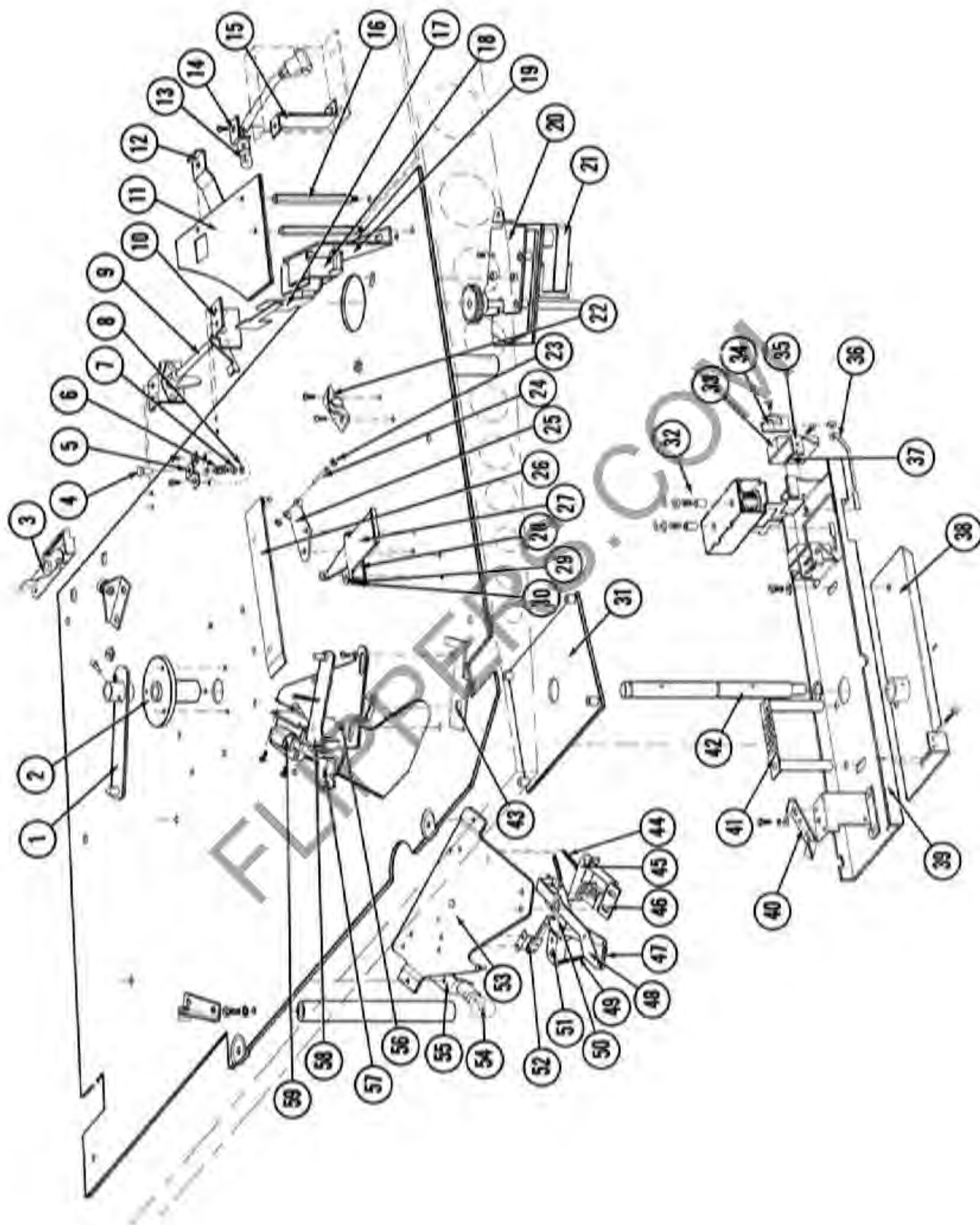
Selection Accumulator.....	Page 24 - 25C
Record Changer L. H. ....	Page 26 - 27C
Record Magazine Assembly.....	Page 28C
Record Takeout Arm.....	Page 29C
Cam and Gear Assembly.....	Page 30 - 31C
Turntable Assembly.....	Page 32C
Tone Arm Assembly.....	Page 33C
Turntable and Mounting Plate Assembly.....	Page 34 - 35C
Record Changer R.H.....	Page 36 - 37C





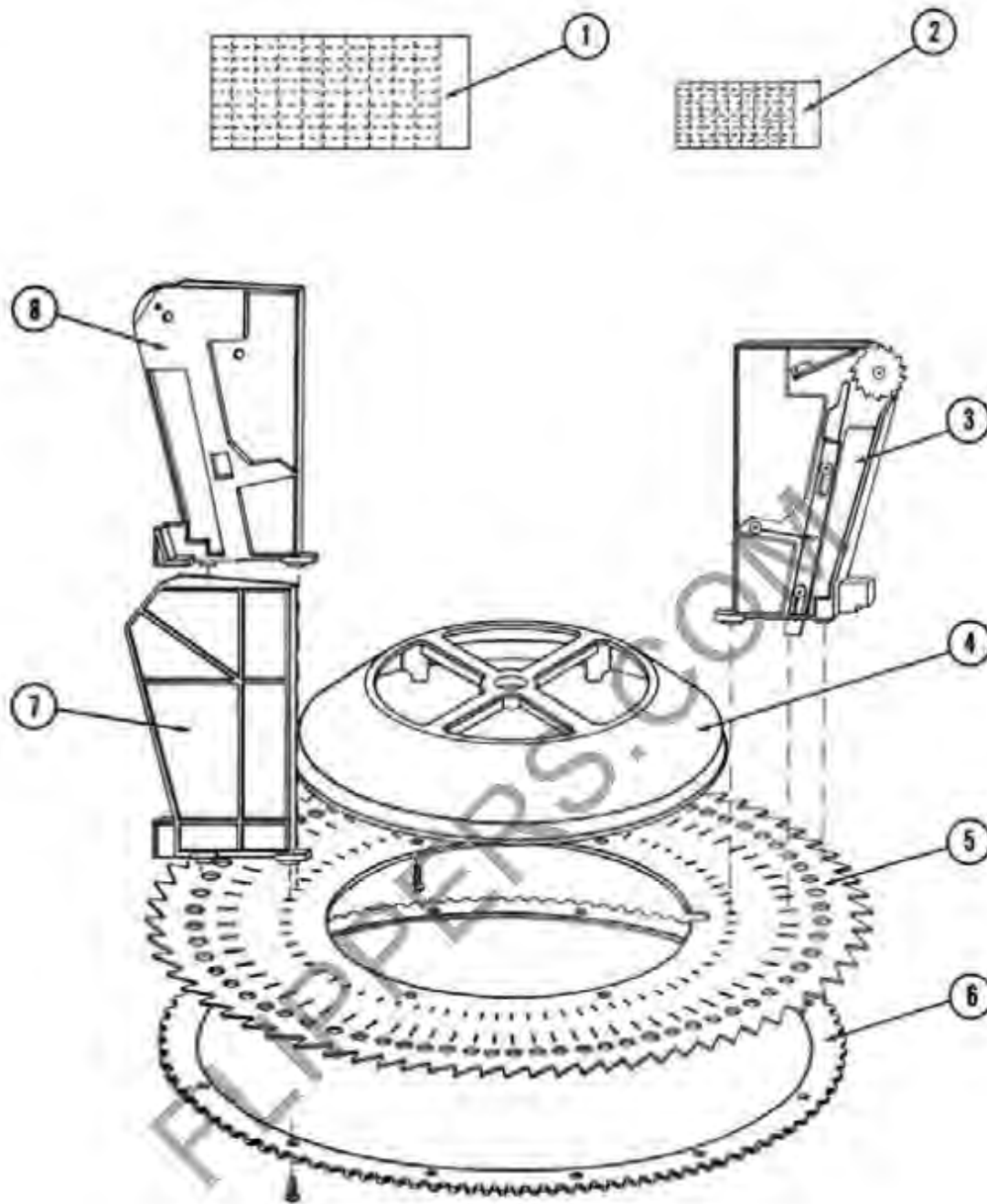
## SELECTION ACCUMULATOR ILLUSTRATED PARTS LIST

1. Latch Pin - Inside		128321
2. Latch Pin - Outside		128320
Spring-Latch Pin-Selection Accumulator		128322
3. Ring and Spacer Assembly	3400	133532
Ring and Spacer Assembly	3410	134082
Ring and Spacer Assembly	3460	134245
Screw, 8-32 x 5/16 Rd.		
Sems (4)		73533-35
Screw, 8-32 x 1-1/8 Rd.		
Sems (8)		73533-43
Spacer (8)		128324
4. Plate - Pin Stop		133348
5. Shaft and Magnet Arm Assembly - Selection Accumulator		133499
6. Bobbin and Wire Assembly (2)		133375
7. Contact Plate and Blade Assembly		133447
Screw, 8-32 x 1 Rd. Hd. Sems		73533-42
Screw, 6-32 x 7/16 Rd. Hd.		
Sems (2)		73583-25
8. Thrust Washer (2)		122630
9. Ball Race		122631
10. Spacer - Selection Accumulator		133886
11. Contact Board and Cable Assembly	3400	133709
Contact Board and Cable Assembly	3460	134273
Contact Board and Cable Assembly	3410	134122
Screw, 8-32 x 5/16 Rd. Sems		73533-35
Washer (8)		51822
Plug - 45		134045
Pin		132000
12. Casting and Bushing Assembly - Selection Accumulator		133531
Clutch and Bearing Assembly		128638
13. Spring Washer		128739
14. Gear and Hub Assembly- Selection Accumulator-Shaft		128305
Set Screw, 8-32 x 1/8 Fl.		73513-28
15. Motor Mounting Plate - Selection Accumulator		128291
Screw, 8-32 x 5/16 Rd. Sems		73533-35
16. Motor and Gear Assembly		135136
Screw, 8-32 x 5/16 Rd. Sems		73533-35
Gear and Hub Assembly		128293
Roll Pin		73782-34
17. Support Leg, Selection Accumulator (For Service Only)		133420
18. Contact Plate and Blade Assembly		133446
Screw, 8-32 x 1 Rd. Hd. Sems		73533-42
Screw, 6-32 x 7/16 Rd. Hd.		
Sems (2)		73533-25
19. Capacitor, .18 mfd. 75V (2)		76201-17
20. Diode - Zener (2)		128449



## RECORD CHANGER ILLUSTRATED PARTS LIST, L. H.

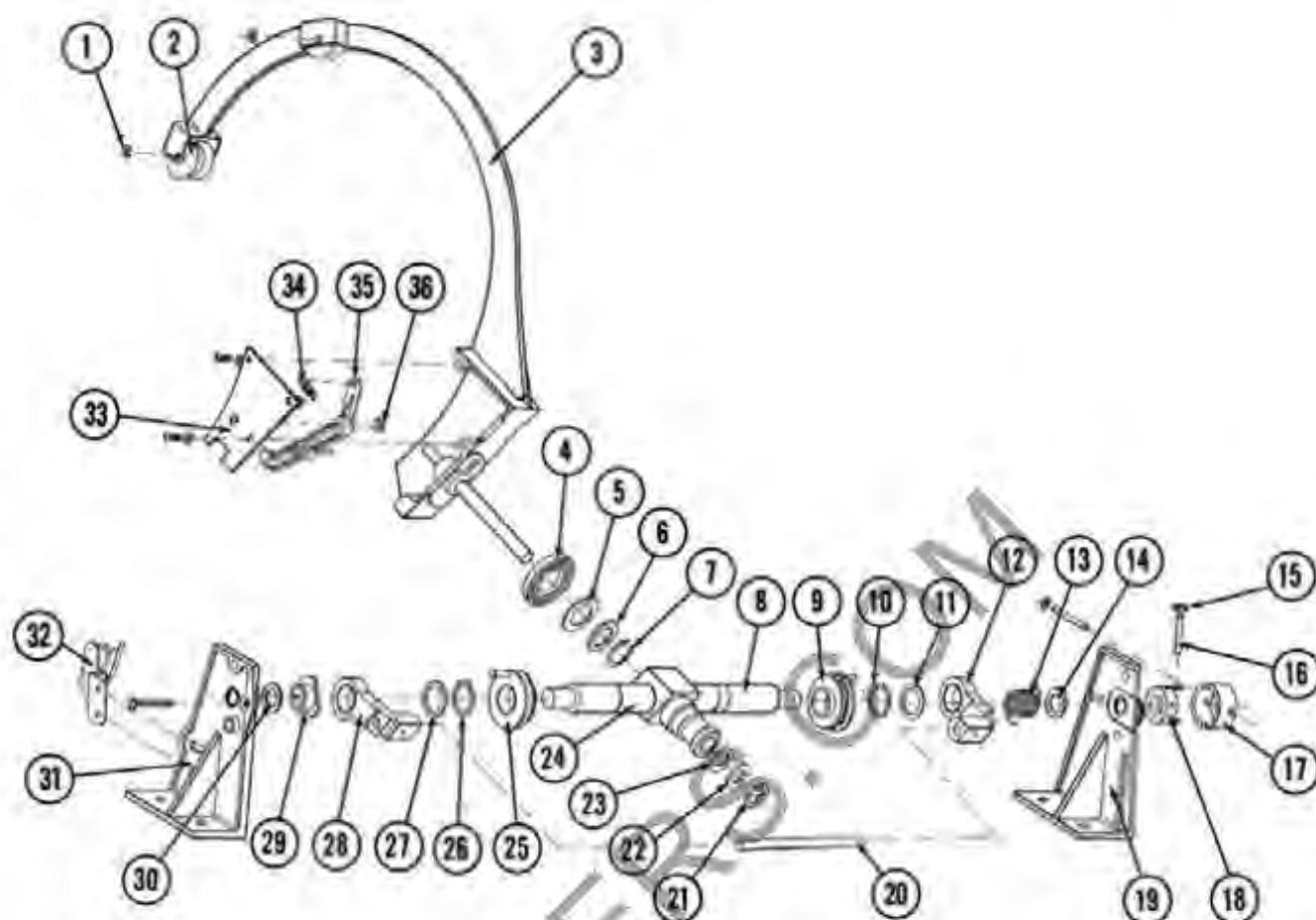
1. Drive Arm Assembly, Magazine (Part of Drive Arm and Support Assembly, 133504)	133466	33. Readout Arm Switch (2)	133448
2. Housing, Bearing, Magazine Shaft	128384	34. Bracket, Prétravel (2)	133389
3. Backstop Pawl Assembly	122084	35. Bracket Assembly, Readout (2)	133475
Spring	59710	36. Actuator Lever, Outside	133392
Bumper	54246	Actuator Lever, Inside	133391
4. Plunger, Counter Wheel Actuator	133951	Washer (2)	53519
5. Bracket, Plunger	133950	Springgrip Fastener (2)	76896-9
6. Spring, Plunger	134000	37. Spring, Readout Switch (2)	133426
7. Cup Washer	124530	38. Support Arm and Stop Nut Assembly (Part of Drive Arm and Support Arm Assembly, 133504)	133465
8. Retaining Ring	73724-25	39. Readout Arm and Support Assembly	133997
9. Counter Lever and Shaft Assembly	133952	40. Override Cam	133461
10. Bearing Bracket and Bushing Assembly	133959	41. Contact Assembly, Readout Arm	133432
11. Plate and Silk Screen Assembly	134888	42. Shaft, Drive Arm	133385
12. Mirror, Record Playing	134891	43. Positioning Plate, Magazine Lock Bracket	135212
13. Lamp	56763	44. Spring, Ratchet Wheel, Override (2)	128647
14. Light Socket and Wire Assembly Plug, 3	110454	45. Armature and Eyelet Assembly	133411
Pin (3)	130253	46. Magnet and Bracket Assembly	133410
15. Light Bracket, Record Playing	132000	47. Spring, Lever and Link	128649
16. Spacer, Record Playing (2) Lockwasher (2)	134883	48. Lever Assembly, Override	133469
17. Window Plate and Rivet Assembly	134882	49. Spring, Lever Return	133431
18. Magnet and Frame Assembly	73604-7	50. Ratchet Wheel and Hub Assembly	128363
19. Mounting Bracket, Window Plate	134592	51. Guide, Ratchet Lever, Override Spacer, Override Guide (2)	128367
20. Mounting Plate and Spacer Assembly	117987	52. Switch and Bracket Assembly, Override	135185
21. Motor and Gear Assembly Plug, 2	134546	Switch	133472
Pin (2)	134003	Mounting Bracket, Switch	129370
22. Mounting Bracket and Roller Assembly	133487	Retainer Plate	64991
23. Retaining Ring	129377	53. Mounting Plate and Stud Assembly, Override	63014
24. Pivot Shaft	132000	54. Lamp	133474
25. Bracket, Playmeter Reset	133467	55. Light Socket	135165
26. Playmeter Reset Arm Assembly	73724-9	56. Mounting Bracket and Pin Assembly	122358
27. Reset Lever	135154	57. Switch, Magazine Lock Tapping Plate, Pivot Casting	132725
28. Mounting Bracket, Reset Lever	135150	58. Locking Arm and Link Assembly	128344
29. Retaining Ring	135160	Stop Nut, 8-32	128283
30. Shaft, Reset Lever	133097	Stop Nut, 4-40	133991
31. Contact Board and Wire Assembly	133377	Shoulder Screw, Magazine Lock	74988-12
32. Cancel Solenoid Assembly Internal Hair Pin (2)	73724-12	Spacer, Magazine Lock (2)	74988-7
Cup Washer (2)	133379	Spring, Magazine Lock	129819
Spring (2)	133988	59. Solenoid, Magazine Lock	129818
Plunger (2)	133476		128748
	74402-1		123343
	64766		
	64780		
	133374		



RECORD MAGAZINE ASSEMBLY

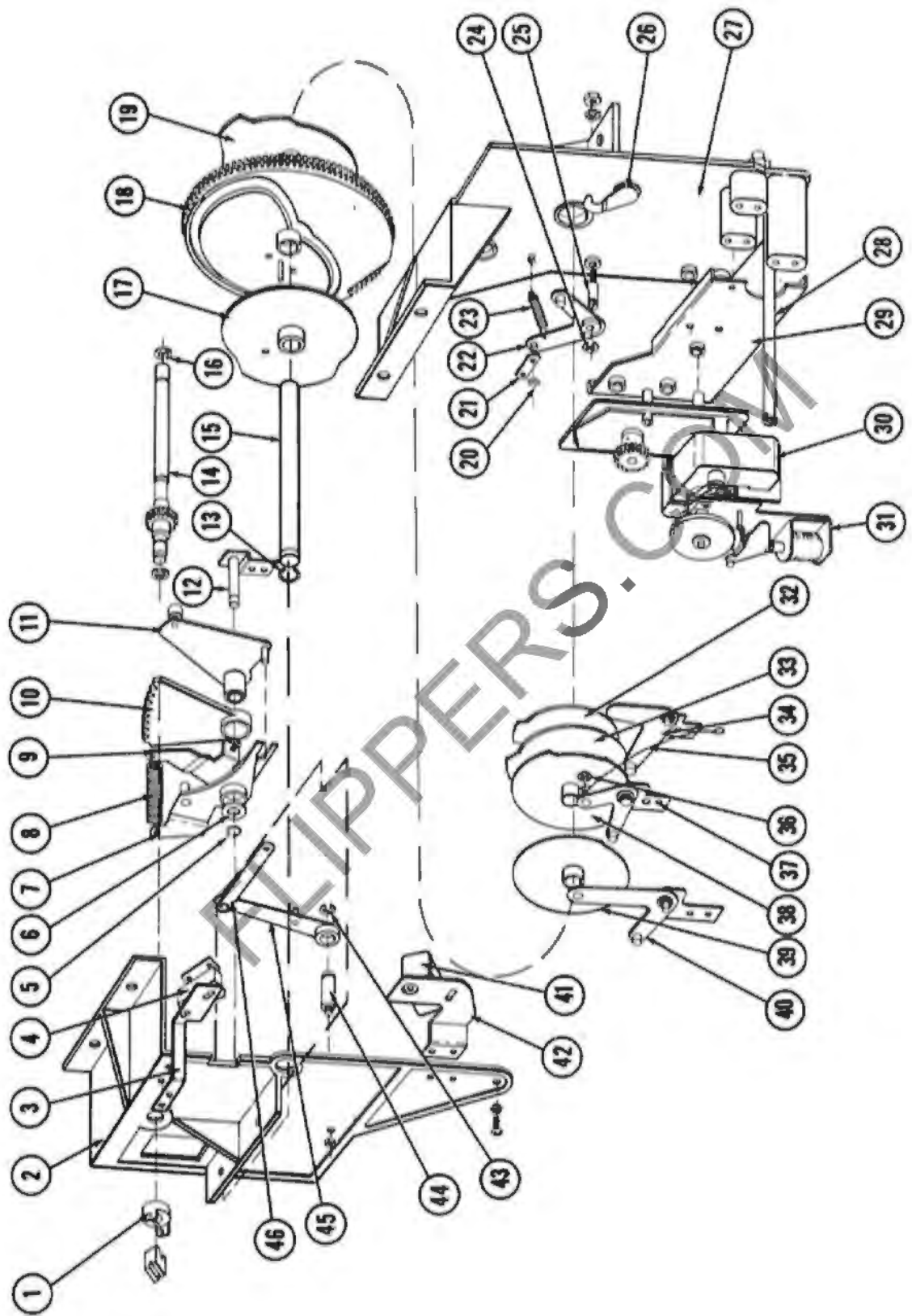
1. Label, Record Playing	3400	3410	134874	7. Filler, Record			
Label, Record Playing		3460	134875	Filler, Record Magazine	3400	3460	134806
2. Label, Record Magazine, Loading	3400	3410	134714	Support Bracket, Filler (2)	3460		134894
Label, Record Magazine, Loading		3460	134873	Mounting Bracket and Label Assembly			135258
3. Record Separator Assembly			132971	Filler, Record Magazine (2)	3410		134895
4. Casting, Record Holder			133500	Support Bracket, Filler (2)	3410		134896
5. Plate, Record Magazine			133534	Mounting Bracket and Label Assembly (A & B)			135256
6. Gear, Record Magazine			133533	Mounting Bracket and Label Assembly (F & G)			135257
				8. Record Separator (2)			132972





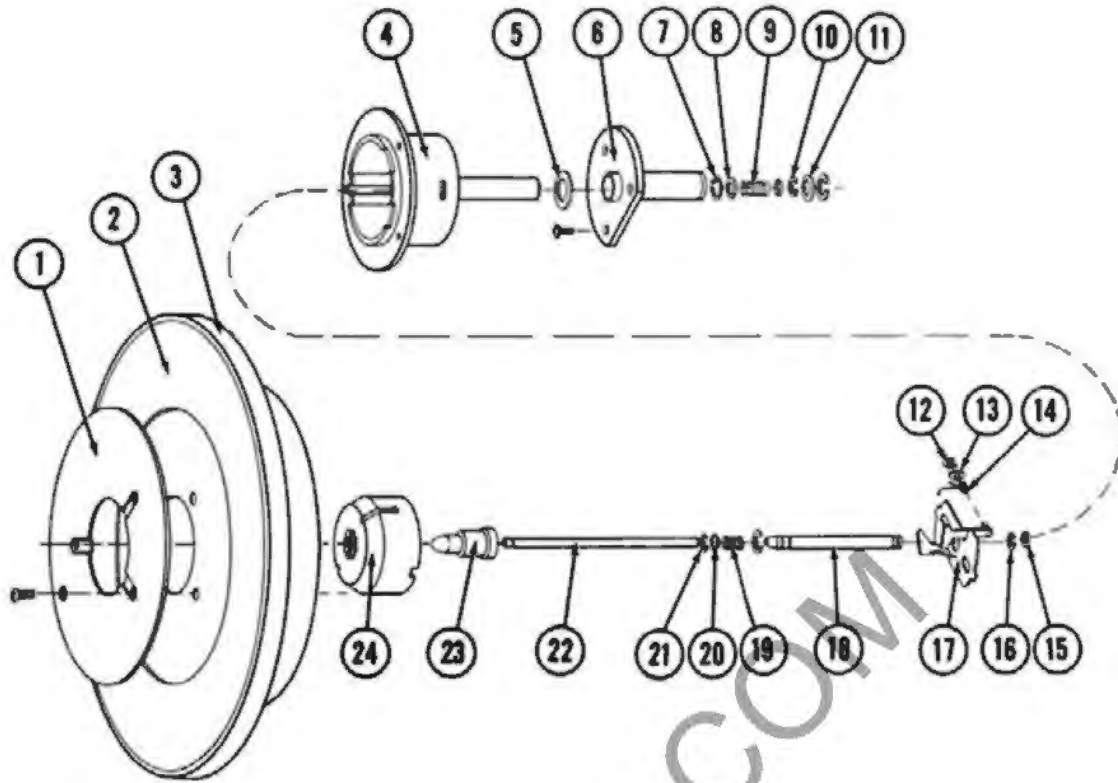
## RECORD TAKEOUT ARM

1. Retaining Ring (4)	73724-12	21. Retaining Ring	73724-31
2. Roller Assembly, Record Arm (2)	133468	22. Washer	65778
Shaft, Record Arm Roller (2)	133378	23. Spring Washer	73632-109
3. Record Arm Assembly	133547	24. Pivot Casting and Shaft Assembly	132675
4. Bevel Gear, Record Arm	128092	25. Gear and Plate Assembly	128587
5. Washer	128093	26. Retaining Ring	73727-50
6. Spring Washer	73632-36	27. Washer, Pivot Casting	128101
7. Retaining Ring	73727-56	28. Bail and Bushing Assembly	128589
8. Sleeve, Pivot Casting	132671	29. Holdout Cam	135179
9. Gear and Plate Assembly	128585	30. Washer	128164
10. Retaining Ring	73727-50	31. Pivot Casting and Bushing Assembly	133956
11. Washer, Pivot Casting	128101	32. Switch and Bracket Assembly, Side 2	133976
12. Bail and Bushing Assembly	128590	Switch	128344
13. Spring, Record Arm	128533	Mounting Bracket, Side 2	
14. Washer	128217	Switch	133332
15. Retaining Ring (4)	73724-12	33. Mounting Plate and Pin Assembly	133372
16. Pin Coupling (2)	135155	34. Spring, Record Clamp	128520
17. Coupling, Connector	135176	35. Record Clamp and Pin Assembly	133434
18. Coupling	128170	36. Retaining Ring	73724-60
Roll Pin	73782-35		
19. Pivot Casting and Bushing Assembly	133565		
20. Connecting Rod, Bail	128107		



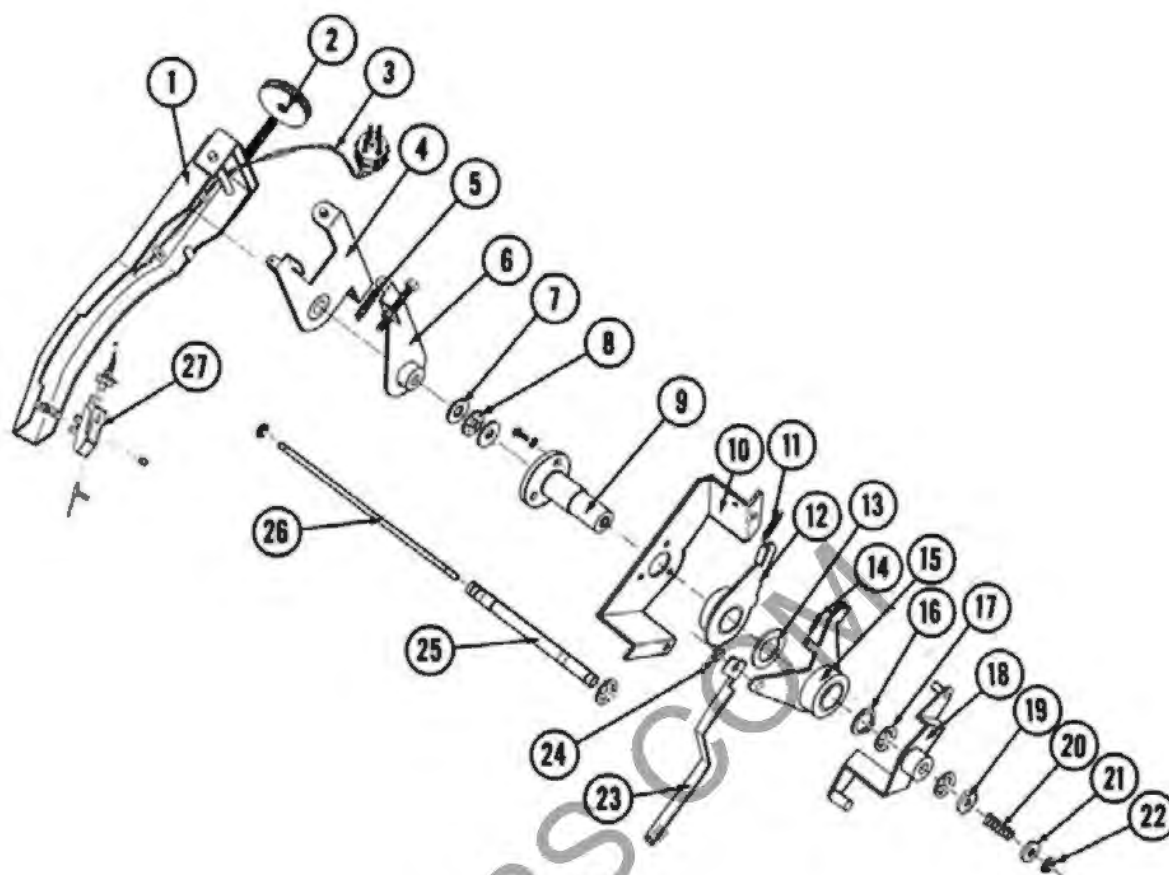
## CAM AND GEAR ASSEMBLY ILLUSTRATED PARTS LIST

1. Coupling	128169	31. Motor Brake Assembly	133485
2. Casting, Gear Housing	132845	Mounting Plate and Pin Assembly	133484
3. Mounting Bracket, Transfer Switch	128724	Screw, 6-32 x 3/16 Rd. Sem (2)	73533-21
4. Switch Transfer	128344	Lever and Pad Assembly	133429
Tapping Plate	128283	Spring, Motor Brake	133428
5. Retaining Ring	73727-25	Locknut #4-40	74988-7
6. Washer	133145	Washer	53519
7. Actuating Arm and Hub Assembly	133121	Roll Pin	73782-2
8. Spring - Record Takeout Segment		Solenoid, Cancel	135196
Gear	133096	Screw, 6-32 x 3/16 Rd. Sem (2)	73533-21
9. Actuating Arm and Hub Assembly	133115	Washer (2)	42120
10. Segment Gear - Record Transfer	133144	32. Cam, Record Clamp	128152
11. Roller Bracket Assembly	132869	(Part of Cam Assembly, 128159)	
12. Mounting Plate and Shaft		Roll Pin	73782-36
Assembly, Record Transfer	135156	33. Cam, Turntable Reset	128153
13. Retaining Ring	73728-37	(Part of Cam Assembly, 128159)	
14. Shaft and Gear Assembly -		Roll Pin	73782-36
Record Transfer	128118	34. Pivot Plate and Lever Assembly	133719
15. Shaft - Cams	128131	Lever and Bushing Assembly	132903
16. Retaining Ring (2)	73728-37	Retaining Ring	73724-25
17. Cam - Record Release	128154	Pivot Plate and Stud Assembly	133794
(Part of Cam Assembly, 128159)		Screw, 8-32 x 3/8 Rd. Sem (2)	73533-36
Roll Pin	73782-36	35. Cable Assembly, Turntable	
18. Track Cam and Pin Assembly	129332	Drive Pulley	128500
(Part of Cam Assembly, 128159)		36. Retaining Ring (2)	73724-18
Roll Pin	73782-36	37. Pivot Plate and Lever Assembly	133720
19. Cam - Tone Arm Swing	128157	Lever and Bushing Assembly	132905
(Part of Cam Assembly, 128159)		Retaining Ring	73724-25
Roll Pin	73782-33	Pivot Plate and Stud Assembly	128240
20. Retaining Ring (2)	73724-18	Screw, 8-32 x 3/8 Rd. Sem (2)	73533-36
21. Link, Record Clamp	128275	38. Cam, Tone Arm Lift	128155
22. Lever and Bushing Assembly -		(Part of Cam Assembly, 128159)	
Record Clamp	132901	Roll Pin	73782-36
23. Spring	59606	39. Cam, Turntable Drive	128156
24. Retaining Ring	73724-25	(Part of Cam Assembly, 128159)	
25. Stud Pivot	128129	Roll Pin	73782-36
Lockwasher #8	73604-6	40. Pivot Plate and Lever Assembly	133721
26. Adjustment Lever and Lever,		Lever and Bushing Assembly	132907
Pin Assembly	128160	Retaining Ring	73724-25
Roll Pin	73782-32	Pivot Plate and Stud Assembly	128241
27. Casting - Gear Housing	132646	Screw, 8-32 x 3/8 Rd. Sem (2)	73533-36
Shoulder Screw (2)	128182	41. Micro Switch, Cancel	128418
Stop Nut, 8-32 (2)	74988-12	42. Mounting Bracket and Plate	
28. Shaft - Housing	128151	Assembly	128661
Screw, 8-32 x 1/2 Rd. Sem (2)	73533-38	43. Retaining Ring	73728-25
29. Mounting Bracket and Spacer		44. Stud, Pivot - Record Release	128180
Assembly - Drive Motor	128251	45. Lever and Bushing Assembly	132911
30. Motor and Gear Assembly	133526	46. Link, Record Release	128141
Gear, Motor	135259	Retaining Ring	73724-18
Roll Pin	73782-32		



TURNTABLE ASSEMBLY ILLUSTRATED PARTS LIST

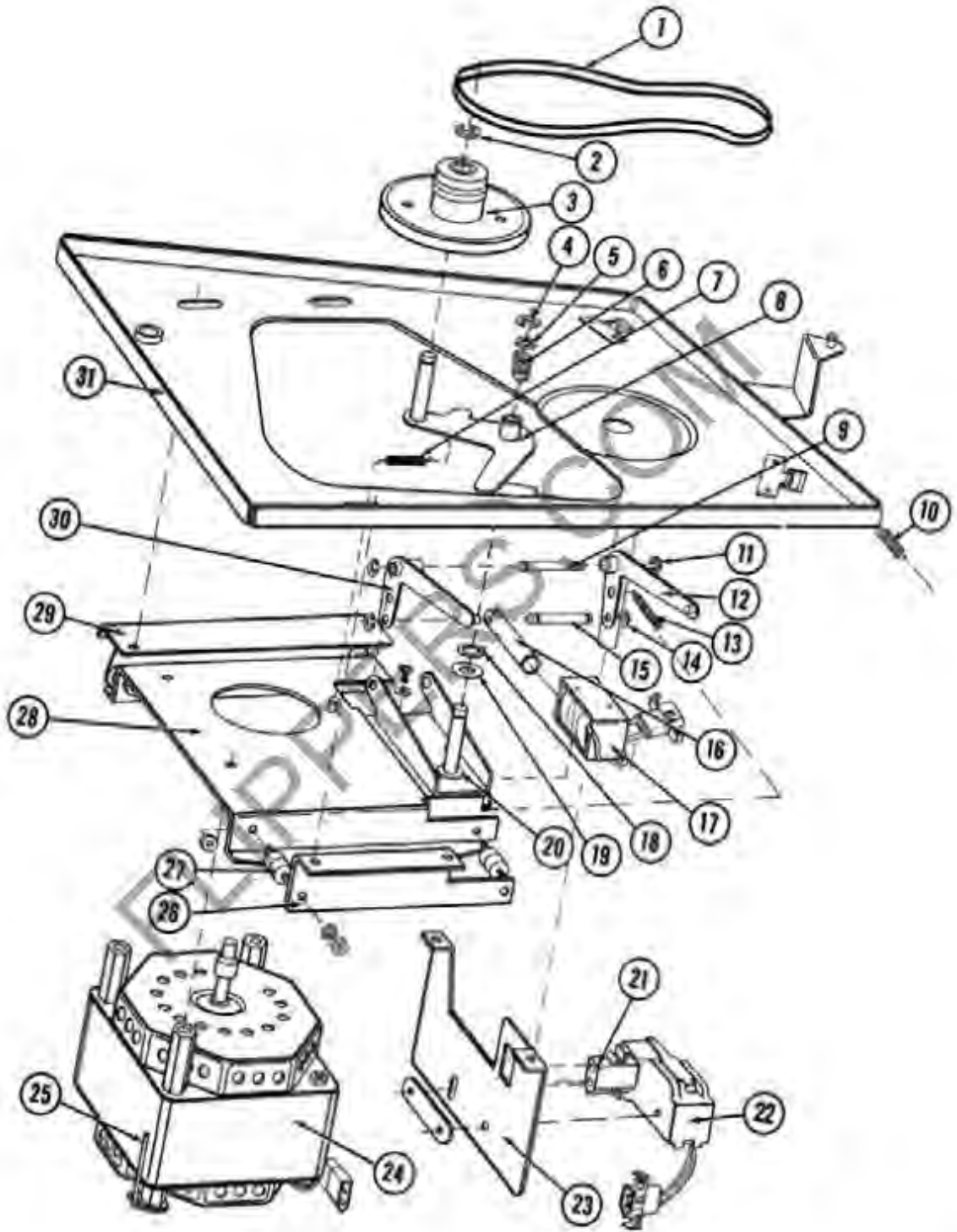
1. Ring, Turntable	128022	11. Washer	128004
Screw, 6-32 x 3/8 Truss (3)	76719-68	12. Retaining Ring (2)	73724-12
Lockwasher (3)	73604-5	13. Washer (2)	50494
2. Turntable	128038	14. Spring, Pilot Lever (2)	128009
3. Pad	128042	15. Washer, Felt	124520
4. Pilot Guide and Shaft		16. Retaining Ring (2)	73724-25
Assembly, Turntable	128041	17. Mounting Plate Assembly,	
5. Bushing	128179	Clamp Levers	128052
6. Support Casting and Bushing		18. Tube, Pilot	128021
Assembly, Turntable	128023	19. Spring, Cam	128008
Screw, 8-32 x 1/4 Pan.		20. Cup Washer	128030
Sem. (3)	74416-34	21. Retaining Ring	73724-12
7. Retaining Ring	73727-43	22. Shaft, Cam	128014
8. Cup Washer (2)	124530	23. Cam, Clamp Lever	135048
9. Spring, Pilot	128007	24. Pilot, Turntable	132608
10. Retaining Ring (2)	73724-25		



## TONE ARM ASSEMBLY ILLUSTRATED PARTS LIST

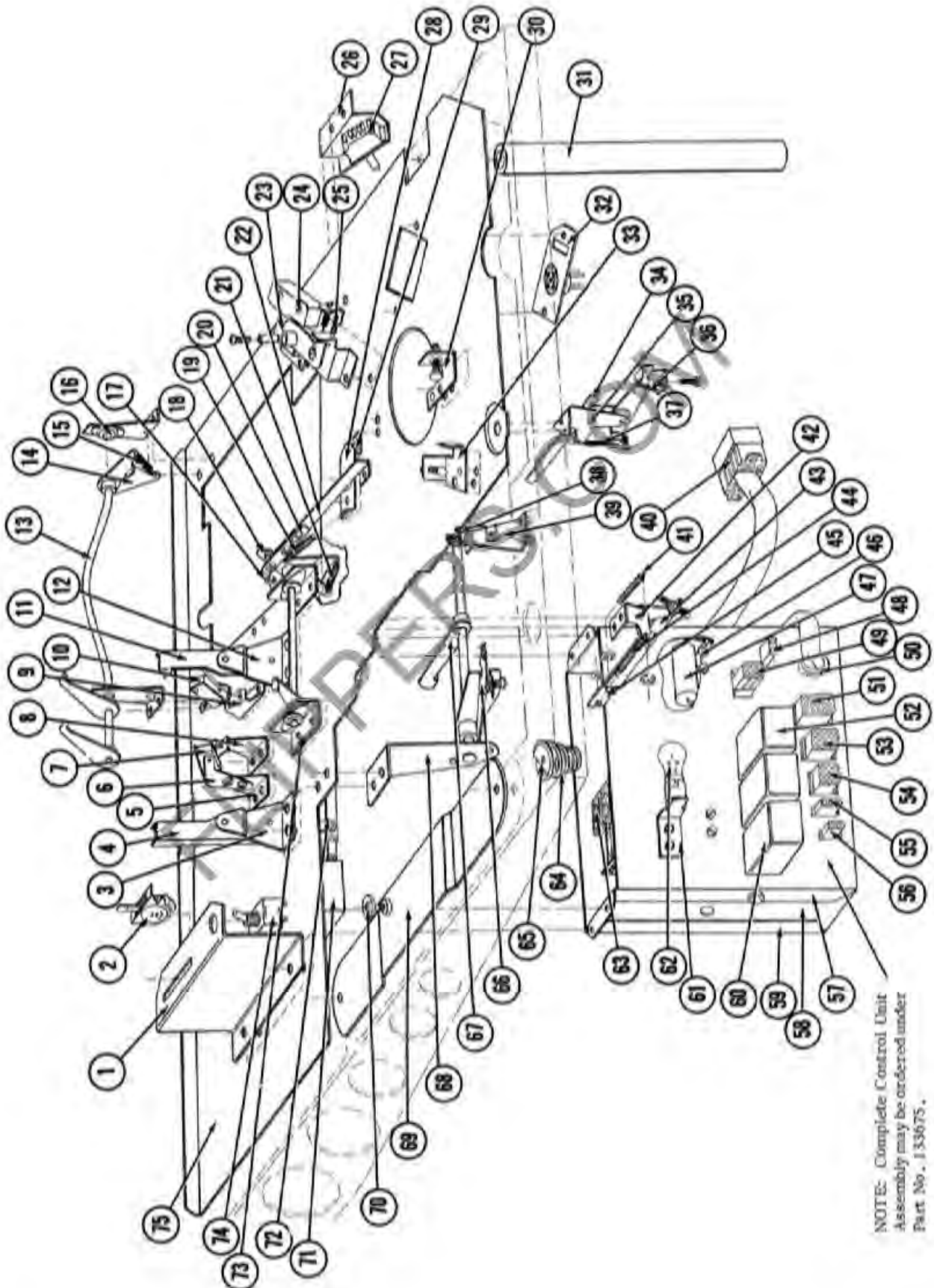
1. Tone Arm and Pivot Rod Assembly	132850	11. Spring (4 1/2 oz. at 1 15/32")	59894
Tone Arm	132846	12. Adjustment Lever and Bushing Assembly	133128
Balance Bracket and Weld Screw Assembly	133544	Washer	59864
Pivot Rod, Tone Arm	128059	14. Spring (1 lb. 12 oz. at 15/16")	59615
2. Weight and Stop Nut Assembly	128596	15. Lever and Bushing Assembly	133074
3. Wire and Plug Assembly	133496	16. Retaining Ring	73727-50
Plug, 4 Prong	69089	17. Retaining Ring (3)	73727-25
Clip (5)	73655-6	18. Pivot Arm and Pin Assembly	133985
4. Mounting Bracket and Stop Nut Assembly	128503	19. Cup Washer	124530
Pivot Screw, Tone Arm	59394	20. Spring	128008
5. Spring (1 lb. 12 oz. at 15/16")	59615	21. Cup Washer	128030
6. Adjusting Bracket and Stop Nut Assembly	132849	22. Retaining Ring	73724-12
7. Washer (2)	128072	23. Link, Tone Arm Feed In	132927
8. Ball Race, Tone Arm Shaft	128491	24. Retaining Ring (2)	73724-18
9. Support Casting and Bushing Assembly	128069	25. Tube, Tone Arm	133459
10. Mounting Bracket, Tone Arm	132928.	26. Shaft	128080
		27. Cartridge	133352
		Needle, Double Tip Diamond	135116





## TURNTABLE AND MOUNTING PLATE ASSEMBLY ILLUSTRATED PARTS LIST

1. "O" Ring	128579	23. Mounting Plate, Speed Change	128026
2. Retaining Ring	73724-25	Screw, 8-32 x 1/4 Rd. Sem. (2)	73533-24
3. Drive Wheel Assembly	128032	24. Motor and Sleeve Assembly	129391
4. Retaining Ring	73724-25	Screw, 6-32 x 5/16 Rd. Sem. (3)	73533-23
5. Cup Washer	124530	Plug - 2	129377
6. Spring, Shift, Turntable Drive	128534	Pin (2)	132000
7. Spring, Drive Wheel Arm (6 1/2 oz. at 1 1/8")	133543	25. Oil Tube	128727
8. Arm, Hub and Link Assembly	128537	Screw, 6-32 x 5/16 Rd. Sem.	73533-23
9. Shaft, Pivot, Bell Crank	124519	Washer	42120
10. Spring, Turntable Return (6 1/2 oz. at 1 1/8")	133543	Cable Clamp	73804-2
11. Retaining Ring (2)	73724-18	26. Mounting Bracket, Turntable Plate	133460
12. Bell Crank and Hub Assembly, L. H.	128046	Screw, 8-32 x 5/16 Rd. Sem.	73533-35
13. Spring, Solenoid Assist (8-10 oz. at 2 5/16")	124487	Spacer	134864
14. Retaining Ring (2)	73724-15	Lockwasher	73604-6
15. Shaft, Solenoid, Bell Crank	124518	Washer (2)	54024
16. Plunger, Solenoid	121095A	27. Rubber Mount (4)	60882
17. Solenoid and Plug Assembly	129423	Nut (8)	73601-7
Screw, 6/32 x 5/16 Rd. Sem. (2)	73533-25	Lockwasher (8)	73604-6
Washer (2)	42120	28. Motor Mounting and Pivot Bracket Assembly	128054
Solenoid	121095	29. Mounting Bracket, Turntable Plate	133642
Plug - 3	130253	Screw, 8-32 x 5/16 Rd. Sem.	73533-25
Pin (2)	132000	Spacer	134864
18. Retaining Ring	73727-50	Lockwasher	73604-6
19. Washer	124521	Washer (2)	54024
20. Washer, Felt	124520	30. Bell Crank and Hub Assembly, R. H.	128045
21. Receptacle - 3	130524	31. Mounting Plate and Roller Assembly	128173
22. Micro Switch	60655		
Screw, 6-32 x 1 Rd. Sem. (2)	73533-30		
Tapping Plate	128025		
Plug - 3	130253		
Pin (2)	132000		



NOTE: Complete Control Unit  
Assembly may be ordered under  
Part No. 133675.

## RECORD CHANGER ILLUSTRATED PARTS LIST, R. H.

1. Mounting Bracket and Silk Screen Assembly	134872	37. Spring	115821
2. Scan Switch	129432	38. Record Arm Rest and Nut Assembly	132862
3. Pivot Bracket and Stop Nut Assembly	128611	39. Brush Holder and Brush Assembly	133982
4. Stop and Bearing Assembly, L. H.	128609	Brush Holder	135280
Spring Washer	73632-4	Brush	135180
Washer	54024	40. Plug, 15 Molex	131887
Retaining Ring	73724-18	Pin (11)	132000
Retaining Ring	73724-15	41. Spring (3 lbs. at 2 1/4")	119426
5. Mounting Bracket, Safety Switch	133494	42. Mounting Bracket and Pivot-Lever Assembly	113944
6. Mounting Plate, Safety Switch	133902	43. Link and Spring Pin Assembly, Front	135190
7. Switch, Safety	133928	44. Spring (4 1/2 oz. at 1 15/32")	59894
8. Stop Bracket and Nut Assembly, Record Arm	133078	45. Link and Spring Assembly, Rear	135193
9. Bracket, Side 1 Switch	133437	46. Resistor, 27 ohm, 10%, 1/2 W.	72154-32
10. Switch and Bracket Assembly, Side 1	133975	47. Capacitor, 47 Mfd., 400 V	71549-14
Switch, Side 1	128344	48. Receptacle, 2	129382
Adjusting Bracket	133881	49. Receptacle, 6	131171
11. Stop and Bearing Assembly, R. H.	128610	50. Strain Relief	71878-14
Spring Washer	73632-4	51. Receptacle, 15	131888
Washer	54024	52. Relay, Red	122366
Retaining Ring	73724-18	Socket	122131
Retaining Ring	73724-15	Retainer, Socket	122132
12. Pivot Bracket and Stop Nut Assembly	128611	53. Receptacle, 12	131175
13. Lever and Shaft Assembly, Record Clamp	133493	54. Receptacle, 9	131173
14. Pull Lever and Bushing Assembly	132668	55. Receptacle, 3	130254
15. Spring	133869	56. Receptacle, 2	129382
16. Bearing Bracket and Bushing Assembly	128194	57. Chassis Pan and Silk Screen Assembly	134008
17. Retaining Ring	73724-18	58. Side, Control Unit	133508
18. Shaft and Lever Assembly	128204	59. Cover, Control Unit	133480
19. Spring, Tone Arm Release Lever (4 5/16 oz. at 2 5/16")	65096	60. Relay, White (2)	122133
20. Link, Turntable Shift	128273	Socket	122131
21. Spring	65958	Retainer, Socket	122132
22. Link, Turntable Shift	128274	61. Lamp Socket	122358
Retaining Ring	73724-18	62. Lamp #305	135165
23. Mounting Bracket Assembly, Trip Switch	133492	63. Relay	135242
24. Trip Switch and Plug Assembly	133974	64. Spring (4)	61059
Switch, Trip	121929	65. Retainer, Chassis Spring (4)	134735
Plug, 3	130253	66. Lever and Hub Assembly, Turntable Reset	128229
25. Spring	134759	67. Shaft and Lever Assembly, Turntable Reset	133941
26. Mounting Bracket, Mute/Play Switch	134142	68. Mounting Bracket and Bushing Assembly (2)	128226
27. Mute/Play Switch	131331	69. Adjustment Plate and Pivot Assembly, Turntable	133971
28. Roller Bracket and Stud Assembly	128245	70. Ball Race	59679
29. Roller, Turntable Drive	128248	71. Solenoid and Plug Assembly	128627
Retaining Ring	73724-18	Plug, 2	129377
30. Bracket and Stop Nut Assembly, Tone Arm	132991	Contact, 2	132001
31. Support, Record Changer (For Service Only)	134906	Mounting Bracket and Solenoid	132885
32. Mounting Plate and Socket Assembly	133978	72. Solenoid Plunger Link Assembly	128626
Socket, 4 Min.	69090	Pin	121240
33. Bracket and Stop Nut Assembly, Turntable Stop	133973	Washer	487
34. Link, Tone Arm Lift	133395	Cotter Pin	23355
Retaining Ring (2)	73724-18	Link	56608
35. Lift Lever Assembly, Tone Arm Lift	133137	Link and Pin Assembly	128615
36. Spring	59612	Retaining Ring	73724-15
		Link and Pin Assembly	128614
		Washer (2)	487
		73. Pivot Bracket and Bushing Assembly	128208
		74. Service Switch	121301
		Lockwasher	73607-13
		Insulator	135273
		75. Mounting Plate, Record Changer	133373

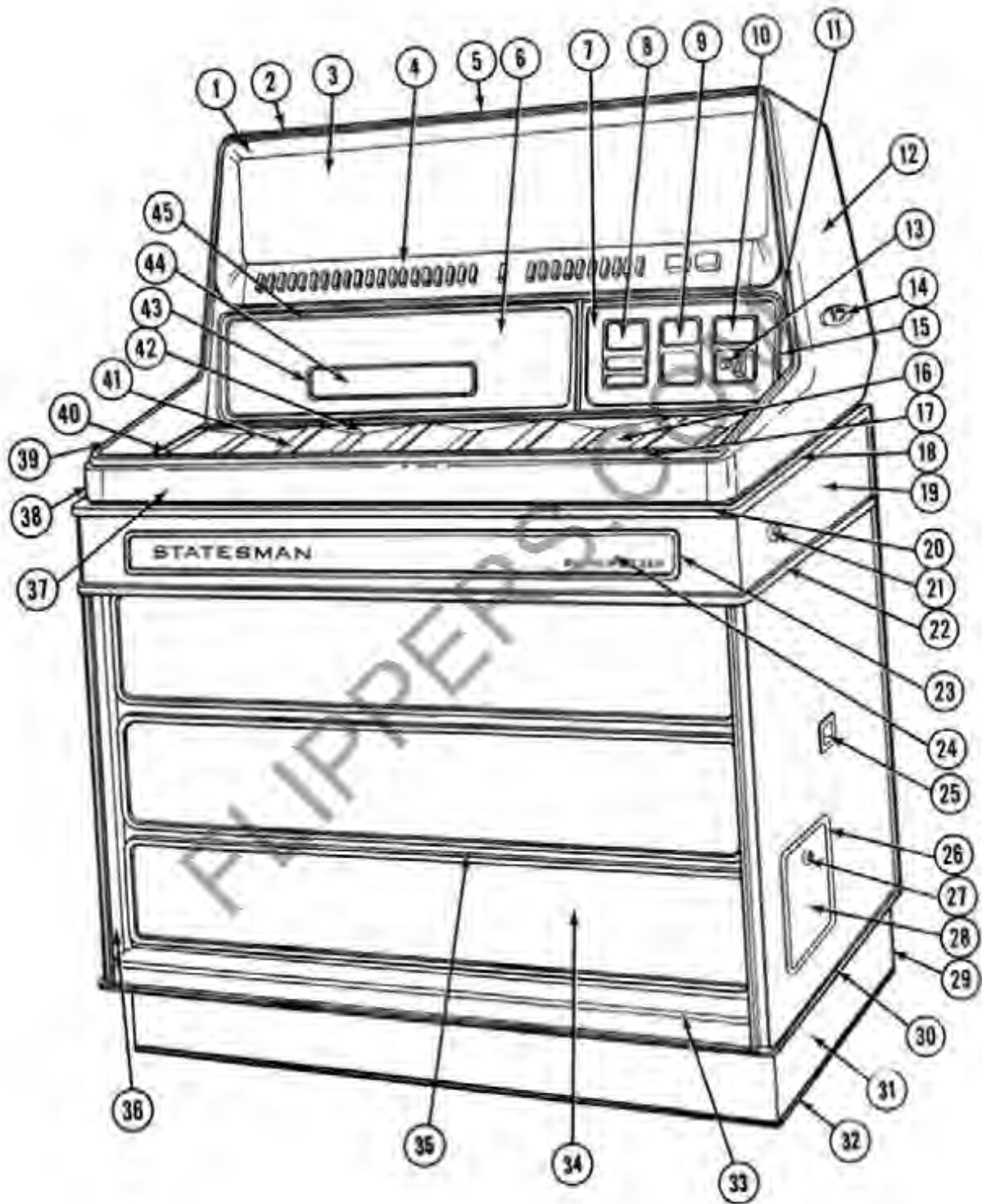
# CABINET



3400 PHONOGRAPH

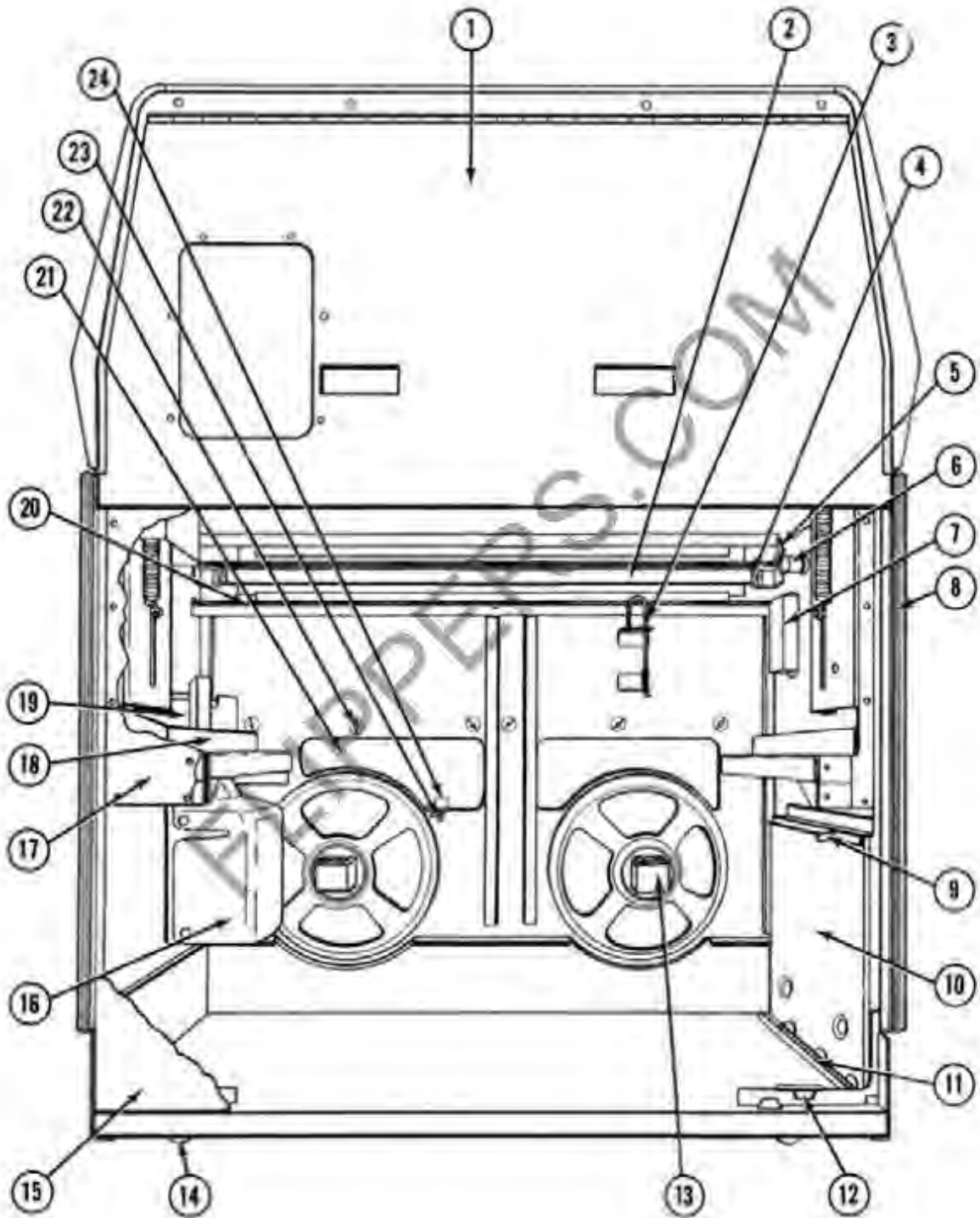


SECTION D



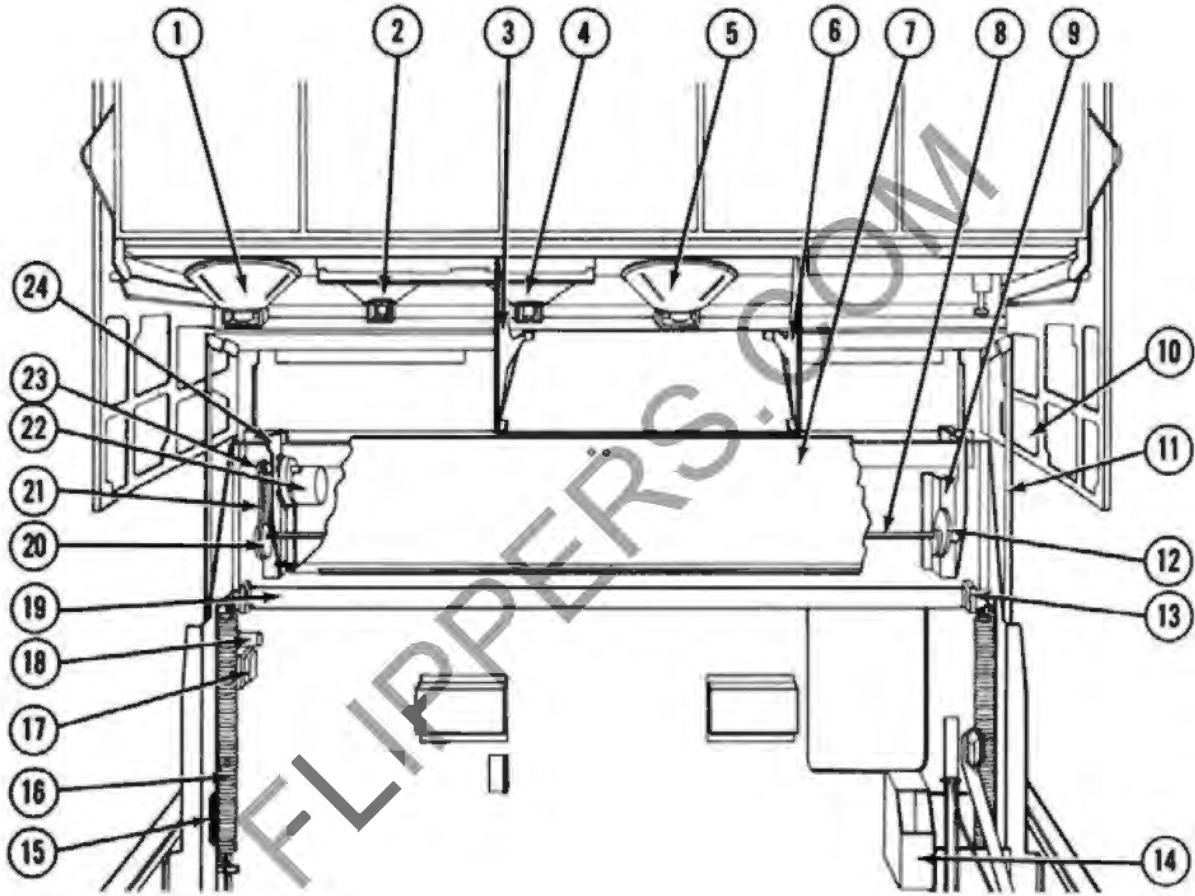
## CABINET - FRONT VIEW - 3400 SERIES

1.	Extrusion, Upper Door, Front	134449	22.	Extrusion, Intermediate, Wrap Around	134275
2.	Inlay, Top	134446	23.	Extrusion, Frame	134278
	Top Plate, Steel	134442		Glass Clamp, Top and Bottom	134286
	Extrusion, Top Rear	134456		Glass Clamp, Ends	134285
3.	Glass, Display, 34-7/16" x 7-1/8"	134608	24.	Glass, Statesman by Wurlitzer	134393
	Tape, 9/16"	121999	25.	Coin Return Cup	68192
	Glass Clamp, L.H. Side	134465	26.	Frame, Cash Box Door	134677
	Glass Clamp, R.H. Side	134464	27.	Lock and Key Assembly	118412
	Glass Clamp, Lower	134500	28.	Cash Box Door	134668
	Display Sign, Mountain Scene	134704		Guard	113270
	Mounting Panel, Front, Display Sign	134479		Coin Bag	132148
	Mounting Panel, Rear, Display Sign	134478	29.	Retainer, Vinyl Overlay, R.H.	134385
4.	Extrusion, Selector Panel	3400 134580		Retainer, Vinyl Overlay, L.H.	134384
	Extrusion, Selector Panel	3460 134583	30.	Extrusion, Bottom	134241
	Extrusion, Selector Panel	3410 134582	31.	Vinyl Overlay	134387
5.	Inlay, Service Card Holder	134455	32.	Moulding, Base	134388
	Window, Service Card	134807	33.	Extrusion, Lower Grille	134248
6.	Grille Screen	134416		Special Stud	132119
7.	Instruction Casting	134289	34.	Grille Screen (3)	135058
8.	Instruction and Select Label, L.P.	134657		Polyurethane Backing, Upper	135098
	Coin Denomination and Select Label	134661		Polyurethane Backing, Center	135097
	Instruction Label, Top Tunes	135163		Polyurethane Backing, Lower	135096
	Instruction Label, Top Tunes and L.P.	134922	35.	Extrusion, Grille Frame (3)	135051
	Window Blank (2)	132106		Special Stud	132119
	Window Clamp Frame	134493		Palnut	76720-1
	Light Box and Partition	134498	36.	Extrusion, Inner Grille, L.H.	134234
	Light Socket (3)	134792		Extrusion, Inner Grille, R.H.	134233
	Lamp, G.E. 12 (3)	11816	37.	Inlay, Door, Front	134445
9.	Coin Denomination and Dancers Label	134658	38.	Inlay, L.H.	134401
	Coin Denomination Label, L.P.	134829	39.	Casting, Upper Door L.H.	134292
	Escutcheon Label, Dancers	134660	40.	Separator, L.H., A1-C0	3400 134488
	Window Blank (2)	132106		Separator, L.H., A1-B8	3460 134570
	Window Clamp Frame	134493		Separator, L.H., A1-A0	3410 134490
	Window Clamp (2)	134492		Separator, R.H., T1-V0	3400 134487
10.	Coin Entry Instruction Label	134659		Separator, R.H., U1-V8	3460 134575
	Window Blank (2)	132091		Separator, R.H., K1-K0	3410 134489
	Window Clamp Frame	134493	41.	Separator, B1-G0	3400 128891
11.	Casting, Upper Door, R.H.	134291		Separator, C1-F8	3460 134571
12.	Inlay, R.H.	134400		Separator, B1-C0	3410 131458
13.	Reject Button	132204		Separator, F1-L0	3400 128892
	Retaining Ring	73724-31		Separator, G1-K8	3460 134572
	Rubber Washer	132560		Separator, D1-E0	3410 131459
	Washer	65778		Separator, K1-Q0	3400 128893
14.	Medallion	131808		Separator, L1-P8	3460 134573
	Speed Nut	73834-3		Separator, F1-G0	3410 131460
15.	Tape, Inlay, Adhesive (2)	134823		Separator, P1-U0	3400 128894
16.	Glass, Door, 38" x 12"	134607		Separator, Q1-T8	3460 134574
	Tape, 9/16"	121999		Separator, H1-J0	3410 131461
17.	Extrusion, Door	134450	42.	Extrusion, Center, Door	134451
18.	Extrusion and Guard, R.H.	134868		Retainer, Program Separator	132162
	Extrusion and Guard, L.H.	134869	43.	Extrusion, Personalization Frame	134514
19.	Collar, Vinyl Clad	134304	44.	Window, Personalization	134523
20.	Extrusion, Top, Wrap Around	134251		Display Sign, "Music for Millions"	134768
	Extrusion, Top, Front	134267		Color Shield	134524
21.	Lock, RW-105	134593		Light Diffuser	134525
	Key, RW-105	134595		Retainer (2)	134517
	Washer	63365	45.	Casting, Speaker Frame	134308
	Pin and Lock Lever	127143			



## CABINET - REAR VIEW

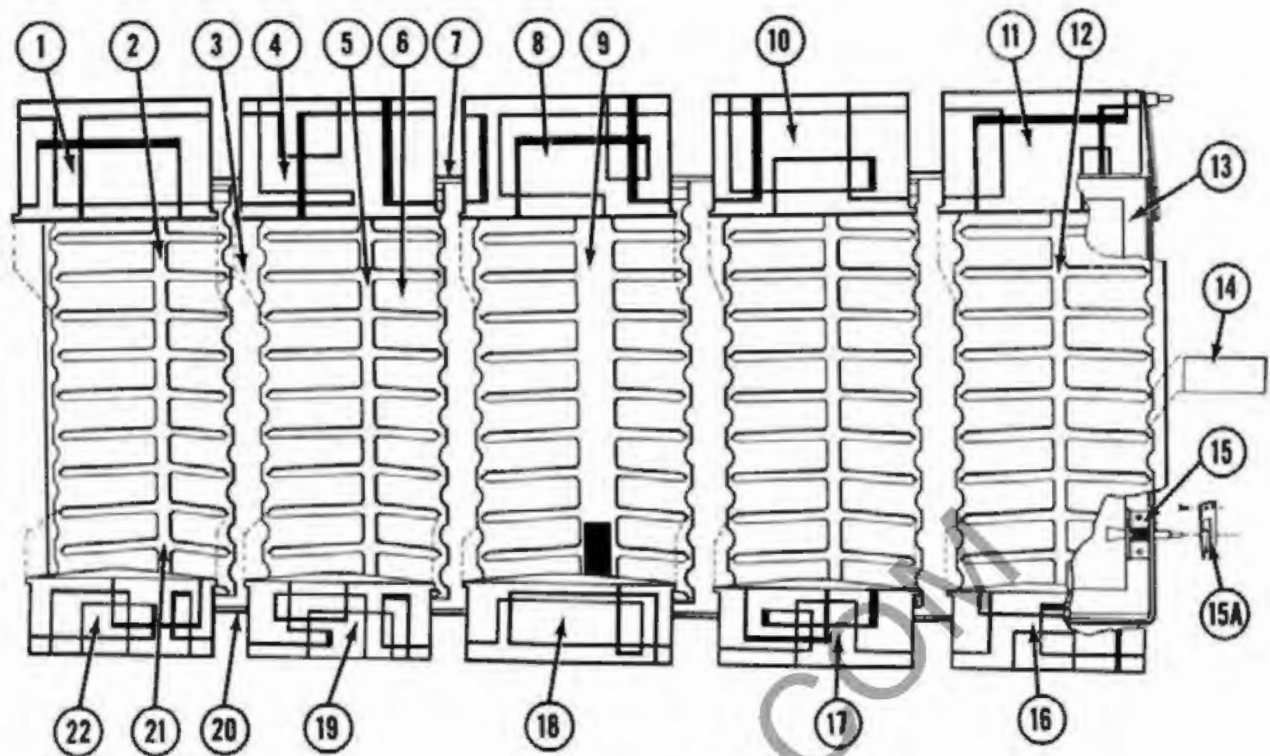
1.	Upper Cross Rail Assembly	134690
	Hinge	134504
2.	Fluorescent Lamp, 30 W., 36", Daylight	128781
3.	Playmeter Reset Assembly	134674
4.	Socket, Lamp	131168
5.	Lock Lever and Shaft Assembly	128920
	Spring	119426
	Bracket and Plate Assembly, L.H.	126356
	Bracket and Plate Assembly, R.H.	126357
6.	Starter, FS-4	113558
	Socket	53674
7.	Ballast, 30 W.	129702
8.	Extrusion, Rub Rail, L.H.	134282
	Extrusion, Rub Rail, R.H.	134281
9.	Stop Lever & Pin Assembly	131405
	Spring	129282
10.	Mounting Plate and Guide Bracket	134299
11.	Support Bracket and Roller	134683
12.	Cable Retainer, L.H.	132010
	Cable Retainer, R.H.	132011
13.	Speaker, 12" (2)	120777
14.	Caster (4)	128780
15.	Door, Lower Back	134656
16.	Coin Bag Housing	134453
	Coin Bag Housing, Short, Export	134454
17.	Back Rail Assembly	134613
	Strike and Lever	131027
	Lock, Back Door, RW-105	134594
	Key, RW-105	134595
	Latch & Pin (2)	134588
18.	Chassis Mounting Rail, R.H.	134413
	Chassis Mounting Rail, L.H.	134414
19.	Coin Return Chute	132392
20.	Light Diffuser, Lower Grille	134383
21.	Mounting Plate and Clip Assembly	135152
22.	Wing Nut, 6-32 (6)	76623-1
	Special Stud (6)	76625-33
23.	Catch, Grille Screen (4)	135149
24.	Clip, Grille Screen (4)	135148
	Rivet	73627-38





## CABINET - FRONT INTERIOR VIEW - 3400 SERIES

1.	Speaker, 6", L.H.	129517
	Capacitor, 4 MFD., 25 V., Non-Polarized	74981
2.	Speaker, 3" x 5", L.H.	131425
	Capacitor, 1 MFD., 100 V.	76884-11
3.	Bracket, Selector Switch, L.H.	134624
4.	Speaker, 3" x 5", R.H.	131425
	Capacitor, 1 MFD., 100 V.	76884-11
5.	Speaker, 6", R.H.	129305
	Capacitor, 4 MFD., 25 V., Non-Polarized	74981
6.	Bracket, Selector Switch, R.H.	134623
7.	Light Diffuser Assembly	134694
	Spring (2)	132509
8.	Shaft	134521
9.	Mounting Bracket	132166
10.	Cable Retainer	135111
11.	Fall Support and Pin (2)	134612
	Guide and Latch Assembly, R.H.	134778
	Guide and Latch Assembly, L.H.	134779
12.	Cam, Light Diffuser	132191
	Roll Pin	73782-31
13.	Socket, Lamp (2)	131168
14.	Box, Coin Register Mechanism	134697
	Grommet (3)	49884
15.	Spring, Fall Support Stop (2)	123520
16.	Spring, Fall Support Return (2)	132213
17.	Ballast, 25 W.	123950
18.	Starter, 25 W., FS-25	57365
	Socket	53674
19.	Fluorescent Lamp, 25 W., 33", Daylight	134444
20.	Cam, Light Diffuser	132191
	Roll Pin	73782-31
21.	"O" Ring	132499
22.	Motor, Light Diffuser	132549
	Mounting Plate	133762
	Rubber Mount (3)	60882
23.	Pulley	132228
	Set Screw	73513-20
24.	Mounting Bracket	132166



PROGRAM HOLDER

1. Insert, Upper	3410	134771	8. Insert, Upper	3410	134773
2. L.P. Program Label	3400-3410	134665	9. Program Holder, Center		134763
3. Extrusion, A1-CO	3400	125451	Red Program Label	3400	134920
Extrusion, B1-GO	3400	125452	L.P. Program Label	3460	134919
Extrusion, F1-LO	3400	125453	10. Insert, Upper	3410	134774
Extrusion, K1-QO	3400	125454	11. Insert, Upper	3410	134775
Extrusion, P1-UO	3400	125455	12. Classification Slip		134664
Extrusion, T1-VO	3400	125456	13. Program Holder Frame Assembly		134758
Extrusion, A1-B8	3460	134596	14. Program Slip Cover, Gold		134925
Extrusion, C1-F8	3460	134597	Program Slip Cover, Red		134924
Extrusion, G1-K8	3460	134598	15. Slide and Catch Assembly		129160
Extrusion, L1-P8	3460	134599	Slide Catch		128849
Extrusion, Q1-T8	3460	134600	Spring		122427
Extrusion, U1-V8	3460	134601	Retaining Ring		73724-15
Extrusion, A1-AO	3410	125457	15A. Lock Catch, Door, R.H.		127152
Extrusion, B1-CO	3410	125458	Lock Catch, Door, L.H.		127153
Extrusion, D1-EO	3410	125459	16. Insert, Lower	3460-3410	134862
Extrusion, F1-GO	3410	125460	17. Insert, Lower	3460-3410	134861
Extrusion, H1-JO	3410	125461	18. Insert, Lower	3460-3410	134860
Extrusion, K1-KO	3410	125462	19. Insert, Lower	3460-3410	134859
4. Insert, Upper	3410	134772	20. Light Shield, Lower	3400	129116
5. Gold Program Label	3400	134921	Light Shield, Lower	3460-3410	129118
6. Program Holder (4)		128804	21. Red and Gold Program Label	3460	134923
7. Light Shield, Upper	3400-3460	134865	22. Insert, Lower	3460-3410	134858
Light Shield, Upper	3410	129119			

15A is Mounted on Door Casting