

Fred

PRICE \$3.00
PART NO. 3295

WURLITZER P H O N O G R A P H



SERVICE MANUAL

Models of the **2900 SERIES**

*Hi-Fidelity
and
Stereophonic*



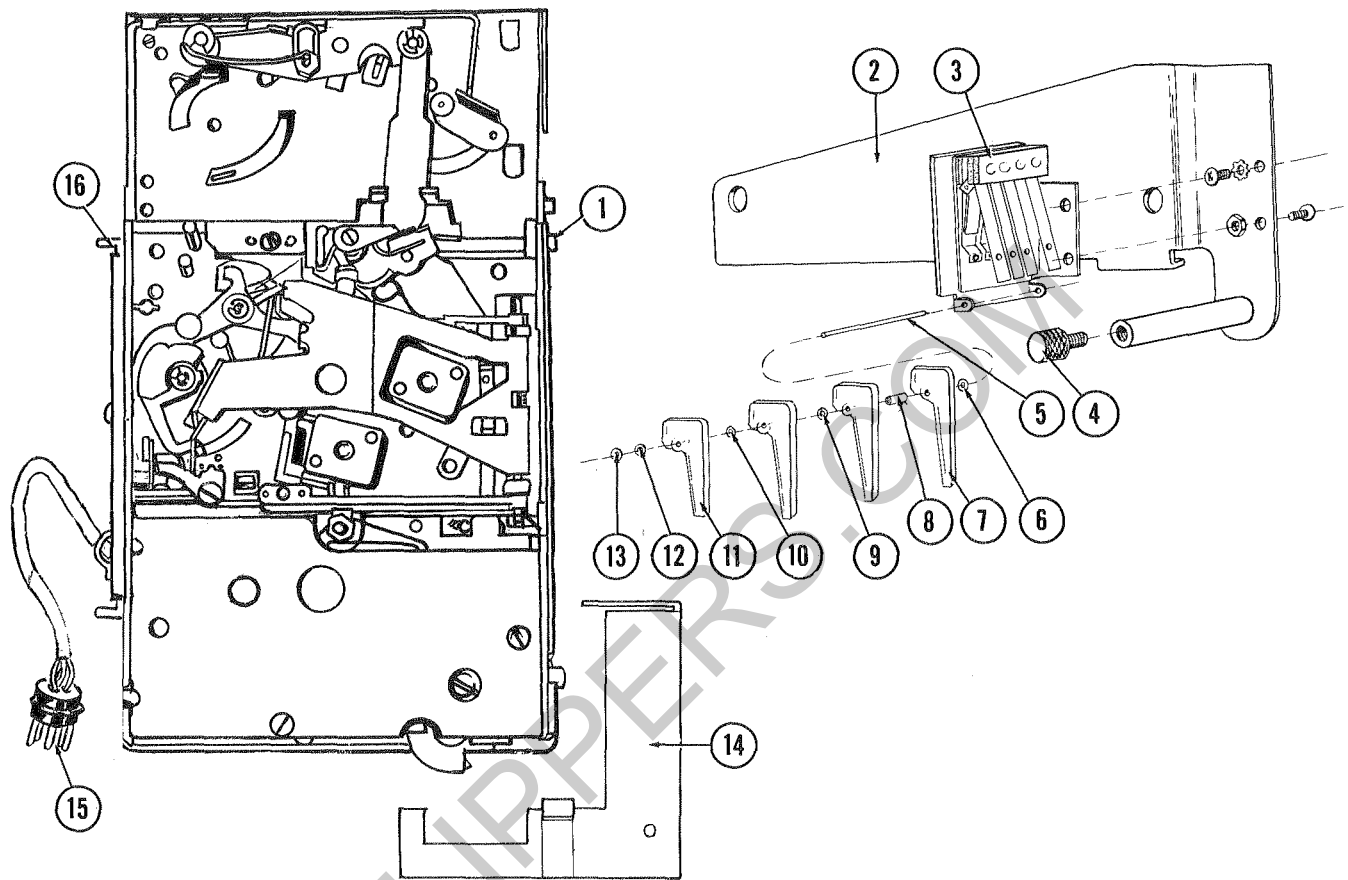


FIG. 89. SLUG REJECTOR ASSEMBLY

1. Slug Rejector, 5, 10, 25 & 50 Cents	69936	9. Copper Washer	119107-F
2. Mounting Bracket & Spacer Assy.	120962	10. Copper Washer	119107-F
3. Coin Switch Assy.	119107	11. Short Paddle	119107-B
4. Thumb Screw	35745	12. Iron Washer	119107-E
5. Shaft	119107-C	13. Iron Washer	119107-E
6. Copper Washer	119107-F	14. Angle & Guard Assy.	122834
7. Long Paddle (3)	119107-A	15. Plug, 5, Miniature	123619
8. Spacer	119107-D	16. Bracket, Pivot	123663

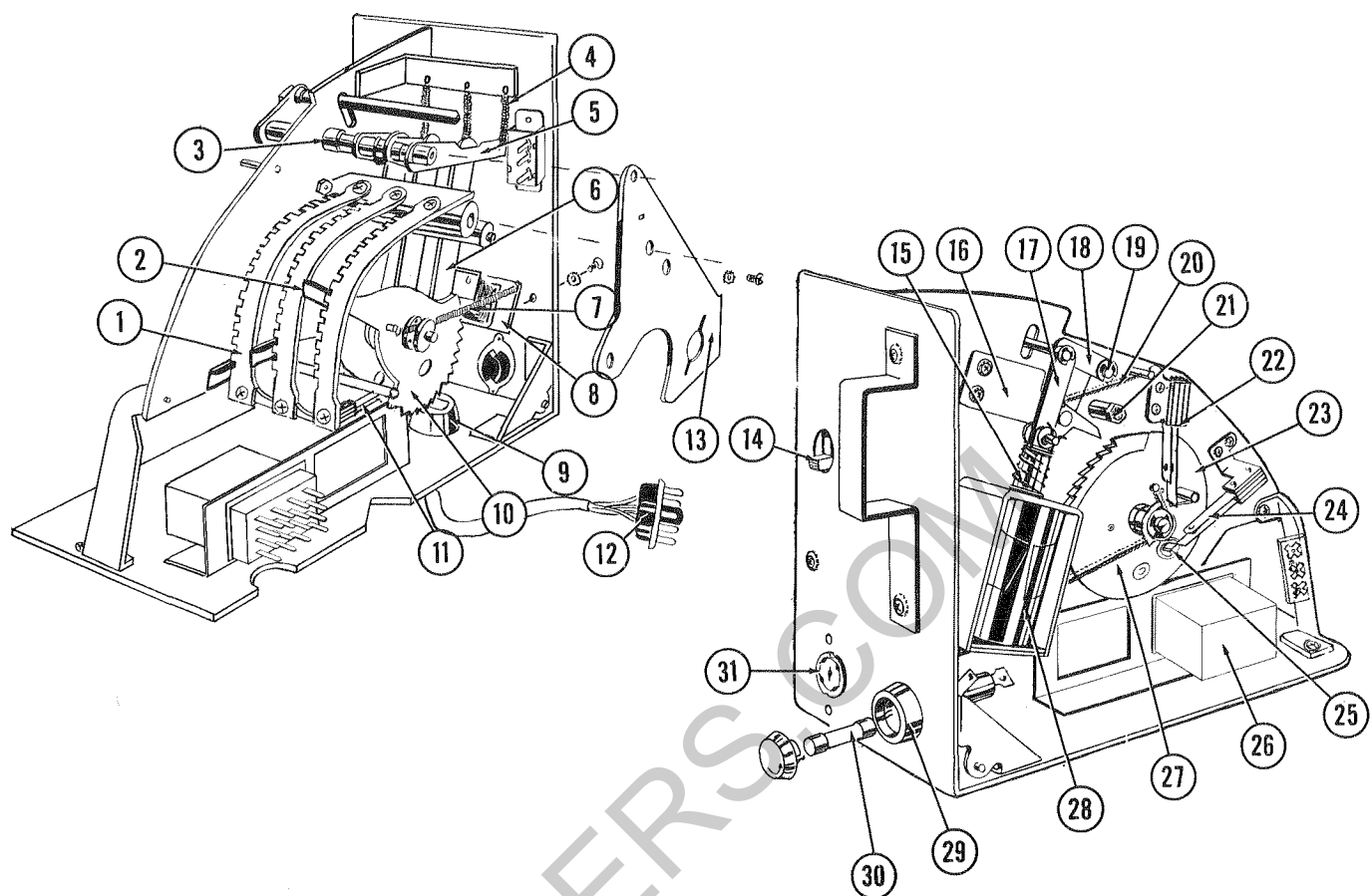


FIG. 90. COIN REGISTER MECHANISM (PLAYRAK)

1. Indexing Strip & Silk Screen Assy., 10¢	123659	16. Stop Bracket, Pawl	66069
Indexing Strip & Silk Screen Assy., 25¢	123658	17. Link	66065
Indexing Strip & Silk Screen Assy., 50¢	123657	Retaining Ring	73724-15
2. Stop Lever & Spring Assy. (3)	66132	18. Pivot Arm & Pawl Assy.	123637
3. Shaft, Lockout Lever	123634	Washer, Phosphor Bronze	63692
4. Spring, Lockout Lever	62145	Washer	53541
5. Hub & Lever Assy., Lockout (3)	123648	Retaining Ring	73724-25
6. Lever Hub & Stud Assy. (3)	123643	19. Pivot Pin, Pawl	123635
Spacer	123647	20. Spring, Pawl	62145
Retaining Ring	73724-18	21. Adjustment Cam	42868
Spring (3)	58781	22. Switch & Bracket Assy.	124473
7. Spring, Accumulator Wheel (3)	66074	23. Cancel Wheel & Mounting Plate Assy.	123628
8. Coin Magnet & Bracket Assy.	123641	24. Retaining Ring	73724-25
9. Strain Relief	71878-6	Switch Assy.	124440
10. Accumulator Wheel & Hub Assy. (3)	123650	25. Screw, 6-32 x 3/8", Bind. Hd., Nylon	74977-14
11. Switch	124014	26. Relay, Red Cover, 24 V.A.C.	122366
12. Plug, 11	38493	27. Spring, Cancel	66071
13. Back Plate	123660	28. Solenoid, Cancel	124925
14. Slide Switch	126006	29. Fuse Post	121809
15. Spring, Solenoid Return	66072	30. Fuse, 8/10 Ampere	71591-10
Eyelet (2)	66070	31. Socket, 5 Pin, Miniature	123618

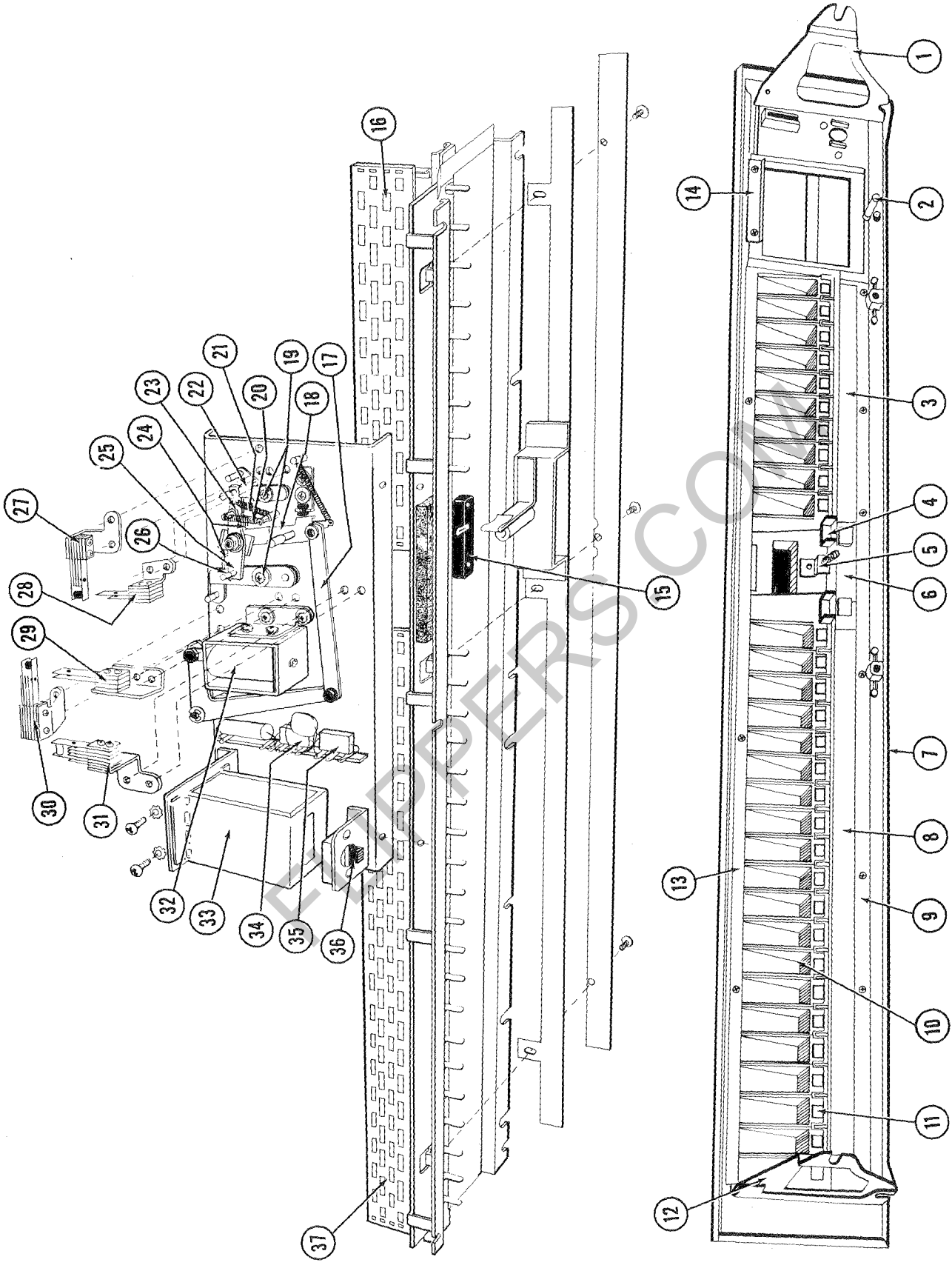


 FIG. 91. SELECTOR SWITCH ASSEMBLY

	2900	2910		2900	2910
1. Support Bracket, R.H.	125425	125425	22. Trip Lever & Spacer Assy.,		
2. Thumb Screw	126080	126080	Numbers	117695	117695
3. Numbers, 1-5	123770	123770	23. Pawl, Stud & Spacer Assy.,		
Numbers, 6-10	123771	123771	Numbers	117691	117691
Light Diffuser, Red	125914	125914	24. Stop Tab on Release Lever,		
Light Diffuser, White	124550	124550	Stud & Spacer Assy.	56713	56713
4. Clip	125357	125357	25. Trip Lever, Stud & Spacer		
5. Button & Bracket Assy.	125405	125405	Assy., Letters	117694	117694
6. Escutcheon, Select	125178	125178	26. Pawl, Stud & Spacer Assy.,		
Light Diffuser	125179	125179	Letters	65009	65009
7. Selector Casting	124984	124985	27. Mounting Bracket & Switch		
8. Letters, A-E	123766	123766	Assy., Numbers	126314	126314
Letters, F-K	123767	123767	28. Mounting Bracket & Switch		
Letters, L-Q	123768		Assy., Number Series	64982	64982
Letters, R-V	123769		29. Mounting Bracket & Switch		
Light Diffuser, Red	125914	125914	Assy., Letter Series	64981	64981
Light Diffuser, White	124550	124550	30. Mounting Bracket & Switch		
9. Extrusion, Clamp	124996	124996	Assy., Letters	126314	126314
10. Button, Selector	121901	121901	31. Mounting Bracket & Switch		
11. Speed Clip	121954	121954	Assy., Control	125406	125406
12. Support Bracket, L.H.	125426	125426	32. Solenoid	112104	112104
13. Extrusion & Pad Assy.	125911	125911	Plunger, Solenoid	112104-1	112104-1
14. Clamp	125357	125357	Pin, Plunger Solenoid	65947	65947
15. Switch, Button Release	125222	125222	Washer	487	487
16. Selector Switch, Numbers	125917	125926	Cotter Pin	23355	23355
17. Crank & Link Assy.	111720	111720	33. Counter & Bracket Assy.	125199	125199
18. Release Lever, Stud & Spacer			34. Resistor, 85 ohm, 5W.	74819-2	74819-2
Assy.	56713	56713	35. Resistor, 150 ohm, 5W.	74822-2	74822-2
19. Screw, 8-32 x 1/4", R. Hd.	73533-34	73533-34	36. Switch, Free Play	126106	126106
20. Spring, Letter Latch	57129	57129	37. Selector Switch, Letters	126916	126927
21. Spring, Number Latch	120067	120067			

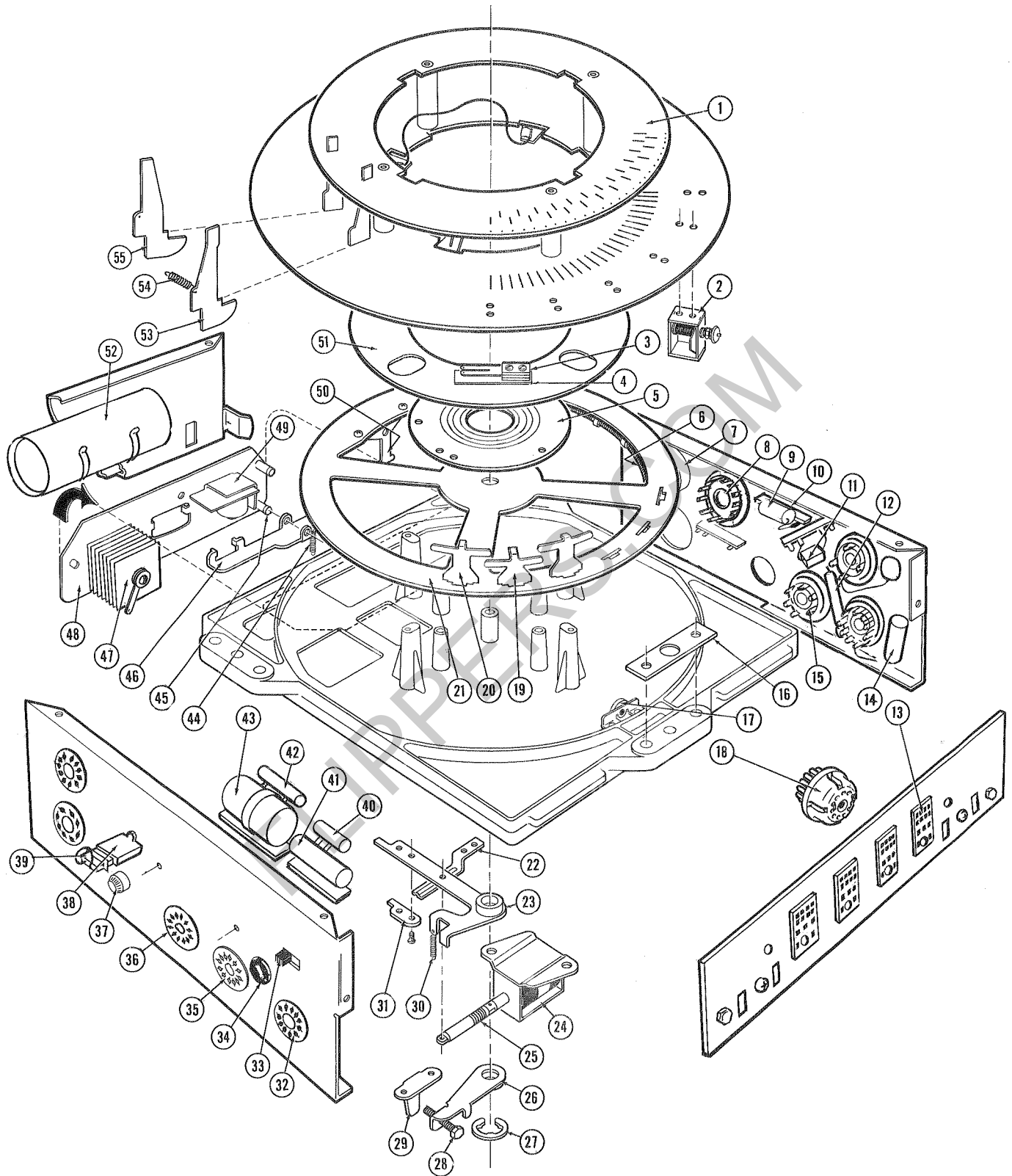


 FIG. 92. ELECTRIC SELECTOR - 2910

1. Plate & Spacer Assy.	122372	28. Screw, 8-32 x 7/8", Hex	73793-87
2. Solenoid, Selector (20)	64602	29. Stop, Centering Yoke	115824
3. Override Switch (4)	115918	30. Spring (2)	115821
4. Insulator (4)	64595	31. Guide Plate, Centering Yoke	115822
5. Contact Plate Assy.	66186	32. Socket, 12 Pin	30495
6. Spring, Rotating Plate	115973	33. Slide Switch	123715
7. Socket, 11 Pin (5)	38492	34. Terminal Bushing	124835
8. Socket, 11 Pin	110964	35. Socket, 11 Pin	38492
9. Capacitor, 20 Mfd., 50V.	73840-42	36. Socket, 12 Pin	114325
10. Resistor, 560 ohms, 2W.	72474-32	37. Fuse Post	121809
11. Resistor, 85 ohms, 5W.	74819-2	Fuse .8 Ampere, Slow Blo	71591-10
12. Resistor, 310 ohms, 5W.	70684-2	38. Socket, 4 Circuit	122650
13. Socket, Relay (4)	122131	39. Jumper Plug Assy.	126223
Retainer, Socket (4)	122132	40. Resistor, 560 ohms, 2W.	72474-32
14. Capacitor, .1 Mfd., 600V.	74321-16	41. Capacitor, 50 Mfd., 50V.	73845-32
15. Socket, 6 Pin	32881	42. Resistor, 560 ohms, 2W.	72474-32
16. Guide, Selector Mount	61850	43. Capacitor, 150 Mfd., 50V.	73889-620
17. Roller Assy.	64630	44. Spring, Stop Arm	64773
18. Plug & Wire Assy.	121319	45. Stop Pivot	64649
Socket, 11 Pin (4), Stepper	38492	46. Stop Arm Assy.	115862
19. Rocker, Short (10)	117692	47. Rectifier, Selenium	118663
20. Rocker, Long (10)	115788	48. Mounting Plate & Spring Stud Assy.	117986
21. Rotating Plate	115787	49. Magnet & Frame Assy.	117987
22. Guide, Centering Yoke	115823	50. Stop Bracket, Selector	115789
23. Centering Yoke, Hub & Pin Assy.	115802	51. Wobble Plate	115796
24. Solenoid, Driver (2)	115975	52. Capacitor, 124 Mfd., 50V. A.C.	74808
25. Spring & Plug Assy.	64783	53. Latch Pin, Inner (50)	115806
26. Adjustment Bracket, Hub & Stop Nut Assy.	115798	54. Spring, Latch Pin (100)	57110
27. Retaining Ring	73724-50	55. Latch Pin, Outer (50)	115807

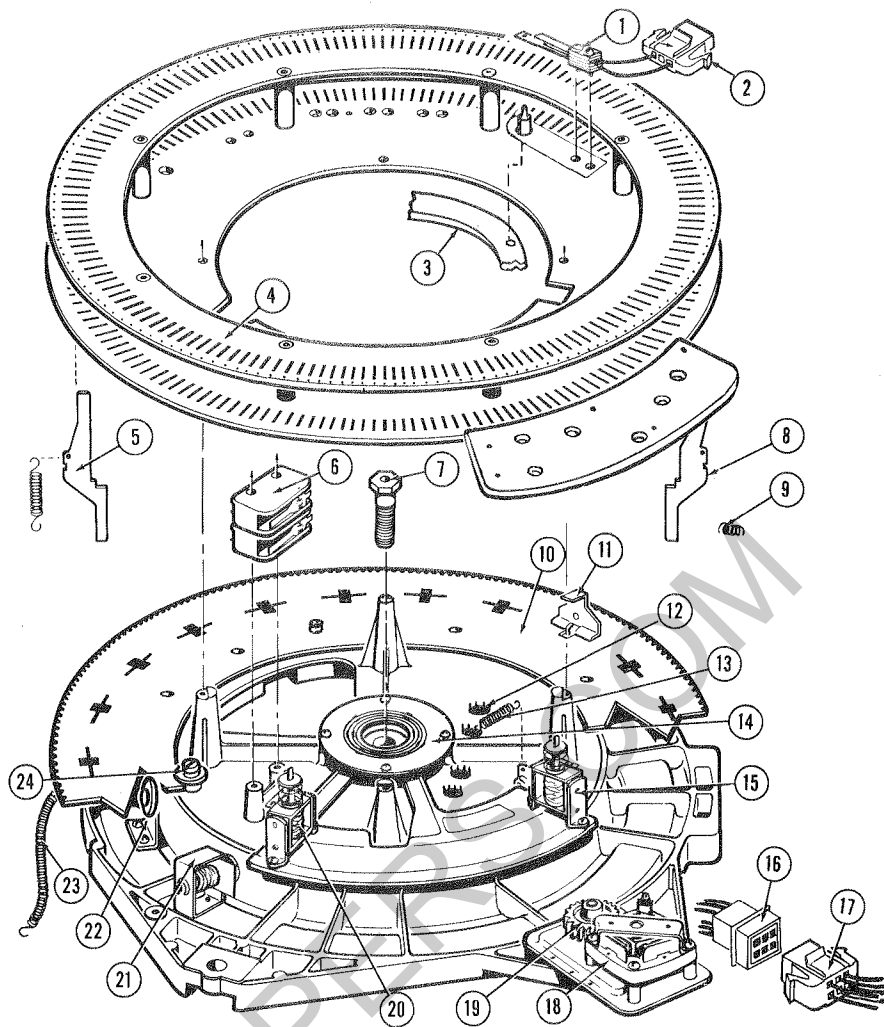


FIG. 93. ELECTRIC SELECTOR - 2900

1. Switch Assy. (4)	65952	Plunger	68608
Insulator	69839	Washer	64766
2. Socket, 3 Circuit	117824	Spring	64780
Cap, 3 Circuit	117823	Internal Hair Pin	74402-1
3. Wobble Ring	67927	16. Cap, 6 Circuit	113527
Spacer (4)	68650	17. Socket, 6 Circuit	113528
4. Selector Plates & Spacer Assy.	123832	Contact (10)	111527
5. Latch Pin, Inner (100)	110941	18. Motor & Gear Assy.	111913
6. Switch (2)	110558	19. Gear & Hub Assy.	68717
7. Stud	69246	Roll Pin	73782-32
Lock Washer, 1/2	73607-13	20. Solenoid, Selector Stop (9)	68617
Nut, 1/2-20	73602-77	21. Solenoid, Selector (20)	68594
8. Latch Pin, Outer (100)	110942	Plunger	68496
9. Spring, Latch Pin (200)	110480	Washer	64766
10. Rotating Plate	67920	Spring	64780
11. Rocker, Rotating Plate (20)	67926	Internal Hair Pin	74402-1
12. Plug, 11 Prong	48501	22. Bracket & Roller Assy. (3)	68561
Socket, 11 Prong (3)	38492	23. Spring, Rotating Plate	68755
13. Spring, Number Quadrant	62773	Stop Pin, Rotating Plate (10)	115411
14. Contact Plate Assy.	66186	24. Roller, Guide (3)	68656
15. Solenoid, Selector Stop (1)	68804	Stud, Eccentric, Guide Roller	69659
		Stud, Guide Roller (2)	68657
		Retaining Ring (3)	73724-31

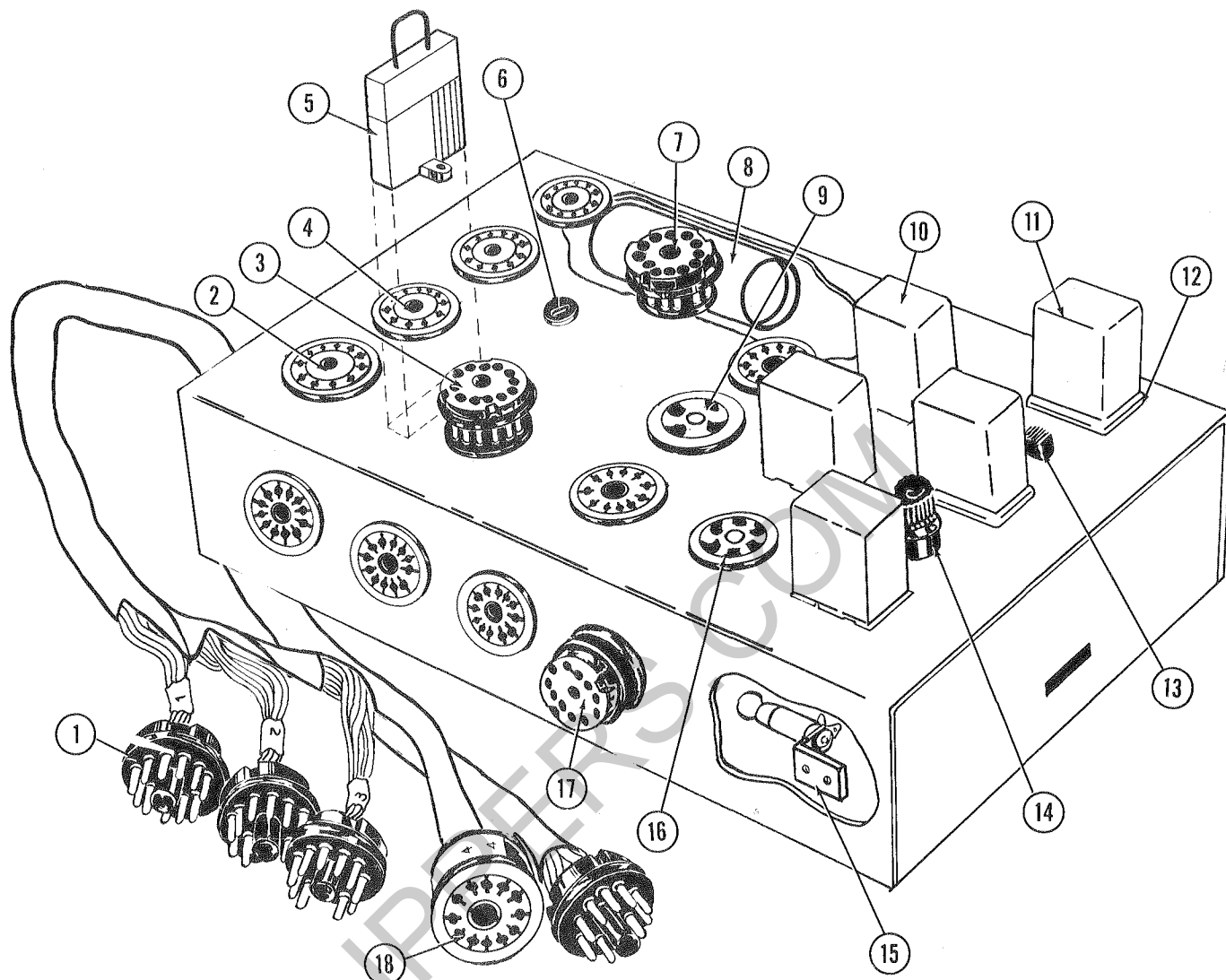


FIG. 94. JUNCTION BOX - 2900

1. Plug, 11	121584	9. Socket, 4	30495
2. Socket, 12	114325	10. Relay, White Cover, 28V., D.C.	122133
3. Plug & Wire Assy., Red (T.T. Jumper)	123990	11. Relay, Red Cover, 24V., A.C.	122366
4. Socket, 11	38492	12. Socket, Relay, Without Color Code	122131
5. Socket, 4 Circuit Jumper Plug Assy.	122650 126223	13. Switch	123715
6. Terminal Bushing	124835	14. Fuse Post Fuse, 8/10 Ampere, Slow Blo	121809 71591-10
7. Plug & Wire Assy., Blue (Spec. Prog.)	124279	15. Lamp Socket Lamp, No. 303	122358 122359
8. Capacitor, 124 Mfd., 50V., A.C.	74808	16. Socket, 6	32881
Capacitor, 50 Mfd., 50V.	73845-32	17. Plug & Wire Assy. (Stepper Jumper)	121319
Capacitor, .1 Mfd., 600V.	74321-16	18. Socket, 11	58898
Capacitor, .047, 400V.	74569-24	Cap	16610
Capacitor, 100 Mfd., 50V.	73846-32		
Resistor, 310 ohm, 5W.	70684-2		

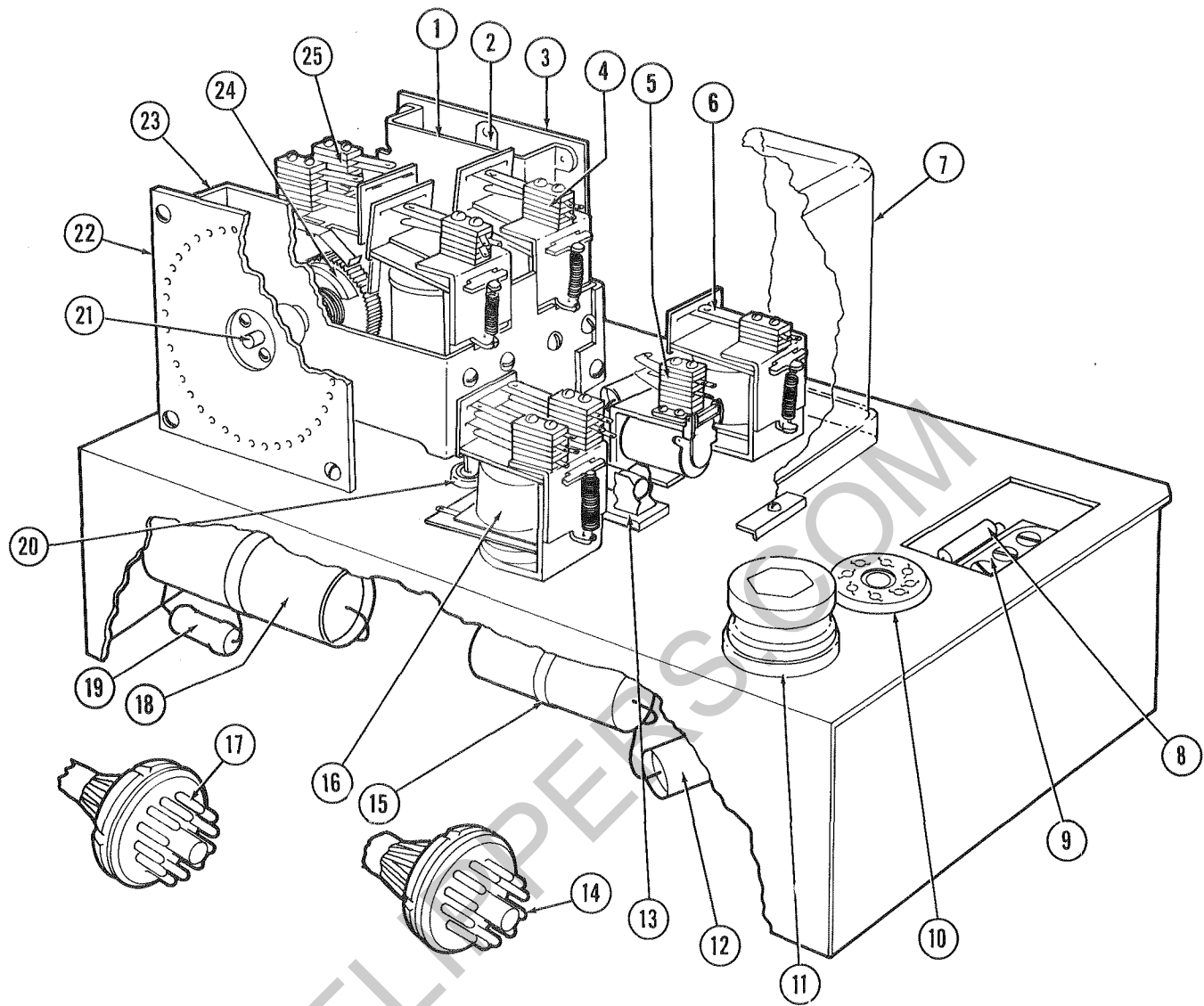


FIG. 95. MODEL 261 STEPPER

1. Frame, Number Contact Plate	114346-J	13. Fuse Clip	46602
2. Contact Wiper Arm, Letter or Number	114346-G	Fuse .5 Ampere, Slow Blo	71591-6
3. Contact Plate, Number	114346-E	14. Plug, 12 Prong (3)	114324
4. Step Magnet, Letter or Number Pawl Armature Contact Assy.	114346-B 114346-BA 114346-BB 114346-BC	15. Capacitor, .5 Mfd., 400V.	73099-240
5. Relay, Pulse Contacts	117048 117048-A	16. Relay, Transfer	118551
6. Relay, Timing	118553	17. Plug, 11 Prong	121584
7. Cover, Plastic Box	65801	18. Capacitor, 500 Mfd., 50V.	71816
8. Capacitor, .01 Mfd., 400V.	71217-14	19. Resistor, 50 ohm, 5W.	72986-2
9. Terminal Strip	68920	20. Grommet (3) Cup Washer (6)	60574 60575
10. Socket, 8 Prong	10964	21. Stepper, Dual	114346
11. Socket, Fustat Fustat, 3 Ampere	61857 61858	22. Contact Plate, Letter	114346-F
12. Capacitor, 4 Mfd., 250V.	73835-55	23. Frame, Letter Contact Plate	114346-K
		24. Delrin Ratchet Wheel, Letter Delrin Ratchet Wheel, Number Teflon Shim Washer	114346-D 114346-C 61004-A
		25. Release Relay Armature & Pawl Spring	114346-A 114346-AA

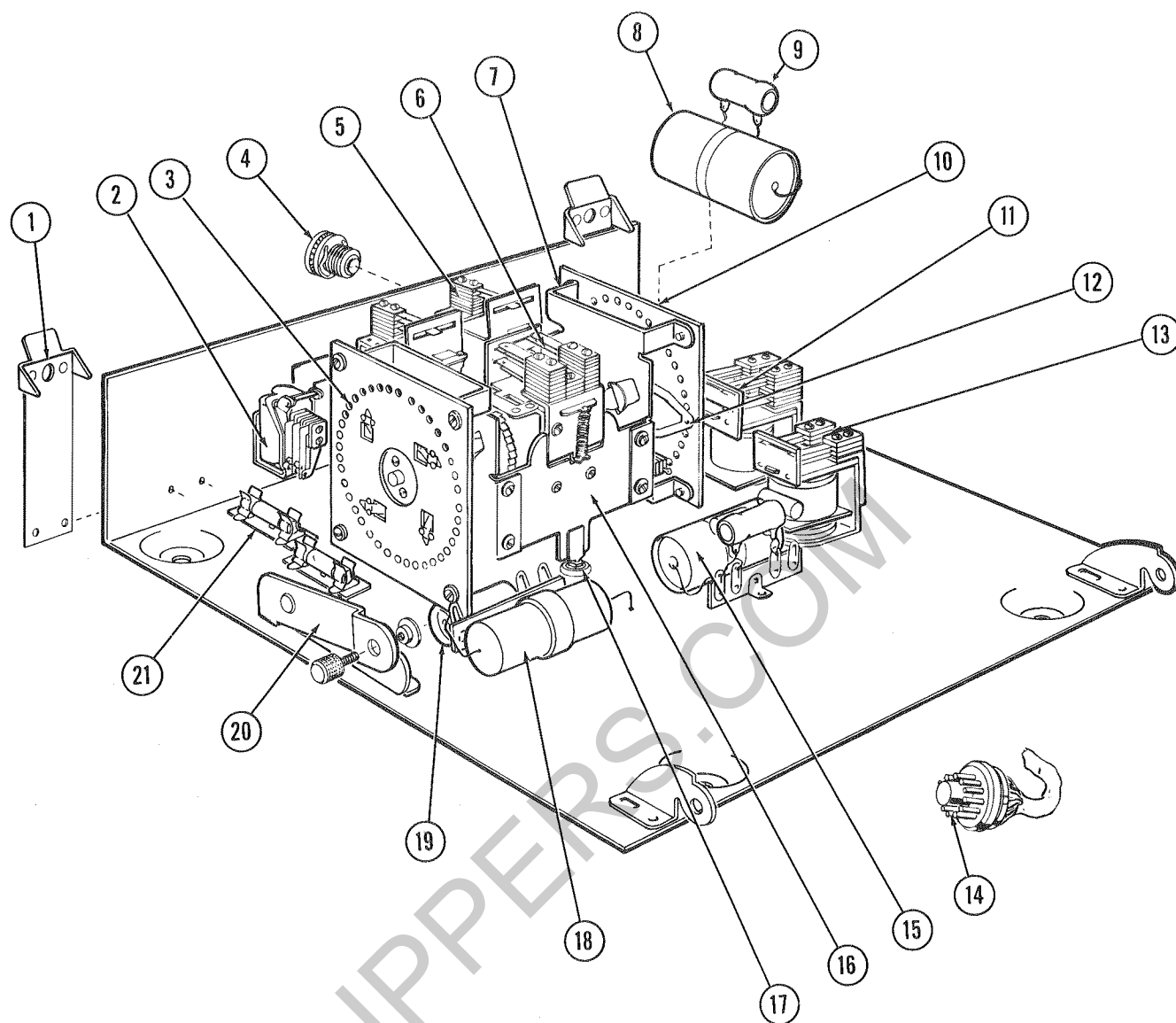


FIG. 96. MODEL 259-A STEPPER

1. Spring & Clip Assy. (2)	115832	9. Resistor, 25 ohms, 5W. (3)	71887-2
2. Relay, Pulse	117048	10. Contact Plate Assy., 2 Circuit	114528-E
Contacts	117048-A	11. Relay, Transfer	118450
3. Contact Plate Assy., 4 Circuit	114528-F	12. Contact Arm Assy., 2 Circuit	114528-G
Contact Arm Assy., 4 Circuit	114528-H	Nylon Ratchet Wheel, 2 Circuit	
Nylon Ratchet Wheel, 4 Circuit		Contact Arm	114346-D
Contact Arm	114346-C	13. Relay, Timing	118447
Frame, 4 Circuit Contact Plate	114346-J	14. Plug, 11 Prong (4)	38493
4. Fustat, 3 Ampere	61858	15. Capacitor, 100 Mfd., 50V.	73862
Socket, Fustat	61857	16. Stepper, Dual	114528
5. Step Magnet (2)	114346-B	17. Grommet (3)	60574
Pawl	114346-BA	Cup Washer (6)	60575
Armature	114346-BB	18. Capacitor, .5 Mfd., 400V.	73099-240
Contact Assy.	114346-BC	19. Capacitor, 4 Mfd., 250V.	73835-55
6. Relay, Release Latch	114346-A	20. Fall Support Assy.	115825
Armature & Pawl Spring	114346-AA	Spacer	115831
7. Frame, 2 Circuit Contact Plate	114346-K	Thumb Screw	59280
8. Capacitor, 250 Mfd., 50V.	71499	21. Fuse Clip (2)	46602

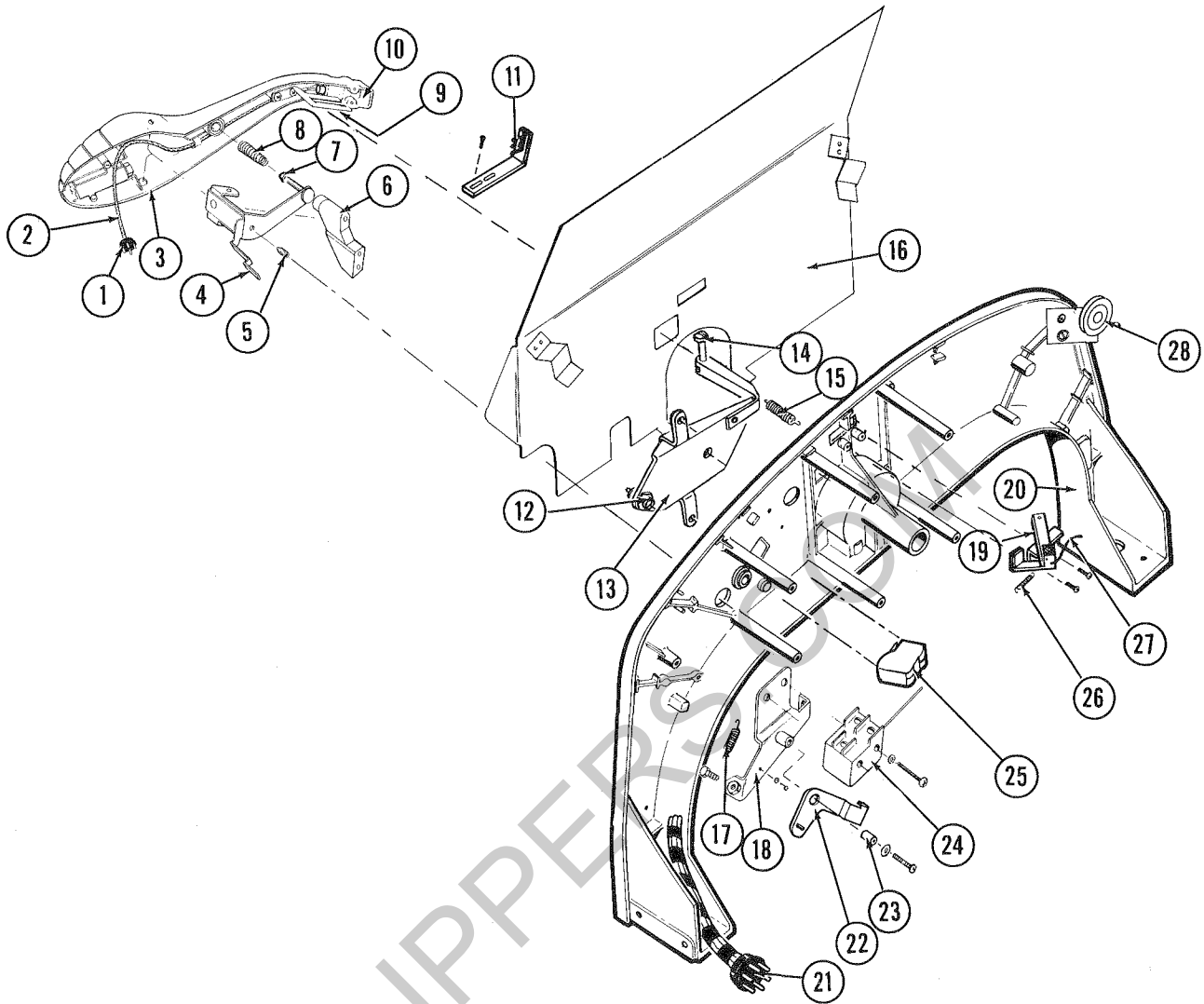


FIG. 97. TOP SUPPORT CASTING

1. Plug, 4	69089	15. Spring	65096
2. Pickup Cable & Plug Assy., (Cartridge Plug)	122564	16. Decorative Background & Clip Assy.	125279
3. Tone Arm Sub Assy.	121941	17. Spring, Trip Switch Bracket	59615
4. Gimbal & Stop Nut Assy.	120451	18. Bracket & Stop Nut Assy.	121249
5. Pivot Screw	59394	19. Arm, Tone Arm Brush Felt	121950 121965
6. Mounting Casting & Pin Assy.	120452	20. Support Casting & Bushing Assy.	121911
7. Nut, 10-32, Nylock	73865-8	21. Plug, 6 Pin	16607
8. Spring, Tone Arm Pressure	114484	22. Adjusting Bracket, Trip Switch	121690
9. Latch Bracket	64423	23. Bushing	59411
10. Cartridge, Stereo	121944	Screw, 8-32 x 1-1/4", R.H.	73503-95
Needle, Double Sapphire Tip	122668	24. Trip Switch	121229
Screw, 4-40 x 5/16", R.H. (2)	73533-3	25. Switch, Safety Insulator	110557 59900
11. Brush Holder	121949	26. Spring Tone Arm Brush	59710
Brush	119080	27. Cable, Tone Arm Brush, 38" Sleeve, Tone Arm Brush Cable	60912 59881
12. Screw, 8-32 x 1", R.H., Nylon	74288-27	28. Pulley & Bracket Assy.	123342
13. Bracket & Stop Nut Assy.	120435		
14. Stop Pin, Tone Arm	115660		

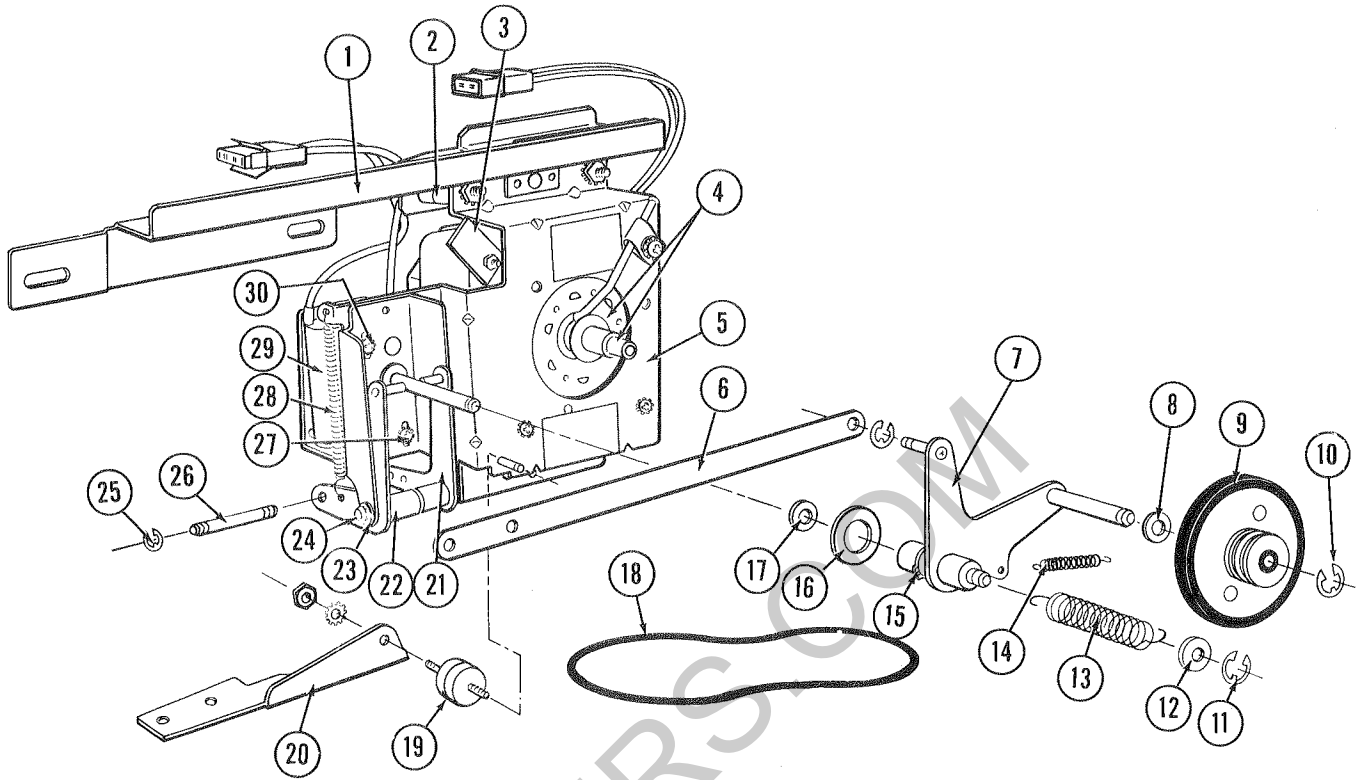


FIG. 98. TURNTABLE DRIVE ASSEMBLY

1. Mounting Bracket Assy., Upper	124814	16. Washer	124521
2. Rubber Mount	60882	17. Felt Washer	124520
3. Plate	124834	18. Belt (2)	124527
4. Motor & Sleeve Assy.	124638	19. Rubber Mount	60882
5. Stud & Motor Mtg. Bracket Assy.	124537	20. Bracket	124502
6. Link, T.T. Shift, L.H.	124492	21. Bell Crank Assy. - L.H.	125374
7. Bearing & Arm Assy.	124546	22. Bell Crank Assy., - R.H.	125373
8. Washer	59673	23. Retaining Ring	73724-18
9. Drive Wheel	124495	24. Shaft	124519
10. Retaining Ring	73724-25	25. Retaining Ring	73724-15
11. Retaining Ring	73724-25	26. Shaft	124518
12. Cup Washer	124530	27. Screw, 6-32 x 5/16", R.Hd.	73533-23
13. Spring	124526	28. Spring	124487
14. Spring	124525	29. Shift Solenoid	121095
15. Retaining Ring	73727-50	30. Screw, 6-32 x 5/16", R.Hd.	73533-23

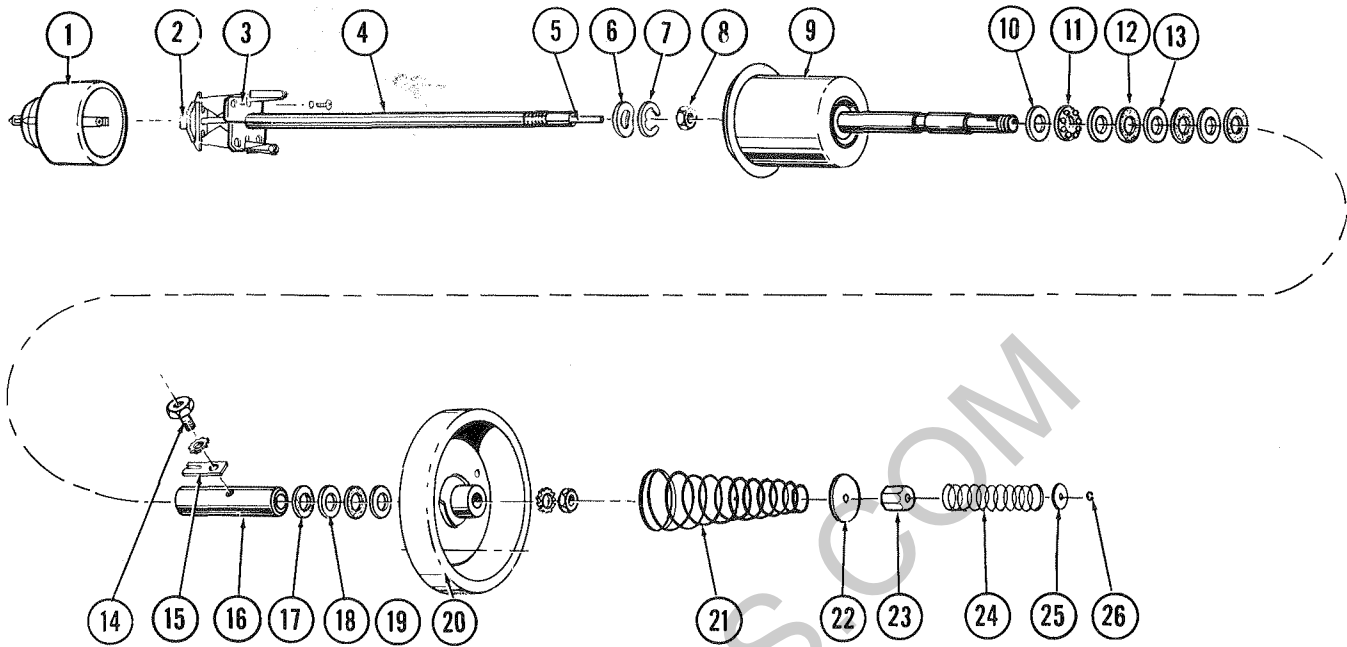


FIG. 99. TURNTABLE ASSEMBLY

1. Pilot	122113	11. Ball Race	59867
2. Cam, Clamp Lever	119409	12. Shim, Fiber	63732
3. Plate & Arms Assy.	119439	13. Shim, Steel	63731
Lever, Record Clamp (2)	119412	14. Screw, Turntable Sleeve	64513
Spring (2)	119424	Lock Washer	73604-9
Washer	50494	15. Clamping Plate	64512
Retaining Ring	73724-12	16. Sleeve & Bushing Assy.	64520
Screw, 6-32 x 1/4", R. Hd. (4)	73533-22	17. Shim, Fiber	63732
4. Tube	119420	18. Shim, Steel	63731
Retaining Ring (2)	73724-25	19. Washer	56530
Spring Washer	73632-18	20. Flywheel	59456
5. Shaft, Turntable Pilot Clamp Levers	119413	21. Spring, Turntable Pilot	122114
6. Spring Washer	73632-18	22. Adjusting Plate	121338
7. Retaining Rings (2)	73724-25	23. Adjusting Nut	121337
8. Nut, 7/16-20	59470	24. Spring, Clamp Arm	119423
9. Turntable & Shaft Assy.	122779	25. Cup Washer	119414
10. Thrust Washer (2)	59864	26. Retaining Ring	73724-12

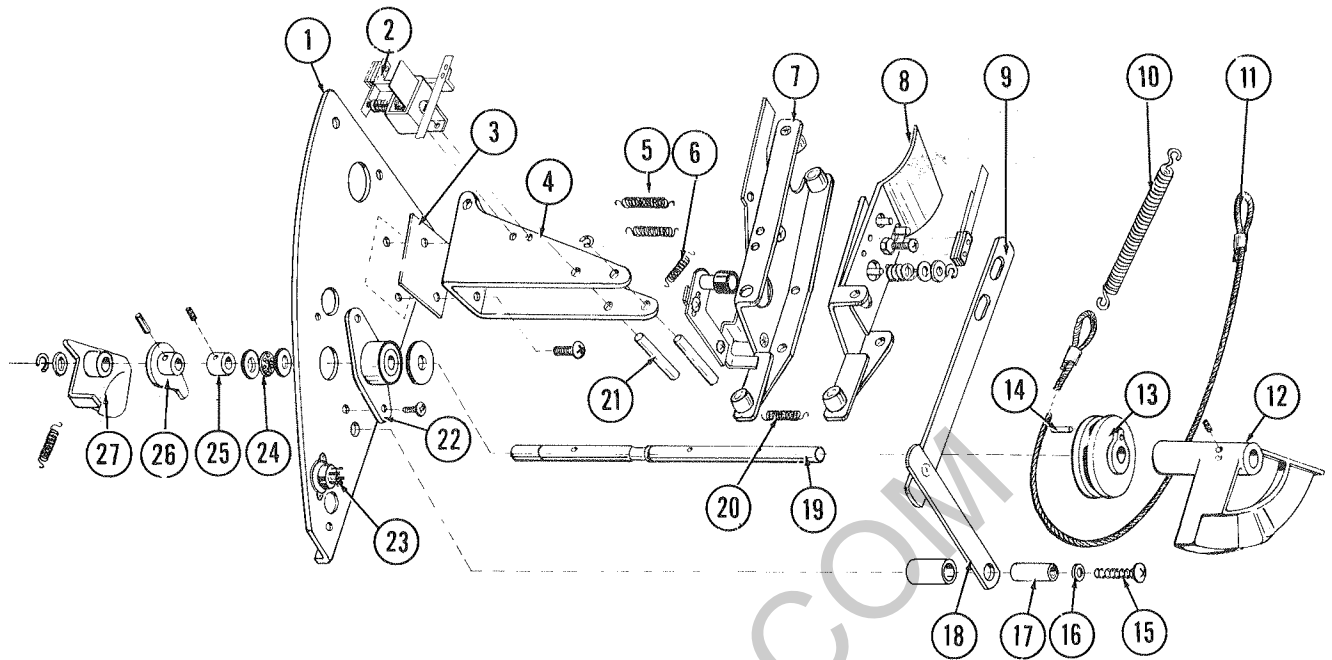


FIG. 100. MOUNTING PLATE AND SHAFT ASSEMBLY

1. Mounting Plate & Socket Assembly	114258	12. Cam, Record Clamp	119429
2. Solenoid Assy., Interlock	119826	Roll Pin	73782-51
Switch Assy.	119784	13. Pulley	59415
Support Bracket & Spring Assy.	119793	Roll Pin	73782-49
Cap, 3 Circuit	117823	14. Roll Pin	73782-34
Lamp	111816	15. Screw	73533-44
Contact Connectors, Lamp	121763	16. Washer	51822
3. Shim	119445	17. Bushing	124523
4. Pivot Bracket	119433	18. Crank & Hub Assy.	124497
5. Spring, Turntable Release Arm (2)	119426	19. Shaft	59393
6. Spring	124525	20. Spring	59710
7. Turntable Release Arm Assy.	119441	21. Shaft (2)	59400
8. Cam Lever Assy., Turntable Pilot	119442	Retaining Ring	73728-25
Spring, Cam Lever	119498	22. Plate & Bearing Assy.	59911
Cup Washer	119432	23. Socket, 4	69090
Retaining Ring	73724-18	24. Ball Race	59679
Screw, 8-32 x 5/8", R. Hd., Nylon	74288-25	Washer (2)	59440
Nylon	74288-25	25. Collar	119584
9. Link, Turntable Shift, L.H.	124492	26. Arm & Hub Assy., Tone Arm Release	59722
Link, Turntable Shift R.H.	124493	Retaining Ring	73728-37
10. Spring, Turntable Cam	119425	Spring	59606
11. Cable & Sleeve Assy.	59871-A	27. Hub & Lever Assy., Tone Arm Release	59722
Sleeve	59891	Retaining Ring	73728-37

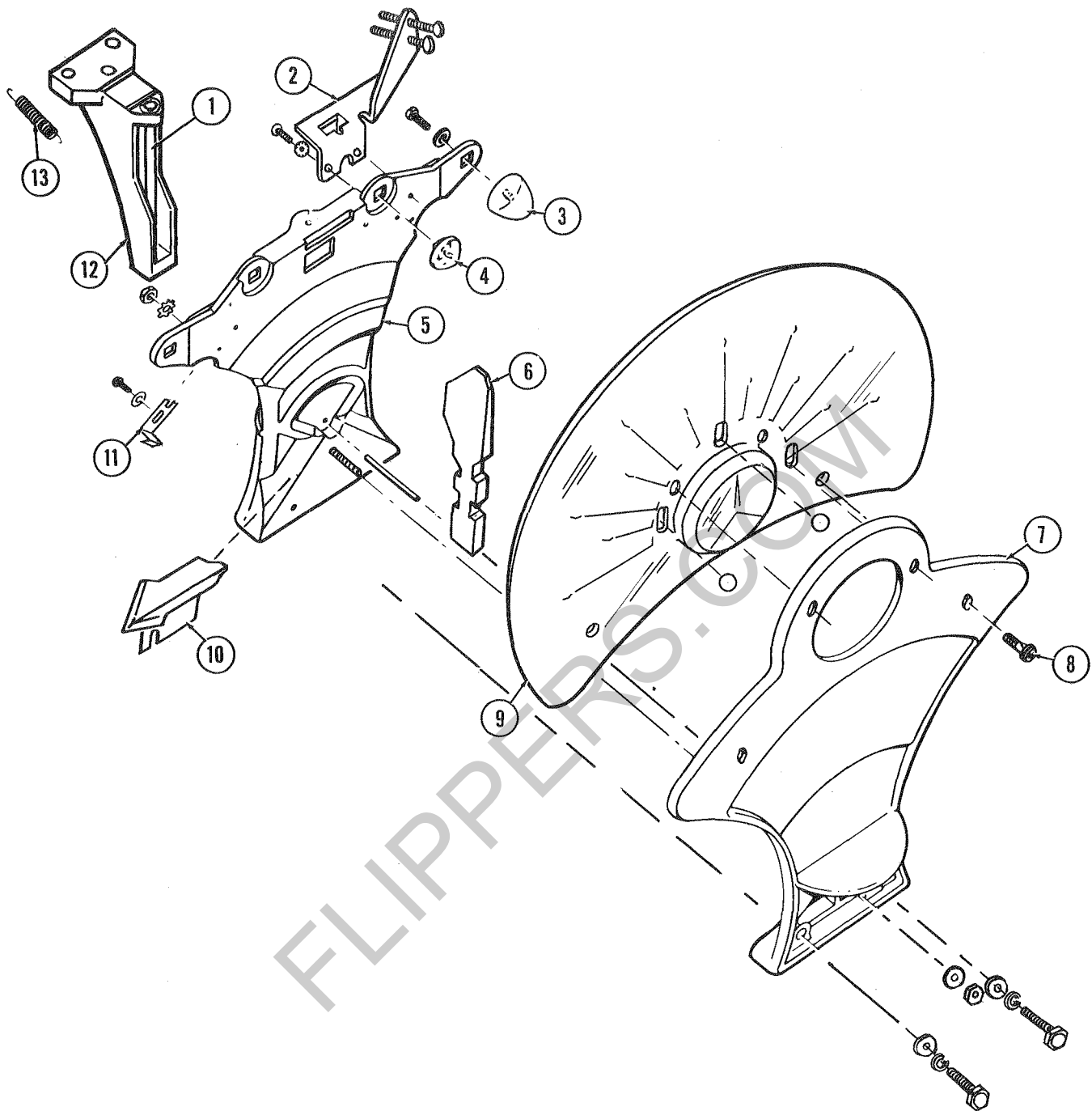


FIG. 101. RECORD GUIDE ASSEMBLY

1. Shaft, Record Guide Pivot Retaining Ring (2)	59869 73724-18	8. Screw, 6-32 x 7/16", Truss Hd., Type 23	74335-22
2. Bracket & Stop Nut Assembly Screw, 6-32 x 1", R.H. Screw, 6-32 x 1-3/8", R.H.	120445 73656-74 73800	9. Record Guide Plate	123943
3. Bumper, Record Guide	117254	10. Record Guide & Bracket Assy., L.H. Record Guide & Bracket Assy., R.H.	68376 68375
4. Bumper, Record Guide	59396	11. Stop Bracket (2) Screw, 4-40 x 5/16", R.H.	122840 73533-3
5. Casting, Rear	122436	12. Pivot Casting, Record Guide Spring Pin, Pivot Casting	59892 59908
6. Track Groove Pin	59425 59546	13. Spring, Record Guide Retracting	59606
7. Casting, Front	123942		

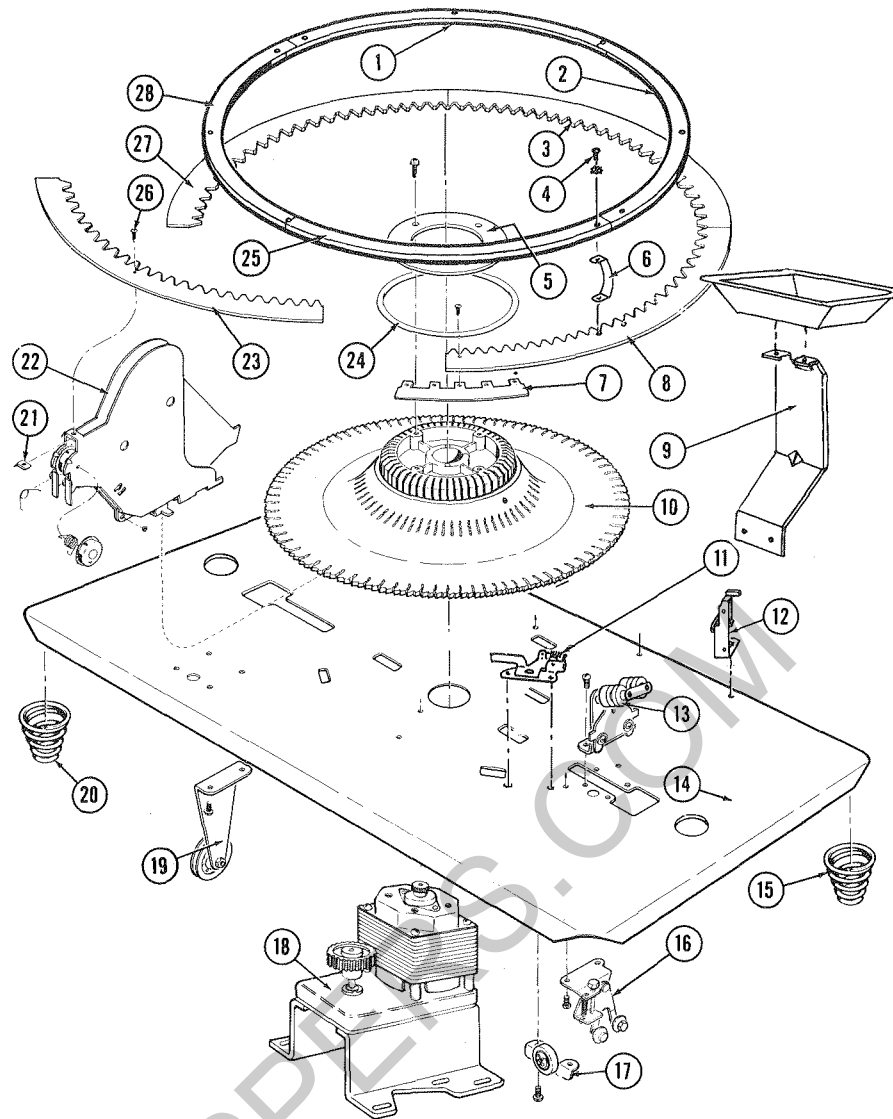


FIG. 102. RECORD CARRIER AND CHASSIS MOUNTING PLATE - 2900

1. Segment, Record Indicator Ring, H6-N5	118183	14. Chassis Mounting Plate, Sub Assy.	126185
2. Segment, Record Indicator Ring, C6-H5	118184	15. Conical Spring, Chassis Mount, Red Dot	53774
3. Segment, Carrier Ring & Silk Screen Assy., L2-R1	114066	16. Bracket & Roller Assy., L.H. Bracket & Roller Assy., R.H.	65885 65886
4. Screw, 4-40 x 3/16", R.H.	73533-1	17. Bracket & Roller Assy., (3)	59844
5. Clamp, Record Holder	59734	18. Motor & Pinion Assy., Pinion Gear & Hub Assy., Pinion Mounting Bracket (2)	121998 68717 121982
6. Spacer (10)	118936	Taper Pin	665
7. Connecting Bracket	65548	19. Mounting Bracket & Idler Pulley	61574
8. Segment, Carrier Ring & Silk Screen Assy., F2-L1	114064	20. Conical Spring, Chassis Mount, Yellow Dot	61059
9. Mounting Bracket, Record Indicator Panel	126184	21. Nut	73637-10
Record Indicator Panel	125168	22. Record Holder Assy.	65908
Screw, 6-32 x 5/16", R.H.	73533-23	23. Segment, Carrier Ring & Silk Screen Assy., A2-F1	114067
Washer	42120	24. "O" Ring, Rubber Gasket	119824
10. Casting, Record Holder	115684	25. Segment, Record Indicator Ring, T6-C5	118185
11. Back Stop Pawl Assy. (2)	65890	26. Screw, 4-40 x 3/8", R.H.	73503-25
Spring	59710	27. Segment, Carrier Ring & Silk Screen Assy., R2-A1	114065
12. Playmeter Reset Lever Assy. Spring	113210 59710	28. Segment, Record Indicator Ring, T5-N6	118182
13. Bracket & Roller Assy., Lift Arm Guide (2)	116837		
Roller	116833		
Stud, Eccentric	116831		

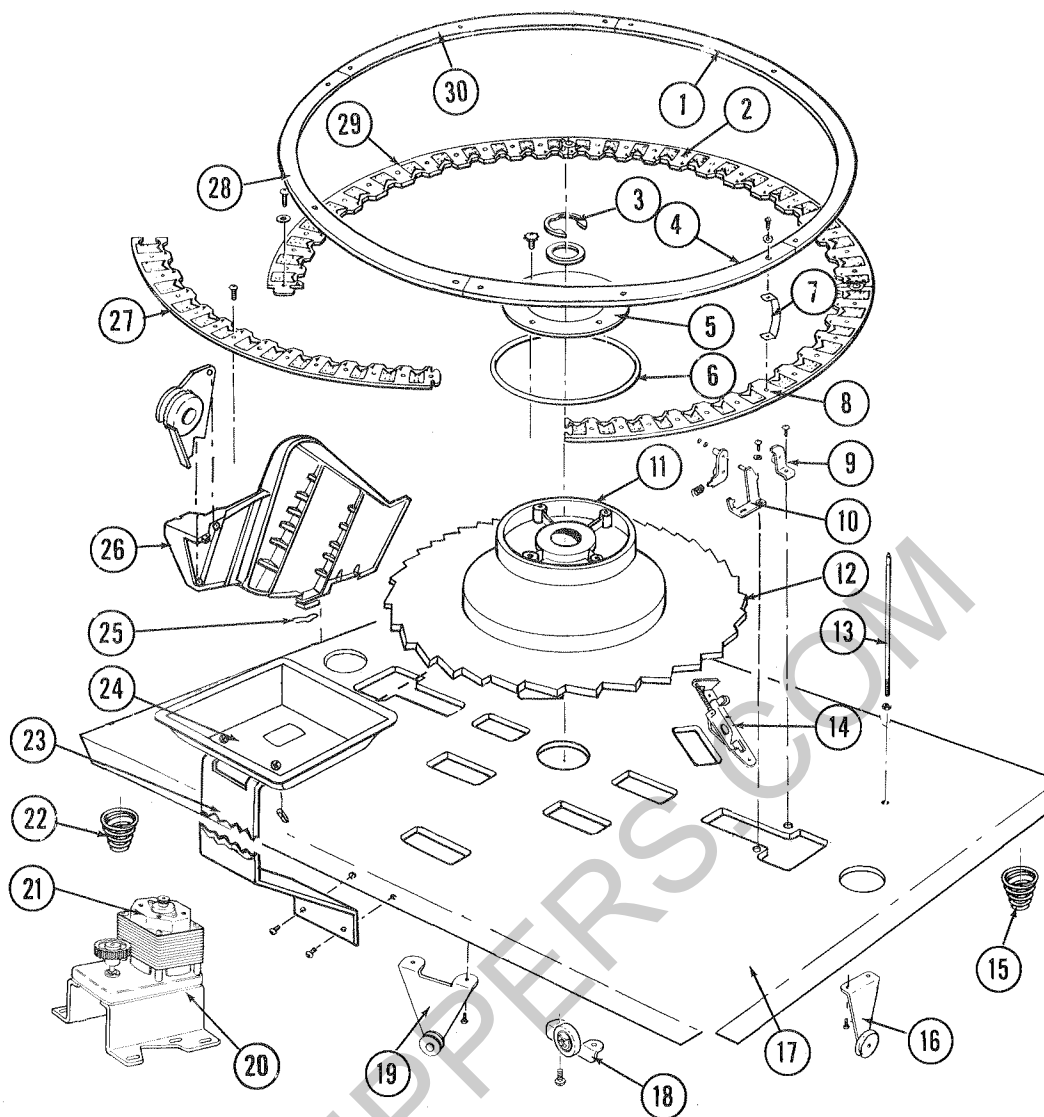


FIG. 103. RECORD CARRIER AND CHASSIS MOUNTING PLATE - 2910

1. Segment, Record Indicator Ring, B4-D8	118201	17. Chassis Mounting Plate Sub Assy.	126185
2. Segment, Carrier Ring & Silk Screen Assy., A1-C6	122074	18. Bracket & Roller Assy. (3)	122088
3. Retaining Ring	73724-87	19. Idler Pulley & Bracket Assy.	59719
4. Segment, Record Indicator Ring, D7-G1	118199	20. Mounting Bracket (2)	121982
5. Clamp	59734	21. Motor & Pinion Assy. Gear & Hub Assy.	122681 68717
6. "O" Ring	122083	Taper Pin #4/0	665
7. Spacer (10) Splice Plate, Carrier Ring	119574	22. Conical Spring, Chassis Mount, Front, Red Dot	53774
8. Segment, Carrier Ring & Silk Screen Assy., H7-K0	122077	23. Mounting Bracket, Record Indicator Panel	126184
9. Bracket & Roller Assy. (2)	59704	24. Record Indicator Panel Screw, 6-32 x 5/16", R.H.	125168 73533-23
10. Mounting Bracket & Roller Assy. (2) Retaining Ring (2) Spring (2)	60658 73724-15 60677	25. Spring, Retainer, Record Holder (50)	122082
11. Casting, Record Holder	122080	26. Record Holder Assy.	122071
12. Plate, Record Holder	122081	27. Segment, Carrier Ring & Silk Screen Assy., F1-H6	122075
13. Bracer Rod	60519	28. Segment, Record Indicator Ring, G4-J8	118202
14. Back Stop Pawl Assy. (2) Bumper	122084 54246	29. Segment, Carrier Ring & Silk Screen Assy., C7-E0	122076
15. Conical Spring, Chassis, Rear, Yellow Dot	61059	30. Segment, Record Indicator Ring, B1-J7	118200
16. Mounting Bracket & Idler Pulley Assy.	61574		

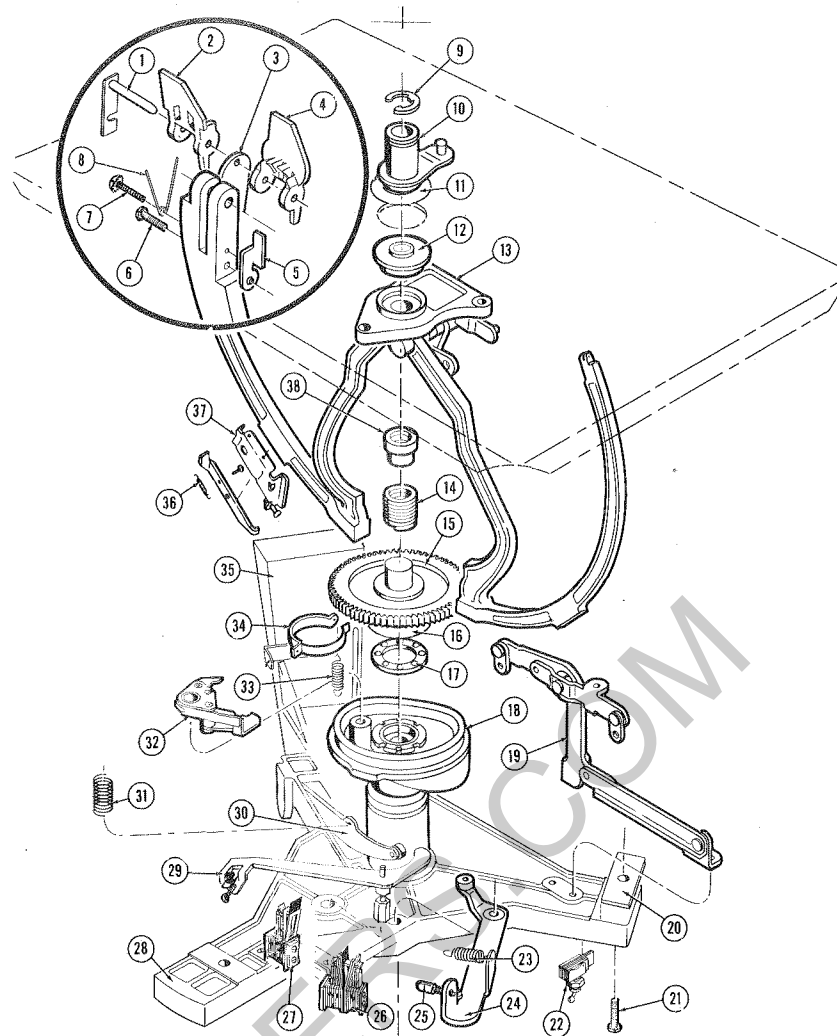


FIG. 104. RECORD CHANGER - 2900

1. Plate & Pin Assy.	117252	21. Screw, 1/4-20 x 1", Hex Hd.	73793-150
2. Guide Tip, L.H.	65731	22. Switch, Record Loading, S.P.S.T.	119785
3. Guide Plate	68290	23. Spring, Mute & Play Switch Actuator	62773
4. Guide Tip, R.H.	65730	24. Actuator Arm Assy., Play Switch	62761
5. Stop, Guide Tip	65526	Screw, 4-40 x 1-1/4", R.H.	73574-33
6. Screw, 4-40 x 5/8", R.H.	73533-7	25. Actuator, Nylon Tip	58255
7. Screw, 3-48 x 1/2", R.H.	73533-106	26. Mute & Play Switch & Bracket Assy.	124485
8. Spring	65812	Over-Center Spring	124485A
9. Retaining Ring	73724-87	27. Transfer Switch & Bracket Assy.	124486
10. Arm & Rivet Assy.	115668	Over-Center Spring	124486A
Roll Pin	73782-85	Washer, Nylon	124486B
11. Spacer, Yoke	52808	28. Chassis Frame & Shaft Assy.	116023
12. Ball Bearing	59654	29. Lever Assy., Record Clamp	59688
13. Pivot Casting & Arm Assy.	113204	30. Cancel Lever, Hub & Roller Assy.	59513
Record Actuating Arm & Shaft		Cancel Casting	59631
Assy., L.H.	65881	Roll Pin	73782-66
Assy., R.H.	65883	Roll Pin	73782-70
14. Spring, Drive Clutch	59584	Spring, Cancel	110934
Washer, Felt (2)	59655	31. Spring, Cancel Lever Return	65809
Washer, Steel (2)	59647	32. Pawl Assy.	59537
15. Gear & Ratchet Wheel Assy.	116986	33. Spring, Strap & Spring Assy.	59612
16. Spacer	110077	34. Strap & Spring Assy., Friction	
17. Ball Race	59637	Drive Pawl	59626
Washer (2)	59641	35. Support Casting, R.H.	67928
Retaining Ring	73727-112	Support Casting, L.H.	68700
Oil Guard	66580	36. Spring, Play Meter Actuating Arm	59894
18. Main Cam & Bushing Assy.	62792	37. Bracket & Nut Assy.	113205
19. Link & Lever Assy., Record Arm	59599	38. Hub, Selector Drive Clutch	118254
20. Tapping Plate (2)	68521	Roll Pin	73782-88

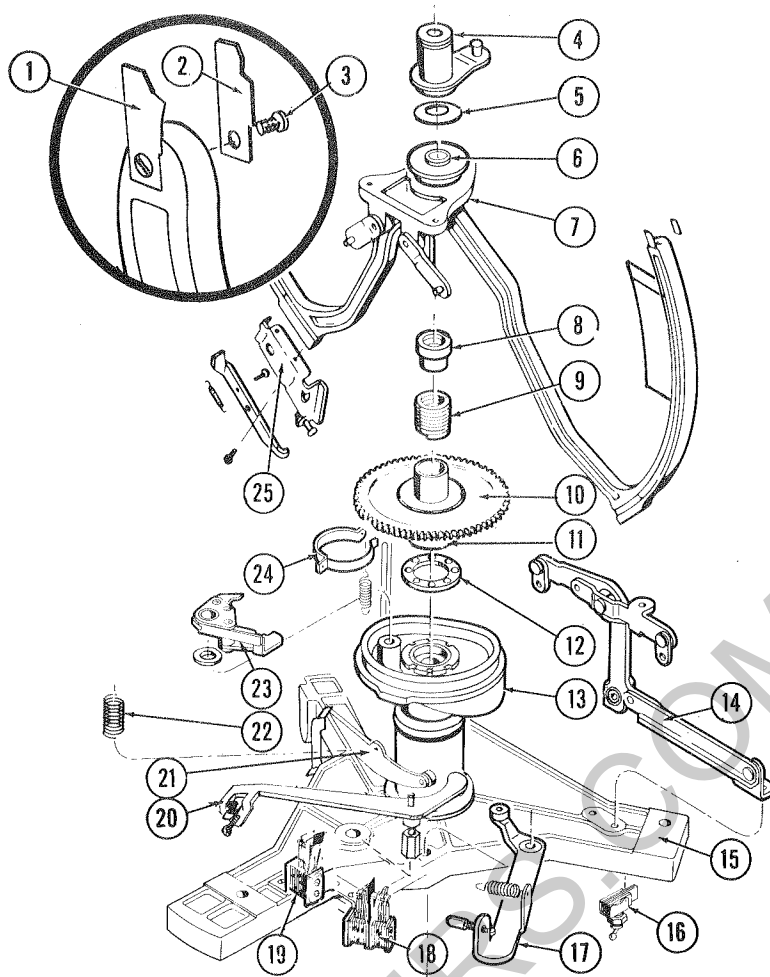


FIG. 105. RECORD CHANGER - 2910

1. Guide Tip, Left Hand (2)	60711	17. Actuator Arm Assy., Mute & Play	
2. Guide Tip, Right Hand (2)	61484	Switch	62761
3. Screw, 2-56 x 3/16", F. Hd.	73586-2	Spring	62773
Lock Washer, #2, Countersunk	73606-1	Nylon Tip, Actuator	58255
4. Arm & Rivet Assy.	121924	Actuator Arm Assy., Transfer	
5. Spacer, Yoke	52808	Switch	123299
6. Ball Bearing	59654	Lever Assy., Record Clamp	59688
7. Pivot Casting & Arm Assy.	122093	Retaining Ring	73728-37
Record Actuating Arm &		18. Mute & Play Switch & Bracket Assy.	124485
Shaft Assy., L.H.	122094	Over-Center Spring	124485A
Record Actuating Arm &		Washer, Nylon	124485B
Shaft Assy., R.H.	122095	19. Transfer Switch & Bracket Assy.	124486
8. Hub, Selector Drive Clutch	118254	Over-Center Spring	124486A
Roll Pin	73782-88	Washer, Nylon	124486B
9. Spring, Drive Clutch	59584	20. Lever Assy., Record Clamp	59688
Felt, Washer (2)	59655	21. Cancel Lever, Hub & Roller Assy.	59513
Washer (2)	59647	Cancel Casting	59631
10. Gear & Ratchet Wheel	116986	Roll Pin	73782-66
11. Spacer	110077	Roll Pin	73782-70
12. Ball Race	59637	22. Spring, Return, Cancel Lever	65809
Washer (2)	59641	Spring, Cancel	110934
Retaining Ring	73727-112	Screw, 10-32 x 1-3/4", Hex	73793-125
Oil Guard	66580	23. Pawl Assy.	59537
13. Main Cam & Bushing	62792	24. Strap & Spring Assy.	59626
14. Link & Lever Assy., Record Arm	59599	Spring	59612
15. Chassis Frame Casting & Plate Assy.	115856	25. Bracket & Nut Assy.	113205
16. Toggle Switch, Record Loading	119785	Lever	65805
		Spring	59894

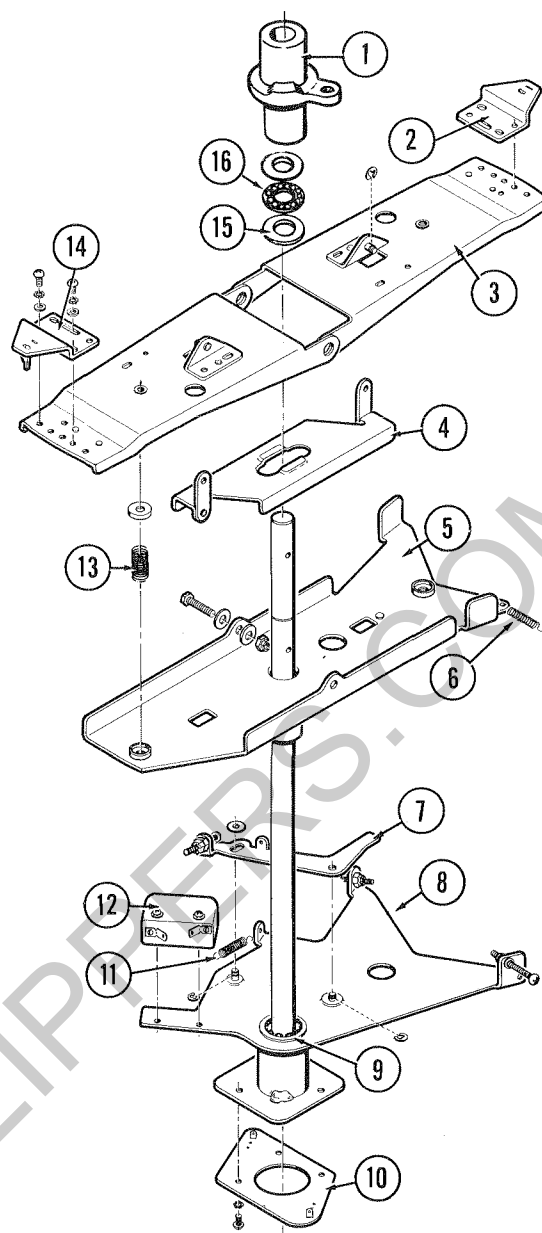


FIG. 101. SELECTOR CRANK AND SHAFT ASSEMBLY

	2900	2910		2900	2910
1. Sleeve & Bushing Assy.	68483	115772	Retaining Ring (2)	73724-18	73724-18
2. Tip & Mounting Bracket Assy., Inner	110936	116733	8. Selector Shaft Assy.	115669	121923
3. Selector Crank & Stop Nut Assy. (2)	110944	115770	9. Ball Bearing (22)	25358	25358
4. Actuator Arm & Link Assy. Retaining Ring (2)	110939	115767	10. Contact Plate Assy.	68582	115769
5. Mounting Plate & Bushing Assy.	124119	124116	11. Spring, Switch Actuator	68774	68774
6. Spring, Kickoff	68774	110480	12. Switch	60655	60655
7. Switch Lever & Stop Nut Assy.	110937	115765	13. Spring (2)	65809	65809
			14. Tip & Mounting Bracket Assy., Outer	110930	116732
			15. Thrust Washer (2)	122630	122630
			16. Ball Race	122631	122631

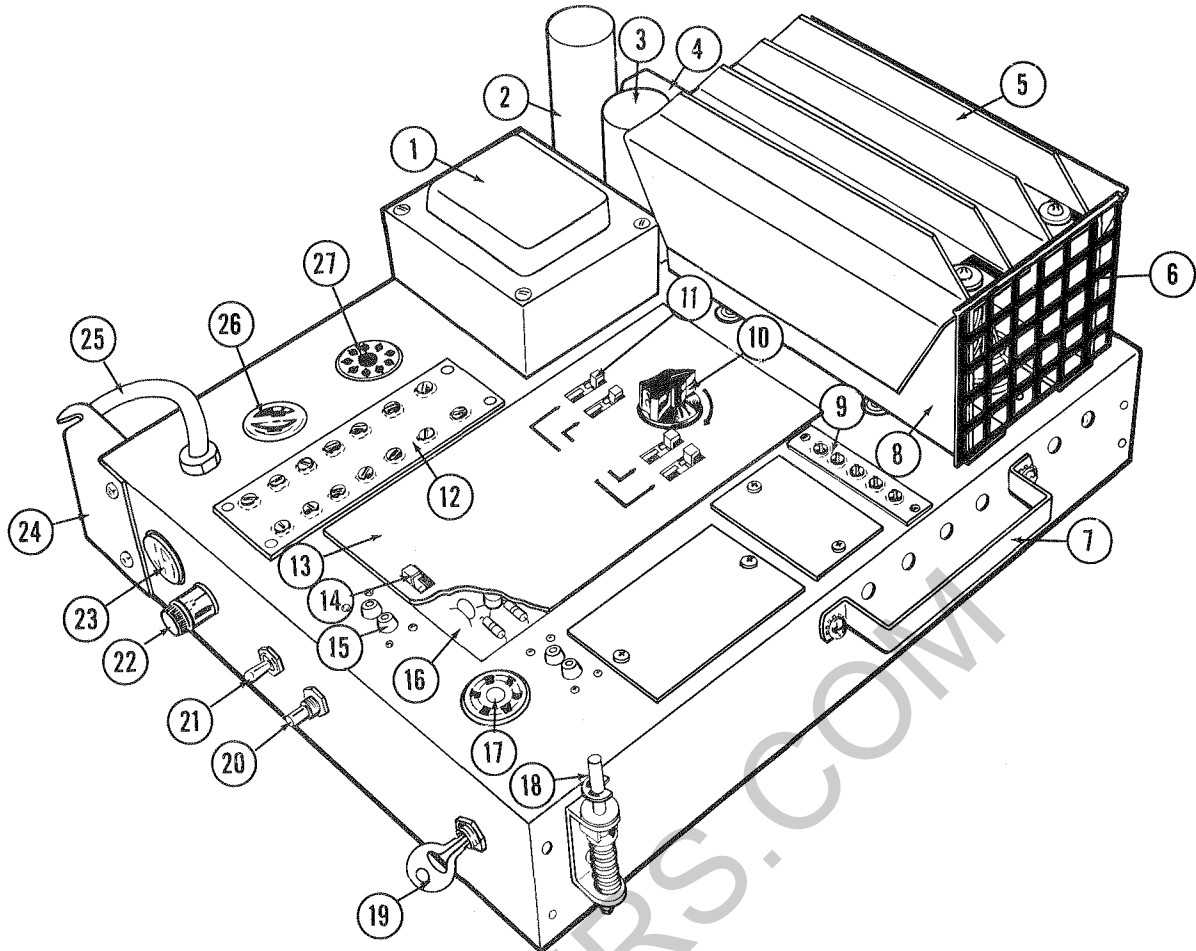


FIG. 107. MODEL 546 AMPLIFIER

1. Power Transformer	120689	Transistor, Q15, Q18 Driver	125721
2. Capacitor, Electrolytic	76252	Transformer, Driver	126502
3. Capacitor, Electrolytic	76253		Optional 651058
4. Guide Bracket	123559	Socket, Transistor	125693
5. Cover & Channel Assy.	126154	Insulator	650446
6. Guard	126155	Silicon Heat Sink Compound	126445
7. Handle	126012	Fuse, 5 Amp.	71590-27
8. P.A. Module, Complete (2)	126479	8 Amp.	71590-33
9. Terminal Strip	115492	3 Amp.	71590-22
10. Knob	125720	17. Socket, 6 Pin	32881
11. Switch (4)	125708	18. Lock Screw	122401
12. Terminal Board, Output	125616	Spring	57107
13. Cover & Silk Screen Assy.	125713	Retaining Ring	73724-25
14. Switch	125709	Mounting Bracket	122400
15. Receptacle, Input	113420	Stop Bracket	124185
16. Printed Board, Complete	125704	19. Loudness Control Wire & Plug Assy.	125699
Relay, R.Y.5	125698	Key, Loudness Control	984
Fuse Block	125695	Loudness Control	125700
Rectifier, 5A.	71588-18	Plug, 9 Pin Miniature	125702
Transformer, Audio Output (2)	125694	20. Cancel Switch	68770
Barretters (2)	125989	21. Switch, Line	121301
Clamp (2)	76266	22. Fuse Post	121809
Capacitor (2) (1200 Mfd.)	76263	Fuse 15 Amp.	71590-48
Rectifier & Mounting Bracket Assy., 18 Amp. (2)	120696	23. Receptacle, 2 Pole	13037
Transistor, Q-12, Regulator	125703	24. Hinge Bracket	122399
P.A. Module		25. Line Cord	67464
Transistor, Q13, Q14, Q16, Q17 Output	125703	26. Receptacle, 2 Pole	13037
		27. Socket, 11 Pin	38492

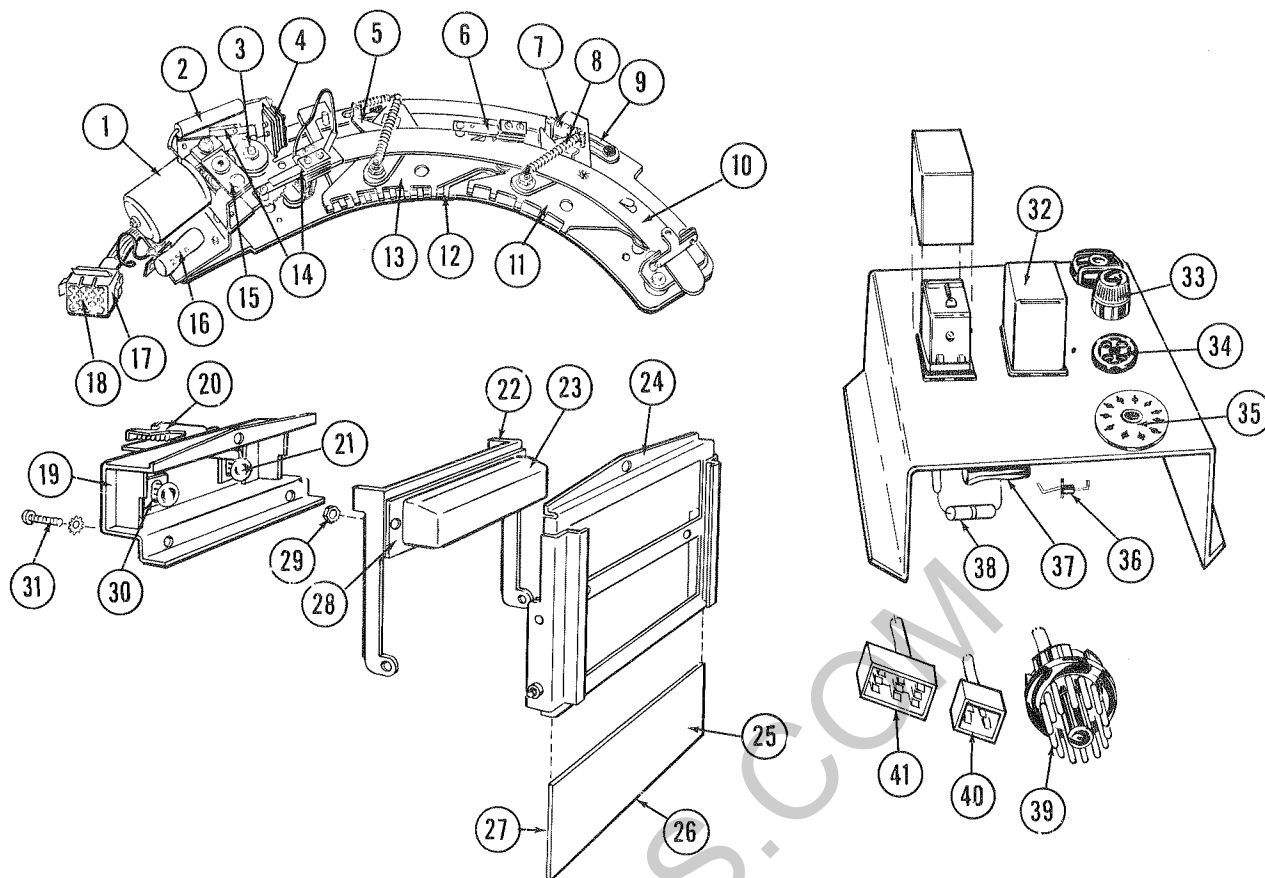


FIG. 108. TOP TUNES & ALBUM AUTOMATIC PROGRAMMING ASSEMBLY

	2900	2910		2900	2910
1. Motor & Worm Assy.	124928	124928	19. Bracket & Light Shield Assy.	125218	125218
2. Choke Coil, 150 Uh.	121291	121291	20. Switch	125221	125221
3. Actuator, Disc & Hub Assy.	125965	125965	21. Bulb	111816	111816
4. Switch, Full Cycle	124015	124015	22. Pivot Bracket	125216	125216
5. Latch Lever (2)	126190	126191	23. Button Top Tunes	124997	124997
6. Switch, Release	124002	124002	24. Mounting Bracket Assy.	125215	125215
7. Spring (2)	110480	125737	25. Window Blank, Clear	125213	125213
8. Spring (3)	124086	124086	26. Coin Denomination Label	125934	125934
9. Slide & Spring Assy.	124170	124171	27. Window Blank, Translucent	125214	125214
10. Trip Lever & Bearing Assy.	124084	124108	28. Insert	125276	125276
11. Actuator & Pin Assy., T.T.T.	124073	124097	29. Nut	73601-3	73601-3
Actuator & Pin Assy.,			Screw 4-40 x 1/4", Fl.	74959-23	74959-23
9 T.T.	124075	124099	30. Socket	111817	111817
Actuator & Pin Assy.,			31. Screw	73533-28	73533-28
8 T.T.	124076	124100	32. Relay, White, 24 Volt, D.C.	122133	122133
Actuator & Pin Assy.,			33. Fuse Post	121809	121809
7 T.T.	124077	124101	34. Socket, 4 pin, Min.	69090	69090
Actuator & Pin Assy.,			35. Socket, 12	114325	114325
6 T.T.	124078	124102	36. Rectifier	71588-17	71588-17
12. Actuator, Latch Pin, Lower	124031	124049	37. Capacitor, 100 Mfd., 50 Volt	73846-32	73846-32
13. Actuator & Pin Assy., 10 T.T.	124074	124098	38. Resistor, 560 ohm, 2W.	72474-32	72474-32
14. Switch, Counter	124014	124014	39. Plug, 12	114324	114324
15. Gear, Pinion & Bracket Assy.	125968	125968	40. Cap, 4	122649	122649
16. Resistor, 25 ohms, 5W.	74817-2	74817-2	Contact	111527	111527
17. Socket	113530	113530	41. Cap, 9	113529	113529
18. Contacts	111527	111527	Contact	111527	111527

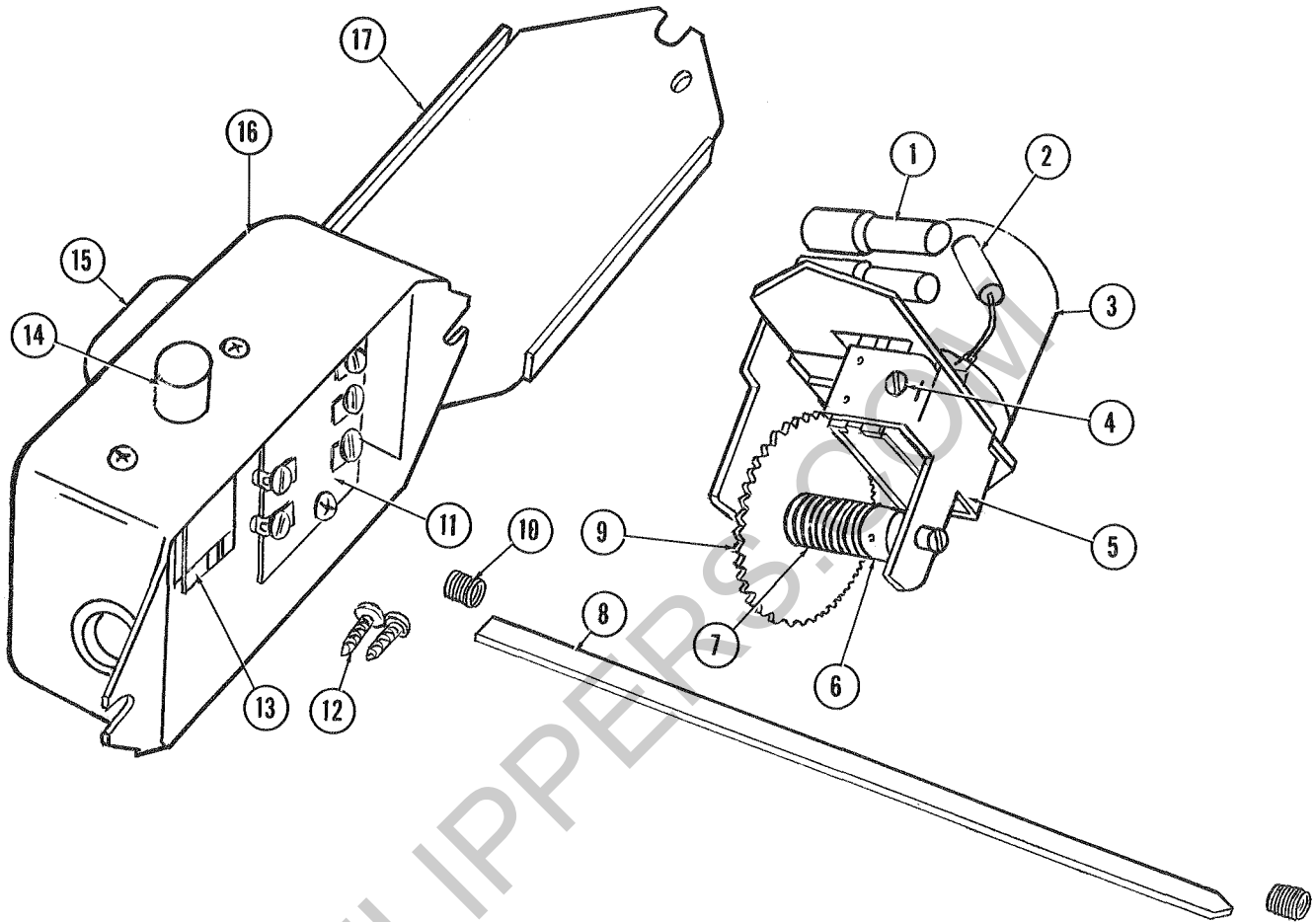


FIG. 109. 169-A REMOTE VOLUME CONTROL

1. Choke (2)	121291	9. Gear	120866
Cable Clamp	74264-5	10. Spring Connector (2)	120863
2. Resistor, 47 ohm, 1/2W. (2)	72160-32	11. Terminal Board & Lug Assy.	121235
3. Motor, Mtg. Brkt. & Wire Assy.	121006	12. Mounting Screw, 1/2"-8, R.H., Type A	73592-20
Motor & Pinion Assy.	120880	13. Switch, Cancel	120708
4. Mounting Screw, 6-32 x 1/4", Hex, Type 23 (2)	73776-22	14. Push Button Knob	120988
5. Mounting Bracket Assy.	120872	15. Switch, Loudness Control Knob	120984 120989
6. Spring Retainer	120871	16. Control Case Assy., Complete	121008
Roll Pin (2)	73782-6	Case	120985
7. Spring	120998	17. Bottom Cover	120987
8. Connector Link	120862		

DISPLAY SIGNS

Automatic Selection
of
Top Tunes

DEPOSIT HALF DOLLAR
 OR 2 QUARTERS


PRESS THE **GOLDEN BAR**

Little LP Album Music
by
Famous Artists

COLORED SLIPS INDICATE ALBUM MUSIC	2 SIDES	HALF DOLLAR OR 2 QUARTERS
	1 SIDE	1 QUARTER

126053

A Program of
Recorded Specialties
by
Famous Artists


DEPOSIT  HALF DOLLARS
QUARTERS
DIMES OR
NICKELS

SELECT AFTER DEPOSITING EACH COIN OR COIN
COMBINATION AS NOTED ON COIN PLATE

PRESS A LETTER AND NUMBER BUTTON
FOR EACH SELECTION

125605

Automatic Selection
of
Top Album Music

DEPOSIT  HALF DOLLAR
OR
2 QUARTERS


PRESS THE **GOLDEN BAR**

DEPOSIT HALF DOLLAR, QUARTERS, DIMES OR NICKELS
SELECT AFTER DEPOSITING EACH COIN OR COIN
COMBINATION AS NOTED ON COIN PLATE

PRESS A LETTER AND NUMBER BUTTON
FOR EACH SELECTION

126040

A Program Of
Top Album Music
By
Famous Artists

DEPOSIT  HALF DOLLAR
QUARTERS
DIMES
OR NICKELS

SELECT AFTER DEPOSITING EACH COIN OR COIN
COMBINATION AS NOTED ON COIN PLATE

PRESS A LETTER AND NUMBER BUTTON
FOR EACH SELECTION

125606

Automatic Selection
of
Top Tunes

DEPOSIT  HALF DOLLAR
OR
2 QUARTERS


PRESS THE **GOLDEN BAR**

DEPOSIT HALF DOLLAR, QUARTERS, DIMES OR NICKELS
SELECT AFTER DEPOSITING EACH COIN OR COIN
COMBINATION AS NOTED ON COIN PLATE

PRESS A LETTER AND NUMBER BUTTON
FOR EACH SELECTION

126039

A Program of
Little LP Album Music
by
Famous Artists

DEPOSIT  HALF DOLLARS
QUARTERS
DIMES OR
NICKELS

SELECT AFTER DEPOSITING EACH COIN OR COIN
COMBINATION AS NOTED ON COIN PLATE

PRESS A LETTER AND NUMBER BUTTON
FOR EACH SELECTION

126047

INSTRUCTION INSERTS

SELECTION OF TOP ALBUM MUSIC
BY GOLDEN BAR WILL FEATURE
PROGRAM J1 J2 J3 J4 J5 J6 J7 J9 J10

2900 - 126042

SELECTION OF TOP TUNES
BY GOLDEN BAR WILL FEATURE
PROGRAM J1 J3 J5 J7 J9 K1 K3 K5 K7 K9

2900 - 126041

DEPOSIT HALF DOLLAR, QUARTERS, DIMES OR NICKELS
SELECT AFTER DEPOSITING EACH COIN OR COIN
COMBINATION AS NOTED ON COIN PLATE

PRESS A LETTER AND NUMBER BUTTON
FOR EACH SELECTION

126011

SELECTION OF TOP ALBUM MUSIC
BY GOLDEN BAR WILL FEATURE
PROGRAM E1 E2 E3 E4 E5 E6 E7 E9 E10

2910 - 126044

SELECTION OF TOP TUNES
BY GOLDEN BAR WILL FEATURE
PROGRAM E1 E3 E5 E7 E9 F1 F3 F5 F7 F9

2910 - 126043

THESE RECORDS HAVE BEEN SPECIALLY CHOSEN
FOR YOUR LISTENING PLEASURE
ENJOY THEM

126014

LITTLE LP ALBUM MUSIC
SELECTED TO PLEASE EVERY TASTE

COLORED SLIPS INDICATE ALBUM MUSIC	2 SIDES	HALF DOLLAR OR 2 QUARTERS
	1 SIDE	1 QUARTER

126048

ENJOY A SELECT PROGRAM OF ALBUM MUSIC
FOR EVERY TASTE

COLORED SLIPS INDICATE ALBUM MUSIC

126013

FIG. 110. DISPLAY SIGNS AND INSTRUCTION INSERTS

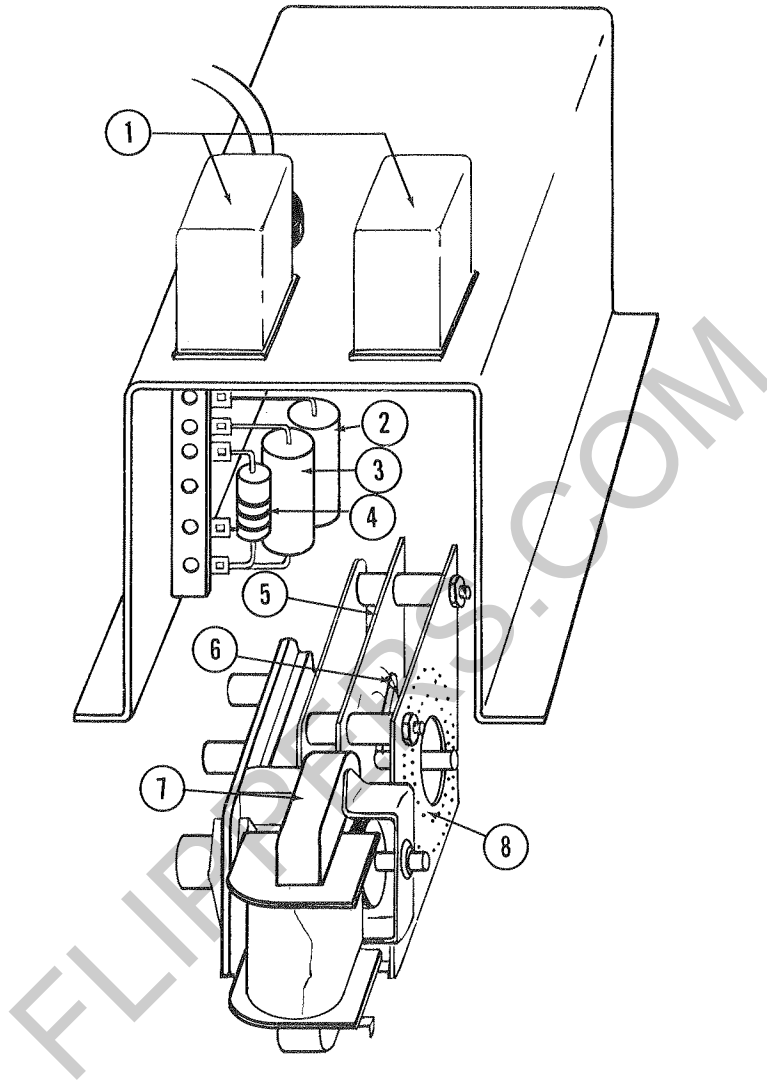


FIG. 111. L.P. UNIT

- | | | | |
|-----------------------------------|----------|-------------------------------|--------|
| 1. Relay, White Cover, 28 V.D.C. | 122133 | 5. Contact Plate, A.C. | 124454 |
| 2. Capacitor, .22 Mfd., 400 Volts | 73425-24 | 6. Contact Hub & Spring Assy. | 124453 |
| 3. Capacitor, 20 Mfd., 50 Volts | 73840-42 | 7. Motor | 119275 |
| 4. Resistor, 560 ohm, 2W. | 72474-32 | 8. Contact Plate, D.C. | 124455 |

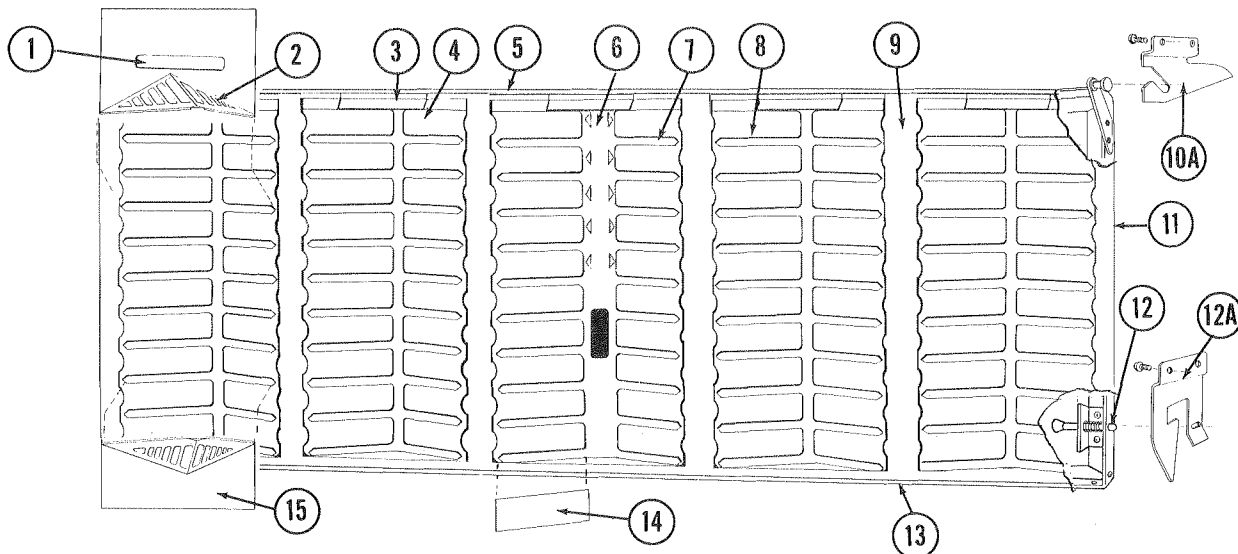


FIG. 112. PROGRAM HOLDER

	2900	2910	2910A		2900	2910	2910A
1. Classification Slips, Sheet		125618	125618	Extrusion & Paint Assy.			
2. Insert, Program Holder, Upper, Side Ivory		125530A		F1-L0	125453		
Insert, Program Holder, Upper, Side Red			126162	Extrusion & Paint Assy.			
Insert, Program Holder, Upper, Side White		125530	125530	K1-Q0	125454		
Insert, Program Holder, Upper-Center Ivory		125531A		Extrusion & Paint Assy.			
Insert, Program Holder, Upper-Center Red			126163	P1-U0	125455		
Insert, Program Holder, Upper-Center White		125531	125531	Extrusion & Paint Assy.			
3. Classification Slips, Hit Tunes	125515			T1-V0	125456		
Classification Slips, Rhythm & Blues	125516			Extrusion & Paint Assy.			
Classification Slips, Polkas & Waltzes	125517			A1-A0		125457	
Classification Slips, Jazz & Novelty	125518			Extrusion & Paint Assy.			
Classification Slips, Stereo Albums	125519			B1-C0		125458	
Classification Slips, Old Favorites	125520			Extrusion & Paint Assy.			
Classification Slips, Classical	125521			D1-E0		125459	
Classification Slips, Country & Western	125522			Extrusion & Paint Assy.			
Classification Slips, Music of the Week	125523			F1-G0		125460	
Classification Slips, Little LP	125524			Extrusion & Paint Assy.			
4. Title Strip, Double	62604	62604		H1-J0		125461	
5. Light Shield, Upper	125135	125135		Extrusion & Paint Assy.			
6. Insert Program Holder, Stars	123911	126005		K1-K0		125462	
Insert Program Holder, Top Tunes	123913	125992		10A. Hinge Bracket & Stop Pin Assy., R.H.	126097	126097	
Insert Program Holder, Album Music	123915	126000		Hinge Bracket & Stop Pin Assy., L.H.	126098	126098	
7. Program Holder, Center	121983	121983		11. Program Holder Frame Assy.	126327	126327	
8. Program Holder, Sides (4)	121984	121984		12. Slide Catch	126105	126105	
9. Extrusion & Paint Assy. A1-C0	125451			Washer	27787	27787	
Extrusion & Paint Assy. B1-G0	125452			Spring	122427	122427	
				Retaining Ring	73724-18	73724-18	
				12A. Lock Catch, Door, R.H.	125106	125106	
				Lock Catch, Door, L.H.	125107	125107	
				13. Light Shield, Lower	125136	125136	125136
				14. Cover, Program Strip, Yellow	124263	124263	124263
				15. Insert, Program Holder, Bottom, Side, Ivory		125532A	
				Insert, Program Holder, Bottom, Side, Red			126164
				Insert, Program Holder, Bottom, Side, White		125532	125532
				Insert, Program Holder, Bottom, Center, Ivory		125533A	
				Insert, Program Holder, Bottom, Center, Red			126181
				Insert, Program Holder, Bottom, Center, White		125533	125533

10A. & 12A. ARE MOUNTED ON DOME CASTING

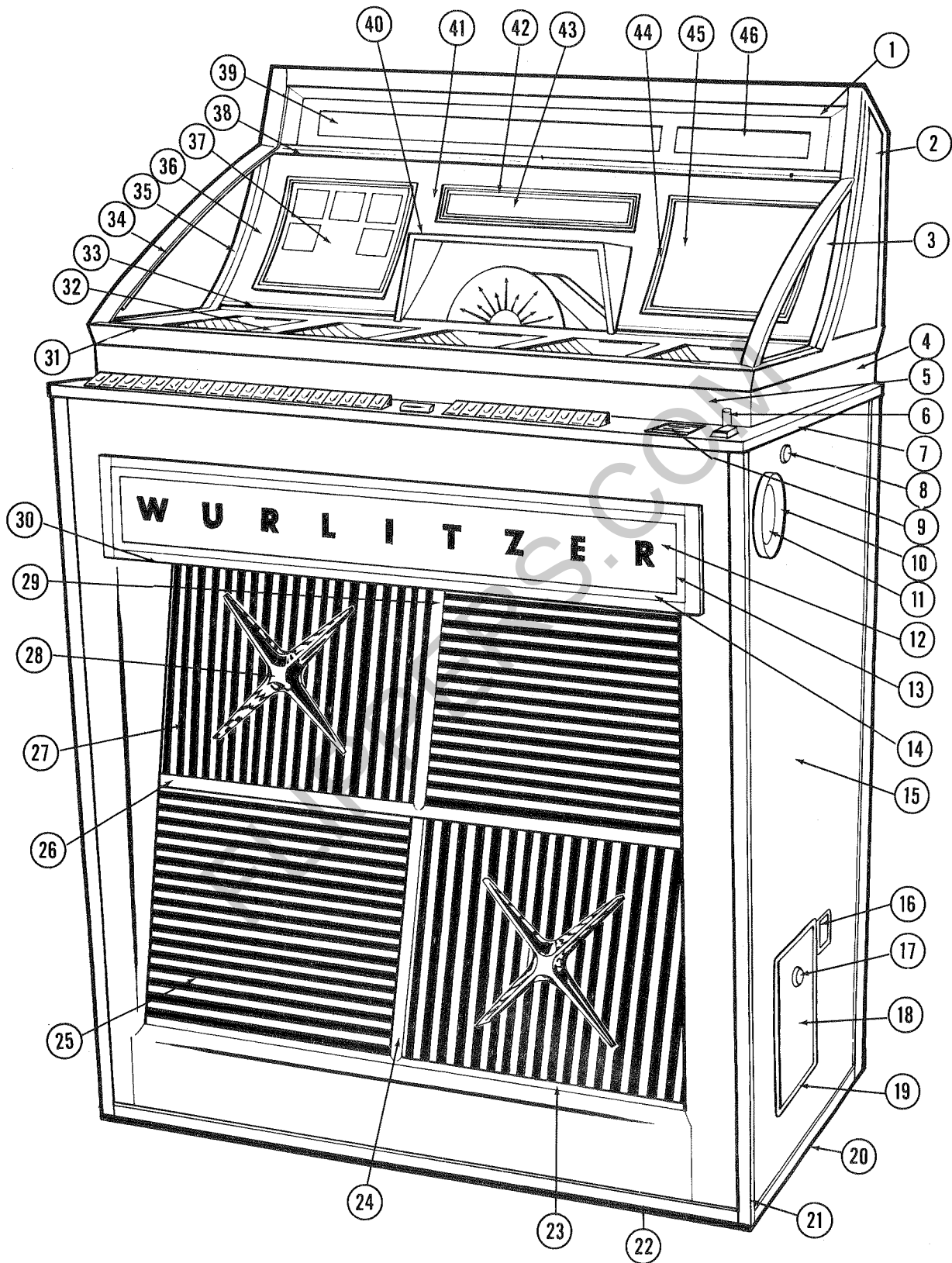


 FIG. 113. TRIM AND MOUNTING - FRONT VIEW - 2900

1. Shadow Box Assy.	125355	30. Light Diffuser & Paint Assy.	125496
Glass, Shadow Box	125242	31. Glass Clamp, Lower	125172
2. Inlay & Stud Assy., R.H. 2900-2910	125482	32. Separator, Program Holder	
Inlay & Stud Assy., R.H.		2900	2910
2900A-2910A	126235	A1-C0	125367
Inlay & Stud Assy., L.H. 2900-2910	125483	B1-G0	125369
Inlay & Stud Assy., L.H.		F1-L0	125370
2900A-2910A	126236	K1-Q0	125371
Speed Clip	126454	P1-U0	125372
3. Glass, Side	125238	T1-V0	125368
4. Casting, Door Frame, R.H.	124979	Ivory, A1-A0	126242A
Casting, Door Frame, L.H.	124980	Red, A1-A0	125509
5. Casting, Door Frame, Bottom	124978	White, A1-A0	126242
6. Reject Button	125094	Ivory, B1-C0	126244A
Retaining Ring	73724-43	Red, B1-C0	125513
Washer, Rubber	126352	White, B1-C0	126244
7. Moulding, Side, R.H.	125159	Ivory, D1-E0	126245A
Moulding, Side, L.H.	125160	Red, D1-E0	125511
8. Lock Assy.	120718	White, D1-E0	126245
Pin & Actuator Assy., Lock	125223	Ivory, F1-G0	126246A
9. Coin Denomination Label, Standard	126061	Red, F1-G0	125512
Coin Denomination Label, Top Tunes	125934	White, F1-G0	126246
Coin Denomination Label, L.P.	125973	Ivory, H1-J0	126247A
Coin Denomination Label, 5¢ Play	125726	Red, H1-J0	125514
10. Casting, Medallion	124982	White, H1-J0	126247
11. Medallion	120515	Ivory, K1-K0	126243A
12. Glass, Service Door 2900-2910	125492	Red, K1-K0	125510
Glass, Service Door 2900A-2910A	126175	White, K1-K0	126243
Tape	121999	33. Extrusion, Door, Lower	124993
13. Panel & Mounting Bracket Assy.	125270	34. Extrusion, Glass Clamp	125173
14. Extrusion & Pin Assy.	125495	35. Extrusion, Door Frame	124994
15. Vinyl Laminate, Kashmir Walnut,		36. Door Glass	125491
48" x 48", 2900-2910	126090	37. Album Cover, Clear	126114
Vinyl Laminate, Blond Walnut,		Album Retainer Assy.	125609
48" x 48", 2900A-2910A	126313	Miniature Album Cover Set	124852
16. Coin Return Cup	68192	Retainer, Display Sign	125390
17. Lock & Key, Cash Box Door	118412	Spring Clip, Upper	125392
18. Coin Box Door 2900-2910	122109	Spring Clip, Lower	125391
2900A-2910A	126170	38. Extrusion, Upper, Door Glass	124992
Guard	113270	39. Display Sign, Wurlitzer	123895
Coin Bag	62670	Insert, Color Shield, Blue	123971
19. Frame, Cash Box Door 2900-2910	122107	Light Diffuser	126346
2900A-2910A	126171	Retainer, Display Sign, Upper	125502
20. Lower Moulding, Side, R.H.	125154	Retainer, Display Sign, Lower	125503
Lower Moulding, Side, L.H.	125155	40. Canopy 2900-2910	125356
21. Moulding, Corner, R.H.	125157	2900A-2910A	126174
Moulding, Corner, L.H.	125158	41. Background 2900-2910	125413
22. Lower Moulding, Front	125156	2900A-2910A	126189
23. Cove Moulding	125161	42. Window, Stereo	125401
24. Moulding, Lower	125153	43. Escutcheon, Stereo	125507
25. Grille Screen (2)	125376	Light Diffuser	125508
26. Moulding, Center	125151	44. Window, Display Sign (2)	125387
27. Grille Screen, With Hole (2)	125375	45. Retainer, Display Sign	125390
28. Casting, Star (2)	124981	46. Display Sign, Features	125604
29. Moulding, Upper	125152	Insert, Color Shield, Amber	126007
		Light Diffuser	126345

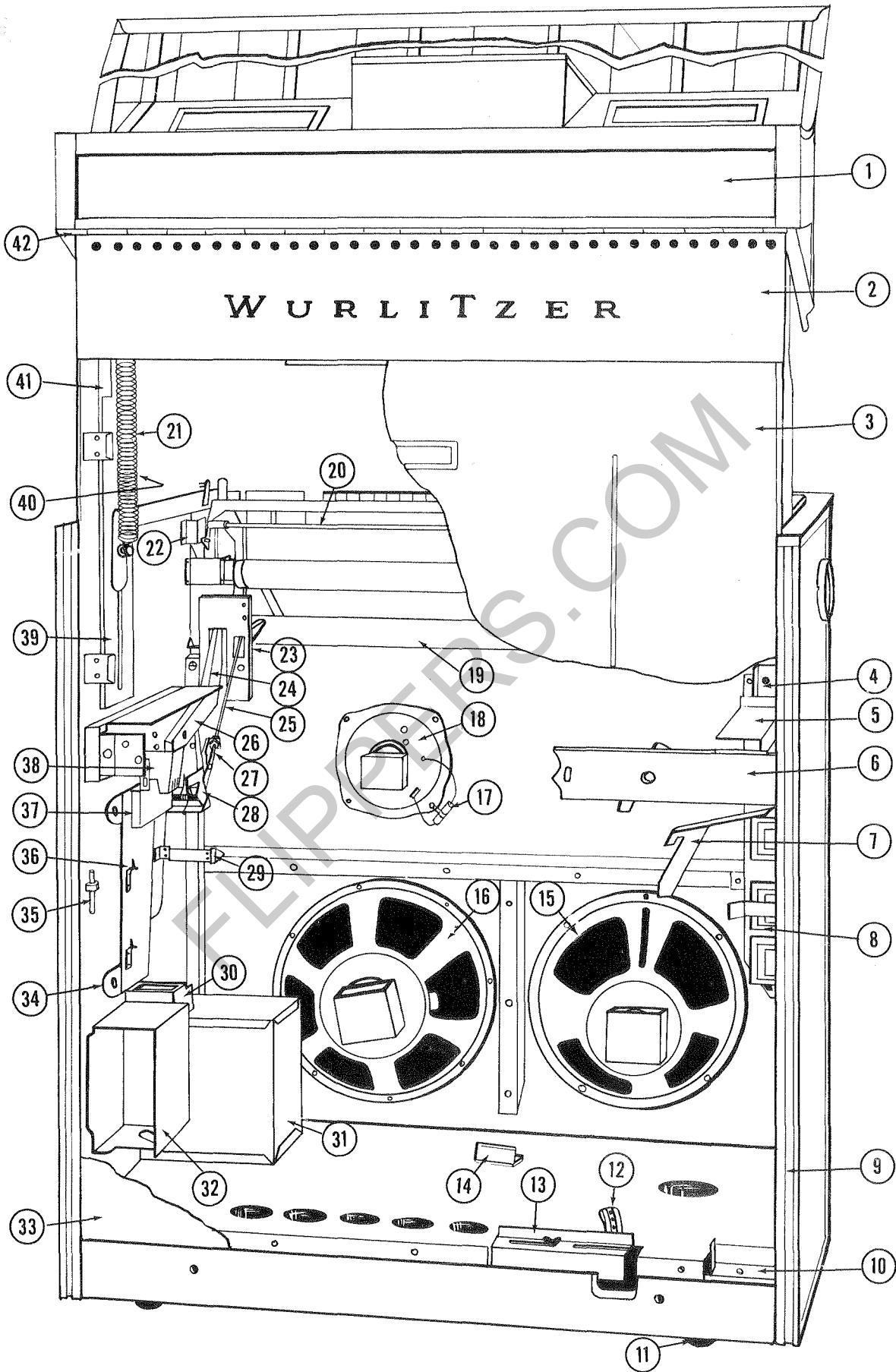


 FIG. 114. TRIM AND MOUNTING - BACK VIEW - 2900

1. Top Casting & Inlay Assy. 2900-2910	125498	22. Bracket & Plate Assy., L.H.	126356
2900A-2910A	126237	Bracket & Plate Assy., R.H.	126357
2. Cross Rail & Silk Screen Assy.		23. Mounting Bracket, Reject Rod	125086
2900-2910	125112	Pivot Bracket, Reject Rod	125087
2900A-2910A	126173	24. Coin Entry Chute Assy.	125095
3. Upper Back & Screw Assy. 2900-2910	126095	25. Reject Rod Assy.	125088
2900A-2910A	126200	26. Coin Chute, Lower	123548
4. Speed Nut (4)	124209	Cover, Lower Coin Chute	123019
5. Mounting Rail & Bracket Assy., L.H.	123472	27. Lever & Bracket Assy.	120799
Mounting Rail & Bracket Assy., R.H.	123473	28. Pin & Actuator Assy.	120964
6. Back Rail Assy. 2900-2910	125906	Shaft	68300
2900A-2910A	126222	Spring	122413
7. Heat Shield	125905	Retaining Ring (2)	73724-25
8. Ballast (3)	123950	29. Spring & Catch Assy.	120959
Socket, 4 Circuit	122650	30. Coin Return Chute & Baffle Assy.	125444
Cap, 4 Circuit	122649	31. Coin Bag Housing	125100
9. Extrusion, Rub Rail, L.H.	124987	32. Box Assy. Coin Register Mechanism	112069
Extrusion, Rub Rail, R.H.	124986	Grommet (3)	49884
10. Guide Plate Assy.	123485	33. Lower Back Door Assy. 2900-2910	123667
Back Plate & Guide Bracket Assy.	123483	2900A-2910A	126169
11. Caster	125385	Lock Assy.	122322
Socket, Caster	125386	34. Mounting Plate	124223
12. Harness Clamp	73802-7	Grommet (4)	49884
13. Cable Retainer	123601	Spacer (4)	122944
Thumb Screw	119079	35. Centering Shaft	69247
14. Clamp, Junction Box	49932	36. Mounting Plate & Mounting Bracket Assy.	122543
15. Speaker, 12" P.M., 8 ohms	117754	37. Mounting Bracket, Upper	120950
16. Speaker, 12" P.M., 16 ohms	120777	38. Lower Coin Chute Assy.	68552
17. Capacitor, 4 Mfd., Non Polarized	74981	39. Guide Assy. Fall Support, L.H.	125124
18. Speaker, 6" P.M., 8 ohms	124121	Guide Assy. Fall Support, R.H.	125123
19. Fluorescent Lamp, 25W., 28" (3)	122411	40. Spring, Fall Support Stop (2)	123520
Socket	122743	41. Fall Support & Pin Assy.	125129
Starter, FS25	57365	Shoulder Screw, Fall Support	125132
Socket, Starter	53674	42. Hinge	125110
20. Lock Levers & Shaft Assy.	125226	43. Lock Catch, L.H. (See Fig. 112)	125107
Spring	119426	Lock Catch, R.H. (See Fig. 112)	125106
21. Spring, Fall Support Return,			
7-5/8" Free Length	126280		

COMBINED NUMERICAL PARTS LIST

NOTE: ALL PARTS FOR MODEL 2900A & 2910A ARE IDENTIFIED BY ().

Part No.	Description	Page No.	2900	2910
487	Washer	45	x	x
665	Taper Pin, 4/0	57	x	x
984	Key, Loudness Control	62	x	x
10964	Socket, 8 Prong	50	x	x
13037	Receptacle, 2 Pole	62	x	x
16607	Plug, 6 Prong	52	x	x
16610	Cap	49	x	
23355	Cotter Pin	45	x	x
25358	Ball Bearing	61	x	x
27787	Washer	67	x	x
30495	Socket, 4 Prong	47	x	x
32881	Socket, 6 Prong	47	x	x
35745	Thumb Screw	42	x	x
38492	Socket, 11 Prong	49	x	x
38493	Plug, 11 Prong	51	x	x
42120	Washer	58		x
42868	Adjustment Cam	6	x	x
46602	Fuse Mounting Strip	51	x	x
48501	Plug, 11 Prong	48	x	
49884	Grommet, Vibration Absorbtion	71	x	x
49932	Clamp, Junction Box	71	x	x
50494	Washer	54	x	x
51822	Washer	55	x	x
52808	Spacer, Yoke	59	x	x
53541	Washer	43	x	x
53674	Socket, Starter	71	x	x
53774	Conical Spring, Chassis Mount, Front, Red Dot	57	x	x
54246	Bumper	58	x	x
56530	Washer	31	x	x
56628	Stop Bracket	8	x	x
56713	Release Lever, Stud & Spacer Assembly	45	x	x
57107	Spring	62	x	x
57110	Spring, Selector Latch Pin	47		x
57129	Spring, Letter Latch	45	x	x
57365	Fluorescent Starting Switch FS25	71	x	x
58255	Actuator, Nylon Tip	59	x	x
58781	Cancel Spring	43	x	x
58898	Socket, 11 Prong	49	x	
59280	Thumb Screw	51		x
59393	Shaft, Tone Arm	55	x	x
59394	Pivot Screw, Tone Arm	52	x	x
59396	Bumper, Record Guide	56	x	x
59400	Shaft	55	x	x
59411	Bushing, Trip Switch	52	x	x
59415	Pulley, Turntable Clamp	29	x	x
59425	Track, Record	19	x	x
59440	Washer, Thrust Bearing	55	x	x
59456	Flywheel, Turntable	54	x	x
59470	Hex Nut, Turntable Shaft, 7/16-20	31	x	x
59513	Cancel Lever, Hub & Roller Assembly	16	x	x
59537	Pawl Assembly	59	x	x
59546	Groove Pin	56	x	x
59584	Spring, Selector Drive Clutch	59	x	x

Part No.	Description	Page No.	2900	2910
59599	Link & Lever Assembly, Record Arm	17	x	x
59606	Spring	55	x	x
59612	Spring, Friction Drive	59	x	x
59615	Spring, Trip Switch	52	x	x
59626	Strap & Spring Assembly, Friction Drive	59	x	x
59631	Cancel Casting	59	x	x
59637	Ball Race, Main Cam Shaft	59	x	x
59641	Washer, Thrust Bearing, Main Cam	59	x	x
59647	Washer, Steel	59	x	x
59654	Ball Bearing, Selector Shaft.	59	x	x
59655	Felt Washer	59	x	x
59673	Washer.	53	x	x
59679	Ball Race, Tone Arm Shaft	55	x	x
59688	Lever Assembly, Record Clamp	29	x	x
59704	Mounting Bracket & Roller Assembly.	18		x
59710	Spring	26	x	x
59719	Idler Pulley & Bracket Assembly	58	x	x
59722	Hub & Lever Assembly, Tone Arm Release	30	x	x
59734	Clamp, Record Holder	58	x	x
59735	Idler Pulley	29	x	x
59844	Bracket & Roller Assembly	57	x	
59864	Washer, Thrust	31	x	x
59867	Ball Race	31	x	x
59869	Shaft, Record Guide Pivot	56	x	x
59871-A	Cable Assembly, Tone Arm & Record Clamp	29	x	x
59881	Sleeve, Brush Cable	52	x	x
59891	Sleeve, Record Clamp Cable	30	x	x
59892	Pivot Casting, Record Guide	56	x	x
59894	Spring, Playmeter Actuating Arm	59	x	x
59900	Insulator	52	x	x
59908	Spring Pin, Pivot Casting	56	x	x
59911	Plate & Ball Bearing Assembly	55	x	x
60519	Bracer Rod	58	x	x
60574	Grommet	51	x	x
60575	Cup Washer	51	x	x
60626	Pivot Arm & Roller Assembly	18		x
60655	Switch	61	x	x
60657	Mounting Bracket & Pin Assembly	18		x
60658	Mounting Bracket & Roller Assembly	58		x
60677	Spring, Roller Assembly	58		x
60711	Guide Tip, L.H.	60		x
60882	Rubber Mount, T.T. Drive Motor	53	x	x
60912	Bulk Cable, Tone Arm Brush	29	x	x
61004-A	Teflon Shim Washer, Stepper Ratchet Shaft	50	x	x
61059	Spring, Conical, Chassis Mount, Yellow Dot	57	x	x
61111	Spring Pin	25	x	x
61484	Guide Tip, R.H.	60		x
61574	Mounting Bracket & Idler Pulley	57	x	x
61850	Guide, Selector Mounting Stud	15		x
61857	Socket, Fustat	51	x	x
61858	Fustat, 3 Ampere	51	x	x
62145	Spring, Coin Selector	43	x	x
62604	Title Strips, Double	67	x	x
62670	Coin Bag Assembly	69	x	x
62761	Actuator Arm Assembly, Mute & Play Switch	23	x	x
62768	Cam Lobe, Mute & Play Switch	23	x	x

Part No.	Description	Page No.	2900	2910
62769	Stop Plate, Mute & Play Switch Actuator Arm	22	x	x
62773	Spring, Mute & Play Switch Actuator	11	x	
62792	Main Cam & Bushing Assembly	17	x	x
63692	Washer, Phosphor Bronze	43	x	x
63731	Shim, Metal, Turntable Shaft	31	x	x
63732	Washer, Fiber, Turntable Shaft	31	x	x
64423	Latch, Tone Arm	27	x	x
64512	Clamping Plate	31	x	x
64513	Screw, Turntable Sleeve, 1/4"-28	31	x	x
64520	Sleeve & Bushing Assembly	31	x	x
64595	Insulator	47		x
64602	Solenoid, Selector	12		x
64630	Roller Assembly.	47		x
64649	Stop Pivot, Selector	47		x
64766	Washer, Selector Pin Solenoid	48	x	
64773	Spring, Stop Arm	47		x
64780	Spring, Solenoid	48	x	
64783	Spring & Plug Assembly.	12		x
64981	Mounting Bracket & Switch Assembly, Letter Series	45	x	x
64982	Mounting Bracket & Switch Assembly, Number Series	45	x	x
65009	Pawl, Stud & Spacer Assembly, Letters	45	x	x
65096	Spring, Turntable Release Lever	52	x	x
65516	Pin, Release Lever Stop	16	x	x
65526	Stop, Guide Tip	17	x	
65548	Connector Bracket, Carrier	57	x	
65730	Guide Tip, R.H.	17	x	
65731	Guide Tip, L.H.	17	x	
65801	Plastic Cover, Stepper	50	x	
65805	Lever, Record Play Counter	60	x	x
65809	Spring, Selector Crank	16	x	x
65812	Spring, Guide Tips	59	x	
65881	Record Actuator Arm & Shaft, L.H.	59	x	
65883	Record Actuator Arm & Shaft, R.H.	59	x	
65885	Bracket & Roller Assembly, L.H.	18	x	
65886	Bracket & Roller Assembly, R.H.	57	x	
65890	Back Stop Pawl Assembly	57	x	
65908	Record Holder Assembly	57	x	
65947	Pin, Solenoid Shaft	45	x	x
65952	Switch Assembly	11	x	x
65958	Spring, Record Lift Arm Centering	18	x	
65986	Stud, Roller, Lift Arm Adjustment	18	x	
65989	Roller, Lift Arm Guide	18	x	
66065	Link, Solenoid	43	x	x
66069	Stop Bracket, Pawl	7	x	x
66070	Eyelet	43	x	x
66071	Spring, Cancel	43	x	x
66072	Spring, Solenoid Return	43	x	x
66074	Spring, Accumulator Wheel	43	x	x
66081	Key Switch & Bracket Assembly	5	x	x
66127	Pin & Pawl Assembly	6	x	x
66132	Stop Lever & Spring Assembly	2	x	x
66182	Plate, Lift Arm Guide	17	x	
66186	Contact Plate Assembly.	12	x	x
66580	Flanged Washer, Main Cam Shaft	59	x	x
67464	Line Cord Assembly	62	x	x
67920	Rotating Plate, Selector	48	x	

Part No.	Description	Page No.	2900	2910
67926	Rocker, Rotating Plate	10	x	
67927	Wobble Ring	11	x	x
67928	Support Casting, R.H.	59	x	
68192	Coin Return Cup Casting	69	x	x
68276	Mounting Casting, Stop Solenoid	10	x	
68290	Guide Plate, Record Lift Arm	59	x	
68300	Shaft, Actuator Assembly	71	x	x
68375	Record Guide & Bracket Assembly, R.H.	56	x	x
68376	Record Guide & Bracket Assembly, L.H.	56	x	x
68483	Sleeve & Bushing Assembly, Selector Crank	61	x	
68496	Plunger, Selector Coil Solenoid	10	x	
68521	Tapping Plate	59	x	
68552	Lower Coin Chute Assembly	2	x	x
68558	Shaft, Selector Crank Release	16	x	
68559	Actuator Arm & Hub Assembly, Loading	16	x	x
68561	Bracket & Roller Assembly	48	x	
68582	Contact Plate Assembly	61	x	
68594	Solenoid, Selector, Letters	48	x	
68608	Plunger, Stop Solenoid, Selector	48	x	
68617	Solenoid, Selector Stop, No. 0	10	x	
68650	Spacer	11	x	
68656	Roller, Guide	48	x	
68657	Stud, Guide Roller	48	x	
68700	Support Casting, L.H.	59	x	
68717	Gear & Hub Assembly, Pinion	10	x	
68755	Spring, Selector, Rocker	48	x	
68757	Guide Bracket, L.H., Selector Support Casting	13	x	
68758	Guide Bracket, R.H., Selector Support Casting	13	x	
68759	Guide Bracket, L.H., Selector Casting	13	x	
68760	Guide Bracket, R.H., Selector Casting	13	x	
68770	Cancel Switch	62	x	x
68774	Spring, Kickoff	61	x	x
68799	Silk Screen & Support Plate Assembly	14	x	
68804	Solenoid, Selector Stop, No. 1	10	x	
68920	Terminal Strip	50	x	x
69089	Plug, 4 Prong, Tone Arm	52	x	x
69090	Socket, 4 Prong, Min.	55	x	x
69246	Stud, Selector	48	x	
69247	Centering Shaft	13	x	x
69659	Stud, Eccentric, Guide Roller	48	x	
69839	Insulator, Switch	48	x	
69936	Slug Rejector, 5-10-25-50	42	x	x
70684-2	Resistor, 310 ohm, 5W.	49	x	x
71217-14	Capacitor, .01 Mfd., 400 Volts	50	x	x
71493-22	Screw, 6-32 x 1/4", Hex Hd.	24	x	x
71493-37	Screw, 8-32 x 7/16", Hex Hd.	29	x	x
71493-39	Screw, 8-32 x 5/8", Hex Hd.	7	x	x
71499	Capacitor, 250 Mfd., 50 Volts	51		x
71588-17	Rectifier	63	x	x
71588-18	Rectifier, 5A.	62	x	x
71590-22	Fuse, 3 Amp.	62	x	x
71590-27	Fuse, 5 Amp.	62	x	x
71590-33	Fuse, 8 Amp.	62	x	x
71590-48	Fuse, 15 Amp.	62	x	x
71591-6	Fuse, Slow Blo, 5/10 Amp.	50	x	x
71591-10	Fuse, Slow Blo, 8/10 Amp.	47	x	x

Part No.	Description	Page No.	2900	2910
71591-13	Fuse, Slow Blo, 1-1/4 Amp.	33	x	x
71816	Capacitor, 500 Mfd., 50 Volts	50	x	x
71878-6	Strain Relief	43	x	x
71887-2	Resistor, 25 ohm, 5W.	51	x	x
72160-32	Resistor, 47 ohm, 1/2W.	64	x	x
72474-32	Resistor, 560 ohm, 2W.	47		x
72986-2	Resistor, 50 ohm, 5W.	50	x	x
73099-240	Capacitor, .5 Mfd., 400 Volts	51	x	x
73425-24	Capacitor, .22 Mfd., 400 Volts	66	x	x
73502-95	Screw, 10-32 x 1", R. Hd.	20	x	x
73502-99	Screw, 10-32 x 1-3/4", R. Hd.	29	x	x
73503-25	Screw, 4-40 x 3/8", R. Hd.	57	x	
73503-71	Screw, 6-32 x 5/8", R. Hd.	7	x	x
73503-91	Screw, 8-32 x 3/4", R. Hd.	18	x	
73503-95	Screw, 8-32 x 1-1/4", R. Hd.	21	x	x
73511-29	Screw, 8-32 x 3/16", Socket Head	16	x	x
73533-1	Screw, 4-40 x 3/16", R. Hd.	6	x	x
73533-2	Screw, 4-40 x 1/4", R. Hd.	32		x
73533-3	Screw, 4-40 x 5/16", R. Hd.	19	x	x
73533-7	Screw, 4-40 x 5/8", R. Hd.	59	x	
73533-21	Screw, 6-32 x 3/16", R. Hd.	7	x	x
73533-22	Screw, 6-32 x 1/4", R. Hd.	5	x	x
73533-23	Screw, 6-32 x 5/16", R. Hd.	53	x	x
73533-24	Screw, 6-32 x 3/16", R. Hd.	5	x	x
73533-28	Screw	63	x	x
73533-34	Screw, 8-32 x 1/4", R. Hd.	8	x	x
73533-35	Screw, 8-32 x 5/16", R. Hd.	9	x	x
73533-38	Screw, 8-32 x 1/2", R. Hd.	24	x	x
73533-40	Screw, 8-32 x 3/4", R. Hd.	15		x
73533-44	Screw, 8-32 x 1-1/4", R. Hd.	26	x	x
73533-106	Screw, 3-48 x 1/2", R. Hd.	59	x	
73534-14	Screw, 5-40 x 3/8", Binding Hd.	23	x	x
73571-66	Screw, 1/4-20 x 1", Socket Hd.	13	x	
73574-31	Screw, 4-40 x 1", R. Hd.	22	x	x
73574-33	Screw, 4-40 x 1-1/4", R. Hd.	22	x	x
73575-100	Screw, 10-32 x 2", R. Hd.	28	x	x
73586-2	Screw, 2-56 x 3/16", F. Hd.	60		x
73592-20	Screw, 1/2"-8, R. Hd.	64	x	x
73601-3	Nut	63	x	x
73602-77	Nut, 1/2"-20, Hex	48	x	
73604-9	Lock Washer	54	x	x
73606-1	Lock Washer, No. 2, Countersunk	60		x
73607-12	Lock Washer, 7/16", Internal	31	x	x
73607-13	Lock Washer, 1/2", Internal	48	x	
73632-5	Spring Washer	2	x	x
73632-18	Spring Washer	54	x	x
73637-10	Nut	57	x	
73656-74	Screw, 6-32 x 1", R. Hd.	23	x	x
73660-159	Screw, 10-32 x 1", Hex	10	x	
73660-161	Screw, 10-32 x 1-1/4", Hex Hd.	17	x	x
73676-47	Adjusting Screw, 10-32 x 5/16", R. Hd.	20	x	x
73692-49	Screw, 10-32 x 7/16", R. Hd.	12		x
73724-12	Retaining Ring	54	x	x
73724-15	Retaining Ring	58	x	x
73724-18	Retaining Ring	67	x	x
73724-25	Retaining Ring	71	x	x

Part No.	Description	Page No.	2900	2910
73724-31	Retaining Ring	48	x	
73724-43	Retaining Ring	69	x	x
73724-50	Retaining Ring	47		x
73724-87	Retaining Ring	59	x	x
73727-50	Retaining Ring	53	x	x
73727-112	Retaining Ring	59	x	x
73728-25	Retaining Ring	55	x	x
73728-37	Retaining Ring	60	x	x
73776-22	Screw, 6-32 x 1/4", Hex Hd.	64	x	x
73782-6	Roll Pin	64	x	x
73782-32	Roll Pin	48	x	
73782-34	Roll Pin	55	x	x
73782-49	Roll Pin	55	x	x
73782-51	Roll Pin	55	x	x
73782-66	Roll Pin	59	x	x
73782-70	Roll Pin	59	x	x
73782-85	Roll Pin	59	x	x
73782-88	Roll Pin	59	x	x
73785	Lock Nut, 10-32, Hex, Special	17	x	x
73793-86	Screw, 8-32 x 3/4", Hex Hd.	28	x	x
73793-87	Cap Screw, 8-32 x 7/8", Hex Hd.	12		x
73793-88	Cap Screw, 8-32 x 1", Hex Hd.	10	x	
73793-118	Cap Screw, 10-32 x 1/2", Hex Hd.	14	x	
73793-124	Cap Screw, 10-32 x 1-1/2", Hex Hd.	15	x	
73793-125	Cap Screw, 10-32 x 1-3/4", Hex Hd.	15		x
73793-150	Cap Screw, 1/4-20 x 1", Hex Hd.	15	x	x
73793-226	Screw, 10-32 x 5/16", Hex Hd.	30	x	x
73800	Screw, 6-32 x 1-3/8", R. Hd.	23	x	x
73802-7	Harness Clamp	71	x	x
73835-55	Capacitor, 4 Mfd., 250 Volts	51	x	x
73840-42	Capacitor, 20 Mfd., 50 Volts	47		x
73845-32	Capacitor, 50 Mfd., 50 Volts	47	x	x
73846-32	Capacitor, 100 Mfd., 50 Volts	49	x	x
73862	Capacitor, 100 Mfd., 50 Volts	51		x
73865-8	Stop Nut, 10-32, Nylock	27	x	x
73889-620	Capacitor, 150 Mfd., 50 Volts	47	x	x
74264-5	Clamp, Cable	64	x	x
74288-25	Screw, 8-32 x 5/8", R. Hd., Nylon	24	x	x
74288-27	Screw, 8-32 x 1", R. Hd., Nylon	27	x	x
74321-16	Capacitor, .1 Mfd., 600 Volts	49	x	x
74335-22	Screw, 6-32 x 7/16", Truss Hd., Type 23	56	x	x
74402-1	Internal Hair Pin Cotter	48	x	
74407-50	Screw, 5-40 x 3/16", Pan Hd.	29	x	x
74416-22	Screw, 6-32 x 1/4", Pan Hd.	24	x	x
74569-24	Capacitor, .047 Mfd., 400 Volts	49	x	x
74808	Capacitor, 124-149 Mfd., 50 V. A.C.	47	x	x
74817-2	Resistor, 25 ohms, 5W.	63	x	x
74819-2	Resistor, 85 ohms, 5W.	45	x	x
74822-2	Resistor, 150 ohms, 5W.	45	x	x
74959-23	Screw, 4-40 x 1/4", Fl.	63	x	x
74977-14	Screw, 6-32 x 3/8", Bind. Hd.	5	x	x
74981	Capacitor, 4 Mfd., N.P.	71	x	x
76252	Capacitor, Electrolytic.	62	x	x
76253	Capacitor, Electrolytic.	62	x	x
76263	Capacitor, 1200 Mfd.	62	x	x
76266	Clamp	62	x	x

Part No.	Description	Page No.	2900	2910
110077	Spacer	59	x	x
110480	Spring, Kickoff	11	x	x
110557	Switch, Carriage	20	x	x
110558	Switch, Reversing & Start	10	x	
110930	Tip & Mounting Bracket Assembly, Outer	15	x	
110934	Spring, Cancel Arm	16	x	x
110936	Tip & Mounting Bracket Assembly, Inner	15	x	
110937	Switch Lever & Stop Nut Assembly	20	x	x
110939	Actuator Arm & Link Assembly	61	x	
110941	Latch Pin, Selector, Inner	10	x	
110942	Latch Pin, Selector, No. "0"	10	x	
110944	Selector Crank & Bracket Assembly	61	x	
110946	Mounting Plate & Bushing Assembly	20	x	x
111481	Rotating Plate & Rocker Assembly	10	x	
111527	Contacts	63	x	x
111720	Crank & Link Assembly	45	x	x
111816	Lamp, 2 Pin, Miniature	55	x	x
111817	Socket	63	x	x
111913	Motor & Gear Assembly, Selector	48	x	
112069	Box Assembly, Coin Mechanism	71	x	x
112104	Latch Solenoid	45	x	x
112104-1	Plunger, Latch Solenoid	45	x	x
113204	Pivot Casting & Arm Assembly	59	x	
113205	Bracket & Stop Nut Assembly	59	x	x
113210	Reset Lever Assembly, Playmeter	57	x	x
113270	Guard	69	x	x
113299	Actuator Arm Assembly, Transfer Switch	22	x	x
113420	Receptacle, Dual, Single Prong	62	x	x
113527	Cap, 6 Circuit	48	x	
113528	Socket, 6 Circuit	48	x	
113529	Cap, 9 Circuit	63	x	x
113530	Socket	63	x	x
114064	Carrier Ring & Silk Screen Assembly, F2-L1	57	x	
114065	Carrier Ring & Silk Screen Assembly, A1-R2	57	x	
114066	Carrier Ring & Silk Screen Assembly, L2-R1	57	x	
114067	Carrier Ring & Silk Screen Assembly, A2-F1	57	x	
114258	Mounting Plate & Socket Assembly	55	x	x
114324	Plug, 12 Prong	50	x	x
114325	Socket, 12 Prong	47	x	x
114346	Stepper Switch Assembly	50	x	
114346-A	Release Latch Relay	51	x	x
114346-AA	Armature & Pawl Spring	51	x	x
114346-B	Step Magnet	51	x	x
114346-BA	Pawl Only	51	x	x
114346-BB	Armature, Step Magnet	51	x	x
114346-BC	Contact Assembly, Step Magnet	51	x	x
114346-C	Delrin Ratchet Wheel, Numbers	51	x	x
114346-D	Delrin Ratchet Wheel, Letters	51	x	x
114346-E	Contact Plate Assembly, Numbers	50	x	
114346-F	Contact Plate Assembly, Letters	50	x	
114346-G	Contact Arm, Numbers or Letters	50	x	
114346-J	Frame, Contact Plate, Numbers	51	x	x
114346-K	Frame, Contact Plate, Letters	51	x	x
114484	Spring, Tone Arm Pressure	52	x	x
114528	Stepper Switch Assembly	51		x
114528-E	Contact Plate Assembly, 2 Circuit	51		x

Part No.	Description	Page No.	2900	2910
114528-F	Contact Plate Assembly, 4 Circuit	51		x
114528-G	Contact Arm Assembly, 2 Circuit	51		x
114528-H	Contact Arm Assembly, 4 Circuit	51		x
115411	Stop Pin, Rotating Plate	10	x	
115492	Terminal Strip, 5	62	x	x
115660	Tone Arm Stop Pin Assembly	26	x	x
115668	Arm & Rivet Assembly, Selector Shaft	59	x	
115669	Selector Shaft Assembly	20	x	
115684	Casting, Record Holder	57	x	
115765	Switch Lever & Stop Nut Assembly	61		x
115767	Actuator Arm & Link Assembly	61		x
115769	Contact Plate Assembly	61		x
115770	Selector Crank & Bracket Assembly	61		x
115772	Sleeve & Bushing Assembly, Selector Crank	61		x
115776	Shaft, Selector Crank Release	16		x
115782	Stud, Selector Mounting	15		x
115787	Rotating Plate	47		x
115788	Rocker Arm, Long	12		x
115789	Stop Bracket, Selector	12		x
115796	Wobble Plate, Selector	47		x
115798	Adjusting Bracket, Hub & Stop Nut Assembly	47		x
115802	Centering Yoke, Hub & Pin Assembly	47		x
115806	Latch Pin, Selector, Inner	47		x
115807	Latch Pin, Selector, Outer	47		x
115812	Centering Shaft & Plate Assembly	12		x
115821	Spring, Centering Yoke	47		x
115822	Guide Plate, Centering Yoke	47		x
115823	Guide, Centering Yoke	47		x
115824	Stop, Centering Yoke	47		x
115825	Fall Support Assembly	51		x
115831	Spacer, Fall Support	51		x
115832	Spring & Clip Assembly	51		x
115856	Chassis Frame Casting & Plate Assembly	60		x
115862	Stop Arm & Rivet Assembly	12		x
115915	Mounting Casting Assembly, Electric Selector	11	x	
115918	Contact Assembly, Override Switch	12		x
115973	Spring, Selector	47		x
115975	Solenoid, Driver	47		x
116023	Chassis Frame Casting & Plate Assembly	59	x	
116732	Tip & Mounting Bracket Assembly, Outer	61		x
116733	Tip & Mounting Bracket Assembly, Inner	61		x
116831	Stud, Eccentric, Lift Arm Guide	17	x	
116833	Roller, Lift Arm Guide	57	x	
116837	Bracket & Roller Assembly, Lift Arm Guide	17	x	
116986	Gear & Ratchet Wheel Assembly	30	x	x
117048	Pulse Relay, Stepper Assembly	51	x	x
117048-A	Contacts	51	x	x
117242	Bracket, Support Plate	14	x	
117243	Tapping Plate	14	x	
117252	Plate & Pin Assembly	59	x	
117254	Bumper, Record Guide	56	x	x
117691	Stud-Pawl, Stud & Spacer Assembly, Numbers	45	x	x
117692	Rocker Arm, Short	12		x
117694	Trip Lever Stud & Spacer Assembly, Letters	45	x	x
117695	Trip Lever & Spacer Assembly, Numbers	45	x	x
117754	Speaker, 12" P.M., 8 ohms	71	x	x

Part No.	Description	Page No.	2900	2910
117823	Cap, 3 Circuit	9	x	x
117824	Socket, 3 Circuit	48	x	
117986	Stop Tab-Mounting Plate & Spring Stud Assembly	12		x
117987	Magnet & Frame Assembly	47		x
118182	Segment, Record Indicator Ring, N6-T5.	57	x	
118183	Segment, Record Indicator Ring, H6-N5.	57	x	
118184	Segment, Record Indicator Ring, C6-H5.	57	x	
118185	Segment, Record Indicator Ring, C5-T6.	57	x	
118199	Segment, Record Indicator Ring, D7-G1.	58		x
118200	Segment, Record Indicator Ring, B1-J7	58		x
118201	Segment, Record Indicator Ring, B4-D8	58		x
118202	Segment, Record Indicator Ring, G4-J8	58		x
118254	Hub, Selector Drive Clutch	59	x	x
118412	Lock & Key Assembly, Cash Box Door	69	x	x
118447	Timing Relay	51		x
118450	Transfer Relay	51		x
118551	Transfer Relay	50	x	
118553	Timing Relay	50	x	
118663	Selenium Rectifier	47		x
118936	Spacer, Record Indicator Ring	57	x	
119079	Thumb Screw.	71	x	x
119080	Brush	29	x	x
119107	Coin Switch Assembly, 5-10-25-50¢	4	x	x
119107-A	Long Paddle	42	x	x
119107-B	Short Paddle	4	x	x
119107-C	Long Shaft	42	x	x
119107-D	Long Spacer	42	x	x
119107-E	Iron Washer	42	x	x
119107-F	Copper Washer	42	x	x
119275	Motor	66	x	x
119409	Cam, Clamp Lever.	54	x	x
119412	Lever, Record Clamp	54	x	x
119413	Shaft, Turntable Pilot Clamp Levers	24	x	x
119414	Cup Washer, Turntable Spring	54	x	x
119420	Tube, Turntable Pilot	54	x	x
119423	Spring, Clamp Arm	24	x	x
119424	Spring, Record Lever	54	x	x
119425	Spring, Turntable Cam	29	x	x
119426	Spring, Turntable Release Arm	26	x	x
119429	Cam, Record Clamp	24	x	x
119432	Cup Washer, Turntable Cam Lever	55	x	x
119433	Pivot Bracket	26	x	x
119439	Plate & Arms Assembly	54	x	x
119441	Turntable Release Arm Assembly	24	x	x
119442	Cam Lever Assembly, Turntable Pilot	24	x	x
119443	Cam Lever & Roller Assembly	29	x	x
119445	Spacer, Pivot Bracket	55	x	x
119498	Spring, Cam Lever	55	x	x
119574	Splice Plate, Record Carrier Ring	58		x
119584	Collar, Shaft, Tone Arm	55	x	x
119784	Switch Assembly, Lock Coil	26	x	x
119785	Switch, Toggle	16	x	x
119793	Support Bracket & Spring Assembly	24	x	x
119824	"O" Ring	57	x	
119826	Solenoid Assembly	24	x	x
119845	Switch Assembly	24	x	x

Part No.	Description	Page No.	2900	2910
120067	Spring, Number Latch	45	x	x
120435	Bracket & Stop Nut Assembly	52	x	x
120445	Bracket & Stop Nut Assembly	56	x	x
120451	Gimbal & Stop Nut Assembly	28	x	x
120452	Mounting Casting & Pin Assembly	52	x	x
120515	Medallion	69	x	x
120655	Release Lever & Hub Assembly	16	x	x
120689	Transformer, Low Voltage, 50-60 Cycle	62	x	x
120696	Rectifier & Mounting Bracket Assembly	62	x	x
120708	Switch, Cancel	64	x	x
120718	Lock Assembly, Dome	69	x	x
120777	Speaker, 12" P.M., 16 ohms	71	x	x
120799	Lever & Bracket Assembly	71	x	x
120862	Connecting Link, Volume Control	64	x	x
120863	Spring, Connector	64	x	x
120866	Gear	64	x	x
120871	Spring Retainer	64	x	x
120872	Mounting Bracket Assembly	64	x	x
120880	Motor & Pinion Assembly	64	x	
120950	Mounting Bracket, Upper	71	x	x
120959	Spring & Catch Assembly	71	x	x
120962	Mounting Bracket & Spacer Assembly	42	x	x
120964	Pin & Actuator Assembly	71	x	x
120984	Switch, Remote Loudness Control	64	x	x
120985	Case, Control	64	x	x
120987	Cover, Case	64	x	x
120988	Push Button	64	x	x
120989	Knob	64	x	x
120998	Spring, Clutch	64	x	x
121006	Motor, Mounting Bracket & Wire Assembly	64	x	
121008	Control Case Assembly, Complete	64	x	x
121095	Shift Solenoid	25	x	x
121229	Trip Switch	28	x	x
121235	Terminal Board & Lug Assembly	64	x	x
121249	Bracket & Stop Nut Assembly, Trip Switch	52	x	x
121291	Choke Coil, 150 Uh.	63	x	x
121301	Switch	62	x	x
121319	Plug & Wire Assembly	47	x	x
121337	Adjusting Nut	54	x	x
121338	Adjusting Plate	24	x	x
121559	Standard Record Disc	19	x	x
121584	Plug, 11	49	x	x
121690	Adjusting Bracket, Trip Switch	28	x	x
121763	Contact, Lamp Socket	55	x	x
121809	Fuse Post	47	x	x
121884	Chassis Mounting Plate, Sub Assembly	57	x	x
121901	Selector Button	45	x	x
121911	Support Casting & Bushing Assembly	52	x	x
121923	Selector Shaft Assembly	61		x
121924	Arm & Rivet Assembly	60		x
121941	Tone Arm, Sub Assembly	52	x	x
121944	Cartridge, Stereo	52	x	x
121949	Brush Holder	52	x	x
121950	Arm, Tone Arm Brush	52	x	x
121954	Speed Clip	45	x	x
121965	Felt	52	x	x

Part No.	Description	Page No.	2900	2910
121982	Mounting Bracket, Motor	57	x	x
121983	Program Holder, Center	67	x	x
121984	Program Holder, Sides (4)	67	x	x
121998	Motor & Pinion Assembly	57	x	
121999	Tape	69	x	x
122067	Spacer, Record Indicator Ring	58		x
122071	Record Holder Assembly	58		x
122074	Carrier Ring & Silk Screen Assembly, A1-C6	58		x
122075	Carrier Ring & Silk Screen Assembly, F1-H6	58		x
122076	Carrier Ring & Silk Screen Assembly, C7-E0	58		x
122077	Carrier Ring & Silk Screen Assembly, H7-K0	58		x
122080	Casting, Record Holder	58		x
122081	Plate, Record Holder	20		x
122082	Clip, Spring	58		x
122083	"O" Ring, Record Separators	58		x
122084	Back Stop Pawl Assembly	20		x
122088	Bracket & Roller Assembly	58		x
122093	Pivot Casting & Arm Assembly	60		x
122094	Record Actuator Arm & Shaft Assembly, L.H.	60		x
122095	Record Actuator Arm & Shaft Assembly, R.H.	60		x
122107	Frame, Cash Box Door	69	x	x
122109	Coin Box Door	69	x	x
122113	Pilot, Turntable	54	x	x
122114	Spring, Turntable Pilot	24	x	x
122131	Socket, Relay	49	x	x
122132	Retaining Spring	47		x
122133	Relay, 24 Volts, D.C., White	49	x	x
122322	Lock Assembly, Back Door	71	x	x
122339	Hinge Bracket	62	x	x
122358	Lamp Socket	49	x	
122359	Lamp, No. 303, 28 Volts, .30 Amp.	49	x	
122366	Relay, 24 V.A.C., Red	49	x	x
122372	Plate & Spacer Assembly	47		x
122400	Mounting Bracket, Lock Screw	62	x	x
122401	Lock Screw, Amplifier	62	x	x
122411	Fluorescent Lamp, 25W., 28"	71	x	x
122413	Return Spring, Reject Rod	71	x	x
122427	Spring, Button Release	7	x	x
122436	Casting, Record Guide, Rear	56	x	x
122543	Mounting Plate & Mounting Bracket Assembly	71	x	x
122562	Pivot, Mounting Plate & Spring Catch Assembly	2	x	x
122564	Pickup Cable & Plug Assembly, Tone Arm	52	x	x
122630	Thrust Washer, Selector Crank Arms	61	x	x
122631	Ball Race	61	x	x
122649	Cap, 4 Circuit	71	x	x
122650	Socket, 4 Circuit	47	x	x
122668	Needle, Dual .7 Mil, Sapphire	26	x	x
122681	Motor & Pinion Assembly	58		x
122743	Socket, Fluorescent Lamp	71	x	x
122779	Turntable & Shaft Assembly	24	x	x
122822	Stud	30	x	x
122834	Angle & Guard Assembly, Coin Switch	42	x	x
122840	Stop Bracket, Track	19	x	x
122944	Spacer	71	x	x
123019	Cover, Lower Coin Chute	71	x	x
123299	Actuator Arm Assembly, Transfer Switch	60		x

Part No.	Description	Page No.	2900	2910
123342	Idler Pulley & Bracket Assembly	29	x	x
123472	Mounting Rail & Bracket Assembly, Chassis Mounting, L.H.	71	x	x
123473	Mounting Rail & Bracket Assembly, Chassis Mounting, R.H.	71	x	x
123483	Back Plate & Guide Assembly	71	x	x
123485	Guide Plate Assembly	71	x	x
123520	Spring, Latch, Fall Support	71	x	x
123548	Mounting Bracket & Coin Chute Assembly, Lower	71	x	x
123559	Guide Bracket	62	x	x
123601	Cable Retainer	71	x	x
123618	Socket, 5 Prong	43	x	x
123619	Plug, 5 Prong, Miniature	42	x	x
123628	Cancel Wheel & Mounting Plate Assembly	5	x	x
123634	Shaft, Lockout Levers	43	x	x
123635	Pivot Pin, Pawl	43	x	x
123637	Pivot Arm & Cancel Pawl Assembly	6	x	x
123641	Coin Magnet & Bracket Assembly	5	x	x
123643	Lever, Hub & Stud Assembly	5	x	x
123647	Spacer, Latch Lever	43	x	x
123648	Hub & Lever Assembly, Lockout	6	x	x
123650	Accumulator Wheel & Hub Assembly	5	x	x
123657	Indexing Strip & Silk Screen Assembly, 50 Cents	6	x	x
123658	Indexing Strip & Silk Screen Assembly, 25 Cents	6	x	x
123659	Indexing Strip & Silk Screen Assembly, 10 Cents	6	x	x
123660	Back Plate, Coin Mechanism	43	x	x
123663	Bracket, Pivot	42	x	x
123664	Wire & Plug Assembly	2	x	x
123667	Lower Back Door Assembly	71	x	x
123715	Slide Switch	47	x	x
123766	Letter & Silk Screen Assembly, A-E	45	x	x
123767	Letter & Silk Screen Assembly, F-K	45	x	x
123768	Letter & Silk Screen Assembly, L-Q	45	x	
123769	Letter & Silk Screen Assembly, R-V	45	x	
123770	Number & Silk Screen Assembly, 1-5	45	x	x
123771	Number & Silk Screen Assembly, 6-0	45	x	x
123831	Selector Plate & Latch Pin Assembly	9	x	
123832	Selector Plate & Spacer Assembly	48	x	
123895	Display Sign, Upper	69	x	x
123911	Insert, Program Holder, Stars	67	x	
123913	Insert, Program Holder, Top Tunes	67	x	
123915	Insert, Program Holder, Album Music	67	x	
123942	Casting, Record Guide, Front	23	x	x
123943	Plate, Record Guide	23	x	x
123944	Plastic Bearing	24	x	x
123950	Ballast, 25 Watt, 110/60 Cycle	71	x	x
123971	Insert, Color Shield, Blue	69	x	x
123990	Plug & Wire Assembly, Red, Top Tunes Jumper	49	x	x
124002	Switch, Release	32	x	x
124014	Switch, Counter	32	x	x
124015	Switch, Full Cycle	32	x	x
124018	Shoulder Bushing	7	x	x
124031	Actuator Latch Pin, Lower	32	x	
124040	Spacer	7	x	x
124049	Actuator, Latch Pin, Lower	32		x
124073	Actuator & Pin Assembly, T.T.T.	32	x	
124074	Actuator & Pin Assembly, 10 T.T.	32	x	
124075	Actuator & Pin Assembly, 9 T.T.	63	x	

Part No.	Description	Page No.	2900	2910
124076	Actuator & Pin Assembly, 8 T.T.	63	x	
124077	Actuator & Pin Assembly, 7 T.T.	63	x	
124078	Actuator & Pin Assembly, 6 T.T.	63	x	
124084	Trip Lever & Bearing Assembly	63	x	
124086	Spring	63	x	x
124097	Actuator & Pin Assembly, T.T.T.	32		x
124098	Actuator & Pin Assembly, 10 T.T.	32		x
124099	Actuator & Pin Assembly, 9 T.T.	63		x
124100	Actuator & Pin Assembly, 8 T.T.	63		x
124101	Actuator & Pin Assembly, 7 T.T.	63		x
124102	Actuator & Pin Assembly, 6 T.T.	63		x
124108	Trip Lever & Bearing Assembly	63		x
124116	Mounting Plate & Bushing Assembly	61		x
124119	Mounting Plate & Bushing Assembly	61	x	
124121	Speaker, 6" P.M., 8 ohms	71	x	x
124170	Slide & Spring Assembly	32	x	
124171	Slide & Spring Assembly	32		x
124185	Stop Bracket, Lock Screw.	62	x	x
124189	Actuator Arm Assembly	22	x	x
124209	Speed Nut	71	x	x
124223	Mounting Plate, Slug Rejector	2	x	x
124263	Cover, Program Strip, Yellow	67	x	(x)
124279	Plug & Wire Assembly, Special Programmer	49	x	x
124440	Switch Assembly, Coin Mechanism	43	x	x
124453	Contact Hub & Spring Assembly	66	x	x
124454	Contact Plate, A.C.	66	x	x
124455	Contact Plate, D.C.	66	x	x
124473	Switch	5	x	x
124485	Actuator, Mute & Play Switch Assembly.	59	x	x
124485-A	Spring	59	x	x
124485-B	Nylon Washer.	22	x	x
124486	Switch Actuator, Transfer Switch Assembly	59	x	x
124486-A	Spring	59	x	x
124486-B	Washer, Nylon	59	x	x
124487	Spring	53	x	x
124492	Link, Turntable Shift, L.H.	55	x	x
124493	Link, Turntable Shift, R.H.	55	x	x
124495	Drive Wheel.	25	x	x
124497	Crank & Hub Assembly	26	x	x
124502	Bracket	53	x	x
124518	Shaft	53	x	x
124519	Shaft	53	x	x
124520	Felt Washer.	53	x	x
124521	Washer	53	x	x
124523	Bushing	55	x	x
124525	Spring	53	x	x
124526	Spring	53	x	x
124527	Belt	25	x	x
124530	Cup Washer	53	x	x
124537	Stud & Motor Mounting Bracket Assembly	53	x	x
124546	Bearing & Arm Assembly	25	x	x
124550	Light Diffuser, White	45	x	x
124638	Motor & Sleeve Assembly	25	x	x
124814	Mounting Bracket, Upper	25	x	x
124834	Plate	53	x	x
124835	Terminal Bushing	47	x	x

Part No.	Description	Page No.	2900	2910
124852	Miniature Album Cover Set	69	x	x
124925	Solenoid, Cancel	43	x	x
124928	Motor & Worm Assembly	63	x	x
124934	Lever & Roller Assembly, Record Stripper	24	x	x
124943	Flywheel	25	x	x
124978	Casting, Door Frame, Bottom	69	x	x
124979	Casting, Door Frame, R.H.	69	x	x
124980	Casting, Door Frame, L.H.	69	x	x
124981	Casting, Star	69	x	x
124982	Casting, Medallion	69	x	x
124984	Selector Casting	45	x	
124985	Selector Casting	45		x
124986	Extrusion, Rub Rail, R.H.	71	x	x
124987	Extrusion, Rub Rail, L.H.	71	x	x
124992	Extrusion, Upper, Door Glass	69	x	x
124993	Extrusion, Door, Lower	69	x	x
124994	Extrusion, Door Frame	69	x	x
124996	Extrusion, Clamp	45	x	x
124997	Button, Top Tunes	63	x	x
125042	Control Unit Assembly	2	x	x
125086	Mounting Bracket, Reject Rod	71	x	x
125087	Pivot Bracket, Reject Rod	71	x	x
125088	Reject Rod Assembly	71	x	x
125094	Reject Button	69	x	x
125095	Coin Entry Chute Assembly	71	x	x
125100	Coin Bag Housing Assembly	71	x	x
125106	Lock Catch, Door, R.H.	67	x	x
125107	Lock Catch, Door, L.H.	67	x	x
125110	Hinge	71	x	x
125112	Cross Rail & Silk Screen Assembly	71	x	x
125123	Guide Assembly, Fall Support, R.H.	71	x	x
125124	Guide Assembly, Fall Support, L.H.	71	x	x
125129	Fall Support & Pin Assembly	71	x	x
125132	Shoulder Screw, Fall Support	71	x	x
125135	Light Shield, Upper	67	x	x
125136	Light Shield, Lower	67	x	(x)
125151	Moulding, Center	69	x	x
125152	Moulding, Upper	69	x	x
125153	Moulding, Lower	69	x	x
125154	Lower Moulding, Side, R.H.	69	x	x
125155	Lower Moulding, Side, L.H.	69	x	x
125156	Lower Moulding, Front	69	x	x
125157	Moulding, Corner, R.H.	69	x	x
125158	Moulding, Corner, L.H.	69	x	x
125159	Moulding, Side, R.H.	69	x	x
125160	Moulding, Side, L.H.	69	x	x
125161	Cove Moulding	69	x	x
125168	Record Indicator Panel	57	x	x
125172	Glass Clamp, Lower	69	x	x
125173	Extrusion, Glass Clamp	69	x	x
125178	Escutcheon, Select	45	x	x
125179	Light Diffuser	45	x	x
125180	Clip	45	x	x
125199	Counter & Bracket Assembly	45	x	x
125213	Window Blank, Clear	63	x	x
125214	Window Blank, Translucent	63	x	x

Part No.	Description	Page No.	2900	2910
125215	Mounting Bracket Assembly	63	x	x
125216	Pivot Bracket	63	x	x
125218	Bracket & Light Shield Assembly	63	x	x
125221	Switch	63	x	x
125222	Switch, Button Release	45	x	x
125223	Pin & Actuator Assembly, Lock	69	x	x
125226	Lock Levers & Shaft Assembly	71	x	x
125238	Glass, Side	69	x	x
125242	Glass, Shadow Box	69	x	x
125270	Panel & Mounting Bracket Assembly	69	x	x
125276	Insert	63	x	x
125279	Decorative Background & Clip Assembly	52	x	x
125355	Shadow Box Assembly	69	x	x
125356	Canopy	69	x	x
125357	Clamp, Mounting Bracket	45	x	x
125358	Bracket & Stop Nut Assembly	7	x	x
125367	Separator, Program Holder, A1-C0	69	x	
125368	Separator, Program Holder, T1-V0	69	x	
125369	Separator, Program Holder, B1-G0	69	x	
125370	Separator, Program Holder, F1-L0	69	x	
125371	Separator, Program Holder, K1-Q0	69	x	
125372	Separator, Program Holder, P1-U0	69	x	
125373	Bell Crank Assembly, R.H.	53	x	x
125374	Bell Crank Assembly, L.H.	53	x	x
125375	Grille Screen, With Hole	69	x	x
125376	Grille Screen	69	x	x
125385	Caster	71	x	x
125386	Socket, Caster	71	x	x
125387	Window, Display Sign	69	x	x
125390	Retainer, Display Sign	69	x	x
125391	Spring Clip, Lower	69	x	x
125392	Spring Clip, Upper	69	x	x
125401	Window, Stereo	69	x	x
125405	Button & Bracket Assembly	45	x	x
125406	Switch & Bracket Assembly	45	x	x
125413	Background	69	x	x
125425	Support Bracket, R.H.	45	x	x
125426	Support Bracket, L.H.	45	x	x
125444	Coin Return Chute & Baffle Assembly	71	x	x
125451	Extrusion & Paint Assembly, A1-C0	67	x	
125452	Extrusion & Paint Assembly, B1-G0	67	x	
125453	Extrusion & Paint Assembly, F1-L0	67	x	
125454	Extrusion & Paint Assembly, K1-Q0	67	x	
125455	Extrusion & Paint Assembly, P1-U0	67	x	
125456	Extrusion & Paint Assembly, T1-V0	67	x	
125457	Extrusion & Paint Assembly, A1-A0	67		x
125458	Extrusion & Paint Assembly, B1-C0	67		x
125459	Extrusion & Paint Assembly, D1-E0	67		x
125460	Extrusion & Paint Assembly, F1-G0	67		x
125461	Extrusion & Paint Assembly, H1-J0	67		x
125462	Extrusion & Paint Assembly, K1-K0	67		x
125482	Inlay & Stud Assembly, R.H.	69	x	x
125483	Inlay & Stud Assembly, L.H.	69	x	x
125491	Door Glass	69	x	x
125492	Glass, Service Door	69	x	x
125495	Extrusion & Pin Assembly	69	x	x

Part No.	Description	Page No.	2900	2910
125496	Light Diffuser & Paint Assembly	69	x	x
125498	Top Casting & Inlay Assembly	71	x	x
125502	Retainer, Display Sign, Upper	69	x	x
125503	Retainer, Display Sign, Lower	69	x	x
125507	Escutcheon, Stereo	69	x	x
125508	Light Diffuser	69	x	x
125509	Separator, Program Holder, Red, A1-A0	69		()
125510	Separator, Program Holder, Red, K1-K0	69		()
125511	Separator, Program Holder, Red, D1-E0	69		()
125512	Separator, Program Holder, Red, F1-G0	69		()
125513	Separator, Program Holder, Red, B1-C0	69		()
125514	Separator, Program Holder, Red, H1-J0	69		()
125515	Classification Slips, Hit Tunes	67	x	
125516	Classification Slips, Rhythm & Blues	67	x	
125517	Classification Slips, Polkas & Waltzes	67	x	
125518	Classification Slips, Jazz & Novelty	67	x	
125519	Classification Slips, Stereo Albums	67	x	
125520	Classification Slips, Old Favorites	67	x	
125521	Classification Slips, Classical	67	x	
125522	Classification Slips, Country & Western	67	x	
125523	Classification Slips, Music of the Week	67	x	
125524	Classification Slips, Little LP	67	x	
125530	Insert, Program Holder, Upper, Side, White	67		(x)
125530A	Insert, Program Holder, Upper, Side, Ivory	67		x
125531	Insert, Program Holder, Upper, Center, White	67		(x)
125531A	Insert, Program Holder, Upper, Center, Ivory	67		x
125532	Insert, Program Holder, Bottom, Side, White	67		(x)
125532A	Insert, Program Holder, Bottom, Side, Ivory	67		x
125533	Insert, Program Holder, Bottom, Center, White	67		(x)
125533A	Insert, Program Holder, Bottom, Center, Ivory	67		x
125538	Coin Register Mechanism	2	x	x
125582	Switch & Bracket Assembly	7	x	x
125604	Display Sign, Features	69	x	x
125605	Display Sign, Recorded Specialties	65	x	x
125606	Display Sign, Top Album Music	65	x	x
125609	Album Retainer Assembly	69	x	x
125616	Terminal Board, Output	62	x	x
125618	Classification Slips, Sheet	67		(x)
125693	Socket, Transistor	62	x	x
125694	Transformer, Audio Output	62	x	x
125695	Fuse Block	62	x	x
125698	Relay	62	x	x
125699	Loudness Control Wire & Plug Assembly	62	x	x
125700	Loudness Control	62	x	x
125702	Plug, 9 Pin Miniature	62	x	x
125703	Transistor, P. A. & Regulator	62	x	x
125704	Printed Board, Complete	62	x	x
125708	Switch	62	x	x
125709	Switch	62	x	x
125713	Cover & Silk Screen Assembly	62	x	x
125720	Knob	62	x	x
125721	Transistor, Driver	62	x	x
125726	Coin Denomination Label, 5¢ Play	69	x	x
125737	Spring	63		x
125798	Blade	5	x	x
125905	Heat Shield	71	x	x

Part No.	Description	Page No.	2900	2910
125906	Back Rail Assembly	71	x	x
125911	Extrusion & Pad Assembly	45	x	x
125914	Light Diffuser, Red	45	x	x
125917	Selector Switch, Numbers	45	x	
125926	Selector Switch, Numbers	45		x
125934	Coin Denomination Label, Top Tunes	69	x	x
125965	Actuator, Disc & Hub Assembly	63	x	x
125968	Gear, Pinion & Bracket Assembly	63	x	x
125973	Coin Denomination Label, L.P.	69	x	x
125989	Barretters	62	x	x
125992	Insert, Program Holder, Top Tunes	67		x
126000	Insert, Program Holder, Album Music	67		x
126005	Insert, Program Holder, Stars	67		x
126006	Slide Switch	43	x	x
126007	Insert, Color Shield, Amber	69	x	x
126011	Instruction Insert, 50¢, 25¢, 10¢ or 2-5¢	65	x	x
126012	Handle	62	x	x
126013	Instruction Insert, Enjoy Album Music.	65	x	x
126014	Instruction Insert, Records Specially Chosen	65	x	x
126039	Display Sign, Top Tunes	65	x	x
126040	Display Sign, Top Album Music	65	x	x
126041	Instruction Insert, Top Tunes	65	x	
126042	Instruction Insert, Top Album Music	65	x	
126043	Instruction Insert, Top Tunes	65		x
126044	Instruction Insert, Top Album Music	65		x
126047	Display Sign, LP Album Music	65	x	x
126048	Instruction Insert, LP Album Music	65	x	x
126053	Display Sign, Top Tunes & LP Album Music	65	x	x
126061	Coin Denomination Label, Standard	69	x	x
126080	Thumb Screw	45	x	x
126090	Vinyl Laminate, Kashmir Walnut, 48" x 48"	69	x	x
126095	Upper Back & Screw Assembly	71	x	x
126097	Hinge Bracket & Stop Pin Assembly, R.H.	67	x	x
126098	Hinge Bracket & Stop Pin Assembly, L.H.	67	x	x
126105	Slide Catch	67	x	x
126106	Switch, Free Play	45	x	x
126114	Album Cover, Clear	69	x	x
126154	Cover & Channel Assembly	62	x	x
126155	Guard	62	x	x
126162	Insert, Program Holder, Upper, Side, Red	67		()
126163	Insert, Program Holder, Upper, Center, Red	67		()
126164	Insert, Program Holder, Bottom, Side, Red	67		()
126169	Lower Back Door Assembly	71	()	()
126170	Coin Box Door		()	()
126171	Frame, Cash Box Door	69	()	()
126173	Cross Rail & Silk Screen Assembly	71	()	()
126174	Canopy	69	()	()
126175	Glass, Service Door	69	()	()
126181	Insert, Program Holder, Bottom, Center, Red	67		()
126184	Mounting Bracket, Record Indicator Panel	57	x	x
126189	Background	69	()	()
126190	Latch Lever	63	x	
126191	Latch Lever	63		x
126200	Upper Back & Screw Assembly	71	()	()
126222	Back Rail Assembly	71	()	()
126223	Jumper Plug Assembly	47	x	x

Part No.	Description	Page No.	2900	2910
126235	Inlay & Stud Assembly, R.H.	69	()	()
126236	Inlay & Stud Assembly, L.H.	69	()	()
126237	Top Casting & Inlay Assembly	71	()	()
126242	Separator Program Holder, White, A1-A0	69		(x)
126242A	Separator, Program Holder, Ivory, A1-A0	69		x
126243	Separator, Program Holder, White, K1-K0	69		(x)
126243A	Separator, Program Holder, Ivory, K1-K0	69		x
126244	Separator, Program Holder, White, B1-C0	69		(x)
126244A	Separator, Program Holder, Ivory, B1-C0	69		x
126245	Separator, Program Holder, White, D1-E0	69		(x)
126245A	Separator, Program Holder, Ivory, D1-E0	69		x
126246	Separator, Program Holder, White, F1-G0	69		(x)
126246A	Separator, Program Holder, Ivory, F1-G0	69		x
126247	Separator, Program Holder, White, H1-J0	69		(x)
126247A	Separator, Program Holder, Ivory, H1-J0	69		x
126280	Spring, Fall Support Return	71	x	x
126299	Spacer	7	x	x
126313	Vinyl Laminate, Blond Walnut, 48" x 48"	69	()	()
126314	Mounting Bracket & Switch Assembly, Numbers	45	x	x
126327	Program Holder Frame Assembly	67	x	x
126345	Light Diffuser	69	x	x
126346	Light Diffuser	69	x	x
126352	Washer, Rubber	69	x	x
126356	Bracket & Plate Assembly, L.H.	71	x	x
126357	Bracket & Plate Assembly, R.H.	71	x	x
126437	Support	7	x	x
126445	Silicon Heat Sink Compound	62	x	x
126454	Speed Clip	69	x	x
126479	P.A. Module, Complete	62	x	x
126502	Transistor, Driver	62	x	x
126507	Shaft, Link & Lever Assembly, Letters	7	x	x
126510	Shaft, Link & Lever Assembly, Numbers	7	x	x
126521	Connector Link Plate	7	x	x
126550	Connector Link	7	x	
126551	Connector Link	7		x
126916	Selector Switch, Letters	45	x	
126927	Selector Switch, Letters	45		x
650446	Insulator	62	x	x
651058	Transformer, Driver (Optional)	62	x	x

WIRING DIAGRAM COLOR CODE

MODEL 2900 SERIES

2910	2900	SOLID COLOR WIRE	TRACER	2910 - 2900	SOLID COLOR WIRE	TRACER
A1	A	Tan	Brown	39	White	None
A6	B	Red	Brown	40-140	Black	None
B1	C	Orange	Brown	41	Brown	Yellow
B6	D	Yellow	Brown	42	Red	Yellow
C1	E	Lt. Green	Brown	43	Orange	Yellow
C6	F	Lt. Blue	Brown	44	Tan	Yellow
D1	G	Purple	Brown	45	Dr. Green	Yellow
D6	H	Gray	Brown	46	Dr. Blue	Yellow
E1	J	White	Brown	47-147	Purple	Yellow
E6	K	Pink	Brown	48	Gray	Yellow
F1	L	Brown	Black	49	White	Yellow
F6	M	Red	Black	50	Black	Yellow
G1	N	Orange	Black	51	Brown	Green
G6	P	Yellow	Black	52	Red	Green
H1	Q	Lt. Green	Black	53	Orange	Green
H6	R	Lt. Blue	Black	54	Yellow	Green
J1	S	Purple	Black	55	Tan	Green
J6	T	Gray	Black	56	Lt. Blue	Green
K1	U	White	Black	57	Purple	Green
K6	V	Tan	Black	58	Gray	Green
				59	White	Green
1	1	Brown	Orange	60	Black	Green
2	2	Red	Orange	61	Brown	Blue
	3	Tan	Orange	62	Red	Blue
4	4	Yellow	Orange	63	Orange	Blue
5	5	Lt. Green	Orange	64	Yellow	Blue
	6	Lt. Blue	Orange	65	Lt. Green	Blue
	7	Purple	Orange	66	Tan	Blue
	8	Gray	Orange	67	Pink	Blue
	9	White	Orange	68	Gray	Blue
	0	Black	Orange	69	White	Blue
				70	Black	Blue
2910	2900			71	Brown	Purple
				72	Red	Purple
21		Brown	Red	73	Orange	Purple
22		Tan	Red	74	Yellow	Purple
23		Orange	Red	75-175	Lt. Green	Purple
24		Yellow	Red	76	Lt. Blue	Purple
25		Lt. Green	Red	77-177	Tan	Purple
26		Lt. Blue	Red	78	Gray	Purple
27		Purple	Red	79	White	Purple
28		Gray	Red	80	Black	Purple
29		White	Red	81	Brown	White
30-130		Black	Red	82	Red	White
31		Tan	None	83	Orange	White
32		Red	None	84	Yellow	White
33		Orange	None	85	Lt. Green	White
34		Yellow	None	86	Lt. Blue	White
35		Dr. Green	None	87	Purple	White
36		Dr. Blue	None	88	Gray	White
37		Purple	None	89	Tan	White
38		Gray	None	90	Black	White

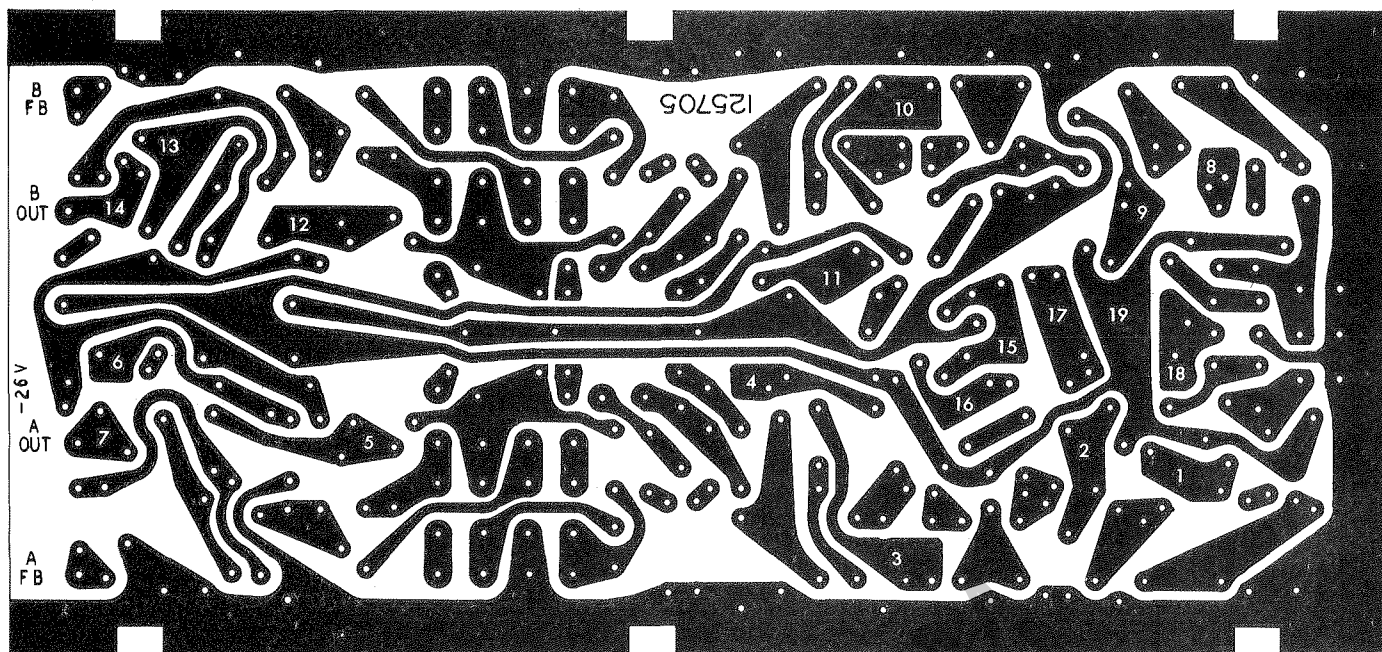
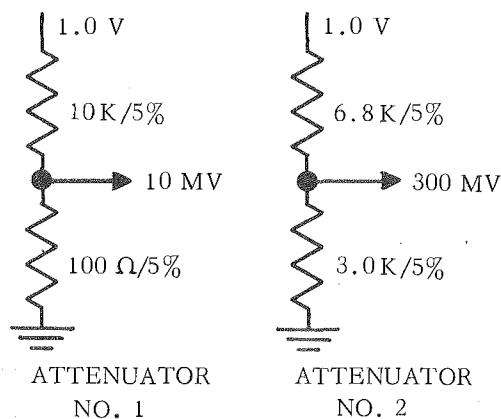


FIG. 123. PRINTED CIRCUIT TEST POINTS

A.C. VOLTAGE MEASUREMENTS

		CONDITION NO.1	CONDITION NO.2	CONDITION NO.3	
PRINTED CIRCUIT BOARD TEST POINTS	1	8	.0040V	.0041V	.12V
	2	9	.0055V	.0056V	.04V
	3	10	.0063V	.0064V	.041V
	4	11	.082V	.077V	.56V
	5	12	.054V	.043V	LOUDNESS TURNED OFF
	6	13	.30V	1.2V	
	7	14	.30V	1.2V	
	15	-	.0015V	.0015V	.01V
	16	-	.27V	.27V	1.7V
	17	-	.27V	.27V	1.7V
	18	-	0	0	-1.7VDC
	P.A. MODULE SOCKET TERMINALS	2	-	.285V	
		8	-	.058V	
		9	-	1.9V	
		10	-	1.95V	

A.C. MEASUREMENTS MADE WITH
 A.C. VTVM RCA WV-76A
 FREQUENCY - 500 TO 1500 CPS
 TONES - MAXIMUM
 BALANCE - MID-POSITION
 INPUTS A&B - PARALLELED



CONDITION #1

10 MV Input or use 1 Volt and Attenuator No. 1 Loudness Full On.

CONDITION #2

Same As Condition No. 1 Except P.A. 3 Amp Fuses Pulled (No Feedback)

CONDITION #3

300 MV Input or use 1 Volt and Attenuator No. 2. Loudness OFF A.L.C. Test

NOTES:

1. A.C. Voltages are shown in chart. Measured from Chassis.
2. Line voltage -117V.
3. K=1000 Ohms ---- Ω = Ohms
4. Channel A&B are identical. Therefore they are assigned complementary values and part numbers.
5. Test points 1 thru 7 for channel A & 8 thru 14 for channel B: are corresponding circuit points and should be compared to each other, both A.C. & D.C. They should be within 10% of the references.

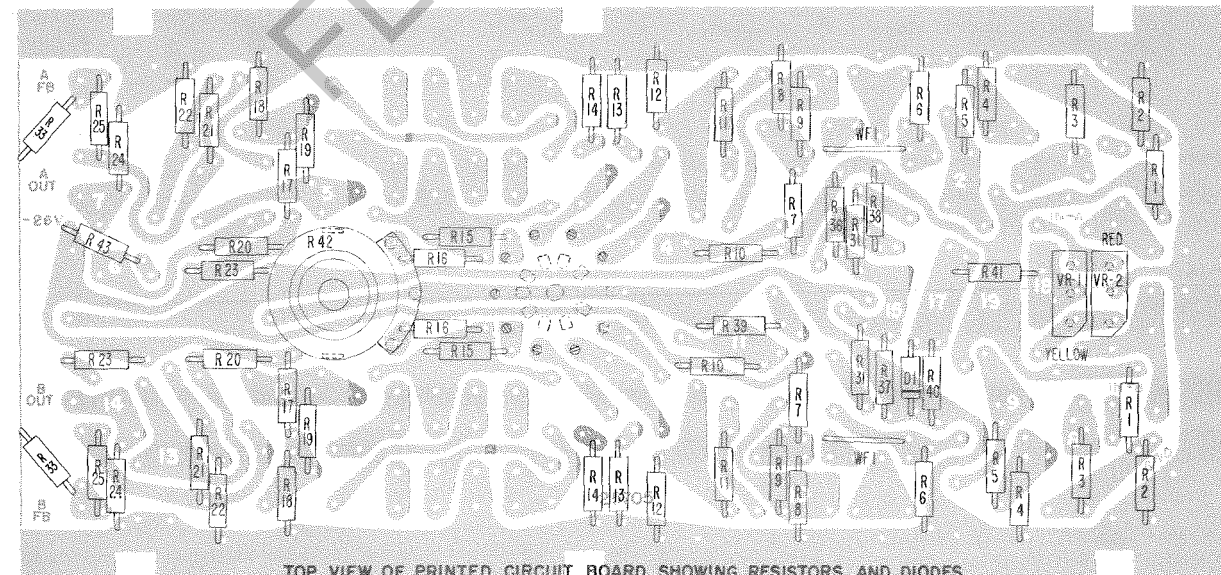
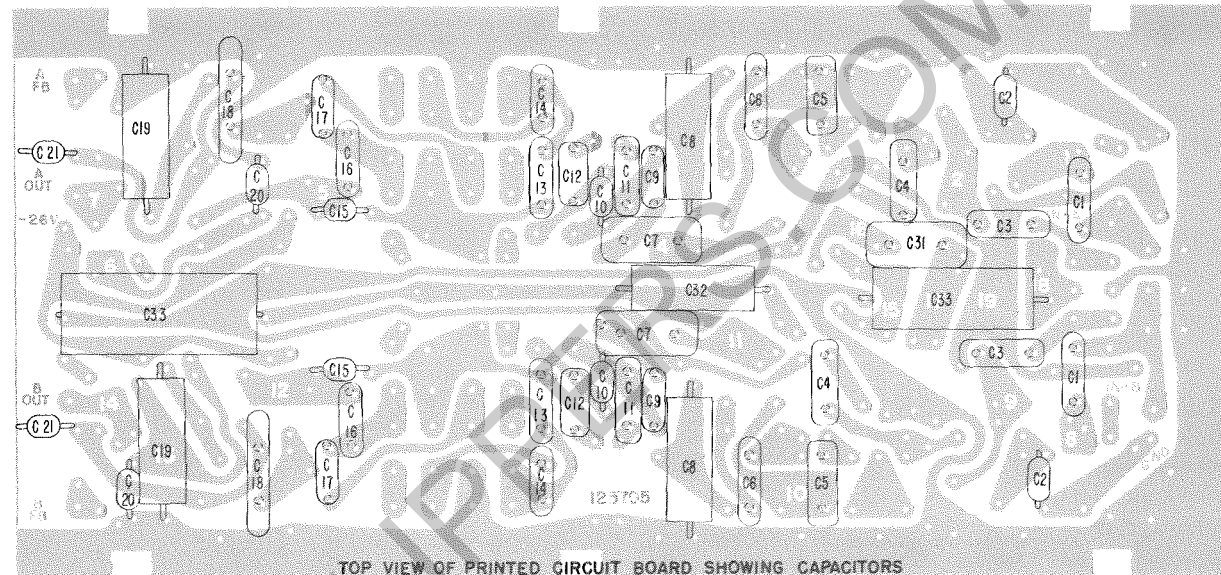
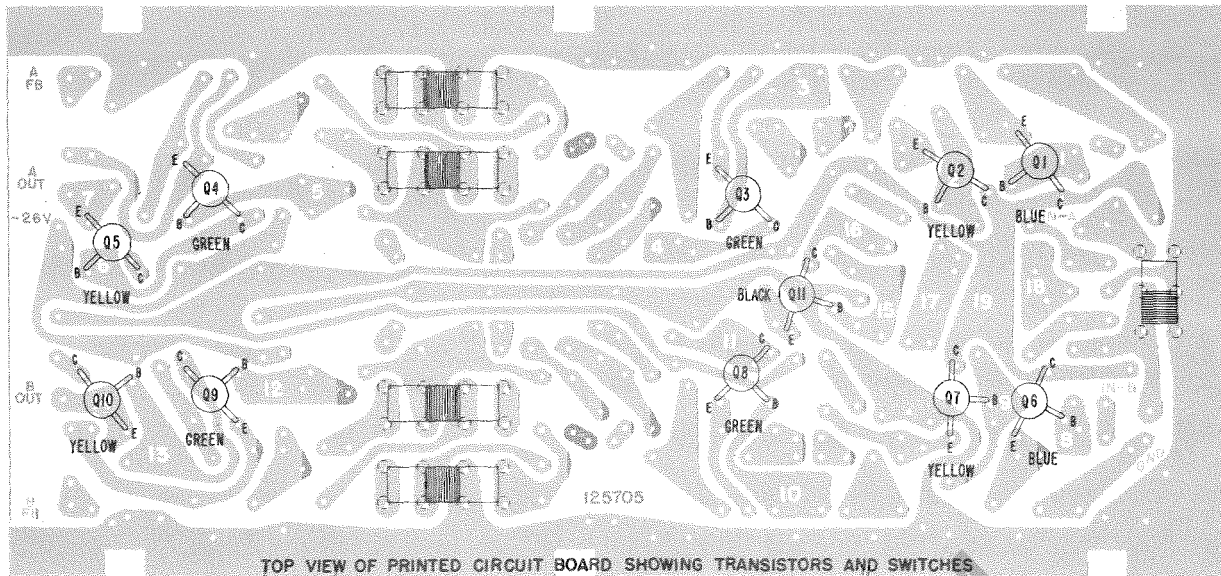


FIG. 124. PRINTED CIRCUIT COMPONENT PARTS

BILL OF MATERIAL 546 AMPLIFIER

ITEM	PART NO.	VALUE	REMARKS ±		ITEM	PART NO.	VALUE	REMARKS
R-1	72244-32	150K	1/2 W.	10%	C-11	76306-11	.12 MFD	MYLAR
R-2	72244-32	150K	1/2 W.	10%	C-12	76306-11	.12 MFD	MYLAR
R-3	72244-32	150K	1/2 W.	10%	C-13	76019-22	.01 MFD	DISC
R-4	72224-32	22K	1/2 W.	10%	C-14	76021-22	.0082MFD	DISC
R-5	72244-32	150K	1/2 W.	10%	C-15	76044-41	.001 MFD	DISC
R-6	72224-32	22K	1/2 W.	10%	C-16	76325-21	.047 MFD	MYLAR
R-7	72240-32	100K	1/2 W.	10%	C-17	76031-31	.0033MFD	DISC
R-8	72222-32	18K	1/2 W.	10%	C-18	74595-1	2.2 MFD	DISC
R-9	72232-32	47K	1/2 W.	10%	C-19	74428-132	25 MFD	6V. ELECT.
R-10	72220-32	15K	1/2 W.	10%	C-20	76040-41	.0015MFD	DISC
R-11	72186-32	560 OHM	1/2 W.	10%	C-21	76059-22	270MMFD	DISC
R-12	72204-32	3.3K	1/2 W.	10%	C-22	73846-11	100 MFD	ELECT. 25V.
R-13	72205-31	3.6K	1/2 W.	5%	C-23	76264	500 MFD	ELECT. 15V..
R-14	72206-32	3.9K	1/2 W.	10%	C-24	76263	1200 MFD	ELECT. 35V.
R-15	72224-32	22K	1/2 W.	10%	C-25	76059-22	270MMFD	DISC.
R-16	72212-32	6.8K	1/2 W.	10%	C-26	76059-22	270MMFD	DISC.
R-17	72240-32	100K	1/2 W.	10%	C-27	76325-21	.047 MFD	MYLAR
R-18	72216-32	10K	1/2 W.	10%	C-28			
R-19	72222-32	18K	1/2 W.	10%	C-29			
R-20	72222-32	18K	1/2 W.	10%	C-30	74432-136	100 MFD	25V.
R-21	72186-32	560 OHM	1/2 W.	10%	C-31	76333-21	.22 MFD	MYLAR
R-22	72204-32	3.3K	1/2 W.	10%	C-32	74428-132	25 MFD	ELECT. 6V.
R-23	72178-32	270 OHM	1/2 W.	10%	C-33	74432-134	100 MFD	ELECT. 16V.
R-24	72198-32	1.8K	1/2 W.	10%	C-34A		1000MFD	
R-25	72224-32	22K	1/2 W.	10%	C-34B	76253	500 MFD	ELECT. 30V.
R-26	74868-2	120 OHM	7 W.	10%	C-34C		500MFD	
R-27	74830-2	560 OHM	5 W.	10%	C-35	76252	3000MFD	ELECT. 50V.
R-28	74482-32	1.8 OHM	2 W.	10%	C-36	74581-22	.47 MFD	MYLAR
R-29	74455-2	270 OHM	5 W.	10%	C-37	74581-22	.47 MFD	MYLAR
R-30	72264-32	1 MEG.	1/2 W.	10%	C-38	74581-22	.47 MFD	MYLAR
R-31	72226-32	27K	1/2 W.	10%	C-39	74581-22	.47 MFD	MYLAR
R-32	72226-32	27K	1/2 W.	10%	C-40	74321-14	.1 MFD	MYLAR
R-33	72216-32	10K	1/2 W.	10%	C-41	74567-27	.033 MFD	1000V.
R-34					C-42	76019-22	.01 MFD	DISC
R-35								
R-36	72252-32	330K	1/2 W.	10%	S-1	125709	D.P.S.T.	MONO-STEREO
R-37	72220-32	15K	1/2 W.	10%	S-2	125708	3 POSITION	TREBLE
R-38	72222-32	18K	1/2 W.	10%	S-3	125708	3 POSITION	BASS
R-39	72196-32	1.5K	1/2 W.	10%	S-4	68770	S.P.S.T.	CANCEL
R-40	72256-32	470K	1/2 W.	10%	S-5	121301	D.P.S.T.	POWER
R-41	72232-32	47K	1/2 W.	10%	T-1	120689	JUNCTION-TRANSFORMER	
R-42	125710	100K	BALANCE		T-2	651058	AUDIO DRIVER	
R-43	72190-32	820 OHM	1/2 W.	10%	T-3	125694	AUDIO OUTPUT	
R-44	72224-32	22K	1/2 W.	10%	F-1	71590-48	15 AMP.	
R-45	72200-32	2.2K	1/2 W.	10%	F-2	71590-33	8 AMP.	
R-46	125700	100K	CONTROL		F-3	71590-27	5 AMP.	
R-47	72168-32	100 OHM	1/2 W.	10%	F-4	71590-33	8 AMP.	
R-48	74900-2	60 OHM	10 W.	10%	F-5	71590-27	5 AMP.	
R-49	72338-32	1.2K	1 W.	10%	F-6	71590-22	3 AMP.	
R-50	74834- 2	820 OHM	5 W.	10%	SR-1	120696	SILICON 18A	
R-51	72288-33	10 OHM	1 W.	20%	SR-2			
					SR-3	71588-18	SILICON 5A	
C-1	76019-22	.01 MFD	DISC		D-1	650845	DIODE	
C-2	74592-1	.22 MFD	3 V. DISC		BR	125989	BULB	BARRETTTER
C-3	76331-21	.15 MFD	MYLAR		VR-1	125711	DIODE DUAL-YELLOW	
C-4	76331-21	.15 MFD	MYLAR		VR-2	125712	DIODE DUAL-RED	
C-5	76323-11	.033 MFD	MYLAR		RY-5	125698	RELAY	
C-6	74594-1	1.0 MFD	3V. DISC					
C-7	76333-21	.22 MFD	MYLAR		Q-1 to 11	126093	LOW SIGNAL TRANS.	
C-8	74428-132	25 MFD	6V. ELECT.		Q-15, 18	125721	DRIVER TRANS.	
C-9	76040-41	.0015MFD	DISC		Q-12, 13	125703	P.A. TRANSISTOR	
C-10	76040-41	.0015MFD	DISC		14, 16, 17			

WARRANTY

The component parts of automatic phonographs and accessory equipment manufactured by the Wurlitzer Company are warranted to be free from defects in material and workmanship and to operate properly under normal use and conditions, as follows:

- (A) Mechanical parts (Excluding coin equipment) for a period of one year from date of delivery by the Distributor to his customer.
- (B) Coin equipment and electrical parts (Including such parts as speakers, volume control assemblies, pick-up assemblies, amplifiers, motors, junction box assemblies, and all wiring) for a period of three months from date of delivery by the Distributor to his customer.
- (C) Cabinets (Subject to the Company's inspection and determination as to defect) for a period of three months from date of delivery by the Distributor to his customer.

The company's liability under this warranty is limited to replacement, free of charge, F.O.B. North Tonawanda, New York, of any part or parts which prove defective within the limitations of said warranty. The Company shall not be liable for damages of any nature due to delayed shipment, or defective parts.

THE WURLITZER COMPANY

NORTH TONAWANDA, N. Y.